

## UV 30 EV Serie A ab 2001 / UV 30 EV Series A since 2001

### Ausstattung Vertikutierer / Equipment Scarifier

|                                      |  |         |                  |         |
|--------------------------------------|--|---------|------------------|---------|
| Typ / Kurzbez. / order code          | Elektro-Vertikutierer UV 30 EV / electro-scarifier |         |                  |         |
| Ausführung für / version for         | International                                      | F       |                  | CH      |
| Geräte - Nr. / article number        | 3630000  | 3630001 | 3630005          | 3630003 |
|                                      |  | UVEL    | (Olympia V Plus) |         |
| Schnittbreite / cutting width        | 30 cm  |         |                  |         |
| Gewicht / weight                     | 18 kg  |         |                  |         |
| Lautstärke / noise level             | 80dB (A)   |         |                  |         |
| Ø Rad vorne/ Ø wheel in the front/   | 20 cm / Ø diameter                                 |         |                  |         |
| Ø Rad hinten/ Ø wheel at the back/   | 20 cm / Ø diameter                                 |         |                  |         |
| Ausführung Räder / version wheels    | PVC, Gleitlager / PVC, ball bearing                |         |                  |         |
| Höhenverstellung / height adjustment | zentral / central                                  |         |                  |         |
| Schnitthöhe (cm) / cutting height    | stufenlos / continuously adjustable                |         |                  |         |
| Antrieb ja/nein / drive yes /no      | nein / no  |         |                  |         |
| Motor - Hersteller / motor producer  | Hanning  |         |                  |         |
| Motor - Nr. WOLF / motor -number     | 1141 070   |         |                  |         |
| Leistung / power                     | 1.100 Watt   |         |                  |         |
| Griffgestänge / handle bar           | rot / red  |         |                  |         |
| Fangkorb / collector box             | TK-VV Art.-Nr. / part No. 3632 060                 |         |                  |         |
| Schalter / switch                    | Bügelschalter / bow-type switch                    |         |                  |         |
| Besonderheiten / special features    | Transportstellung / Transport position             |         |                  |         |

**Achtung:** Instandsetzungen an Elektrogeräten dürfen nur von entsprechenden Fachkräften durchgeführt werden !

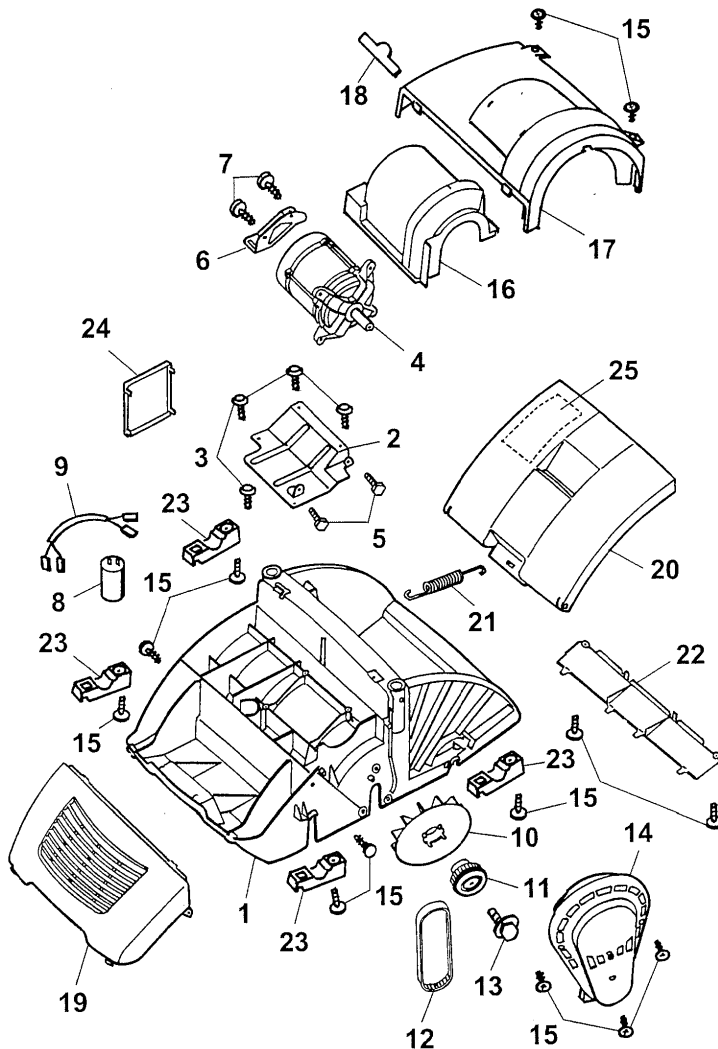
Die Isolationswiderstandsmessung / Schutzleiterprüfung gemäß DIN/VDE 0701 Teil 2 ist **nach jeder Reparatur** vorzunehmen.

**Attention:** Repairs on electrical appliances have to be led through only by competent specialists !

The measurement of the insulating resistance / protective conductor examination according to DIN/VDE 0701 part 2 has to be carried **out after each repair!**

Ⓓ UV 30 EV 3630 000 Chassis, Motor

ⒼⒷ UV 30 EV 3630 000 chassis, motor



A14

**UV 30 EV 3630 000 Chassis, Motor**

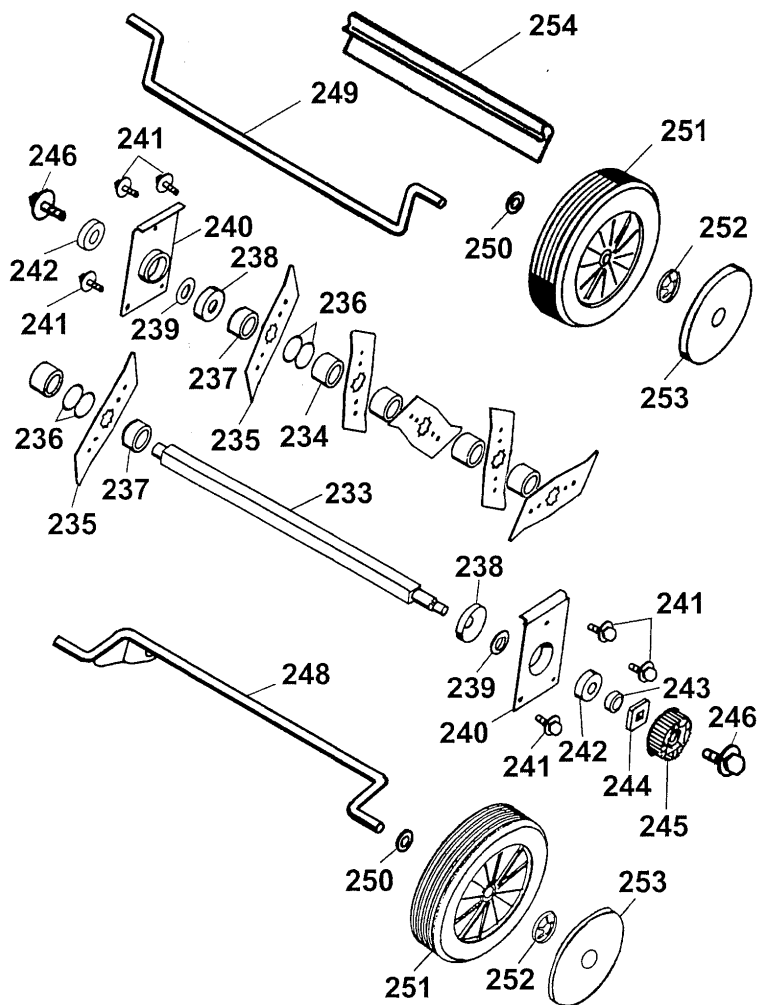
**UV 30 EV 3630 000 chassis, motor**

| Bild-Nr. /<br>Ref. No. | Best.-Nr. /<br>Part No | Bezeichnung                    | Description                     |
|------------------------|------------------------|--------------------------------|---------------------------------|
| 1                      | 3632 300               | Chassis                        | chassis                         |
| 2                      | 3632 138               | Motorträger                    | motor support                   |
| 3                      | 0012 638               | TORX-Schr., K 60x22 (4 St.)    | screw K 60x22 (4 pieces)        |
| 4                      | 1141 070               | Motor 1.200 W                  | motor 1.200 W                   |
| 5                      | 0010 384               | 6-kt.-Schraube, M 8x16 (2 St.) | screw M 8x16 (2 pieces)         |
| 6                      | 3632 140               | Motorstütze                    | motor support                   |
| 7                      | 0010 893               | SF-Schraube M 6x12 (2 St.)     | screw M 6x12 (2 pieces)         |
| 8                      | 1117 040               | Kondensator, 16µF              | condenser, 16µF                 |
| 9                      | 3567 214               | Anschlußkabel                  | cable                           |
| 10                     | 3632 305               | Lüfter                         | fan                             |
| 11                     | 3632 030               | Zahnriemenscheibe              | washer                          |
| 12                     | 0039 007               | Zahnriemen, HTD-535            | toothed belt; HTD-535           |
| 13                     | 0010 403               | 6-kt.-Schraube M 8x25          | screw M 8x25                    |
| 14                     | 3632 304               | Zahnriemenabdeckung            | cover                           |
| 15                     | 0012 633               | Torx-Schr. K50x20 (13 St.)     | screw K50x20 (13 pieces)        |
| 16                     | 3632 306               | Luftführung                    | air conduction                  |
| 17                     | 3630 301               | Motorhaube                     | motor cover                     |
| 18                     | 0051 115               | "WOLF-Garten" - Marke          | "WOLF- Garten" - label          |
| 19                     | 3632 302               | Fronthaube                     | cap                             |
| 20                     | 3632 303               | Schutzklappe                   | rear flap                       |
| 21                     | 3632 100               | Feder                          | tension spring                  |
| 22                     | 3632 315               | Abdeckung                      | cover                           |
| 23                     | 4961 312               | Stützschale (4 St.)            | shell (4 pieces)                |
| 24                     | 3632 307               | Deckel                         | cover                           |
| 25                     | 0051 223               | Sicherheitse./Pictogramm       | safety label                    |
| ***                    | 0054 055               | Gebrauchsanl. UV 30 EV         | operator instructions           |
| ***                    | 0054 192               | Gebrauchsanl. Olympia Vplus    | operator instruct. Olym. Vplus  |
| ***                    | 0054 073               | Gebrauchsanleitung UVEL        | operator instruct. UVEL         |
| ***                    | 3632 201               | Montageanleitung UV 30 EV      | assembly instructions           |
| ***                    | 3630 203               | Montageanl. Olympia Vplus      | assembly instruct. Oly. Vplus   |
| ***                    | 3632 029               | Polybeutel mit Zubehör         | poly bag w. self-assembly parts |

A15

Ⓓ UV 30 EV 3630 000 Räder, Achse, Messerwalze

ⒼⒷ UV 30 EV 3630 000 wheels, axle, roller



A16

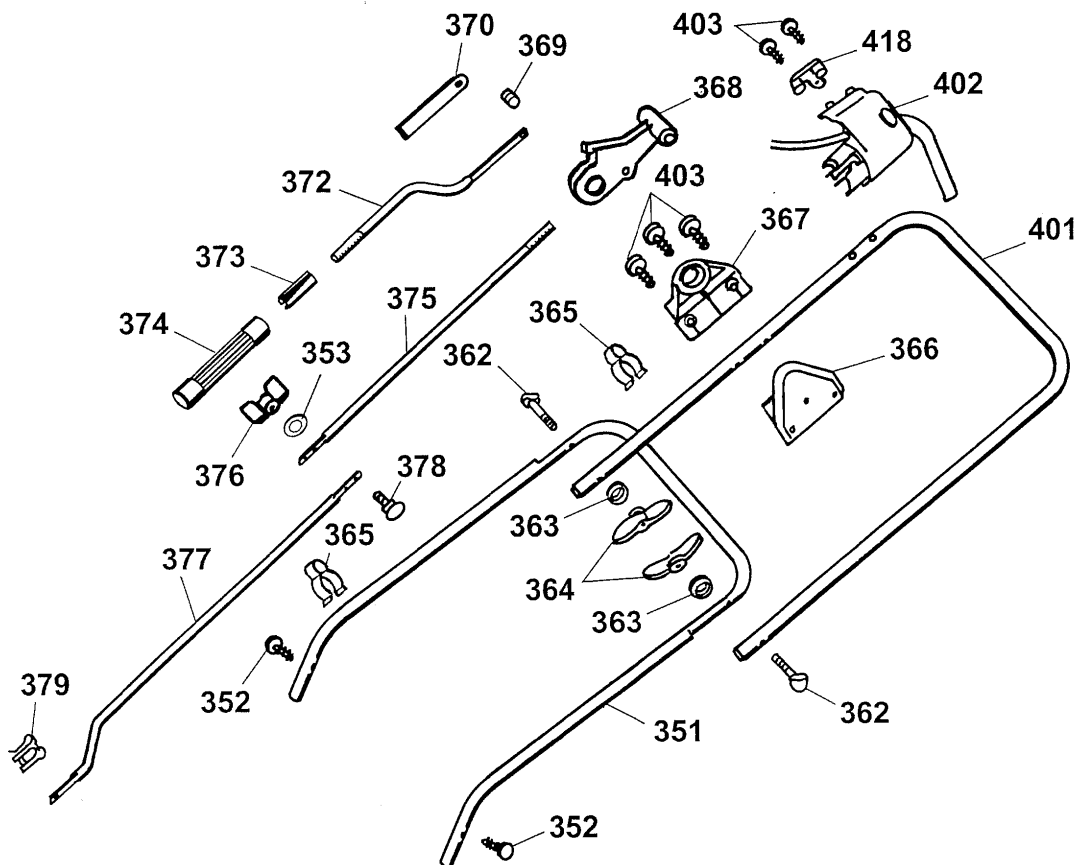
**UV 30 EV 3630 000 Räder, Achse, Messerwalze**  
**UV 30 EV 3630 000 wheels, axle, roller**

| Bild-Nr. /<br>Ref. No. | Best.-Nr. /<br>Part No. | Bezeichnung                   | Description   |
|------------------------|-------------------------|-------------------------------|---|
| 233                    | 3632 120                | Vertikutierwelle              | shaft   |
| 234                    | 3630 312                | Distanzb., innen (8 St.) grün | distanz bush (8 pieces)                                 |
| 235                    | 3568 400                | Vertikutiermesser (9 St.)     | blade (9 pieces)  |
| ***                    | 3630 065                | Vertikutierwalze kpl.         | roller  |
| ***                    | 3568 081                | Messersatz UV-EV, kpl.        | set of blades for UV-EV, cpl.                           |
| 236                    | 3586 110                | Ausgleichscheibe (4 St.)      | rod (4 pieces)  |
| 237                    | 3630 308                | Distanzb., außen (2 St.) gelb | distance bush (2 pieces)                                |
| 238                    | 3568 509                | Wickelschutz (2 St.)          | cover (2 pieces)  |
| 239                    | 3568 512                | Druckring (2 St.)             | ring (2 pieces)   |
| 240                    | 3568 017                | Lagerschale (2 St.)           | bearing shell (2 pieces)                                |
| 241                    | 0010 681                | 6-kt.-Schraube (6 St.)        | screw (6 pieces)  |
| 242                    | 0023 148                | Kugellager (2 St.)            | bearing (2 pieces)                                      |
| 243                    | 3632 406                | Distanzstück                  | spacer  |
| 244                    | 3576 407                | Mitnehmer                     | drive disc  |
| 245                    | 3632 309                | Riemenscheibe                 | v-belt pulley   |
| 246                    | 0010 892                | Schraube (2 St.)              | screw (2 pieces)  |
| 248                    | 3632 014                | Achse, vorne                  | axle  |
| 249                    | 3632 013                | Achse, hinten                 | rear axle   |
| 250                    | 0017 112                | Scheibe (4 St.)               | washer (4 pieces)                                       |
| 251                    | 3630 058                | Rad Ø 200 mm (4 St.)          | wheel, 200 mm dia. (4 p.)                               |
| 252                    | 0020 698                | Schnellbefestiger (4 St.)     | speedfix retainer (4 pieces)                            |
| 253                    | 4936 535                | Radkappe Ø 170 mm (4 St.)     | hub cap, for 170 mm dia.<br>wheel, with grip (4 pieces) |
| 254                    | 3632 330                | Gummiabstreifer               | rubber edge   |

A17

Ⓓ UV 30 EV 3630 000 Griffgestänge, Höhenverstellung

ⒼⒷ UV 30 EV 3630 000 handlebar, height-adjustment

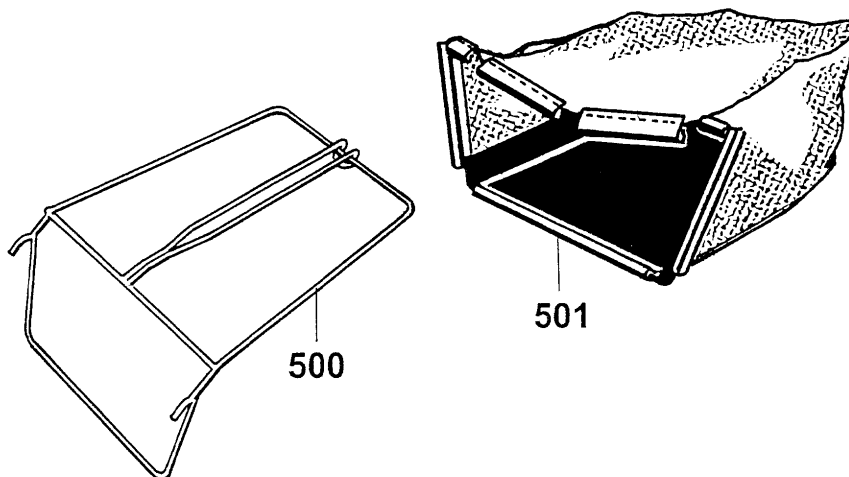


A18

**UV 30 EV 3630 000 Griffgestänge, Höhenverstellung**  
**UV 30 EV 3630 000 handlebar, height-adjustment**

| Bild-Nr. /<br>Ref. No. | Best.-Nr. /<br>Part No. | Bezeichnung  | Description   |
|------------------------|-------------------------|--|---|
| 351                    | 4961 120                | Griffunterteil                                     | lower handlebar   |
| 352                    | 0015 660                | Blechschraube 8x22 (2 St.)                         | screw B4, 8x22 (2 pieces)                                     |
| 353                    | 0017 121                | Scheibe  | washer A6,4   |
| 362                    | 4901 101                | Verb.schr. M8x55 (2 St.)                           | screw M8x55 (2 pieces)  |
| 363                    | 0017 275                | Hohlscheibe (2 St.)                                | washer, recessed (2 pieces)                                   |
| 364                    | 0016 717                | Flügelmutter gelb, M8 (2 St.)                      | wing nut yellow M8 (2 pieces)                                 |
| 365                    | 4950 307                | Kabelschelle (2 St.)                               | cable clip (2 pieces)   |
| 366                    | 3632 102                | Stellgehäuse, links                                | case, left  |
| 367                    | 3632 103                | Stellgehäuse, rechts                               | case, right   |
| 368                    | 3632 104                | Hebel  | lever   |
| 369                    | 3568 213                | Rastbolzen   | bolt  |
| 370                    | 3632 340                | Isolierhülle                                       | clothing  |
| 372                    | 3632 130                | Zugstange, oben                                    | connecting rod  |
| 373                    | 3632 313                | Verstellhülse                                      | bush  |
| 374                    | 3632 314                | Einstellmutter                                     | nut   |
| 375                    | 3632 132                | Zugstange, mitte                                   | connecting rod  |
| ***                    | 3632 015                | Zugstange kpl. (incl. Pos.<br>366, 368, 372 - 375) | connecting rod compl. (incl.<br>ref. No. 366, 368, 372 - 375) |
| 376                    | 3568 308                | Flügelmutter M6                                    | wing nut M6   |
| 377                    | 3632 134                | Zugstange, unten                                   | connecting rod  |
| 378                    | 0013 640                | Flachrundschraube M6x16                            | screw M6x16   |
| 379                    | 0020 981                | SL-Sicherung 8 SXN 08                              | retaining clip 8SXN 08  |
| 401                    | 3630 025                | Griffoberteil                                      | upper handlebar   |
| 403                    | 0012 883                | PT-Schr. KA40x22 (5 St.)                           | screw, KA 40x22 (5 pieces)                                    |
| 402                    | 4961 051                | Schalter   | switch  |
| 418                    | 4901 325                | Zugentlastung                                      | cable holder  |

- Ⓓ TK-VV 3632 060 Fangsack kpl.
- ⒼⒷ TK-VV grass box complete



| Bild-Nr. /<br>Ref. No. | Best.-Nr. /<br>Part No. | Bezeichnung      | Description           |
|------------------------|-------------------------|------------------|-----------------------|
| 500                    | 3632 016                | Fangsackgestell  | catcher frame only    |
| 501                    | 3632 320                | Gewebetuch       | repl.catcher cloth    |
| ***                    | 3632 200                | Montageanleitung | assembly instructions |

A20