

UV 30 EV Serie A ab 2001 / UV 30 EV Series A since 2001

Ausstattung Vertikutierer / Equipment Scarifier

| | | | | |
|--------------------------------------|--|---------|------------------|---------|
| Typ / Kurzbez. / order code | Elektro-Vertikutierer UV 30 EV / electro-scarifier | | | |
| Ausführung für / version for | International | F | | CH |
| Geräte - Nr. / article number | 3630000 | 3630001 | 3630005 | 3630003 |
| | | UVEL | (Olympia V Plus) | |
| Schnittbreite / cutting width | 30 cm | | | |
| Gewicht / weight | 18 kg | | | |
| Lautstärke / noise level | 80dB (A) | | | |
| Ø Rad vorne/ Ø wheel in the front/ | 20 cm / Ø diameter | | | |
| Ø Rad hinten/ Ø wheel at the back/ | 20 cm / Ø diameter | | | |
| Ausführung Räder / version wheels | PVC, Gleitlager / PVC, ball bearing | | | |
| Höhenverstellung / height adjustment | zentral / central | | | |
| Schnitthöhe (cm) / cutting height | stufenlos / continuously adjustable | | | |
| Antrieb ja/nein / drive yes /no | nein / no | | | |
| Motor - Hersteller / motor producer | Hanning | | | |
| Motor - Nr. WOLF / motor -number | 1141 070 | | | |
| Leistung / power | 1.100 Watt | | | |
| Griffgestänge / handle bar | rot / red | | | |
| Fangkorb / collector box | TK-VV Art.-Nr. / part No. 3632 060 | | | |
| Schalter / switch | Bügelschalter / bow-type switch | | | |
| Besonderheiten / special features | Transportstellung / Transport position | | | |

Achtung: Instandsetzungen an Elektrogeräten dürfen nur von entsprechenden Fachkräften durchgeführt werden !

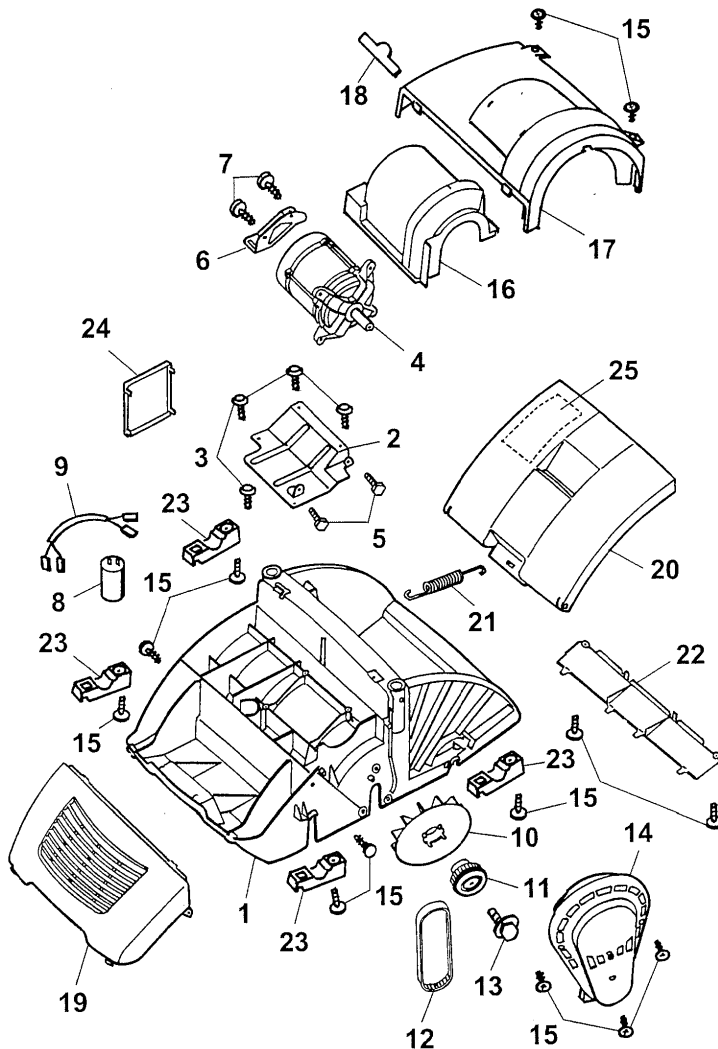
Die Isolationswiderstandsmessung / Schutzleiterprüfung gemäß DIN/VDE 0701 Teil 2 ist **nach jeder Reparatur** vorzunehmen.

Attention: Repairs on electrical appliances have to be led through only by competent specialists !

The measurement of the insulating resistance / protective conductor examination according to DIN/VDE 0701 part 2 has to be carried **out after each repair!**

Ⓓ UV 30 EV 3630 000 Chassis, Motor

ⒼⒷ UV 30 EV 3630 000 chassis, motor



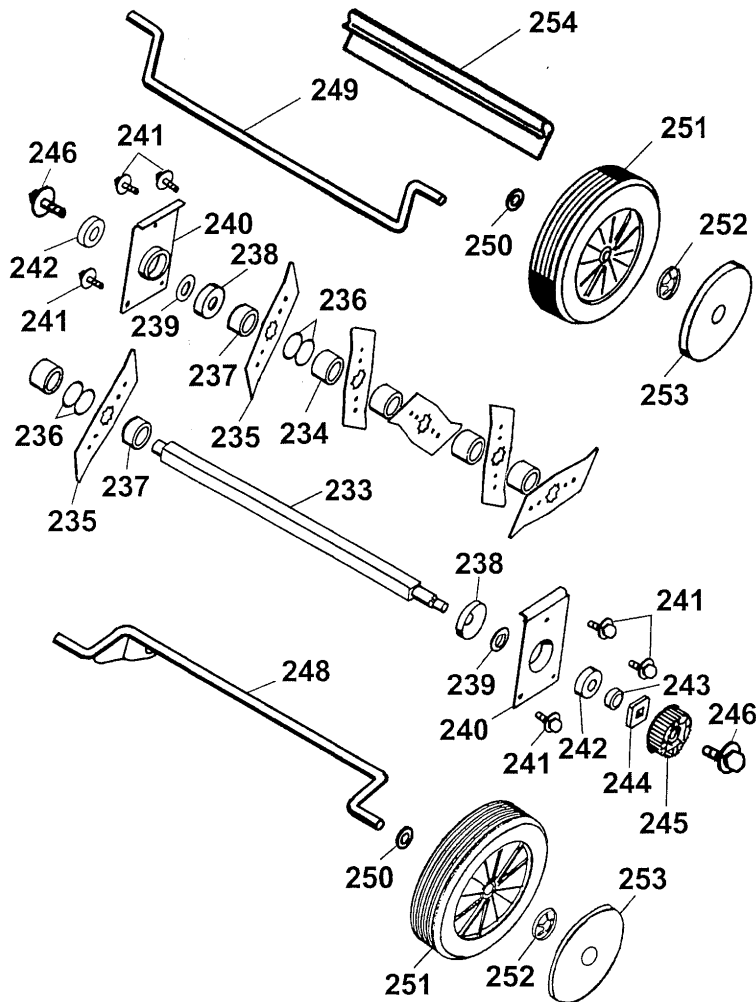
A14

UV 30 EV 3630 000 Chassis, Motor
UV 30 EV 3630 000 chassis, motor

| Bild-Nr. / Ref. No. | Best.-Nr. / Part No | Bezeichnung | Description |
|------------------------|------------------------|--------------------------------|---------------------------------|
| 1 | 3632 300 | Chassis | chassis |
| 2 | 3632 138 | Motorträger | motor support |
| 3 | 0012 638 | TORX-Schr., K 60x22 (4 St.) | screw K 60x22 (4 pieces) |
| 4 | 1141 070 | Motor 1.200 W | motor 1.200 W |
| 5 | 0010 384 | 6-kt.-Schraube, M 8x16 (2 St.) | screw M 8x16 (2 pieces) |
| 6 | 3632 140 | Motorstütze | motor support |
| 7 | 0010 893 | SF-Schraube M 6x12 (2 St.) | screw M 6x12 (2 pieces) |
| 8 | 1117 040 | Kondensator, 16µF | condenser, 16µF |
| 9 | 3567 214 | Anschlußkabel | cable |
| 10 | 3632 305 | Lüfter | fan |
| 11 | 3632 030 | Zahnriemenscheibe | washer |
| 12 | 0039 007 | Zahnriemen, HTD-535 | toothed belt; HTD-535 |
| 13 | 0010 403 | 6-kt.-Schraube M 8x25 | screw M 8x25 |
| 14 | 3632 304 | Zahnriemenabdeckung | cover |
| 15 | 0012 633 | Torx-Schr. K50x20 (13 St.) | screw K50x20 (13 pieces) |
| 16 | 3632 306 | Luftführung | air conduction |
| 17 | 3630 301 | Motorhaube | motor cover |
| 18 | 0051 115 | "WOLF-Garten" - Marke | "WOLF- Garten" - label |
| 19 | 3632 302 | Fronthaube | cap |
| 20 | 3632 303 | Schutzklappe | rear flap |
| 21 | 3632 100 | Feder | tension spring |
| 22 | 3632 315 | Abdeckung | cover |
| 23 | 4961 312 | Stützschale (4 St.) | shell (4 pieces) |
| 24 | 3632 307 | Deckel | cover |
| 25 | 0051 223 | Sicherheitse./Pictogramm | safety label |
| *** | 0054 055 | Gebrauchsanl. UV 30 EV | operator instructions |
| *** | 0054 192 | Gebrauchsanl. Olympia Vplus | operator instruct. Olym. Vplus |
| *** | 0054 073 | Gebrauchsanleitung UVEL | operator instruct. UVEL |
| *** | 3632 201 | Montageanleitung UV 30 EV | assembly instructions |
| *** | 3630 203 | Montageanl. Olympia Vplus | assembly instruct. Oly. Vplus |
| *** | 3632 029 | Polybeutel mit Zubehör | poly bag w. self-assembly parts |

A15

- Ⓓ UV 30 EV 3630 000 Räder, Achse, Messerwalze
- ⒼⒷ UV 30 EV 3630 000 wheels, axle, roller



A16

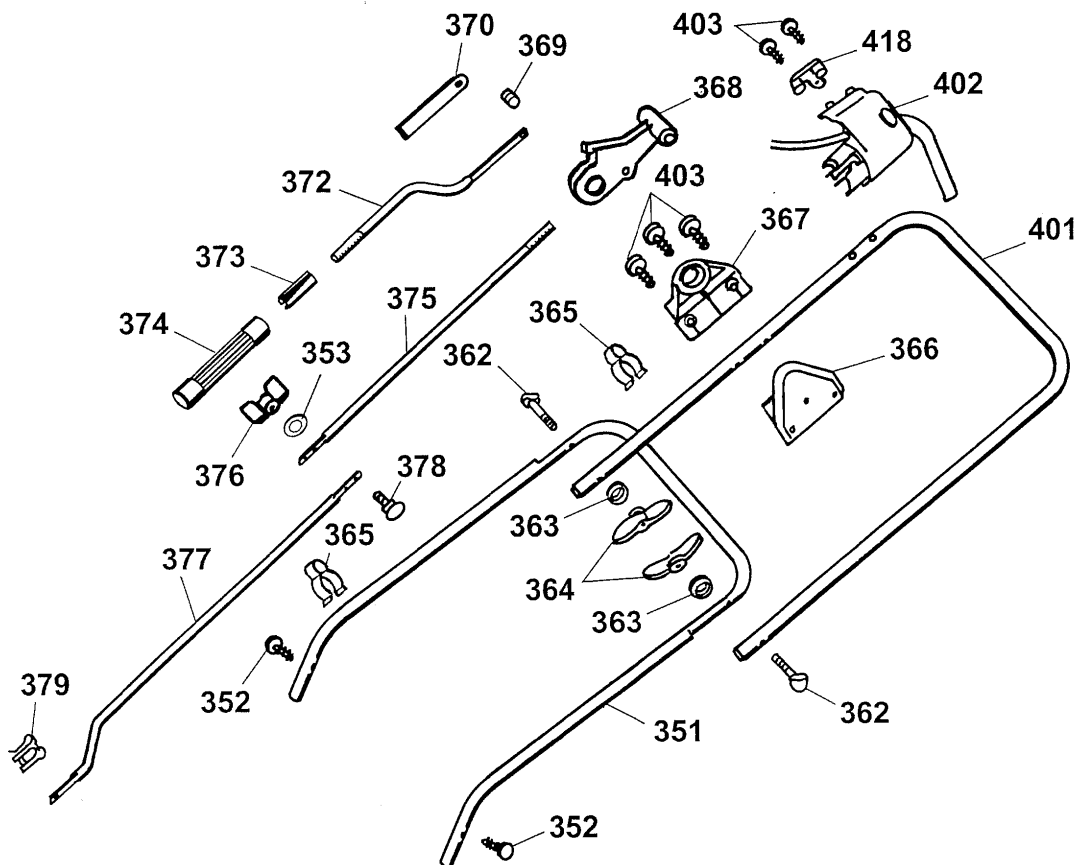
UV 30 EV 3630 000 Räder, Achse, Messerwalze
UV 30 EV 3630 000 wheels, axle, roller

| Bild-Nr. / Ref. No. | Best.-Nr. / Part No. | Bezeichnung | Description |
|------------------------|-------------------------|-------------------------------|---|
| 233 | 3632 120 | Vertikutierwelle | shaft |
| 234 | 3630 312 | Distanzb., innen (8 St.) grün | distanz bush (8 pieces) |
| 235 | 3568 400 | Vertikutiermesser (9 St.) | blade (9 pieces) |
| *** | 3630 065 | Vertikutierwalze kpl. | roller |
| *** | 3568 081 | Messersatz UV-EV, kpl. | set of blades for UV-EV, cpl. |
| 236 | 3586 110 | Ausgleichscheibe (4 St.) | rod (4 pieces) |
| 237 | 3630 308 | Distanzb., außen (2 St.) gelb | distance bush (2 pieces) |
| 238 | 3568 509 | Wickelschutz (2 St.) | cover (2 pieces) |
| 239 | 3568 512 | Druckring (2 St.) | ring (2 pieces) |
| 240 | 3568 017 | Lagerschale (2 St.) | bearing shell (2 pieces) |
| 241 | 0010 681 | 6-kt.-Schraube (6 St.) | screw (6 pieces) |
| 242 | 0023 148 | Kugellager (2 St.) | bearing (2 pieces) |
| 243 | 3632 406 | Distanzstück | spacer |
| 244 | 3576 407 | Mitnehmer | drive disc |
| 245 | 3632 309 | Riemenscheibe | v-belt pulley |
| 246 | 0010 892 | Schraube (2 St.) | screw (2 pieces) |
| 248 | 3632 014 | Achse, vorne | axle |
| 249 | 3632 013 | Achse, hinten | rear axle |
| 250 | 0017 112 | Scheibe (4 St.) | washer (4 pieces) |
| 251 | 3630 058 | Rad Ø 200 mm (4 St.) | wheel, 200 mm dia. (4 p.) |
| 252 | 0020 698 | Schnellbefestiger (4 St.) | speedfix retainer (4 pieces) |
| 253 | 4936 535 | Radkappe Ø 170 mm (4 St.) | hub cap, for 170 mm dia. wheel, with grip (4 pieces) |
| 254 | 3632 330 | Gummiabstreifer | rubber edge |

A17

Ⓓ UV 30 EV 3630 000 Griffgestänge, Höhenverstellung

ⒼⒷ UV 30 EV 3630 000 handlebar, height-adjustment

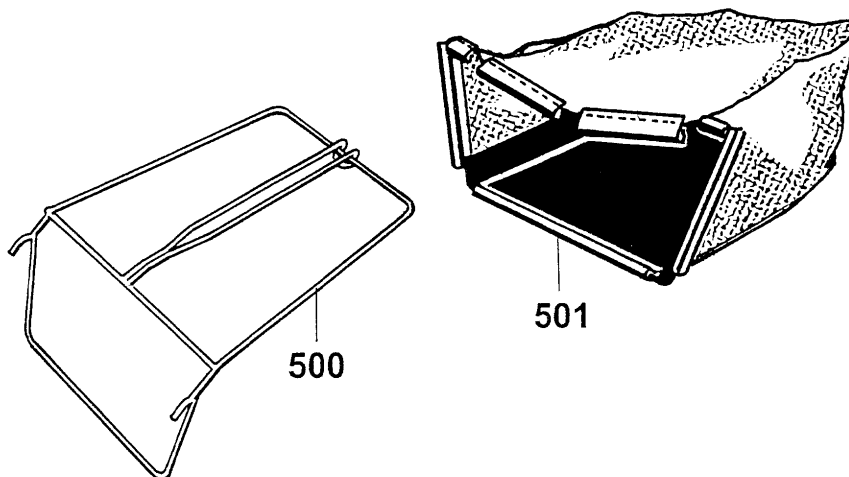


A18

UV 30 EV 3630 000 Griffgestänge, Höhenverstellung
UV 30 EV 3630 000 handlebar, height-adjustment

| Bild-Nr. / Ref. No. | Best.-Nr. / Part No. | Bezeichnung | Description |
|------------------------|-------------------------|--|---|
| 351 | 4961 120 | Griffunterteil | lower handlebar |
| 352 | 0015 660 | Blechschraube 8x22 (2 St.) | screw B4, 8x22 (2 pieces) |
| 353 | 0017 121 | Scheibe | washer A6,4 |
| 362 | 4901 101 | Verb.schr. M8x55 (2 St.) | screw M8x55 (2 pieces) |
| 363 | 0017 275 | Hohlscheibe (2 St.) | washer, recessed (2 pieces) |
| 364 | 0016 717 | Flügelmutter gelb, M8 (2 St.) | wing nut yellow M8 (2 pieces) |
| 365 | 4950 307 | Kabelschelle (2 St.) | cable clip (2 pieces) |
| 366 | 3632 102 | Stellgehäuse, links | case, left |
| 367 | 3632 103 | Stellgehäuse, rechts | case, right |
| 368 | 3632 104 | Hebel | lever |
| 369 | 3568 213 | Rastbolzen | bolt |
| 370 | 3632 340 | Isolierhülle | clothing |
| 372 | 3632 130 | Zugstange, oben | connecting rod |
| 373 | 3632 313 | Verstellhülse | bush |
| 374 | 3632 314 | Einstellmutter | nut |
| 375 | 3632 132 | Zugstange, mitte | connecting rod |
| *** | 3632 015 | Zugstange kpl. (incl. Pos. 366, 368, 372 - 375) | connecting rod compl. (incl. ref. No. 366, 368, 372 - 375) |
| 376 | 3568 308 | Flügelmutter M6 | wing nut M6 |
| 377 | 3632 134 | Zugstange, unten | connecting rod |
| 378 | 0013 640 | Flachrundschraube M6x16 | screw M6x16 |
| 379 | 0020 981 | SL-Sicherung 8 SXN 08 | retaining clip 8SXN 08 |
| 401 | 3630 025 | Griffoberteil | upper handlebar |
| 403 | 0012 883 | PT-Schr. KA40x22 (5 St.) | screw, KA 40x22 (5 pieces) |
| 402 | 4961 051 | Schalter | switch |
| 418 | 4901 325 | Zugentlastung | cable holder |

- Ⓓ TK-VV 3632 060 Fangsack kpl.
- ⒼⒷ TK-VV grass box complete



| Bild-Nr. / Ref. No. | Best.-Nr. / Part No. | Bezeichnung | Description |
|------------------------|-------------------------|------------------|-----------------------|
| 500 | 3632 016 | Fangsackgestell | catcher frame only |
| 501 | 3632 320 | Gewebetuch | repl.catcher cloth |
| *** | 3632 200 | Montageanleitung | assembly instructions |

A20