

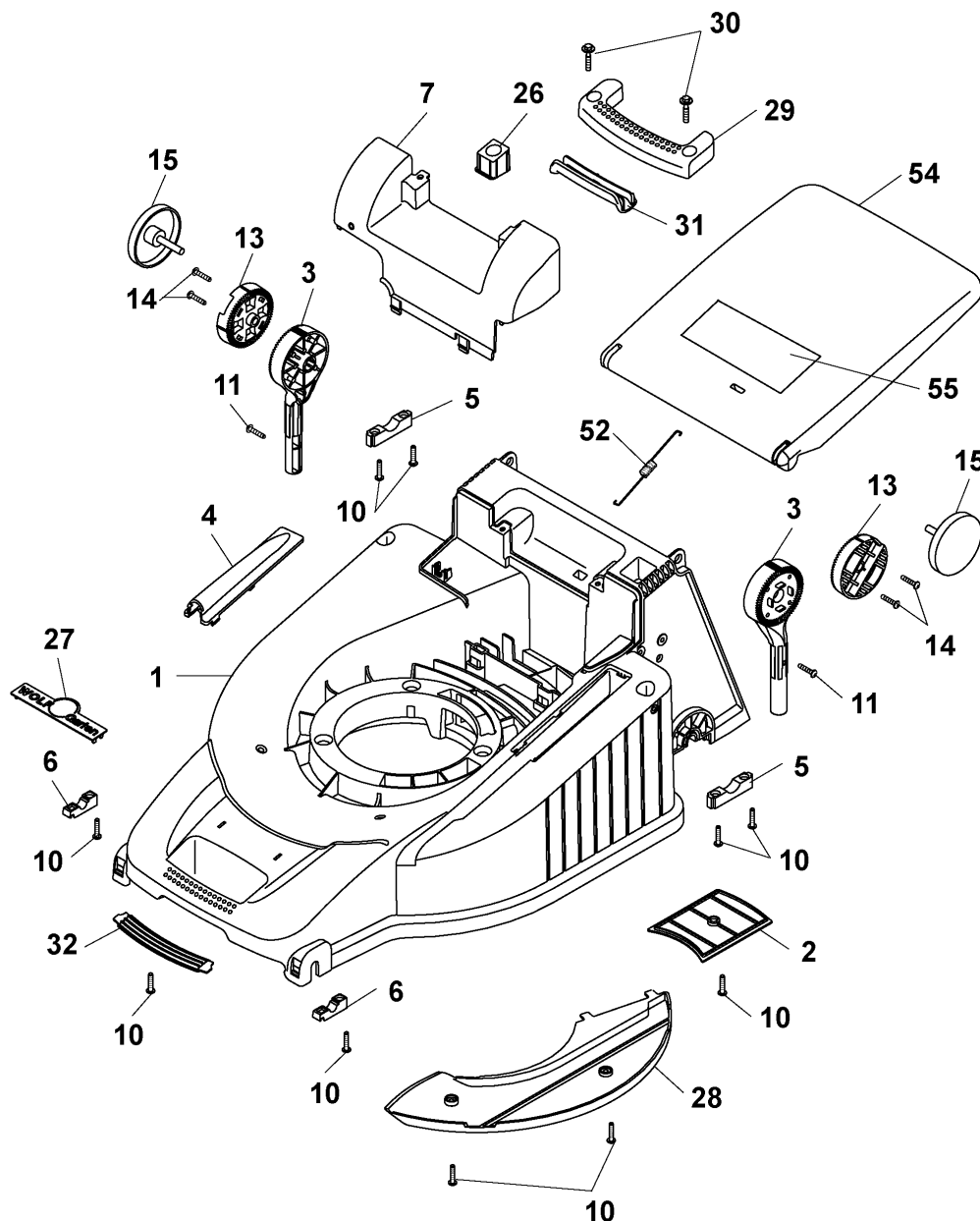
Premio 46 BA, Serie B - D / Premio 46 BA, Series B - D

Ausstattung Benzinmäher / Equipment Petrol-mowers

| | | |
|---------------------------------------------------------------------------------------|----------------------------------------------------------------------------------------------|---------------------------------------------------|
| Typ / Kurzbez. / order code | Premio 46 BA | |
| Ausführung für / version for | International | |
| Geräte - Nr. / article number | 4615000 | |
| Schnittbreite / cutting width | 46 cm | |
| Chassismaterial / chassis | Kunststoff / high-quality plastic | |
| Gewicht / weight | 29 kg | |
| Lautstärke / noise level | 96 dB (A) | |
| Ø Rad vorne / front wheel diameter | 17 cm | |
| Ø Rad hinten / rear wheel diameter | 20 cm | |
| Ausführung Räder / version wheels | Soft, Kugellager / soft, ball bearing | |
| Höhenverstellung / height adjustment | zentral 5-fach / central, five-fold | |
| Schnitthöhe (cm) / cutting height | 2,5 cm - 7,2 cm | |
| Antrieb / power drive | ja, 2-Gang, 2-4 km/h / yes, 2 gear speed, 2-4 km/h | |
| Motor - Hersteller / motor producer | Briggs & Stratton | Briggs & Stratton |
| Motor-Modell / motor-type | Quantum 55 XTE | Quantum 50 XTE |
| Spezifikation / specification | 1288022321B1 | 12F802 Type 1194 |
| Motor - Nr. WOLF / motor-number | 2076050 nur Serie B - C / Series B - C only | 2069070 nur Serie D / Series D only |
| Nennleistung / nominal capacity | 3,4 kW (4,6 PS) | 3,1 kW (4,2 PS) |
| Zündkerze / spark plug | Champion RJ 19 LM, Art.-Nr. / part no.: 2058305 | |
| Griffgestänge / handle bar | Klappgriff, Höhenverstellbar, Holmstart / folding handlebar, height adjustable, bar start | |
| Fangkorb / collector box | 56 L, Füllstandsanzeige / grass box fill indicator Artikel-Nr. 4950065 / part no. 4950065 | |
| <u>Drehmomente Chassis / torque settings, chassis fasteners:</u> | | |
| Achsbefest. (Lagerschale vorne/hinten) / axle fastening (bearing shell front/rear) | 2-3 Nm | |
| Radbefestigung / wheel fastening | 10 Nm | |
| Führung Höhenverstellung / guide height-adjustment | 2-3 Nm | |
| Windkanaleinlage - Chassis / wind tunnel insert - chassis | 2-3 Nm | |
| Stehbolzen an Motor / stud bolt to motor | 16-20 Nm | |
| Stehbolzen an Chassis / stud bolt to chassis | 12-14 Nm | |
| Chassisabdeckung + Griff / chassis covering + handle | 2-3 Nm | |
| Messerbalken an Motorwelle / cutter bar to motor shaft | 38-42 Nm | |
| Keilriemenabdeckung / v-belt cover | 2-3 Nm | |

(D) Premio 46 BA 4615 000, Serie B - D, Chassis

(GB) Premio 46 BA 4615 000, Series B - D, Chassis



Premio 46 BA Chassis

| Bild-Nr. / Ref. No. | Best.-Nr. / Part No. | Bezeichnung | Description |
|------------------------|-------------------------|-------------------------------|-------------------------------|
| 1 | 4605 300 | Chassis | chassis |
| 2 | 4961 324 | Keilriemenabdeckung | v-belt cover |
| 3 | 4950 030 | Griffhalter (2 St¼ck) | handle-fixing (2 pieces) |
| 4 | 4601 315 | Hutze | cover |
| 5 | 4961 313 | St¼tzschale, hinten (2 St¼ck) | rear support shell (2 piec.) |
| 6 | 4961 312 | St¼tzschale, vorne (2 St¼ck) | front support shell (2 piec.) |
| 7 | 4601 310 | Chassisabdeckung | chassis cover |
| 10 | 0012 631 | Schraube (10 St¼ck) | screw (10 pieces) |
| 11 | 0010 931 | Schraube (2 St¼ck) | screw (2 pieces) |
| 13 | 4950 126 | Verstellring (2 St¼ck) | variable ring (2 pieces) |
| 14 | 0010 933 | Schraube (4 St¼ck) | screw (4 pieces) |
| 15 | 4950 010 | Handrad (2 St¼ck) | handwheel (2 pieces) |
| 26 | 4961 304 | Knopf | button |
| 27 | 0051 115 | WOLF-Garten Marke | WOLF-Garten brand |
| 28 | 4601 311 | Windkanalabdeckung | wind tunnel cover |
| 29 | 4601 303 | Tragegriff, hinten | rear carrying handle |
| 30 | 0012 639 | Schraube (2 St¼ck) | screw (2 pieces) |
| 31 | 4601 308 | Griffschale, hinten | rear handle spill |
| 32 | 4601 309 | Griffschale, vorne | front handle spill |
| 52 | 4961 108 | Zugfeder | tension spring |
| 54 | 4628 302 | Schutzklappe (rot) | rear flap (red) |
| 55 | 0051 246 | Sicherheitsetik./Pictogramm | safety label |

Premio 46 BA Achse, RÄder, Hhenverstellung
Premio 46 BA Axle, Wheels, Height-adjustment

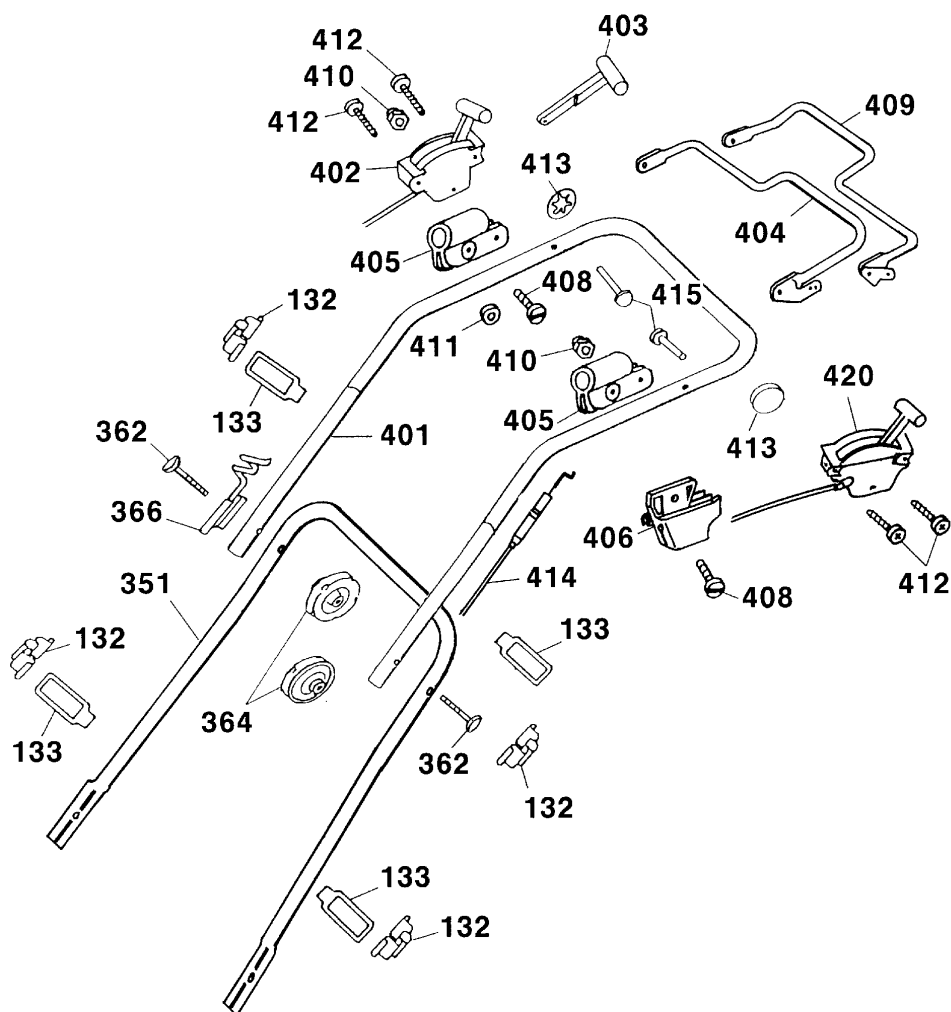
| Bild-Nr. / Ref. No. | Best.-Nr. / Part No. | Bezeichnung | Description |
|--------------------------------|---------------------------------|-------------------------------------------|---------------------------------------------|
| 9 | 4961 512 | Rasthebel | lock lever |
| 11 | 0010 931 | Schraube (4 St¼ck) | screw (4 pieces) |
| 12 | 4001 110 | F¼hrung | guiding |
| 17 | 0018 878 | Spannstift | dowel pin |
| 18 | 4961 514 | Zugfeder | tension spring |
| 19 | 4961 107 | Zugfeder Verbindungs- stange | tension spring connecting rod |
| 20 | 4601 020 | Verbindungsstange | connecting rod |
| 22 | 0020 981 | SL-Sicherung | retaining clip |
| 23 | 4601 306 | Hhenanzeiger | height-position indicator |
| 36 | 0010 893 | SF-Schraube (2 St¼ck) | screw (2 pieces) |
| 250 | 0017 112 | Scheibe (2 St¼ck) | washer (2 pieces) |
| 251 | 6440 050 | Rad 170 mm Ø (2 St¼ck) | wheel 170 mm dia. (2 piec.) |
| 252 | 4605 050 | Antriebsrad 200 mm Ø (2 St¼ck) | driving wheel 200 mm dia. (2 pieces) |
| *** | 4960 516 | Kugellager, Kunststoff (2 St¼ck / Rad) | ball bearing, plastic (2 pieces / wheel) |
| 253 | 0020 700 | Schnellbefestiger (2 St¼ck) | quick-fixing device (2 piec.) |
| 254 | 6450 520 | Radkappe 170 mm Ø (2 St.) | hub cap 170 mm dia. (2 p.) |
| 255 | 6450 530 | Radkappe 200 mm Ø (2 St.) | hub cap 200 mm dia. (2 p.) |
| 256 | 4955 327 | Deckel (2 St¼ck) | protecting wheel cap (2 p.) |
| 257 | 4005 031 | Achsrohr, hinten | axle pipe, rear |
| *** | 4015 030 | Antriebsachse kpl. mit RÄdern | driving axle compl. with wheels |
| 258 | 1099 005 | Getriebe | gear |
| 259 | 1097 201 | Keilriemenscheibe | v-belt pulley |
| 260 | 1097 202 | Spannstift | dowel pin |
| 261 | 4015 100 | Zuganker | tension rod |

Premio 46 BA Achse, RÄder, Hhenverstellung
Premio 46 BA Axle, Wheels, Height-adjustment

| Bild-Nr. / Ref. No. | Best.-Nr. / Part No. | Bezeichnung | Description |
|--------------------------------|---------------------------------|--------------------------|-------------------------|
| 262 | 0012 615 | SF-Schraube (2 Stck) | screw (2 pieces) |
| 263 | 4605 104 | Halter | support |
| 264 | 6450 164 | Sttzblech | supporting sheet metal |
| 265 | 4605 102 | Kupplunghebel | coupling lever |
| 266 | 4605 328 | Schutzrohr | protecting tube |
| 267 | 0020 010 | Sicherungsring (4 Stck) | circlip (4 pieces) |
| 268 | 4725 025 | Kupplungsritzel, rechts | coupling pinion, right |
| 269 | 4725 026 | Kupplungsritzel, links | coupling pinion, left |
| 270 | 0023 147 | Kugellager (2 Stck) | ball bearing (2 pieces) |
| 271 | 0017 289 | Scheibe | washer |
| 272 | 4005 101 | Lasche | bracket |
| 273 | 0016 311 | Stoppmutter | stop nut |
| 301 | 4961 011 | Achse, vorne | axle, front |

D Premio 46 BA 4615 000, Serie B - D, Griff kpl.

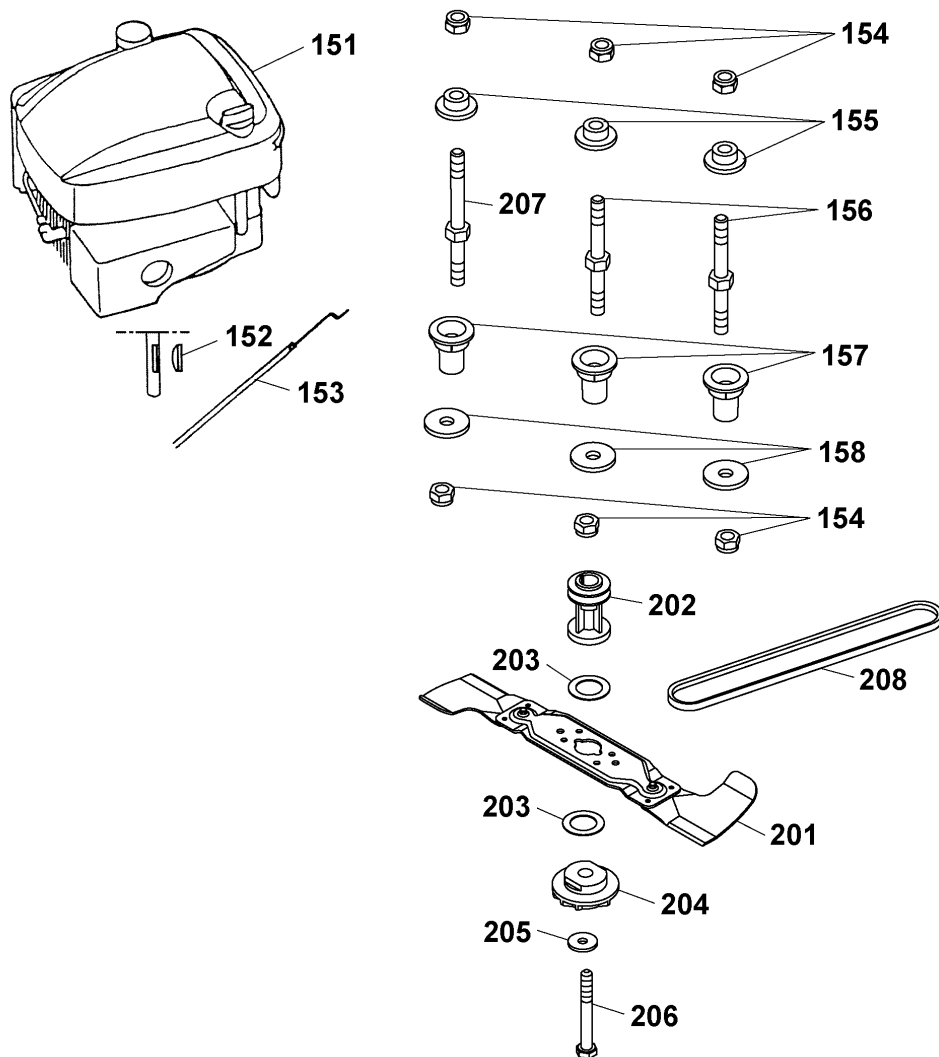
GB Premio 46 BA 4615 000, Series B - D, handlebar compl.



Premio 46 BA Griff kpl.
Premio 46 BA Handlebar compl.

| Bild-Nr. / Ref. No. | Best.-Nr. / Part No. | Bezeichnung | Description |
|------------------------|-------------------------|----------------------------------------------|-----------------------------------------|
| 132 | 6340 312 | Klammer (4 St¼ck) | clamp (4 pieces) |
| 133 | 6340 314 | Schlaufe (4 St¼ck) | strap (4 pieces) |
| 351 | 4628 122 | Griffunterteil | lower handlebar |
| 362 | 4901 101 | Verbindungsschr. (2 St.) | binding screw (2 pieces) |
| 364 | 4936 022 | Handrad | handwheel |
| 366 | 6340 014 | Seilf¼hrung | routing |
| 401 | 6320 023 | Griffoberteil | upper handlebar |
| 402 | 4611 055 | SchaltgehÄuse mit Bowdenzug, Gas | case with bowden wire, gas |
| *** | 6450 325 | SchaltgehÄuse , rechts | case, right |
| *** | 6450 326 | SchaltgehÄuse, links | case, left |
| 403 | 4011 040 | Verstellhebel | adjusting lever |
| 404 | 4015 013 | Bremshebel | brake lever |
| 405 | 4720 105 | Schelle (2 St¼ck) | clamp (2 pieces) |
| 406 | 4015 306 | Doppelst¼tze | double support |
| 408 | 0012 211 | Zylinderschraube (2 St¼ck) | screw (2 pieces) |
| 409 | 4015 035 | Kupplungshebel | coupling lever |
| 410 | 0016 641 | Hutmutter (2 St¼ck) | nut (2 pieces) |
| 411 | 4240 205 | Distanzscheibe | washer |
| 412 | 0012 886 | PT-Schraube (4 St¼ck) | screw (4 pieces) |
| 413 | 3585 503 | Hutclips (2 St¼ck) | retainer (2 pieces) |
| 414 | 4015 055 | Bowdenzug, Antrieb | bowden wire, drive |
| 415 | 0018 107 | Bolzen (2 St¼ck) | bolt (2 pieces) |
| 420 | 4015 061 | SchaltgehÄuse kpl. mit Bowdenzug, 2-Gang | case compl. with bowden wire, 2-gear |
| *** | 0054 319 | Gebrauchsanweisung | operator manual |

- Ⓓ Premio 46 BA 4615 000, Serie B - D, Motor, Messer
- ⒼⒷ Premio 46 BA 4615 000, Series B - D, Motor, Blade

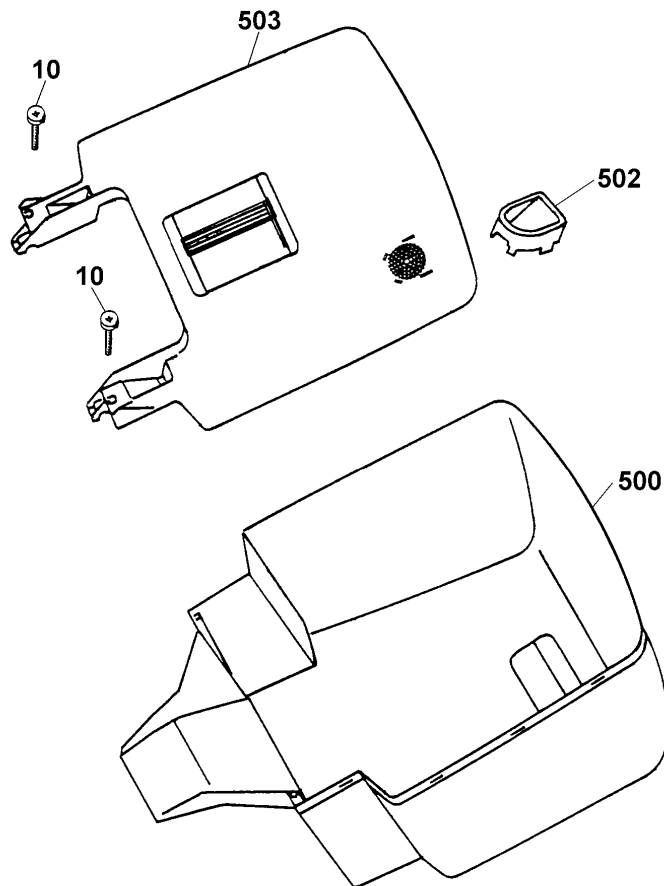


Premio 46 BA Motor, Messer
Premio 46 BA Motor, Blade

| Bild-Nr. / Ref. No. | Best.-Nr. / Part No. | Bezeichnung | Description |
|------------------------|-------------------------|-----------------------------------------|-----------------------------------------------|
| 151 | 2076 050 | Motor "Quantum 55 XTE" (Serie B - C) | motor "Quantum 55 XTE" (Series B - C only) |
| 151 | 2069 070 | Motor "Quantum 50 XTE" (Serie D) | motor "Quantum 50 XTE" (Series D only) |
| 152 | 0029 130 | Scheibenfeder | woodruff key |
| 153 | 4005 058 | Bowdenzug, Bremse | bowden wire, brake |
| 154 | 0016 312 | 6kt.-Mutter (6 St¼ck) | hex. nut (6 pieces) |
| 155 | 4001 172 | Motorbuchse (3 St¼ck) | motor bush (3 pieces) |
| 156 | 4001 170 | Stehbolzen (2 St¼ck) | stud bolt (2 pieces) |
| 157 | 4601 312 | Distanzh¼lse (3 St¼ck) | spacer (3 pieces) |
| 158 | 0017 111 | Scheibe (3 St¼ck) | washer (3 pieces) |
| 201 | 4601 094 | Messerbalken kpl. VI 46 W | cutter bar compl. VI 46 W |
| *** | 4350 040 | Ersatzklingen VI-W (1 Paar) | repl. blades VI-W (1 pair) |
| 202 | 4605 402 | Antriebsscheibe | coupling |
| 203 | 4005 403 | Kupplungsbelag (2 St¼ck) | clutch facing (2 pieces) |
| 204 | 4840 402 | Kupplungsscheibe | coupling disk |
| 205 | 0017 105 | Spannscheibe | strain washer |
| 206 | 0010 264 | 6kt.-Schraube | hex. screw |
| 207 | 4001 171 | Stehbolzen, gro | stud bolt, big |
| 208 | 0039 218 | Keilriemen | v-belt |

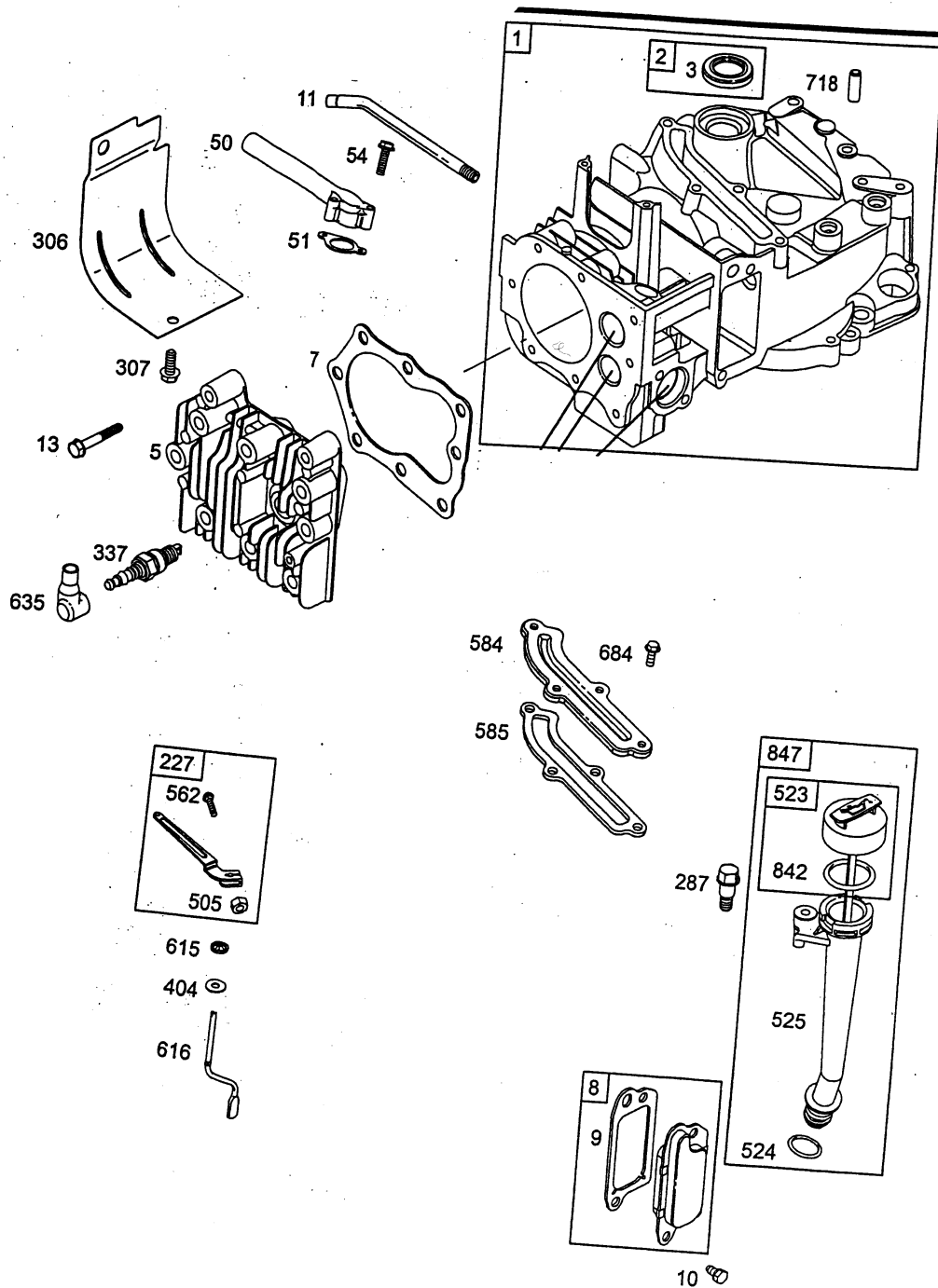
Ⓓ Fangkorb komplett 4950 065

ⒼⒷ Grass box compl. 4950 065



| Bild-Nr. / Ref. No. | Best.-Nr. / Part No. | Bezeichnung | Description |
|------------------------|-------------------------|--------------------|--------------------------|
| 10 | 0012 631 | Schraube (2 St¼ck) | screw (2 pieces) |
| 500 | 4961 311 | Fangkorbunterteil | grass box under part |
| 501 | 4936 061 | F¼llstandsanzeige | grass box fill indicator |
| 503 | 4961 061 | Fangkorboberteil | grass box upper part |

Quantum 55 XTE KurbelgehÄuse
Quantum 55 XTE cylinder assembly



Quantum 55 XTE KurbelgehÄuse

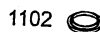
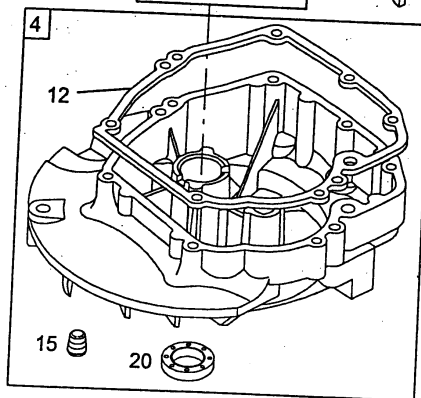
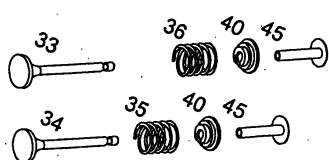
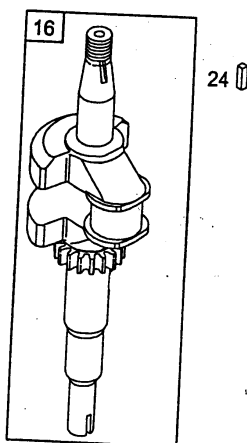
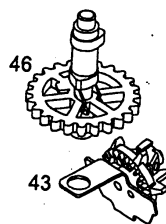
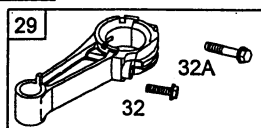
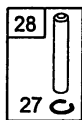
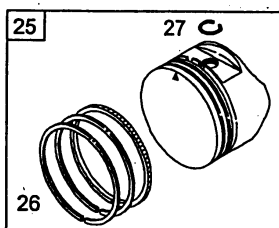
| Bild-Nr. | Best.-Nr. | Bezeichnung | Best.-Nr. B & S |
|----------|-----------|--------------------------------|--------------------|
| 1 | 2058 100 | Zylinder | 493260 |
| 2 | 1034 101 | Lagerbuchse | 293708 |
| 3 | 2057 352 | Simmerring | 299819 |
| 5 | 2069 150 | Zylinderkopf | 214626 |
| 7 | 2063 103 | Zylinderkopfdichtung | 272200 |
| 8 | 2059 300 | Dichtungsventil kpl. | 495786 |
| 9 | 2058 301 | Dichtung-(Ventilationsöffnung) | 272481 |
| 10 | 2057 137 | Schraube | 94955 |
| 11 | 2063 310 | Entlüftungsrohr | 231685 |
| 13 | 2063 108 | Schraube | 94547 |
| 50 | 2069 168 | Verteilereinlaß | 497465 |
| 51 | 2063 207 | Eingangsdichtung | 272199 |
| 54 | 2063 208 | Schraube | 94526 |
| 227 | 2063 054 | Hebel (Fliehkraftregler) | 492349 |
| 287 | 2063 316 | Schraube | 94511 |
| 306 | 2063 119 | Zylinderschutzschild | 224324 |
| 307 | 2063 120 | Schraube | 94515 |
| 337 | 2058 305 | Zündkerze | 802592 |
| 404 | 2063 303 | Scheibe | 690272 |
| 505 | 2063 304 | Mutter | 691251 |
| 523 | 2059 206 | Ölmeßstab | 495264 |
| 524 | 2056 175 | O-Ring | 692296 |
| 525 | 2063 212 | Öleinfüllrohr | 495265 |
| 562 | 2069 139 | Schraube | 94852 |
| 584 | 2063 122 | Entlüfterdeckel | 224328 |
| 585 | 2063 209 | Dichtung | 272238 |
| 615 | 2063 125 | Halter | 94474 |
| 616 | 2057 163 | Drehhebel (Kurbelantrieb) | 263175 |
| 635 | 1034 435 | Zündkerzenstecker | 66538 |
| 684 | 2063 319 | Schraube | 690345 |
| 718 | 2063 320 | Stift | 690959 |
| 842 | 1034 439 | O-Ring | 691031 |
| 847 | 2059 058 | Öleinfüllrohr kpl. | 495263 |

english: see next page

Quantum 55 XTE Cylinder assembly

| Ref. No. | Part No. | Description | Part No. B & S |
|----------|----------|---------------------------|-------------------|
| 1 | 2058 100 | cylinder assembly | 493260 |
| 2 | 1034 101 | kit - bushing/seal | 293708 |
| 3 | 2057 352 | seal - oil | 299819 |
| 5 | 2069 150 | head - cylinder | 214626 |
| 7 | 2063 103 | gasket - cylinder head | 272200 |
| 8 | 2059 300 | breather assembly | 495786 |
| 9 | 2058 301 | gasket - breather | 272481 |
| 10 | 2057 137 | screw | 94955 |
| 11 | 2063 310 | tube - breather | 231685 |
| 13 | 2063 108 | screw | 94547 |
| 50 | 2069 168 | manifold-intake | 497465 |
| 51 | 2063 207 | gasket - intake | 272199 |
| 54 | 2063 208 | screw | 94526 |
| 227 | 2063 054 | lever - governor control | 492349 |
| 287 | 2063 316 | screw | 94511 |
| 306 | 2063 119 | shield - cylinder | 224324 |
| 307 | 2063 120 | screw | 94515 |
| 337 | 2058 305 | spark plug | 802592 |
| 404 | 2063 303 | washer | 690272 |
| 505 | 2063 304 | nut | 691251 |
| 523 | 2059 206 | dipstick | 495264 |
| 524 | 2056 175 | o-ring | 692296 |
| 525 | 2063 212 | tube - dipstick | 495265 |
| 562 | 2069 139 | screw | 94852 |
| 584 | 2063 122 | cover - breather passage | 224328 |
| 585 | 2063 209 | gasket - breather passage | 272238 |
| 615 | 2063 125 | retainer - governor shaft | 94474 |
| 616 | 2057 163 | crank - governor | 263175 |
| 635 | 1034 435 | boot - spark plug | 66538 |
| 684 | 2063 319 | screw | 690345 |
| 718 | 2063 320 | pin-locating | 690959 |
| 842 | 1034 439 | o-ring | 691031 |
| 847 | 2059 058 | dipstick / tube assembly | 495263 |

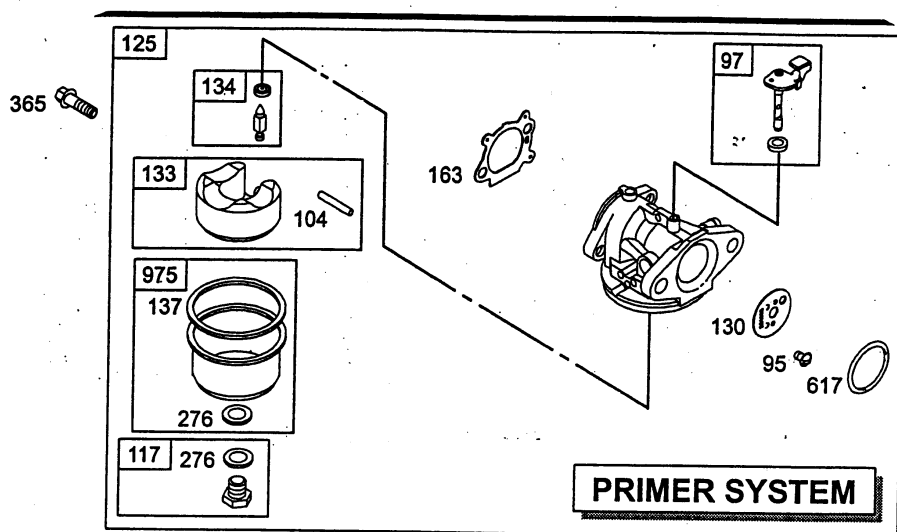
Quantum 55 XTE Kolben, Ventile, Kurbelwelle, Ölwanne
Quantum 55 XTE piston group, valve group, crankschaft, sump bases



Quantum 55 XTE Kolben, Ventile, Ölwanne
Quantum 55 XTE Piston group, Valve group,
Sump bases

| Bild-Nr. / Ref. No. | Best.-Nr. / Part No. | Bezeichnung | Description | Part No. B & S |
|--------------------------------|---------------------------------|--------------------|----------------------|-------------------------------|
| 4 | 2069 196 | Ölwanne | sump-engine | 696294 |
| 12 | 2063 107 | Dichtung | gasket-crankcase | 272198 |
| 15 | 2069 143 | Ölablaßschraube | plug-oil drain | 94880 |
| 16 | 2056 187 | Kurbelwelle | crankshaft | 691452 |
| 20 | 2063 112 | Simmerring | seal-oil | 399781 |
| 22 | 2063 113 | Schraube | screw | 94220 |
| 24 | 2057 130 | Schwungradkeil | feather-key | 222698 |
| 25 | 2069 032 | Kolben kpl. | piston assembly | 499429 |
| 26 | 2069 031 | Ringset | ring set | 499425 |
| 27 | 2057 164 | Sicherung | lock - piston pin | 263190 |
| 28 | 2057 195 | Bolzen | pin - piston | 499423 |
| 29 | 2057 196 | Pleuelstange | rod - connecting | 499424 |
| 32 | 2059 115 | Schraube | screw | 94699 |
| 32A | 2059 114 | Schraube | screw | 695759 |
| 33 | 2063 201 | Auslaßventil | valve - exhaust | 262651 |
| 34 | 2063 202 | Einlaßventil | valve - intake | 262652 |
| 35 | 2063 203 | Ventilfeder | spring - valve | 262224 |
| 36 | 2063 220 | Ventilfeder | spring - valve | 691270 |
| 40 | 1034 217 | Ventilhalter | retainer - valve | 93312 |
| 43 | 2063 206 | Regler | slinger-governor oil | 493737 |
| 45 | 2063 204 | Ventilstößel | tappet-valve | 262204 |
| 46 | 2069 172 | Nockenwelle | camshaft | 498275 |
| 357 | 2069 198 | Keil-Kurbelwelle | key-crankshaft | 695867 |
| 1102 | 2057 118 | Ring | pilot-guide | 232047 |

Quantum 55 XTE Vergaser (Primer System)
Quantum 55 XTE carburetor (primer system)

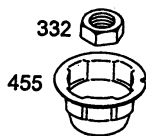
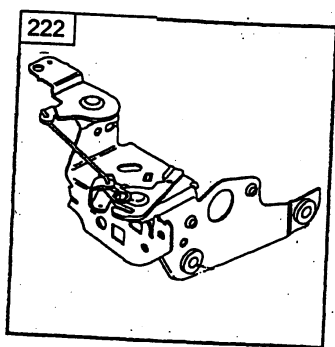


**Quantum 55 XTE Vergaser (Primer System)
Quantum 55 XTE Carburetor (Primer system)**

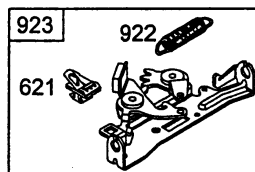
| Bild-Nr. / Ref. No. | Best.-Nr. / Part No. | Bezeichnung | Description | Part No. B & S |
|--------------------------------|---------------------------------|----------------------|------------------------|-------------------------------|
| 95 | 2057 128 | Schraube | screw (throttle valve) | 94098 |
| 97 | 2057 103 | Drosselklappenschaft | shaft - throttle | 696565 |
| 104 | 2057 120 | Stift | pin - float hinge | 231371 |
| 117 | 2057 180 | Hauptdse-Dichtung | jet - main | 494870 |
| 124 | 2063 402 | Schraube | screw (carburetor) | 94525 |
| 125 | 2069 025 | Vergaser kpl. | carburetor compl. | 498170 |
| 130 | 2057 123 | Drosselklappe | valve - throttle | 224908 |
| 131 | 2063 403 | Drosselklappenwelle | shaft - throttle | 493267 |
| 133 | 2003 410 | Schwimmer | float - carburetor | 398187 |
| 134 | 2003 411 | Schwimmernadelventil | kit - needle/seal | 398188 |
| 276 | 2059 202 | Dichtung | washer-sealing | 271716 |
| 365 | 2069 323 | Schraube | screw | 692524 |
| 617 | 1034 428 | Dichtung | seal - o ring | 270344 |
| 975 | 2058 409 | Schwimmerkappe | bowl - float | 493640 |

NR:4615 000 Bezeichnung: Premio 46 BA Gruppe: BenzinmÄher Jahr: 03 Typ: B, C, D

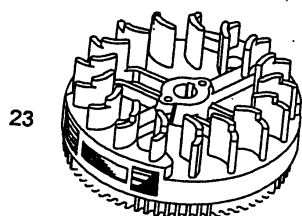
Quantum 55 XTE Regelung, Polrad, Bremse
Quantum 55 XTE control, flywheel, brake



455



621

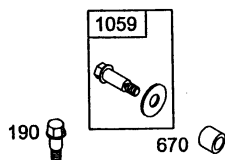
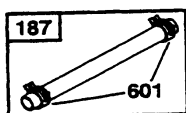
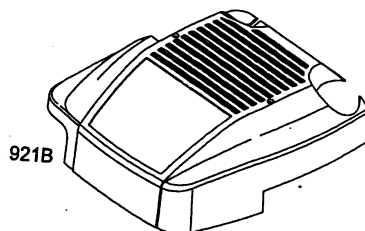
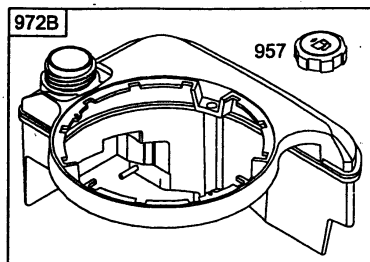


Quantum 55 XTE Regelung, Polrad, Bremse
Quantum 55 XTE Control, Flywheel, Brake

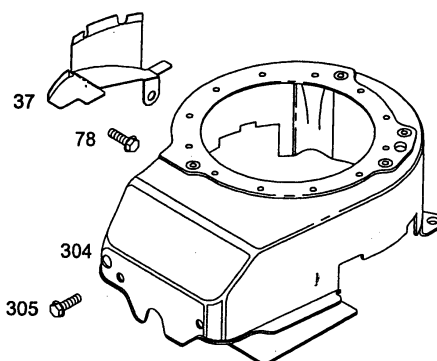
| Bild-Nr. / Ref. No. | Best.-Nr. / Part No. | Bezeichnung | Description | Part No. B & S |
|--------------------------------|---------------------------------|--------------------|--------------------|-------------------------------|
| 23 | 2063 135 | Schwungrad | flywheel | 692315 |
| 202 | 2063 311 | GestÄnge/Gelenk | link - mechanical | 691829 |
| 209 | 2063 335 | Reglerfeder | spring - governor | 691852 |
| 222 | 2069 020 | Vergasermechanik | bracket - control | 497203 |
| 236 | 2063 134 | GestÄnge | link-lockout | 691826 |
| 332 | 2069 132 | Mutter | nut | 92284 |
| 455 | 2057 306 | Starterschale | cup-flywheel | 19069 |
| 621 | 2063 129 | Ausschalter | switch - stop | 396847 |
| 623 | 2063 130 | Bremse kpl. | brake kpl. | 493442 |
| 745 | 2063 117 | Schraube | screw | 94512 |
| 922 | 2063 307 | Feder | spring-brake | 262640 |

NR:4615 000 Bezeichnung: Premio 46 BA Gruppe: BenzinmÄher Jahr: 03 Typ: B, C, D

Quantum 55 XTE Haube, Tank, Lfterhaube
Quantum 55 XTE covering cap, fuel tank, blower housing



188

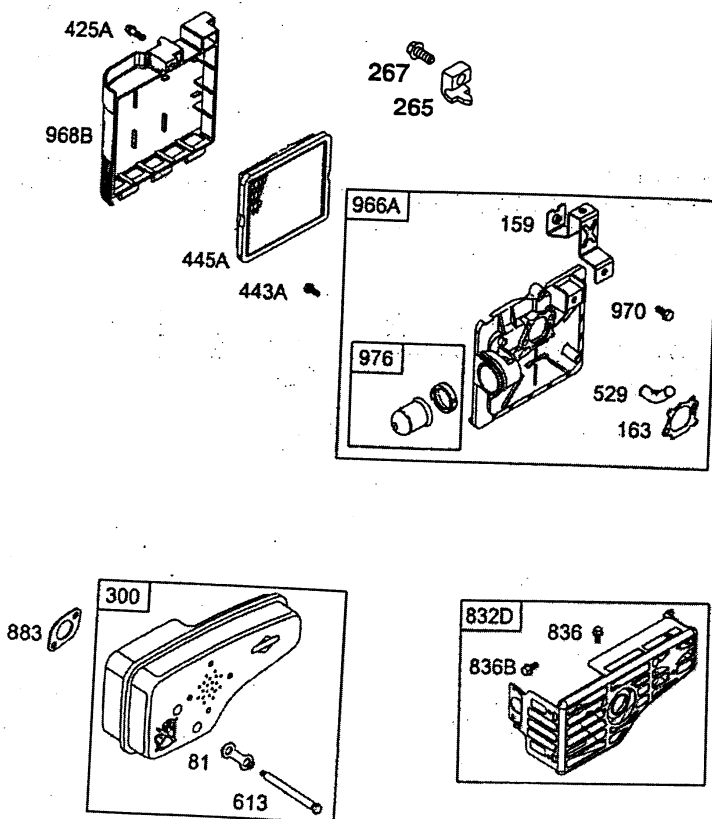


Quantum 55 XTE Haube, Tank, LÜfterhaube
Quantum 55 XTE Cover, Fuel tank, Blower housing

| Bild-Nr. / Ref. No. | Best.-Nr. / Part No. | Bezeichnung | Description | Part No. B & S |
|--------------------------------|---------------------------------|----------------------|--------------------|-------------------------------|
| 37 | 2058 306 | Schutzblech | guard-flywheel | 224511 |
| 78 | 2058 104 | Schraube | screw | 691108 |
| 187 | 2063 065 | Benzinleitung | line - fuel | 492790 |
| 188 | 2058 311 | Schraube | screw | 690877 |
| 190 | 2058 312 | Schraube | screw | 690940 |
| 304 | 2058 107 | LÜftergehÄuse | housing-blower | 696298 |
| 305 | 2057 106 | Schraube | screw | 94744 |
| 564 | 2059 218 | Schraube | screw | 690664 |
| 601 | 1036 517 | Klemme | clamp - hose | 93053 |
| 670 | 2057 166 | H¼lse | spacer - fuel tank | 280512 |
| 957 | 2064 501 | Tankdeckel | cap-fuel tank | 397974 |
| 972B | 2059 510 | Tank | fuel tank | 495224 |
| 1059 | 2059 203 | Schraube mit Scheibe | kit-screw washer | 696293 |

NR:4615 000 Bezeichnung: Premio 46 BA Gruppe: BenzinmÄrher Jahr: 03 Typ: B, C, D

Quantum 55 XTE Luffilter, SchalldÄmpfer
Quantum 55 XTE air cleaner, muffler

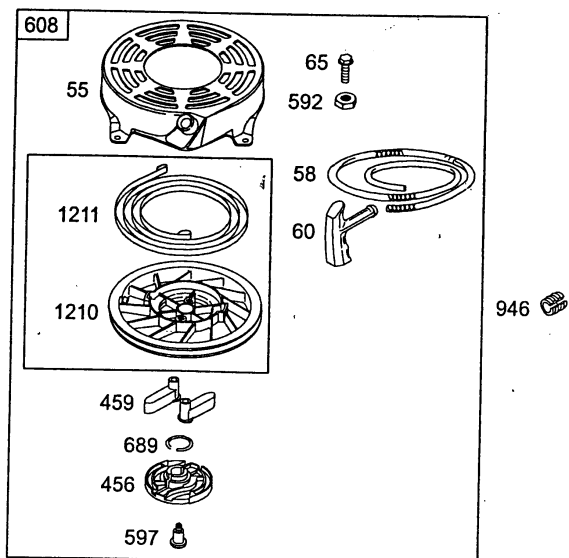
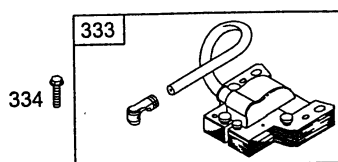


Quantum 55 XTE Luftfilter, Schalldämpfer
Quantum 55 XTE Air cleaner, Muffler

| Bild-Nr. / Ref. No. | Best.-Nr. / Part No. | Bezeichnung | Description | Part No. B & S |
|--------------------------------|---------------------------------|------------------------|--------------------------|-------------------------------|
| 81 | 2063 501 | Sicherung | lock - muffler screw | 223664 |
| 159 | 2063 503 | Halter | bracket - air | 691753 |
| 163 | 2059 220 | Dichtung | gasket - air cleaner | 272653 |
| 265 | 2063 312 | Klammer | clamp | 213146 |
| 267 | 2059 304 | Schraube | screw | 94694 |
| 300 | 2069 019 | Schalldämpfer ohne Kat | muffler without catalyst | 496106 |
| 425A | 2059 216 | Schraube | screw | 690670 |
| 443A | 2059 217 | Schraube | screw | 692523 |
| 445A | 2058 411 | Filtereinsatz | filter-air cleaner | 491588 |
| 529 | 2059 409 | Lüfterschlauch | grommet | 281299 |
| 613 | 2063 124 | Schraube | screw-muffler | 94231 |
| 832D | 2069 176 | Berührungsschutz | guard - muffler | 499034 |
| 836 | 2059 218 | Schraube | screw | 690664 |
| 836B | 1001 153 | Schraube | screw | 690661 |
| 883 | 2059 501 | Auspuffdichtung | gasket - exhaust | 272253 |
| 966A | 2059 405 | Luftfiltergehäuse kpl. | base-air cleaner primer | 496116 |
| 968B | 2059 219 | Deckel | cover - air cleaner | 692298 |
| 970 | 2059 213 | Schraube | screw | 691669 |
| 976 | 2057 181 | Primer | primer | 496115 |

NR:4615 000 Bezeichnung: Premio 46 BA Gruppe: BenzinmÄher Jahr: 03 Typ: B, C, D

Quantum 55 XTE Zndanlage, Starter
Quantum 55 XTE electrical, rewind - starter

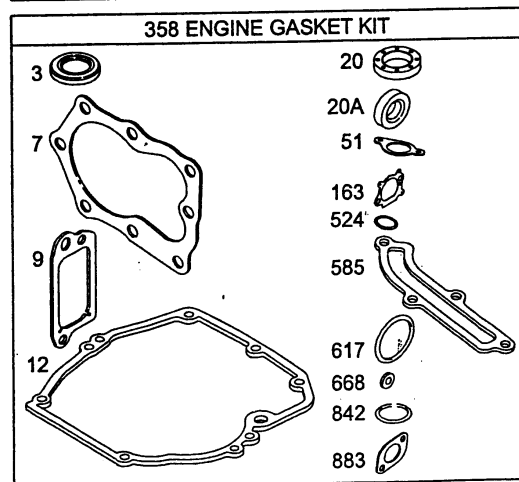
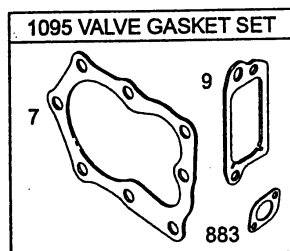
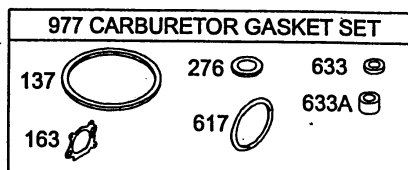
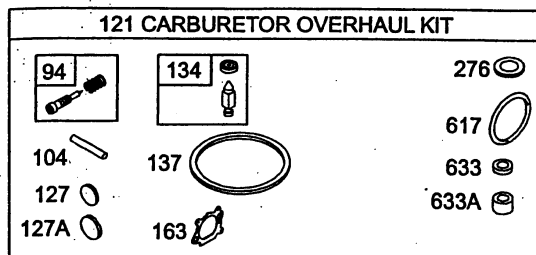


Quantum 55 XTE Zndanlage, Starter
Quantum 55 XTE Electrical, Rewind - starter

| Bild-Nr. / Ref. No. | Best.-Nr. / Part No. | Bezeichnung | Description | Part No. B & S |
|--------------------------------|---------------------------------|--------------------|-------------------------|-------------------------------|
| 55 | 2069 121 | StartergehÄuse | housing-rewind starter | 497440 |
| 58 | 2063 604 | Starterseil | rope - starter | 280399 |
| 60 | 2069 300 | Startergriff | grip - starter rope | 281434 |
| 65 | 2069 324 | Schraube | screw | 690837 |
| 333 | 2063 056 | Zndspule | armature-magneto | 802574 |
| 334 | 2059 306 | Schraube | screw | 94731 |
| 356 | 2059 317 | Kurzschlukabel | wire-stop | 692390 |
| 456 | 2069 301 | Federhalter | plate - pawl friction | 281503 |
| 459 | 2069 302 | Klinke | pawl - ratchet | 281505 |
| 592 | 2069 325 | Mutter | nut | 690800 |
| 597 | 2069 124 | Schraube | screw | 94943 |
| 608 | 2069 012 | Starter kpl. | starter - rewind compl. | 497680 |
| 689 | 2069 125 | Sprungfeder | spring - friction | 263073 |
| 946 | 2063 612 | Seilklemme | stop-rope | 223294 |
| 1210 | 2069 122 | Seilscheibe | pulley | 281504 |
| 1211 | 2069 123 | Starterfeder | spring | 263074 |

NR:4615 000 Bezeichnung: Premio 46 BA Gruppe: BenzinmÄrher Jahr: 03 Typ: B, C, D

Quantum 55 XTE Dichtungssatz
Quantum 55 XTE gasket set

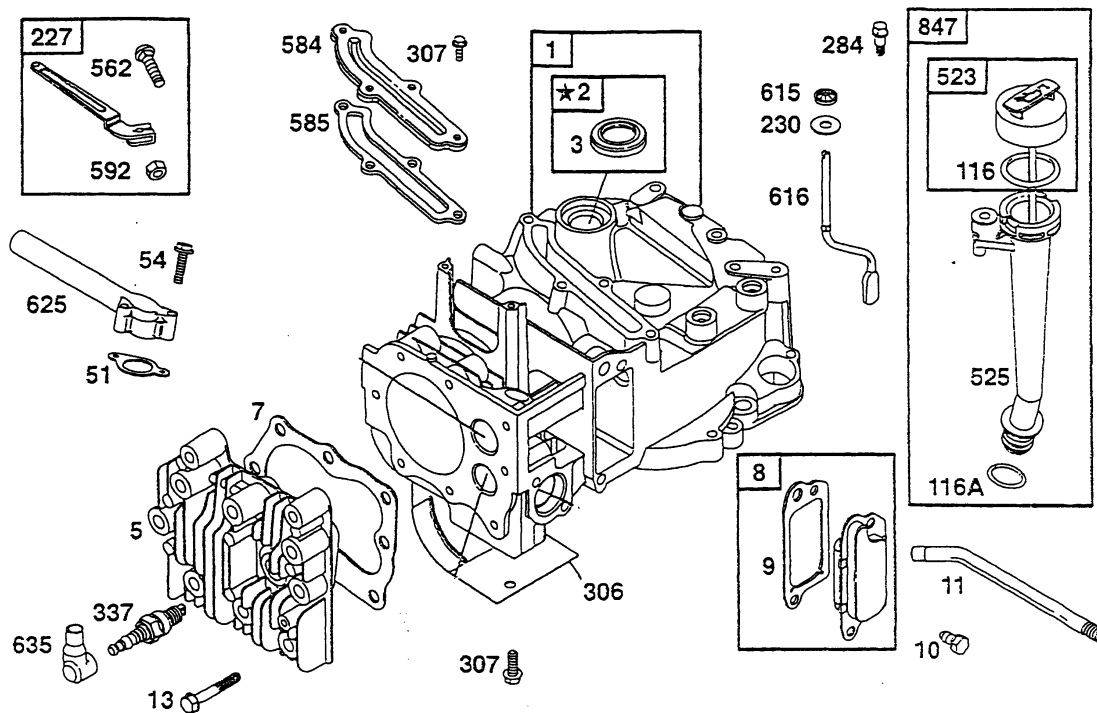


Quantum 55 XTE Dichtungssatz
Quantum 55 XTE Gasket set

| Bild-Nr. / Ref. No. | Best.-Nr. / Part No. | Bezeichnung | Description | Part No. B & S |
|--------------------------------|---------------------------------|------------------------|------------------------------|-------------------------------|
| 3 | 2057 352 | Simmerring-oben | seal-oil (magneto side) | 299819 |
| 7 | 2063 103 | Zylinderkopfdichtung | gasket - cylinder head | 272916 |
| 9 | 2058 301 | Dichtung-Entlfter | gasket - breather | 272481 |
| 12 | 2063 107 | Dichtung-lwanne | gasket - crankcase | 272198 |
| 20 | 2063 112 | Simmerring-unten | seal - oil (PTO side) | 399781 |
| 51 | 2063 207 | Dichtung-Eingang | gasket - intake | 272199 |
| 94 | 2058 403 | Nadelventil | kit - idle mixture | 493765 |
| 104 | 2057 120 | Stift | pin - float hinge | 231371 |
| 121 | 2069 024 | Vergaser Rep.-Satz | carburetor overhaul-kit | 498260 |
| 134 | 2003 411 | Schwimmernadelventil | kit - needle/seat | 398188 |
| 137 | 2069 316 | Dicht.-Schwimmerkappe | gasket - float bowl | 693981 |
| 163 | 2059 220 | Dichtung-Luftfilter | gasket - air cleaner | 272653 |
| 276 | 2059 202 | Dichtung | washer-sealing | 271716 |
| 358 | 2069 021 | Dichtungssatz-Motor | gasket set - engine | 497316 |
| 524 | 2056 175 | O-Ring/lrohr | o-ring | 692296 |
| 585 | 2063 209 | Dichtung-Gehuse | gasket - breather passage | 272238 |
| 617 | 1034 428 | O - Ring/Vergaser | o ring carburetor | 270344 |
| 668 | 2058 055 | Sicherung | spacer | 493823 |
| 842 | 1034 439 | O-Ring/lmestab | o-ring | 691031 |
| 883 | 2059 501 | Auspuffdichtung | gasket - exhaust | 272253 |
| 977 | 2059 223 | Dichtungssatz-Vergaser | gasket set-carburetor | 490937 |
| 1059 | 2059 203 | Schrauben-Muttern Satz | screw-nut kit | 696293 |
| 1095 | 2069 057 | Dichtungssatz | gasket set-valve | 498528 |

Quantum 50 XTE KurbelgehÄuse

Quantum 50 XTE cylinder assembly



Quantum 50 XTE KurbelgehÄuse

| Bild-Nr. | Best.-Nr. | Bezeichnung | Best.-Nr. B & S |
|----------|-----------|--------------------------------|--------------------|
| 1 | 2058 100 | Zylinder | 493260 |
| 2 | 1034 101 | Lagerbuchse | 293708 |
| 3 | 2057 352 | Simmerring | 299819 |
| 5 | 2069 150 | Zylinderkopf | 214626 |
| 7 | 2063 103 | Zylinderkopfdichtung | 272200 |
| 8 | 2059 300 | Dichtungsventil kpl. | 495786 |
| 9 | 2058 301 | Dichtung-(Ventilationsöffnung) | 272481 |
| 10 | 2057 137 | Schraube | 94955 |
| 11 | 2063 310 | Entlüftungsrohr | 231685 |
| 13 | 2063 108 | Schraube | 94547 |
| 51 | 2063 207 | Eingangsdichtung | 272199 |
| 54 | 2063 208 | Schraube | 94526 |
| 116 | 2063 211 | Ring | 280393 |
| 116A | 2063 216 | Ring | 280966 |
| 227 | 2063 054 | Hebel (Fliehkraftregler) | 492349 |
| 230 | 2063 116 | Scheibe | 67072 |
| 284 | 2063 316 | Schraube | 94511 |
| 306 | 2063 119 | Zylinderschutzschild | 224324 |
| 307 | 2063 120 | Schraube | 94515 |
| 337 | 2058 305 | Zündkerze | 802592 |
| 523 | 2059 206 | Ölmeßstab | 495264 |
| 525 | 2063 212 | Öleinfüllrohr | 495265 |
| 562 | 2069 139 | Schraube | 94852 |
| 584 | 2063 122 | Entlüfterdeckel | 224328 |
| 585 | 2063 209 | Dichtung | 272238 |
| 592 | 2063 123 | Mutter | 231082 |
| 615 | 2063 125 | Halter | 94474 |
| 616 | 2057 163 | Drehhebel (Kurbelantrieb) | 263175 |
| 625 | 2069 168 | Verteilereinlaß | 497465 |
| 635 | 1034 435 | Zündkerzenstecker | 66538 |
| 847 | 2059 058 | Öleinfüllrohr kpl. | 495263 |

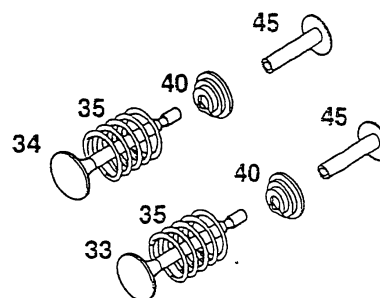
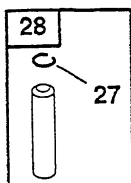
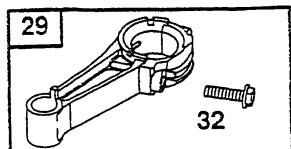
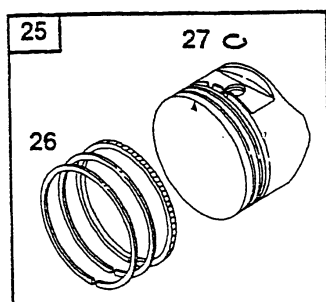
english: see next page

Quantum 50 XTE Cylinder assembly

| Ref. No. | Part No. | Description | Part No. B & S |
|----------|----------|---------------------------|-------------------|
| 1 | 2058 100 | cylinder assembly | 493260 |
| 2 | 1034 101 | kit - bushing/seal | 293708 |
| 3 | 2057 352 | seal - oil | 299819 |
| 5 | 2069 150 | head - cylinder | 214626 |
| 7 | 2063 103 | gasket - cylinder head | 272200 |
| 8 | 2059 300 | breather assembly | 495786 |
| 9 | 2058 301 | gasket - breather | 272481 |
| 10 | 2057 137 | screw | 94955 |
| 11 | 2063 310 | tube - breather | 231685 |
| 13 | 2063 108 | screw | 94547 |
| 51 | 2063 207 | gasket - intake | 272199 |
| 54 | 2063 208 | screw | 94526 |
| 116 | 2063 211 | seal - o ring | 280393 |
| 116A | 2063 216 | seal - o ring | 280966 |
| 227 | 2063 054 | lever - governor control | 492349 |
| 230 | 2063 116 | washer | 67072 |
| 284 | 2063 316 | screw | 94511 |
| 306 | 2063 119 | shield - cylinder | 224324 |
| 307 | 2063 120 | screw | 94515 |
| 337 | 2058 305 | spark plug | 802592 |
| 523 | 2059 206 | dipstick | 495264 |
| 525 | 2063 212 | tube - dipstick | 495265 |
| 562 | 2069 139 | screw | 94852 |
| 584 | 2063 122 | cover - breather passage | 224328 |
| 585 | 2063 209 | gasket - breather passage | 272238 |
| 592 | 2063 123 | nut | 231082 |
| 615 | 2063 125 | retainer - governor shaft | 94474 |
| 616 | 2057 163 | crank - governor | 263175 |
| 625 | 2069 168 | manifold - intake | 497465 |
| 635 | 1034 435 | boot - spark plug | 66538 |
| 847 | 2059 058 | dipstick / tube assembly | 495263 |

Quantum 50 XTE Kolben, Ventile

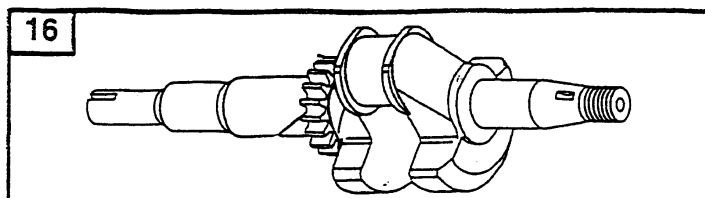
Quantum 50 XTE piston group, valve group



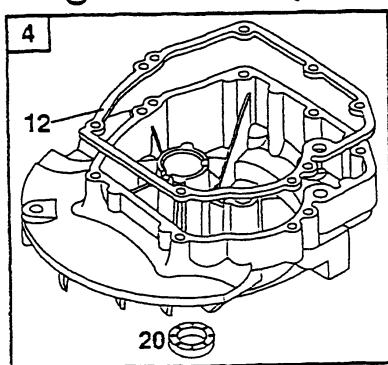
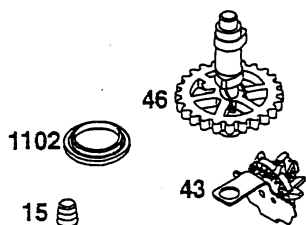
Quantum 50 XTE Kolben, Ventile
Quantum 50 XTE Piston group, Valve group

| Bild-Nr. / Ref. No. | Best.-Nr. / Part No. | Bezeichnung | Description | Part No. B & S |
|--------------------------------|---------------------------------|--------------------|--------------------|-------------------------------|
| 25 | 2069 032 | Kolben kpl. | piston assembly | 499429 |
| 26 | 2069 031 | Ringset | ring set | 499425 |
| 27 | 2057 164 | Sicherung | lock - piston pin | 263190 |
| 28 | 2057 195 | Bolzen | pin - piston | 499423 |
| 29 | 2057 196 | Pleuelstange | rod - connecting | 499424 |
| 32 | 2059 115 | Schraube | screw | 94699 |
| 33 | 2063 201 | Auslaßventil | valve - exhaust | 262651 |
| 34 | 2063 202 | Einlaßventil | valve - intake | 262652 |
| 35 | 2063 203 | Ventilfeder | spring - valve | 262224 |
| 40 | 1034 217 | Ventilhalter | retainer - valve | 93312 |
| 45 | 2063 204 | Ventilstößel | tappet-valve | 262204 |

Quantum 50 XTE 50 Kurbelwelle, Ölwanne
Quantum 50 XTE crankshaft, sump bases



⇒ 24

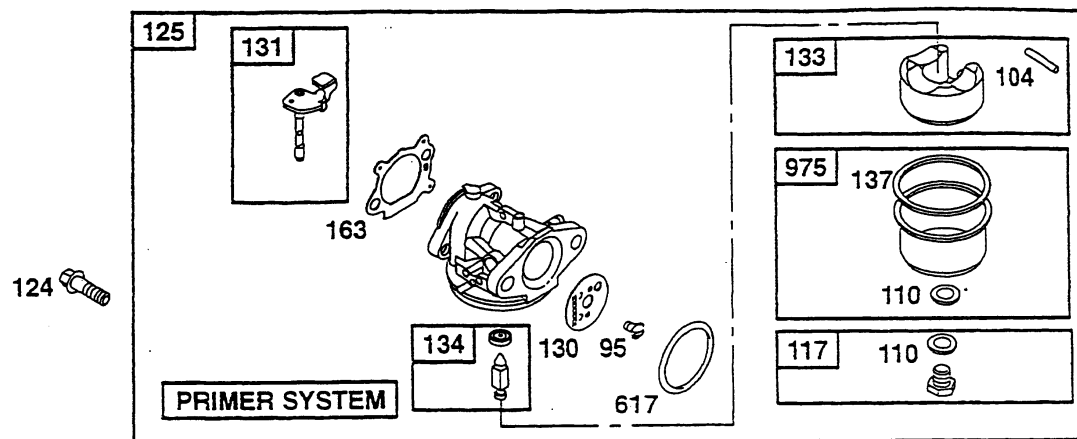


⇒ 22

Quantum 50 XTE Kurbelwelle, Ölwanne
Quantum 50 XTE Crankshaft, sump bases

| Bild-Nr. / Ref. No. | Best.-Nr. / Part No. | Bezeichnung | Description | Part No. B & S |
|------------------------|-------------------------|-------------------|--------------------------|-------------------|
| 4 | 2063 111 | Ölwanne | sump - engine | 493279 |
| 12 | 2063 107 | Dichtung | gasket - crankcase | 272198 |
| 15 | 2069 143 | Ölablaßschraube | plug - oil drain | 94880 |
| 16 | 2069 173 | Kurbelwelle 80 mm | crankshaft 80 mm | 498565 |
| 16 | 2069 178 | Kurbelwelle 62 mm | crankshaft 62 mm | 498566 |
| 20 | 2063 112 | Simmerring | seal - oil | 399781 |
| 22 | 2063 113 | Schraube | screw | 94220 |
| 24 | 2057 130 | Schwungradkeil | feather key | 222698 |
| 43 | 2063 206 | Regler | slinger - governor / oil | 493737 |
| 46 | 2069 172 | Nockenwelle | camshaft | 498275 |
| 1102 | 2057 118 | Ring | pilot - guide | 232047 |

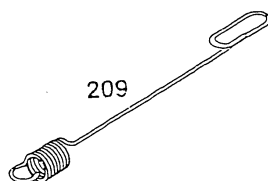
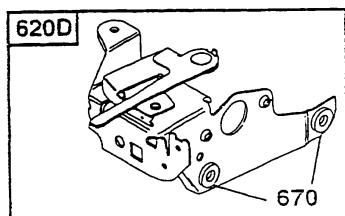
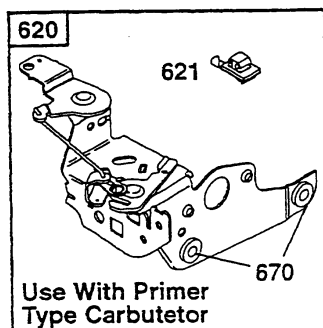
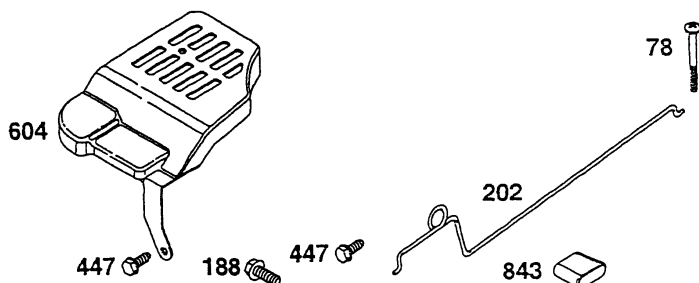
Quantum 50 XTE Vergaser (Primer System)
Quantum 50 XTE carburetor (primer system)



**Quantum 50 XTE Vergaser (Primer System)
Quantum 50 XTE Carburetor (Primer system)**

| Bild-Nr. / Ref. No. | Best.-Nr. / Part No. | Bezeichnung | Description | Part No. B & S |
|--------------------------------|---------------------------------|------------------------|------------------------|-------------------------------|
| 95 | 2057 128 | Schraube | screw (throttle valve) | 94098 |
| 104 | 2057 120 | Stift | pin - float hinge | 231371 |
| 117 | 2057 180 | Hauptdüse mit Dichtung | jet - main | 494870 |
| 124 | 2063 402 | Schraube | screw (carburetor) | 94525 |
| 125 | 2069 025 | Vergaser kpl. | carburetor compl. | 498170 |
| 130 | 2057 123 | Drosselklappe | valve - throttle | 224908 |
| 131 | 2063 403 | Drosselklappenwelle | shaft - throttle | 493267 |
| 133 | 2003 410 | Schwimmer | float - carburetor | 398187 |
| 134 | 2003 411 | Schwimmernadelventil | kit - needle/seal | 398188 |
| 163 | 2059 220 | Starterklappe | gasket - air cleaner | 272653 |
| 617 | 1034 428 | Dichtung | seal - o ring | 270344 |
| 975 | 2058 409 | Schwimmerkappe | bowl - float | 493640 |

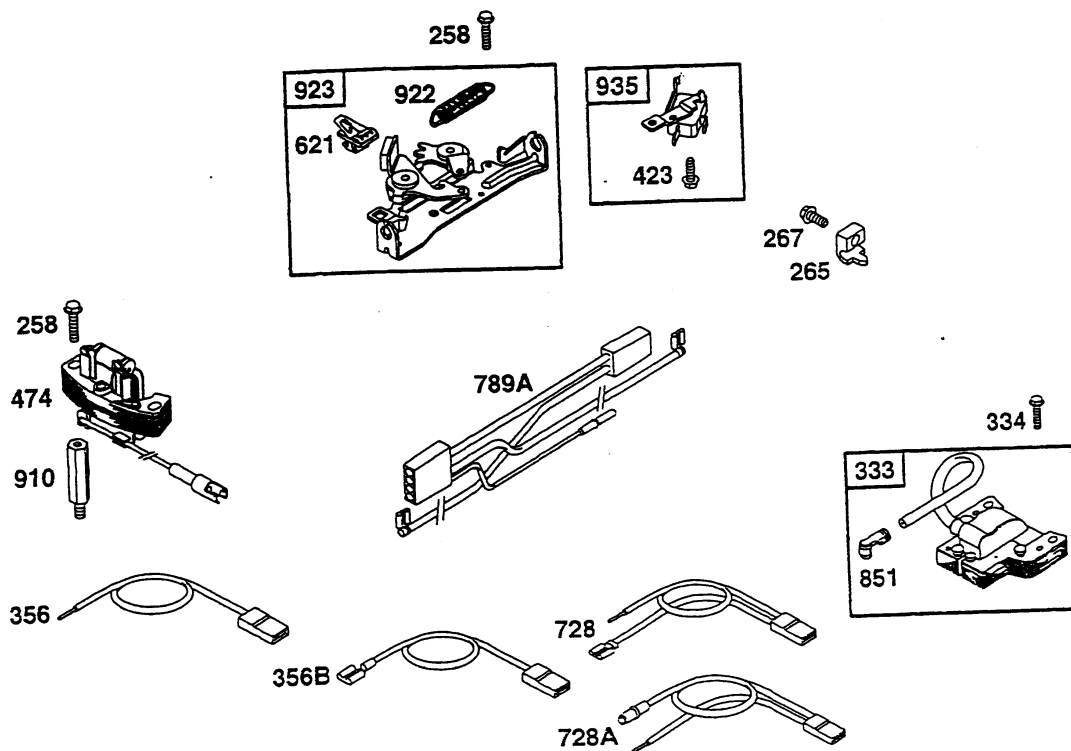
Quantum 50 XTE Regelung
Quantum 50 XTE control



**Quantum 50 XTE Regelung
Quantum 50 XTE Control**

| Bild-Nr. / Ref. No. | Best.-Nr. / Part No. | Bezeichnung | description | Part No. B & S |
|--------------------------------|---------------------------------|--------------------|-------------------------------|-------------------------------|
| 65 | 2057 108 | Schraube | screw | 94874 |
| 78 | 2069 144 | Schraube | screw | 95077 |
| 188 | 2058 405 | Schraube | screw | 94644 |
| 202 | 2063 311 | GestÄnge/Gelenk | link - mechanical governor | 262579 |
| 209 | 2057 147 | Reglerfeder | spring - governor | 263046 |
| 447 | 2058 406 | Schraube | screw | 93801 |
| 604 | 2058 400 | Abdeckung | cover - control | 224509 |
| 620 | 2069 020 | Vergasermechanik | bracket - control | 497203 |
| 620D | 2069 028 | Vergasermechanik | bracket - control | 498581 |
| 621 | 2063 129 | Ausschalter | switch - stop | 396847 |
| 670 | 2058 407 | DistanzstÄck | spacer | 493823 |

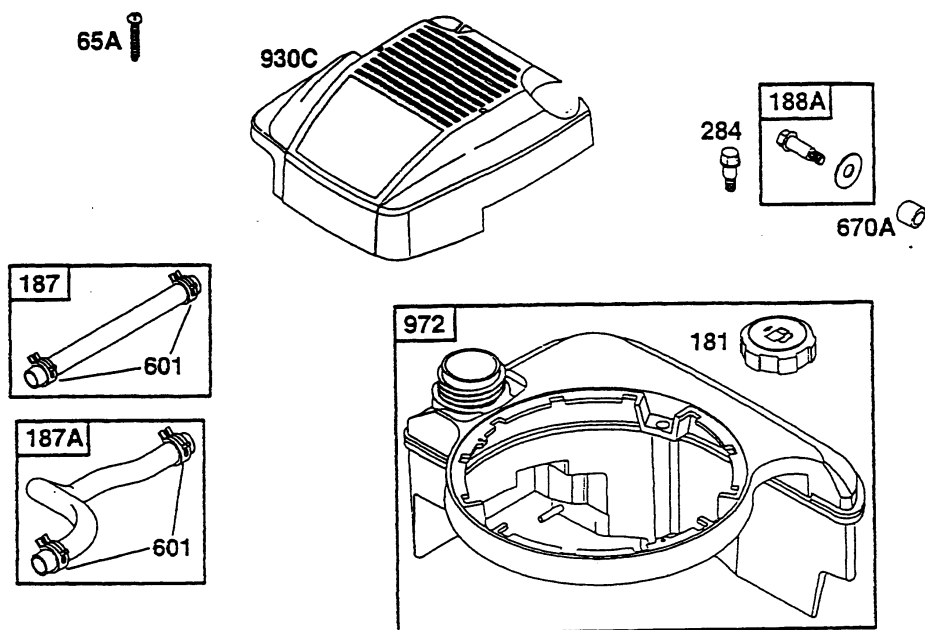
Quantum 50 XTE Zündanlage
Quantum 50 XTE electrical



Quantum 50 XTE Zündanlage
Quantum 50 XTE electrical

| Bild-Nr. / Ref. No. | Best.-Nr. / Part No. | Bezeichnung | Description | Part No. B & S |
|--------------------------------|---------------------------------|--------------------|-----------------------|-------------------------------|
| 258 | 2063 117 | Schraube | screw | 94512 |
| 265 | 2063 312 | Klammer | clamp | 213146 |
| 267 | 2059 304 | Schraube | screw | 94694 |
| 333 | 2063 056 | Zündspule | armature - magneto | 802574 |
| 334 | 2059 306 | Schraube | screw | 94731 |
| 356 | 2057 183 | Kabelbaum | wire - stop | 497833 |
| 356B | 2069 208 | Kabelbaum | wire - stop | 496037 |
| 423 | 2057 102 | Schraube | screw | 93758 |
| 474 | 2069 118 | Lichtspule | alternator | 492841 |
| 621 | 2063 129 | Ausschalter | switch - stop | 396847 |
| 728 | 2069 041 | Kabelbaum | cable form | 494714 |
| 728A | 2069 043 | Kabelbaum | cable form | 496381 |
| 789A | 2069 120 | Kabelbaum | cable form | 493380 |
| 851 | 2057 179 | Stecker | terminal - spark plug | 493880 |
| 910 | 2069 117 | Zwischenstück | stud (alternator) | 94510 |
| 922 | 2063 307 | Feder | spring - brake | 262640 |
| 923 | 2063 130 | Bremse | brake | 493442 |
| 935 | 2057 052 | Schalter | switch - interlock | 499421 |

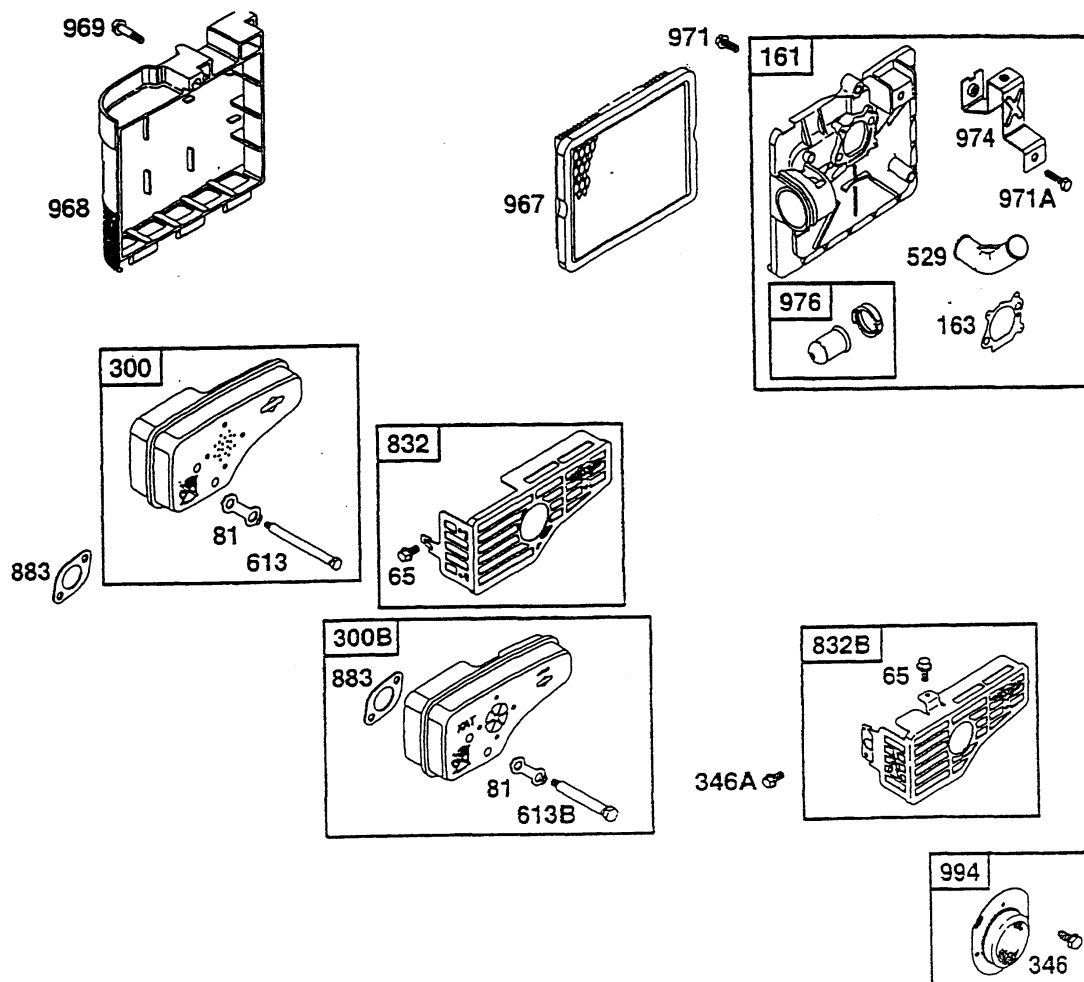
Quantum 50 XTE Haube, KraftstoffbehÄ¶lter
Quantum 50 XTE covering cap, fuel tank



Quantum 50 XTE Haube, KraftstoffbehÄlter
Quantum 50 XTE Covering cap, fuel tank

| Bild-Nr. / Ref. No. | Best.-Nr. / Part No. | Bezeichnung | Description | Part No. B & S |
|--------------------------------|---------------------------------|-----------------------|----------------------|-------------------------------|
| 65A | 2066 301 | Schraube | screw | 94696 |
| 181 | 2064 501 | Tankdeckel | cap - fuel tank | 397974 |
| 187 | 2063 065 | Benzinleitung | line - fuel | 492790 |
| 187 | 2057 371 | Benzinleitung | line - fuel | 296004 |
| 187A | 2069 309 | Benzinleitung | line - fuel (molded) | 492791 |
| 188A | 2057 143 | Schraube mit Scheibe | kit - screw/washer | 398540 |
| 284 | 2063 316 | Schraube | screw | 94511 |
| 601 | 1036 517 | Klemme | clamp - hose | 93053 |
| 601A | 2058 517 | Klemme | clamp - hose | 93807 |
| 670A | 2057 166 | Hülse | spacer - fuel tank | 280512 |
| 930C | 2069 304 | Abdeckhaube (schwarz) | covering cap (black) | 281440 |
| 972 | 2059 510 | Tank | fuel tank | 495224 |

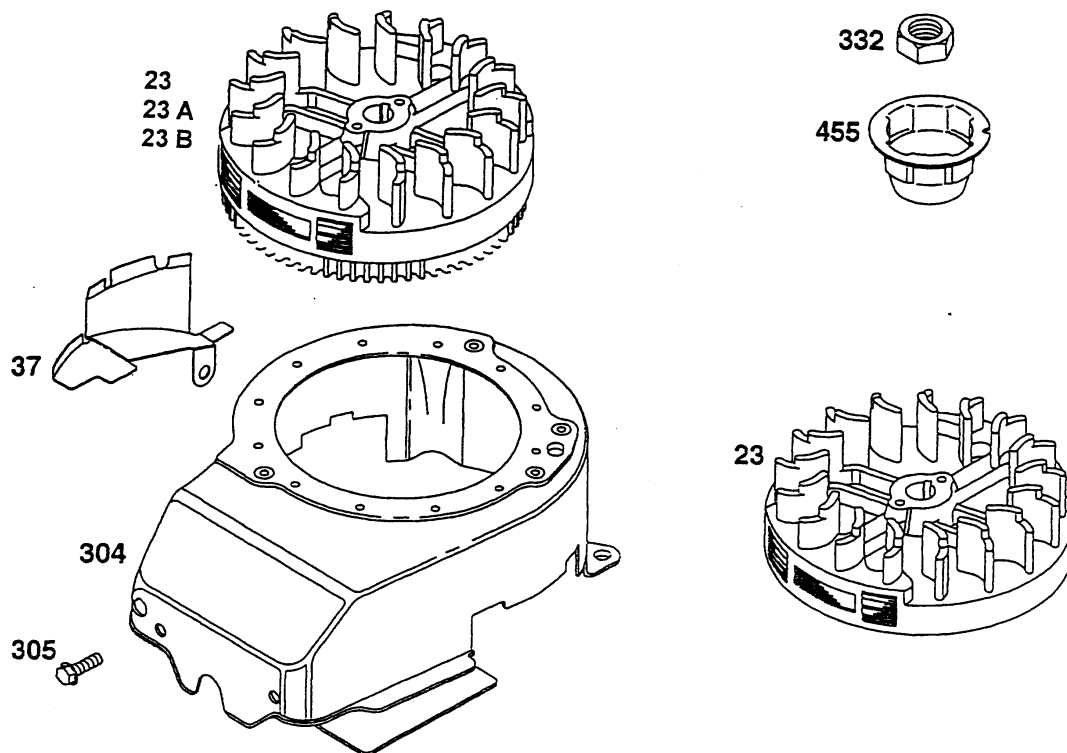
Quantum 50 XTE Luftfilter, SchalldÄmpfer
Quantum 50 XTE air cleaner, muffler



Quantum 50 XTE Luftfilter, SchalldÄmpfer
Quantum 50 XTE Air cleaner, muffler

| Bild-Nr. / Ref. No. | Best.-Nr. / Part No. | Bezeichnung | Description | Part No. B & S |
|------------------------|-------------------------|--------------------------------------|------------------------------------|-------------------|
| 65 | 2057 108 | Schraube | screw | 94874 |
| 81 | 2063 501 | Sicherung | lock - muffler screw | 223664 |
| 161 | 2059 405 | LuftfiltergehÄuse | base - air cleaner | 496116 |
| 163 | 2059 220 | Dichtung | gasket - air cleaner | 272653 |
| 300 | 2069 019 | Auspuff ohne KAT | muffler without catalyst | 496106 |
| 300B | 2069 023 | Auspuff mit KAT | muffler with catalyst | 497681 |
| 346 | 2069 134 | Schraube | screw | 93705 |
| 346A | 2069 145 | Schraube | screw | 95130 |
| 529 | 2059 409 | Lüfterschlauch | grommet | 281299 |
| 613 | 2063 124 | Schraube | screw (muffler) | 94231 |
| 613B | 2069 140 | Schraube | screw (muffler) | 94858 |
| 676D | 2069 170 | Deflektor | deflector (muffler) | 497682 |
| 832 | 2069 176 | Berührungsschutz | guard - muffler | 499034 |
| 832B | 2069 171 | Berührungsschutz (Ausführung KAT) | guard - muffler (catalyst only) | 497683 |
| 883 | 2059 501 | Auspuffdichtung | gasket - exhaust | 272253 |
| 967 | 2063 408 | Luftfilter / Filterelement | air cleaner | 491588 |
| 968 | 2059 406 | Deckel | cover - air cleaner | 281340 |
| 969 | 2069 141 | Schraube | screw | 94872 |
| 971 | 2069 104 | Schraube | screw | 94878 |
| 971A | 2059 303 | Schraube | screw | 94749 |
| 974 | 2059 404 | Halter | bracket - air cleaner | 224815 |
| 976 | 2057 181 | Primer | primer | 496115 |

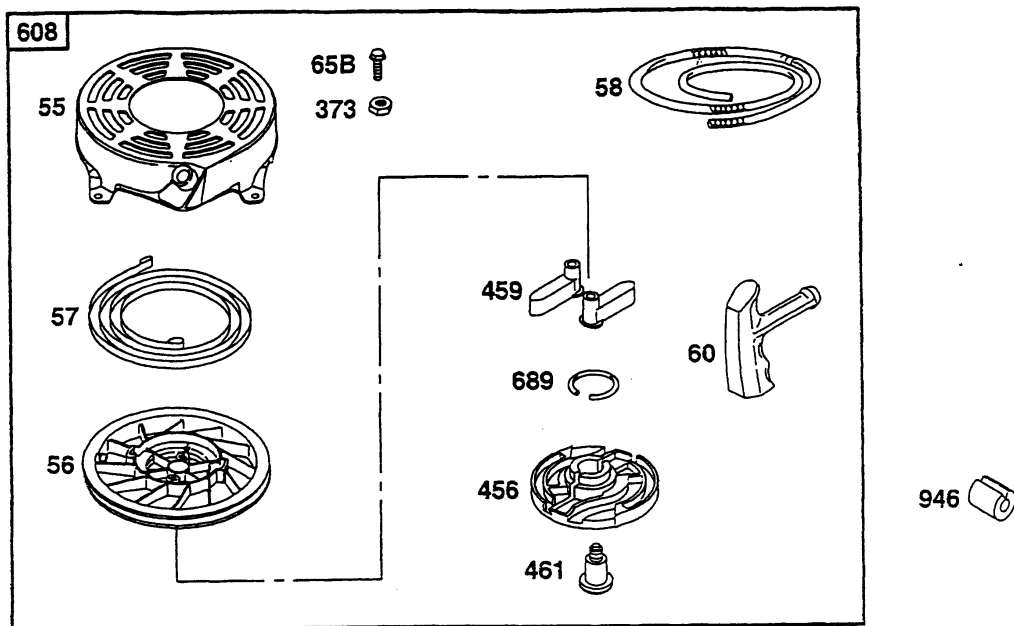
Quantum 50 XTE Polrad, Lfterhaube
Quantum 50 XTE flywheel, blower housing



Quantum 50 XTE Polrad, Lffterhaube
Quantum 50 XTE Flywheel, blower housing

| Bild-Nr. / Ref. No. | Best.-Nr. / Part No. | Bezeichnung | Description | Part No. B & S |
|--------------------------------|---------------------------------|--------------------|--------------------|-------------------------------|
| 23B | 2069 179 | Schwungrad schw. | flywheel | 492893 |
| 37 | 2058 306 | Schutzblech | guard - flywheel | 224511 |
| 304 | 2063 315 | Lfftergehuse | housing - blower | 493294 |
| 305 | 2057 106 | Schraube | screw | 94744 |
| 332 | 2069 132 | Mutter | nut | 92284 |
| 363 | 2062 057 | Abzieher | flywheel puller | 19069 |
| 455 | 2057 306 | Starterschale | cup - flywheel | 225121 |

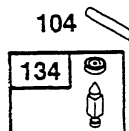
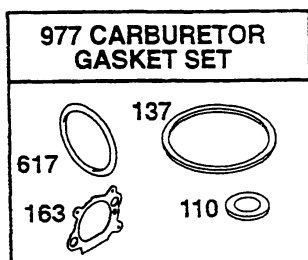
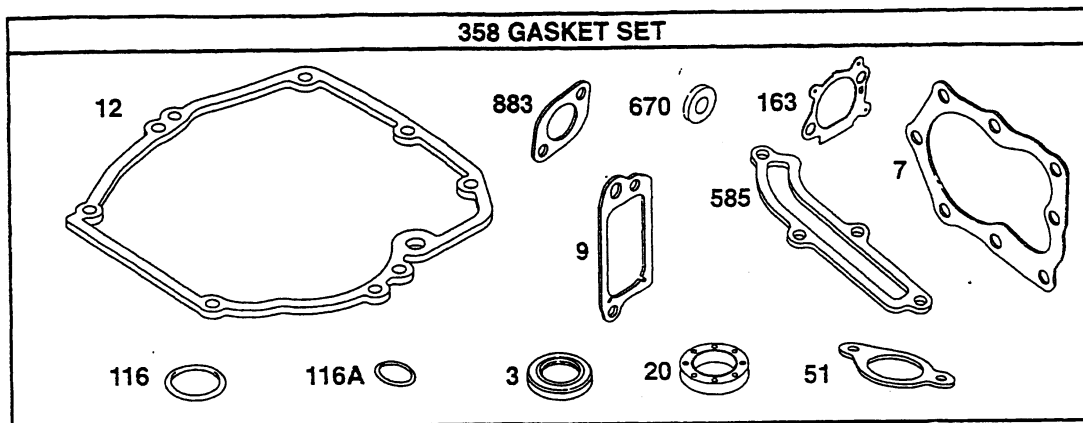
Quantum 50 XTE Starter
Quantum 50 XTE rewind - starter



Quantum 50 XTE Starter
Quantum 50 XTE Rewind - starter

| Bild-Nr. / Ref. No. | Best.-Nr. / Part No. | Bezeichnung | Description | Part No. B & S |
|--------------------------------|---------------------------------|--------------------|--------------------------|-------------------------------|
| 55 | 2069 121 | StartergehÄuse | housing - rewind starter | 497440 |
| 56 | 2069 122 | Starterseilscheibe | pulley | 281504 |
| 57 | 2069 123 | Starterfeder | spring | 263074 |
| 58 | 2063 604 | Starterseil | rope - starter | 280399 |
| 60 | 2069 300 | Startergriff | grip - starter rope | 281434 |
| 456 | 2069 301 | Federhalter | plate - pawl friction | 281503 |
| 459 | 2069 302 | Klinke | pawl - ratchet | 281505 |
| 461 | 2069 124 | Schraube | screw | 94943 |
| 608 | 2069 012 | Starter kpl. | starter - rewind compl. | 497680 |
| 689 | 2069 125 | Sprungfeder | spring - friction | 263073 |
| 946 | 2063 612 | Seilklemme | stop - rope | 223294 |

Quantum 50 XTE Dichtungssatz
Quantum 50 XTE gasket set



Quantum 50 XTE Dichtungssatz
Quantum 50 XTE Gasket set

| Bild-Nr. / Ref. No. | Best.-Nr. / Part No. | Bezeichnung | Description | Part No. B & S |
|------------------------|-------------------------|----------------------------------|------------------------------------|-------------------|
| 3 | 2057 352 | Simmerring (oben) | seal - oil (magneto side) | 299819 |
| 7 | 2063 103 | Zylinderkopfdichtung | gasket - cylinder head | 272916 |
| 9 | 2058 301 | Dichtung (f. Entlüfter) | gasket - breather | 272481 |
| 12 | 2063 107 | Dichtung (f. Ölwanne) | gasket - crankcase | 272198 |
| 20 | 2063 112 | Simmerring (unten) | seal - oil (PTO side) | 399781 |
| 51 | 2063 207 | Dichtung (f. Eingang) | gasket - intake | 272199 |
| 94 | 2058 403 | Nadelventil | kit - idle mixture | 493765 |
| 104 | 2057 120 | Stift | pin - float hinge | 231371 |
| 116 | 2063 211 | Dichtung (f. Ölrohr) | gasket | 280393 |
| 116A | 2063 216 | Dichtung (f. Ölrohr) | gasket | 280966 |
| 134 | 2003 411 | Schwimmernadelventil | kit - needle/seat | 398188 |
| 137 | 2069 316 | Dichtung (für Schwimmerkappe) | gasket - float bowl | 693981 |
| 163 | 2059 220 | Dichtung (f. Luftfilter) | gasket - air cleaner | 272653 |
| 358 | 2069 021 | Dichtungssatz Motor | gasket set - engine | 497316 |
| 585 | 2063 209 | Dichtung (f. Gehäuse) | gasket - breather passage | 272238 |
| 617 | 1034 428 | O - Ring (für Vergaser) | seal - o ring (intake manifold) | 270344 |
| 670 | 2058 407 | Distanzstück | spacer | 493823 |
| 883 | 2059 501 | Auspuffdichtung | gasket - exhaust | 272253 |
| 977 | 2059 223 | Dichtungssatz Vergas. | gasket set - carburetor | 490937 |