

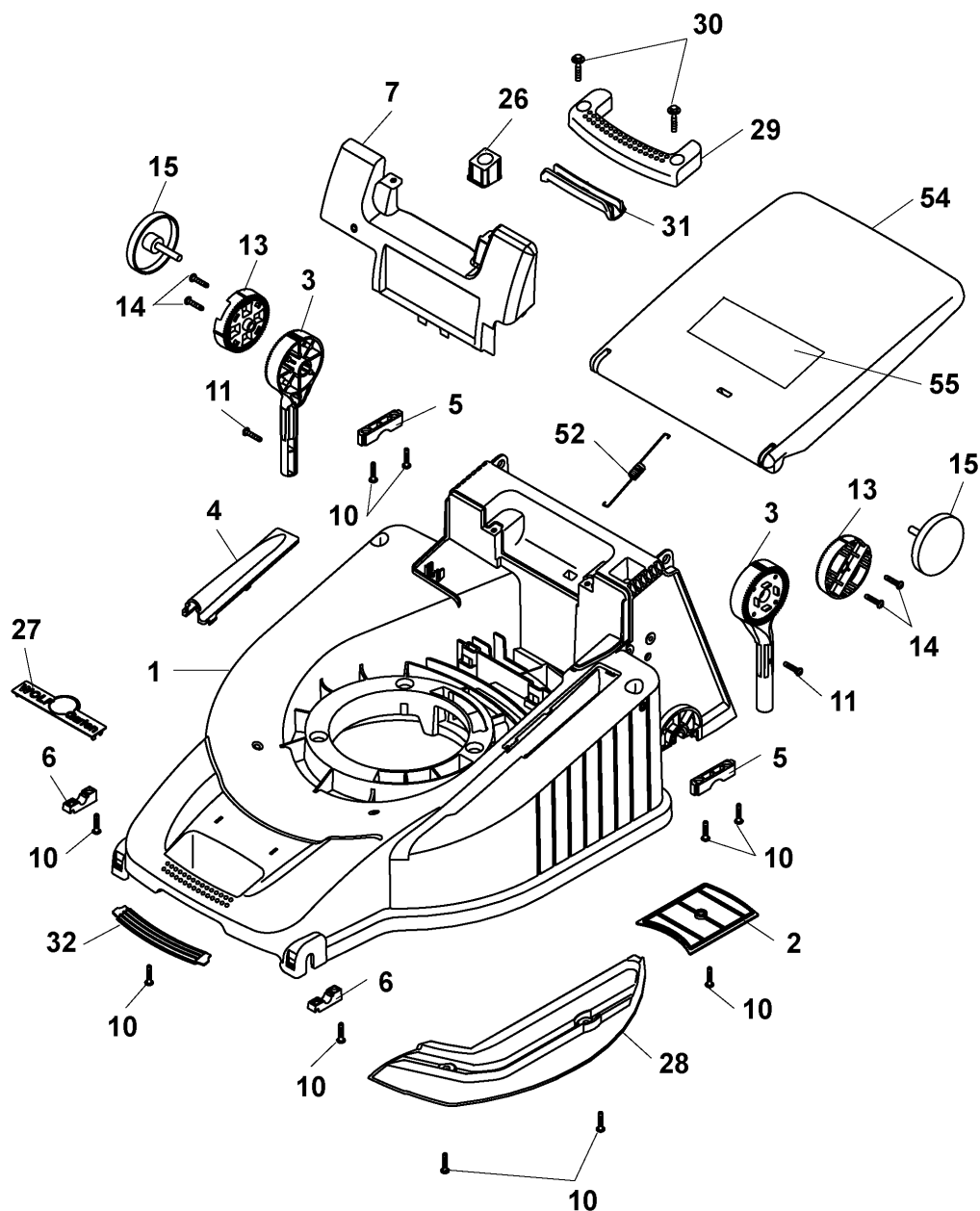
## Power Edition 40 H, Serie B / Series B

### Ausstattung Benzinmäher / Equipment Petrol-mowers

|   |  |
|---|--|
| Typ / Kurzbez. / order code   | Power Edition 40 H   |
| Ausführung für / version for  | International  |
| Geräte - Nr. / article number   | 4011005  |
| Schnittbreite / cutting width   | 40 cm  |
| Chassismaterial / chassis   | Kunststoff / high-quality plastic  |
| Gewicht / weight  | 26 kg  |
| Lautstärke / noise level  | 96 dB (A)  |
| Ø Rad vorne / front wheel diameter  | 17 cm  |
| Ø Rad hinten / rear wheel diameter  | 20 cm  |
| Ausführung Räder / version wheels   | Soft, Kugellager / soft, ball bearing  |
| Höhenverstellung / height adjustment  | zentral 5-fach / central, five-fold  |
| Schnitthöhe (cm) / cutting height   | 2,5 cm - 7,2 cm  |
| Antrieb / power drive   | nein / no  |
| Motor - Hersteller / motor producer   | Honda  |
| Motor-Modell / motor-type   | GCV 160  |
| Spezifikation / specification   | A2E  |
| Motor - Nr. WOLF / motor-number   | 2098000  |
| Nennleistung / nominal capacity   | 3,1 kW (4,2 PS)  |
| Zündkerze / spark plug  | NGK BPR 5 ES, Art.Nr. / part no. 2095306   |
| Griffgestänge / handle bar  | Holmstart / bar start  |
| Fangkorb / collector box  | 56 L, Füllstandsanzeige / grass box fill indicator<br>Artikel-Nr. 4950065 / part no. 4950065 |
| <u>Drehmomente Chassis / torque settings,<br/>chassis fasteners:</u>                  |  |
| Achsbefest. (Lagerschale vorne/hinten) /<br>axle fastening (bearing shell front/rear) | 2-3 Nm   |
| Radbefestigung / wheel fastening  | 10 Nm  |
| Führung Höhenverstellung /<br>guide height-adjustment                                 | 2-3 Nm   |
| Windkanaleinlage - Chassis /<br>wind tunnel insert - chassis                          | 2-3 Nm   |
| Stehbolzen an Motor / stud bolt to motor  | 16-20 Nm   |
| Stehbolzen an Chassis /<br>stud bolt to chassis                                       | 12-14 Nm   |
| Chassisabdeckung + Griff /<br>chassis covering + handle                               | 2-3 Nm   |
| Messerbalken an Motorwelle /<br>cutter bar to motor shaft                             | 38-42 Nm   |
| Keilriemenabdeckung / v-belt cover  | 2-3 Nm   |

**(D) Power Edition 40 H 4011 005, Serie B, Chassis**

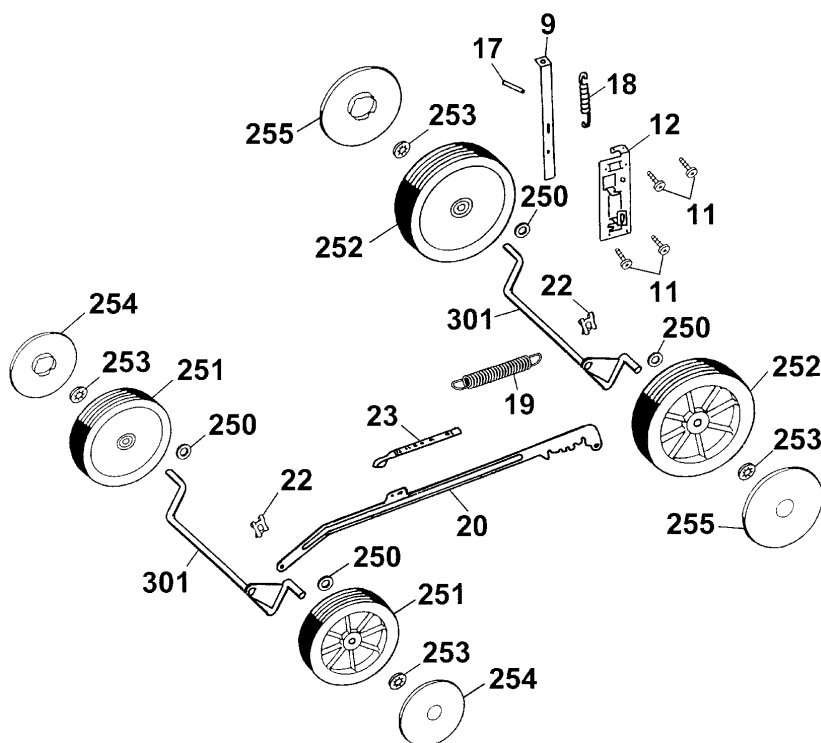
**(GB) Power Edition 40 H 4011 005, Series B, Chassis**



## Power Edition 40 H Chassis

| Bild-Nr. /<br>Ref. No. | Best.-Nr. /<br>Part No. | Bezeichnung                   | Description                   |
|------------------------|-------------------------|-------------------------------|-------------------------------|
| 1                      | 4001 300                | Chassis                       | chassis                       |
| 2                      | 4961 324                | Keilriemenabdeckung           | v-belt cover                  |
| 3                      | 4950 030                | Griffhalter (2 Stück)         | handle-fixing (2 pieces)      |
| 4                      | 4601 315                | Hutze                         | cover                         |
| 5                      | 4961 313                | Stützschale, hinten (2 Stück) | rear support shell (2 piec.)  |
| 6                      | 4961 312                | Stützschale, vorne (2 Stück)  | front support shell (2 piec.) |
| 7                      | 4001 310                | Chassisabdeckung              | chassis cover                 |
| 10                     | 0012 631                | Schraube (10 Stück)           | screw (10 pieces)             |
| 11                     | 0010 931                | Schraube (2 Stück)            | screw (2 pieces)              |
| 13                     | 4950 126                | Verstellring (2 Stück)        | adjusting ring (2 pieces)     |
| 14                     | 0010 933                | Schraube (4 Stück)            | screw (4 pieces)              |
| 15                     | 4950 010                | Handrad (2 Stück)             | handwheel (2 pieces)          |
| 26                     | 4961 304                | Knopf                         | button                        |
| 27                     | 0051 115                | WOLF-Garten Marke             | WOLF-Garten brand             |
| 28                     | 4001 311                | Windkanalabdeckung            | wind tunnel cover             |
| 29                     | 4601 303                | Tragegriff, hinten            | rear carrying handle          |
| 30                     | 0012 639                | Schraube (2 Stück)            | screw (2 pieces)              |
| 31                     | 4601 308                | Griffschale, hinten           | rear handle spill             |
| 32                     | 4601 309                | Griffschale, vorne            | front handle spill            |
| 52                     | 4961 108                | Zugfeder                      | tension spring                |
| 54                     | 4628 302                | Schutzklappe (rot)            | rear flap (red)               |
| 55                     | 0051 246                | Sicherheitsetik./Pictogramm   | safety label                  |

- Ⓓ Power Edition 40 H 4011 005, Serie B, Achse, Räder, Höhenverstellung
- ⒼⒷ Power Edition 40 H 4011 005, Series B, Axle, Wheels, Height-adjustment

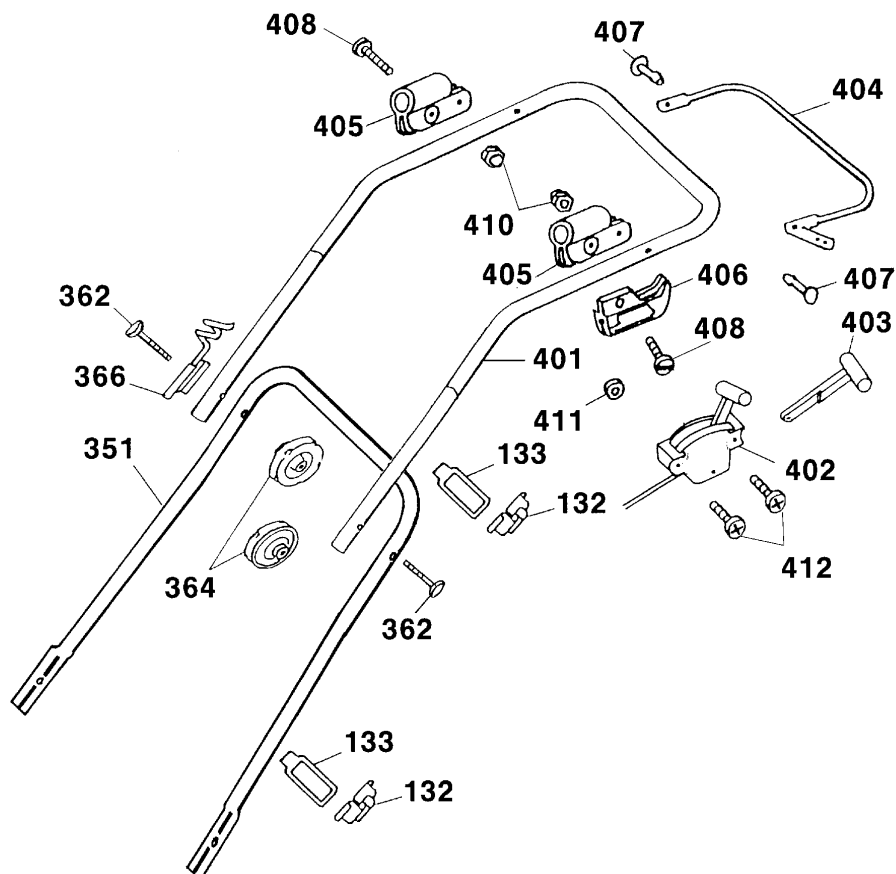


**Power Edition 40 H Achse, Räder, Höhenverstellung**  
**Power Edition 40 H Axle, Wheels, Height-adjustment**

| <b>Bild-Nr. /<br/>Ref. No.</b> | <b>Best.-Nr. /<br/>Part No.</b> | <b>Bezeichnung</b>                        | <b>Description</b>                          |
|--------------------------------|---------------------------------|---|---|
| 9                              | 4961 512                        | Rasthebel                                 | lock lever                                  |
| 11                             | 0010 931                        | Schraube (4 Stück)                        | screw (4 pieces)                            |
| 12                             | 4001 110                        | Führung                                   | guiding                                     |
| 17                             | 0018 878                        | Spannstift                                | dowel pin                                   |
| 18                             | 4961 514                        | Zugfeder                                  | tension spring                              |
| 19                             | 4961 107                        | Zugfeder Verbindungs-<br>stange           | tension spring connecting<br>rod            |
| 20                             | 4001 504                        | Verbindungsstange                         | connecting rod                              |
| 22                             | 0020 981                        | SL-Sicherung                              | retaining clip                              |
| 23                             | 4001 306                        | Höhenanzeiger                             | height-position indicator                   |
| 250                            | 0017 112                        | Scheibe (4 Stück)                         | washer (4 pieces)                           |
| 251                            | 6440 050                        | Rad 170 mm Ø (2 St.)                      | wheel 170 mm dia. (2 piec.)                 |
| 252                            | 6440 051                        | Rad 200 mm Ø (2 St.)                      | wheel 200 mm dia. (2 piec.)                 |
| ***                            | 4960 516                        | Kugellager, Kunststoff<br>(2 Stück / Rad) | ball bearing, plastic<br>(2 pieces / wheel) |
| 253                            | 0020 700                        | Schnellbefestiger (4 Stück)               | quick-fixing device (4 piec.)               |
| 254                            | 6450 520                        | Radkappe 170 mm Ø (2 St.)                 | hub cap 170 mm dia. (2 p.)                  |
| 255                            | 6450 530                        | Radkappe 200 mm Ø (2 St.)                 | hub cap 200 mm dia. (2 p.)                  |
| 301                            | 4961 011                        | Achse (2 Stück)                           | axle (2 pieces)                             |

**D** Power Edition 40 H 4011 005, Serie B, Griff kpl.

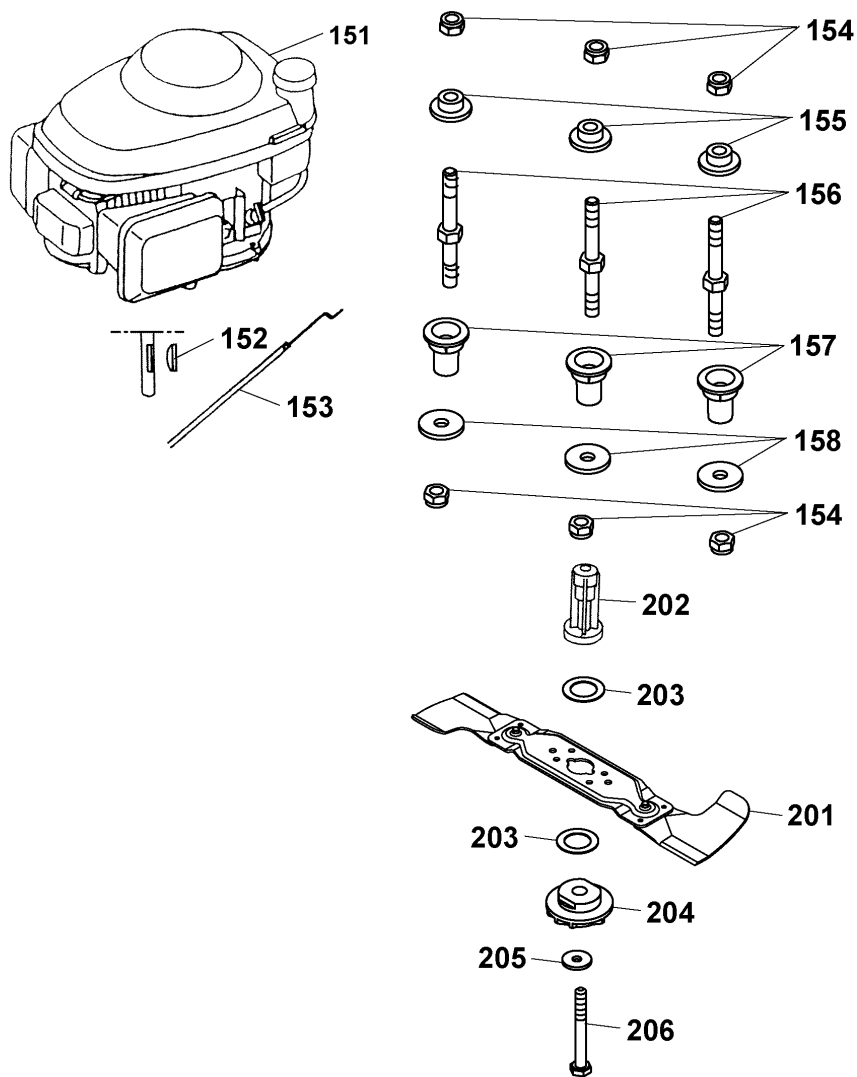
**GB** Power Edition 40 H 4011 005, Series B, Handlebar compl.



**Power Edition 40 H Griff kpl.  
Power Edition 40 H Handlebar compl.**

| Bild-Nr. /<br>Ref. No. | Best.-Nr. /<br>Part No. | Bezeichnung                         | Description                   |
|------------------------|-------------------------|-------------------------------------|-------------------------------|
| 132                    | 6340 312                | Klammer (2 Stück)                   | clamp (2 pieces)              |
| 133                    | 6340 314                | Schlaufe (2 Stück)                  | strap (2 pieces)              |
| 351                    | 4011 122                | Griffunterteil                      | lower handlebar               |
| 362                    | 4901 101                | Verbindungsschr. (2 St.)            | binding screw (2 piec.)       |
| 364                    | 4936 022                | Handrad (2 Stück)                   | handwheel (2 pieces)          |
| 366                    | 6340 014                | Seilführung                         | routing                       |
| 401                    | 4720 023                | Griffoberteil                       | upper handlebar               |
| 402                    | 4011 056                | Schaltgehäuse mit<br>Bowdenzug, Gas | case with bowden wire,<br>gas |
| ***                    | 6450 325                | Schaltgehäuse, rechts               | case, right                   |
| ***                    | 6450 326                | Schaltgehäuse, links                | case, left                    |
| 403                    | 4011 040                | Schalthebel                         | shift lever                   |
| 404                    | 4001 013                | Bremshebel                          | brake lever                   |
| 405                    | 4720 105                | Schelle (2 Stück)                   | clamp (2 pieces)              |
| 406                    | 4760 106                | Stütze                              | support                       |
| 407                    | 4720 109                | Bolzen (2 Stück)                    | bolt (2 pieces)               |
| 408                    | 0012 211                | Zylinderschraube (2 St.)            | screw (2 pieces)              |
| 410                    | 0016 641                | Hutmutter (2 Stück)                 | nut (2 pieces)                |
| 411                    | 4240 205                | Distanzscheibe                      | washer                        |
| 412                    | 0012 886                | PT-Schraube (2 Stück)               | screw (2 pieces)              |
| ***                    | 0054 263                | Gebrauchsanweisung                  | operator manual               |

- Ⓓ Power Edition 40 H 4011 005, Serie B, Motor, Messer
- ⒼⒷ Power Edition 40 H 4011 005, Series B, Motor, Blade



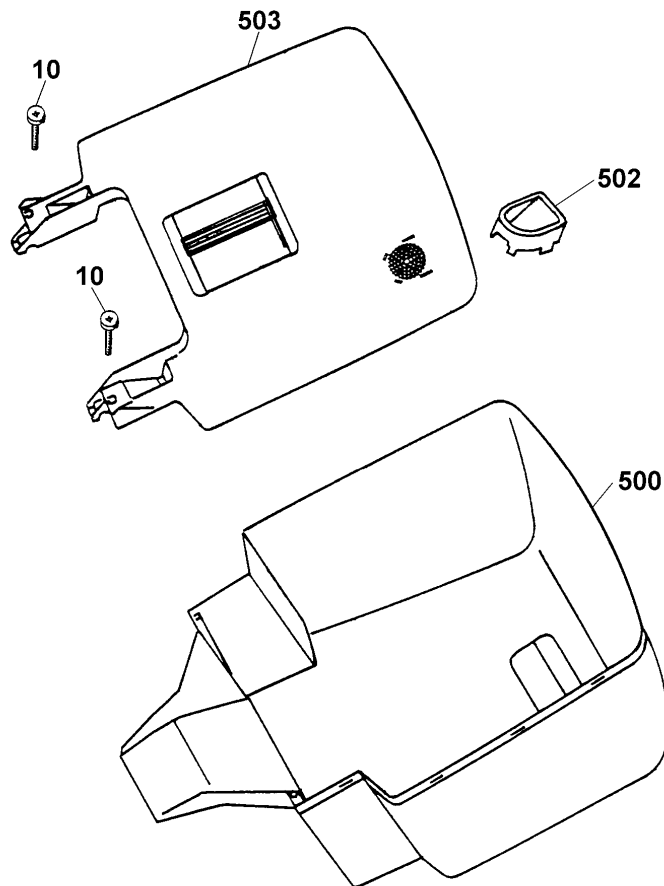


**Power Edition 40 H Motor, Messer**  
**Power Edition 40 H Motor, Blade**

| <b>Bild-Nr. /<br/>Ref. No.</b> | <b>Best.-Nr. /<br/>Part No.</b> | <b>Bezeichnung</b>          | <b>Description</b>         |
|--------------------------------|---------------------------------|-----------------------------|----------------------------|
| 151                            | 2098 000                        | Motor Honda                 | motor Honda                |
| 152                            | 0029 130                        | Scheibenfeder               | woodruff key               |
| 153                            | 4005 058                        | Bowdenzug, Bremse           | bowden wire, brake         |
| 154                            | 0016 312                        | 6kt.-Mutter (6 Stück)       | hex. nut (6 pieces)        |
| 155                            | 4001 172                        | Motorbuchse (3 Stück)       | motor bush (3 pieces)      |
| 156                            | 4001 170                        | Stehbolzen (3 Stück)        | stud bolt (2 pieces)       |
| 157                            | 4601 312                        | Distanzhülse (3 Stück)      | spacer (3 pieces)          |
| 158                            | 0017 111                        | Scheibe (3 Stück)           | washer (3 pieces)          |
| 201                            | 4001 094                        | Messerbalken kpl. VI 40 W   | cutter bar compl. VI 40 W  |
| ***                            | 4350 040                        | Ersatzklingen VI-W (1 Paar) | repl. blades VI-W (1 pair) |
| 202                            | 4601 402                        | Kupplungsbuchse             | coupling                   |
| 203                            | 4005 403                        | Kupplungsbelag (2 Stück)    | clutch facing (2 pieces)   |
| 204                            | 4840 402                        | Kupplungsscheibe            | coupling disc              |
| 205                            | 0017 105                        | Spannscheibe                | strain washer              |
| 206                            | 0010 264                        | 6kt.-Schraube               | hex. screw                 |

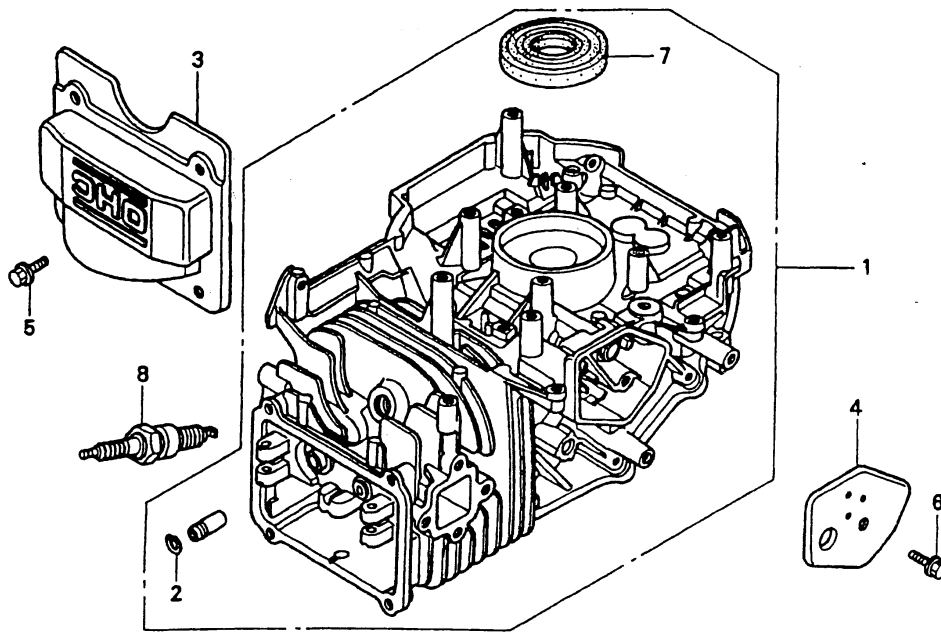
Ⓓ Fangkorb komplett 4950 065

ⒼⒷ Grass box compl. 4950 065



| Bild-Nr. /<br>Ref. No. | Best.-Nr. /<br>Part No. | Bezeichnung        | Description              |
|------------------------|-------------------------|--------------------|--------------------------|
| 10                     | 0012 631                | Schraube (2 St¼ck) | screw (2 pieces)         |
| 500                    | 4961 311                | Fangkorbunterteil  | grass box under part     |
| 501                    | 4936 061                | F¼llstandsanzeige  | grass box fill indicator |
| 503                    | 4961 061                | Fangkorboberteil   | grass box upper part     |

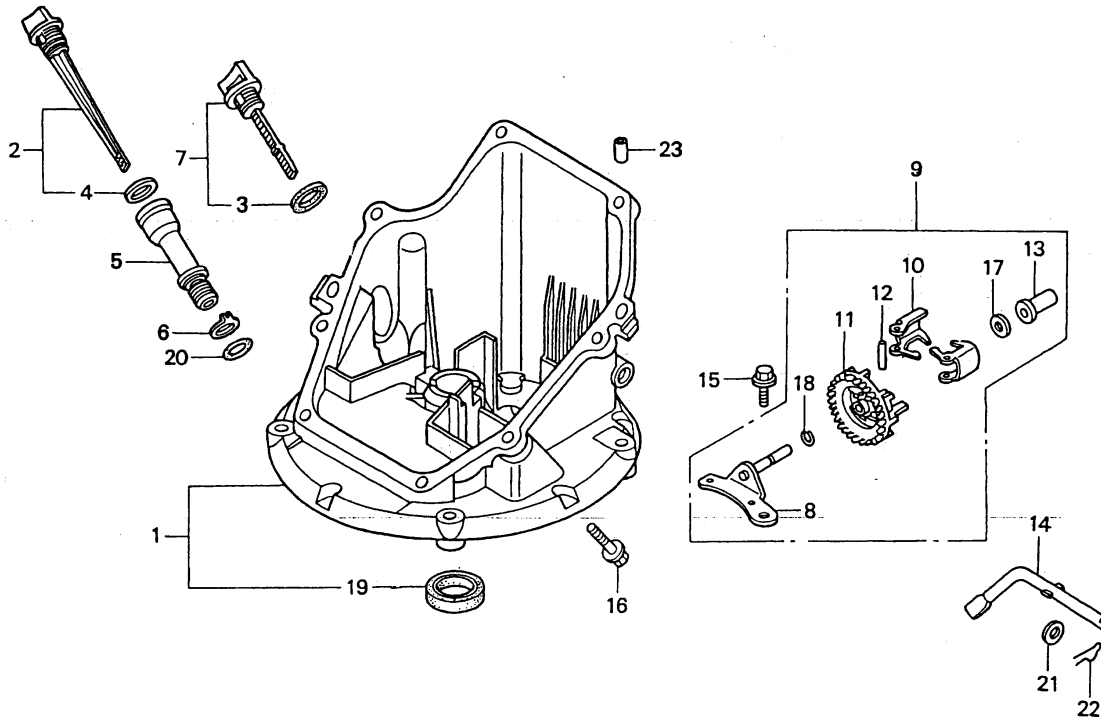
GCV 160 - A2 Zylinder, cylinder assembly



**GCV 160 - A2 Zylinder**  
**GCV 160 - A2 cylinder assembly**

| Bild-Nr. /<br>Ref. No. | Best.-Nr. /<br>Part No. | Bezeichnung        | Description    | Part No.<br>Honda |
|------------------------|-------------------------|--------------------|----------------|-------------------|
| 1                      | 2098 050                | Zylinder           | cylinder       | 12000-ZL8-000     |
| 2                      | 2098 138                | Wellensicherung    | clip           | 12216-ZE5-300     |
| 3                      | 2098 424                | Zylinderkopfdeckel | cover-head     | 12311-ZL8-000     |
| 4                      | 2098 400                | Deckel             | cover-breather | 12355-ZL8-000     |
| 5                      | 2098 105                | Schraube           | screw          | 90013-883-000     |
| 6                      | 2098 106                | Schraube           | screw          | 90014-952-000     |
| 7                      | 2098 318                | Simmering          | oil-seal       | 91201-ZL8-003     |
| 8                      | 2095 306                | Zündkerze          | plug-spark     | 98079-56846       |

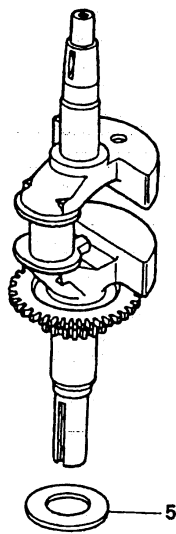
GCV 160 - A2 Ölwanne, sump-engine



**GCV 160 - A2 Ölwanne**  
**GCV 160 - A2 sump-engine**

| <b>Bild-Nr. /<br/>Ref. No.</b> | <b>Best.-Nr. /<br/>Part No.</b> | <b>Bezeichnung</b> | <b>Description</b> | <b>Part No.<br/>Honda</b> |
|--------------------------------|---------------------------------|--------------------|--------------------|---------------------------|
| 1                              | 2098 351                        | Ölwanne            | pan-assy           | 11300-ZM0-800             |
| 2                              | 2098 413                        | Ölmeßstab          | gauge-oil level    | 15620-ZG1-700             |
| 4                              | 2098 311                        | Dichtung-Meßstab   | packing-oil cap    | 15625-ZE6-000             |
| 5                              | 2098 410                        | Öleinfüllrohr      | extension-oil      | 15631-ZM0-000             |
| 6                              | 2098 135                        | Scheibe            | washer             | 15639-ZM0-000             |
| 7                              | 2098 407                        | Ölmeßstab          | gauge-oil level    | 15651-ZM0-800             |
| 8                              | 2098 415                        | Halter             | shaft-holder       | 16508-ZM0-000             |
| 9                              | 2098 028                        | Regler kpl.        | governor           | 16510-ZM0-000             |
| 10                             | 2098 416                        | Reglergewicht      | weight-governor    | 16511-ZL8-000             |
| 11                             | 2098 417                        | Reglerverzahnung   | holder-governor    | 16512-ZM0-000             |
| 12                             | 2098 134                        | Stift              | pin                | 16513-ZE1-000             |
| 13                             | 2098 139                        | Reglerspule        | slider-governor    | 16531-ZE1-000             |
| 14                             | 2098 418                        | Reglerarm          | arm-governor       | 16541-ZM0-000             |
| 15                             | 2098 106                        | Schraube           | screw              | 90014-952-000             |
| 16                             | 2098 110                        | Schraube           | screw              | 90121-952-000             |
| 17                             | 2098 115                        | Druckscheibe       | washer             | 90451-ZE1-000             |
| 18                             | 2098 117                        | Klemme             | clip               | 90602-ZE1-000             |
| 19                             | 2098 319                        | Dichtung-Ölrohr    | oil-seal           | 91202-ZL8-003             |
| 20                             | 2098 321                        | O-Ring             | o-ring             | 91313-MB0-003             |
| 21                             | 2098 123                        | Scheibe            | washer             | 94101-06800               |
| 22                             | 2098 125                        | Sicherung          | pin-lock           | 94251-08000               |
| 23                             | 2098 126                        | Paßstift           | pin-dowel          | 94301-08200               |

**GCV 160 - A2 Kurbelwelle, crankshaft**

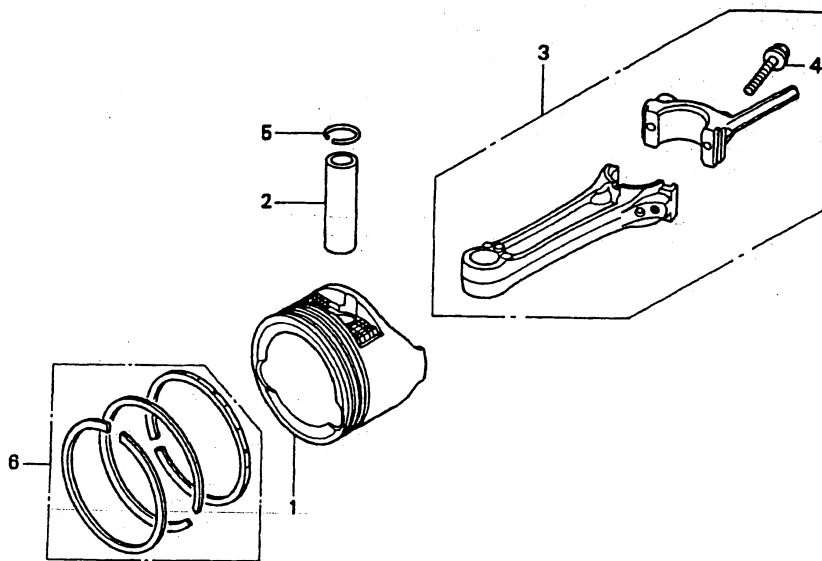


**GCV 160 - A2 Kurbelwelle**  
**GCV 160 - A2 crankshaft**

| Bild-Nr. /<br>Ref. No. | Best.-Nr. /<br>Part No. | Bezeichnung  | Description | Part No.<br>Honda |
|------------------------|-------------------------|--------------|-------------|-------------------|
| 2                      | 2098 421                | Kurbelwelle  | crankshaft  | 13310-ZM0-600     |
| 5                      | 2098 114                | Druckscheibe | washer      | 90402-ZL8-000     |



GCV 160 - A2 Kolben, piston

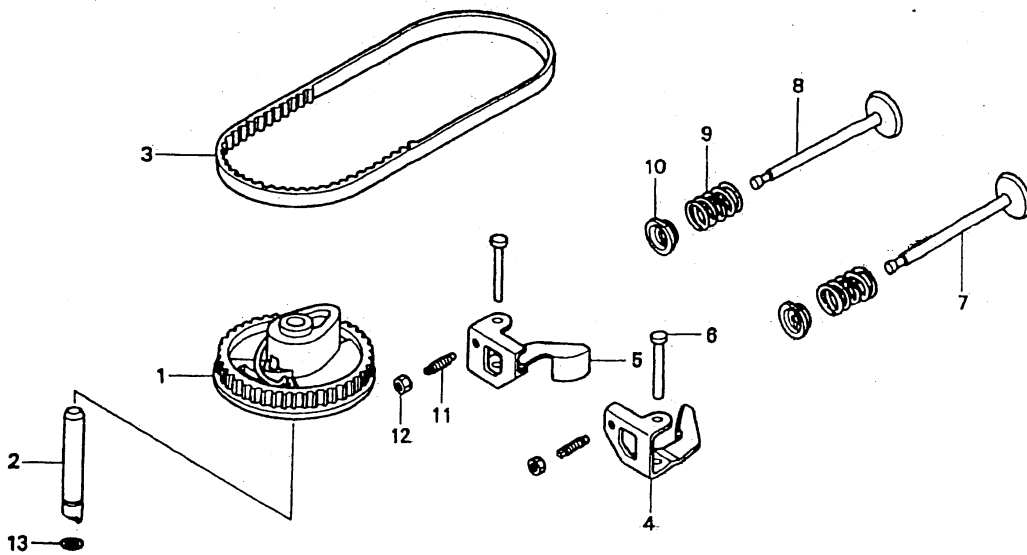


**GCV 160 - A2 Kolben**

**GCV 160 - A2 piston**

| <b>Bild-Nr. /<br/>Ref. No.</b> | <b>Best.-Nr. /<br/>Part No.</b> | <b>Bezeichnung</b> | <b>Description</b> | <b>Part No.<br/>Honda</b> |
|--------------------------------|---------------------------------|--------------------|--------------------|---------------------------|
| 1                              | 2098 401                        | Kolben             | piston             | 13101-ZL8-000             |
| 2                              | 2098 425                        | Kolbenbolzen       | pin-piston         | 13111-ZE0-000             |
| 3                              | 2098 013                        | Pleuelstange       | pod-connecting     | 13200-ZL8-000             |
| 4                              | 2098 100                        | Schraube           | screw              | 90001-ZE1-000             |
| 5                              | 2098 116                        | Wellensicherung    | clip               | 90551-ZE0-000             |

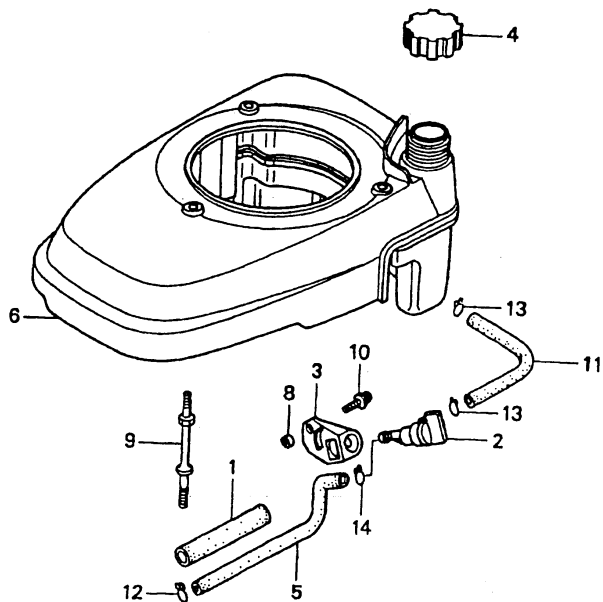
GCV 160 - A2 Ventile, valve



**GCV 160 - A2 Ventile**  
**GCV 160 - A2 valves**

| <b>Bild-Nr. /<br/>Ref. No.</b> | <b>Best.-Nr. /<br/>Part No.</b> | <b>Bezeichnung</b> | <b>Description</b> | <b>Part No.<br/>Honda</b> |
|--------------------------------|---------------------------------|--------------------|--------------------|---------------------------|
| 1                              | 2098 411                        | Riemenscheibe      | pulley-camshaft    | 14320-ZL8-000             |
| 2                              | 2098 426                        | Welle              | shaft-cam pulley   | 14324-ZL8-000             |
| 3                              | 2098 322                        | Zahnriemen         | belt-timing        | 14400-ZL8-003             |
| 4                              | 2098 402                        | Kipphebel Einlass  | rocker-arm in.     | 14431-ZL8-000             |
| 5                              | 2098 403                        | Kipphebel Auslass  | rocker-arm ex.     | 14441-ZL8-000             |
| 6                              | 2098 412                        | Stift              | shaft              | 14461-ZL8-000             |
| 7                              | 2098 404                        | Einlassventil      | valve-in.          | 14711-ZL8-000             |
| 8                              | 2098 405                        | Auslassventil      | valve-ex.          | 14721-ZL8-000             |
| 9                              | 2098 137                        | Ventilfeder        | spring-valve       | 14751-ZL8-000             |
| 10                             | 2098 136                        | Federteller        | retainer           | 14771-ZE1-000             |
| 11                             | 2098 104                        | Schraube           | screw              | 90012-333-000             |
| 12                             | 2098 112                        | Mutter             | nut                | 90206-001-000             |
| 13                             | 2098 320                        | O-Ring             | o-ring             | 91301-027-000             |

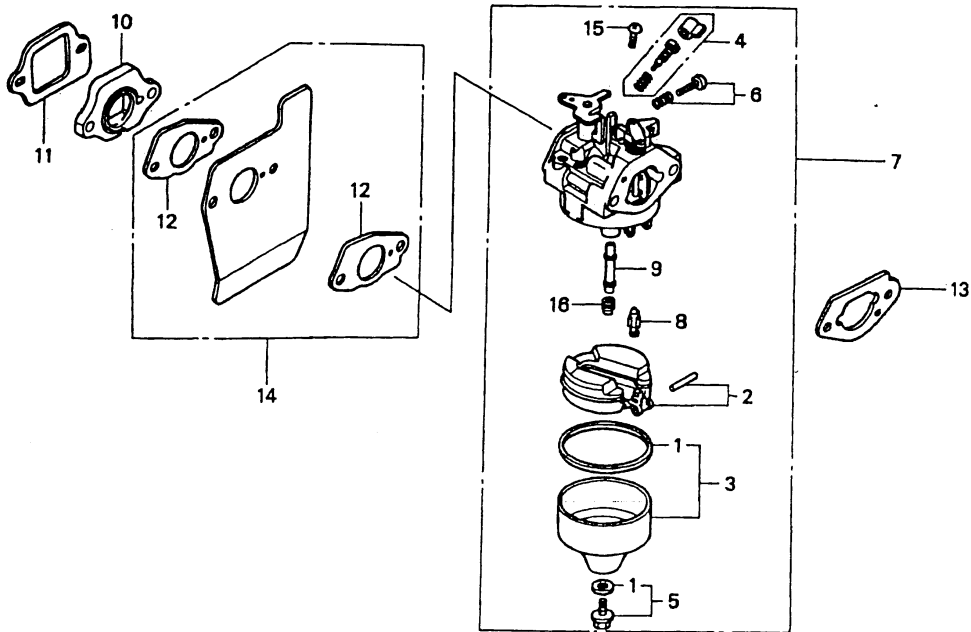
GCV 160 - A2 KraftstoffbehÄ¶ler, tank fuel



**GCV 160 - A2 KraftstoffbehÄlter**  
**GCV 160 - A2 fuel tank**

| Bild-Nr. /<br>Ref. No. | Best.-Nr. /<br>Part No. | Bezeichnung    | Description      | Part No.<br>Honda |
|------------------------|-------------------------|----------------|------------------|-------------------|
| 1                      | 2098 302                | Schutzschlauch | rubber-supporter | 16854-ZH8-000     |
| 2                      | 2098 140                | Benzinhahn     | cock-fuel        | 16950-ZG9-M02     |
| 3                      | 2098 419                | Stütze         | bracket          | 16956-ZM0-000     |
| 4                      | 2098 327                | Tankdeckel     | cap-fuel tank    | 17620-ZL8-003     |
| 5                      | 2098 303                | Benzinleitung  | tube-fuel        | 17702-ZM0-000     |
| 6                      | 2098 429                | Tank           | tank-fuel        | 19610-ZM0-000ZA   |
| 8                      | 2098 441                | Buchse         | collar           | 33609-GK4-620     |
| 9                      | 2098 109                | Gewindebolzen  | bolt-stud        | 90043-ZL8-000     |
| 10                     | 2098 121                | Schraube       | screw            | 93891-05010-08    |
| 11                     | 2098 300                | Benzinleitung  | tube-fuel        | 95001-55150-40    |
| 12                     | 2098 127                | Sicherung B8   | clip b8          | 95002-02080       |
| 13                     | 2098 128                | Sicherung B10  | clip b10         | 95002-02100       |
| 14                     | 2098 129                | Sicherung C9   | clip c9          | 95002-50000       |

GCV 160 - A2 Vergaser, carburetor

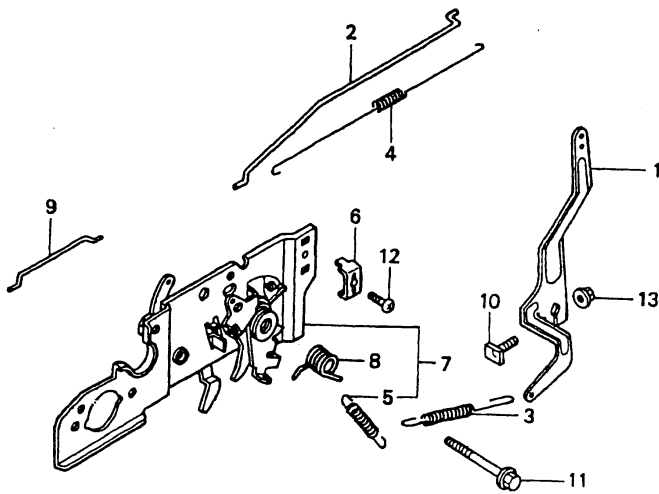


**GCV 160 - A2 Vergaser**  
**GCV 160 - A2 carburetor**

| <b>Bild-Nr. /<br/>Ref. No.</b> | <b>Best.-Nr. /<br/>Part No.</b> | <b>Bezeichnung</b> | <b>Description</b> | <b>Part No.<br/>Honda</b> |
|--------------------------------|---------------------------------|--------------------|--------------------|---------------------------|
| 1                              | 2098 312                        | Dichtung           | packing-set        | 16010-883-015             |
| 2                              | 2098 054                        | Schwimmer kpl.     | float-set          | 16013-ZL1-003             |
| 3                              | 2098 414                        | Schwimmerkappe     | chamber-float      | 16015-892-015             |
| 4                              | 2098 010                        | Schrauben Set      | screw-set          | 16016-892-005             |
| 5                              | 2098 011                        | Schrauben Set      | screw-set          | 16028-ZE0-005             |
| 6                              | 2098 012                        | Schrauben Set      | screw-set          | 16029-ZG0-901             |
| 7                              | 2098 055                        | Vergaser kpl.      | carburetor         | 16000-ZM0-013             |
| 8                              | 2098 409                        | Nadelventil        | valve-float        | 16155-ZM0-003             |
| 9                              | 2098 408                        | Steigrohr          | nozzel-main        | 16166-ZM0-003             |
| 10                             | 2098 314                        | Isolierung         | insulator          | 162111-ZL8-000            |
| 11                             | 2098 315                        | Dichtung           | packing            | 16212-ZL8-000             |
| 12                             | 2098 374                        | Dichtung           | packing            | 16221-883-800             |
| 13                             | 2098 316                        | Dichtung           | packing            | 16228-ZL8-000             |
| 14                             | 2098 015                        | Luffföhrung kpl.   | guide-air          | 19650-ZM-000              |
| 15                             | 2098 120                        | Schraube           | screw              | 93500-05006-1H            |
| 16                             | 2098 328                        | Döse-60            | jet-main #60       | 99101-124-0600            |
| 16                             | 2098 329                        | Döse-62            | jet-main #62       | 99101-124-0620            |
| 16                             | 2098 330                        | Döse-65            | jet-main #65       | 99101-124-0650            |



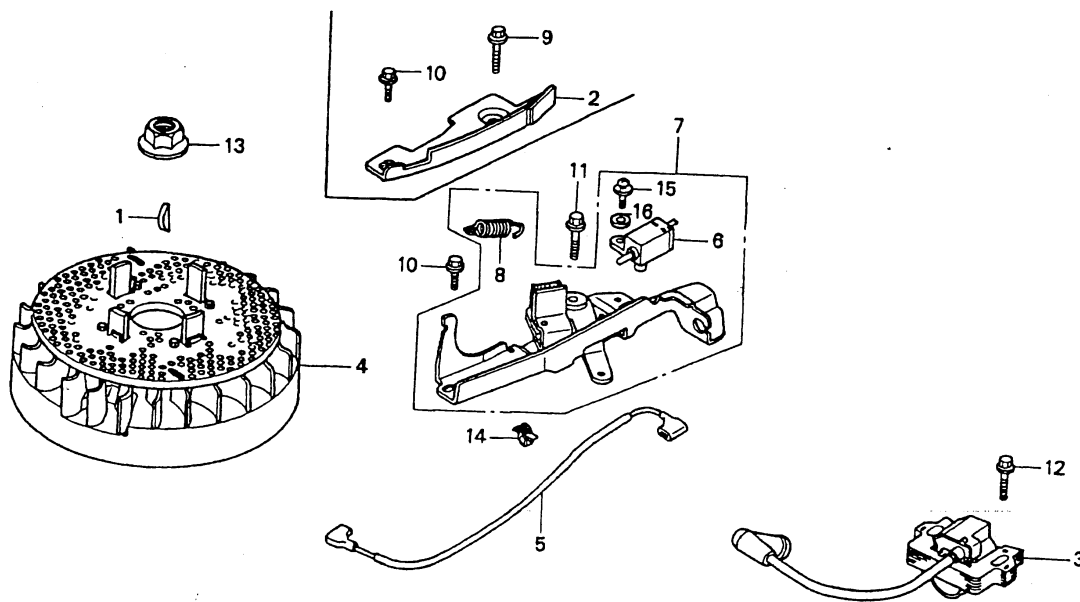
GCV 160 - A2 Regelung, control



**GCV 160 - A2 Regelung**  
**GCV 160 - A2 control**

| <b>Bild-Nr. /<br/>Ref. No.</b> | <b>Best.-Nr. /<br/>Part No.</b> | <b>Bezeichnung</b> | <b>Description</b> | <b>Part No.<br/>Honda</b> |
|--------------------------------|---------------------------------|--------------------|--------------------|---------------------------|
| 1                              | 2098 512                        | Reglerarm          | arm-governor       | 16551-ZM0-000             |
| 2                              | 2098 523                        | Reglerstange       | rod-governor       | 16555-ZM0-000             |
| 3                              | 2098 146                        | Zugfeder           | spring             | 16561-ZM0-000             |
| 4                              | 2098 174                        | Zugfeder           | spring             | 16562-ZM0-000             |
| 5                              | 2098 189                        | Zugfeder           | spring             | 16576-ZE7-300             |
| 6                              | 2098 520                        | Kabelklemme        | holder-cable       | 16576-891-000             |
| 7                              | 2098 192                        | Grundplatte kpl.   | base-control       | 16580-ZM0-000             |
| 8                              | 2098 584                        | Feder              | spring             | 16593-ZM0-000             |
| 9                              | 2098 589                        | Chokestange        | rod-choke          | 16674-ZM0-000             |
| 10                             | 2098 181                        | Schraube           | screw              | 90015-ZE5-010             |
| 11                             | 2098 590                        | Schraube           | screw              | 90016-ZM0-000             |
| 12                             | 2098 575                        | Schraube           | screw              | 93500-05016-0A            |
| 13                             | 2098 581                        | Mutter             | nut                | 94050-06000               |

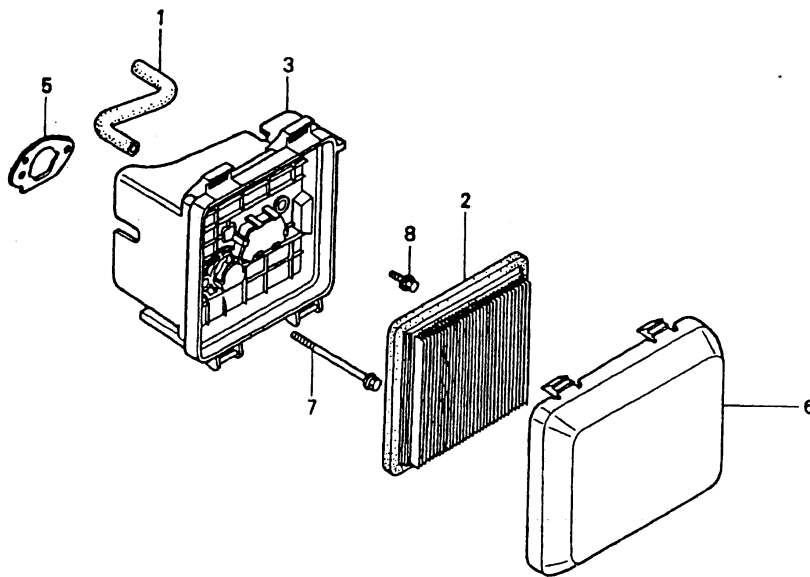
GCV 160 - A2 Polrad, flywheel



**GCV 160 - A2 Polrad**  
**GCV 160 - A2 flywheel**

| <b>Bild-Nr. /<br/>Ref. No.</b> | <b>Best.-Nr. /<br/>Part No.</b> | <b>Bezeichnung</b> | <b>Description</b> | <b>Part No.<br/>Honda</b> |
|--------------------------------|---------------------------------|--------------------|--------------------|---------------------------|
| 1                              | 2098133                         | Schwungradkeil     | key                | 13331-357-000             |
| 2                              | 2098430                         | Bremshebel         | brake-lever        | 19612-ZM0-000             |
| 3                              | 2098438                         | Zündspule          | ignition-coil      | 30500-ZL8-004             |
| 4                              | 2098440                         | Schwungrad         | flywheel           | 31105-ZM0-000             |
| 5                              | 2098439                         | Kabel              | stop-switch        | 32195-ZM0-000             |
| 6                              | 2098443                         | Schalter           | engine-stop        | 35120-ZM0-003             |
| 7                              | 2098444                         | Bremse             | brake              | 75100-ZM0-000             |
| 8                              | 2098478                         | Feder              | spring             | 75113-ZM0-000             |
| 9                              | 2098105                         | Schraube           | screw              | 90013-883-000             |
| 10                             | 2098106                         | Schraube           | screw              | 90014-952-000             |
| 11                             | 2098107                         | Schraube           | screw              | 90018-ZE1-000             |
| 12                             | 2098108                         | Schraube           | screw              | 90022-888-010             |
| 13                             | 2098111                         | Mutter             | nut                | 90201-878-003             |
| 14                             | 2098118                         | Clips              | clip               | 90681-959-003             |
| 15                             | 2098122                         | Schraube           | screw              | 93892-04012-00            |
| 16                             | 2098124                         | Scheibe            | washer             | 94103-04000               |

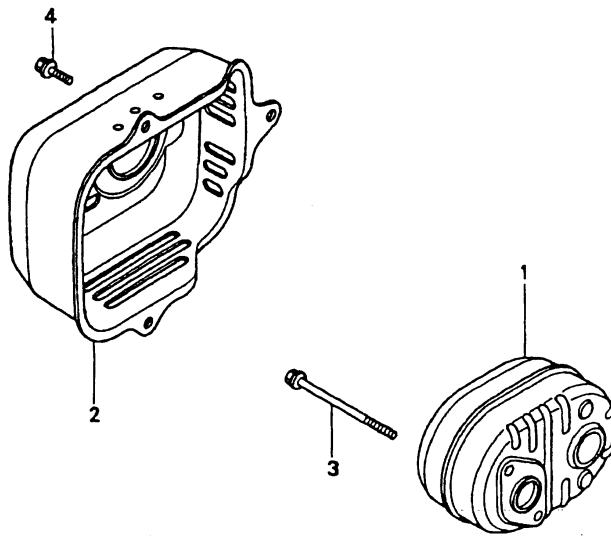
GCV 160 - A2 Luftfilter, air cleaner



**GCV 160 - A2 Luftfilter**  
**GCV 160 - A2 air cleaner**

| <b>Bild-Nr. /<br/>Ref. No.</b> | <b>Best.-Nr. /<br/>Part No.</b> | <b>Bezeichnung</b> | <b>Description</b>  | <b>Part No.<br/>Honda</b> |
|--------------------------------|---------------------------------|--------------------|---------------------|---------------------------|
| 1                              | 2098 301                        | Luftschlauch       | tube-breather       | 15721-ZM0-000             |
| 2                              | 2098 323                        | Luftfilter         | element-air cleaner | 17211-ZL8-000             |
| 3                              | 2098 324                        | FiltergehÄuse      | case-air cleaner    | 17220-ZM0-000             |
| 4                              | 2098 325                        | LuftfÄhrung        | air-conduction      | 17225-ZM0-000             |
| 5                              | 2098 317                        | Dichtung           | packing             | 17228-ZL8-000             |
| 6                              | 2098 326                        | Filterdeckel       | cover               | 17231-ZM0-000             |
| 7                              | 2098 101                        | Schraube           | screw               | 90003-ZM0-000             |
| 8                              | 2098 130                        | Schraube           | screw               | 95701-06014-08            |

**GCV 160 - A2 SchalldÄmpfer, muffler**

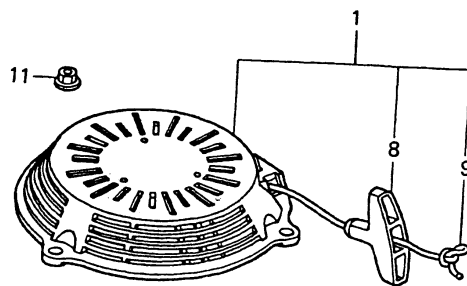


**GCV 160 - A2 SchalldÄmpfer**  
**GCV 160 - A2 muffler**

| <b>Bild-Nr. /<br/>Ref. No.</b> | <b>Best.-Nr. /<br/>Part No.</b> | <b>Bezeichnung</b> | <b>Description</b> | <b>Part No.<br/>Honda</b> |
|--------------------------------|---------------------------------|--------------------|--------------------|---------------------------|
| 1                              | 2098 427                        | Auspuff            | muffler            | 18310-ZM0-000             |
| 2                              | 2098 428                        | Schutzgitter       | protector          | 18321-ZL8-000             |
| 3                              | 2098 102                        | Schraube 6 x 79    | screw 6 x 79       | 90004-ZL8-000             |
| 4                              | 2098 105                        | Schraube 6 x 12    | screw 6 x 12       | 90013-883-000             |



**GCV 160 - A2 Starter, recoil**



**GCV 160 - A2 Starter**  
**GCV 160 - A2 recoil**

| <b>Bild-Nr. /<br/>Ref. No.</b> | <b>Best.-Nr. /<br/>Part No.</b> | <b>Bezeichnung</b> | <b>Description</b> | <b>Part No.<br/>Honda</b> |
|--------------------------------|---------------------------------|--------------------|--------------------|---------------------------|
| 1                              | 2098021                         | Starter kpl.       | recoil-starter     | 28400-ZM0-631ZA           |
| 2                              | 2098355                         | StartergehÄuse     | holder-recoil      | 28414-ZM0-003             |
| 3                              | 2098432                         | Seilrolle          | reel-recoil        | 28421-ZL8-003             |
| 4                              | 2098433                         | Sperrklinge        | pawl-recoil        | 28422-ZL8-003             |
| 5                              | 2098434                         | F¼hrung            | guide-rope         | 28433-ZL8-003             |
| 6                              | 2098131                         | Druckfeder         | spring             | 28441-ZL8-003             |
| 7                              | 2098132                         | Spiralfeder        | spring             | 28442-ZL8-003             |
| 8                              | 2098435                         | Startergriff       | grip               | 28461-ZL8-003             |
| 9                              | 2098437                         | Starterseil        | rope               | 28462-ZL8-631             |
| 10                             | 2098103                         | Schraube           | screw              | 90005-ZL8-003             |
| 11                             | 2098113                         | Mutter-Scheibe     | nut-washer         | 90303-MR1-000             |