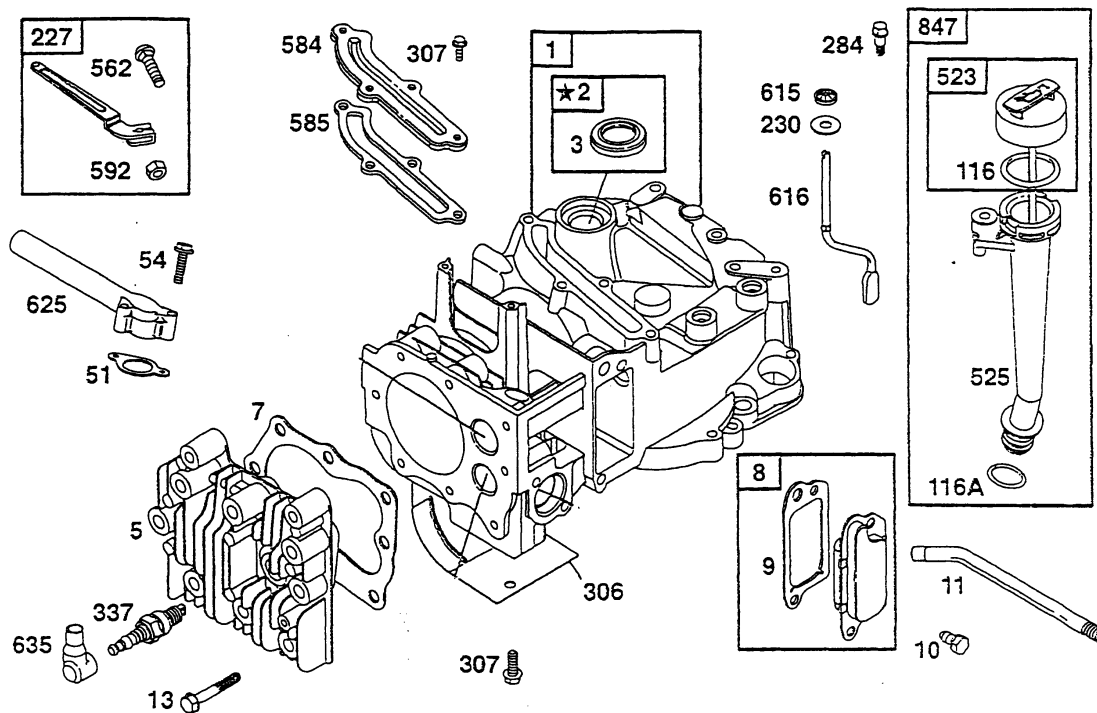


Quantum 50 XTE Kurbelgehäuse

Quantum 50 XTE cylinder assembly



Quantum 50 XTE Kurbelgehäuse

| Bild-Nr. | Best.-Nr. | Bezeichnung | Best.-Nr. B & S |
|----------|-----------|--------------------------------|--------------------|
| 1 | 2058 100 | Zylinder | 493260 |
| 2 | 1034 101 | Lagerbuchse | 293708 |
| 3 | 2057 352 | Simmerring | 299819 |
| 5 | 2069 150 | Zylinderkopf | 214626 |
| 7 | 2063 103 | Zylinderkopfdichtung | 272200 |
| 8 | 2059 300 | Dichtungsventil kpl. | 495786 |
| 9 | 2058 301 | Dichtung-(Ventilationsöffnung) | 272481 |
| 10 | 2057 137 | Schraube | 94955 |
| 11 | 2063 310 | Entlüftungsrohr | 231685 |
| 13 | 2063 108 | Schraube | 94547 |
| 51 | 2063 207 | Eingangsdichtung | 272199 |
| 54 | 2063 208 | Schraube | 94526 |
| 116 | 2063 211 | Ring | 280393 |
| 116A | 2063 216 | Ring | 280966 |
| 227 | 2063 054 | Hebel (Fliehkraftregler) | 492349 |
| 230 | 2063 116 | Scheibe | 67072 |
| 284 | 2063 316 | Schraube | 94511 |
| 306 | 2063 119 | Zylinderschutzschild | 224324 |
| 307 | 2063 120 | Schraube | 94515 |
| 337 | 2058 305 | Zündkerze | 802592 |
| 523 | 2059 206 | Ölmeßstab | 495264 |
| 525 | 2063 212 | Öleinfüllrohr | 495265 |
| 562 | 2069 139 | Schraube | 94852 |
| 584 | 2063 122 | Entlüfterdeckel | 224328 |
| 585 | 2063 209 | Dichtung | 272238 |
| 592 | 2063 123 | Mutter | 231082 |
| 615 | 2063 125 | Halter | 94474 |
| 616 | 2057 163 | Drehhebel (Kurbelantrieb) | 263175 |
| 625 | 2069 168 | Verteilereinlaß | 497465 |
| 635 | 1034 435 | Zündkerzenstecker | 66538 |
| 847 | 2059 058 | Öleinfüllrohr kpl. | 495263 |

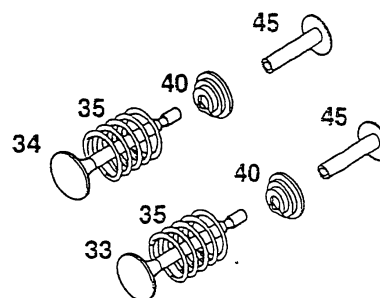
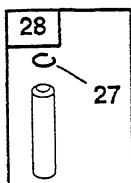
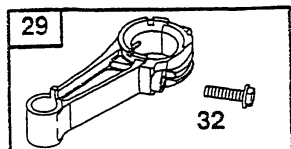
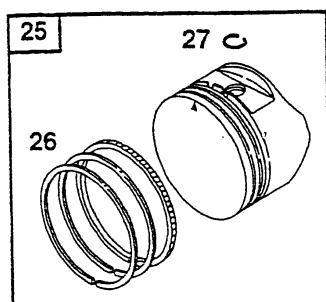
english: see next page

Quantum 50 XTE Cylinder assembly

| Ref. No. | Part No. | Description | Part No. B & S |
|----------|----------|---------------------------|-------------------|
| 1 | 2058 100 | cylinder assembly | 493260 |
| 2 | 1034 101 | kit - bushing/seal | 293708 |
| 3 | 2057 352 | seal - oil | 299819 |
| 5 | 2069 150 | head - cylinder | 214626 |
| 7 | 2063 103 | gasket - cylinder head | 272200 |
| 8 | 2059 300 | breather assembly | 495786 |
| 9 | 2058 301 | gasket - breather | 272481 |
| 10 | 2057 137 | screw | 94955 |
| 11 | 2063 310 | tube - breather | 231685 |
| 13 | 2063 108 | screw | 94547 |
| 51 | 2063 207 | gasket - intake | 272199 |
| 54 | 2063 208 | screw | 94526 |
| 116 | 2063 211 | seal - o ring | 280393 |
| 116A | 2063 216 | seal - o ring | 280966 |
| 227 | 2063 054 | lever - governor control | 492349 |
| 230 | 2063 116 | washer | 67072 |
| 284 | 2063 316 | screw | 94511 |
| 306 | 2063 119 | shield - cylinder | 224324 |
| 307 | 2063 120 | screw | 94515 |
| 337 | 2058 305 | spark plug | 802592 |
| 523 | 2059 206 | dipstick | 495264 |
| 525 | 2063 212 | tube - dipstick | 495265 |
| 562 | 2069 139 | screw | 94852 |
| 584 | 2063 122 | cover - breather passage | 224328 |
| 585 | 2063 209 | gasket - breather passage | 272238 |
| 592 | 2063 123 | nut | 231082 |
| 615 | 2063 125 | retainer - governor shaft | 94474 |
| 616 | 2057 163 | crank - governor | 263175 |
| 625 | 2069 168 | manifold - intake | 497465 |
| 635 | 1034 435 | boot - spark plug | 66538 |
| 847 | 2059 058 | dipstick / tube assembly | 495263 |

Quantum 50 XTE Kolben, Ventile

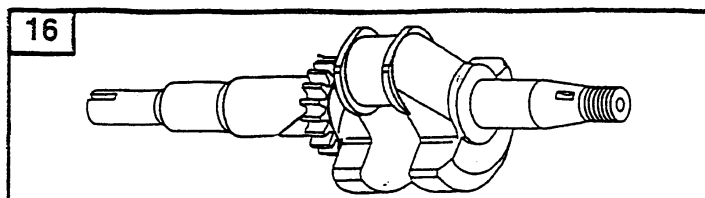
Quantum 50 XTE piston group, valve group



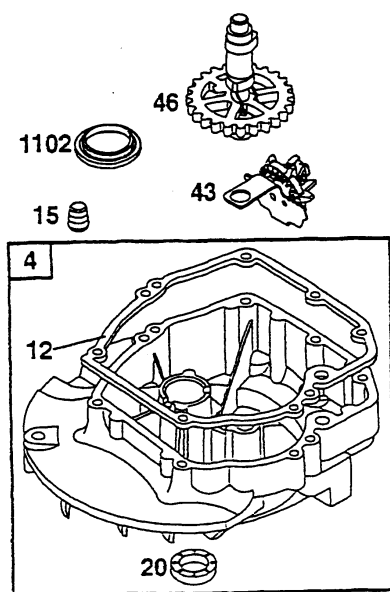
Quantum 50 XTE Kolben, Ventile
Quantum 50 XTE Piston group, Valve group

| Bild-Nr. / Ref. No. | Best.-Nr. / Part No. | Bezeichnung | Description | Part No. B & S |
|--------------------------------|---------------------------------|--------------------|--------------------|-------------------------------|
| 25 | 2069 032 | Kolben kpl. | piston assembly | 499429 |
| 26 | 2069 031 | Ringset | ring set | 499425 |
| 27 | 2057 164 | Sicherung | lock - piston pin | 263190 |
| 28 | 2057 195 | Bolzen | pin - piston | 499423 |
| 29 | 2057 196 | Pleuelstange | rod - connecting | 499424 |
| 32 | 2059 115 | Schraube | screw | 94699 |
| 33 | 2063 201 | Auslaßventil | valve - exhaust | 262651 |
| 34 | 2063 202 | Einlaßventil | valve - intake | 262652 |
| 35 | 2063 203 | Ventilfeder | spring - valve | 262224 |
| 40 | 1034 217 | Ventilhalter | retainer - valve | 93312 |
| 45 | 2063 204 | Ventilstößel | tappet-valve | 262204 |

Quantum 50 XTE 50 Kurbelwelle, Ölwanne
Quantum 50 XTE crankshaft, sump bases



⇒ 24

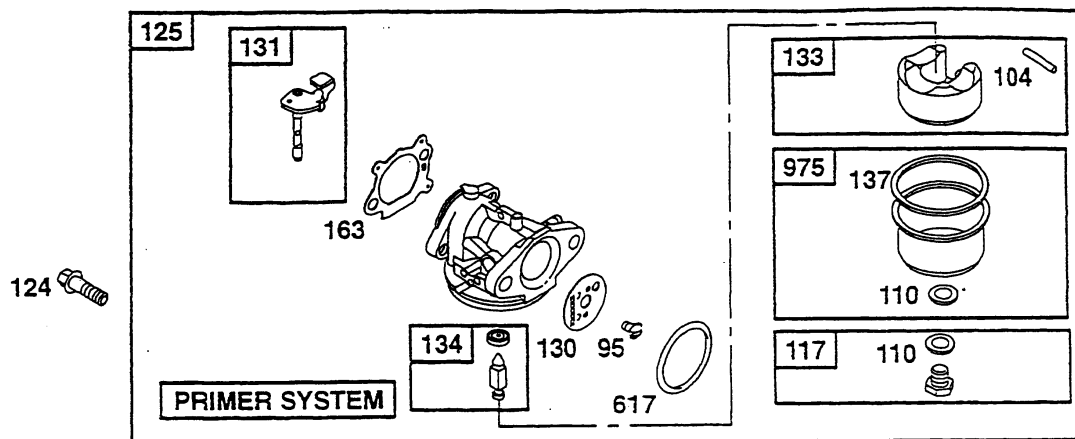


22

Quantum 50 XTE Kurbelwelle, Ölwanne
Quantum 50 XTE Crankshaft, sump bases

| Bild-Nr. / Ref. No. | Best.-Nr. / Part No. | Bezeichnung | Description | Part No. B & S |
|--------------------------------|---------------------------------|--------------------|--------------------------|-------------------------------|
| 4 | 2063 111 | Ölwanne | sump - engine | 493279 |
| 12 | 2063 107 | Dichtung | gasket - crankcase | 272198 |
| 15 | 2069 143 | Ölablaßschraube | plug - oil drain | 94880 |
| 16 | 2069 173 | Kurbelwelle 80 mm | crankshaft 80 mm | 498565 |
| 16 | 2069 178 | Kurbelwelle 62 mm | crankshaft 62 mm | 498566 |
| 20 | 2063 112 | Simmerring | seal - oil | 399781 |
| 22 | 2063 113 | Schraube | screw | 94220 |
| 24 | 2057 130 | Schwungradkeil | feather key | 222698 |
| 43 | 2063 206 | Regler | slinger - governor / oil | 493737 |
| 46 | 2069 172 | Nockenwelle | camshaft | 498275 |
| 1102 | 2057 118 | Ring | pilot - guide | 232047 |

Quantum 50 XTE Vergaser (Primer System)
Quantum 50 XTE carburetor (primer system)

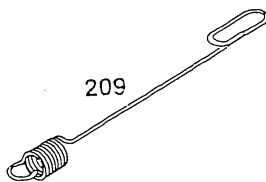
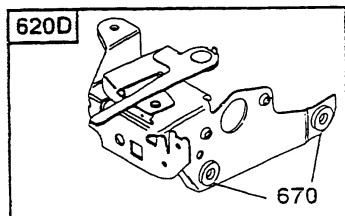
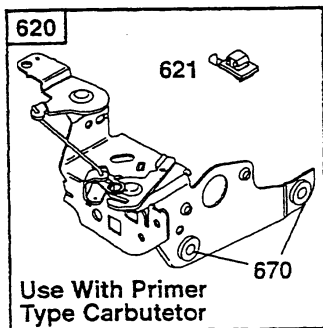
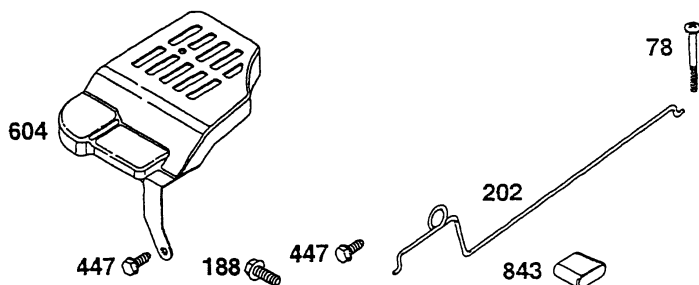


**Quantum 50 XTE Vergaser (Primer System)
Quantum 50 XTE Carburetor (Primer system)**

| Bild-Nr. / Ref. No. | Best.-Nr. / Part No. | Bezeichnung | Description | Part No. B & S |
|--------------------------------|---------------------------------|------------------------|------------------------|-------------------------------|
| 95 | 2057 128 | Schraube | screw (throttle valve) | 94098 |
| 104 | 2057 120 | Stift | pin - float hinge | 231371 |
| 117 | 2057 180 | Hauptdüse mit Dichtung | jet - main | 494870 |
| 124 | 2063 402 | Schraube | screw (carburetor) | 94525 |
| 125 | 2069 025 | Vergaser kpl. | carburetor compl. | 498170 |
| 130 | 2057 123 | Drosselklappe | valve - throttle | 224908 |
| 131 | 2063 403 | Drosselklappenwelle | shaft - throttle | 493267 |
| 133 | 2003 410 | Schwimmer | float - carburetor | 398187 |
| 134 | 2003 411 | Schwimmernadelventil | kit - needle/seal | 398188 |
| 163 | 2059 220 | Starterklappe | gasket - air cleaner | 272653 |
| 617 | 1034 428 | Dichtung | seal - o ring | 270344 |
| 975 | 2058 409 | Schwimmerkappe | bowl - float | 493640 |

NR:2069 070 Bezeichnung: Quantum 50 XTE Gruppe: Briggs & Stratton Quantum 50 XTE Jahr: 03 Typ:

Quantum 50 XTE Regelung
Quantum 50 XTE control

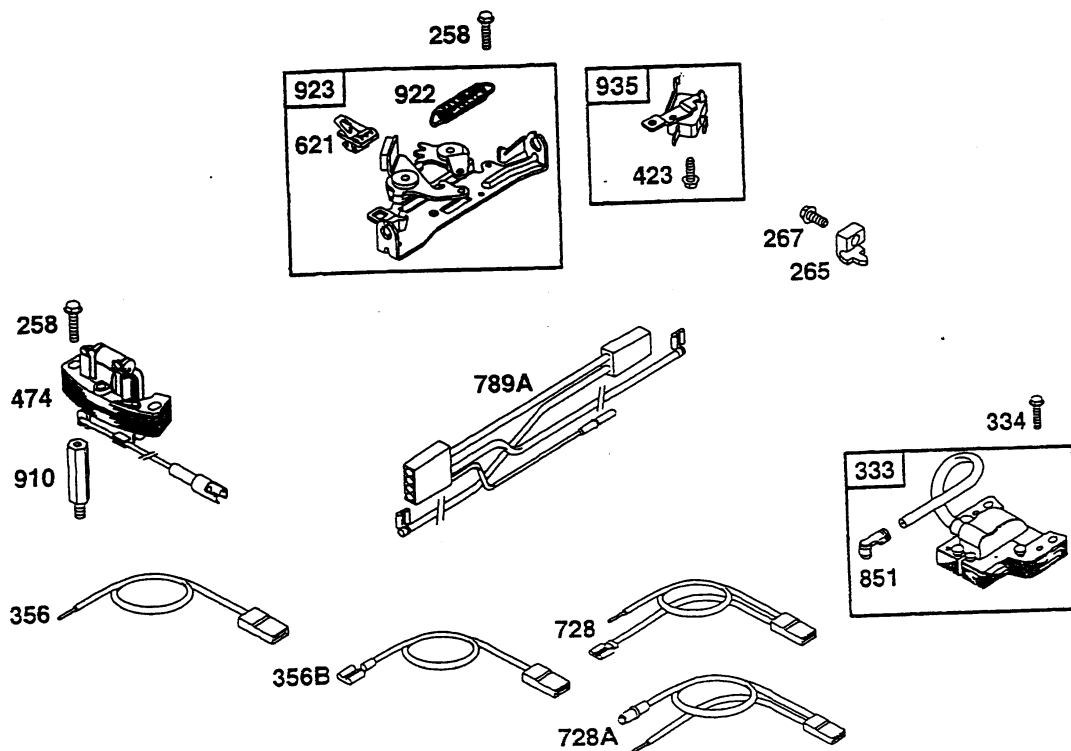


**Quantum 50 XTE Regelung
Quantum 50 XTE Control**

| Bild-Nr. / Ref. No. | Best.-Nr. / Part No. | Bezeichnung | description | Part No. B & S |
|--------------------------------|---------------------------------|--------------------|-------------------------------|-------------------------------|
| 65 | 2057 108 | Schraube | screw | 94874 |
| 78 | 2069 144 | Schraube | screw | 95077 |
| 188 | 2058 405 | Schraube | screw | 94644 |
| 202 | 2063 311 | Gestänge/Gelenk | link - mechanical governor | 262579 |
| 209 | 2057 147 | Reglerfeder | spring - governor | 263046 |
| 447 | 2058 406 | Schraube | screw | 93801 |
| 604 | 2058 400 | Abdeckung | cover - control | 224509 |
| 620 | 2069 020 | Vergasermechanik | bracket - control | 497203 |
| 620D | 2069 028 | Vergasermechanik | bracket - control | 498581 |
| 621 | 2063 129 | Ausschalter | switch - stop | 396847 |
| 670 | 2058 407 | Distanzstück | spacer | 493823 |

NR:2069 070 Bezeichnung: Quantum 50 XTE Gruppe: Briggs & Stratton Quantum 50 XTE Jahr: 03 Typ:

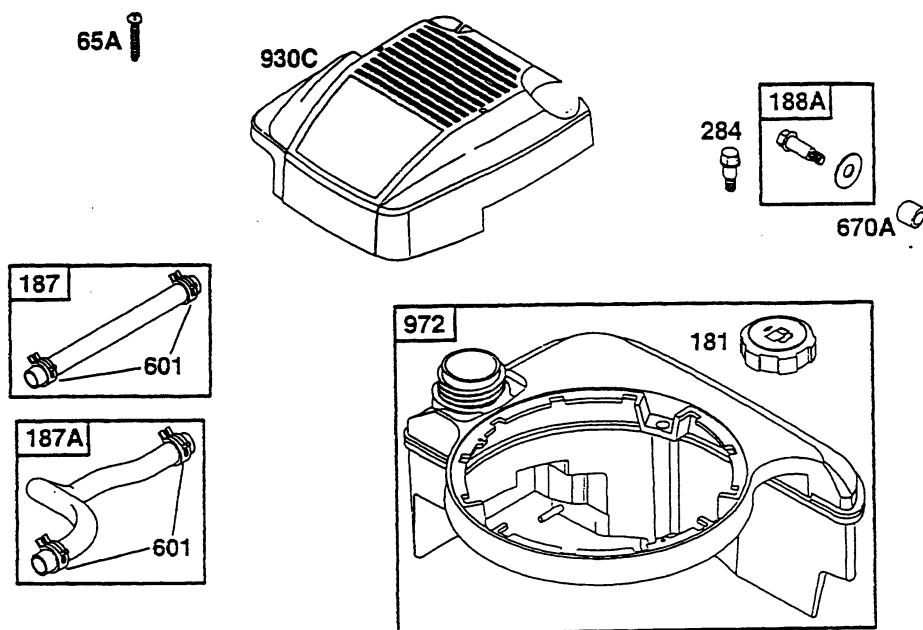
Quantum 50 XTE Zündanlage
Quantum 50 XTE electrical



Quantum 50 XTE Zündanlage
Quantum 50 XTE electrical

| Bild-Nr. / Ref. No. | Best.-Nr. / Part No. | Bezeichnung | Description | Part No. B & S |
|--------------------------------|---------------------------------|--------------------|-----------------------|-------------------------------|
| 258 | 2063 117 | Schraube | screw | 94512 |
| 265 | 2063 312 | Klammer | clamp | 213146 |
| 267 | 2059 304 | Schraube | screw | 94694 |
| 333 | 2063 056 | Zündspule | armature - magneto | 802574 |
| 334 | 2059 306 | Schraube | screw | 94731 |
| 356 | 2057 183 | Kabelbaum | wire - stop | 497833 |
| 356B | 2069 208 | Kabelbaum | wire - stop | 496037 |
| 423 | 2057 102 | Schraube | screw | 93758 |
| 474 | 2069 118 | Lichtspule | alternator | 492841 |
| 621 | 2063 129 | Ausschalter | switch - stop | 396847 |
| 728 | 2069 041 | Kabelbaum | cable form | 494714 |
| 728A | 2069 043 | Kabelbaum | cable form | 496381 |
| 789A | 2069 120 | Kabelbaum | cable form | 493380 |
| 851 | 2057 179 | Stecker | terminal - spark plug | 493880 |
| 910 | 2069 117 | Zwischenstück | stud (alternator) | 94510 |
| 922 | 2063 307 | Feder | spring - brake | 262640 |
| 923 | 2063 130 | Bremse | brake | 493442 |
| 935 | 2057 052 | Schalter | switch - interlock | 499421 |

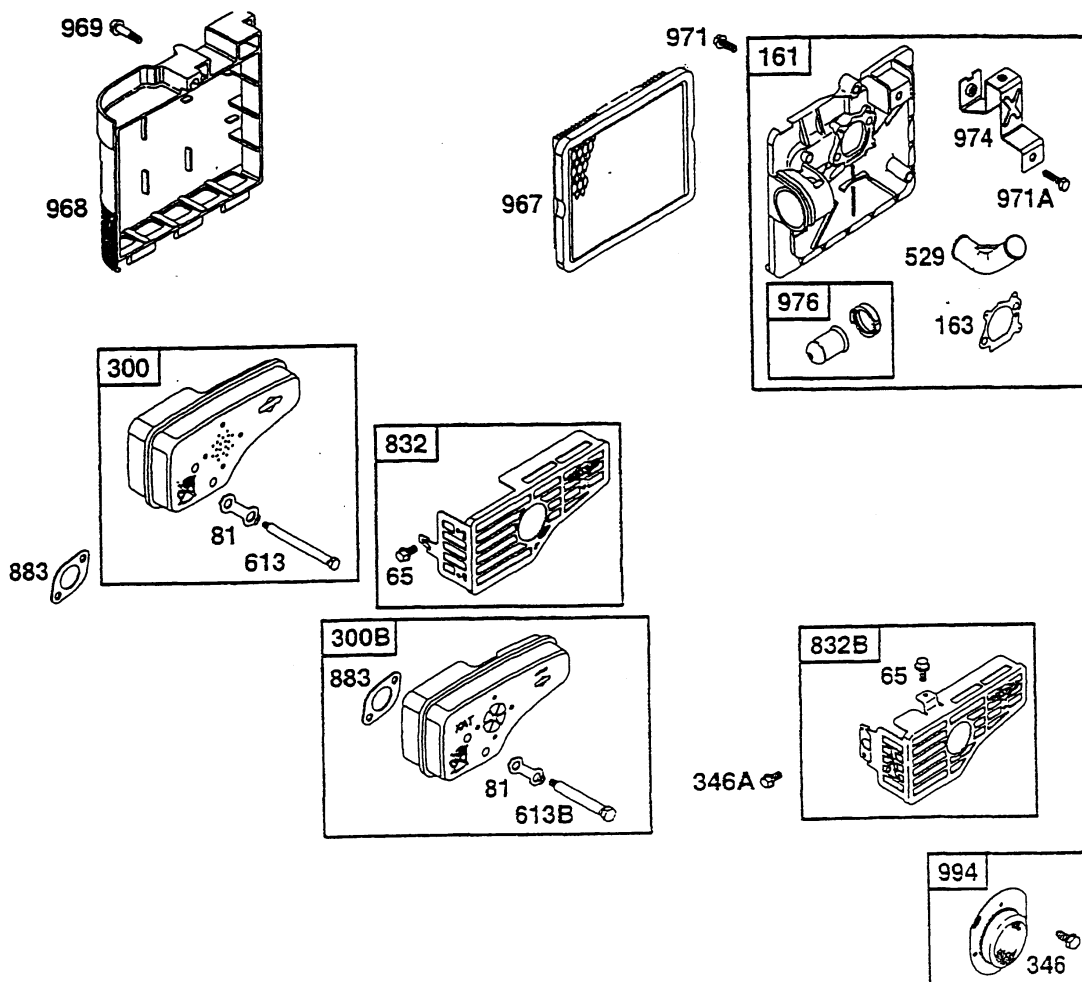
Quantum 50 XTE Haube, Kraftstoffbehälter
Quantum 50 XTE covering cap, fuel tank



Quantum 50 XTE Haube, Kraftstoffbehälter
Quantum 50 XTE Covering cap, fuel tank

| Bild-Nr. / Ref. No. | Best.-Nr. / Part No. | Bezeichnung | Description | Part No. B & S |
|--------------------------------|---------------------------------|-----------------------|----------------------|-------------------------------|
| 65A | 2066 301 | Schraube | screw | 94696 |
| 181 | 2064 501 | Tankdeckel | cap - fuel tank | 397974 |
| 187 | 2063 065 | Benzinleitung | line - fuel | 492790 |
| 187 | 2057 371 | Benzinleitung | line - fuel | 296004 |
| 187A | 2069 309 | Benzinleitung | line - fuel (molded) | 492791 |
| 188A | 2057 143 | Schraube mit Scheibe | kit - screw/washer | 398540 |
| 284 | 2063 316 | Schraube | screw | 94511 |
| 601 | 1036 517 | Klemme | clamp - hose | 93053 |
| 601A | 2058 517 | Klemme | clamp - hose | 93807 |
| 670A | 2057 166 | Hülse | spacer - fuel tank | 280512 |
| 930C | 2069 304 | Abdeckhaube (schwarz) | covering cap (black) | 281440 |
| 972 | 2059 510 | Tank | fuel tank | 495224 |

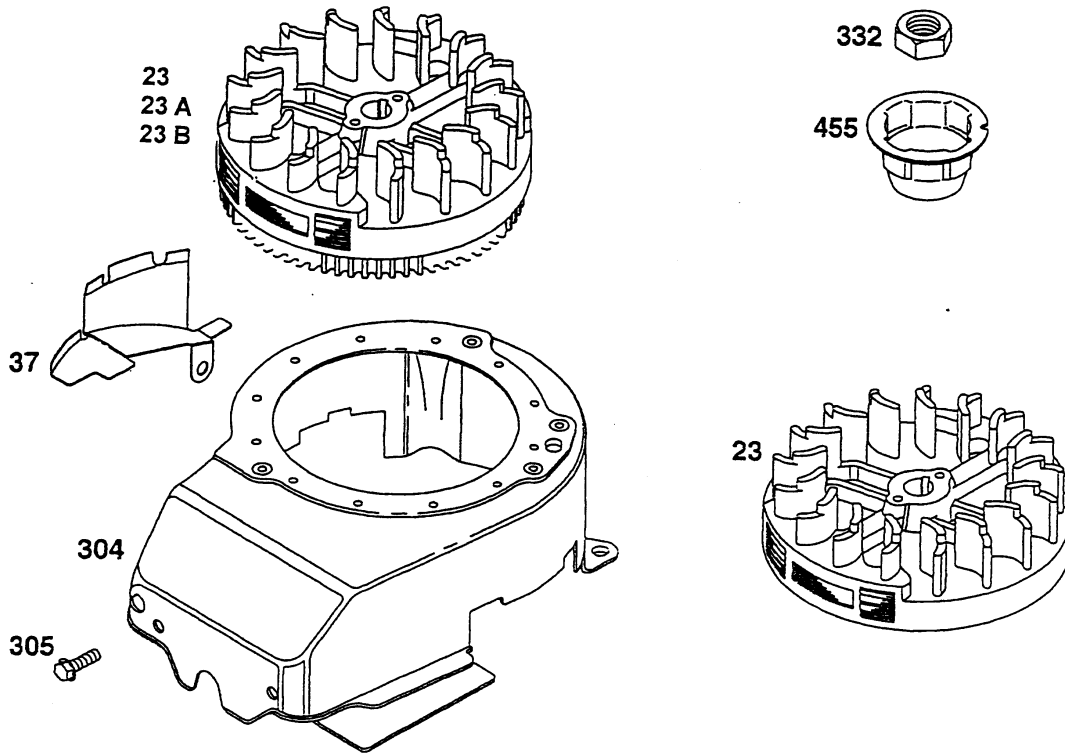
Quantum 50 XTE Luftfilter, Schalldämpfer
Quantum 50 XTE air cleaner, muffler



Quantum 50 XTE Luftfilter, Schalldämpfer
Quantum 50 XTE Air cleaner, muffler

| Bild-Nr. / Ref. No. | Best.-Nr. / Part No. | Bezeichnung | Description | Part No. B & S |
|--------------------------------|---------------------------------|--------------------------------------|------------------------------------|-------------------------------|
| 65 | 2057 108 | Schraube | screw | 94874 |
| 81 | 2063 501 | Sicherung | lock - muffler screw | 223664 |
| 161 | 2059 405 | Luftfiltergehäuse | base - air cleaner | 496116 |
| 163 | 2059 220 | Dichtung | gasket - air cleaner | 272653 |
| 300 | 2069 019 | Auspuff ohne KAT | muffler without catalyst | 496106 |
| 300B | 2069 023 | Auspuff mit KAT | muffler with catalyst | 497681 |
| 346 | 2069 134 | Schraube | screw | 93705 |
| 346A | 2069 145 | Schraube | screw | 95130 |
| 529 | 2059 409 | Lüfterschlauch | grommet | 281299 |
| 613 | 2063 124 | Schraube | screw (muffler) | 94231 |
| 613B | 2069 140 | Schraube | screw (muffler) | 94858 |
| 676D | 2069 170 | Deflektor | deflector (muffler) | 497682 |
| 832 | 2069 176 | Berührungsschutz | guard - muffler | 499034 |
| 832B | 2069 171 | Berührungsschutz (Ausführung KAT) | guard - muffler (catalyst only) | 497683 |
| 883 | 2059 501 | Auspuffdichtung | gasket - exhaust | 272253 |
| 967 | 2063 408 | Luftfilter / Filterelement | air cleaner | 491588 |
| 968 | 2059 406 | Deckel | cover - air cleaner | 281340 |
| 969 | 2069 141 | Schraube | screw | 94872 |
| 971 | 2069 104 | Schraube | screw | 94878 |
| 971A | 2059 303 | Schraube | screw | 94749 |
| 974 | 2059 404 | Halter | bracket - air cleaner | 224815 |
| 976 | 2057 181 | Primer | primer | 496115 |

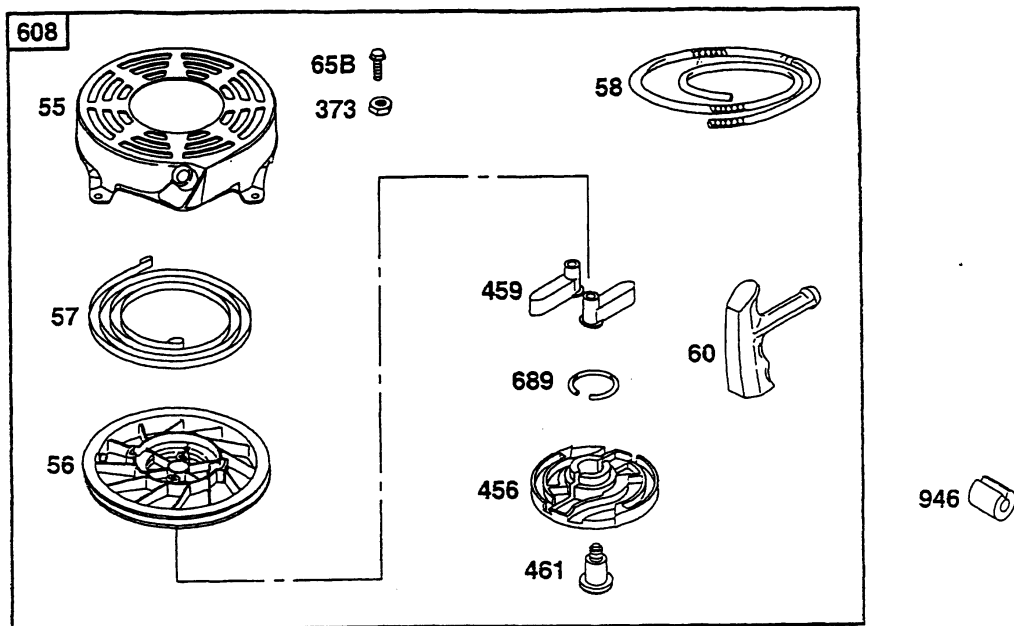
Quantum 50 XTE Polrad, Lüfterhaube
Quantum 50 XTE flywheel, blower housing



**Quantum 50 XTE Polrad, Lüfterhaube
Quantum 50 XTE Flywheel, blower housing**

| Bild-Nr. / Ref. No. | Best.-Nr. / Part No. | Bezeichnung | Description | Part No. B & S |
|--------------------------------|---------------------------------|--------------------|--------------------|-------------------------------|
| 23B | 2069 179 | Schwungrad schw. | flywheel | 492893 |
| 37 | 2058 306 | Schutzblech | guard - flywheel | 224511 |
| 304 | 2063 315 | Lüftergehäuse | housing - blower | 493294 |
| 305 | 2057 106 | Schraube | screw | 94744 |
| 332 | 2069 132 | Mutter | nut | 92284 |
| 363 | 2062 057 | Abzieher | flywheel puller | 19069 |
| 455 | 2057 306 | Starterschale | cup - flywheel | 225121 |

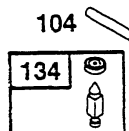
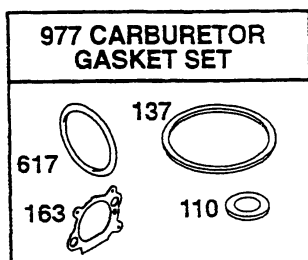
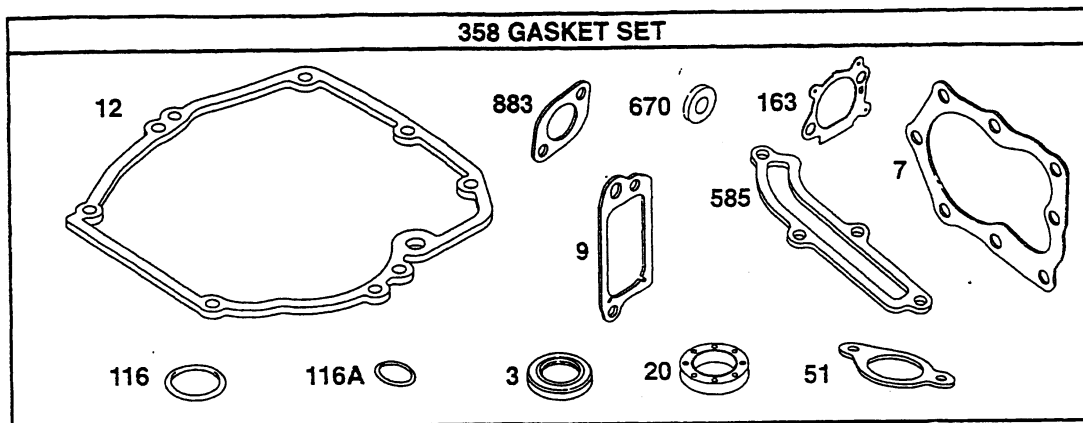
Quantum 50 XTE Starter
Quantum 50 XTE rewind - starter



Quantum 50 XTE Starter
Quantum 50 XTE Rewind - starter

| Bild-Nr. / Ref. No. | Best.-Nr. / Part No. | Bezeichnung | Description | Part No. B & S |
|--------------------------------|---------------------------------|--------------------|--------------------------|-------------------------------|
| 55 | 2069 121 | Startergehäuse | housing - rewind starter | 497440 |
| 56 | 2069 122 | Starterseilscheibe | pulley | 281504 |
| 57 | 2069 123 | Starterfeder | spring | 263074 |
| 58 | 2063 604 | Starterseil | rope - starter | 280399 |
| 60 | 2069 300 | Startergriff | grip - starter rope | 281434 |
| 456 | 2069 301 | Federhalter | plate - pawl friction | 281503 |
| 459 | 2069 302 | Klinke | pawl - ratchet | 281505 |
| 461 | 2069 124 | Schraube | screw | 94943 |
| 608 | 2069 012 | Starter kpl. | starter - rewind compl. | 497680 |
| 689 | 2069 125 | Sprungfeder | spring - friction | 263073 |
| 946 | 2063 612 | Seilklemme | stop - rope | 223294 |

Quantum 50 XTE Dichtungssatz
Quantum 50 XTE gasket set



Quantum 50 XTE Dichtungssatz
Quantum 50 XTE Gasket set

| Bild-Nr. / Ref. No. | Best.-Nr. / Part No. | Bezeichnung | Description | Part No. B & S |
|------------------------|-------------------------|----------------------------------|------------------------------------|-------------------|
| 3 | 2057 352 | Simmerring (oben) | seal - oil (magneto side) | 299819 |
| 7 | 2063 103 | Zylinderkopfdichtung | gasket - cylinder head | 272916 |
| 9 | 2058 301 | Dichtung (f. Entlüfter) | gasket - breather | 272481 |
| 12 | 2063 107 | Dichtung (f. Ölwanne) | gasket - crankcase | 272198 |
| 20 | 2063 112 | Simmerring (unten) | seal - oil (PTO side) | 399781 |
| 51 | 2063 207 | Dichtung (f. Eingang) | gasket - intake | 272199 |
| 94 | 2058 403 | Nadelventil | kit - idle mixture | 493765 |
| 104 | 2057 120 | Stift | pin - float hinge | 231371 |
| 116 | 2063 211 | Dichtung (f. Ölrohr) | gasket | 280393 |
| 116A | 2063 216 | Dichtung (f. Ölrohr) | gasket | 280966 |
| 134 | 2003 411 | Schwimmernadelventil | kit - needle/seat | 398188 |
| 137 | 2069 316 | Dichtung (für Schwimmerkappe) | gasket - float bowl | 693981 |
| 163 | 2059 220 | Dichtung (f. Luftfilter) | gasket - air cleaner | 272653 |
| 358 | 2069 021 | Dichtungssatz Motor | gasket set - engine | 497316 |
| 585 | 2063 209 | Dichtung (f. Gehäuse) | gasket - breather passage | 272238 |
| 617 | 1034 428 | O - Ring (für Vergaser) | seal - o ring (intake manifold) | 270344 |
| 670 | 2058 407 | Distanzstück | spacer | 493823 |
| 883 | 2059 501 | Auspuffdichtung | gasket - exhaust | 272253 |
| 977 | 2059 223 | Dichtungssatz Vergas. | gasket set - carburetor | 490937 |