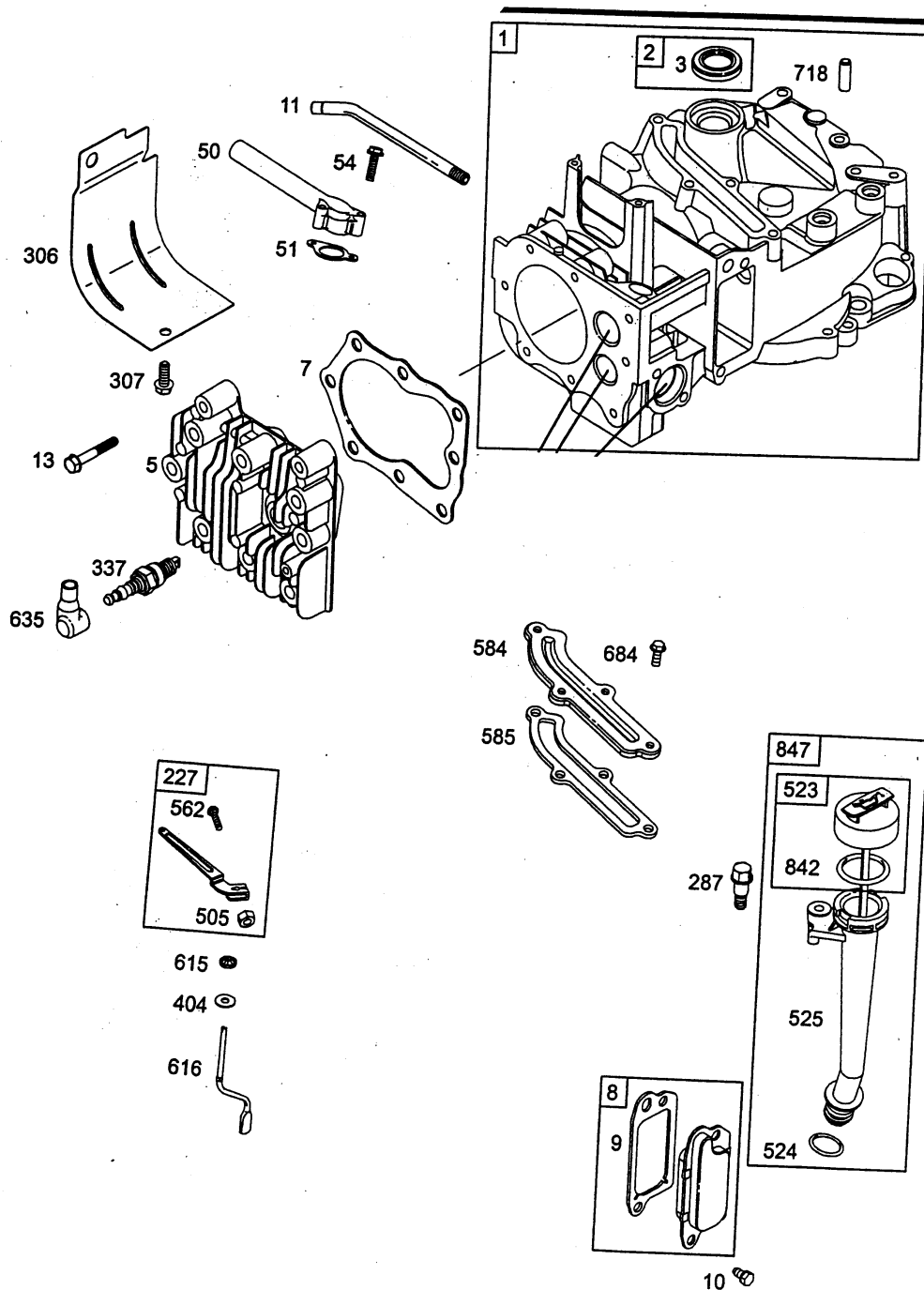


Quantum 45 XM Kurbelgehäuse
Quantum 45 XM cylinder assembly



Quantum 45 XM Kurbelgehäuse

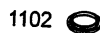
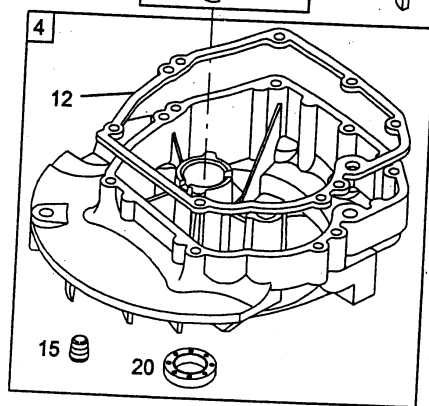
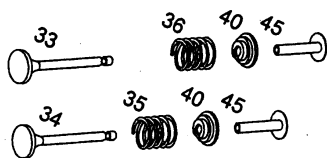
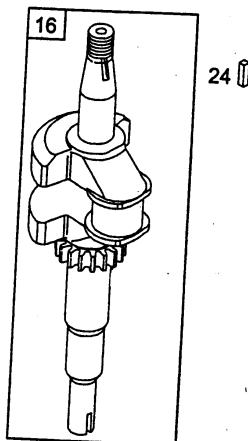
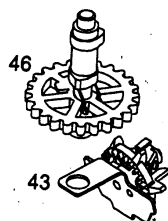
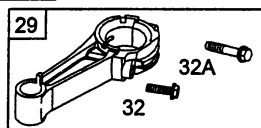
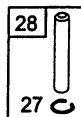
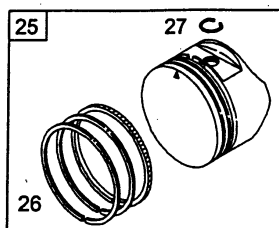
| Bild-Nr. | Best.-Nr. | Bezeichnung | Best.-Nr. B & S |
|----------|-----------|--------------------------------|--------------------|
| 1 | 2058 100 | Zylinder | 493260 |
| 2 | 1034 101 | Lagerbuchse | 293708 |
| 3 | 2057 352 | Simmerring | 299819 |
| 5 | 2069 150 | Zylinderkopf | 214626 |
| 7 | 2063 103 | Zylinderkopfdichtung | 272200 |
| 8 | 2059 300 | Dichtungsventil kpl. | 495786 |
| 9 | 2058 301 | Dichtung-(Ventilationsöffnung) | 272481 |
| 10 | 2057 137 | Schraube | 94955 |
| 11 | 2063 310 | Entlüftungsrohr | 231685 |
| 13 | 2063 108 | Schraube | 94547 |
| 50 | 2069 168 | Verteilereinlaß | 497465 |
| 51 | 2063 207 | Eingangsdichtung | 272199 |
| 54 | 2063 208 | Schraube | 94526 |
| 227 | 2063 054 | Fliehkrafthebel kpl. | 492349 |
| 287 | 2063 316 | Schraube | 94511 |
| 306 | 2063 119 | Zylinderschutzschild | 224324 |
| 307 | 2063 120 | Schraube | 94515 |
| 337 | 2058 305 | Zündkerze | 802592 |
| 404 | 2063 303 | Scheibe | 690272 |
| 505 | 2063 304 | Mutter | 691251 |
| 523 | 2059 206 | Ölmeßstab | 495264 |
| 524 | 2056 175 | O-Ring | 692296 |
| 525 | 2063 212 | Öleinfüllrohr | 495265 |
| 562 | 2069 139 | Schraube | 94852 |
| 584 | 2063 122 | Entlüfterdeckel | 224328 |
| 585 | 2063 209 | Dichtung | 272238 |
| 615 | 2063 125 | Halter | 94474 |
| 616 | 2057 163 | Drehhebel (Kurbelantrieb) | 263175 |
| 635 | 1034 435 | Zündkerzenstecker | 66538 |
| 684 | 2063 319 | Schraube | 690345 |
| 718 | 2063 320 | Stift | 690959 |
| 842 | 1034 439 | O-Ring | 691031 |
| 847 | 2059 058 | Öleinfüllrohr kpl. | 495263 |

english: see next page

Quantum 45 XM Cylinder assembly

| Ref. No. | Part No. | Description | Part No. B & S |
|----------|----------|---------------------------|-------------------|
| 1 | 2058 100 | cylinder assembly | 493260 |
| 2 | 1034 101 | kit - bushing/seal | 293708 |
| 3 | 2057 352 | seal - oil | 299819 |
| 5 | 2069 150 | head - cylinder | 214626 |
| 7 | 2063 103 | gasket - cylinder head | 272200 |
| 8 | 2059 300 | breather assembly | 495786 |
| 9 | 2058 301 | gasket - breather | 272481 |
| 10 | 2057 137 | screw | 94955 |
| 11 | 2063 310 | tube - breather | 231685 |
| 13 | 2063 108 | screw | 94547 |
| 50 | 2069 168 | manifold - intake | 497465 |
| 51 | 2063 207 | gasket - intake | 272199 |
| 54 | 2063 208 | screw | 94526 |
| 227 | 2063 054 | lever - governor control | 492349 |
| 287 | 2063 316 | screw | 94511 |
| 306 | 2063 119 | shield - cylinder | 224324 |
| 307 | 2063 120 | screw | 94515 |
| 337 | 2058 305 | spark plug | 802592 |
| 404 | 2063 303 | washer | 690272 |
| 505 | 2063 304 | nut | 691251 |
| 523 | 2059 206 | dipstick | 495264 |
| 524 | 2056 175 | o-ring | 692296 |
| 525 | 2063 212 | tube - dipstick | 495265 |
| 562 | 2069 139 | screw | 94852 |
| 584 | 2063 122 | cover - breather passage | 224328 |
| 585 | 2063 209 | gasket - breather passage | 272238 |
| 615 | 2063 125 | retainer - governor shaft | 94474 |
| 616 | 2057 163 | crank - governor | 263175 |
| 635 | 1034 435 | boot - spark plug | 66538 |
| 684 | 2063 319 | screw | 690345 |
| 718 | 2063 320 | pin-locating | 690959 |
| 842 | 1034 439 | o-ring | 691031 |
| 847 | 2059 058 | dipstick / tube assembly | 495263 |

Quantum 45 XM Kolben, Ventile, Kurbelwelle, Ölwanne
Quantum 45 XM piston group, valve group, crankschaft, sump bases

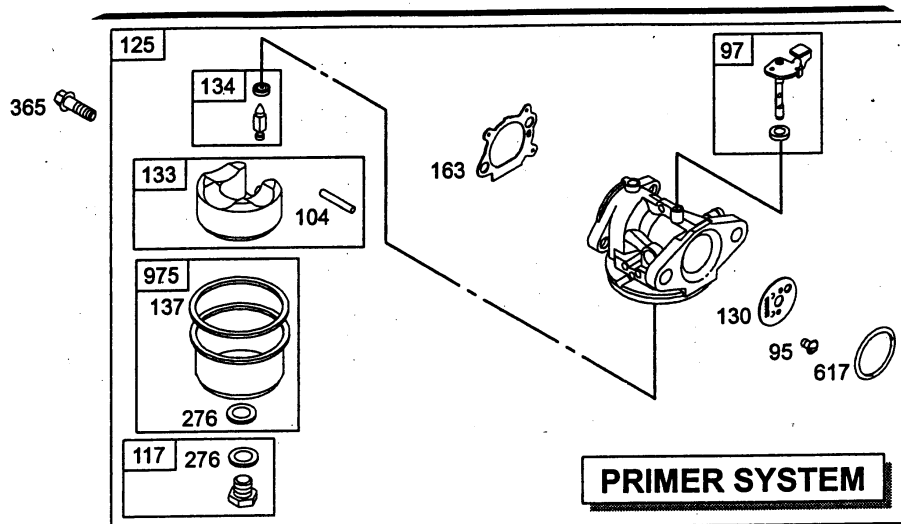


**Quantum 45 XM Kolben, Ventile, Kurbelwelle,
Ölwanne**

**Quantum 45 XM Piston group, Valve group,
Crankshaft, Sump bases**

| Bild-Nr. / Ref. No. | Best.-Nr. / Part No. | Bezeichnung | Description | Part No. B & S |
|------------------------|-------------------------|------------------|----------------------|-------------------|
| 4 | 2069 196 | Ölwanne | sump-engine | 696294 |
| 12 | 2063 107 | Dichtung | gasket-crankcase | 272198 |
| 15 | 2069 143 | Ölablaßschraube | plug-oil drain | 94880 |
| 16 | 2069 197 | Kurbelwelle | crankshaft | 691450 |
| 20 | 2063 112 | Simmerring | seal-oil | 399781 |
| 22 | 2063 113 | Schraube | screw | 94220 |
| 24 | 2057 130 | Schwungradkeil | feather key | 222698 |
| 25 | 2069 032 | Kolben kpl. | piston assembly | 499429 |
| 26 | 2069 031 | Ringset | ring set | 499425 |
| 27 | 2057 164 | Sicherung | lock - piston pin | 263190 |
| 28 | 2057 195 | Bolzen | pin - piston | 499423 |
| 29 | 2057 196 | Pleuelstange | rod - connecting | 499424 |
| 32 | 2059 115 | Schraube | screw | 94699 |
| 32A | 2059 114 | Schraube | screw | 695759 |
| 33 | 2063 201 | Auslaßventil | valve - exhaust | 262651 |
| 34 | 2063 202 | Einlaßventil | valve - intake | 262652 |
| 35 | 2063 203 | Ventilfeder | spring - valve | 262224 |
| 36 | 2063 220 | Ventilfeder | spring - valve | 691270 |
| 40 | 1034 217 | Ventilhalter | retainer - valve | 93312 |
| 43 | 2063 206 | Regler | slinger-governor oil | 493737 |
| 45 | 2063 204 | Ventilstößel | tappet-valve | 262204 |
| 46 | 2069 172 | Nockenwelle | camshaft | 498275 |
| 357 | 2069 198 | Keil-Kurbelwelle | key-crankshaft | 695867 |
| 1102 | 2057 118 | Ring | pilot-guide | 232047 |

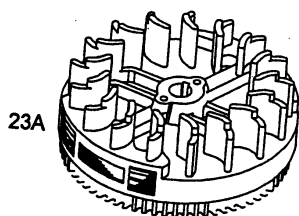
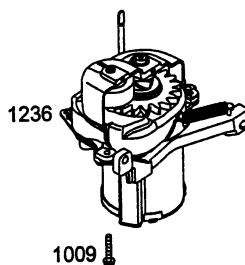
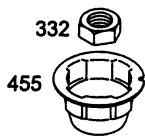
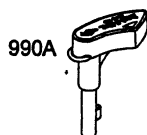
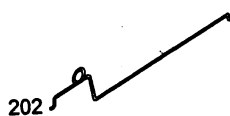
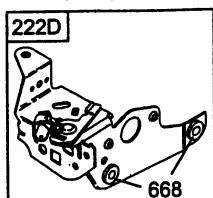
Quantum 45 XM Vergaser (Primer System)
Quantum 45 XM carburetor (primer system)



**Quantum 45 XM Vergaser (Primer System)
Quantum 45 XM Carburetor (Primer system)**

| Bild-Nr. / Ref. No. | Best.-Nr. / Part No. | Bezeichnung | Description | Part No. B & S |
|------------------------|-------------------------|-----------------------|------------------------|-------------------|
| 95 | 2057 128 | Schraube | screw (throttle valve) | 94098 |
| 97 | 2057 103 | Drosselklappenschaft | shaft-throttle | 696565 |
| 104 | 2057 120 | Stift | pin - float hinge | 231371 |
| 117 | 2057 180 | Hauptdüse - Dichtung | jet - main | 494870 |
| 125 | 2069 025 | Vergaser kpl. | carburetor compl. | 498170 |
| 130 | 2057 123 | Drosselklappe | valve - throttle | 224908 |
| 133 | 2003 410 | Schwimmer | float - carburetor | 398187 |
| 134 | 2003 411 | Schwimmernadelventil | kit - needle/seal | 398188 |
| 137 | 2069 316 | Dicht.-Schwimmerkappe | gasket - float bowl | 693981 |
| 276 | 2059 202 | Dichtung | washer-sealing | 271716 |
| 365 | 2069 323 | Schraube | screw | 692524 |
| 617 | 1034 428 | Dichtung | seal - o ring | 270344 |
| 975 | 2058 409 | Schwimmerkappe | bowl - float | 493640 |

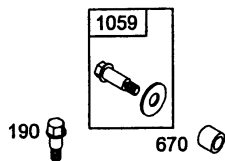
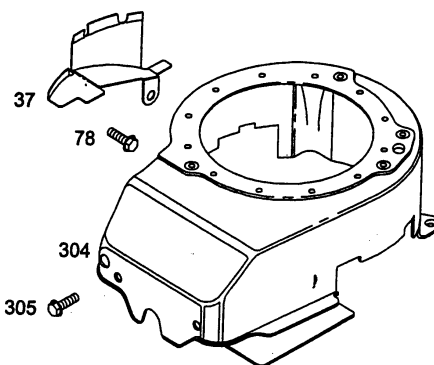
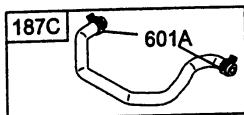
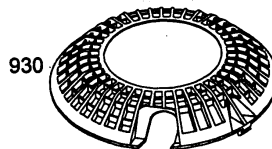
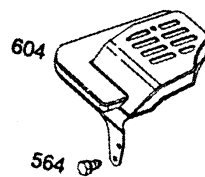
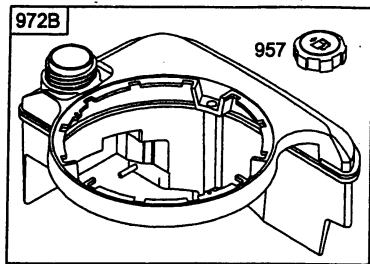
Quantum 45 XM Regelung, Polrad, Anlasser
Quantum 45 XM Control, flywheel, motor-starter



Quantum 45 XM Regelung, Polrad, Anlasser
Quantum 45 XM Control, Flywheel, Motor-starter

| Bild-Nr. / Ref. No. | Best.-Nr. / Part No. | Bezeichnung | Description | Part No. B & S |
|--------------------------------|---------------------------------|--------------------|--------------------|-------------------------------|
| 23A | 2063 334 | Schwungrad | flywheel | 696291 |
| 202 | 2063 311 | Gestänge/Gelenk | link - mechanical | 691829 |
| 209 | 2063 335 | Reglerfeder | spring - governor | 691852 |
| 222D | 2063 336 | Vergasermechanik | bracket - control | 692467 |
| 332 | 2069 132 | Mutter | nut | 92284 |
| 455 | 2057 306 | Starterschale | cup-flywheel | 19069 |
| 621 | 2063 337 | Stopp-Schalter | switch-stop | 692310 |
| 668 | 2058 055 | Abstandshalter | spacer | 493823 |
| 990A | 2063 338 | Schlüssel-Set | key set | 695951 |
| 1009 | 2063 339 | Schraube | screw | 696255 |
| 1236 | 2063 340 | Mechanik-Starter | starter-mechanical | 695959 |

Quantum 45 XM Haube, Tank, Lüfterhaube
Quantum 45 XM covering cap, fuel tank, blower housing

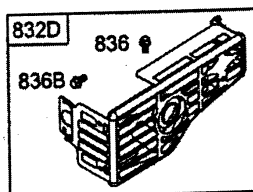
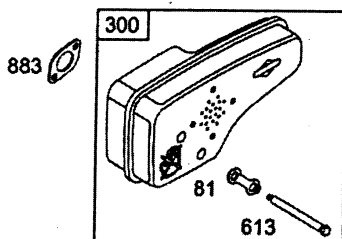
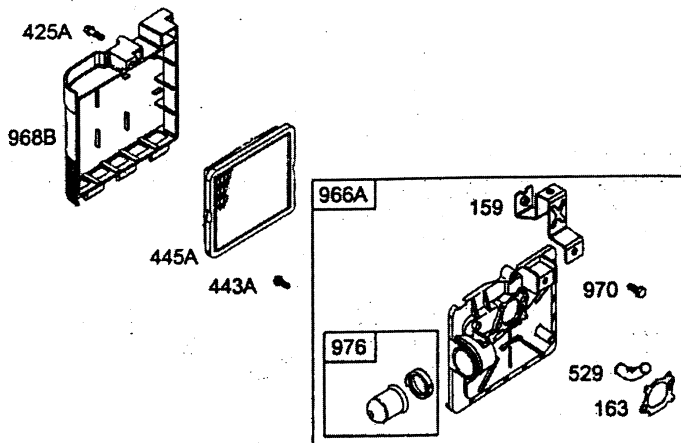


188

Quantum 45 XM Haube, Tank, Lüfterhaube
Quantum 45 XM Cover, Fuel tank, Blower housing

| Bild-Nr. / Ref. No. | Best.-Nr. / Part No. | Bezeichnung | Description | Part No. B & S |
|--------------------------------|---------------------------------|----------------------|--------------------|-------------------------------|
| 37 | 2058 306 | Schutzblech | guard-flywheel | 224511 |
| 78 | 2058 104 | Schraube | screw | 691108 |
| 187C | 2058 310 | Benzinleitung | line-fuel/molded | 696292 |
| 188 | 2058 311 | Schraube | screw | 690877 |
| 190 | 2058 312 | Schraube | screw | 690940 |
| 304 | 2058 107 | Lüftergehäuse | housing-blower | 696298 |
| 305 | 2057 106 | Schraube | screw | 94744 |
| 564 | 2059 218 | Schraube | screw | 690664 |
| 601A | 2058 314 | Klemme | clamp - hose | 691038 |
| 670 | 2057 166 | Hülse | spacer - fuel tank | 280512 |
| 930 | 2066 102 | Abdeckring | guard-rewind | 691919 |
| 957 | 2064 501 | Tankdeckel | cap-fuel tank | 397974 |
| 972B | 2069 199 | Tank | fuel tank | 695960 |
| 1059 | 2059 203 | Schraube mit Scheibe | kit-screw washer | 696293 |

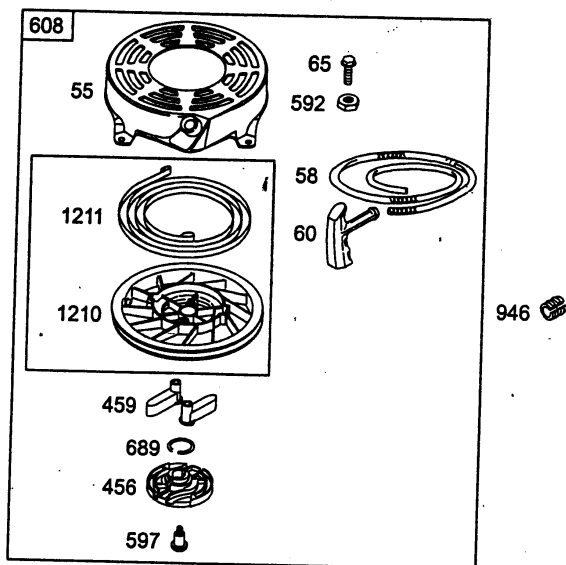
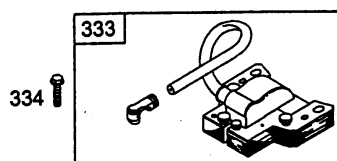
Quantum 45 XM Luftfilter, Schalldämpfer
Quantum 45 XM air cleaner, muffler



Quantum 45 XM Luftfilter, Schalldämpfer
Quantum 45 XM Air cleaner, Muffler

| Bild-Nr. / Ref. No. | Best.-Nr. / Part No. | Bezeichnung | Description | Part No. B & S |
|--------------------------------|---------------------------------|------------------------|--------------------------|-------------------------------|
| 81 | 2063 501 | Sicherung | lock - muffler screw | 223664 |
| 159 | 2063 503 | Lasche | bracket - air | 691753 |
| 163 | 2059 220 | Dichtung | gasket - air cleaner | 272653 |
| 425A | 2059 216 | Schraube | screw | 690670 |
| 443A | 2059 217 | Schraube | screw | 692523 |
| 445A | 2058 411 | Filtereinsatz | filter-air cleaner | 491588 |
| 300 | 2069 019 | Schalldämpfer | muffler without catalyst | 496106 |
| 529 | 2059 409 | Lüfterschlauch | grommet | 281299 |
| 613 | 2063 124 | Schraube | screw (muffler) | 94231 |
| 832D | 2069 176 | Berührungsschutz | guard - muffler | 499034 |
| 836 | 2059 218 | Schraube | screw | 690664 |
| 836B | 1001 153 | Schraube | screw | 690661 |
| 883 | 2059 501 | Auspuffdichtung | gasket - exhaust | 272253 |
| 966A | 2059 405 | Luftfiltergehäuse kpl. | base-air cleaner primer | 496116 |
| 968B | 2059 219 | Deckel | cover - air cleaner | 692298 |
| 970 | 2059 213 | Schraube | screw | 691669 |
| 976 | 2057 181 | Primer | primer | 496115 |

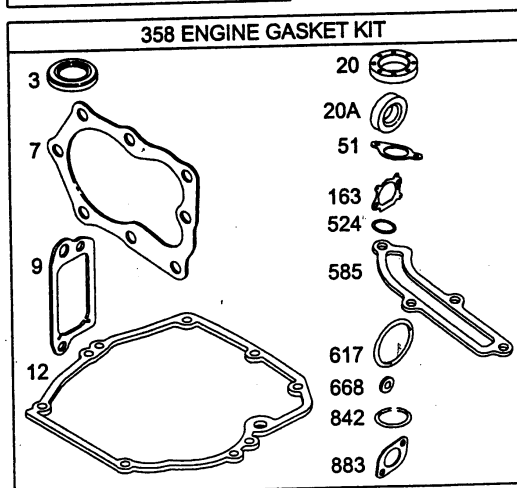
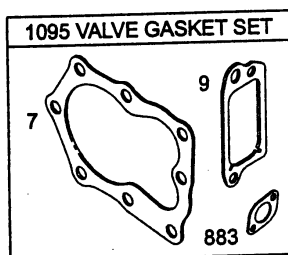
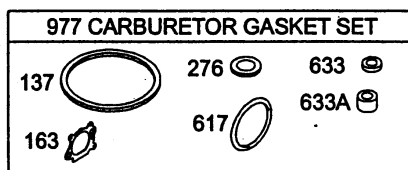
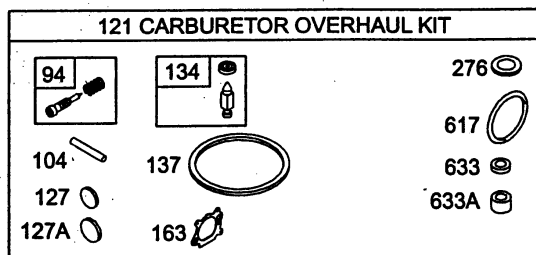
Quantum 45 XM Zündanlage, Starter
Quantum 45 XM electrical, rewind - starter



Quantum 45 XM Zündanlage, Starter
Quantum 45 XM Electrical, Rewind - starter

| Bild-Nr. / Ref. No. | Best.-Nr. / Part No. | Bezeichnung | Description | Part No. B & S |
|--------------------------------|---------------------------------|--------------------|--------------------------|-------------------------------|
| 55 | 2069 121 | Startergehäuse | housing - rewind starter | 497440 |
| 58 | 2063 604 | Starterseil | rope - starter | 280399 |
| 60 | 2069 300 | Startergriff | grip - starter rope | 281434 |
| 65 | 2069 324 | Schraube | screw | 690837 |
| 333 | 2063 056 | Zündspule | armature-magneto | 802574 |
| 334 | 2059 306 | Schraube | screw | 94731 |
| 356 | 2059 317 | Kurzschlußkabel | wire-stop | 692390 |
| 456 | 2069 301 | Federhalter | plate - pawl friction | 281503 |
| 459 | 2069 302 | Klinke | pawl - ratchet | 281505 |
| 592 | 2069 325 | Mutter | nut | 690800 |
| 597 | 2069 124 | Schraube | screw | 94943 |
| 608 | 2069 012 | Starter kpl. | starter - rewind compl. | 497680 |
| 689 | 2069 125 | Sprungfeder | spring - friction | 263073 |
| 946 | 2063 612 | Seilklemme | stop - rope | 223294 |
| 1210 | 2069 122 | Seilscheibe | pulley | 281504 |
| 1211 | 2069 123 | Starterfeder | spring | 263074 |

Quantum 45 XM Dichtungssatz
Quantum 45 XM gasket set



Quantum 45 XM Dichtungssatz
Quantum 45 XM Gasket set

| Bild-Nr. / Ref. No. | Best.-Nr. / Part No. | Bezeichnung | Description | Part No. B & S |
|--------------------------------|---------------------------------|-------------------------|------------------------------|-------------------------------|
| 3 | 2057 352 | Simmerring (oben) | seal-oil (magneto side) | 299819 |
| 7 | 2063 103 | Zylinderkopfdichtung | gasket - cylinder head | 272916 |
| 9 | 2058 301 | Dichtung-Entlüfter | gasket - breather | 272481 |
| 12 | 2063 107 | Dichtung-Ölwanne | gasket - crankcase | 272198 |
| 20 | 2063 112 | Simmerring (unten) | seal - oil (PTO side) | 399781 |
| 51 | 2063 207 | Dichtung-Eingang | gasket - intake | 272199 |
| 94 | 2058 403 | Nadelventil | kit - idle mixture | 493765 |
| 104 | 2057 120 | Stift | pin - float hinge | 231371 |
| 121 | 2069 024 | Vergaser Reparatur-Satz | carburetor overhaul kit | 498260 |
| 134 | 2003 411 | Schwimmernadelventil | kit - needle/seat | 398188 |
| 137 | 2069 316 | Dicht.-Schwimmerkappe | gasket - float bowl | 693981 |
| 163 | 2059 220 | Dichtung-Luftfilter | gasket - air cleaner | 272653 |
| 276 | 2059 202 | Dichtung | washer-sealing | 271716 |
| 358 | 2069 021 | Dichtungssatz-Motor | gasket set - engine | 497316 |
| 524 | 2056 175 | O-Ring.Ölrohr | o-ring | 692296 |
| 585 | 2063 209 | Dichtung-Gehäuse | gasket - breather passage | 272238 |
| 617 | 1034 428 | O - Ring/Vergaser | seal - o ring | 270344 |
| 668 | 2058 055 | O-Ring | spacer | 493823 |
| 842 | 1034 439 | O-Ring-Meßstab | o-ring | 691031 |
| 883 | 2059 501 | Auspuffdichtung | gasket - exhaust | 272253 |
| 977 | 2059 223 | Dichtungssatz Vergas. | gasket set - carburetor | 490937 |
| 1059 | 2059 203 | Schrauben-Muttern Satz | screw-nut kit | 696293 |
| 1095 | 2069 057 | Dichtungssatz | gasket set - valve | 498528 |