

IBEA

POWER PRODUCTS

Modello n.
IB-5366F

Serie dal n.
313

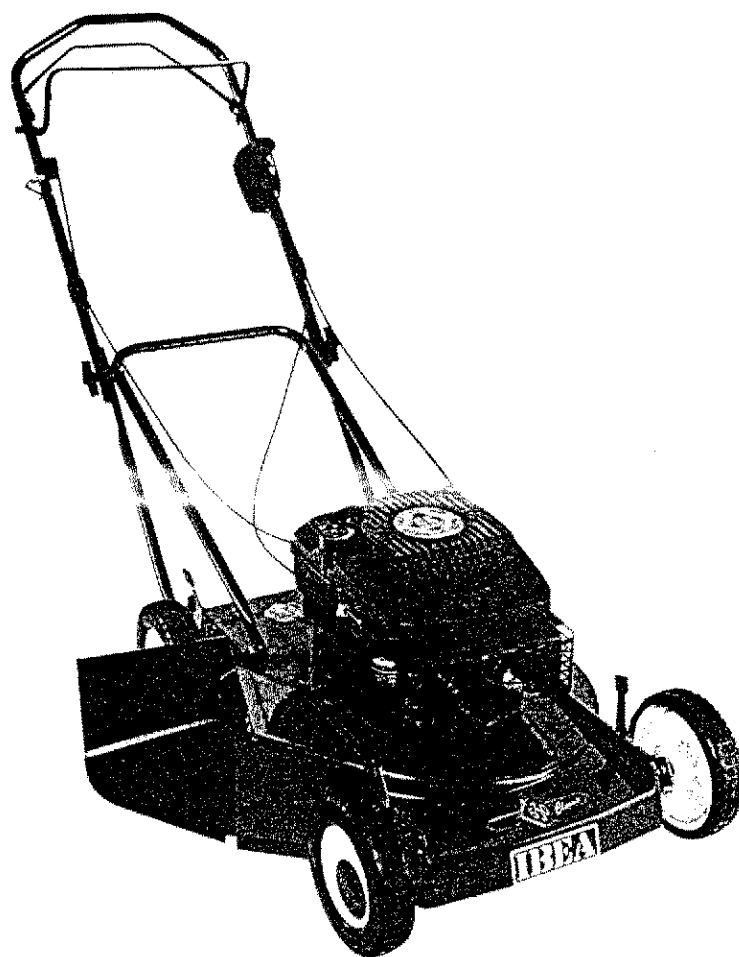
Stampato n° P5090248

LISTA RICAMBI

SPARE PARTS LIST

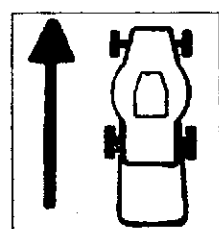
ERSATZTEILLISTE

LISTE DES PIECES DE RECHANGE

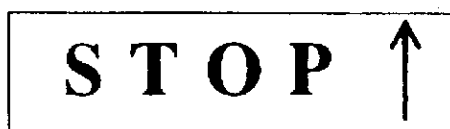


SERIE 530 SCARICO LATERALE

REF. N°	PART. N°	QTY	DESCRIZIONE	DESCRIPTION	DESCRIPTION	BESCHREIBUNG
1	P5140646	1	DECALCO	DECAL	MARQUAGE	AUFKLEBER
2	P5140645	1	DECALCO	DECAL	MARQUAGE	AUFKLEBER
3	P5140337	1	DECALCO	DECAL	MARQUAGE	AUFKLEBER
4	P5140531	1	DECALCO	DECAL	MARQUAGE	AUFKLEBER
5	P5140631	1	DECALCO	DECAL	MARQUAGE	AUFKLEBER
6	P5140552	1	DECALCO	DECAL	MARQUAGE	AUFKLEBER
7	P5140550	1	DECALCO	DECAL	MARQUAGE	AUFKLEBER
8	P5140334	1	DECALCO	DECAL	MARQUAGE	AUFKLEBER
*	P5110008	1	CHIAVE TUBO	KEY	CLEF	SCHLÜSSEL
*	P5090181	1	MANUALE ISTRUZIONI	INSTRUCTION MANUAL	MODE D'EMPLOI	BEDIENUNGSANLEITUNG



1



2



3



4



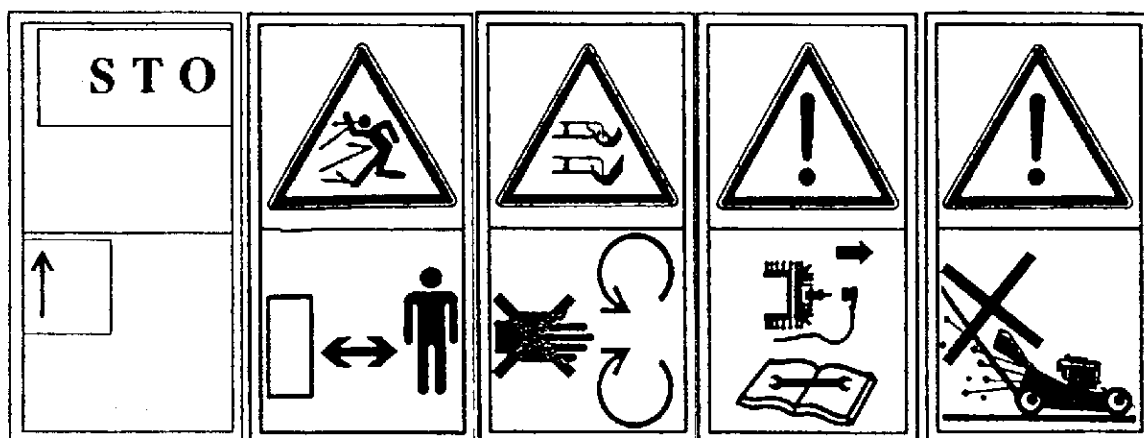
5



6



7



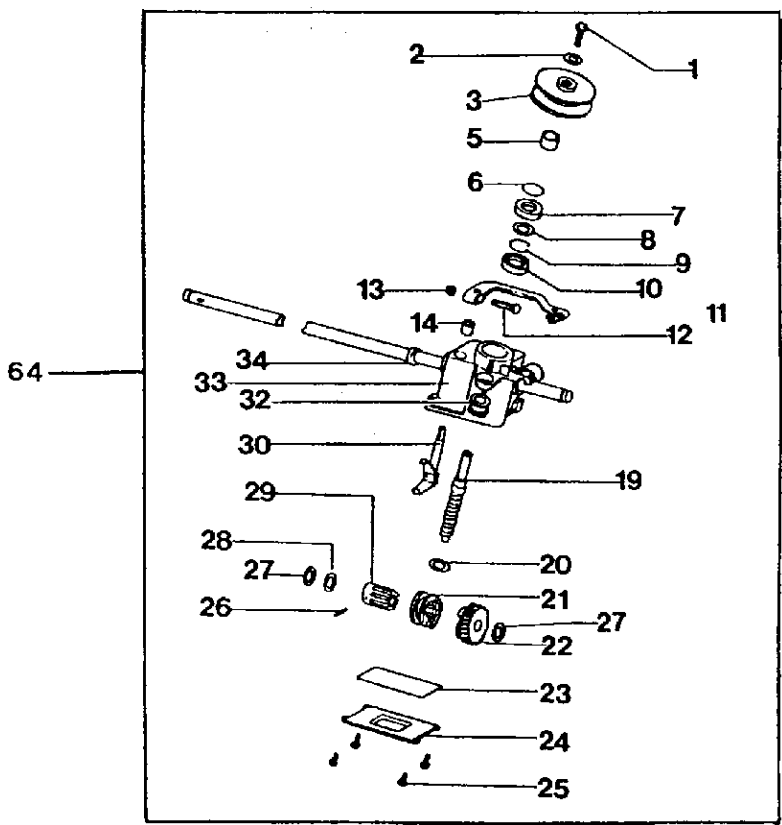
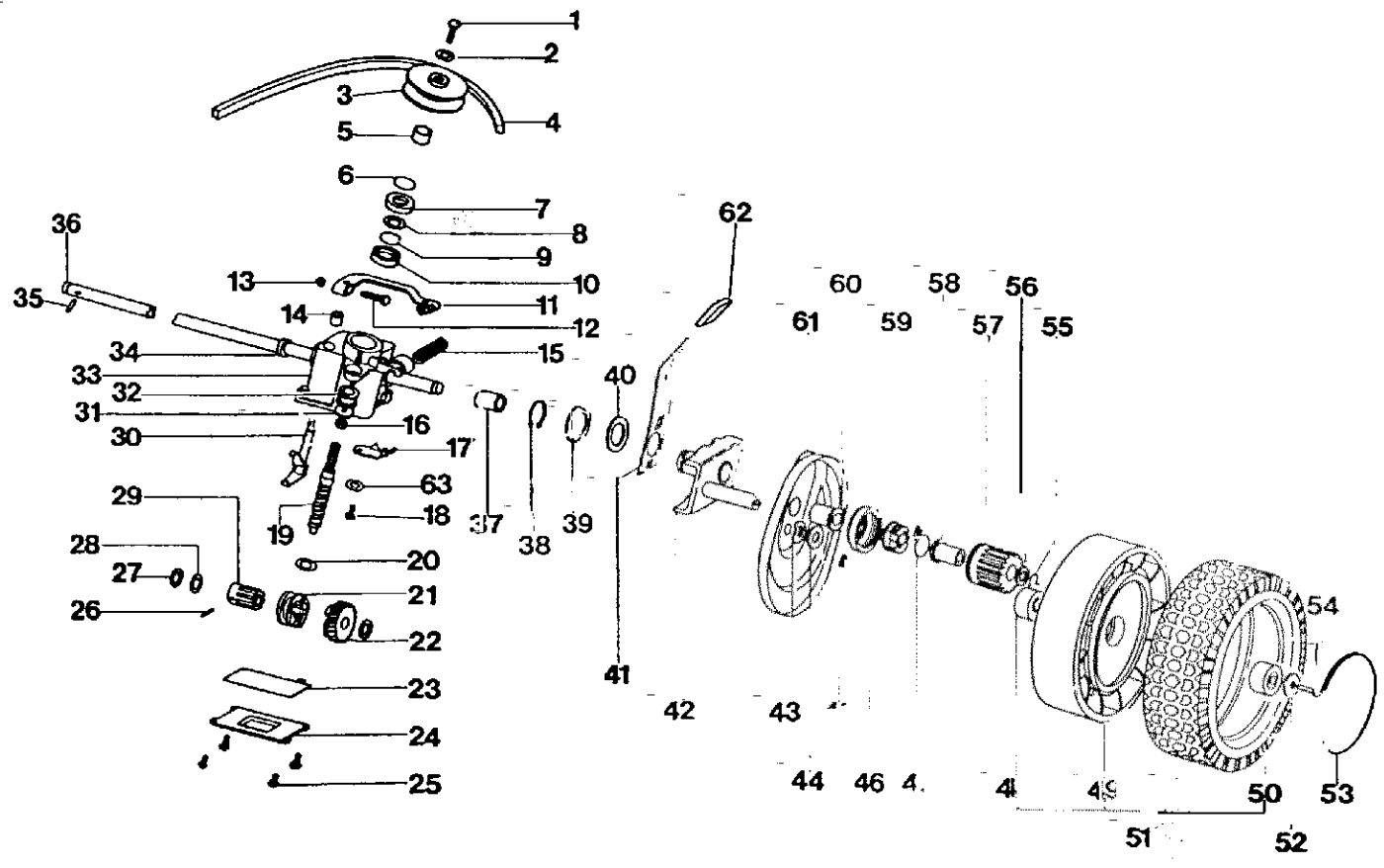
8

IBEA S.p.A.

Via De Gasperi, 5 - 22070 LUISAGO (CO)
Tel.: 031/92.91.50 - Fax: 031/92.94.07-92.86.07

REF. N°	PART. N°	QTY	DESCRIZIONE	DESCRIPTION	DESCRIPTION	BESCHREIBUNG
1		1	MOTORE	ENGINE	MOTEUR	MOTOR
2	P1050011	3	DADO	NUT	ÉCROU	MUTTER
3	P2020165	1	CAPOTTINA	ENGINE COVER	COUVERCLE MOTEUR	MOTORABDECKUNG
4	P1010154	2	VITE	SCREW	VIS	SCHRAUBE
5	P1010148	2	VITE	SCREW	VIS	SCHRAUBE
6	2020050A1	2	GALLETTO	KNOB	POIGNÉE	MUTTER
7	P02070251	2	STEGOLA INF.	LOWER HANDLEBAR	GUIDON INF.	HOLMUNTERTEIL
8	P1010125	2	VITE	SCREW	VIS	SCHRAUBE
9	P1050011	2	DADO	NUT	ÉCROU	MUTTER
10	P02071151	1	RINFORZO STEGOLA	REINFORCEMENT	RENFORCEMENT	VERSTÄRKUNG
11	1010003A1	2	VITE	SCREW	VIS	SCHRAUBE
12	P2020062	2	COPRIMOZZO	COVER	COUVERCLE	DECKEL
13	1010018A1	2	VITE	SCREW	VIS	SCHRAUBE
14	1020007A1	2	RONDELLA	WASHER	RONDELLE	SCHEIBE
15	P2020083	2	COPERTONE	TYRE	PNEU	REIFEN
16	P3030013	4	CUSCINETTO	BEARING	PAUIER	LAGER
17	P2020082	2	CERCHIO	WHEEL HUB	JANTE	FELGE
18	P2020128	2	COPRI RUOTA	WHEEL COVER	PROTECTION	ABDECKUNG
19	P00015176	2	RUOTA ANT. COMPL.	FRONT WHEEL ASSY	ROUE ANT. COMPL.	RAD KOMPL.
20	P2020088	2	DISTANZIALE	SPACER	DOUILLE	ABSTANDSSTÜCK
21	P1020050	2	RONDELLA	WASHER	RONDELLE	SCHEIBE
22	P4020028	2	PORTA RUOTA ANT.	FRONT WHEEL SUPPORT	SUPPORT ROUE ANT.	RADHALTER
23	P1050012	2	DADO	NUT	ÉCROU	MUTTER
24	P3040119	2	BUSSOLA	BUSHING	DOUILLE	BÜCHSE
25	P4020039	1	LEVA ALZA RUOTA ANT.SX	L.H. FRONT LEVER	LEVIER ANT. GAUCHE	HEBEL L.
26	P4020038	1	LEVA ALZA RUOTA ANT.DX	R.H. FRONT LEVER	LEVIER ANT. DROITE	HEBEL R.
25	P1010116	2	VITE	SCREW	VIS	SCHRAUBE
27	P3040118	2	BUSSOLA	BUSHING	DOUILLE	BÜCHSE
28	P2020077	2	POMELLO	KNOB	POIGNÉE	ABDECKUNG
29	P1050011	2	DADO	NUT	ÉCROU	MUTTER
30	P4090010	1	SCOCCA	MOWERDECK	CHÂSSIS	GEHÄUSE
31	P1010076	4	VITE	SCREW	VIS	SCHRAUBE
32	P2020141	1	CARTER COPRICINGHIA	BELT COVER	PROTECTION	ABDECKUNG
33	P1060004	2	STARLOCK	STARLOCK	STARLOCK	STARLOCK
34	P00020351	1	CERNIERA	HINGE	CHARNIERE	STARLOCK
35	P01027251	1	ASTINA	SHAFT	ARBRE	SCHARNIER
36	P3020022		MOLLA PER PORTELLO	SPRING	RESSORT	ACHSE
37	P3040203	2	DISTANZIALE	SPACER	DOUBBLE	FEDER
38	P00020151	1	DEFLETTORE	SHIELD	PLAQUE DE PROTECTION	ABSTANDSSTÜCK
39	P1050014	2	DADO	NUT	ÉCROU	SCHUTZ
40	P1060012	2	STARLOCK	STARLOCK	STARLOCK	MUTTER
41	P1010150	2	VITE	SCREW	VIS	STARLOCK
42	P2020138	1	TARGHETTA IBEA	IBEA PLAQUE	PLAQUE IBEA	SCHRAUBE
43	1020014A1	3	RONDELLA	WASHER	RONDELLE	IBEA AUFKLEBER
44	P1010097	2	VITEx8&S QUANTUM	SCREWx8&S QUANTUM	VISx8&S QUANTUM	SCHEIBE
44	P1010092		VITEx8&S QUANTUM	SCHREWx8&S QUANTUM	VISx8&S QUANTUM	SCHRAUBEx8&S QUANTUM
44	P1010101	3	VITEx8&S 2 T.	SCREWx8&S 2 T.	VISx8&S 2 T.	SCHRAUBEx8&S QUANTUM
45	1090001A1	1	CHIAVETTA	KEY	CLAVETTE	SCHRAUBEx8&S 2 T.
46	P3040309	1	BUSSOLA LAMA	BLADE BUSHING	DOUILLE DE COUTEAU	SCHEIBENFEDER
47	P4050028		LAMA	BLADE	COUTEAU	MESSERBÜCHSE
48	1110002A1		MOLLA A TAZZA	SPRING	RESSORT	MESSER
49	1020015A1		RONDELLA ELASTICA	SPRING WASHER	RONDELLE ELAST.	FEDER
50	P1010050		VITE LAMA	BLADE SCREW	VIS DE COUTEAU	FEDERSCHEIBE
						MESSERSCHRAUBE

Assale posteriore e trasmissione
Rear axle and gear box
Essieux arrière et transmission
Hinterachse und Getriebe



REF. N°	PART. N°	QTY	DESCRIZIONE	DESCRIPTION	DESCRIPTION	BESCHREIBUNG
1	1010018A1	1	VITE	SCREW	VIS	SCHRAUBE
2	1020007A1	1	RONDELLA	WASHER	RONDELLE	SCHIBE
3	P3040048	1	PULEGGIA	PULLEY	POULIE	RIEMENSCHIBE
4	P3010019	1	CINGHIA TRASMISSIONE	TRANSMISSION BELT	COURROIE DE TRANSMISSION	RIEMEN
5	P3040049	1	BUSSOLA DISTANZIALE	BUSHING	DOUILLE	BÜCHSE
6	P3170013	1	O-RING	O-RING	JOINT TORIQUE	GUMMINGRING
7	P3170010	1	PARAOILIO	OIL SEAL	JOINT D'ARBRE	WELLENDICHTRING
8	P1020051		SPESSORE	WASHER	RONDELLE	SCHIBE
9	P1070004		SEEGER	CIRCLIP	SEEGER	SEEGER
10	P3030010		CUSCINETTO	BEARING	PALIER	LAGER
11	P4070011		LEVA PER RIDUTTORE	LEVER	LEVIER	HEBEL
12	P1010075		VITE	SCREW	VIS	SCHRAUBE
13	1050003A1		DADO	NUT	ECROU	MUTTER
14	P3170012		PARAOILIO	OIL SEAL	JOINT D'ARBRE	WELLENDICHTRING
15	P3020010		MOLLA	SPRING	RESSORT	FEDÉR
16	1010018A1		VITE	SCREW	VIS	SCHRAUBE
17	P4030010		COPERCHIO MOLLA	SPRING COVER	COUVERCLE	FEDERHALTER
18	P1010076		VITE	SCREW	VIS	SCHRAUBE
19	P3040042		VITE SENZA FINE	WORM GEAR	VIS SANS FIN	SCHNECKE
20	P1020053		SPESSORE	WASHER	RONDELLE	SCHIBE
21	P00038099		INNESTO	SELECTOR COLLAR	MANCHON	SCHALTBÜCHSE
22	P00038199	1	CORONA	WORM WHEEL	ROUE POUR VIS S. FIN	SCHNECKENRAD
23	P3170014	1	O-RING	O-RING	JOINT TORIQUE	GUMMINGRING
24	P4110001	1	COPERCHIO SCATOLA	BOX COVER	COUVERCLE	DECKEL
25	P1010076	4	VITE	SCREW	VIS	SCHRAUBE
26	P1080007		SPINA	PIN	GOUPILLE	STIFT
27	1020020A1	2	SPESSORE	WASHER	RONDELLE	SCHIBE
28	P1020051	1	SPESSORE	WASHER	RONDELLE	SCHIBE
29	P3050030	1	BUSSOLA SCANALATA	BUSHING	DOUILLE CANNELÉE	KEILHÜLSE
30	P3040041	1	FORCELLA INNESTO	FORK	FOURCHE	GABEL
31	P1020054		RONDELLA	WASHER	RONDELLE	SCHIBE
32	P2040010		GOMMINO	RUBBER TUBE	TUBE DE PROTECTION	SCHUTZHÜLLE
33	P00039199	1	SCATOLA RIDUTTORE	GEAR BOX	BOÎTE DE REDUCTEUR	UNTERSATZUNGSGETRIEBE
34	P3170011	2	PARAOILIO	OIL SEAL	JOINT D'ARBRE	WELLENDICHTRING
35	P1080004	2	SPINA ALBERO TRASM.	PIN	GOUPILLE	STIFT
36	P3040075		ALBERO DI TRASM.	TRANSMISSION SHAFT	ARBRE DE TRANSMISSION	WELLE
37	3030003A1	2	CUSCINETTO	BEARING	PALIER	LAGER
38	P1070008	2	SEEGER	CIRCLIP	SEEGER	SEEGER
39	P1020057	2	DISTANZIALE	SPACER	DOUILLE	ABSTANDSSTÜCK
40	P1020058	2	DISTANZIALE	SPACER	DOUILLE	ABSTANDSSTÜCK
41	P4020019		LEVA ALZA RUOTA POST. SX	LEFT REAR WHEEL LEVER	LEVIER ROUE POST. DROITE	RADHEBEL L.
42	P4020020		LEVA ALZA RUOTA POST. DX	RIGHT REAR WHEEL LEVER	LEVIER ROUE POST. DROITE	RADHEBEL R.
43	P4020029	2	PORTA RUOTA	WHEEL SUPPORT	SUPPORT	RADHALTER
44	P1020050	2	RONDELLA ELASTICA	SPRING WASHER	RONDELLE ELAST.	FEDERSCHIBE
45	P2020088	2	DISTANZIALE PER RUOTA	WHEEL SPACER	DOUILLE	ABSTANDSSTÜCK
46	P2110001	4	SALTARELLO	CAM	CLIQUET	NOCKEN
47	P2020060	2	COPRIPIGNONE	CAGE	CAGE	KÄFIG
48	P3020012	2	MOLLA	SPRING	RESSORT	FEDER
49	P3030013	4	CUSCINETTO RUOTA	WHEEL BEARING	PALIER	LAGER
50	P2020084	2	CERCHIO	WHEEL HUB	JANTE	FELGE
51	P2020083	2	COPERTONE	TYRE	PNEU	REIFEN
52	P00015276	2	RUOTA COMPL.	WHEEL ASSY.	ROUE COMPL.	RAD KOMPL.
53	1020007A1	2	RONDELLA	WASHER	RONDELLE	SCHIBE
54	P2020062	2	COPRIMOZZO	COVER	COUVERCLE	DECKEL
55	1010018A1	2	VITE PER RUOTA	WHEEL SCREW	VIS POUR ROUE	RADSCHRAUBE
56	1070001A1	2	SEEGER	CIRCLIP	SEEGER	SEEGER
57	1020020A1	2	SPESSORE	WASHER	RONDELLE	SCHIBE
58	P3050031	2	PIGNONE	PINION	PIGNON	RITZEL
59	P2020059	2	BUSSOLA	BUSHING	DOUILLE	BÜCHSE
60	P2100001	2	CRICCHETTO	DRIVER	CLIQUET	MITNEHMER
61	P2020070	2	BUSSOLA	BUSHING	DOUILLE	BÜCHSE
62	P4030011	2	COPRI RUOTA	WHEEL COVER	PROTECTION	ABDECKUNG
63	P2020077	4	POMELLO PER LEVA	KNOB	POIGNÉE	ABDECKUNG
64	P1020055		RONDELLA	WASHER	RONDELLE	SCHIBE
65	P00078668		SCATOLA RIDUT. COMPL.	GEAR BOX ASS.Y	REDUCTEUR COMPL.	FAHRGETRIEBE KOMP.

REF. N°	PART. N°	QTY	DESCRIZIONE	DESCRIPTION	DESCRIPTION	BESCHREIBUNG
1	P4080038VE	1	MANIGLIA SYSTEM 2	SYSTEM 2 LEVER	LEVIER SYSTEM 2	SYSTEM 2 HEBEL
2	P02042181	1	MANIGLIA TRAZIONE	TRACTION LEVER	POIGNÉE DE TRACTION	ANTRIEBSHEBEL
3	P2020153	4	BUSSOLA	BUSHING	DOUILLE	BÜCHSE
4	P5140552	1	DECALCO ACCELERAT.	DECAL	MARQUAGE	AUFKLEBER
5	P1010102	2	VITE	SCREW	VIS	SCHRAUBE
6	P2020107	1	SCATOLA ACCELER. SX	L.H. HOUSING	BOÎTE GAUCHE	SCHALE L.
7	P00065099	1	LEVA ACCELERATORE	THROTTLE LEVER	LEVIER DE COMMANDE	GASHEBEL
8	P2020108	1	NOTTOLINO	BOLT	BOULON	STIFT
9	P4010059	2	MOLLA	SPRING	RESSORT	FEDER
10	P2020106	1	SCATOLA ACCELER. DX	R.H. HOUSING	BOÎTE DROITE	SCHALE R.
11	P1010078	1	VITE	SCREW	VIS	SCHRAUBE
12	P4010060	1	PIASTRINA	PLATE	PLAQUE	PLATTE
13	1050003A1	1	DADO	NUT	ÉCROU	MUTTER
14	P2020080	2	FERMA CAVO	CLIP	CLIP	HALTER
15	P5010029	1	CAVO TRAZIONE	TRACTION CABLE	CÂBLE DE TRACTION	ANTRIEBSKABEL
16	P5020049	1	CAVO ACCELERATORE	THROTTLE CABLE	CÂBLE DE GAZ	GASKABEL
17	1050003A1	2	DADO	NUT	ÉCROU	MUTTER
18	P1010065	1	VITE	SCREW	VIS	SCHRAUBE
19	1050003A1	1	DADO	NUT	ÉCROU	MUTTER
20	1020013A1	1	RONDELLA	WASHER	RONDELLE	SCHEIBE
21	P1010203	1	VITE	SCREW	VIS	SCHRAUBE
22	P01068343	1	SUPPORTO A RICCIOLO	STARTER HOLDER	SUPPORT	HALTER
23	1050002A1	1	DADO	NUT	ÉCROU	MUTTER
24	P5010059	1	CAVO SYSTEM 2	SYSTEM 2 CABLE	CÂBLE SYSTEM 2	SYSTEM 2 KABEL
25	P3120103VE	1	STEGOLA SUPERIORE	UPPER HANDLE BAR	GUIDON SUP.	OB. FÜHRUNGSHOLM
26	P00035099	1	SCATOLA ACC. COMPL.	THROTTLE HOUSING ASS.Y	BOÎTE DE GAZ COMP.	GASGEHÄUSE KOMPL.

Vista generale
Complete machine
Vue d'ensemble
Gesamtansicht

