

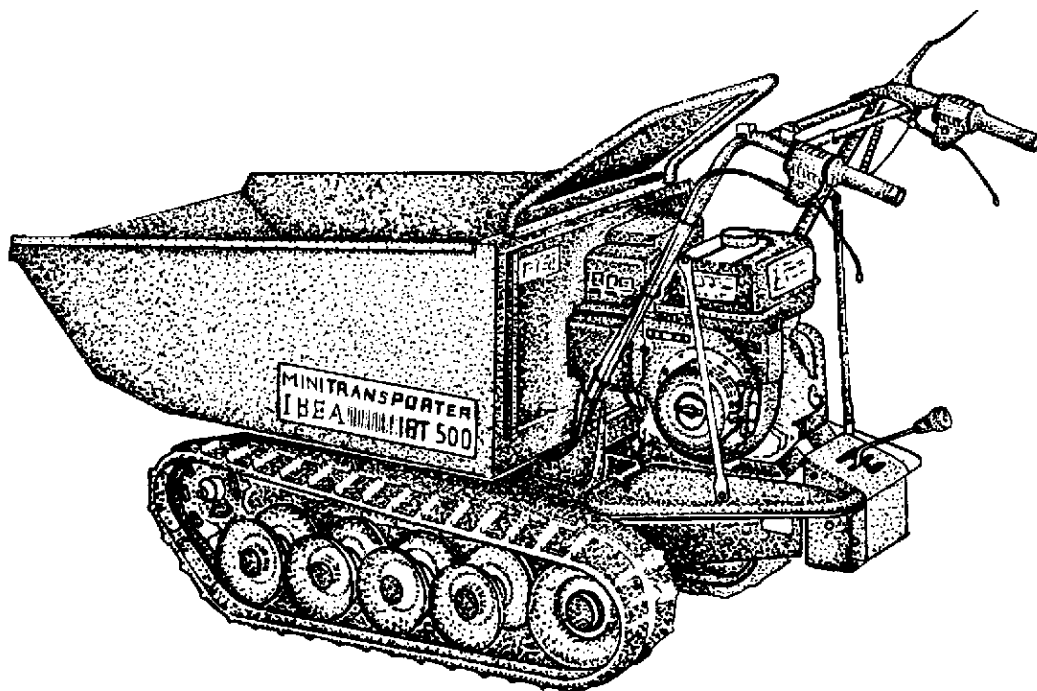
# **IBEA**

**POWER PRODUCTS**

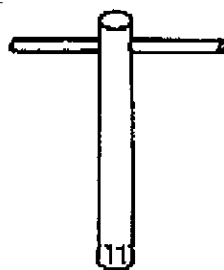
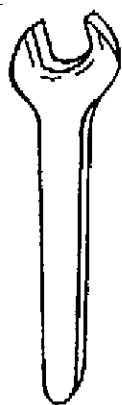
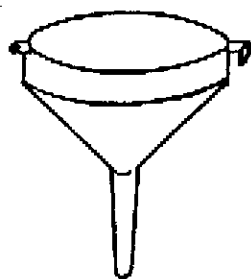
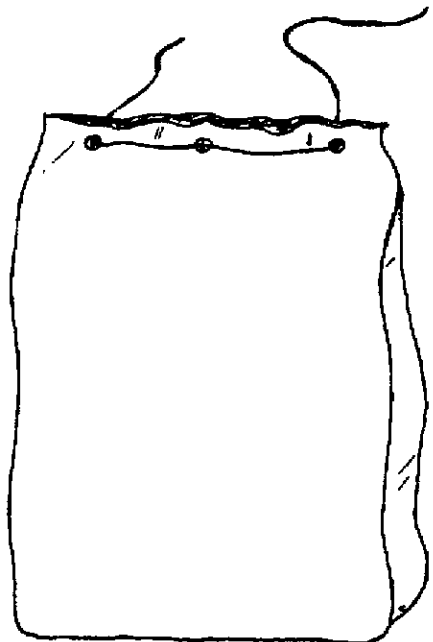
Modello n.	Serie dal n.
IBT-500	97001
IBT-500D	97001
IBT-500DH	97001

Stampato n° P5090260

**LISTA RICAMBI**  
**SPARE PARTS LIST**  
**ERSATZTEILLISTE**  
**LISTE DES PIECES DE RECHANGE**



## **MINITRANSPORTER IBT-500**

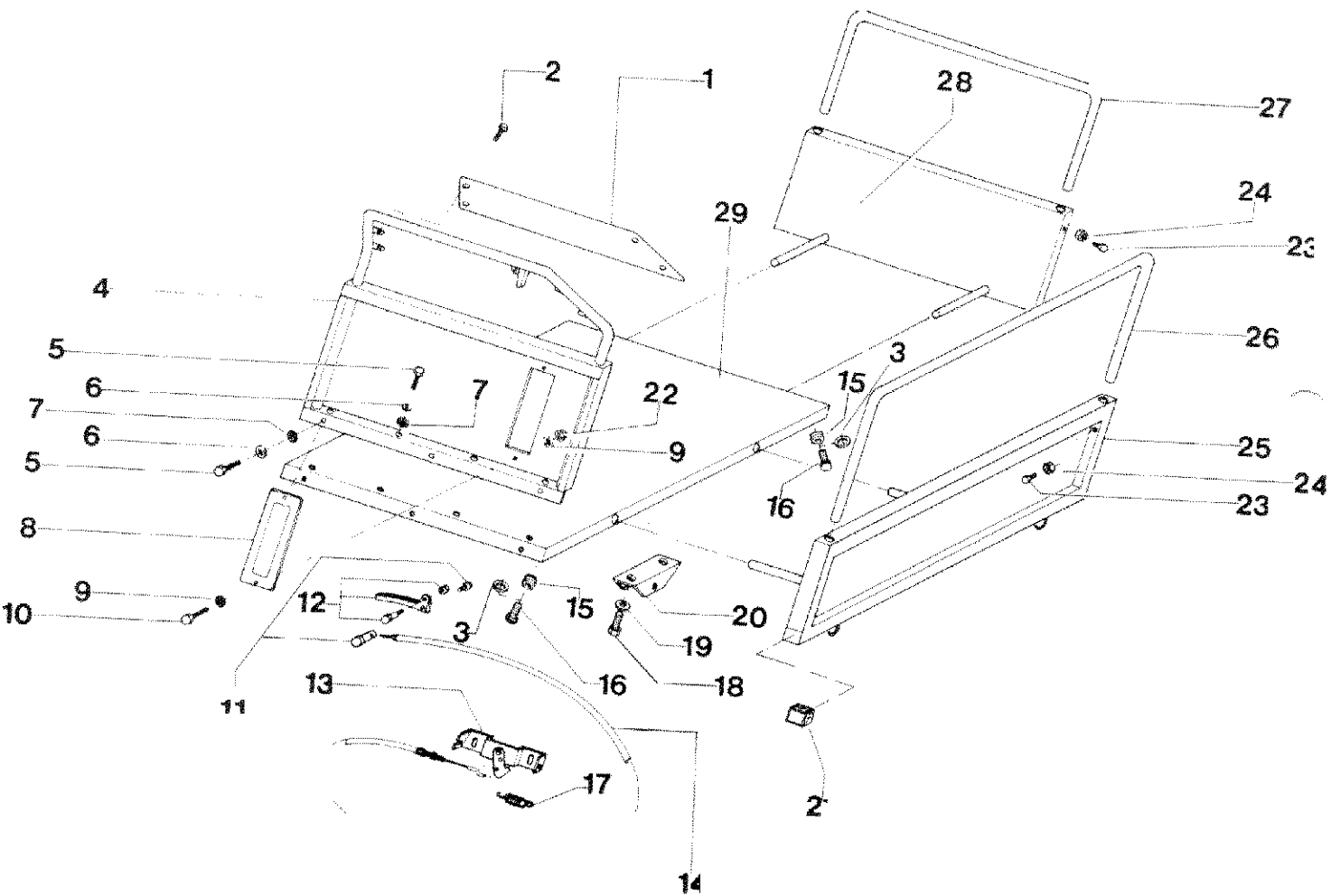


**IBEA** S.p.A.

Via De Gasperi, 5 - 22070 LUISAGO (CO)  
Tel.: 031/92.91.50 - Fax: 031/92.94.07-92.86.07

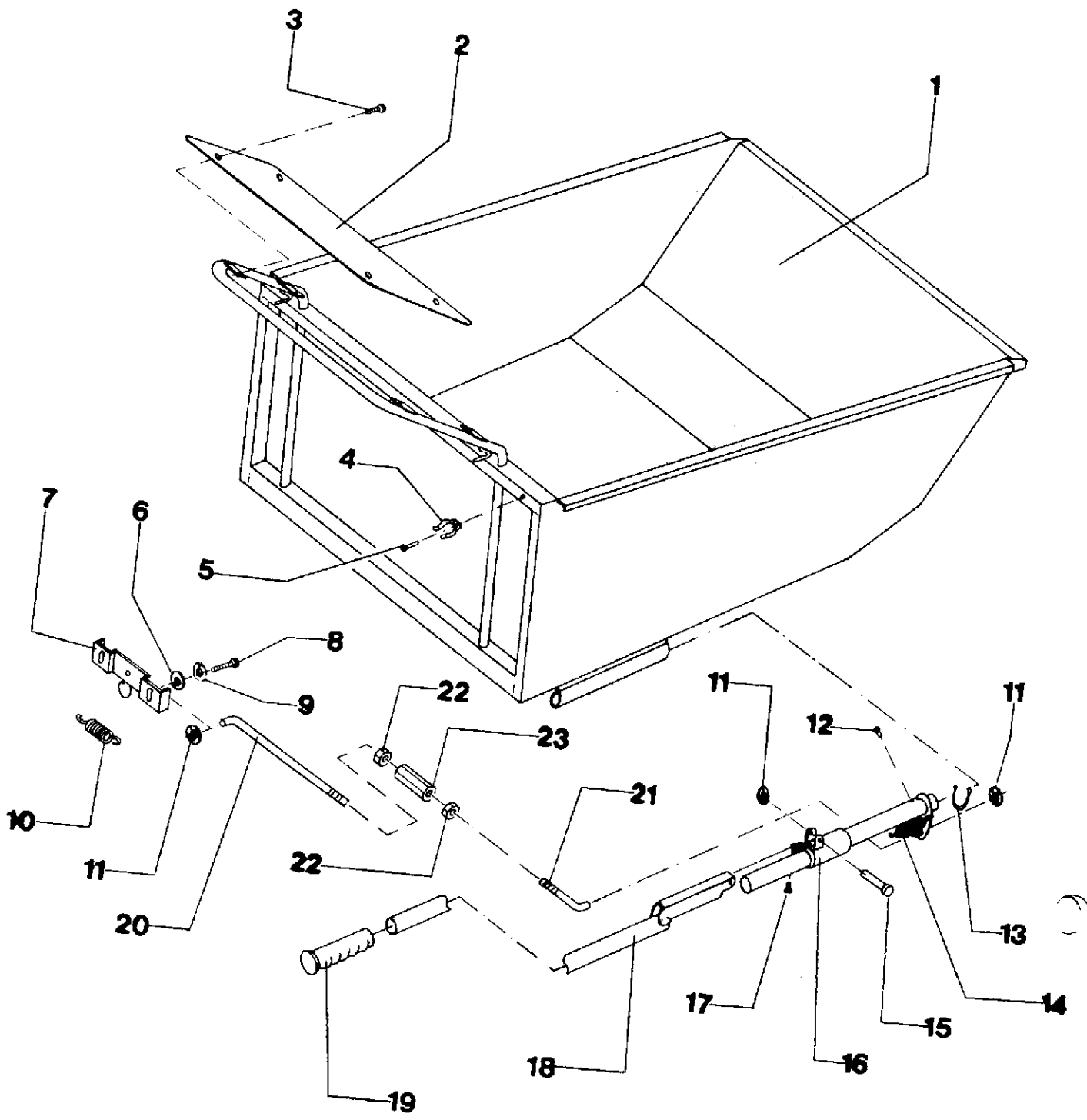
REF. N°	PART. N°	QTY	DESCRIZIONE	DESCRIPTION	DESCRIPTION	BESCHREIBUNG
1	P3010030	2	CINGOLO	CRAWLER	CHENILLE	RAUPE
2	P1010224	6	VITE	SCREW	VIS	SCHRAUBE
3	P4010306VE	1	PEDANA SINISTRA	BOARD L.H.	GARDE-BOUE G.	KURZ-KOTFLÜGEL L.
4	1050002A1	6	DADO	NUT	ÉCROU	MUTTER
5	P3060069VE		STRUTTURA PEDANA	BOARD FRAME	MONTURE	GESTELL
6	P4010310RI	1	CARTER DI CHIUSURA	COVER	COUVERCLE	DECKEL
7	P1010224	2	VITE	SCREW	VIS	SCHRAUBE
8	P1010224	3	VITE	SCREW	VIS	SCHRAUBE
9	P4010307RI	1	CARTER LATERALE	SIDE COVER	COUVERCLE LAT.	DECKEL
10	P4010313VE	1	CARTER INFERIORE	LOWER COVER	COUVERCLE INF.	DECKEL
11	P1010224	2	VITE	SCREW	VIS	SCHRAUBE
12	P3060070RI	1	PEDANA DESTRA	BOARD R.H.	GARDE-BOUE D.	KURZ-KOTFLÜGEL R.
13	P3060073RI		TELAIO	FRAME	MONTURE	GESTELL
14	P4010309RI		CARTER DI CHIUSURA	COVER	COUVERCLE	DECKEL
15	P10102240	1	VITE	SCREW	VIS	SCHRAUBE
16	P1010222	2	VITE	SCREW	VIS	SCHRAUBE
17	P1020114	4	RONDELLA ELASTICA	SPRING WASHER	RONDELLE	SCHEIBE
18	P1020123	4	RONDELLA	WASHER	RONDELLE	SCHEIBE
19	P1010156	2	VITE	SCREW	VIS	SCHRAUBE
20	P1020117	2	RONDELLA ELASTICA	SPRING WASHER	RONDELLE	SCHEIBE
21	P3040351ZT	2	BOCCOLA	BUSHING	DOUILLE	BÜCHSE
22	1020014A1	2	RONDELLA	WASHER	RONDELLE	SCHEIBE
23	P1010221	2	VITE	SCREW	VIS	SCHRAUBE
24	P1050029	2	DADO	NUT	ÉCROU	MUTTER
25	P1020121	2	RONDELLA	WASHER	RONDELLE	SCHEIBE
26	P3060063VE	1	TENDICINGOLO DESTRO	CRAWLER TENSIONER R.H.	TENDEUR DE CHENILLE D.	RAUPENFAHRGESTELLS R.
26	P3060064VE		TENDICINGOLO SINISTRO	CRAWLER TENSIONER L.H.	TENDEUR DE CHENILLE G.	RAUPENFAHRGESTELLS L.
27	P4010268	2	RIDUZIONE GUIDA ASSALE	AXLE GUIDE REDUCTION	RÉDUCTION GUIDE ESSIEU	HALTER
28	P3170023	2	ANELLO DI TENUTA	SNAP RING	RONDELLE	SCHEIBE
29	P3030028	4	CUSCINETTO	BEARING	PALIER	LAGER
30	P3060067VE	2	RULLO	ROLLER	ROULEAU	ROLLE
31	P1020062	10	RONDELLA	WASHER	RONDELLE	SCHEIBE
32	P1010220	10	VITE	SCREW	VIS	SCHRAUBE
33	P3170022	2	CAPPELLOTTA CHIUSURA	CAP	CAPUCHON	ABSCHLUSSKAPPE
34	P1010161	1	VITE	SCREW	VIS	SCHRAUBE
35	P1010008	1	DADO	NUT	ÉCROU	MUTTER
36	1020014A1		RONDELLA	WASHER	RONDELLE	SCHEIBE
37	P1020117	1	RONDELLA ELASTICA	SPRING WASHER	RONDELLE	SCHEIBE
38	P3170020	8	CAPPELLOTTA CHIUSURA	CAP	CAPUCHON	ABSCHLUSSKAPPE
39	P3030027	16	CUSCINETTO	BEARING	PALIER	LAGER
40	P3060068VE	8	RULLO	ROLLER	ROULEAU	ROLLE
41	P1020055	6	RONDELLA	WASHER	RONDELLE	SCHEIBE
42	P1020056	8	RONDELLA ELASTICA	SPRING WASHER	RONDELLE	SCHEIBE
43	P1010172	8	VITE	SCREW	VIS	SCHRAUBE
44	P4010347RI	1	CARTER PARAFANGO DX CON RIVETTI	FENDER COVER R.H. WITH RIVETS	COUVERCLE GARDE-BOUE DROIT AVEC RIVETS	DECKEL FÜR KURZ-KOT- FLÜGEL MIT NIET
45	P3170021	8	ANELLO DI TENUTA	SNAP RING	BAGUE	RING
46	P1050031	2	DADO	NUT	ÉCROU	MUTTER
47	P3100118ZT	2	CAVALLOTTO	RETAINER	ARRÊT	SPERRUNG
48	P4010256	2	STAFFA DI SOSTEGNO	SUPPORT BRACKET	SUPPORT	HALTER
49	P3040323ZT	2	BUSSOLA	BUSHING	DOUILLE	BÜCHSE
50	P3170026	4	O.R.	O-RING	O-RING	O-RING
51	P1010198	2	VITE	SCREW	VIS	SCHRAUBE
52	P1020123	2	RONDELLA	WASHER	RONDELLE	SCHEIBE
53	P4010349VE	1	TIRANTE	TIE ROD	TIRANT	SPANNSTAGE
54	P4010348RI	1	CARTER PARAFANGO SX CON RIVETTI	FENDER COVER L.H. WITH RIVETS	COUVERCLE GARDE-BOUE GAUCHE AVEC RIVETS	DECKEL FÜR KURZ-KOT- FLÜGEL MIT NIET
55	P3170024	2	ANTIVIBRANTE CASSONE	SILENT BLOCK	SILENT BLOCK	SILENT BLOCK
56	P4010255ZT	1	PIASTRA PORTA MOTORE	ENGINE SUPPORT PLATE	PLAQUE DE SUPPORT	PLATTE
57	P1010223	2	VITE	SCREW	VIS	SCHRAUBE
58	P5030028	1	CAVETTO DI MASSA	GROUND CABLE	CÂBLE D'ARRÊT	STOPKABEL
59	P1050010	4	DADO	NUT	ÉCROU	MUTTER
60	P1020095ZT	4	RONDELLA	WASHER	RONDELLE	SCHEIBE
61	P1010143	2	INGRASSATORE	GREASER	GRAISSEUR	SCHMIERER
62	P3170025	4	ANTIVIBRANTE MOTORE	SILENT BLOCK	SILENT BLOCK	SILENT BLOCK
63	1020014A1	4	RONDELLA	WASHER	RONDELLE	SCHEIBE
64	P1020117	4	RONDELLA ELASTICA	SPRING WASHER	RONDELLE	SCHEIBE
66	1020013A1	4	RONDELLA	WASHER	RONDELLE	SCHEIBE
67	P1010066	4	VITE	SCREW	VIS	SCHRAUBE
68	1020008A1	4	RONDELLA ELASTICA	SPRING WASHER	RONDELLE	SCHEIBE
69	P1010143	10	INGRASSATORE	GREASER	GRAISSEUR	SCHMIERER

Cassone estensibile (IBT-500)  
Extendible bed (IBT-500)  
Plan extensible (IBT-500)  
Ausziehbare Ladepritsche (IBT-500)



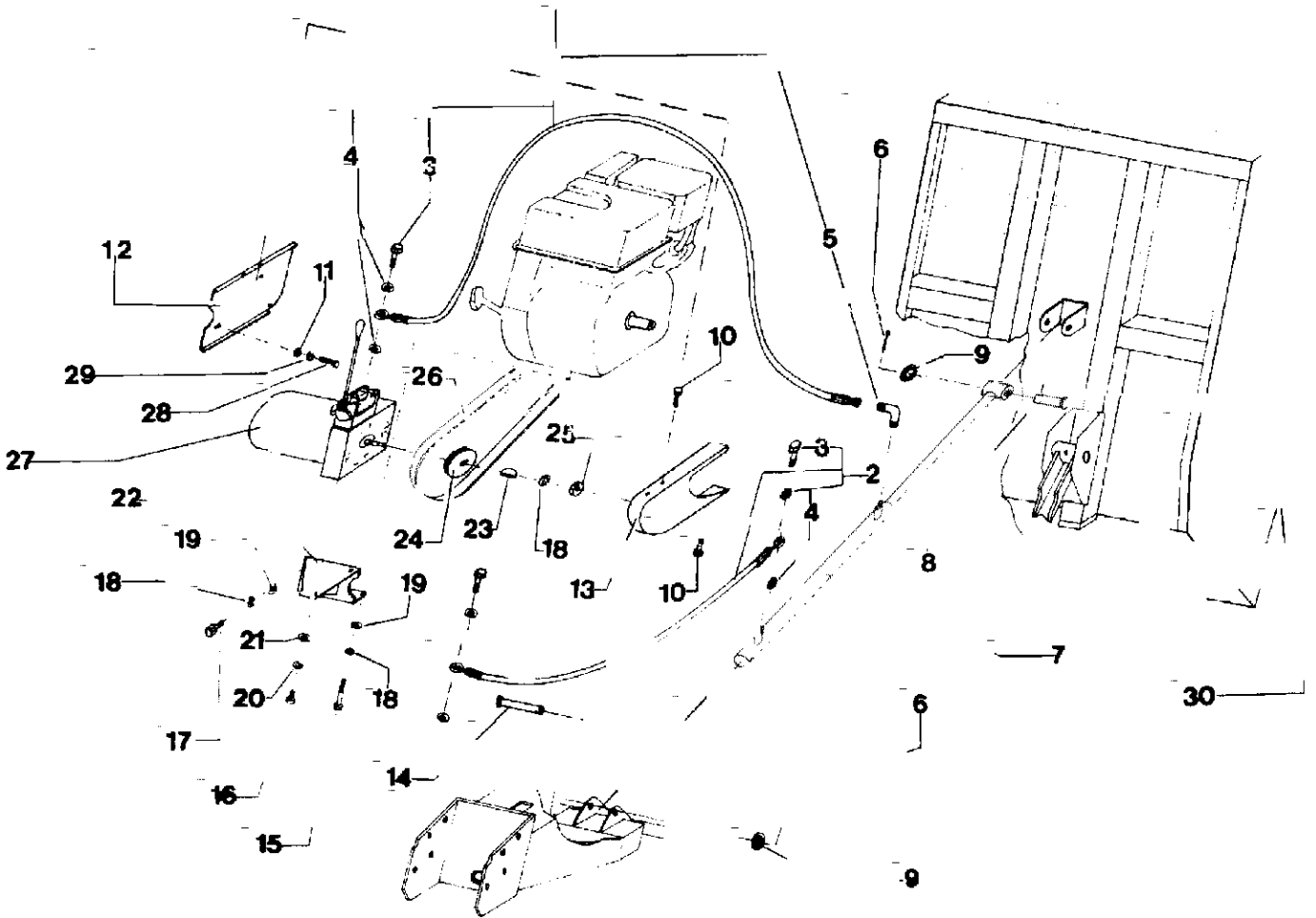
REF. N°	PART. N°	QTY	DESCRIZIONE	DESCRIPTION	DESCRIPTION	BESCHREIBUNG
	P4010323VE		PANNELLO CON LOGO	PANEL WITH LOGO	PANNEAU AVEC LOGO	TAFEL MIT LOGO
2	P1010224	4	VITE	SCREW	VIS	SCHRAUBE
3	P1020095ZT	6	RONDELLA	WASHER	RONDELLE	SCHIBE
4	P3060082RI		SPONDA POSTERIORE	REAR PANEL	RIDELLE ARRIÈRE	RÜCKWAND
5	P1010156	13	VITE	SCREW	VIS	SCHRAUBE
6	P1020117	13	RONDELLA ELASTICA	SPRING WASHER	RONDELLE	SCHIBE
7	1020014A1	13	RONDELLA	WASHER	RONDELLE	SCHIBE
8	P4010328VE	1	COPERCHIO SPONDA POST.	REAR PANEL COVER	COUVERCLE POST.	DECKEL
9	1020013A1	2	RONDELLA	WASHER	RONDELLE	SCHIBE
10	P1010066	2	VITE	SCREW	VIS	SCHRAUBE
11	P1010229	1	MORSETTO CAVO SGANCIO	CABLE CLAMP	BRIDE D'ETRIER	DRAHTSEILKLEMME
12	P4080039	1	LEVA SGANCIO	DISENGAGING LEVER	LEVIER	HEBEL
13	P3060077ZT	1	PIASTRA AGGANCIO	HOOK PLATE	PLAQUE	PLATTE
14	P5010075	1	CAVO SGANCIO CASSONE	DISENGAGING CABLE	CÂBLE	KABEL
15	P3020044ZT	6	MOLLA PER VOLANTINO	SPRING	RESSORT	FEDER
16	P5060019	6	VOLANTINO	WING NUT	ÉCROU DE FIXATION	BEFESTIGUNGSMUTTER
17	P3020043ZT	1	MOLLA AGGANCIO	SPRING	RESSORT	FEDER
18	P1010156	4	VITE	SCREW	VIS	SCHRAUBE
19	1020014A1	4	RONDELLA	WASHER	RONDELLE	SCHIBE
20	P4010296	2	ATTACCO CASSONE	COUPLING	ATELAGE	KUPPLUNG
21	P5060020	6	TAPPO	PLUG	BOUCHON	PFROPFEN
22	1050003A1	2	DADO	NUT	ÉCROU	MUTTER
23	P1010233	6	VITE	SCREW	VIS	SCHRAUBE
24	P1050007	6	CONTRODADO	JAM NUT	CONTRE-ÉCROU	GEGENMUTTER
25	P3060081VE	2	SPONDA LATERALE	SIDE PANEL	RIDELLE LAT.	SEITENWAND
26	P3120130VE	2	SOVRASPONDA LATERALE	SIDE BAR	BARRE RIDELLE LAT.	STANGE
27	P3120131VE	1	SOVRASPONDA ANTERIORE	FRONT BAR	BARRE RIDELLE ANT.	STANGE
28	P3060080VE		SPONDA ANTERIORE	FRONT PANEL	RIDELLE ANTÉRIEURE	WAND
29	P3060079RI		PIANALE CASSONE	BED	PLAN	LADEPRITSCH
*	P5170003		CASSONE ESTENSIBILE COMPL.	EXTENSIBLE BED ASS.Y	PLAN EXTENSIBILE COMPL.	AUSZIEHBARE LADEPRITSCH KOMP.

Cassone Dumper (IBT-500D)  
Dumper (IBT-500D)  
Benne (IBT-500D)  
Dumper-Pritsche (IBT-500D)



REF. N°	PART. N°	QTY	DESCRIZIONE	DESCRIPTION	DESCRIPTION	BESCHREIBUNG
1	P3060088RI	1	CASSONE DUMPER	DUMPER	BENNE	DUMPER-PRITSCHÉ
2	P4010323VE	1	PANNELLO CON LOGO	PANEL WITH LOGO	PANNEAU AVEC LOGO	TAFEL MIT LOGO
3	P1010224	4	VITE	SCREW	VIS	SCHRAUBE
4	P5040006	1	FASCETTA FISSA TUBO	CABLE CLAMP	COLLIER	RAPBAND
5	P1020106	1	RIVETTO	RIVET	RIVET	NIET
6	1020014A1	2	RONDELLA	WASHER	RONDELLE	SCHEIBE
7	P3060077ZT	1	PIASTRA AGGANCIÓ COMPL.	HOOK PLATE	PLAQUE	PLATTE
8	P1010156	2	VITE	SCREW	VIS	SCHRAUBE
9	P1020117	2	RONDELLA ELASTICA	SPRING WASHER	RONDELLE	SCHEIBE
10	P3020043ZT	1	MOLLA AGGANCIÓ CASSONE	HOOK SPRING	RESSORT	FEDER
11	1060002A1	3	STARLOCK	STARLOCK	STARLOCK	STARLOCK
12	P1080023	1	SPINA	PIN	GOUPILLE	STIFT
13	P1070017	1	SEEGER	CIRCLIP	SEEGER	SEEGER
14	P3020046ZT	1	MOLLA	SPRING	RESSORT	FEDER
15	P3040363ZT	1	PERNO PER SNODO	PIN	GOUPILLE	STIFT
16	P3090015VE	1	ASSIEME FERMO SNODO	JOINT RETAINER ASS.Y	ARRÉT	SPERRUNG
17	P1010241	1	VITE	SCREW	VIS	SCHRAUBE
18	P3090014VE	1	ASSIEME MANICO/SNODO	DUMPER LIFT HANDLE	LEVIER DE DÉCHARGEMENT	ENTLADEHFBEL
19	P5060017	1	MANOPOLA	GRIP	POIGNÉE	GRIFF
20	P3100133ZT	1	SEMI ASTA LUNGA SGANCIO	DISENGAGING ROD	TIGE LONGUE	STANGE
21	P31200132ZT	1	SEMI ASTA CORTA SGANCIO	DISENGAGING ROD	TIGE COURTE	STANGE
22	P1050007	2	DADO	NUT	ÉCROU	MUTTER
23	P3040368ZT	1	ESAGONO DI RACCORDO	FITTING	RACCORD	ANSCHLUSS
*	P5170002	1	CASSONE DUMPER COMPL.	DUMPER ASS.Y	BENNE COMPL.	DUMPER-PRITSCHÉ KOMP.

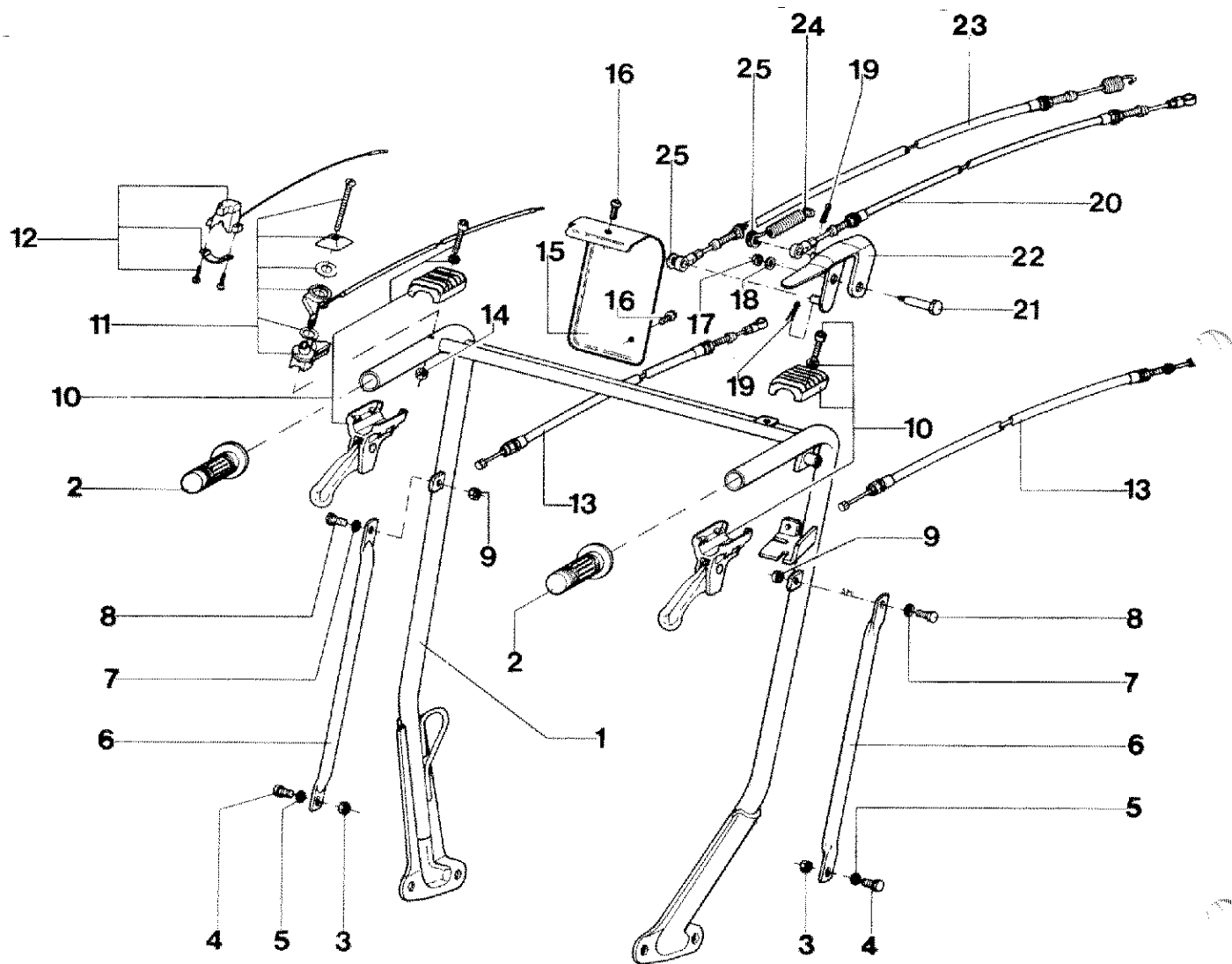
Cassone Dumper idraulico (IBT-500DH)  
Hydraulic dumper (IBT-500DH)  
Benne hydraulique (IBT-500DH)  
Hydraulische Dumper-Pritsche (IBT-500DH)





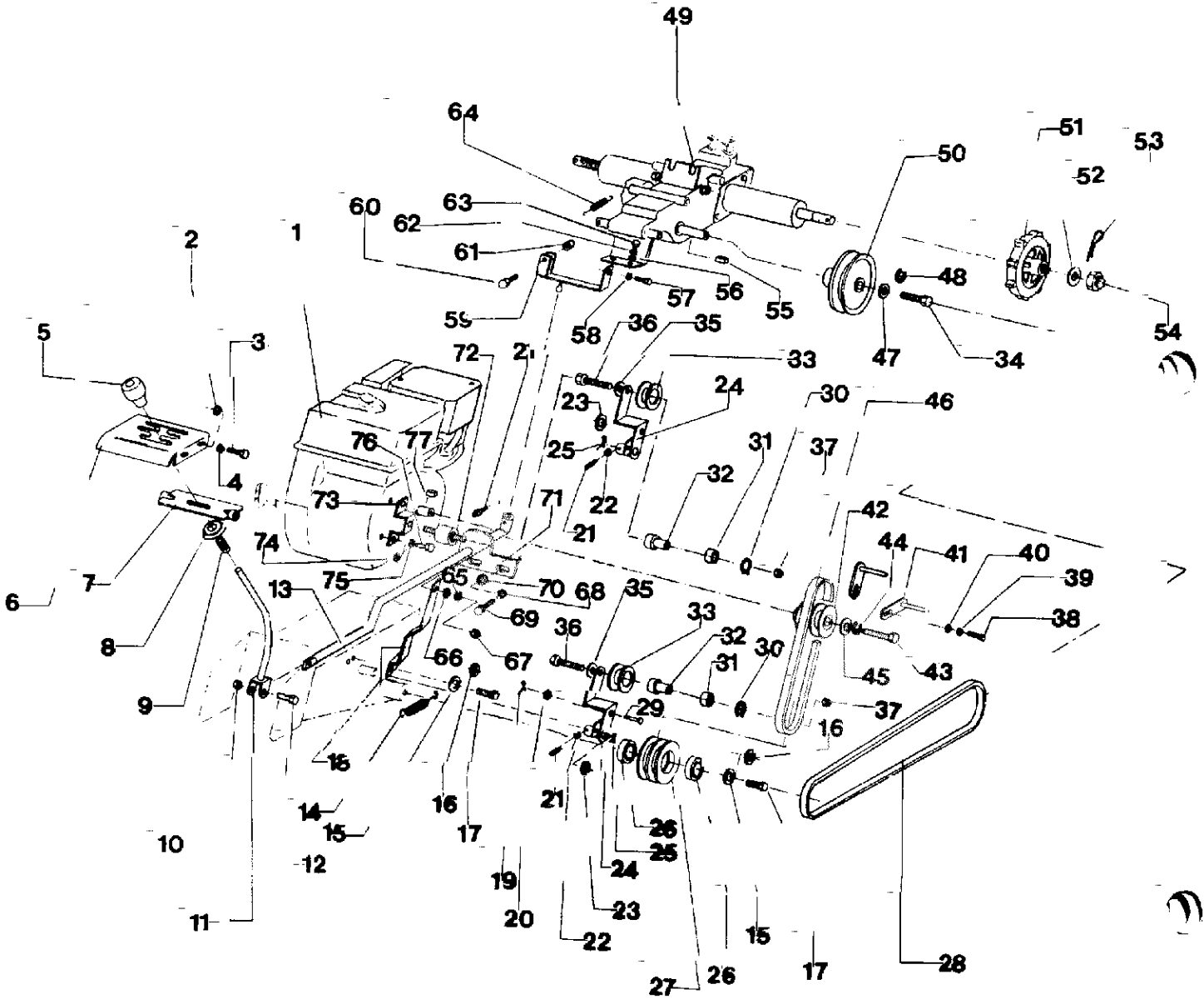
REF. N°	PART. N°	QTY	DESCRIZIONE	DESCRIPTION	DESCRIPTION	BESCHREIBUNG
1	P5100004	1	TUBO FLESSIB. LUNGO COMPL. X CENTRALINA	LONG FLEX. CABLE FOR CONTROLLER	CÂBLE FLEX. LONG POUR DISTRIBUTEUR	KABEL FÜR STEUERGEHÄUSE
2	P5100003	1	TUBO FLESSIB. CORTO COMPL. X CENTRALINA	SHORT FLEX. CABLE FOR CONTROLLER	CÂBLE FLEX. COURT POUR DISTRIBUTEUR	KABEL FÜR STEUERGEHÄUSE
3	P1010257	3	BULLONE	BOLT	BOULON	BOLZEN
4	P1020132	6	RONDELLA	WASHER	RONDELLE	SCHIBE
5	P1010258	1	CURVA DI RACCORDO	BENT CABLE SECTION	COURBE DE RACCORDEMENT	VERBINDUNGSKURVE
6	P1060016	2	COPIGLIA	COTTER PIN	GOUPILLE	STIFT
7	P5100002	1	CILINDRO OLEODINAMICO	LIFT CYLINDER	CYLINDRE DE RELEVAGE	AUSHEBEZYLINDER
8	P3040369ZT	1	SPINOTTO CORTO	SHORT PIN	GOUPILLE COURTE	STIFT
9	P1020121	2	RONDELLA	WASHER	RONDELLE	SCHIBE
10	P1010234	3	VITE	SCREW	VIS	SCHRAUBE
11	1020007A1	1	RONDELLA	WASHER	RONDELLE	SCHIBE
12	P4010320VE	1	CARTER INTERNO CINGHIA	BELT COVER	COUVERCLE DE COURROIE	KEILRIEMEN
13	P4010319VE	1	CARTER ESTERNO CINGHIA	BELT COVER	COUVERCLE DE COURROIE	KEILRIEMEN
14	P3040370ZT	1	SPINOTTO LUNGO	LONG PIN	GOUPILLE LONGUE	STIFT
15	P1010152	2	VITE	SCREW	VIS	SCHRAUBE
16	P1010239	2	VITE	SCREW	VIS	SCHRAUBE
17	P1010156	2	VITE	SCREW	VIS	SCHRAUBE
18	P1020117	2	RONDELLA ELASTICA	SPRING WASHER	RONDELLE	SCHIBE
19	1020014A1	2	RONDELLA	WASHER	RONDELLE	SCHIBE
20	P1020128	2	RONDELLA ELASTICA	SPRING WASHER	RONDELLE	SCHIBE
21	P1020095	2	RONDELLA	WASHER	RONDELLE	SCHIBE
22	P3060076VE	1	SUPPORTO POMPA	PUMP SUPPORT	SUPPORT	HALTER
23	P1090011	1	LINGUETTA	TAB	LANGUETTE	FEDER
24	P3040372	1	PULEGGIA POMPA	PUMP PULLEY	POULIE	RIEMENSCHIBE
25	P1010008	1	DADO	NUT	ÉCROU	MUTTER
26	P3010013	1	CINGHIA	BELT	COURROIE	RIEMEN
27	P5100001	1	CENTRALINA	CONTROLLER	DISTRIBUTEUR	STEUERGEHÄUSE
28	1010018A1	1	VITE	SCREW	VIS	SCHRAUBE
29	1020008A1	1	RONDELLA ELASTICA	SPRING WASHER	RONDELLE	SCHIBE
30	P3060112R1	1	ASSIEME CASSONE DUMPER	HYDRO DUMPER ASS.Y	BENNE HYDRAULIQUE COMPL.	HYDRAULISCHE DUMPER- PRITSCHEN KOMP.
*	P5160012	1	KIT SOLLEVAMENTO IDRAULICO DUMPER	HYDRAULIC DUMPER LIFT KIT	KIT DE RELEVAGE BENNE HYDRAULIQUE	KIT FÜR HYDRAULISCHE DUMPER-PRITSCHEN

Stegola e comandi  
Handle and controls  
Guidon et éléments de commande  
Führungsholm und Bedienungselemente



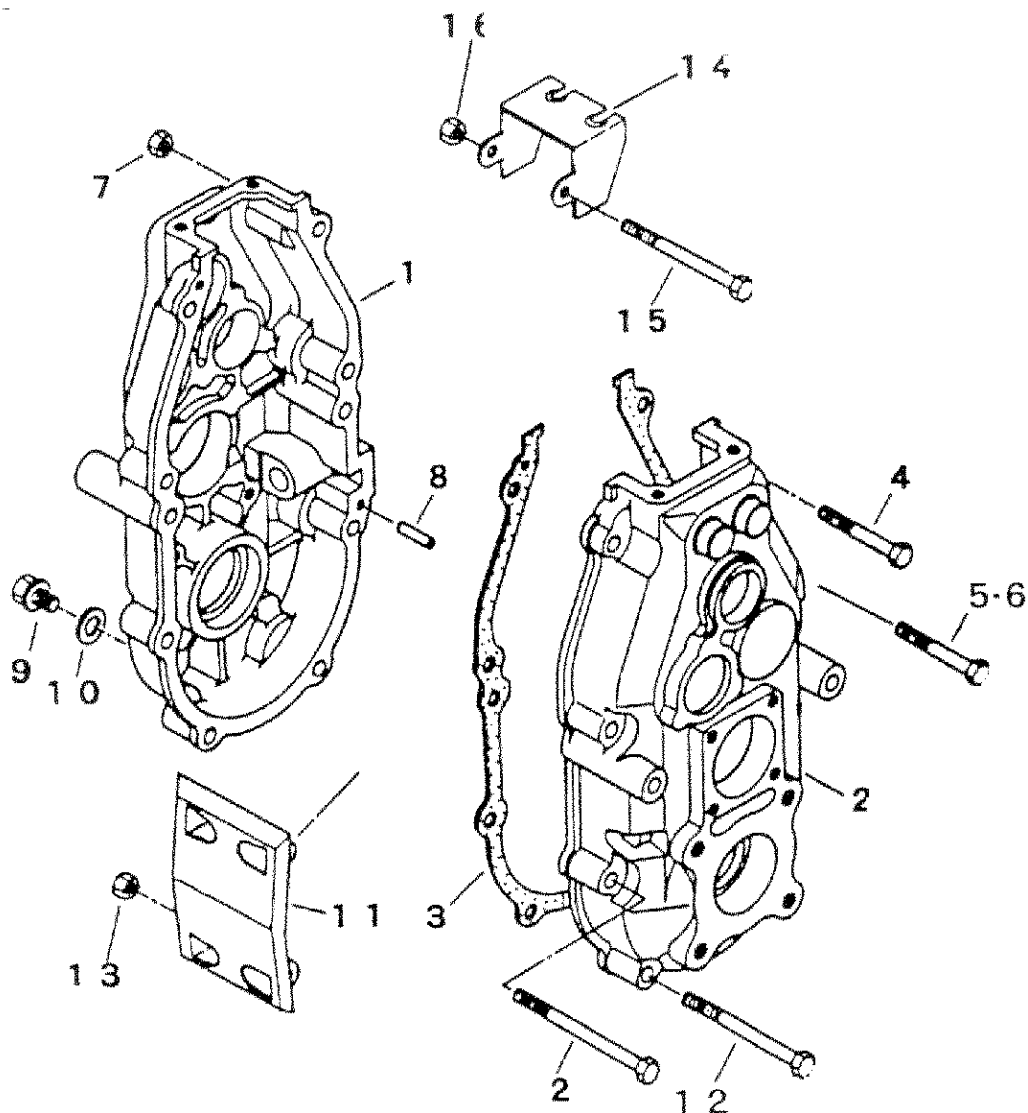
REF. N°	PART. N°	QTY	DESCRIZIONE	DESCRIPTION	DESCRIPTION	BESCHREIBUNG
	P3120121VE	1	STEGOLA	HANDLEBAR	GUIDON	FÜHRUNGSHOLM
2	P5060017	2	MANOPOLA	GRIP	POIGNÉE	KNOPF
3	1050003A1	2	DADO	NUT	ÉCROU	MUTTER
4	P1010066	2	VITE	SCREW	VIS	SCHRAUBE
5	1020013A1	2	RONDELLA	WASHER	RONDELLE	SCHEIBE
6	P3120132VE	2	TIRANTE STEGOLA	HANDLE TIE ROD	TIRANT	SPANNSTAGE
	1020013A1	2	RONDELLA	WASHER	RONDELLE	SCHEIBE
8	P1010066	2	VITE	SCREW	VIS	SCHRAUBE
9	1050003A1	2	DADO	NUT	ÉCROU	MUTTER
10	P5060016	2	LEVA DI STERZATA	STEERING LEVER	LEVIER DE DIRECTION	HEBEL
11	P5080027	1	LEVA GAS	THROTTLE LEVER	LEVIER DE GAZ	GASHEBEL
12	P5080013	1	INTERRUTTORE STOP	STOP SWITCH	INTERRUPTEUR DE STOP	STOPSCHALTER
13	P5010072	2	CAVO DI STERZATA	STEERING CABLE	CÂBLE DE DIRECTION	KABEL
14	1050003A1	1	DADO	NUT	ÉCROU	MUTTER
15	P4010308VE	1	CARTER STEGOLA	PANEL	PANNEAU	TAFEL
16	P1010048	2	VITE	SCREW	VIS	SCHRAUBE
17	1050003A1	1	DADO	NUT	ÉCROU	MUTTER
18	1020013A1	1	RONDELLA	WASHER	RONDELLE	SCHEIBE
19	P1060011	2	COPIGLIA	COTTER PIN	GOUPILLE	STIFT
20	P5010074	1	CAVO FRIZIONE	CLUTCH CABLE	CÂBLE D'EMBRAYAGE	KABEL
21	P3040342ZT	1	PERNO	PIN	GOUPILLE	STIFT
22	P3060078PL	1	LEVA FRENO FRIZIONE	BRAKE LEVER	LEVIER DU FREIN	HEBEL
23	P5010073	1	CAVO FRENO	BRAKE CABLE	CÂBLE DU FREIN	KABEL
24	P3020041ZT	1	MOLLA DI CONTRASTO	SPRING	RESSORT	FEDER
25	P1020095ZT	2	RONDELLA	WASHER	RONDELLE	SCHEIBE

Trasmissione (IBT-500, IBT-500D)  
Gear box (IBT-500, IBT-500D)  
Transmission (IBT-500, IBT-500D)  
Getriebe (IBT-500, IBT-500D)



REF. N°	PART. N°	QTY	DESCRIZIONE	DESCRIPTION	DESCRIPTION	BESCHREIBUNG
2	1020013A1	4	MOTORE	ENGINE	MOTEUR	MOTOR
3	P1010066	4	RONDELLA	WASHER	RONDELLE	SCHEIBE
4	1020008A1	4	VITE	SCREW	VIS	SCHRAUBE
5	P5060015	1	RONDELLA ELASTICA	SPRING WASHER	RONDELLE	SCHEIBE
6	P4010259VE	1	PIOMELLO	KNOB	POIGNÉE	KNOPF
7	P3060061ZT	1	CARTER GUIDA MARCE	COVER	COUVERCLE	DECKEL
8	P3040340ZT	1	PIASTRA GUIDA	SHIFT GUIDE PLATE	PLAQUE	PLATTE
9	P3020040ZT	1	RONDELLA SFERICA	WASHER	RONDELLE	SCHEIBE
10	1050003A1	1	MOLLA PER LEVA CAMBIO	SPRING	RESSORT	FEDER
11	P3060071ZT	1	DADO	NUT	ÉCROU	MUTTER
12	P1010068	1	LEVA CAMBIO	SHIFT LEVER	LEVIER DE VITESSE	GANGSCHALTUNGSHEBEL
13	P3060072ZT	1	VITE	SCREW	VIS	SCHRAUBE
14	P3020039ZT	1	ASTA COMANDO CAMBIO	SHIFT CONTROL ROD	TIGE	STANGE
15	1020014A1	2	MOLLA TENDITORE	SPRING	RESSORT	FEDER
16	P1020117	2	RONDELLA	WASHER	RONDELLE	SCHEIBE
17	P1010156	2	RONDELLA ELASTICA	SPRING WASHER	RONDELLE	SCHEIBE
18	P4010252ZT	1	VITE	SCREW	VIS	SCHRAUBE
19	P1060011	1	PIASTRA LATERALE	SIDE COVER	COUVERCLE LAT.	DECKEL
20	1020013A1	1	COPIGLIA	COTTER PIN	GOUPILLE	STIFT
21	P1010143	1	RONDELLA	WASHER	RONDELLE	SCHEIBE
22	1020013A1	2	INGRASSATORE	GREASER	GRAISSEUR	SCHMIERER
23	P1020121	2	RONDELLA	WASHER	RONDELLE	SCHEIBE
24	P3060065ZT	2	RONDELLA	WASHER	RONDELLE	SCHEIBE
25	P1060016	2	TENDICINGHIA	BELT TENSIONER	TENDEUR DE COURROIE	RIEMENSPELLER
26	P3030029	2	COPIGLIA	COTTER PIN	GOUPILLE	STIFT
27	P30400345ZT	1	CUSCINETTO	BEARING	PALIER	LAGER
28	P3010032	1	PULEGGIA DI RINVIO	SNUB PULLEY	POULIE	RIEMENSCHLEIBE
29	P3040349ZT	1	CINGHIA PULEGGIA	PULLEY BELT	COURROIE	RIEMEN
30	P1070014	2	PERNO PER TENDICINGHIA	PIN	GOUPILLE	STIFT
31	P3030026	2	SEEGER	CIRCLIP	SEEGER	SEEGER
32	P3040344BR	2	CUSCINETTO	BEARING	PALIER	LAGER
33	P3040339BR	2	BUSSOLA PER PULEGGIA	BUSHING	DOUILLE	SCHEIBE
34	P1010066	1	PULEGGIA TENDICINGHIA	BELT TENSIONER PULLEY	POULIE	RIEMENSCHLEIBE
35	P1020095ZT	2	VITE	SCREW	VIS	SCHRAUBE
36	P1010219	2	RONDELLA	WASHER	RONDELLE	SCHEIBE
37	P1050010	2	VITE	SCREW	VIS	SCHRAUBE
38	1010003A1	2	DADO	NUT	ÉCROU	MUTTER
39	P1020117	2	VITE	SCREW	VIS	SCHRAUBE
40	1020014A1	2	RONDELLA ELASTICA	SPRING WASHER	RONDELLE	SCHEIBE
41	P4010300ZT	2	RONDELLA	WASHER	RONDELLE	SCHEIBE
42	P3040346ZT	1	GUIDA CINGHIA	BELT GUIDE	GUIDE DE COURROIE	FÜHRUNG
43	P1010227	1	PULEGGIA MOTRICE	DRIVE PULLEY	POULIE	LAGER
44	P1020117	1	VITE	SCREW	VIS	SCHRAUBE
45	1020009A1	1	RONDELLA ELASTICA	SPRING WASHER	RONDELLE	SCHEIBE
46	P3010031	1	RONDELLA	WASHER	RONDELLE	SCHEIBE
47	1020013A1	1	CINGHIA PULEGGIA	PULLEY BELT	COURROIE	RIEMEN
48	1020008A1	1	RONDELLA	WASHER	RONDELLE	SCHEIBE
49	P2090004	1	RONDELLA ELASTICA	SPRING WASHER	RONDELLE	SCHEIBE
50	P3040347ZT	1	CAMBIO COMPLETO	GEAR BOX ASS.Y	TRANSMISSION COMPL.	GETRIEBE KOMP.
51	P3050053BR	2	PULEGGIA CONDOTTA	DRIVEN PULLEY	POULIE	LAGER
52	P1020122	2	RUOTA TRASMISSIONE	TRANSMISSION WHEEL	ROUE DE TRANSMISSION	RAD
53	P1060016	2	RONDELLA	WASHER	RONDELLE	SCHEIBE
54	P1050028	2	COPIGLIA	COTTER PIN	GOUPILLE	STIFT
55	P1090008	1	DADO	NUT	ÉCROU	MUTTER
56	1020014A1	2	CHIAVETTA CAMBIO	SHIFT KEY	LANGUETTE	FEDER
57	P1010156	2	RONDELLA	WASHER	RONDELLE	SCHEIBE
58	P1020117	2	VITE	SCREW	VIS	SCHRAUBE
59	P3060062ZT	1	RONDELLA ELASTICA	SPRING WASHER	RONDELLE	SCHEIBE
60	P1010068	1	LEVA SNODO	BRACKET	ENTRIER	BÜGEL
61	P1050014	1	VITE	SCREW	VIS	SCHRAUBE
62	P1020117	1	DADO	NUT	ÉCROU	MUTTER
63	P1010156	1	RONDELLA ELASTICA	SPRING WASHER	RONDELLE	SCHEIBE
64	P3020038ZT	1	VITE	SCREW	VIS	SCHRAUBE
65	P1020117	1	MOLLA	SPRING	RESSORT	FEDER
66	1020014A1	1	RONDELLA ELASTICA	SPRING WASHER	RONDELLE	SCHEIBE
67	P1010008	1	RONDELLA	WASHER	RONDELLE	SCHEIBE
68	P1020117	2	DADO	NUT	ÉCROU	MUTTER
69	P1010156	2	RONDELLA ELASTICA	SPRING WASHER	RONDELLE	SCHEIBE
70	1020014A1	2	VITE	SCREW	VIS	SCHRAUBE
71	P4010275ZT	1	RONDELLA	WASHER	RONDELLE	SCHEIBE
72	P3170025	1	PIASTRA REGISTRO	PLATE	PLAQUE	PLATTE
73	P3060060ZT	1	ANTIVIBRANTE PER MOTORE	SILENT BLOCK	SILENT BLOCK	SILENT BLOCK
74	1020014A1	2	SUPPORTO LATERALE COMPL.	SIDE SUPPORT ASS.Y	SUPPORT	HALTER
75	P1020117	2	RONDELLA	WASHER	RONDELLE	SCHEIBE
76	1010003A1	2	RONDELLA ELASTICA	SPRING WASHER	RONDELLE	SCHEIBE
77	P1090007	2	VITE	SCREW	VIS	SCHRAUBE
			CHIAVETTA MOTORE	ENGINE KEY	CLAVETTE MOTEUR	SCHEIBENFEDER

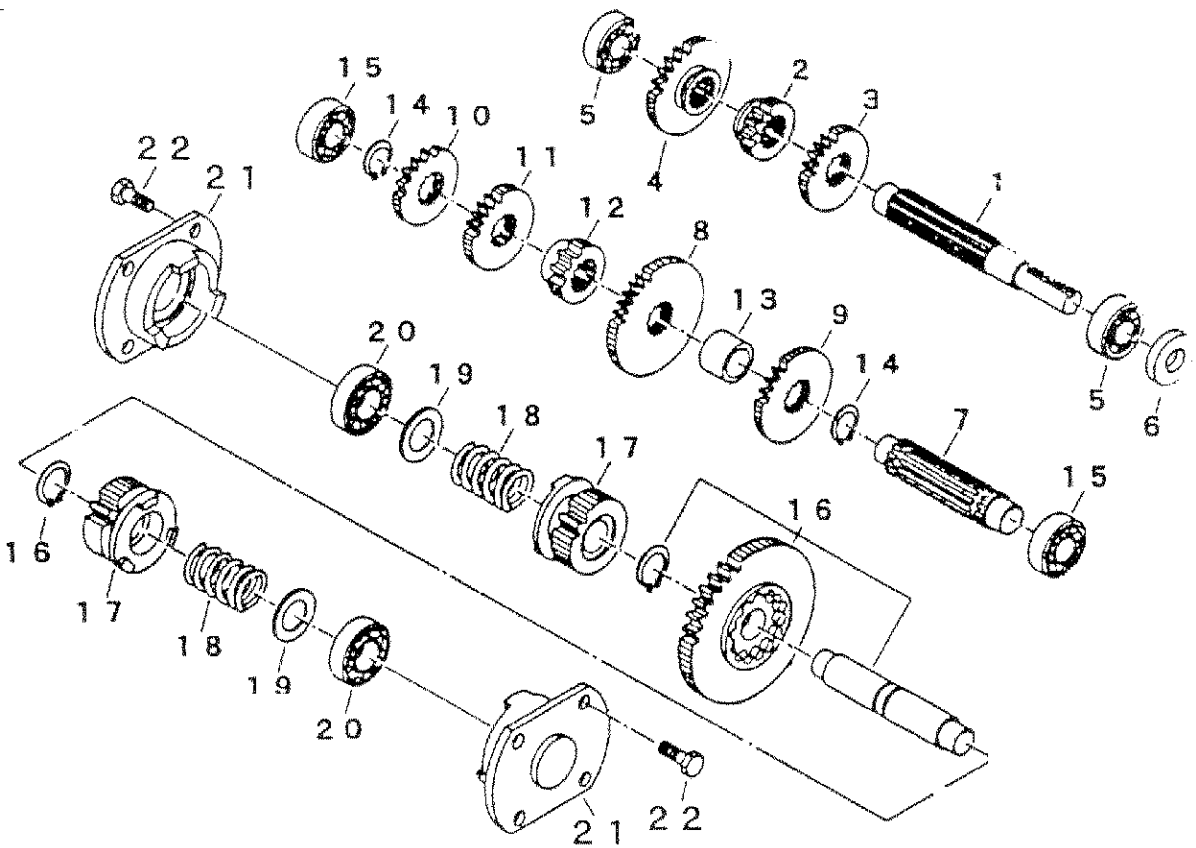
Trasmissione  
Gear box  
Transmission  
Getriebe



REF. N°	PART. N°	QTY	DESCRIZIONE	DESCRIPTION	DESCRIPTION	BESCHREIBUNG	N.B.*
1	CH-73061001100	1	SEMICASSA	CASE	BOÎTIER	GEHÄUSE	No. 7468 -
1	CH-73061001021	1	SEMICASSA	CASE	BOÎTIER	GEHÄUSE	No. - 7467
2	CH-73061004100	1	SEMICASSA	CASE	BOÎTIER	GEHÄUSE	No. 7468 -
2	CH-73061004021	1	SEMICASSA	CASE	BOÎTIER	GEHÄUSE	No. - 7467
3	CH-73061007100	1	GUARNIZIONE	GASKET	JOINT	DICHTUNG	No. 7468 -
3	CH-73061007011	1	GUARNIZIONE	GASKET	JOINT	DICHTUNG	No. - 7467
4	CH-K8140108040	2	BULLONE	BOLT	BOULON	BOLZEN	
5	CH-K8140108070	2	BULLONE	BOLT	BOULON	BOLZEN	No. 7468 -
6	CH-K8140108100	1	BULLONE	BOLT	BOULON	BOLZEN	No. - 7467
7	CH-F3010108000	5	DADO	NUT	ÉCROU	MUTTER	
8	CH-05401008018	2	SPINA	PIN	CHEVILLE	STIFT	
9	CH-K8120110012	1	BULLONE	BOLT	BOULON	BOLZEN	
9	CH-73061009000	1	TAPPO	PLUG	BOUCHON	VERSCHLUSSZAPFEN	
10	CH-08330001000	1	RANELLA	WASHER	RONDELLE	SCHEIBE	No. 7468 -
10	CH-08330001200	1	RANELLA	WASHER	RONDELLE	SCHEIBE	No. - 7467
11	CH-73061015010	1	PIASTRA	PLATE	COUVERCLE	DECKEL	
12	CH-K8140108080	2	BULLONE	BOLT	BOULON	BOLZEN	
13	CH-F3010108000	2	DADO	NUT	ÉCROU	MUTTER	
14	CH-73061018100	1	STAFFA	BRACKET	ENTRIER	BÜGEL	No. 7468 -
14	CH-73061018021	1	STAFFA	BRACKET	ENTRIER	BÜGEL	No. - 7467
15	CH-K8140108100	1	BULLONE	BOLT	BOULON	BOLZEN	
15	CH-K8140108080	1	BULLONE	BOLT	BOULON	BOLZEN	
16	CH-F3010108000	1	DADO	NUT	ÉCROU	MUTTER	

N.B.\*: No. 7468 - = No. serie da 7468/Serial no. from 7468/No. de série de 7468/Seriennummer von 7468  
No. - 7467 = No. serie fino a 7467/Serial no. up to 7467/No. de série jusqu'à 7467/Seriennummer bis 7467

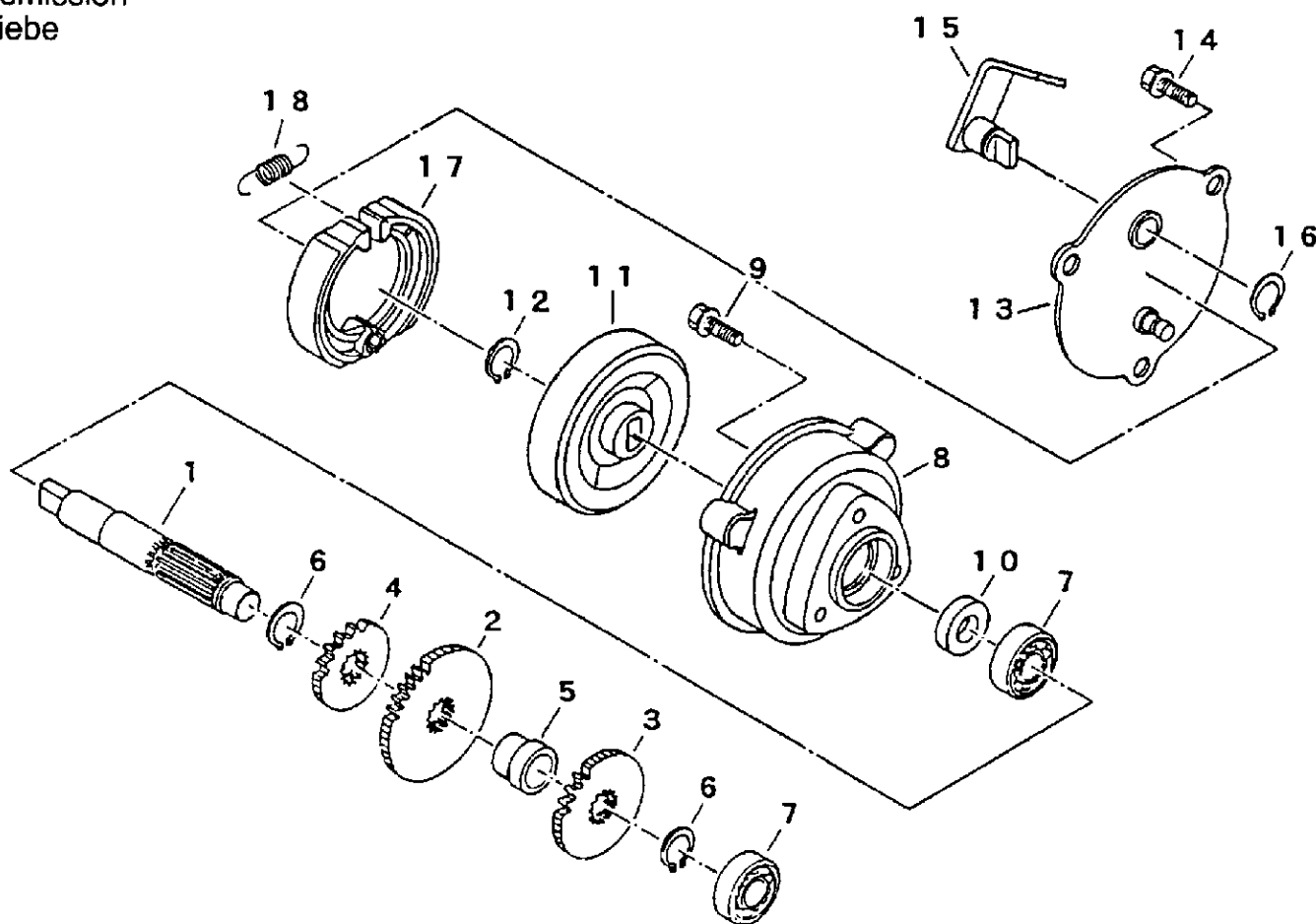
Trasmissione  
Gear box  
Transmission  
Getriebe



REF. N°	PART. N°	QTY	DESCRIZIONE	DESCRIPTION	DESCRIPTION	BESCHREIBUNG	N.B.*
1	CH-73062001000	1	ALBERO	SHAFT	ARBRE	WELLE	
2	CH-73062004000	1	INGRANAGGIO	GEAR	ENGRANAGE	STIRNRAD	
3	CH-73062005000	1	INGRANAGGIO	GEAR	ENGRANAGE	STIRNRAD	
4	CH-73062006000	1	INGRANAGGIO	GEAR	ENGRANAGE	STIRNRAD	
5	CH-07500062030	2	CUSCINETTO	BEARING	ROULEMENT	LAGER	
6	CH-08401017357	1	PARAOGLIO	SEAL	JOINT	WELLENDICHTRING	
7	CH-73062201000	1	ALBERO	SHAFT	ARBRE	WELLE	
8	CH-73062104000	1	INGRANAGGIO	GEAR	ENGRANAGE	STIRNRAD	
9	CH-73062105000	1	INGRANAGGIO	GEAR	ENGRANAGE	STIRNRAD	
10	CH-73062204000	1	INGRANAGGIO	GEAR	ENGRANAGE	STIRNRAD	
11	CH-73062205000	1	INGRANAGGIO	GEAR	ENGRANAGE	STIRNRAD	
12	CH-73062206010	1	INGRANAGGIO	GEAR	ENGRANAGE	STIRNRAD	
13	CH-73062208000	1	DISTANZIALE	SPACER	DOUILLE	DISTANZBÜCHSE	
14	CH-07400002000	2	SEGER	CIRCLIP	SEGER	SEGER	
15	CH-07500062030	2	CUSCINETTO	BEARING	ROULEMENT	LAGER	
16	CH-73062301001	1	INGRANAGGIO	GEAR	ENGRANAGE	STIRNRAD	
17	CH-73062309000	2	INGRANAGGIO	GEAR	ENGRANAGE	STIRNRAD	
18	CH-73062306000	2	MOLLA	SPRING	RESSORT	FEDER	
19	CH-73062307000	2	SPESSORE	SHIM	RONDELLE	SCHEIBE	
20	CH-07500060040	2	CUSCINETTO	BEARING	ROULEMENT	LAGER	
21	CH-73062311012	2	SUPPORTO	SUPPORT	SUPPORT	HALTER	
22	CH-K7100108020	8	BULLONE	BOLT	BOULON	BOLZEN	
22	CH-K7100608020	8	BULLONE	BOLT	BOULON	BOLZEN	No. 7468- No. - 7467

N.B.\*: **No. 7468** - = No. serie da 7468/Serial no. from 7468/No. de série de 7468/Seriennummer von 7468  
**No. - 7467** = No. serie fino a 7467/Serial no. up to 7467/No. de série jusqu'à 7467/Seriennummer bis 7467

Trasmissione  
Gear box  
Transmission  
Getriebe

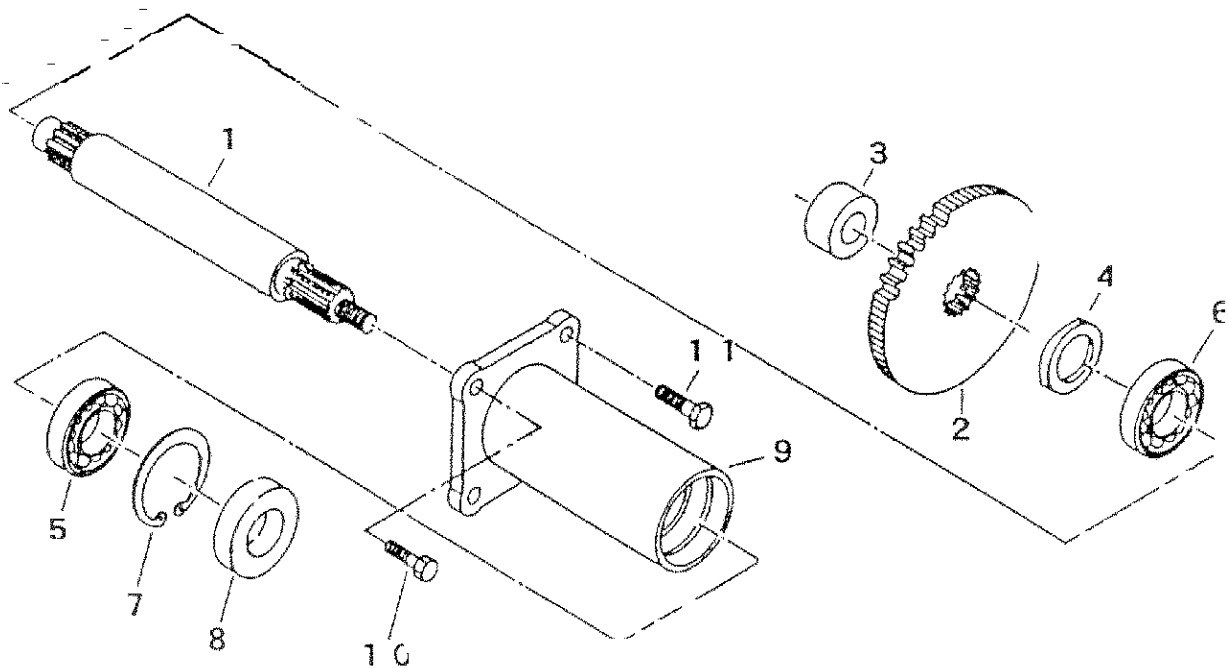


REF. N°	PART. N°	QTY	DESCRIZIONE	DESCRIPTION	DESCRIPTION	BESCHREIBUNG	N.B.¹
1	CH-73062101011	1	ALBERO	SHAFT	ARBRE	WELLE	
2	CH-73062104000	1	INGRANAGGIO	GEAR	ENGRANAGE	STIRNRAD	
3	CH-73062105000	1	INGRANAGGIO	GEAR	ENGRANAGE	STIRNRAD	
4	CH-73062106000	1	INGRANAGGIO	GEAR	ENGRANAGE	STIRNRAD	
5	CH-73062108000	1	BUSSOLA	BUSHING	DOUILLE	DISTANZBÜCHSE	
6	CH-07400002000	2	SEGER	CIRCLIP	SEEGER	SEEGER	
7	CH-075000062030	2	CUSCINETTO	BEARING	ROULEMENT	LAGER	
8	CH-73064001100	1	CASSA	CASE	BÔTIER	GEHÄUSE	No. 7468-
8	CH-73064001000	1	CASSA	CASE	BÔTIER	GEHÄUSE	No. - 746-
9	CH-K8140108025	3	BULLONE	BOLT	BOULON	BOLZEN	No. 7468-
9	CH-A5440606025	3	BULLONE	BOLT	BOULON	BOLZEN	No. - 746-
10	CH-08401017328	1	PARAOILIO	SEAL	JOINT	WELLENDICHTRING	
11	CH-73064005011	1	TAMBURO	DRUM	MOYEU	FAHRRADNABE	
12	CH-07400001600	2	SEGER	RING	SEEGER	SEEGER	
13	CH-73064009000	1	PIASTRA	PLATE	COUVERCLE	DECKEL	
14	CH-73064025000	3	BULLONE	BOLT	BOULON	BOLZEN	No. 7468-
14	CH-K7100108016	3	BULLONE	BOLT	BOULON	BOLZEN	No. - 746-
15	CH-73064013100	1	LEVA	LEVER	LEVIER	HEBEL	
16	CH-07400001400	1	SEGER	RING	SEEGER	SEEGER	
17	CH-73064019000	2	GANASCIA	SHOE	MÂCHOIRE	BREMSBACKE	
18	CH-73064021000	1	MOLLA	SPRING	RESSORT	FEDER	

N.B.\*: **No. 7468** - = No. serie da 7468/Serial no. from 7468/No. de série de 7468/Seriennummer von 7468  
**No. - 7467** = No. serie fino a 7467/Serial no. up to 7467/No. de série jusqu'à 7467/Seriennummer bis 7467



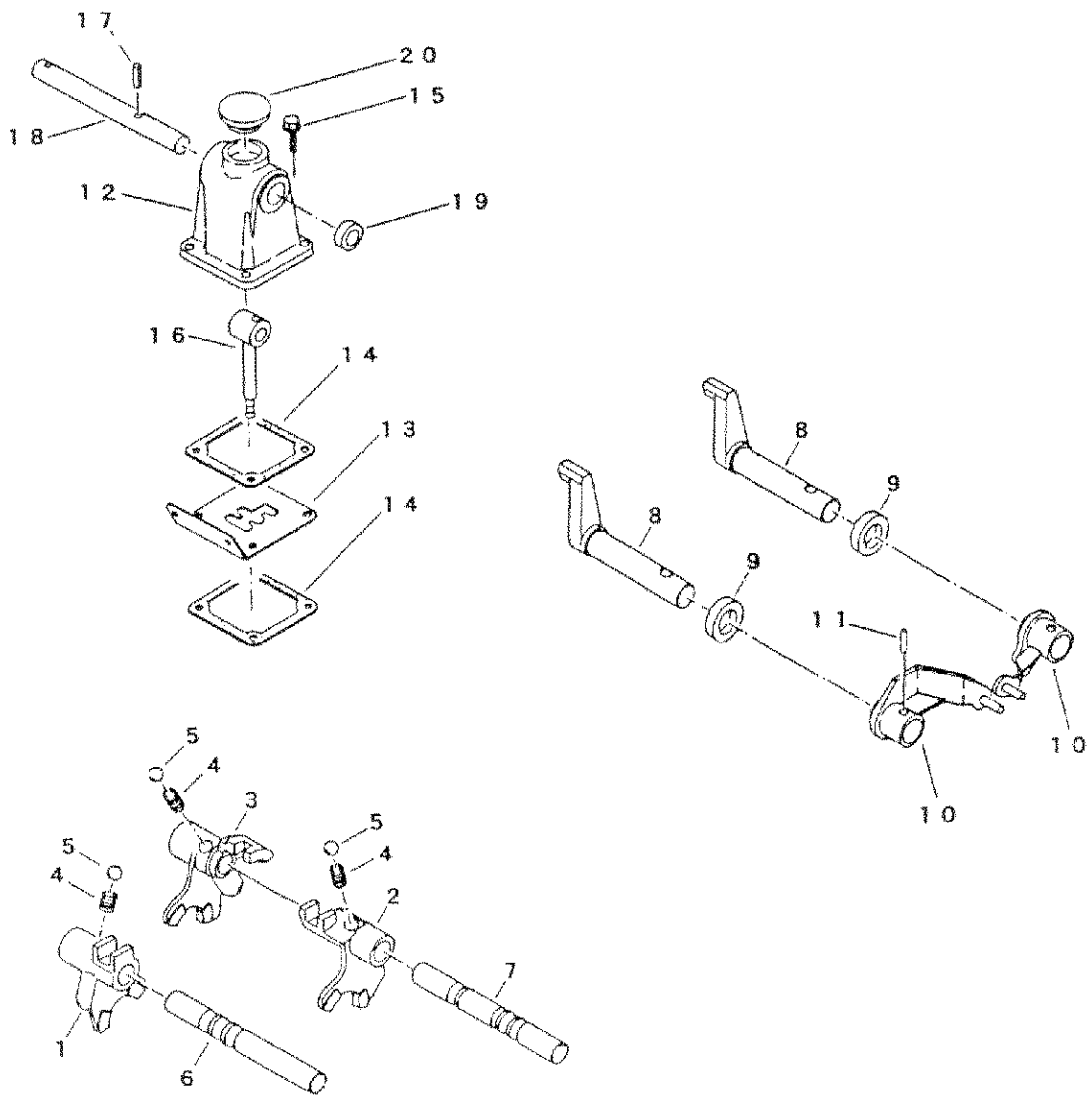
Trasmissione  
Gear box  
Transmission  
Getriebe



REF. N°	PART. N°	QTY	DESCRIZIONE	DESCRIPTION	DESCRIPTION	BESCHREIBUNG	N.B.*
1	CH-73062602001	1	ALBERO	SHAFT	ARBRE	WELLE	No. 7468-
1	CH-73062602000	1	ALBERO	SHAFT	ARBRE	WELLE	No. -7467
1	CH-73062403001	1	ALBERO	SHAFT	ARBRE	WELLE	No. 7468-
1	CH-73062403000	1	ALBERO	SHAFT	ARBRE	WELLE	No. -7467
2	CH-73062405000	2	INGRANAGGIO	GEAR	ENGRANAGE	STIRNRAD	
3	CH-73062406000	1	BUSSOLA	BUSHING	DOUILLE	BÜCHSE	
4	CH-73062407000	2	SPESSORE	SHIM	RONDELLE	SCHEIBE	No. 7468-
4	CH-73012407000	2	SPESSORE	SHIM	RONDELLE	SCHEIBE	No. -7467
5	CH-07500062060	2	CUSCINETTO	BEARING	ROULEMENT	LAGER	No. 7468-
6	CH-07500060060	2	CUSCINETTO	BEARING	ROULEMENT	LAGER	No. -7467
7	CH-07410005500	2	SEGER	RING	SEEGER	SEEGER	
8	CH-73062408000	2	PARAOLIO	SEAL	JOINT	WELLENDICHRING	
9	CH-73062612000	2	TUBO	PIPE	TUBE	ROHR	
9	CH-73062413010	2	TUBO	PIPE	TUBE	ROHR	
10	CH-K7100110025	4	BULLONE	BOLT	BOULON	BOLZEN	
11	CH-K7100610025	4	BULLONE	BOLT	BOULON	BOLZEN	

N.B.\*: **No. 7468** - = No. serie da 7468/Serial no. from 7468/No. de série de 7468/Seriennummer von 7468  
**No. - 7467** = No. serie fino a 7467/Serial no. up to 7467/No. de série jusqu'à 7467/Seriennummer bis 7467

Trasmissione  
Gear box  
Transmission  
Getriebe



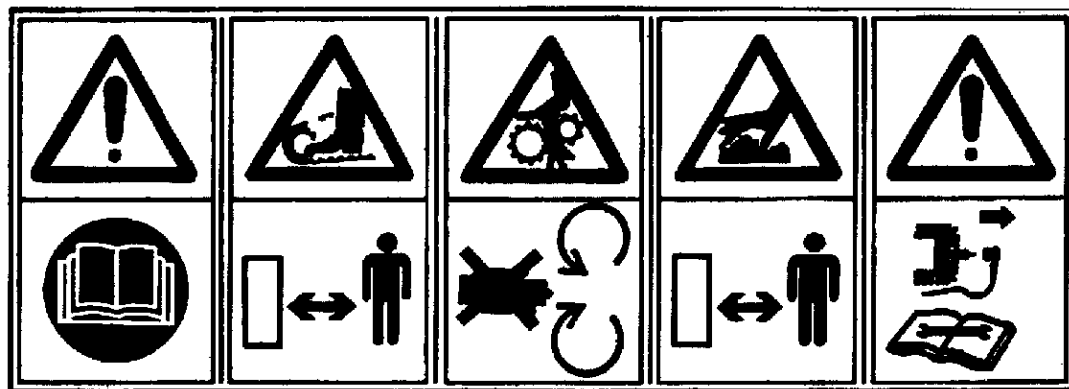
REF. N°	PART. N°	QTY	DESCRIZIONE	DESCRIPTION	DESCRIPTION	BESCHREIBUNG
1	CH-73063001000	1	FORCELLA	FORK	FOURCHE	SCHALTGABEL
2	CH-73063002000	1	FORCELLA	FORK	FOURCHE	SCHALTGABEL
3	CH-73063003000	1	FORCELLA	FORK	FOURCHE	SCHALTGABEL
4	CH-72023004000	3	MOLLA	SPRING	RESSORT	FEDER
5	CH-08000000800	3	SFERA	BALL	BILLE	KUGEL
6	CH-73063005000	1	ALBERO	ROD	TIGE	STANGE
7	CH-73063006000	1	ALBERO	ROD	TIGE	STANGE
8	CH-73063301000	2	ALBERO	ROD	TIGE	STANGE
9	CH-08401014246	2	PARAOLIO	SEAL	JOINT	WELLENDICHTRING
10	CH-73063305021	2	LEVA	ARM	BRAS	ARM
11	CH-05500006022	2	SPINA	PIN	GOUJON	BOLZEN
12	CH-72053101000	1	COPERCHIO	COVER	COUVERCLE	DECKEL
13	CH-73063222000	1	PIASTRA	PLATE	COUVERCLE	DECKEL
14	CH-73013102000	2	GUARNIZIONE	GASKET	JOINT	DICHTUNG
15	CH-K7100608020	4	BULLONE	BOLT	BOULON	BOLZEN
16	CH-73073104000	1	LEVA	ROD	TIGE	STANGE
17	CH-05500006022	1	SPINA	PIN	CHEVILLE	STIFT
18	CH-73063155000	1	ALBERO	ROD	TIGE	STANGE
19	CH-08401014246	2	PARAOLIO	SEAL	JOINT	WELLENDICHTRING
20	CH-74011004000	1	TAPPO	CAP	BOUCHON	VERSCHLUSSZAPPEN

N.B.\*: **No. 7468** - = No. serie da 7468/Serial no. from 7468/No. de série de 7468/Seriennummer von 7468  
**No. - 7467** = No. serie fino a 7467/Serial no. up to 7467/No. de série jusqu'à 7467/Seriennummer bis 7467

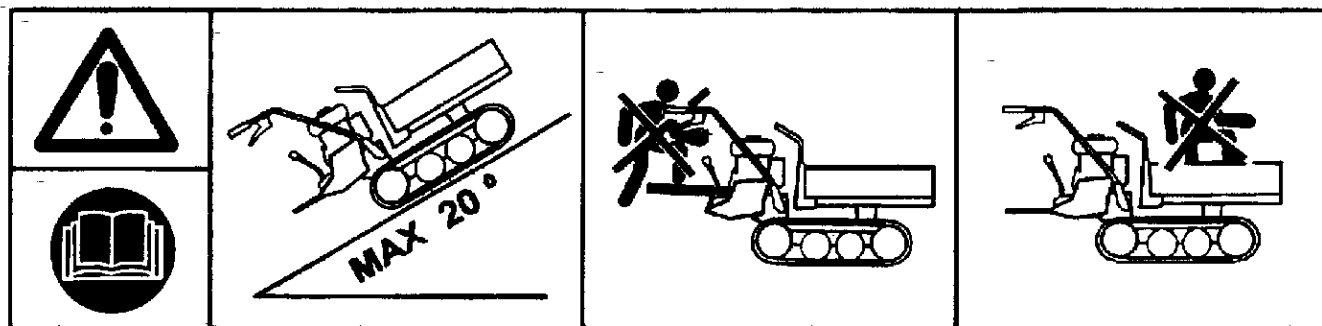
REF. N°	PART. N°	QTY	DESCRIZIONE	DESCRIPTION	DESCRIPTION	BESCHREIBUNG
1	P5140660	2	DECALCO SPONDA	SIDE PANEL DECAL	AUTOCOLLANT	AUFKLEBER
2	P5140662	1	PERICOLO	DANGER DECAL	AUTOCOLLANT	AUFKLEBER
3	P5140663	1	DIVIETO	PROHIBITION DECAL	AUTOCOLLANT	AUFKLEBER
4	P5140664	1	SGANCIO CASSONE	BED DECAL	AUTOCOLLANT	AUFKLEBER
5	P5140665	1	ATTENZIONE MARCE	ATTENTION DECAL	AUTOCOLLANT	AUFKLEBER
6	P5140656	1	MARCE	GEAR DECAL	AUTOCOLLANT	AUFKLEBER
7	P5140657	1	PANNELLO	PANEL DECAL	AUTOCOLLANT	AUFKLEBER
8	P5140659	1	PORTATA	LOAD DECAL	AUTOCOLLANT	AUFKLEBER
9	P5160011	1	BORSA DOTAZIONE	LOOSE PARTS	MATERIEL FOURNI	MITGELIEFERTES ZUBEHÖR
*	5040001A1	6	FASCETTE	CLAMP	COLLIER	RAPBAND
*	P5090234	1	MANUALE	MANUAL	MODE D'EMPLOI	BEDIENUNGSANLEITUNG

# MINI **TRANSPORTER** **IBEA** **IBT 500**

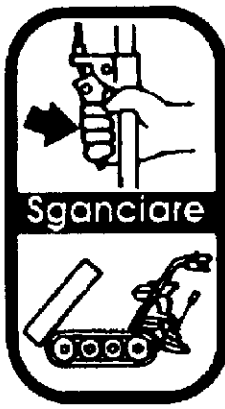
1



2



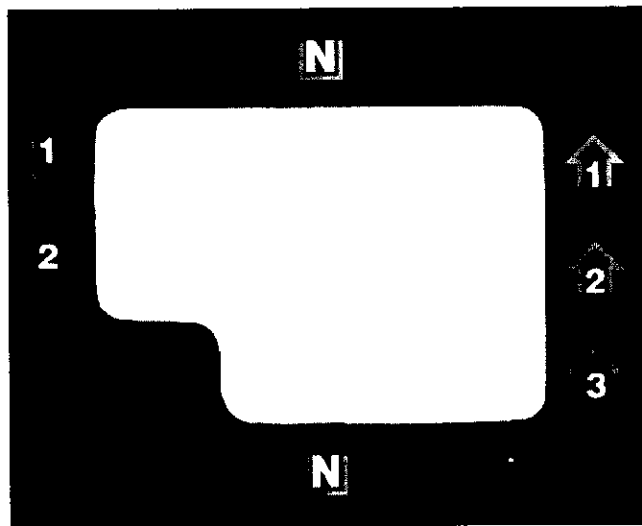
3



4

**ATTENZIONE!**

Non forzare le marce.  
In caso di resistenza  
inserire parzialmente la  
leva di trazione.



6

**500 KG**



7

Tav

Vista telaio

Frame

Châssis

Gestell

