

LISTA RICAMBI

SPARE PART LIST

ERSATZTEILLISTE

LISTE DES PIECES DE RECHANGE



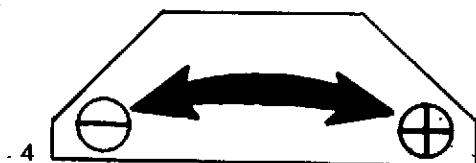
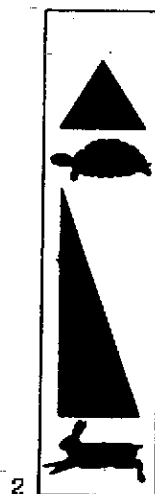
VERTICUT 400

4033

4034

4035

REF. N°	PART. N°	QTY	DESCRIZIONE	DESCRIPTION	DESCRIPTION	BESCHREIBUNG
1	PS140014	1	DECALCO	DECAL	MARQUAGE	AUFKLEBER
2	PS140013	1	DECALCO	DECAL	MARQUAGE	AUFKLEBER
3	PS140134	1	DECALCO	DECAL	MARQUAGE	AUFKLEBER
4	PS140135	1	DECALCO	DECAL	MARQUAGE	AUFKLEBER
5	PS140002	1	DECALCO	DECAL	MARQUAGE	AUFKLEBER
.	PS090062	1	MANUALE ISTRUZIONI	INSTRUCTION MANUAL	MODE D'EMPLOI	BEDIENUNGSANLEITUNG
.	PS110008	1	CHIAVE CANDELA 21	KEY 21	CLEF 21	SCHLUESSEL 21



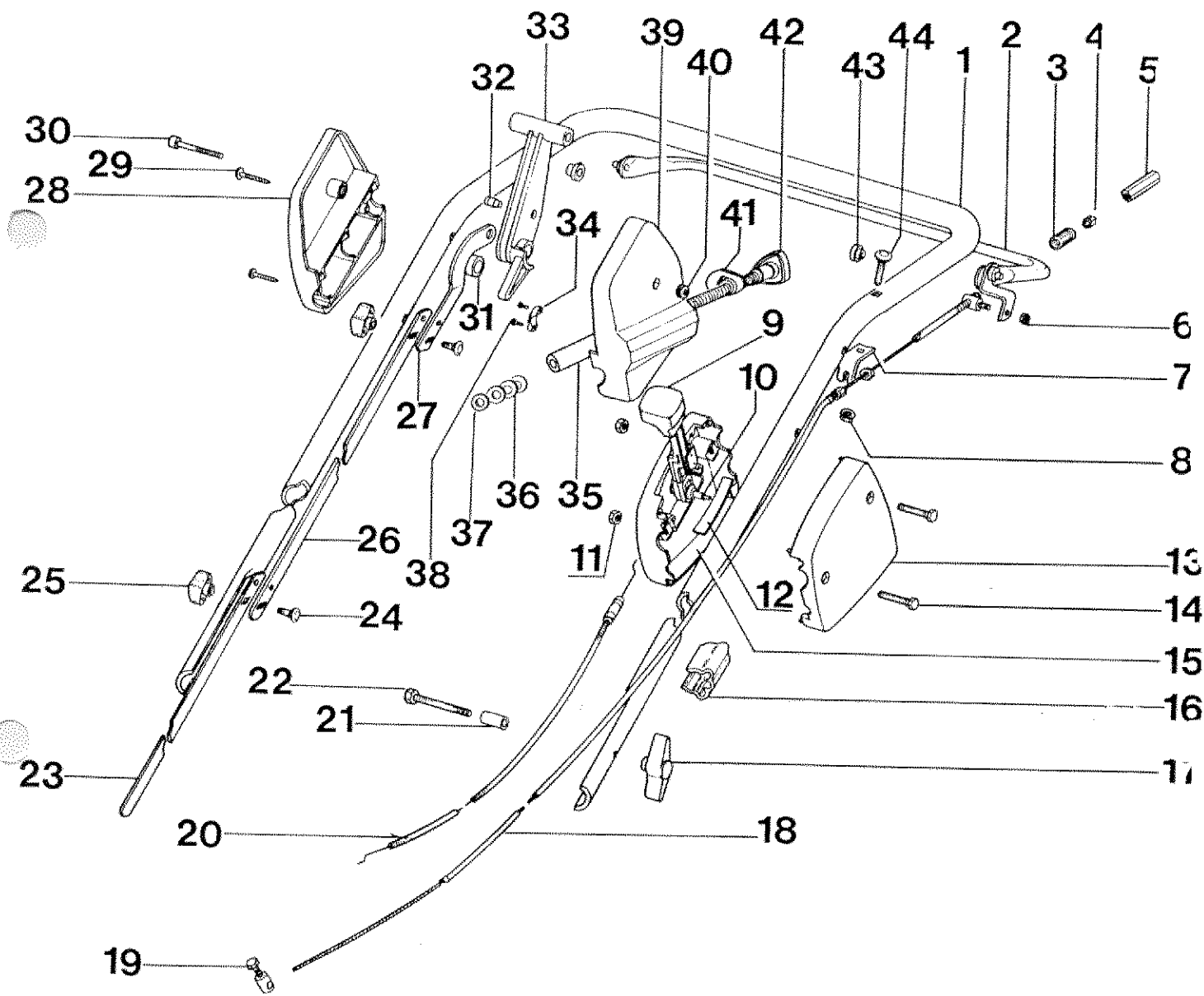
REF. N°	PART. N°	QTY	DESCRIZIONE	DESCRIPTION	DESCRIPTION	BESCHREIBUNG
1	P00011048	1	TELAIO	BAG FRAME	MONTURE	GESTELL
2	P3160023	1	SACCO	BAG	SAC RAMASSE GAZON	GRASFANGSACK
	4010	1	CESTELLO COMPL.	GRASS BAG COMPL.	SAC RAMASSE GAZON COMPL.	GRASFANGSACK KOMPL.
3		1	MOTORE	ENGINE	MOTEUR	MOTOR
4	P1050011	4	DADO	NUT	ECROU	MUTTER
5	1020014A1	4	RONDELLA	WASHER	RONDELLE	SCHIBE
6	P1010092	4	VITE	SCREW	VIS	SCHRAUBE
7	P02070248	1	STEGOLA INF.	LOWER HANDLEBAR	GUIDON INF.	HOLMUNTERTEIL
8	P3040186	1	PULEGGIA MOTRICE	PULLEY	POULIE	RIEMENSCHIBE
9	P1090007	1	LINGUETTA MOTORE	KEY	CLAVETTE	SCHIBENFEDER
10	P1050013	2	DADO	NUT	ECROU	MUTTER
11	P1010120	2	VITE	SCREW	VIS	SCHRAUBE
12	P2020145	1	PORTELLO	SHIELD	PROTECTION	KLAPPE
13	P3040159	1	TONDINO	ROD	TONDIN	SCHIBE
14	P3040160	1	ASTINA PORTELLO	SHAFT	ARBRE	SCHRAUBE
15	P1010141	1	VITE	SCREW	VIS	SCHRAUBE
16	1020009A1	1	RONDELLA	WASHER	RONDELLE	SCHIBE
17	P01087148	1	GUIDA CINGHIA	BELT GUIDE	GUIDE DE COURROIE	RIEMENFUHRER
18	P1050011	1	DADO	NUT	ECROU	MUTTER
19	P1010145	1	FERMO GUAINA	ROPE	GUIDE-FIL	SEILFUHRUNG
20	P1050016	1	DADO	NUT	ECROU	MUTTER
21	P1050011	1	DADO	NUT	ECROU	MUTTER
22	P1010147	1	VITE	SCREW	VIS	SCHRAUBE
23	P1010092	1	VITE	SCREW	VIS	SCHRAUBE
24	P02085148	1	CARTER COPRICINGHIA	BELT COVER	PROTECTION	ABDECKUNG
25	P3040187	1	BUSSOLA	BUSHING	DOUILLE	BUECHSE
26	P01042948	1	LEVA TENDICINGHIA	LEVER	LEVIER	HEBEL
27	1030002A1	2	BUSSOLA	BUSHING	DOUILLE	BUECHSE
	1020009A1	1	RONDELLA	WASHER	RONDELLE	SCHIBE
	P1050011	1	DADO	NUT	ECROU	MUTTER
30	P3030022	1	CUSCINETTO	BEARING	PALIER	LAGER
31	P3040188	1	PULEGGIA	PULLEY	POULIE	RIEMENSCHIBE
32	P1070010	1	SEEGER	CIRCLIP	SEEGER	SEEGER
33	P1050011	1	DADO	NUT	ECROU	MUTTER
34	P3010021	1	CINGHIA	BELT	COURROIE	RIEMEN
35	P02085348	1	COPERCHIO PER CARTER	BELT COVER	COUVERCLE	DECKEL
36	P1010049	4	VITE	SCREW	VIS	SCHRAUBE
37	P01031448	1	LAMIERINO	PLATE	TOLE	BLECH
38	P1010142	2	VITE	SCREW	VIS	SCHRAUBE
39	1050002A1	2	DADO	NUT	ECROU	MUTTER
40	P1130002	2	GRANO	DOWEL	VIS SANS TETE	GEWINDESTIFT
41	P3040185	1	PULEGGIA	PULLEY	POULIE	RIEMENSCHIBE
42	P2020062	4	COPRIMOZZO	COVER	COUVERCLE	DECKEL
43	1010018A1	4	VITE	SCREW	VIS	SCHRAUBE
44	1020007A1	4	RONDELLA	WASHER	RONDELLE	SCHIBE
45	P2020083	4	COPERTONE	TYRE	PNEU	REIFEN
46	P3030013	8	CUSCINETTO	BEARING	PALIER	LAGER
47	P2020084	4	CERCHIO	WHEEL HUB	JANTF	FELGE
48	P2020128	4	COPRI RUOTA	WHEEL COVER	PROTECTION	ABDECKUNG
49	P00015176	4	RUOTA COMPL.	WHEEL ASSY	ROUE COMPL.	RAD KOMPL.
50	P2020088	4	DISTANZIALE	SPACER	DOUILLE	ABSTANDSSTUECK
51	P1020050	4	RONDELLA	WASHER	RONDELLE	SCHIBE
52	P4080015	4	SUPPORTO ASSALE	SUPPORT AXLE	SUPPORT	HALTER
53	P1010066	8	VITE	SCREW	VIS	SCHRAUBE
54	P00030348	1	ASSALE ANT.	FRONT AXLE	ESSIEU ANT.	ACHSE
55	P3040165	3	PERNO	BOLT	BOULON	STIFT
	P1020071	6	SPESSORE	WASHER	RONDELLE	SCHIBE
	P1060011	3	COPIGLIA	COTTER PIN	RONDELLE	SCHIBE
	P02006348	1	SCOCCA	DECK	GOUPIILLE	SPLINT
59	P2020138	1	TARGHETTA	PLAQUE	CHASSIS	GEHAUSE
60	P02047248	1	BIELLA	CONNECTION ROD	PLAQUE	AUFKLEBER
61	P00030048	1	ASSALE POST. COMPL.	COMPLETE REAR AXLE	ESSIEU POST. COMPL.	ACHSE KOMPL.
62	P3040153	4	ALBERINO	SHAFT	ARBRE	WELLE
63	P1050011	4	DADO	NUT	ECROU	MUTTER
64	P3030021	2	SUPPORTO COMPL.	COMPLETE SUPPORT	SUPPORT COMPL.	HALTER KOMPL.
65	1010027A1	4	VITE	SCREW	VIS	SCHRAUBE
66	P02031048	1	ALBERO ROT. COLTELLI MOBILI	MOBILE BLADE SHAFT	ARBRE DE LAME MOBILE	WELLE FUER BEWEGLICHE MESSER
67	P1090006		LINGUETTA	KEY	CLAVETTE	SCHIBENFEDER
68	P2040016	20	DISTANZIALE LUNGO	LONG SPACER	DOUILLE	ABSTANDSSTUECK
69	P1020073	8	SEEGER	CIRCLIP	SEEGER	SEEGER
70	P1020075	8	SEEGER	CIRCLIP	SEEGER	SEEGER
71	P2040017	4	DISTANZIALE CORTO	SMALL SPACER	DOUILLE	ABSTANDSSTUECK
72	P4010116	24	COLTELLO MOBILE	MOBILE BLADE	LAME MOBILE	BEWEGLICHES MESSER
	4030		ROTORE COLTELLI MOBILI COMPL.	MOBILE BLADE CUTTING UNIT	ARBRE DE LAME MOBILE ENSEMBLE	SCHNEIDEINHEIT MIT BEWEGLICHEN MESSERN
	4020		ROTORE COLTELLI FISSI COMPL.	FIXED BLADE CUTTING UNIT	ARBRE DE LAME FIXE ENSEMBLE	SCHNEIDEINHEIT MIT FESTEN MESSERN
73	P1050014	36	DADO	NUT	ECROU	MUTTER
74	P02031148	1	ALBERO ROT. COLTELLI FISSI	FIXED BLADE SHAFT	ARBRE DE LAME FIXE	WELLE FUER FESTE MESSER
75	P4010110	18	COLTELLO FISSO	FIXED BLADE	LAME FIXE	FESTES MESSER
76	P3040189	8	DISTANZIALE LUNGO	LONG SPACER	DOUILLE	ABSTANDSSTUECK
77	P4010107	9	PIASTRA	PLATE	PLAQUE	PLATE
78	P3040190	1	DISTANZIALE CORTO	SMALL SPACER	DOUILLE	ABSTANDSSTUECK
79	P1020069	1	ROSETTA	WASHER	RONDELLE	SCHIBE
80	P1020070	1	GHIERA	RING	EMBOUT	NUTMUTTER
81	P1010130	36	VITE	SCREW	VIS	SCHRAUBE
82	P1010087	1	VITE MOTORE	ENGINE SCREW	VIS MOTEUR	MOTORSCRAUBE
83	P1020074	1	ROSETTA	WASHER	RONDELLE	SCHIBE

Vista stegola superiore e comandi VERTICUT

Upper handle and controls VERTICUT

Mancheron partie supérieur et éléments de commande VERTICUT

Lenkeroberteil und Bedienungselemente VERTICUT



REF. N°	PART. N°	QTY	DESCRIZIONE	DESCRIPTION	DESCRIPTION	BESCHREIBUNG
	P02070148	1	STEGOLA SUP.	UPPER HANDLEBAR	GUIDON SUP.	OB. FUEHRUNGSHOLM
2	P02042048	1	MANIGLIA TRAZIONE	TRACTION LEVER	LEVIER DE TRACTION	ANTRIEBSHEBEL
3	P3020023	1	MOLLA	SPRING	RESSORT	FEDER
4	P1050016	1	DADO	NUT	ECROU	MUTTER
5	P1010144	1	REGISTRO	ADJUSTER	REGLAGE DES FILS	DURCHGANGSREGELUNG
6	1050002A1	1	DADO	NUT	ECROU	MUTTER
7	P4010060	1	PIASTRINA	PLATE	PLAQUE	PLATTE
8	1050003A1	1	DADO	NUT	ECROU	MUTTER
9	P00065099	1	LEVA	LEVER	LEVIER	HEBEL
10	P2020108	1	PERNO	BOLT	BOULON	STIFT
11	1050003A1	2	DADO	NUT	ECROU	MUTTER
12	P4010059	1	MOLLA	SPRING	RESSORT	FEDER
13	P2020107	1	SEMISCATOLA SX	HOUSING LEFT	BOITE GAUCHE	SCHALE L.
14	P1010102	2	VITE	SCREW	VIS	SCHRAUBE
15	P2020106	1	SEMISCATOLA DX	HOUSING RIGHT	BOITE DROITE	SCHALE R.
16	P2020080	1	FERMA CAVO	CLIP	CLIP	HALTER
17	2020050A1	2	GALLETTO	KNOB	POIGNEE	MUTTER
18	P5010021	1	CAVO TRAZIONE	TRACTION CABLE	CABLE DE TRACTION	ANTRIEBSKABEL
19	P1010146	1	MORSETTO FISSA CAVO	CABLE FASTENER	MACHOIRE A TENDRE	FROSCHKLEMME
20	P5020040	1	CAVO ACC. 4033/4034	THROTTLE CABLE	CABLE DE GAZ	GASHEBEL
20	P5020043	1	CAVO ACC. 4035/4037	THROTTLE CABLE	CABLE DE GAZ	GASHEBEL
21	P3040087	2	BUSSOLA	BUSHING	DOUILLE	BUECHSE
22	P1010135	2	VITE	SCREW	VIS	SCHRAUBE
23	P02047048	1	ASTA INFERIORE	SHAFT	ARBRE	ACHSE
24	P1010140	2	VITE	SCREW	VIS	SCHRAUBE
25	P2020133	2	VOLANTINO	KNOB	POIGNEE	MUTTER
26	P02047348	1	ASTA INTERMEDIA	SHAFT	ARBRE	ACHSE
27	P02047148	1	ASTA SUPERIORE	SHAFT	ARBRE	ACHSE
28	P2020151	1	SEMISCATOLA DX	HOUSING RIGHT	BOITE DROITE	SCHALE R.
29	P1010133	2	VITE TRUCIOLARE	SCREW	VIS	SCHRAUBE
30	P1010132	1	VITE	SCREW	VIS	SCHRAUBE
31	P2020158	1	DISTANZIALE	SPACER	DOUILLE	ABSTANDSSTUECK
32	P2020159	1	PERNO	BOLT	BOULON	STIFT
33	P2020157	1	LEVA DI COMANDO	CONTROL LEVER	LEVIER DE COMMANDE	STEUERHEBEL
34	P5070003	2	STRINGICAVO	CLIP	CLIP	HALTER
35	P3040198	1	DISTANZIALE	SPACER	DOUILLE	ABSTANDSSTUECK
36	P1020072	2	MOLLA	SPRING	RESSORT	FEDER
37	P1020071	2	SPESSORE	WASHER	RONDELLE	SCHIEBE
38	P1010105	4	VITE	SCREW	VIS	SCHRAUBE
39	P2020152	1	SEMISCATOLA SX	HOUSING LEFT	BOITE GAUCHE	SCHALE L.
40	1050003A1	1	DADO	NUT	ECROU	MUTTER
41	P3050035	1	CHIOCCIOLA	NUT	ECROU	MUTTER
42	P00039948	1	VITE	SCREW	VIS	SCHRAUBE
43	P3040123	2	BUSSOLA	BUSHING	DOUILLE	BUECHSE
44	P1010078	2	VITE	SCREW	VIS	SCHRAUBE
	P00035099	1	SCATOLA ACC. COMPL.	THROTTLE ASSY	BOITE DE GAZ COMPL.	GASHEBEL KOMPL.

Vista generale VERTICUT
Complete machine VERTICUT
Vue d'ensemble VERTICUT
Gesamtansicht VERTICUT

