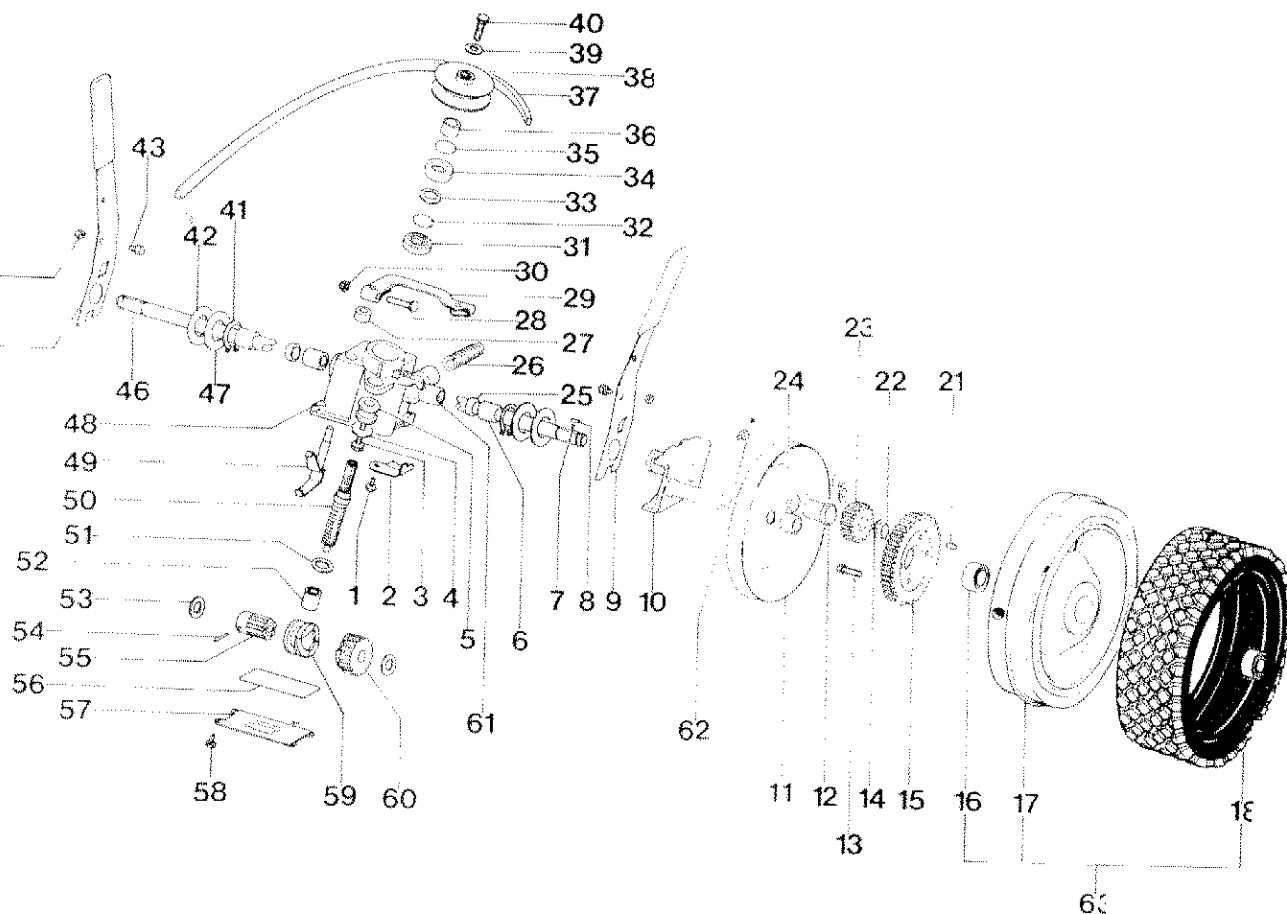


REF. N°	PART. N°	QTY	DESCRIZIONE	DESCRIPTION	DESCRIPTION	BESCHREIBUNG
	P5140004	1	DECALCO	DECAL	MARQUAGE	AUFKLEBER
	P5110008	1	CHIAVE CANDELA 21	KEY 21	CLEF 21	SCHLUESSEL 21
	P5110012	1	CHIAVE CANDELA 16	KEY 16	CLEF 16	SCHLUESSEL 16
	P5090071	1	MANUALE ISTRUZIONI	INSTRUCTION MANUAL	MODE D'EMPLOI	BEDIENUNGSANLEITUNG

530
GARDEN-PRO

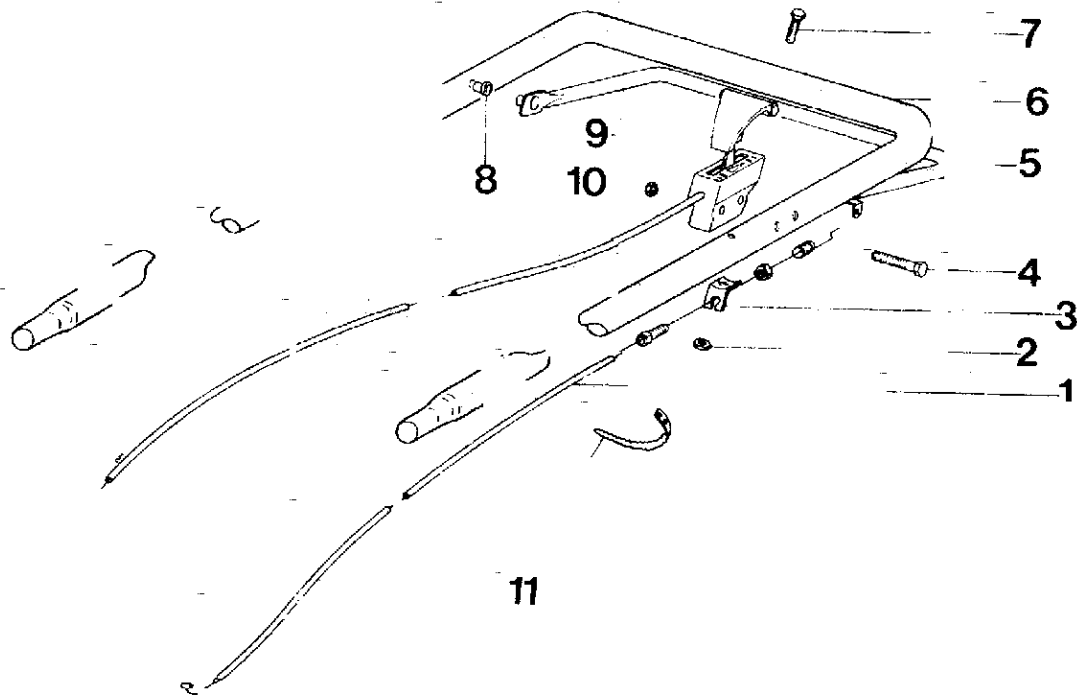
REF. N°	PART. N°	QTY	DESCRIZIONE	DESCRIPTION	DESCRIPTION	BESCHREIBUNG
1			MOTORE	ENGINE	MOTEUR	MOTOR
2	P1050011	3	DADO x TECN. OHV/B&S 2 T	NUT x TECN. OHV/B&S 2 T	ECROU x TECN. OHV/B&S 2 T	MUTTER x TECN. OHV/B&S 2 T.
2	P1050013	1	DADO x B&S VANGUARD	NUT x B&S VANGUARD	ECROU x B&S VANGUARD	MUTTER x B&S VANGUARD
2	P1050011	2	DADO x B&S VANGUARD	NUT x B&S VANGUARD	ECROU x B&S VANGUARD	MUTTER x B&S VANGUARD
3	P1050011	2	DADO	NUT	ECROU	MUTTER
4	P1010120	2	VITE	SCREW	VIS	SCHRAUBE
5	P02070252	2	STEGOLA INF.	LOWER HANDLEBAR	GUIDON INF	HOLMUNTERTEIL
6	1010025	2	VITE	SCREW	VIS	SCHRAUBE
7	P1050011	2	DADO	NUT	ECROU	MUTTER
8	P02071037	1	RINFORZO STEGOLA	REINFORCEMENT	RENFORCEMENT	VERSTAERKUNG
9	1010003A1	2	VITE	SCREW	VIS	SCHRAUBE
10	P1010119	2	VITE	SCREW	VIS	SCHRAUBE
11	1020009A1	2	RONDELLA	WASHER	RONDELLE	SCHEIBE
12	P2020146	2	COPERTONE	TYRE	PNEU	REIFEN
13	P01015152	2	CERCHIONE	WHEEL HUB	JANTE	FELGE
	P3030018	4	CUSCINETTO	BEARING	PALIER	LAGER
	P00015652	2	RUOTA ANT. COMPL.	COMPLETE FRONT WHEEL	ROUE ANT COMPL.	RAD KOMPL.
15	P3040118	2	BUSSOLA	BUSHING	DOUILLE	BUECHSE
17	P4020030	2	PORTA RUOTA ANT.	WHEEL SUPPORT	SUPPORT	RADHALTER
18	P3040119	2	BUSSOLA	BUSHING	DOUILLE	BUECHSE
19	P1010123	2	VITE	SCREW	VIS	SCHRAUBE
20	1050002A1	2	DADO	NUT	ECROU	MUTTER
21	P00046252	1	LEVA ALZA RUOTA SX	LEFT WHEEL LEVER	LEVIER ROUE GAUCHE	RADHEBEL L.
22	P3040199	2	PERNO	BOLT	BOULON	STIFT
23	P1010122	8	VITE	SCREW	VIS	SCHRAUBE
24	P01031952	2	PIASTRA SX	LEFT PLATE	PLAQUE GAUCHE	PLATE L.
25	P3040133	8	DISTANZIALE	SPACER	DOUILLE	ABSTANDSSTUECK
26	P1050011	2	DADO	NUT	ECROU	MUTTER
27	P02006637	1	SCOCCA	DECK	CHASSIS	GAHAEUSE
28	P01031852	2	PIASTRA DX	RIGHT PLATE	PLAQUE DROITE	PLATE R.
29	P1010076	4	VITE	SCREW	VIS	SCHRAUBE
30	P2020141	1	CARTER COPRICINGHIA	BELT COVER	COUVERCLE	ABDECKUNG
31	P1060004	2	STARLOCK	STARLOCK	STARLOCK	STARLOCK
32	P01027251	1	ASTINA	SHAFT	ARBRE	ACHSE
33	P3020022	1	MOLLA	SPRING	RESSORT	FEDER
34	P3040203	2	DISTANZIALE	SPACER	DOUILLE	ABSTANDSSTUECK
35	P1050014	2	DADO	NUT	ECROU	MUTTER
36	P00020151	1	DEFLETTORE	SHIELD	PLAQUE DE PROTECTION	SCHUTZ
37	P1060012	2	STARLOCK	STARLOCK	STARLOCK	STARLOCK
38	P00020351	1	CERNIERA	HINGE	CHARNIERE	SCHARNIER
39	P1010150	2	VITE	SCREW	VIS	SCHRAUBE
40	P00046452	1	LEVA ALZA RUOTA DX	RIGHT WHEEL LEVER	LEVIER ROUE DROITE	RADHEBEL R.
41	P2020138	1	ETICHETTA	LABEL	MARQUAGE	AUFKLEBER
42	P1010097	3	VITE x B&S VANGUARD	SCREW x B&S VANGUARD	VIS x B&S VANGUARD	SCHRAUBE x B&S VANGUARD
42	P1010101	3	VITE x B&S 2 T.	SCREW x B&S 2 T.	VIS x B&S 2 T.	SCHRAUBE x B&S 2 T.
42	P1010097	3	VITE x TECN. OHV	SCREW x TECN. OHV	VIS x TECN. OHV	SCHRAUBE x TECN. OHV
43	P3040126	1	BRONZINA GUIDA ALBERO	BUSHING	COUSSINET	BUECHSE
44	1020014A1	3	RONDELLA	WASHER	RONDELLE	SCHEIBE
45	P01082152	1	FLANGIA	FLANGE	FLASQUE	FLANSCH
46	P1090003	1	LINGUETTA	KEY	CLAVETTE	SCHIBENFEDER
47	P1010018	6	VITE	SCREW	VIS	SCHRAUBE
48	P01082237		RINFORZO INTERNO	INNER REINFORCEMENT	RENFORCEMENT	VERSTAERKUNG
49	P01082252	1	RINFORZO LATERALE	SIDE REINFORCEMENT	RENFORCEMENT	VERSTAERKUNG
50	P1010137	1	VITE LAMA	BLADE SCREW	VIS DE COUTEAU	MESSERSCHRAUBE
51	P1020067		RONDELLA ELASTICA	SPRING WASHER	RONDELLE ELAST.	FEDERSCHEIBE
52	P3040200	1	RONDELLA	WASHER	RONDELLE	SCHEIBE
53	P4050022	1	LAMA	BLADE	COUTEAU	MESSER
54	P3040130	2	ANELLO DI FRIZIONE	CLUTCH RING	BAGUE	RING
55	P3040129	1	ANELLO D'APPOGGIO	SUPPORT RING	BAGUE	RING
56	P3020020	1	MOLLA	SPRING	RESSORT	FEDER
57	P3040168	1	BUSSOLA LAMA	BLADE BUSHING	DOUILLE DE COUTEAU	MESSERBUECHSE
58	P1050012	2	DADO	NUT	ECROU	MUTTER
59	P02070852	1	PARAURTI	BUMPER	HEURTOIR	SCHUTZ

Vista assiale posteriore e riduttore



REF. N°	PART. N°	QTY	DESCRIZIONE	DESCRIPTION	DESCRIPTION	BESCHREIBUNG
1	P1010076	1	VITE	SCREW	VIS	SCHRAUBE
2	P4030010	1	COPERCHIO MOLLA	SPRING COVER	COUVERCLE	FEDERHALTER
3	P1010073	1	VITE	SCREW	VIS	SCHRAUBE
4	P1020054	1	RONDELLA	WASHER	RONDELLE	SCHEIBE
5	P2040010	1	GOMMINO	RUBBER TUBE	TUBE DE PROTECTION	SCHUTZHUELLE
6	3030003A1	2	CUSCINETTO	BEARING	PALIER	LAGER
7	P3020019	2	MOLLA	SPRING	RESSORT	FEDER
8	P1090005	2	LINGUETTA	KEY	CLAVETTE	SCHIBENFEDER
9	P00046352	1	LEVA ALZA RUOTA DX	RIGHT WHEEL LEVER	LEVIER ROUE DROITE	RADHEBEL R
10	P4020031	2	PORTA RUOTA POST	REAR WHEEL SUPPORT	SUPPORT ROUE POST	RADHALTER
11	P01084952	2	COPRI RUOTA	WHEEL COVER	PROTECTION	ABDECKUNG
12	P2020070	2	BUSSOLA	BUSHING	DOUILLE	BUECHSE
13	P1010121	4	VITE	SCREW	VIS	SCHRAUBE
14	1020020A1	4	RONDELLA	WASHER	RONDELLE	SCHEIBE
15	P3050033	2	RUOTA DENTATA	GEAR	ROUE DENTEE	RAD
16	P3030018	4	CUSCINETTO RUOTA	WHEEL BEARING	PALIER	LAGER
17	*01015252	2	COPRICHIONE	WHEEL HUB	JANTE	FELGE
18	P2020146	2	COPERTONE	TYRE	PNEU	REIFEN
19	1020009A1	2	RONDELLA	WASHER	RONDELLE	SCHEIBE
20	P1010119	2	VITE	SCREW	VIS	SCHRAUBE
21	P1080010	4	SPINA	PIN	GOUILLE	STIFT
22	1070001A1	4	SEEGER	CIRCLIP	SEEGEP	SEEGER
23	P3050034	2	PIGNONE	PINION	PIGNON	PIZZEL
24	P3040120	2	DISTANZIALE RUOTA	WHEEL SPACER	DOUILLE	ABSTANDSSTUECK
25	P3170011	2	PARAOILIO	OIL SEAL	JOINT D'ARBRE	WELLENDICHTRING
26	P3020010	1	MOLLA	SPRING	RESSORT	FEDER
27	P3170012	1	PARAOILIO	OIL SEAL	JOINT D'ARBRE	WELLENDICHTRING
28	P1010075	1	VITE	SCREW	VIS	SCHRAUBE
29	P4070011	1	LEVA RIDUTTORE	LEVER	LEVIER	HEBEL
30	1050003A1	1	DADO	NUT	ECROU	MUTTER
31	P3030010	1	CUSCINETTO	BEARING	PALIER	LAGER
32	P1070004	1	SEEGER	CIRCLIP	SEEGEP	SEEGER
33	P1020051	1	SPESSORE	WASHER	RONDELLE	SCHEIBE
34	P3170010	1	PARAOILIO	OIL SEAL	JOINT D'ARBRE	WELLENDICHTRING
35	P3170010	1	OR	O RING	JOINT TORIQUE	GUMMIRING
36	P3040049	1	DISTANZIALE	SPACER	DOUILLE	ABSTANDSSTUECK
37	P3010020	1	CINGHIA TRASMISSIONE	TRANSMISSION BELT	COURROIE DE TRANSMISSION	RIEMEN
38	P3040122	1	PULEGGIA	PULLEY	POULIE	RIEMENSCHLEIBE
39	1020007A1	1	RONDELLA	WASHER	RONDELLE	SCHEIBE
40	1010018A1	1	VITE	SCREW	VIS	SCHRAUBE
41	P1070008	2	SEEGER	CIRCLIP	SEEGEP	SEEGER
42	P3040121	2	DISTANZIALE LEVA	SPACER	DOUILLE	ABSTANDSSTUECK
43	P3040199	2	PERNO LEVA	BOLT	BOULON	STIFT
44	1050009A1	2	DADO	NUT	ECROU	MUTTER
45	P00046352	1	LEVA ALZA RUOTA POST DX	RIGHT REAR WHEEL LEVER	LEVIER ROUE POST. DROITE	RADHEBEL R
46	P3040127	1	ALBERO DI TRASMISSIONE	TRANSMISSION SHAFT	ARBRE DE TRANSMISSION	WELLE
47	P1020057	2	DISTANZIALE	SPACER	DOUILLE	ABSTANDSSTUECK
48	P00039052	1	SCATOLA RIDUTTORE	GEAR BOX	BOITE DE REDUCTEUR	UNTERSETZUNGSGETRIEBE
49	P3040021	1	FORCELLA INNESTO	FORK	FOURCHE	GABEL
50	P3040114	1	VITE SENZA FINE	WORM GEAR	VIS SANS FIN	SCHNECKE
51	P1020053	1	SPESSORE	WASHER	RONDELLE	SCHEIBE
52	P3030019	1	CUSCINETTO	BEARING	PALIER	LAGER
53	1020020A1	2	SPESSORE	WASHER	RONDELLE	SCHEIBE
54	1080010	1	SPINA	PIN	GOUILLE	STIFT
55	P00065452	1	BUSSOLA SCANALATA	BUSHING	DOUILLE CANNELEE	KEILHUELSE
56	P3170014	1	OR	O RING	JOINT TORIQUE	GUMMIRING
57	P4110001	1	COPERCHIO	COVER	COUVERCLE	DECKEL
58	P1010076	4	VITE	SCREW	VIS	SCHRAUBE
59	P00037952	1	INNESTO	SELECTOR COLLAR	MANCHON	SCHALTBUECHSE
60	P00038252	1	RUOTA ELICOIDALE	HELICOIDAL WHEEL	ROUE HELICOIDALE	SCHNECKENRAD
61	P3030020	2	CUSCINETTO	BEARING	PALIER	LAGER
62	P1010143	2	INGRASSATORE	OILER	GRAISSEUR	FETTBUECHSE
63	P00015752	2	RUOTA COMPL.	WHEEL ASSY.	ROUE COMPL.	RAD KOMPL.
	P00078252	1	SCATOLA RIDUTTORE COMPL.	COMPLETE GEAR BOX	BOITE DE REDUCTEUR COMPL.	UNTERSETZUNGSGETRIEBE

	PART. N°	QTY	DESCRIZIONE	DESCRIPTION	DESCRIPTION	BESCHREIBUNG
	P5010019	1	CAVO TRAZIONE	TRACTION CABLE	CABLE DE TRACTION	ANTRIEBSKABEL
2	1050003A1	2	DADO	NUT	ECROU	MUTTER
3	P4010060	1	PIASTRINA	PLATE	PLAQUE	PLATTE
4	P1010126	2	VITE	SCREW	VIS	SCHRAUBE
5	P02042052		MANIGLIA TRAZIONE	TRACTION LEVER	LEVIER DE TRACTION	ANTRIEBSHEBEL
6	P02070152	1	SEGOLA SUP.	UPPER HANDLEBAR	GUIDON SUP.	OB. FUEHRUNGSHOLM
7	P1010102	1	VITE	SCREW	VIS	SCHRAUBE
8	P3040123	2	BUSSOLA	BUSHING	DOUILLE	BUECHSE
9	P5020044		SCATOLA ACC. + CAVO 5368	THROTTLE BOX + CABLE 5368	BOITE DE GAZ + CABLE 5368	GASHEBEL 5368
9	P5020045		SCATOLA ACC. + CAVO 5332	THROTTLE BOX + CABLE 5332	BOITE DE GAZ + CABLE 5332	GASHEBEL 5332
9	P5020046		SCATOLA ACC. + CAVO 5365	THROTTLE BOX + CABLE 5365	BOITE DE GAZ + CABLE 5365	GASHEBEL 5365
10	1050003A1		DADO	NUT	ECROU	MUTTER
11	5040001A1		FASCETTA FERMA CAVO	CLIP	CLIP	HALTER



Tav. 3

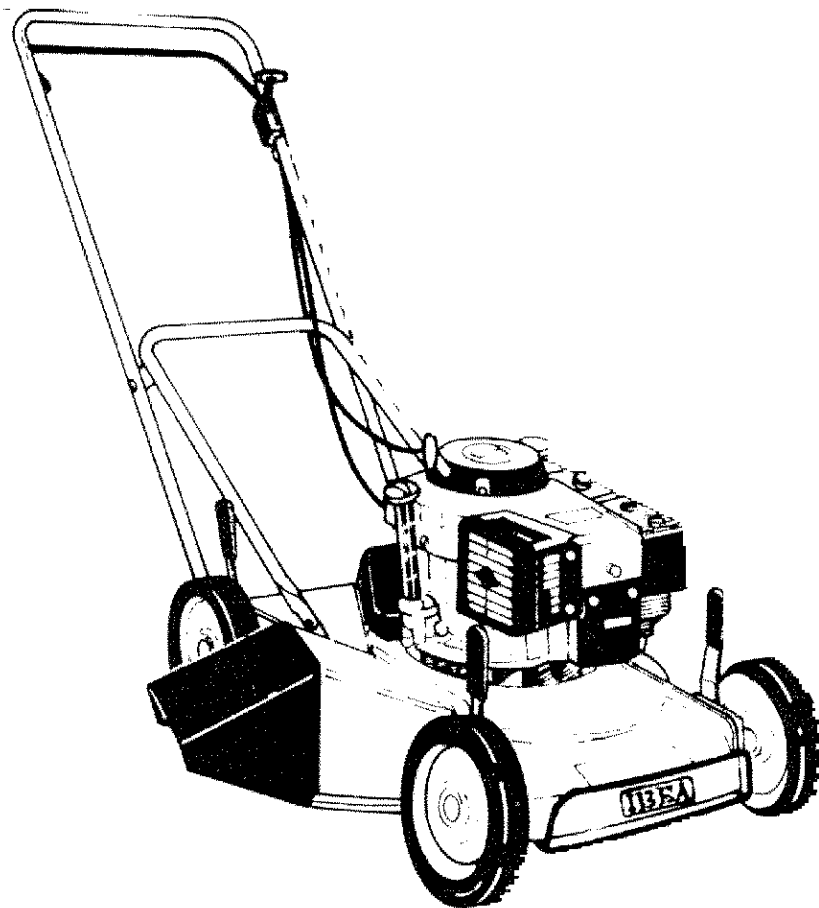
Vista stegola superiore e comandi

Upper handle and controls

Mancheron partie supérieur et éléments de commande

Lenkeroberteil und Bedienungselemente

LISTA RICAMBI
SPARE PART LIST
ERSATZTEILLISTE
LISTE DES PIECES DE RECHANGE



SCARICO LATERALE
530 GARDEN PRO

