

IBEA

Modello n.
IB-5370F

Serie dal n.
001

Stampato n. P5090175

LISTA RICAMBI

SPARE PARTS LIST

ERSATZTEILLISTE

LISTE DES PIECES DE RECHANGE

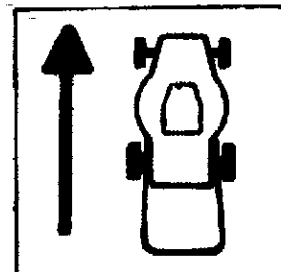


SERIE 530 SCARICO LATERALE
GARDEN PRO 3M

REF. N°	PART. N°	QTY	DESCRIZIONE	DESCRIPTION	DESCRIPTION	BESCHREIBUNG
1	P5140573	1	DECALCO	DECAL	MARQUAGE	AUFKLEBER
2	P5140574	1	DECALCO	DECAL	MARQUAGE	AUFKLEBER
3	P5140202	1	DECALCO	DECAL	MARQUAGE	AUFKLEBER
4	P5140203	1	DECALCO	DECAL	MARQUAGE	AUFKLEBER
5	P5140204	1	DECALCO	DECAL	MARQUAGE	AUFKLEBER
6	P5140186	1	DECALCO	DECAL	MARQUAGE	AUFKLEBER
7	P5140334	1	DECALCO	DECAL	MARQUAGE	AUFKLEBER
*	P5110016	1	CHIAVE	KEY	CLEF	SCHLÜSSEL
*	P5110008	1	CHIAVE TUBO	KEY	CLEF	SCHLÜSSEL
*	P5090181	1	MANUALE ISTRUZIONI	OPERATOR'S MANUAL	MODE D'EMPLOI	BEDIENUNGSANLEITUNG



1



2



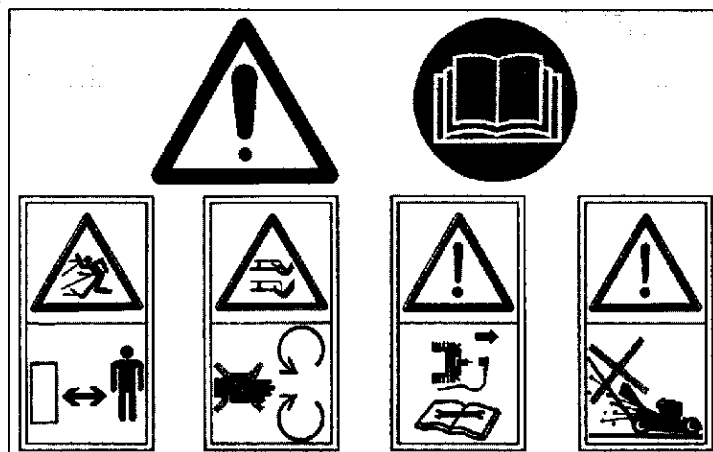
3



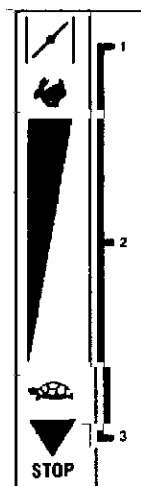
4



5



7



6

IBEA S.p.A.

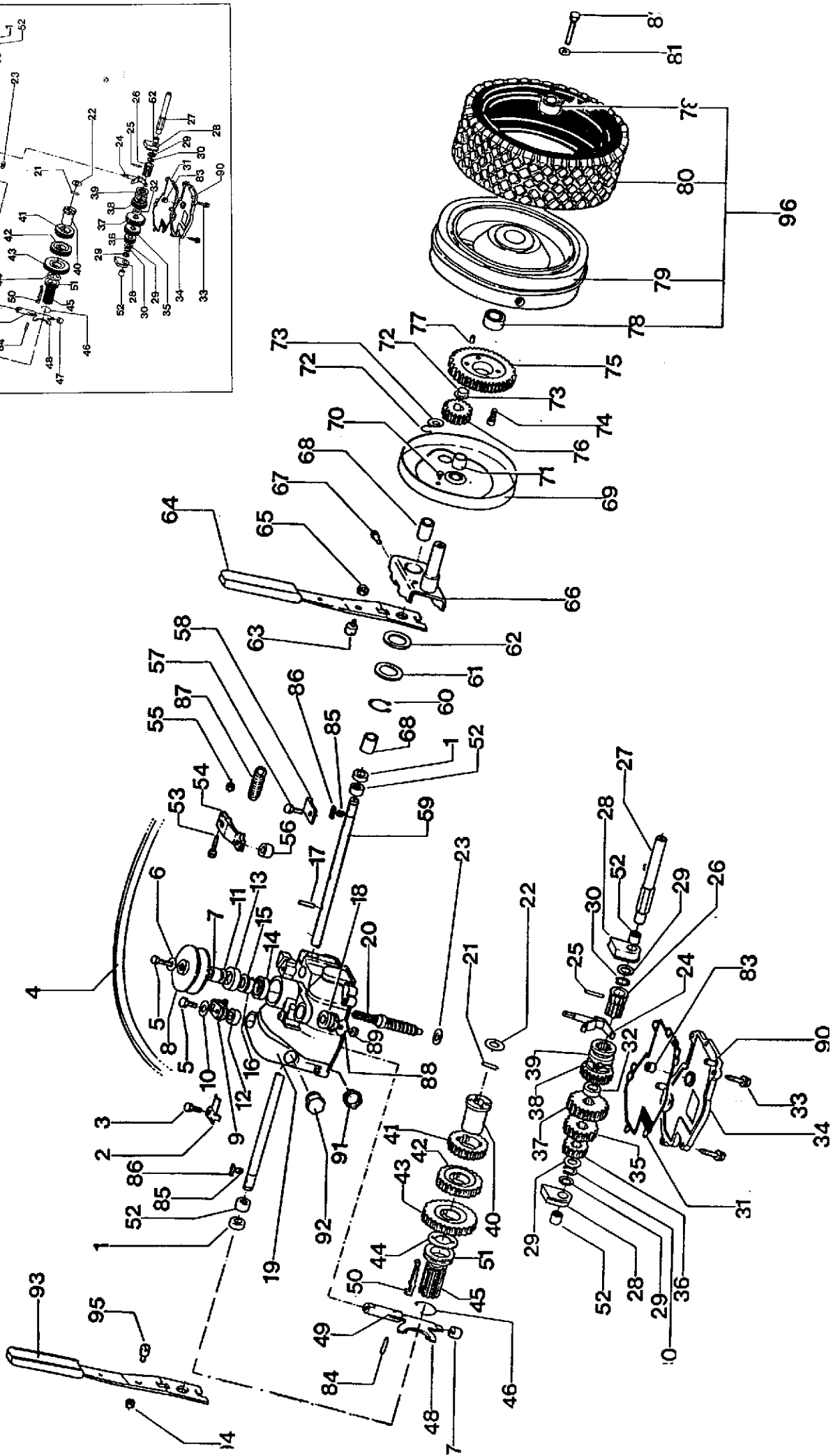
Via De Gasperi, 5 - 22070 LUISAGO (CO)

Tel.: 031/92.91.50 - Telex: 380870

Telefax: 031/92.94.07-88.99.85

REF. N°	PART. N°	QTY	DESCRIZIONE	DESCRIPTION	DESCRIPTION	BESCHREIBUNG
2	P02070852	1	MOTORE	ENGINE	MOTEUR	MOTOR
3	P1050011	2	PARAURTI	BUMPER	PARE-CHOCS	STOBSTANGE
4	P1010120	2	DADO	NUT	ÉCROU	MUTTER
5	P02070252	2	VITE	SCREW	VIS	SCHRAUBE
6	P02070252	2	STEGOLA INF.	LOWER HANDLEBAR	GUIDON INF.	HOLMUNTERTEIL
7	P1010125	2	VITE	SCREW	VIS	SCHRAUBE
8	P1050011	2	DADO	NUT	ÉCROU	MUTTER
9	P02071037	1	RINFORZO STEGOLA	REINFORCEMENT	RENFORCEMENT	VERSTÄRKUNG
10	1010003A1	2	VITE	SCREW	VIS	SCHRAUBE
11	P1010119	2	VITE	SCREW	VIS	SCHRAUBE
12	1020009A1	2	RONDELLA	WASHER	RONDELLE	SCHEIBE
13	P2020146	2	COPERTONE	TYRE	PNEU	REIFEN
14	P01015152	2	CERCHIONE	WHEEL HUB	JANTE	FELGE
15	P3030018	4	CUSCINETTO	BEARING	PALIER	LAGER
16	P00015652	2	RUOTA ANT. COMPL.	COMPLETE FRONT WHEEL	ROUE ANT. COMPL.	RAD KOMPL.
17	P3040118	2	BUSSOLA	BUSHING	DOUILLE	BÜCHSE
18	P4020030	2	PORTA RUOTA ANT.	WHEEL SUPPORT	SUPPORT	RADHALTER
19	P3040119	2	BUSSOLA	BUSHING	DOUILLE	BÜCHSE
20	P1010123	2	VITE	SCREW	VIS	SCHRAUBE
21	1050002A1	2	DADO	NUT	ÉCROU	MUTTER
22	P00046252	1	LEVA ALZA RUOTA SX	LEFT WHEEL LEVER	LEVIER ROUE GAUCHE	RADHEBEL L.
23	P3040199	2	PERNO	BOLT	BOULON	STIFT
24	P1020077	12	RIVETTO	STUD	RIVET	NIET
25	P01031952	2	PIASTRA SX	LEFT PLATE	PLAQUE GAUCHE	PLATTE L.
26	P3040133	8	DISTANZIALE	SPACER	DOUILLE	ABSTANDSSTÜCK
27	P1050011	2	DADO	NUT	ÉCROU	MUTTER
28	P02006637	1	SCOCCA	DECK	CHÂSSIS	GAHÄUSE
29	P01031852	2	PIASTRA DX	RIGHT PLATE	PLAQUE DROITE	PLATTE R.
30	P1010076	4	VITE	SCREW	VIS	SCHRAUBE
31	P2020141	1	CARTER COPRICINGHIA	BELT COVER	COUVERCLE	ABDECKUNG
32	P1060004	2	STARLOCK	STARLOCK	STARLOCK	STARLOCK
33	P01027251	1	ASTINA	SHAFT	ARBRE	ACHSE
34	P3020022	1	MOLLA	SPRING	RESSORT	FEDER
35	P3040203	2	DISTANZIALE	SPACER	DOUILLE	ABSTANDSSTÜCK
36	P1050014	2	DADO	NUT	ÉCROU	MUTTER
37	P00020151	1	DEFLETTORE	SHIELD	PLAQUE DE PROTECTION	SCHUTZ
38	P1060012	2	STARLOCK	STARLOCK	STARLOCK	STARLOCK
39	P00020351	1	CERNIERA	HINGE	CHARNIERE	SCHARNIER
40	P1010150	2	VITE	SCREW	VIS	SCHRAUBE
41	P00046452	1	LEVA ALZA RUOTA DX	RIGHT WHEEL LEVER	LEVIER ROUE DROITE	RADHEBEL R.
42	P2020138	1	ETICHETTA	LABEL	MARQUAGE	AUFKLEBER
43	P1010116	3	VITE	SCREW	VIS	SCHRAUBE
44	P1010169	3	VITE	SCREW	VIS	SCHRAUBE
45	P3040126	4	BRONZINA GUIDA ALBER	BUSHING	DOUILLE	BÜCHSE
46	P1020067	4	RONDELLA	WASHER	RONDELLE	SCHEIBE
47	P01082152	4	FLANGIA	FLANGE	FLASQUE	FLANSCH
48	1090001A1	6	LINGUETTA	KEY	CLAVETTE	SCHEIBENFEDER
49	P1010018	6	VITE	SCREW	VIS	SCHRAUBE
50	P01082237	1	RINFORZO INTERNO	INNER REINFORCEMENT	RENFORCEMENT	VERSTÄRKUNG
51	P01082252	1	RINFORZO LATERALE	SIDE REINFORCEMENT	RENFORCEMENT	VERSTÄRKUNG
52	P3040220	4	DISTANZIALE	SPACER	DOUILLE	ABSTANDSSTÜCK
53	P1010159	1	VITE LAMA	BLADE SCREW	VIS DE LAME	MESSERSCHRAUBE
54	P1020067	1	RONDELLA	WASHER	RONDELLE	SCHEIBE
55	P3040243	1	RONDELLA	WASHER	RONDELLE	SCHEIBE
56	P3170016	2	FERODO	WASHER	RONDELLE	SCHEIBE
57	P4050030	1	LAMA	BLADE	LAME	MESSER
58	P1080017	2	SPINA	PIN	GOUPILLE	STIFT
59	P3040242	1	BUSSOLA LAMA	BLADE BUSHING	DOUILLE DE LAME	MESSERBÜCHSE
60	P4010162	1	RONDELLA	WASHER	RONDELLE	SCHEIBE
61	P1020087	2	MOLLA	SPRING	RESSORT	FEDER
62	P4010163	1	RASAMENTO SAGOMAT	SPACER	DOUILLE	ABSTANDSSTÜCK
63	P1070012	1	SEGER	CIRCLIP	SEGER	SEGER
64	P1130003	2	GRANO	DOWEL	CHEVILLE	DÜBEL
65	P3040240	1	PULEGGIA	PULLEY	POULIE	RIEMENSCHLEIBE
66	P1050012	1	DADO	NUT	ÉCROU	MUTTER

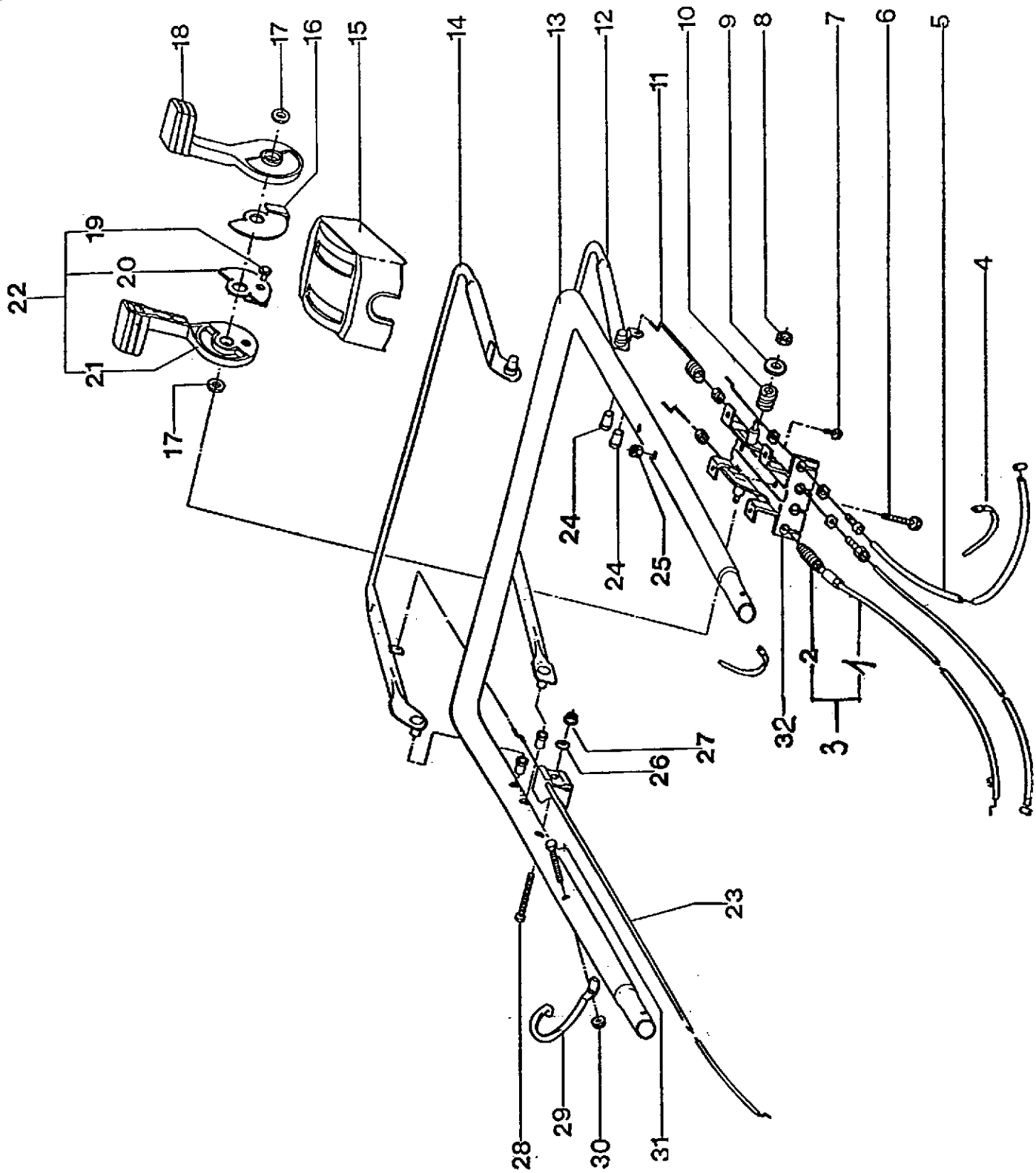
Assale posteriore e trasmissione
 Rear axle and gear box
 Essieux arrière et transmission
 Hinterachse und Getriebe



REF. N°	PART. N°	QTY	DESCRIZIONE	DESCRIPTION	DESCRIPTION	BESCHREIBUNG
1	P3170011	2	ANELLO DI TENUTA	OIL SEAL	JOINT D'ARBRE	WELLENDICHTRING
2	P4010124		COPERCHIO	COVER	COUVERCLE	FEDERHALTER
3	1010018A1		VITE	SCREW	VIS	SCHRAUBE
4	P3010020	1	CINGHIA	TRANSMISSION BELT	COURROIRE DE TRANS.	RIEMEN
5	1010018A1	2	VITE	SCREW	VIS	SCHRAUBE
6	1020007A1	1	RONDELLA	WASHER	RONDELLE	SCHEIBE
7	P3040049		BUSSOLA	BUSHING	DOUILLE	BÜCHSE
8	P3040244		PULEGGIA	PULLEY	POULIE	RIEMENSCHIEBE
9	P2020162	1	LEVA	LEVER	LEVIER	HEBEL
10	1020007A1	1	RONDELLA	WASHER	RONDELLE	SCHEIBE
11	P3170013	1	O-RING	SPACER	DOUILLE	ABSTANDSSTÜCK
12	P3170011	1	ANELLO DI TENUTA	OIL SEAL	JOINT D'ARBRE	WELLENDICHTRING
13	P3170010	1	ANELLO DI TENUTA	OIL SEAL	JOINT D'ARBRE	WELLENDICHTRING
14	P3030010	1	CUSCINETTO	BEARING	PALIER	LAGER
15	P1020079	1	RASAMENTO	SPACER	DOUILLE	ABSTANDSSTÜCK
16	P1070004	1	SEEGER	CIRCLIP	SEEGER	SEEGER
17	P1080015	1	SPINA	PIN	GOUPILLE	STIFT
18	P2040010	1	GOMMINO	RUBBER TUBE	TUBE DE PROTECTION	SCHUTZHÜLLE
19	P00039320	1	SCATOLA CAMBIO	GEAR BOX	BOÎTE DE VITESSE	GETRIEBE
20	P3040207	1	VITE	SCREW	VIS	SCHRAUBE
21	P1080007	1	SPINA	PIN	GOUPILLE	STIFT
22	P1020079	1	RASAMENTO	SPACER	DOUILLE	ABSTANDSSTÜCK
23	P1020053	1	RONDELLA	SPACER	DOUILLE	ABSTANDSSTÜCK
24	P3040041	1	FORCELLA	FORK	FOURCHE	GABEL
25	P1080013	1	SPINA	PIN	GOUPILLE	STIFT
26	P00065452	1	BUSSOLA	BUSHING	DOUILLE	BÜCHSE
27	P3040205	1	ALBERO	SHAFT	ARBRE	WELLE
28	P3050037	2	SUPPORTO	SUPPORT	SUPPORT	HALTER
29	1020020A1	2	RONDELLA	WASHER	RONDELLE	SCHEIBE
30	1070001A1	2	SEEGER	CIRCLIP	SEEGER	SEEGER
31	P3170015	1	GUARNIZIONE	GASKET	JOINT	DICHTUNG
32	P3040206	1	DISTANZIALE	SPACER	DOUILLE	DISTANZBÜCHSE
33	P1010155	6	VITE	SCREW	VIS	SCHRAUBE
34	P00039520	1	COPERCHIO	COVER	PROTECTION	ABDEKUNG
35	P3050041	1	INGRANAGGIO	GEAR	ENGRANAGE	STIRNRAD
36	P3050040	1	INGRANAGGIO	GEAR	ENGRANAGE	STIRNRAD
37	P3050042	1	INGRANAGGIO	GEAR	ENGRANAGE	STIRNRAD
38	P00038119	1	RUOTA DENT.	GEAR	ENGRANAGE	STIRNRAD
39	P00037952	1	INNESTO DESTRO	SELECTOR COLLAR	MANCHON	SCHALTBÜCHSE
40	P3050038	1	BUSSOLA	BUSHING	DOUILLE	BÜCHSE
41	P3050045	1	INGRANAGGIO	GEAR	ENGRANAGE	STIRNRAD
42	P3050044	1	INGRANAGGIO	GEAR	ENGRANAGE	STIRNRAD
43	P3050043	1	INGRANAGGIO	GEAR	ENGRANAGE	STIRNRAD
44	P4010121	1	DISCETTO TEMPRATO	TEMPERED RING	BAGUE EN ACIER	RING GEHÄRTET
45	P2020161	1	BUSSOLA	BUSHING	DOUILLE	BÜCHSE
46	P3020024	1	ANELLO	CIRCLIP	SEEGER	SEEGER
47	P3050046	1	GUIDA LEVA INF.	LOWER LEVER GUIDE	GUIDE INF. DE LEVIER	UNTERE FÜHRUNG
48	P4010122	1	LEVA SPINGILINGUETTA	THRUST LEVER	LEVIER DE BUTÉE	ANLAUFHEBEL
49	P3040216	1	GUIDA LEVA SUP.	UPPER LEVER GUIDE	GUIDE SUP. DE LEVIER	OBERE FÜHRUNG
50	P3050039	1	LINGUETTA SELETRICE	SELECTOR TAB	PATTE DE SELECTEUR	SCHALTFINGER
51	P3040204	4	ANELLO SPINGILINGUETTA	THRUST RING	BAGUE DE BUTÉE	ANLAUFRING
52	P3030020	1	CUSCINETTO	BEARING	PALIER	LAGER
53	P1010157	1	VITE	SCREW	VIS	SCHRAUBE
54	P4010123	1	LEVA DI TRAZIONE	TRACTION LEVER	LEVIER DE TRACTION	ANTRIEBSHEBEL
55	1050002A1	1	DADO	NUT	ÉCROU	MUTTER
56	P3170012	1	ANELLO DI TENUTA	OIL SEAL	JOINT D'ARBRE	WELLENDICHTRING
57	1010018A1	1	VITE	SCREW	VIS	SCHRAUBE
58	P4010125	1	COPERCHIO	COVER	COUVERCLE	DECKEL
59	P3040293	1	ALBERO TRAZIONE	DRIVE SHAFT	ARBRE DE TRACTION	ANTRIEBSWELLE
60	P1070011	2	SEEGER	CIRCLIP	SEEGER	SEEGER
61	P3040121	2	DISTANZIALE	SPACER	DOUILLE	DISTANZBÜCHSE
62	P1020057	2	RONDELLA	SPACER	DOUILLE	ABSTANDSSTÜCK
63	P3040199	2	PIOLINO	PIN	GOUPILLE	STIFT
64	P00046352	1	LEVA POST. SX	LEFT REAR WHEEL LEVER	LEVIER ROUE POST. GAUCHE	RADHEBEL L.
65	1050002A1	1	DADO	NUT	ÉCROU	MUTTER
66	P4020122	2	PORTA RUOTA POST.	REAR WHEEL SUPPORT	SUPPORT ROUE POST.	RADHALTER
67	P1010143	2	INGRASSATORE	LUBRIFIER	GRAISSEUR	SCHMIERER
68	3030003A1	4	CUSCINETTO	BEARING	PALIER	LAGER
69	P01084952	2	COPRIRUOTA	WHEEL COVER	PROTECTION DE ROUE	RADABDECKUNG
70	P1020086	2	RIVETTO	RIVET	RIVET	NIET
71	P3040120	2	DISTANZIALE	SPACER	DOUILLE	DISTANZBÜCHSE
72	1070001A1	4	SEEGER	CIRCLIP	SEEGER	SEEGER
73	1020020A1	4	RONDELLA	WASHER	RONDELLE	SCHEIBE
74	P1010121	4	VITE	SCREW	VIS	SCHRAUBE
75	P3050033	2	RUOTA DENTATA	WORM GEAR	COURONNE	KRONRAD
76	P3050034	2	PIGNONE	PINION	PIGNON	RITZEL
77	P1080010	4	SPINA	PIN	GOUPILLE	STIFT
78	P3030018	4	CUSCINETTO	BEARING	PALIER	LAGER
79	P01015252	2	CERCHIONE	REAR WHEEL	ROUE POST.	HINTERRAD
80	P2020146	2	COPERTONE	TYRE	NEUJ	REIFEN
81	1020009A1	2	RONDELLA	WASHER	RONDELLE	SCHEIBE
82	P1010119	1	VITE	SCREW	VIS	SCHRAUBE
83	P3030019	1	CUSCINETTO	BEARING	PALIER	LAGER
84	P1080016	1	SPINA	PIN	GOUPILLE	STIFT
85	P3020019	2	MOLLA	SPRING	RESSORT	FEDER
86	P1090005	2	CHIAVETTA	KEY	CLAVETTE	SCHEIBENFEDER
87	P3020028	1	MOLLA RICHIAMO LEVA	TRACTION SPRING	CLAVETTE	SCHEIBENFEDER
88	P1020054	1	RONDELLA	WASHER	RONDELLE	SCHEIBE
89	P1010173	1	VITE	SCREW	VIS	SCHRAUBE
90	P1080014	2	SPINA	PIN	GOUPILLE	STIFT
91	P3040264	1	GHIERA PER INDICATORE	COLLAR	FRETTE	ZWINGE
92	P5060003	1	INDICATORE OLIO	OIL LEVEL INDICATOR	INDICATEUR NIVEAU D'HUILE	ÖLSTANDANZEIGER
93	P00046552	1	LEVA POST. DX	R.H. REAR WHEEL LEVER	LEVIER ROUE POST. DROITE	RADHEBEL R.
94	1050002A1	1	DADO	NUT	ÉCROU	MUTTER
95	P3040199	1	PIOLINO	PIN	GOUPILLE	STIFT
96	P00015752	1	RUOTA POST. COMPL.	REAR WHEEL ASS. Y	ROUE POST. COMPL.	HINTERRAD KOMP.
97	P00078720	1	CAMBIO 3M COMP.	GEARBOX 3 SPEED ASS. Y	TRANS. 3 VITESSES COMPL.	FAHRGETRIEBE 3-GANG KOMP.

Steg
 Hand
 Guide
 Ke

comar
 rol
 im
 Bed im
 leminte



REF. N°	PART. N°	QTY	DESCRIZIONE	DESCRIPTION	DESCRIPTION	BESCHREIBUNG
1	P5010037	1	CAVO MARCE	SHIFT CABLE	CÂBLE DE COMMANDE	SCHALTKABEL
2	P5060010	1	SOFFIETTO PER CAVO	PROTECTION	PROTECTION	SCHUTZ
3	P5010067	1	CAVO MARCE COMPL.	SHIFT CABLE ASS. V	CÂBLE DE COMM. COMPL.	SCHALTKABEL KOMP.
4	5040001A1	3	FASCETTA	CLAMP	COLLIER	RAPBAND
5	P5020064	1	CAVO ACCELERATORE	THROTTLE CABLE	CÂBLE DE GAZ	GASKABEL
6	P1010102	2	VITE	SCREW	VIS	SCHRAUBE
7	P1010061	4	VITE	SCREW	VIS	SCHRAUBE
8	1050003A1	2	DADO	NUT	ÉCROU	MUTTER
9	1020007A1	2	RONDELLA	WASHER	RONDELLE	SCHLEIBE
10	P3020026	2	MOLLA	SPRING	RESSORT	FEDER
11	P5010047	1	CAVO TRAZIONE	TRACTION CABLE	CÂBLE DE TRACTION	ANTRIEBSKABEL
12	P3120071VE	1	MANIGLIA TRAZIONE	TRACTION LEVER	POIGNÉE DE TRACTION	ANTRIEBSHEBEL
13	P3120102VE	1	STEGOLA SUPERIORE	HANDLEBAR	GUIDON	FÜHRUNGSHOLM
14	P4080035VE	1	MANIGLIA SYSTEM 2	SYSTEM 2 LEVER	LEVIER SYSTEM 2	SYSTEM 2 HEBEL
15	P2020065	1	SCATOLA COMANDI	CONTROL HOUSING	BOÎTE DE COMMANDE	STEUERGEHÄUSE
16	P4020147ZN	1	PIASTRINA	PLATE	PLAQUE	PLATTE
17	P1020085	2	RASAMENTO	SPACER	DOUILLE	ABSTANDSSTÜCK
18	P2020168	1	LEVA ACCELERATORE	THROTTLE LEVER	LEVIER DE GAZ	GASHEBEL
19	P1020091	1	RIVETTO	RIVET	RIVET	NIET
20	P4020126	1	PIASTRINA	PLATE	PLAQUE	PLATTE
21	P2020167	1	LEVA CAMBIO	SHIFT LEVER	LEVIER DE COMMANDE	SCHALTERHEBEL
22	P00744998	1	LEVA CAMBIO COMPL.	SHIFT LEVER COMP.	ENS. LEVIER DE COMMANDE	SCHALTERHEBEL KOMP.
23	P5010046	1	CAVO SYSTEM 2	SYSTEM 2 CABLE	CÂBLE SYSTEM 2	SYSTEM 2 KABEL
24	P3040123	4	BUSSOLA	BUSHING	DOUILLE	BÜCHSE
25	1050003A1	1	DADO	NUT	ÉCROU	MUTTER
26	1020013A1	1	RONDELLA	WASHER	RONDELLE	SCHLEIBE
27	1050003A1	1	DADO	NUT	ÉCROU	MUTTER
28	P1010126	1	VITE	SCREW	VIS	SCHRAUBE
29	P01068343	1	SUPPORTO A RICCIOLO	STARTER HOLDER	SUPPORT	HALTER
30	1050002A1	1	DADO	NUT	ÉCROU	MUTTER
31	1010002A1	1	VITE	SCREW	VIS	SCHRAUBE
32	P4020125ZT	1	PORTA SCAT. COMANDI	CONTROL HOUSING SUPPORT	SUPPORT BOÎTE DE COMM.	HALTER FÜR STEUERGEHÄUSE

Vista generale
Complete machine
Vue d'ensemble.
Gesamtansicht

