

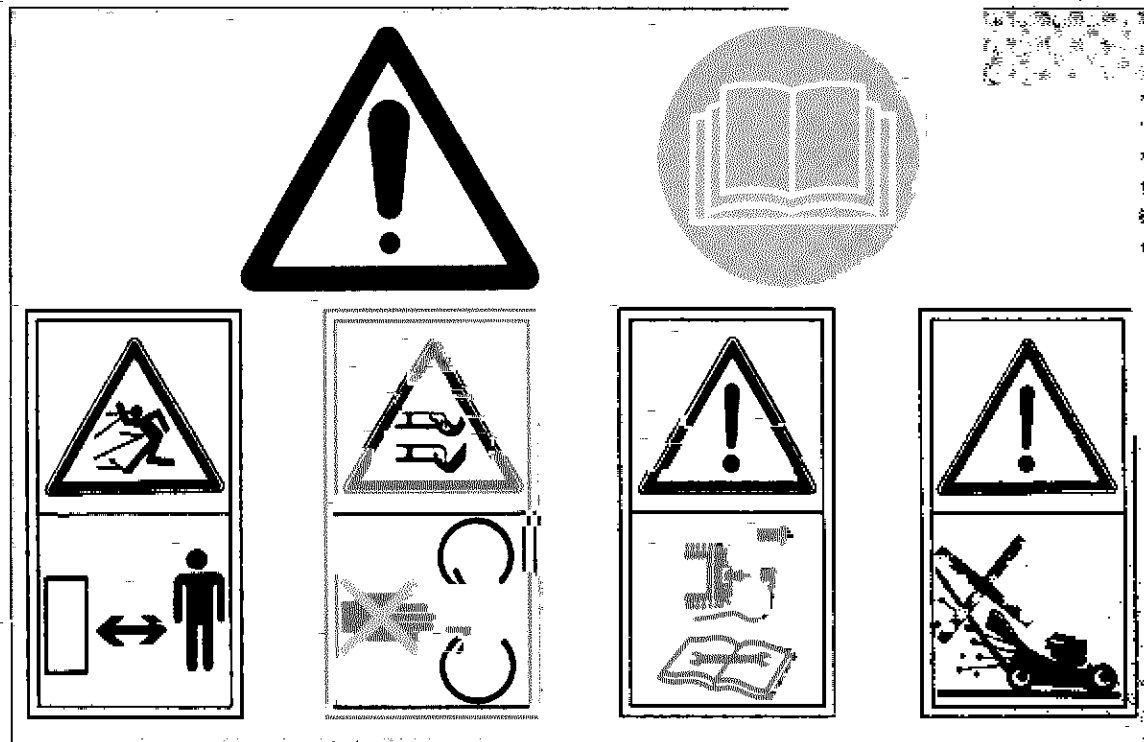
LISTA RICAMBI
SPARE PART LIST
ERSATZTEILLISTE
LISTE DES PIECES DE RECHANGE



SERIE 530 GARDEN PRO 3 M

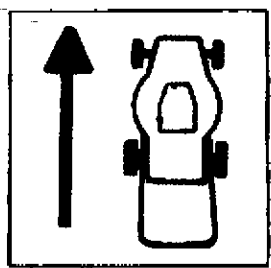
REF. N°	PART. N°	QTY	DESCRIZIONE	DESCRIPTION	DESCRIPTION	BESCHREIBUNG
1	P5140204		DECALCO	DECAL	MARQUAGE	AUFKLEBER
2	P5140203		DECALCO (5320F)	DECAL (5320F)	MARQUAGE (5320F)	AUFKLEBER (5320F)
3	P5140186		DECALCO	DECAL	MARQUAGE	AUFKLEBER
4	P5140334		DECALCO	DECAL	MARQUAGE	AUFKLEBER
5	P5140202		DECALCO	DECAL	MARQUAGE	AUFKLEBER
6	P5140573		DECALCO	DECAL	MARQUAGE	AUFKLEBER
7	P5140574		DECALCO	DECAL	MARQUAGE	AUFKLEBER
*	P5110016		CHIAVE	KEY	CLEF	SCHLÜSSEL
*	P5110008		CHIAVE	KEY	CLEF	SCHLÜSSEL

④



①

GARDEN-PRO
GENERATION II



⑦

③

⑤

3 SPEED

②

6HP OHV
POWERED BY Kawasaki

⑥

STOP



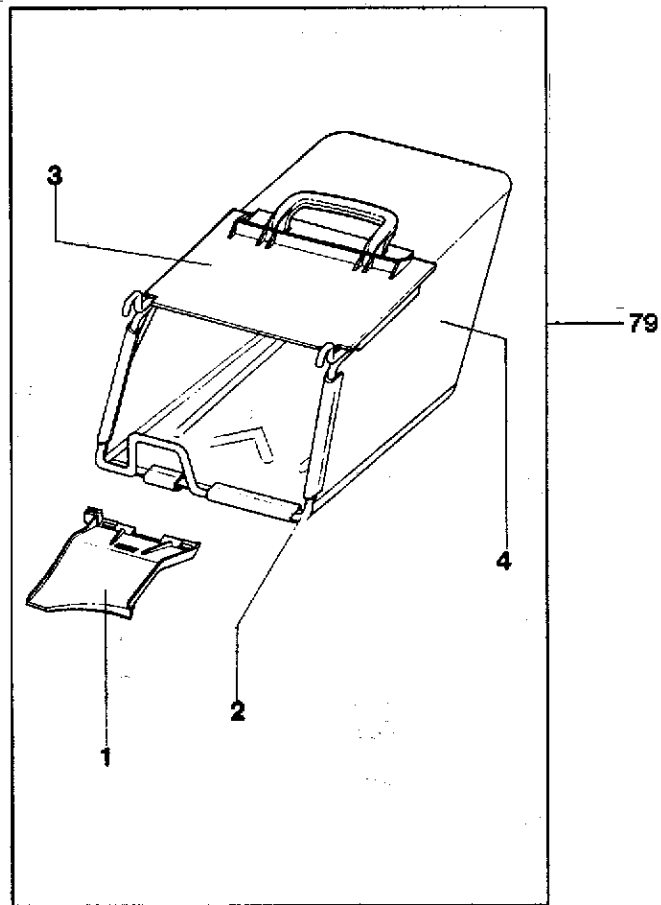
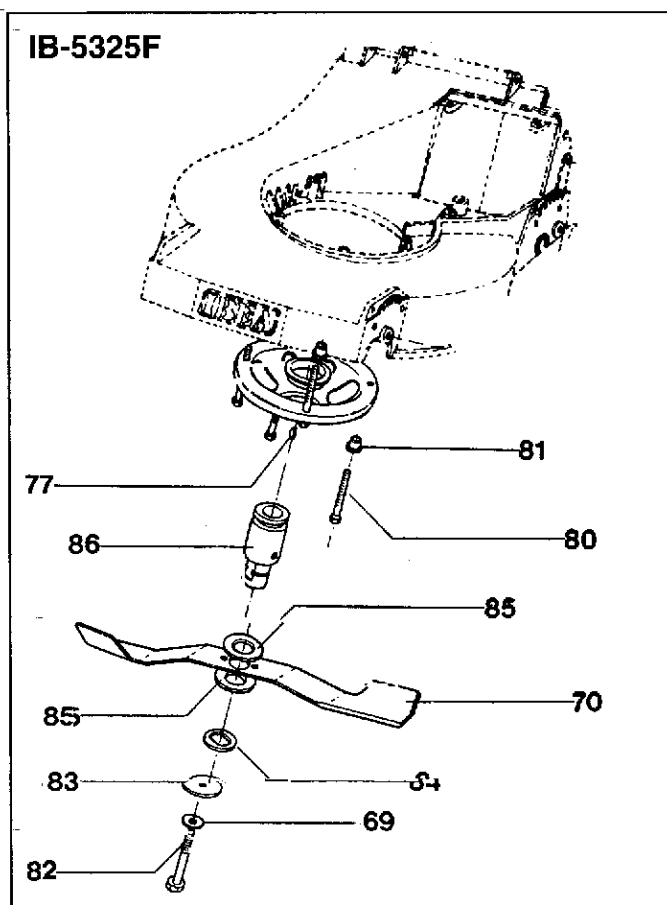
IBEA S.P.A.

Via A. De Gasperi 5
22070 Luisago (CO) - Italia

Tel. 031/92.91.50

Fax 031/92.94.07 - 92.86.07

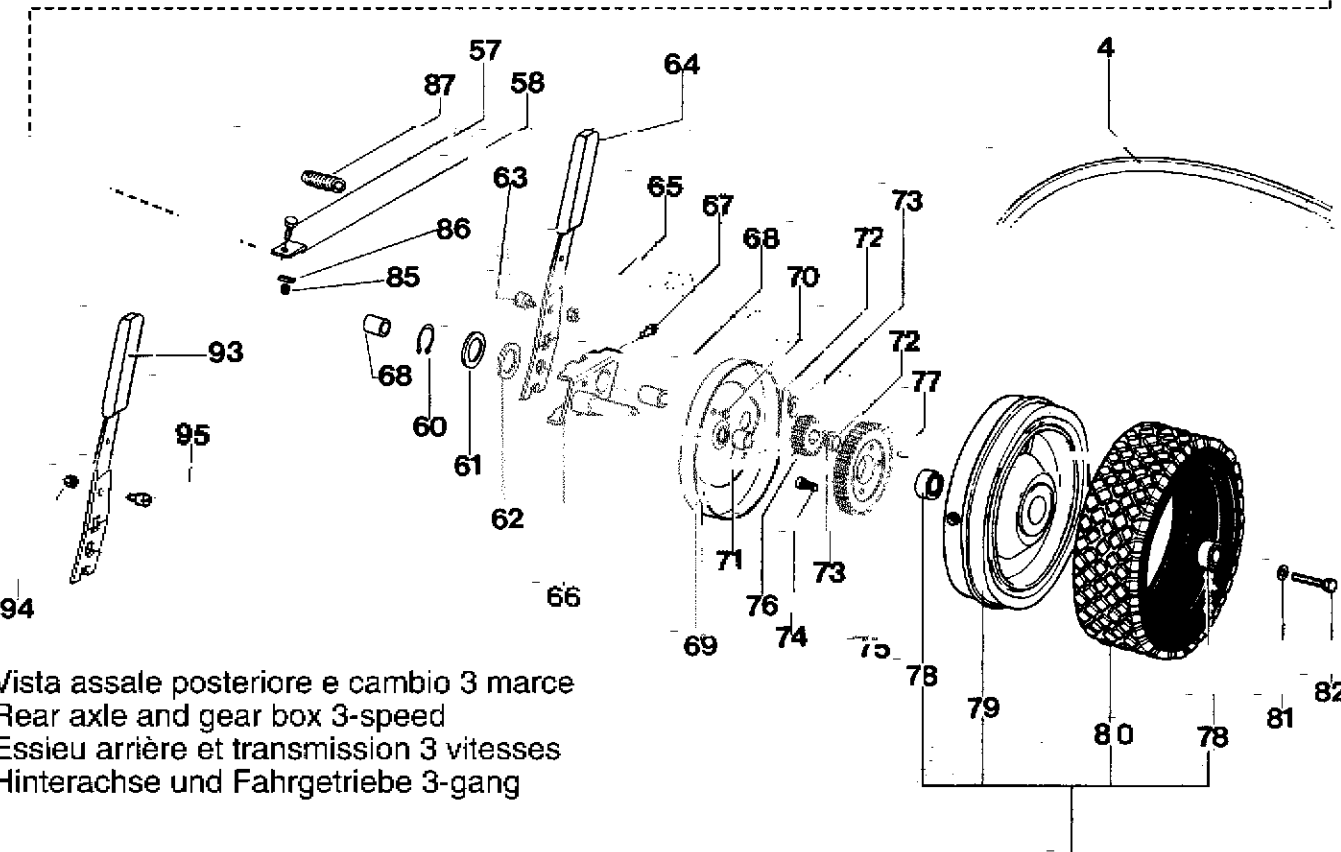
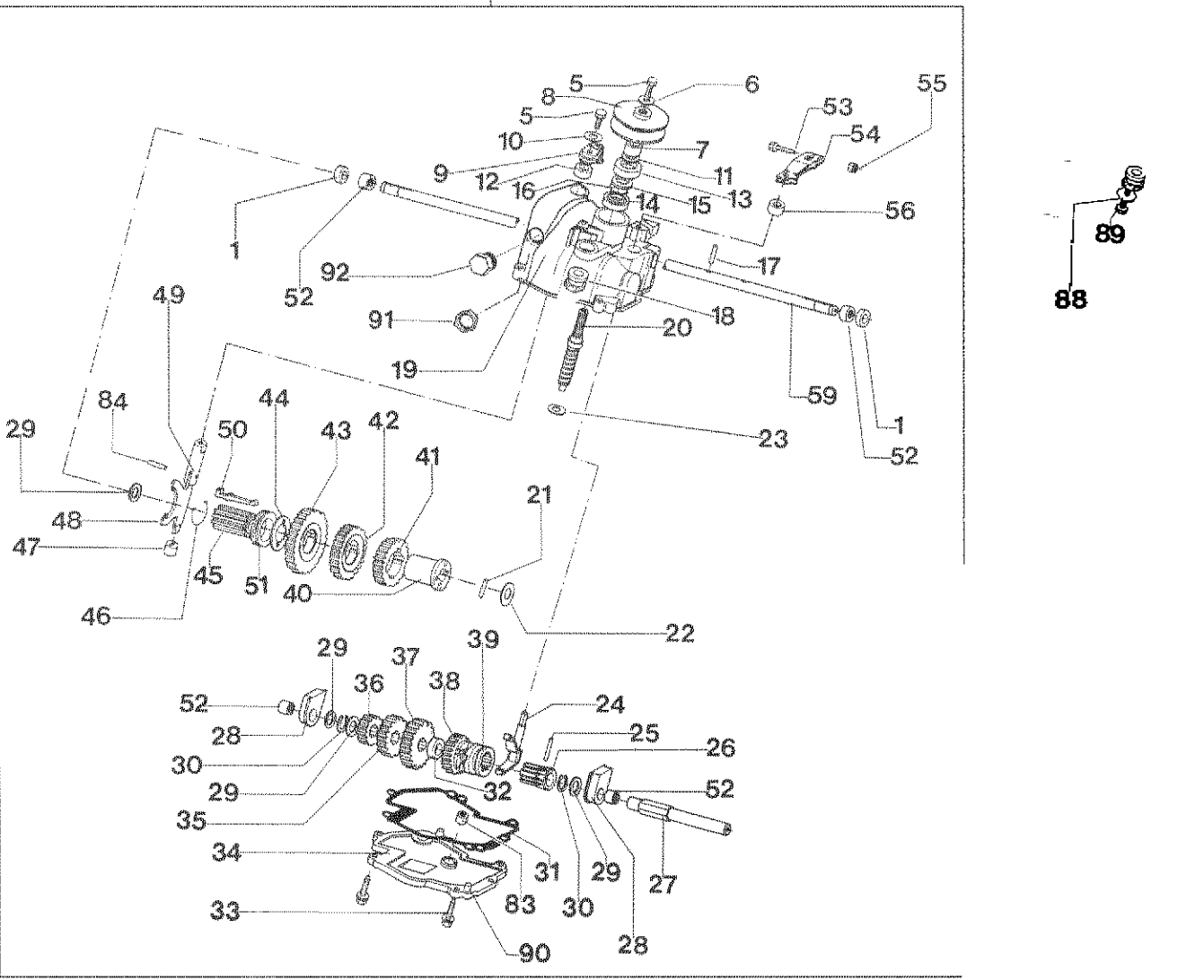
Vista generale
Complete machine
Vue d'ensemble
Gesamtansicht



RIF. N°	PART. N°	QTY	DESCRIZIONE	DESCRIPTION	DESCRIPTION	BESCHREIBUNG
1	P2020187	1	SCIVOLO ERBA	CHUTE DOOR	DÉFLECTEUR	LEITBLECH
2	P00011098	1	TELAIO CESTELLO	BAG FRAME	MONTURE	GESTELL
3	P2020149	1	DEFLETTORE	GRASS DEFLECTOR	DÉFLECTEUR	SCHUTZ
4	P3160043	1	SACCO	GRASS BAG	SAC DE RAMASSAGE	GRASFANGSACK
5	2020050A1	2	GALLETTO	WING NUT	ÉCROU DE FIXATION	GEWINDEBOLZEN
6	P1050011	2	DADO	NUT	ÉCROU	MUTTER
7	P3120095VEN	1	STEGOLA INF.	LOWER HANDLEBAR	GUIDON INFÉRIEUR	HOLMUNTERTEIL
8	1010026A1	2	VITE	SCREW	VIS	SCHRAUBE
9	P1050011	2	DADO	NUT	ÉCROU	MUTTER
10	1020014A1	2	RONDELLA	WASHER	RONDELLE	SCHEIBE
11	P3120096VEN	1	STEGOLA INF.	LOWER HANDLEBAR	GUIDON INFÉRIEUR	HOLMUNTERTEIL
12	P1050011	4	DADO (5325F)	NUT (5325F)	ÉCROU (5325F)	MUTTER (5325F)
13	P3140238	2	DISTANZIALE	SPACER	DOUILLE	ABSTANDSSTÜCK
14	P3020027	2	MOLLA PORTELLO	SPRING	RESSORT	FEDER
15	P2020203	2	TUBO	STRIP	JOINT	DICHTUNG
16	P2020189	1	PORTELLO	SHIELD	PROTECTION	KLAPPE
17	P4010180ZT	1	PROTEZIONE	SHIELD	PROTECTION	SCHUTZ
18	P1020090	8	RIVETTO	RIVET	RIVET	NIET
19	P1010119	2	VITE	SCREW	VIS	SCHRAUBE
20	1020009A1	2	RONDELLA	WASHER	RONDELLE	SCHEIBE
21	P2020146	2	COPERTONE	TYRE	PNEU	REIFEN
22	P01015152	2	CERCHIONE	FRONT HUB	JANTE ANT.	VORDERFELGE

REF. N°	PART. N°	QTY	DESCRIZIONE	DESCRIPTION	DESCRIPTION	BESCHREIBUNG
23	P3030018	4	CUSCINETTO	BEARING	PALIER	LAGER
24	P1010123	2	VITE	SCREW	VIS	SCHRAUBE
25	P3040118	2	BUSSOLA	BUSHING	DOUILLE	BÜCHSE
26	P4020030	2	PORTA RUOTA ANT.	FRONT WHEEL SUPPORT	SUPPORT ROUE ANT.	RADHALTER
27	P00046252		LEVA ANT. SX	LEFT WHEEL LEVER	LEVIER ROUE GAUCHE	RADHEBEL L.
28	P1010079	2	VITE	SCREW	VIS	SCHRAUBE
29	P1010122	2	VITE	SCREW	VIS	SCHRAUBE
30	5040001A1	2	FASCETTA	CLAMP	CLAMP	RAPBAND
31	P2020087	2	COLLARE	RING	BAGUE	RING
32	P01032452	2	PIASTRA	PLATE	PLAQUE	PLATTE
33			MOTORE	MOTOR	MOTEUR	MOTOR
34	P1010070	2	VITE	SCREW	VIS	SCHRAUBE
35	P1010082	2	VITE	SCREW	VIS	SCHRAUBE
36	P2020188		COPRICINGHIA	BELT COVER	PROTECTION	KEILRIEMEN
37	P1060004	2	FISSATORE	WASHER	RONDELLE	SCHEIBE
38	P1080018	2	PERNO	PIN	GOUPILLE	STIFT
39	P000050101		SCOCCA	MOWERDECK	CHÂSSIS	GEHÄUSE
40	P01032552	2	PIASTRA	PLATE	PLAQUE	PLATTE
41	P3040199	2	PIOLINO	PIN	GOUPILLE	STIFT
42	P00046452		LEVA ANT. DX	RIGHT WHEEL LEVER	LEVIER ROUE DROITE	RADHEBEL R.
43	1050002A1	2	DADO	NUT	ÉCROU	MUTTER
44	P01032298	1	TRAVERSINO	BRACE	RENFORCEMENT	VERSTEIFUNG
45	1010025A1	4	VITE	SCREW	VIS	SCHRAUBE
46	P1020077	12	RIVETTO	RIVET	RIVET	NIET
47	P3040133	8	BUSSOLA	BUSHING	DOUILLE	BÜCHSE
48	P3040220	4	DISTANZIALE	SPACER	DOUILLE	DISTANZBÜCHSE
49	P02070852		PARAURTI	BUMPER	PARE-CHOC	STOßSTANGE
50	P1050012	2	DADO	NUT	ÉCROU	MUTTER
51	P3040126		BRONZINA	BUSHING	DOUILLE	BÜCHSE
52	P4010164ZN		FLANGIA GUIDA	SHAFT FLANGE	JOINT DE TRANSMISSION	FLANSCHWELLE
53	P1010116	3	VITE (5320F)	SCREW (5320F)	VIS (5320F)	SCHRAUBE (5320F)
54	P1010169		VITE (5320F)	SCREW (5320F)	VIS (5320F)	SCHRAUBE (5320F)
55	P1020067	4	RONDELLA (5320F)	WASHER (5320F)	RONDELLE (5320F)	SCHEIBE (5320F)
56	1090001A1		CHIAVETTA (5320F)	KEY (5320F)	CLAVETTE (5320F)	SCHEIBENFEDER (5320F)
57	P3040119	2	BUSSOLA	BUSHING	DOUILLE	BÜCHSE
58	P1020095ZT	4	RONDELLA	WASHER	RONDELLE	SCHEIBE
59	P1010018	6	VITE	SCREW	VIS	SCHRAUBE
60	P01082352		RINFORZO INTERNO	REINFORCEMENT	RENFORT	VERSTÄRKUNG
61	P01082252	2	RINFORZO LATERALE	REINFORCEMENT	RENFORT	VERSTÄRKUNG
62	P1130003		GRANO (5320F)	DOWEL (5320F)	CHEVILLE (5320F)	DÜBEL (5320F)
63	P1070012		SEEGER (5320F)	CIRCLIP (5320F)	SEEGER (5320F)	SEEGER (5320F)
64	P1020087	3	MOLLA (5320F)	SPRING (5320F)	RESSORT (5320F)	FEDER (5320F)
65	P1080017	2	SPINA (5320F)	PIN (5320F)	GOUPILLE (5320F)	STIFT (5320F)
66	P3170016	2	FERODO (5320F)	WASHER (5320F)	RONDELLE (5320F)	SCHEIBE (5320F)
67	P3040243		RONDELLA	WASHER	RONDELLE	SCHEIBE
68	P1010159		VITE LAMA (5320F)	BLADE SCREW (5320F)	VIS DE COUTEAU (5320F)	MESSERSCHRAUBE (5320F)
69	P1020067		RONDELLA	WASHER	RONDELLE	SCHEIBE
70	P4050030		LAMA	BLADE	COUTEAU	MESSER
71	P3040242		BUSSOLA LAMA (5320F)	BLADE BUSHING (5320F)	DOUILLE DE COUTEAU (5320F)	MESSERBÜCHSE (5320F)
72	P4010162		RONDELLA (5320F)	WASHER (5320F)	RONDELLE (5320F)	SCHEIBE (5320F)
73	P4010163		RASAMENTO (5320F)	SPACER (5320F)	DOUILLE (5320F)	SCHEIBE (5320F)
74	P3040240		PULEGGIA (5320F)	PULLEY (5320F)	POULIE (5320F)	RIEMENSCHLEIBE (5320F)
75	1050002A1	2	DADO	NUT	ÉCROU	MUTTER
76	P00015652	2	RUOTA ANT. COMPL.	FRONT WHEEL ASS.Y	ROUE ANT. COMPL.	RAD KOMP.
77	P1090007	1	CHIAVETTA (5325F)	KEY (5325F)	CLAVETTE (5325F)	SCHEIBENFEDER (5325F)
78	P1020108	2	MOLLA	SPRING	RESSORT	FEDER
79	P000100101		CESTELLO COMPLETO	GRASS BAG ASS.Y	SAC DE RAMASSAGE COMP.	GRASFANGSACK KOMP.
80	P1010097	4	VITE (5325F)	SCREW (5325F)	VIS (5325F)	SCHRAUBE (5325F)
81	P3040321	4	BUSSOLA (5325F)	BUSHING (5325F)	DOUILLE (5325F)	BÜCHSE (5325F)
82	P1010212		VITE LAMA (5325F)	BLADE SCREW (5325F)	VIS DE COUTEAU (5325F)	MESSERSCHRAUBE (5325F)
83	1110002A1		MOLLA (5325F)	SPRING (5325F)	RESSORT (5325F)	FEDER (5325F)
84	P40100162		RONDELLA (5325F)	WASHER (5325F)	RONDELLE (5325F)	SCHEIBE (5325F)
85	P3170019	2	FERODO (5325F)	WASHER (5325F)	RONDELLE (5325F)	SCHEIBE (5325F)
86	P3040317		BUSSOLA LAMA (5325F)	BLADE BUSHING (5325F)	DOUILLE DE COUTEAU (5325F)	MESSERBÜCHSE (5325F)

2
3
97

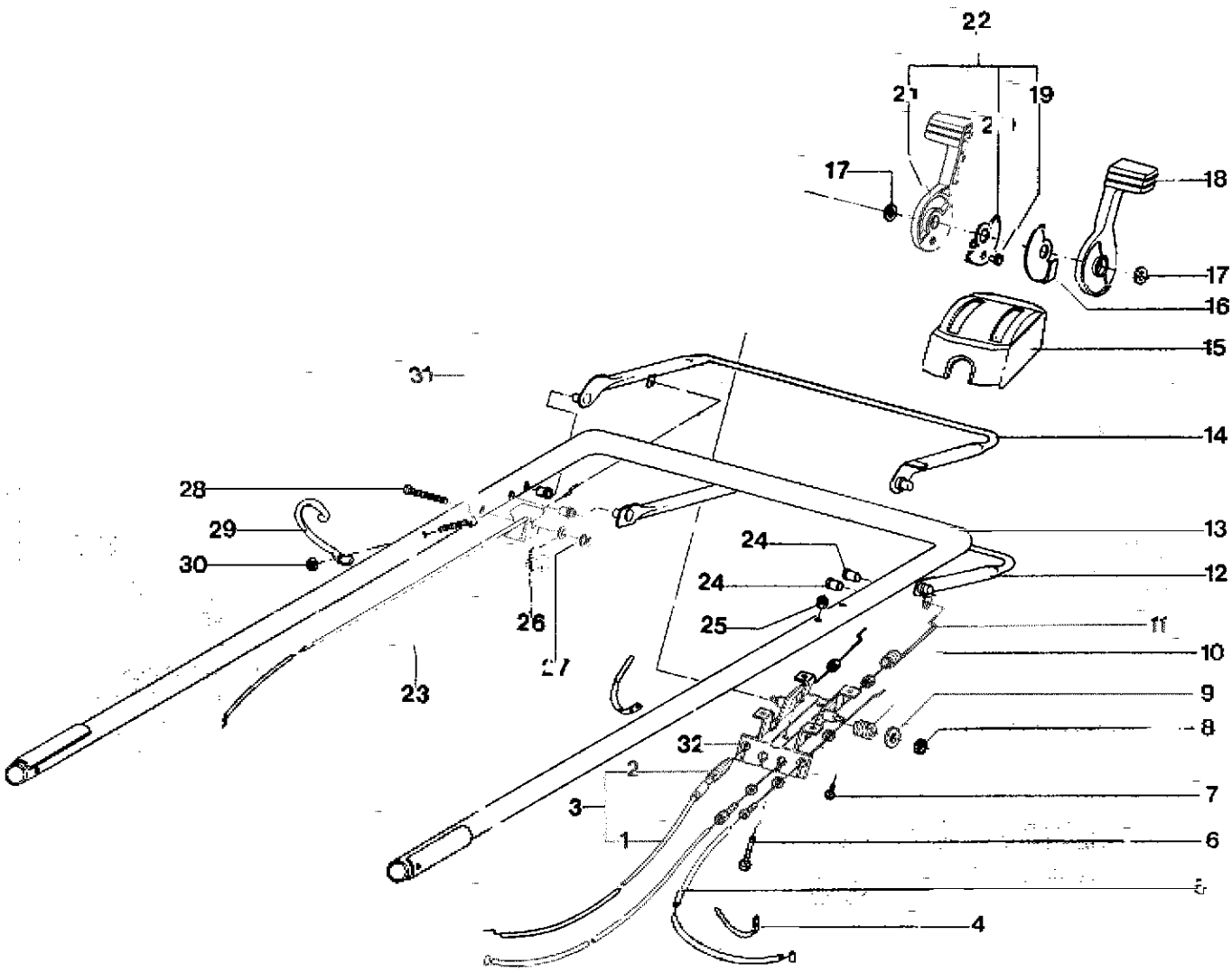


Vista assale posteriore e cambio 3 marce
Rear axle and gear box 3-speed
Essieu arrière et transmission 3 vitesses
Hinterachse und Fahrgetriebe 3-gang

REF. N°	PART. N°	QTY	DESCRIZIONE	DESCRIPTION	DESCRIPTION	BESCHREIBUNG
	P3170011	2	ANELLO DI TENUTA	OIL SEAL	JOINT D'ARBRE	WELLENDICHRING
2	P4010124		COPERCHIO	COVER	COUVERCLE	FEDERHALTER
3	1010018A1		VITE	SCREW	VIS	SCHRAUBE
4	P3010020		CINGHIA	TRANSMISSION BELT	COURROIRE DE TRANS.	RIEMEN
5	1010018A1	2	VITE	SCREW	VIS	SCHRAUBE
6	1020007A1		RONDELLA	WASHER	RONDELLE	SCHIBE
7	P3040049		BUSSOLA	BUSHING	DOUILLE	BÜCHSE
8	P3040244		PULEGGIA	PULLEY	POULIE	RIEMENSCHIBE
9	P2020162		LEVA	LEVER	LEVIER	HEBEL
10	1020007A1		RONDELLA	WASHER	RONDELLE	SCHEIBE
11	P3170013		O-RING	SPACER	DOUILLE	ABSTANDSSTÜCK
12	P3170011		ANELLO DI TENUTA	OIL SEAL	JOINT D'ARBRE	WELLENDICHRING
13	P3170010		ANELLO DI TENUTA	OIL SEAL	JOINT D'ARBRE	WELLENDICHRING
14	P3030010		CUSCINETTO	BEARING	PALIER	LAGER
15	P1020079		RASAMENTO	SPACER	DOUILLE	ABSTANDSSTÜCK
16	P1070004		SEEGER	CIRCLIP	SEEGER	SEEGER
17	P1080015		SPINA	PIN	GOUPILLE	STIFT
18	P2040010		GOMMINO	RUBBER TUBE	TUBE DE PROTECTION	SCHUTZHÜLLE
19	P00039320		SCATOLA CAMBIO	GEAR BOX	BOÎTE DE VITESSE	GETRIEBE
20	P3040207		VITE	SCREW	VIS	SCHRAUBE
21	P1080007		SPINA	PIN	GOUPILLE	STIFT
22	P1020079		RASAMENTO	SPACER	DOUILLE	ABSTANDSSTÜCK
23	P1020053		RONDELLA	SPACER	DOUILLE	ABSTANDSSTÜCK
24	P3040041		FORCELLA	FORK	FOURCHE	GABEL
25	P1080013		SPINA	PIN	GOUPILLE	STIFT
26	P00065452		BUSSOLA	BUSHING	DOUILLE	BÜCHSE
27	P3040205		ALBERO	SHAFT	ARBRE	WELLE
28	P3050037	2	SUPPORTO	SUPPORT	SUPPORT	HALTER
29	1020020A1	3	RONDELLA	WASHER	RONDELLE	SCHEIBE
30	1070001A1	2	SEEGER	CIRCLIP	SEEGER	SEEGER
31	P3170015		GUARNIZIONE	GASKET	JOINT	DICHTUNG
32	P3040206		DISTANZIALE	SPACER	DOUILLE	DISTANZBÜCHSE
33	P3010155	6	VITE	SCREW	VIS	SCHRAUBE
34	P00039520		COPERCHIO	COVER	PROTECTION	ABDECKUNG
35	P3050041		INGRANAGGIO	GEAR	ENGRANAGE	STIRNRAD
36	P3050040		INGRANAGGIO	GEAR	ENGRANAGE	STIRNRAD
37	P3050042		INGRANAGGIO	GEAR	ENGRANAGE	STIRNRAD
38	P00038119		RUOTA DENT.	GEAR	ENGRANAGE	STIRNRAD
39	P00037952		INNESTO DESTRO	SELECTOR COLLAR	MANCHON	SCHALTBÜCHSE
40	P3050038		BUSSOLA	BUSHING	DOUILLE	BÜCHSE
41	P3050045		INGRANAGGIO	GEAR	ENGRANAGE	STIRNRAD
42	P3050044		INGRANAGGIO	GEAR	ENGRANAGE	STIRNRAD
43	P3050043		INGRANAGGIO	GEAR	ENGRANAGE	STIRNRAD
44	P4010121		DISCHETTO TEMPRATO	TEMPERED RING	BAGUE EN ACIER	RING GEHÄRTET
45	P2020161		BUSSOLA	BUSHING	DOUILLE	BÜCHSE
46	P3020024		ANELLO	CIRCLIP	SEEGER	SEEGER
47	P3050046		GUIDA LEVA INF.	LOWER LEVER GUIDE	GUIDE INF. DE LEVIER	UNTERE FÜHRUNG
48	P4010122		LEVA SPINGILINGUETTA	THRUST LEVER	LEVIER DE BUTÉE	ANLAUFHEBEL
49	P3040216		GUIDA LEVA SUP.	UPPER LEVER GUIDE	GUIDE SUP. DE LEVIER	OBERE FÜHRUNG
50	P3050039	2	LINGUETTA SELETRICE	SELECTOR TAB	PATTE DE SELECTEUR	SCHALTFINGER
51	P3040204		ANELLO SPINGILINGUETTA	THRUST RING	BAGUE DE BUTÉE	ANLAUFRING
52	P3030020	4	CUSCINETTO	BEARING	PALIER	LAGER
53	P1010157		VITE	SCREW	VIS	SCHRAUBE
54	P4010123		LEVA DI TRAZIONE	TRACTION LEVER	LEVIER DE TRACTION	ANTRIEBSHEBEL
55	1050002A1		DADO	NUT	ÉCROU	MUTTER
56	P3170012		ANELLO DI TENUTA	OIL SEAL	JOINT D'ARBRE	WELLENDICHRING
57	1010018A1		VITE	SCREW	VIS	SCHRAUBE
58	P4010125		CERCHIO	COVER	COUVERCLE	DECKEL
59	P3040293		ALBERO TRAZIONE	DRIVE SHAFT	ARBRE DE TRACTION	ANTRIEBSWELLE
60	P1070011	2	SEEGER	CIRCLIP	SEEGER	SEEGER
61	P3040121	2	DISTANZIALE	SPACER	DOUILLE	DISTANZBÜCHSE
62	P1020057	2	RONDELLA	SPACER	DOUILLE	ABSTANDSSTÜCK
63	P3040199	2	PIOLINO	PIN	GOUPILLE	STIFT

REF. N°	PART. N°	QTY	DESCRIZIONE	DESCRIPTION	DESCRIPTION	BESCHREIBUNG
64	P00046352		LEVA POST. SX	LEFT REAR WHEEL LEVER	LEVIER ROUE POST. GAUCHE	RADHEBEL L.
65	1050002A1		DADO	NUT	ÉCROU	MUTTER
66	P4020122	2	PORTA RUOTA POST.	REAR WHEEL SUPPORT	SUPPORT ROUE POST.	RADHALTER
67	P1010143	2	INGRASSATORE	GREASE FITTING	GRAISSEUR	SCHMIERER
68	3030003A1	4	CUSCINETTO	BEARING	PALIER	LAGER
69	P01084952	2	COPRIRUOTA	WHEEL COVER	PROTECTION DE ROUE	RADABDECKUNG
70	P1020086	2	RIVETTO	RIVET	RIVET	NIET
71	P3040120	2	DISTANZIALE	SPACER	DOUILLE	STANDBÜCHSE
72	1070001A1	4	SEEGER	CIRCLIP	SEGER	SEEGER
73	1020020A1	4	RONDELLA	WASHER	RONDELLE	SCHEIBE
74	P1010121	4	VITE	SCREW	VIS	SCHRAUBE
75	P3050033	2	RUOTA DENTATA	WORM GEAR	COURONNE	KRONRAD
76	P3050034	2	PIGNONE	PINION	PIGNON	RITZEL
77	P1080010	4	SPINA	PIN	GOUPILLE	STIFT
78	P3030018	4	CUSCINETTO	BEARING	PALIER	LAGER
79	P01015252	2	CERCHIONE	REAR HUB	JANTE POST.	HINTERFELGE
80	P2020146	2	COPERTONE	TYRE	PNEU	REIFEN
81	1020009A1	2	RONDELLA	WASHER	RONDELLE	SCHEIBE
82	P1010119	2	VITE	SCREW	VIS	SCHRAUBE
83	P3030019		CUSCINETTO	BEARING	PALIER	LAGER
84	P10180016		SPINA	PIN	GOUPILLE	STIFT
85	P3020019	2	MOLLA	SPRING	RESSORT	FEDER
86	P1090005	2	CHIAVETTA	KEY	CLAVETTE	SCHEIBENFEDER
87	P3020028		MOLLA RICHIAMO LEVA	TRACTION SPRING	CLAVETTE	SCHEIBENFEDER
88	P1020054		RONDELLA	WASHER	RONDELLE	SCHEIBE
89	P1010173		VITE	SCREW	VIS	SCHRAUBE
90	P1080014	2	SPINA	PIN	GOUPILLE	STIFT
91	P3040264		GHIERA PER INDICATORE	COLLAR	FRETTE	ZWINGE
92	P5060003		INDICATORE OLIO	OIL LEVEL INDICATOR	INDICATEUR NIVEAU D'HUILE	ÖLSTANDANZEIGER
93	P00046552		LEVA POST. DX	RIGHT REAR WHEEL LEVER	LEVIER ROUE POST. DROITE	RADHEBEL R.
94	1050002A1		DADO	NUT	ÉCROU	MUTTER
95	P3040199	1	PIOLINO	PIN	GOUPILLE	STIFT
96	P00015752	1	RUOTA COMPLETA	REAR WHEEL ASS.Y	ROUE POST. COMPL.	HINTERRAD KOMP.
97	P00078720		CAMBIO 3 MARCE COMP	GEAR BOX 3 SPEED ASS.Y	TRANSMISSION 3 VIT. COMPL.	FAHRGETRIEBE 3-GANG KOMP.

Stegola superiore e comandi
Upper handle and controls
Guidon supérieur et éléments de commande
Lenkeroberteil und Bedienungselemente



REF. N°	PART. N°	QTY	DESCRIZIONE	DESCRIPTION	DESCRIPTION	BESCHREIBUNG
1	P5010037	1	CAVO SELETTOR MARCE	SHIFT CABLE	CÂBLE DE COMMANDE	SCHALKABEL
2	P5060010	1	SOFFIETTO	PROTECTION	PROTECTION	SCHUTZ
3	P5010067	1	CAVO SELETT. + SOFFIETTO	SHIFT CABLE + PROTECTION	CÂBLE DE COMM. + PROT.	SCHALKABEL + SCHUTZ
4	5040001A1	2	FASCETTA	CLAMP	COLLIER	RAPBAND
5	P5020064	1	CAVO ACC. (5320F)	THROTTLE CABLE (5320F)	CÂBLE DE GAZ (5320F)	GASKABEL (5320F)
5	P5020051	1	CAVO ACC. (5325F)	THROTTLE CABLE (5325F)	CÂBLE DE GAZ (5325F)	GASKABEL (5325F)
6	P1010102	2	VITE	SCREW	VIS	SCHRAUBE
7	P1010061	4	VITE	SCREW	VIS	SCHRAUBE
8	1050003A1	2	DADO	NUT	ÉCROU	MUTTER
9	1020007A1	2	RONDELLA	WASHER	RONDELLE	SCHEIBE
10	P3020026	2	MOLLA	SPRING	RESSORT	FEDER
11	P5010047		CAVO TRAZIONE	TRACTION CABLE	CÂBLE DE TRACTION	ANTRIEBSKABEL
12	P3120071VE		MANIGLIA TRAZ.	TRACTION LEVER	POIGNÉE DE TRACTION	ANTRIEBSHEBEL
13	P3120102VE		STEGOLA SUPERIORE	UPPER HANDLEBAR	GUIDON SUPÉRIEUR	OB. FÜHRUNGSHOLM
14	P4080035VE		MANIGLIA SYSTEM 2	SYSTEM 2 LEVER	LEVIER SYSTEM 2	SYSTEM 2 HEBEL
15	P2020065		SCATOLA COMANDI	CONTROL HOUSING	BOÎTE DE COMMANDE	STEUERGEHÄUSE
16	P4020147ZN		PIASTRINA (5320F)	PLATE (5320F)	PLAQUE (5320F)	PLATTE (5320F)
16	P4020127		PIASTRINA (5325F)	PLATE (5325F)	PLAQUE (5325F)	PLATTE (5325F)
17	P1020085	2	RASAMENTO	SPACER	DOUILLE	ABSTANDSTÜCK
18	P2020168		LEVA ACCELERATORE	THROTTLE LEVER	LEVIER DE GAZ	GAŠHEBEL
19	P1020091		RIVETTO	RIVET	RIVET	NIET
20	P4020126		PIASTRINA	PLATE	PLAQUE	PLATTE
21	P2020167		LEVA CAMBIO	SHIFT LEVER	LEVIER DE COMMANDE	SCHALTERHEBEL
22	P00744998		LEVA CAMBIO COMPLETA	SHIFT LEVER COMP.	ENS. LEVIER DE COMMAND	HEBELSATZ KPL.
23	P5010046		CAVO SYSTEM 2 (5320F)	SYSTEM 2 CABLE (5320F)	CABLE SYSTEM 2 (5320F)	SYSTEM 2 KABEL (5320F)
23	P5010070		CAVO SYSTEM 2 (5325F)	SYSTEM 2 CABLE (5325F)	CABLE SYSTEM 2 (5325F)	SYSTEM 2 KABEL (5325F)
24	P3040123	4	BUSSOLA	BUSHING	DOUILLE	BÜCHSE
25	1050003A1		DADO	NUT	ÉCROU	MUTTER
26	10200013A1		RONDELLA	WASHER	RONDELLE	SCHEIBE
27	1050003A1		DADO	NUT	ÉCROU	MUTTER
28	P1010126		VITE	SCREW	VIS	SCHRAUBE
29	P01068343		SUPPORTO A RICCILO	STARTER HOLDER	SUPPORT	HALTER
30	1050002A1		DADO	NUT	ÉCROU	MUTTER
31	1010002A1		VITE	SCREW	VIS	SCHRAUBE
32	P4020125Z1		PORTA SCATOLA COM.	CONTROL HOUSING SUPPORT	SUPPORT BOÎTE DE COMPL.	HALTER FÜR STEUERGEHÄUSE

Vista generale
Complete machine
Vue d'ensemble
Gesamtansicht

