

IBEA

Serie: dal n. 911850

Stampato n. P5090020

IR-5326

LISTA RICAMBI

SPARE PART LIST

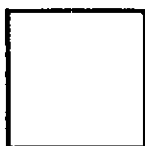
ERSATZTEILLISTE

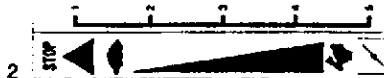

LISTE DES PIÈCES DE RECHANGE



TOSAERBA
SERIE 530

mod. ENDURO
mod. COUNTRY
mod. VARIOMAT



WARNING DANGER!
Braid rotates when engine is running. Only use the mower with grass catcher in place or with safety chute door closed. Disconnect ignition wire from spark plug before performing any repairs or maintenance to the machine.

ATTENZIONE PERICOLO!
La lama gira quando il motore è in moto. Usare il mowebra soltanto con il sacco di raccolta montato oppure con il pannello di sicurezza chiuso. Prima di ogni riparazione o manutenzione sfilare il cavo di accensione dalla candela.

VORSICHT, GEFAHR!
Rotierende Messer bei laufendem Motor! Benutzen Sie den Mäher nur mit dem Mähwerk! Grassammelvorrichtung oder geschlossene Schutzklappe vor Reparatur oder Servicearbeiten am Mäher unbedingt! Zündkabel von Zündkerze entfernen!

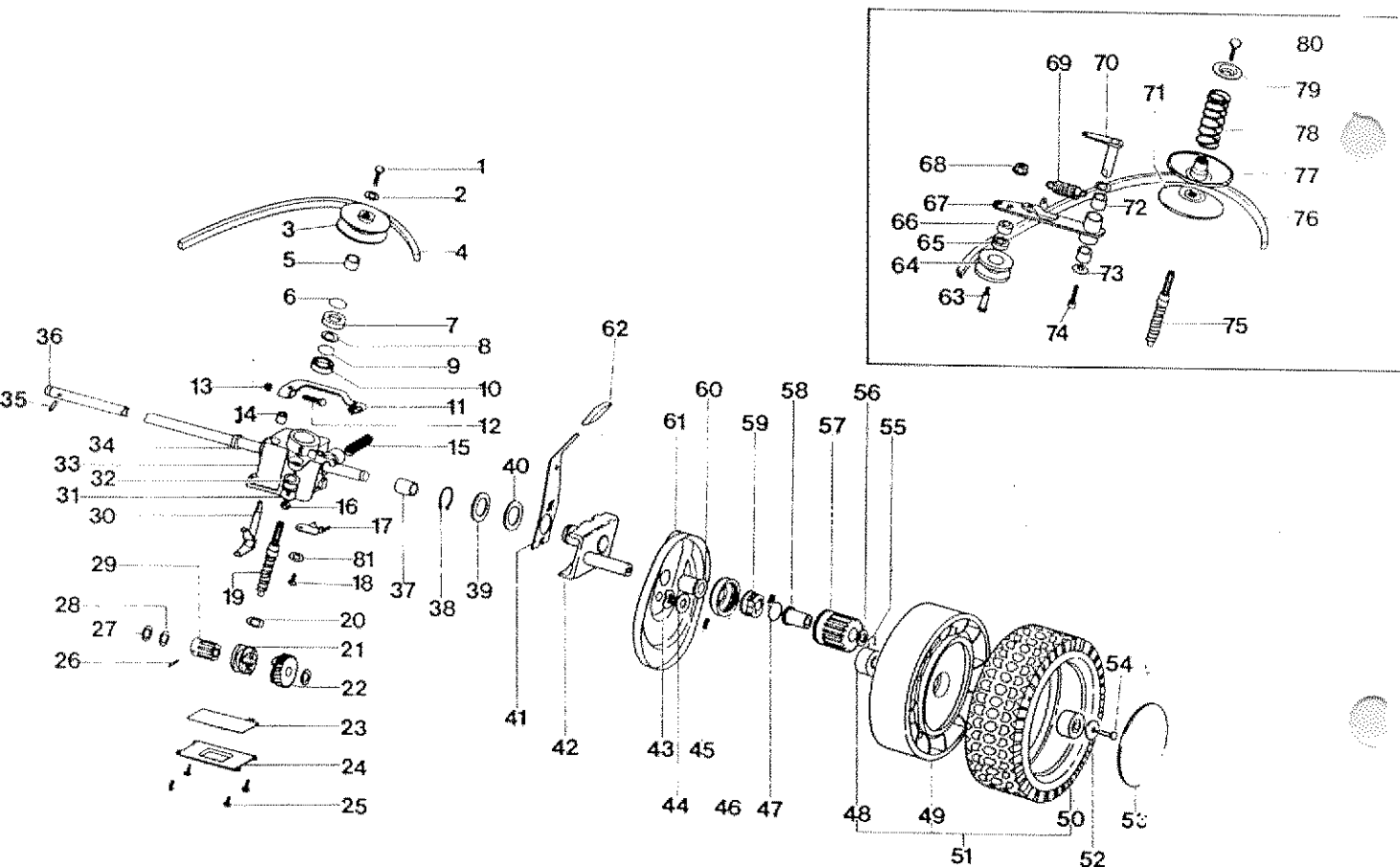
ATTENTION DANGER!
Couteau en rotation lorsque le moteur marche! N'utilisez la tondeuse qu'avec le collecteur à l'air ou le porte à l'air fermé. Avant de faire une réparation ou des travaux de service à la tondeuse, il faut absolument débrancher le câble d'allumage de la bougie.



REF. N°	PART. N°	QTY	DESCRIZIONE	DESCRIPTION	DESCRIPTION	BESCHREIBUNG
1	P5140105	1	DECALCO	LABEL	MARQUAGE	AUFKLEBER
2	P5140104	1	DECALCO	LABEL	MARQUAGE	AUFKLEBER
3	P5140439	1	DECALCO	LABEL	MARQUAGE	AUFKLEBER
4	P5140459	1	DECALCO	LABEL	MARQUAGE	AUFKLEBER
5	P5140479	1	DECALCO	LABEL	MARQUAGE	AUFKLEBER
6	P5140516	1	DECALCO	LABEL	MARQUAGE	AUFKLEBER
7	P5140515	1	DECALCO	LABEL	MARQUAGE	AUFKLEBER
8	P5140503	1	DECALCO	LABEL	MARQUAGE	AUFKLEBER
9	P5140109	1	DECALCO	LABEL	MARQUAGE	AUFKLEBER
10	P5140110	1	DECALCO	LABEL	MARQUAGE	AUFKLEBER
*	P5090013	1	MANUALE ISTRUZIONI	INSTRUCTION MANUAL	MODE D'EMPLOI	BEDIENUNGSANLEITUNG
*	P5110008	1	CHIAVE CANDELA 21	KEY 21	CLEF 21	SCHLUESSEL 21
*	P2020138	1	TARGHETTA IBEA PER PORTELLO	IBEA PLAQUE	IBEA PLAQUE	IBEA AUFKLEBER

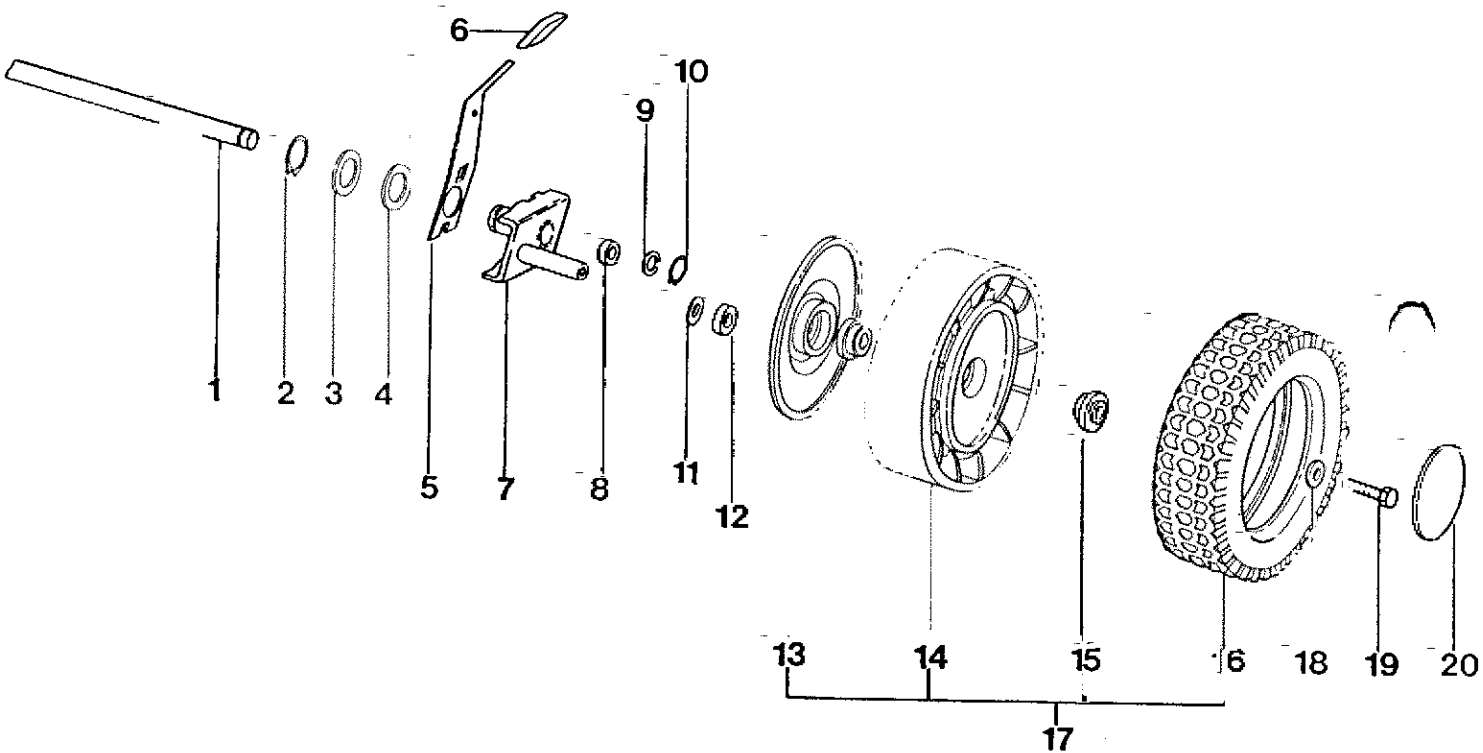
REF. N°	PART. N°	QTY	DESCRIZIONE	DESCRIPTION	DESCRIPTION	BESCHREIBUNG
1		1	TELAIO	BAG FRAME	MONTURE	GESTELL
2		1	DEFLETTORE	SHIELD	PLAQUE DE PROTECTION	SCHUTZ
3		1	SACCO	BAG	SAC RAMASSE GAZON	GRASFANGSACK
4		1	MOLLA	SPRING	RESSORT	FEDER
5		1	CAVO	CABLE	CABLE	KABEL
6		3	DADO	NUT	ECROU	MUTTER
7		1	MOTORE	ENGINE	MOTEUR	MOTOR
8				SEE TABLE 4/5/6/7	VOIR TABLE 4/5/6/7	SIEHE TABELLE 4/5/6/7
9		1	ASTA REGOLAZIONE	SHAFT	ARBRE	ACHSE
10		2	GALLETTO	KNOB	POIGNÉE	MUTTER
11		2	DADO	NUT	ECROU	MUTTER
12		1	MOLLA	SPRING	RESSORT	FEDER
13		2	STARLOCK	STARLOCK	STARLOCK	STARLOCK
14		1	PORTELLO	SHIELD	PROTECTION	KLAPPE
15		mt.0.50	GUARNIZIONE	STRIP	JOINT	DICHTUNG
16		2	COPRIMOZZO	COVER	COUVERCLE	DECKEL
17		2	VITE	SCREW	VIS	SCHRAUBE
18		2	RONDELLA	WASHER	RONDELLE	SCHEIBE
19		2	COPERTONE	TYRE	PNEU	REIFEN
20		4	CUSCINETTO	BEARING	PALIER	LAGER
21		2	CERCHIO	WHEEL HUB	JANTE	FELGE
22		2	COPRIRUOTA	WHEEL COVER	PROTECTION	ABDECKUNG
23		2	DISTANZIALE	SPACER	DOUILLE	ABSTANDSSTUECK
24		2	RONDELLA	WASHER	RONDELLE	SCHEIBE
25		2	PORTA RUOTA ANT.	FRONT WHEEL SUPPORT	SUPPORT ROUE ANT	RADHALTER
26		2	VITE	SCREW	VIS	SCHRAUBE
27		2	BUSSOLA	BUSHING	DOUILLE	BUECHSE
28		2	DISTANZIALE	SPACER	DOUILLE	ABSTANDSSTUECK
29		1	ASTINA	SHAFT	ARBRE	ACHSE
30		2	VITE GODRONATA	SCREW	VIS	SCHRAUBE
31		1	VITE	SCREW	VIS	SCHRAUBE
32		1	RONDELLA	WASHER	RONDELLE	SCHEIBE
33		2	POMELLO PER LEVA	KNOB	POIGNÉE	ABDECKUNG
34		2	VITE GODRONATA	SCREW	VIS	SCHRAUBE
35		1	LEVA ALZA RUOTA SX	LEFT WHEEL LEVER	LEVIER ROUE GAUCHE	RADHEBEL L.
35		1	LEVA ALZA RUOTA DX	RIGHT WHEEL LEVER	LEVIER ROUE DROITE	RADHEBEL R.
36		2	BUSSOLA	BUSHING	DOUILLE	BUECHSE
37		2	DADO	NUT	ECROU	MUTTER
38		1	LAMA	BLADE	COUTEAU	MESSER
39		1	VITE LAMA	BLADE SCREW	VIS DE COUTEAU	MESSERSCHRAUBE
40		1	ROSETTA SCHNORR	WASHER	RONDELLE	SCHEIBE
41		1	MOLLA A TAZZA	SPRING	RESSORT	FEDER
42		1	BUSSOLA LAMA Ø 22.2	BLADE BUSHING Ø 22.5	DOUILLE DE COUTEAU Ø 22.5	MESSERBUECHSE Ø 22.5
42		1	BUSSOLA LAMA Ø 25	BLADE BUSHING Ø25	DOUILLE DE COUTEAU Ø 25	MESSERBUECHSE Ø 25
43		1	CHIAVETTA	KEY	CLAVETTE	SCHEIBENFEDER
44		2	VITE 8x75 B&S QUANTUM	SCREW 8x75 B&S QUANTUM	VIS 8x75 B&S QUANTUM	SCHRAUBE 8x75 B&S QUANTUM
44		1	VITE 8x100 B&S QUANTUM	SCREW 8x100 B&S QUANTUM	VIS 8x100 B&S QUANTUM	SCHRAUBE 8x100 B&S QUANTUM
44		3	VITE 8x65 B&S 2 TEMPI	SCREW 8x65 B&S 2 STROKE	VIS 8x65 B&S 2 TEMPS	SCHRAUBE 8x65 B&S 2 TAKT
45		3	RONDELLA	WASHER	RONDELLE	SCHEIBE
46		1	SCOCCA	DECK	CHASSIS	GEHAEUSE
47		2	DADO	NUT	ECROU	MUTTER
48		1	IRICCILO	ROPE GUIDE	GUIDE-FIL	SEILFUEHRUNG
49			VITE	SCREW	VIS	SCHRAUBE
50		2	COPRICINGHIA	BELT COVER	PROTECTION	KEILRIEMEN
51		2	VITE	SCREW	VIS	SCHRAUBE
52		1	VITE TRUCIOLARE	SCREW	VIS	SCHRAUBE
53		1	ASTA REGOLAZIONE	SHAFT	ARBRE	ACHSE
54		2	VITE	SCREW	VIS	SCHRAUBE
55		2	DADO	NUT	ECROU	MUTTER
56		2	STEGOLA INFERIORE	LOWER HANDLEBAR	GUIDON INF.	HOLMUNTERTEIL
57		1	FASCETTA	CLAMP	BRIDE	RAPPBAND
58		1	COLLARE	RING	BAGUE	RING
59		1	FISSATORE	SUPPORT	SUPPORT	HALTER
60		2	RUOTA COMPLETA	WHEEL ASSY.	ROUE COMPL.	RAD KOMPL.
*		1	CESTELLO COMPLETO	GRASS BAG COMPL.	SAC RAMASSE COMPL.	GRASFANGSACK KOMPL.

Vista assale posteriore e riduttore COUNTRY-VARIOMAT
Rear axle and gear box COUNTRY-VARIOMAT
Essieu arrière et transmission COUNTRY-VARIOMAT
Hinterachse und Fahrtrieb COUNTRY-VARIOMAT



REF. N°	PART. N°	QTY	DESCRIZIONE	DESCRIPTION	DESCRIPTION	BESCHREIBUNG
1	1010018A1	1	VITE	SCREW	VIS	SCHRAUBE
2	1020007A1	1	RONDELLA	WASHER	RONDELLE	SCHEIBE
3	P3040048	1	PULEGGIA	PULLEY	POULIE	RIEMENSCHIEBE
4	P3010019	1	CINGHIA TRASMISSIONE	TRANSMISSION BELT	COURROIE DE TRANSMISSION	RIEMEN
5	P3040049	1	BUSSOLA DISTANZIALE	BUSHING	DOUILLE	BUECHSE
6	P3170013	1	O RING 2043	O RING 2043	JOINT TORIQUE 2043	GUMMIRING 2043
7	P3170010	1	PARA OLIO	OIL SEAL	JOINT D'ARBRE	WELLENDICHRING
8	P1020051	1	SPESSORE	WASHER	RONDELLE	SCHEIBE
9	P1070004	1	SEEGER	CIRCLIP	SEEGER	SEEGER
10	P3030010	1	CUSCINETTO	BEARING	PALIER	LAGER
11	P4070011	1	LEVA PER RIDUTTORE	LEVER	LEVIER	HEBEL
12	P1010075	1	VITE	SCREW	VIS	SCHRAUBE
13	1050003A1	1	DADO	NUT	ECROU	MUTTER
14	P3170012	1	PARA OLIO	OIL SEAL	JOINT D'ARBRE	WELLENDICHRING
15	P3020010	1	MOLLA	SPRING	RESSORT	FEDER
16	P1010073	1	VITE	SCREW	VIS	SCHRAUBE
17	P4030010	1	COPERCHIO MOLLA	SPRING COVER	COUVERCLE	FEDERHALTER
18	P1010076	1	VITE	SCREW	VIS	SCHRAUBE
19	P3040042	1	VITE SENZA FINE	WORM GEAR	VIS S. FIN	SCHNECKE
20	P1020053	1	SPESSORE	WASHER	RONDELLE	SCHEIBE
21	P00038099	1	INNESTO	SELECTOR COLLAR	MANCHON	SCHALTBUECHSE
22	P00038199	1	CORONA	WORM WHEEL	ROUE POUR VIS S. FIN	SCHNECKENRAD
23	P3170014	1	O RING	O RING	JOINT TORIQUE	GUMMIRING
24	P4110001	1	COPERCHIO SCATOLA	BOX COVER	COUVERCLE	DECKEL
25	P1010076	4	VITE	SCREW	VIS	SCHRAUBE
26	P1080007	1	SPINA	PIN	GOUPILLE	STIFT
27	1020020A1	2	SPESSORE	WASHER	RONDELLE	SCHEIBE
28	P1020051	1	SPESSORE	WASHER	RONDELLE	SCHEIBE
29	P3050030	1	BUSSOLA SCANALATA	BUSHING	DOUILLE CANELÉE	KEILHUELSE
30	P3040041	1	FORCELLA INNESTO	FORK	FOURCHE	GABEL
31	P1020054	1	RONDELLA	WASHER	RONDELLE	SCHEIBE
32	P2040010	1	GOMMINO	RUBBER TUBE	TUBE DE PROTECTION	SCHUTZHUELLE
33	P00039199	1	SCATOLA RIDUTTORE	GEAR BOX	BOITE DE RÉDUCTEUR	UNTERSETZUNGSGETRIEBE
34	P3170011	2	PARA OLIO	OIL SEAL	JOINT D'ARBRE	WELLENDICHRING
35	P1080004	2	SPINA	PIN	GOUPILLE	STIFT
36	P3040075	1	ALBERO TRASMISSIONE	TRANSMISSION SHAFT	ARBRE DE TRANSMISSION	WELLE
37	3030003A1	2	CUSCINETTO	BEARING	PALIER	LAGER
38	P1070008	2	SEEGER	CIRCLIP	SEEGER	SEEGER
39	P1020058	2	DISTANZIALE	SPACER	DOUILLE	ABSTANDSSTUECK
40	P1020057	2	DISTANZIALE	SPACER	DOUILLE	ABSTANDSSTUECK
41	P4020019	1	LEVA ALZA RUOTA POST. SX	LEFT REAR WHEEL LEVER	LEVIER ROUE POST. GAUCHE	RADHEBEL L.
41	P4020020	1	LEVA ALZA RUOTA POST. DX	RIGHT REAR WHEEL LEVER	LEVIER ROUE POST. DROITE	RADHEBEL R.
42	P4020029	2	PORTA RUOTA POST.	REAR WHEEL SUPPORT	SUPPORT ROUE POST.	RADHALTER
43	P1020050	2	RONDELLA ELASTICA	SPRING WASHER	RONDELLE ELAST.	FEDERSCHIEBE
44	P2020088	2	DISTANZIALE PER RUOTA	SPACER	DOUILLE	ABSTANDSSTUECK
45	P2110001	4	SALTARELLO	CAM	CLIQUET	NOCKEN
46	P2020060	2	COPRIPIGNONE	CAGE	CAGE	KAEIFG
47	P3020012	2	MOLLA	SPRING	RESSORT	FEDER
48	P3030013	4	CUSCINETTO	BEARING	PALIER	LAGER
49	P2020084	2	CERCHIO	WHEEL HUB	JANTE	FELGE
50	P2020083	2	COPERTONE	TYRE	PNEU	REIFEN
51	P00015276	2	RUOTA COMPLETA	WHEEL ASSY.	ROUE COMPL.	RAD KOMPL.
52	1020007A1	2	RONDELLA	WASHER	RONDELLE	SCHEIBE
53	P2020062	2	COPRIMOZZO	COVER	COUVERCLE	DECKEL
54	1010018A1	2	VITE PER RUOTA	WHEEL SCREW	VIS POUR ROUE	RADSCHRAUBE
55	1070001A1	2	SEEGER	CIRCLIP	SEEGER	SEEGER
56	1020020A1	2	SPESSORE	WASHER	RONDELLE	SCHEIBE
57	P3050031	2	PIGNONE	PINION	PIGNON	RITZEL
58	P2020059	2	BUSSOLA	BUSHING	DOUILLE	BUECHSE
59	P2100001	2	CRICCHETTO	DRIVER	CLIQUET	MITNEHMER
60	P2020070	2	BUSSOLA	BUSHING	DOUILLE	BUECHSE
61	P4030011	2	COPRI RUOTA	WHEEL COVER	PROTECTION	ABDECKUNG
62	P2020077	2	POMELLO PER LEVA	KNOB	POIGNÉE	ABDECKUNG
63	P3040068	1	PERNO	BOLT	BOULON	STIFT
64	P3040063	1	PULEGGIA GALOPPINO	PULLEY	POULIE	RIEMENSCHIEBE
65	P3030014	1	CUSCINETTO	BEARING	PALIER	LAGER
66	P3040064	1	DISTANZIALE	SPACER	DOUILLE	ABSTANDSSTUECK
67	P4010040	1	LEVA TENDICINGHIA	LEVER	LEVIER	HEBEL
68	P1050011	1	DADO	NUT	ECROU	MUTTER
69	P3020014	1	MOLLA	SPRING	RESSORT	FEDER
70	P4010041	1	PERNO	BOLT	BOULON	STIFT
71	P3040051	1	SEMI PULEGGIA INF.	HALF PULLEY	SEMI POULIE	GETEILTE RIEMENSCHIEBE
72	1030002A1	2	BUSSOLA	BUSHING	DOUILLE	BUECHSE
73	1020020A1	2	SPESSORE	WASHER	RONDELLE	SCHEIBE
74	P1010074	1	VITE	SCREW	VIS	SCHRAUBE
75	P3040043	1	VITE SENZA FINE	WORM GEAR	VIS S. FIN	SCHNECKE
76	P3010012	1	CINGHIA	BELT	COURROIE	RIEMEN
77	P3040050	1	SEMI PULEGGIA SUP.	HALF PULLEY	SEMI POULIE	GETEILTE RIEMENSCHIEBE
78	P3020015	1	MOLLA	SPRING	RESSORT	FEDER
79	P4010044	1	RONDELLA	WASHER	RONDELLE	SCHEIBE
80	P1010066	1	VITE	SCREW	VIS	SCHRAUBE
81	P1020076	1	RONDELLA	WASHER	RONDELLE	SCHEIBE
	P00078668	1	SCATOLA RIDUTTORE COMPL. MONOMARCIA	GEAR BOX ASSY. 1 SPEED	BOITE DE RÉDUCTEUR COMPL. 1 VITESSE	UNTERSETZUNGSGETRIEBE 1 GANG
	P00078669	1	SCATOLA RIDUTTORE COMPL. x VARIOMAT	GEAR BOX ASSY. x VARIOMAT	BOITE DE RÉDUCTEUR COMPL. x VARIOMAT	UNTERSETZUNGSGETRIEBE x VARIOMAT

Vista assale posteriore ENDURO
Rear axle ENDURO
Essieu arrière ENDURO
Hinterachse ENDURO



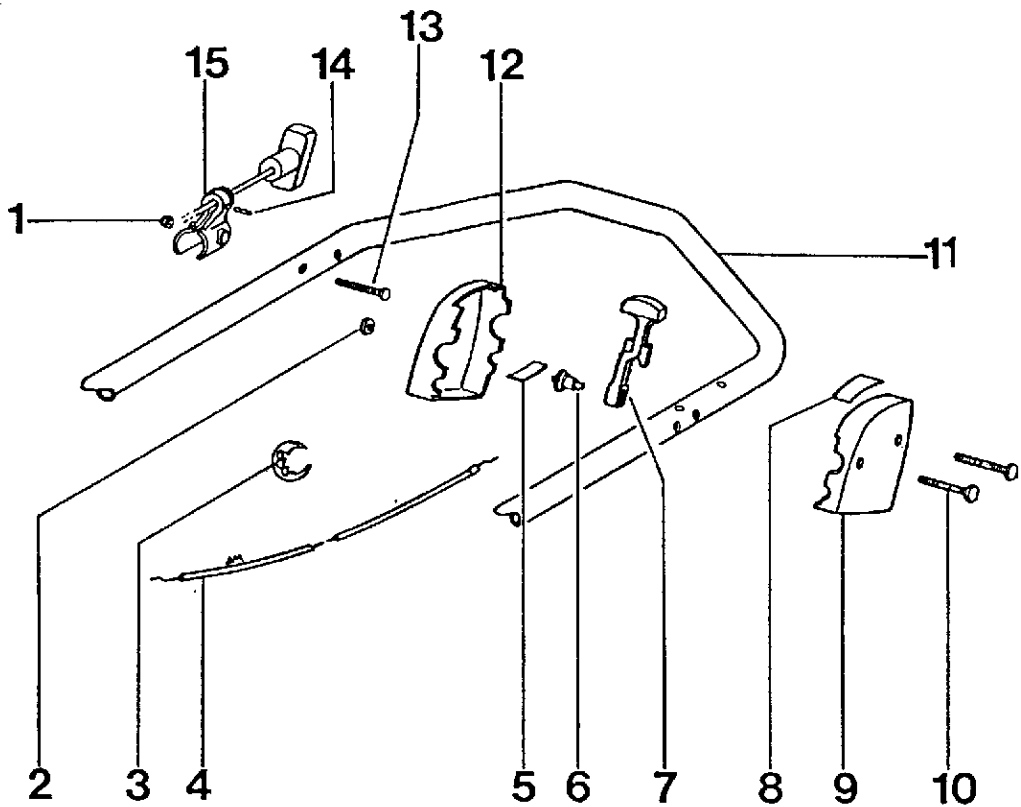
REF. N°	PART. N°	QTY	DESCRIZIONE	DESCRIPTION	DESCRIPTION	BESCHREIBUNG
	P3040078	1	ALBERO	SHAFT	ARBRE	WELLE
2	P1070008	2	SEEGER	CIRCLIP	SEEGER	SEEGER
3	P1020058	2	DISTANZIALE	SPACER	DOUILLE	ABSTANDSSTUECK
4	P1020057	2	DISTANZIALE	SPACER	DOUILLE	ABSTANDSSTUECK
5	P4020019	1	LEVA POST. SX	LEFT REAR LEVER	LEVIER POST. GAUCHE	HEBEL L.
5	P4020020	1	LEVA POST. DX	RIGHT REAR LEVER	LEVIER POST. DROITE	HEBEL R.
6	P2020077	2	POMELLO LEVA	KNOB	POIGNÉE	ABDECKUNG
7	P4020029	2	PORTA RUOTA POST.	REAR WHEEL SUPPORT	SUPPORT ROUE POST.	RADHALTER
8	1030002A1	2	BUSSOLA	BUSHING	DOUILLE	BUECHSE
9	1020020A1	50	SPESSORE	WASHER	RONDELLE	SCHEIBE
10	1070001A1	2	SEEGER	CIRCLIP	SEEGER	SEEGER
11	P1020050	2	RONDELLA ELASTICA	SPRING WASHER	RONDELLE ELAST.	FEDERSCHIBE
12	P2020088	2	DISTANZIALE	SPACER	DOUILLE	ABSTANDSSTUECK
13	P2020128	2	COPRI RUOTA	WHEEL COVER	PROTECTION	ABDECKUNG
14	P2020082	2	CERCHIO	WHEEL HUB	JANTE	FELGE
15	P3030013	4	CUSCINETTO	BEARING	PALIER	LAGER
16	P2020083	2	COPERTONE	TYRE	PNEU	REIFEN
17	P00015176	2	RUOTA COMPL.	WHEEL ASSY.	ROUE COMPL.	RAD KOMPL.
18	1020007A1	2	RONDELLA	WASHER	RONDELLE	SCHEIBE
19	1010018A1	2	VITE	SCREW	VIS	SCHRAUBE
20	P2020062	2	COPRIMOZZO	COVER	COUVERCLE	DECKEL

Vista stegola superiore e comandi ENDURO

Upper handle and controls ENDURO

Mancheron partie supérieur et éléments de commande ENDURO

Lenkeroberteil und Bedienungselemente ENDURO



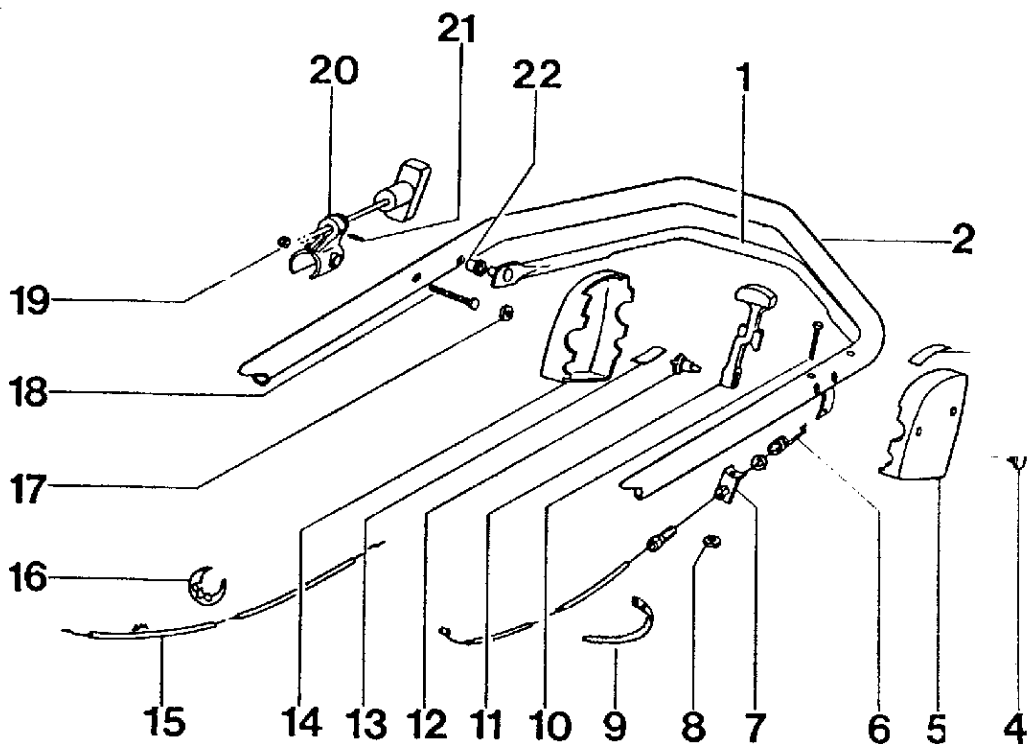
REF. N°	PART. N°	QTY	DESCRIZIONE	DESCRIPTION	DESCRIPTION	BESCHREIBUNG
1	1050002A1	1				
2	1050003A1	2				
3	P2020080	1				
4	P5020033	1				
4	P5020014	1				
5	P4010059	1				
6	P2020108	1				
7	P00065099	1				
8	P5140515	1				
8	P5140516	1				
9	P2020107	1				
10	P1010102	2				
11	P02070154	1				
12	P2020106	1				
13	1010002A1	1				
14	P1080008	1				
15	P00064599	1				

Vista stegola superiore e comandi COUNTRY

Upper handle and controls COUNTRY

Mancheron partie supérieure et éléments de commande COUNTRY

Lenkeroberteil und Bedienungselemente COUNTRY



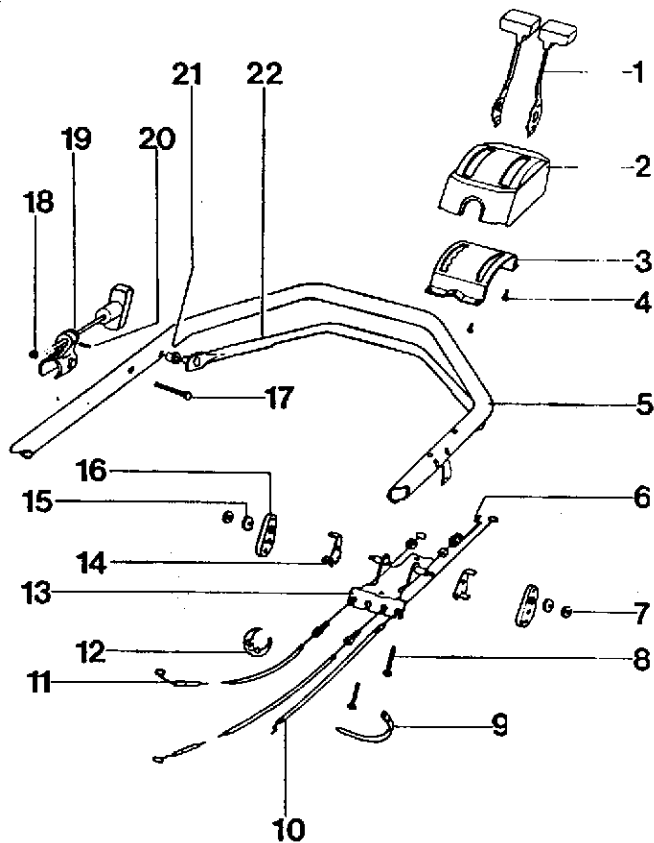
REF. N°	PART. N°	QTY	DESCRIZIONE	DESCRIPTION	DESCRIPTION	BESCHREIBUNG
1	P02042181	1	MANIGLIA TRAZIONE	TRACTION LEVER	LEVIER DE TRACTION	ANTRIEBSHEBEL
2	P02070154	1	STEGOLA SUPERIORE	UPPER HANDLEBAR	GUIDON SUP.	OB. FUEHRUNGSHOLM
3	P5140515	1	DECALCO	DECAL	MARQUAGE	AUFKLEBER
3	P5140516	1	DECALCO	DECAL	MARQUAGE	AUFKLEBER
4	P1010102	2	VITE	SCREW	VIS	SCHRAUBE
5	P2020107	1	SEMI SCATOLA SX	HOUSING LEFT	BOITE GAUCHE	SCHALE L.
6	P5010029	1	CAVO TRAZIONE	TRACTION CABLE	CABLE DE TRACTION	ANTRIEBSKABEL
7	P4010060	1	PIASTRINA	PLATE	PLAQUE	PLATTE
8	1050003A1	1	DADO	NUT	ECROU	MUTTER
9	5040001A1	1	FASCETTA	CLAMP	BRIDE	RAPPBAND
10	P1010078	1	VITE	SCREW	VIS	SCHRAUBE
11	P00065099	1	LEVA	LEVER	LEVIER	HEBEL
12	P2020108	1	PERNO	BOLT	BOULON	STIFT
13	P4010059	1	MOLLA	SPRING	RESSORT	FEDER
14	P2020106	1	SEMISCATOLA DX	HOUSING RIGHT	BOITE DROITE	SCHALE R.
15	P5020033	1	CAVO ACCELERATORE x B&S QUANTUM 4 TEMPI	THROTTLE CABLE x B&S QUANTUM 4 STROKE	CABLE DE GAZ x B&S QUANTUM 4 TEMPS	GASHEBEL x B&S QUANTUM 4 TAKT
16	P2020080	1	FERMA CAVO	CLIP	CLIP	HALTER
17	1050003A1	2	DADO	NUT	ECROU	MUTTER
18	1010002A1	1	VITE	SCREW	VIS	SCHRAUBE
19	1050002A1	1	DADO	NUT	ECROU	MUTTER
20	P00064599	1	SUPPORTO	SUPPORT	SUPPORT	MUTTER
21	P1080008	1	SPINA	PIN	SUPPORT	HALTER
22	P2020153	2	BUSSOLA	BUSHING	GOUPILLE	STIFT
.	P00035099		SCATOLA ACC. COMP.	THROTTLE ASSY.	BOITE DE GAZ COMPL.	GASHEBEL KOMPL.

Vista stegola superiore e comandi VARIOMAT

Upper handle and controls VARIOMAT

Mancheron partie supérieur et éléments de commande VARIOMAT

Lenkeroberteil und Bedienungselemente VARIOMAT



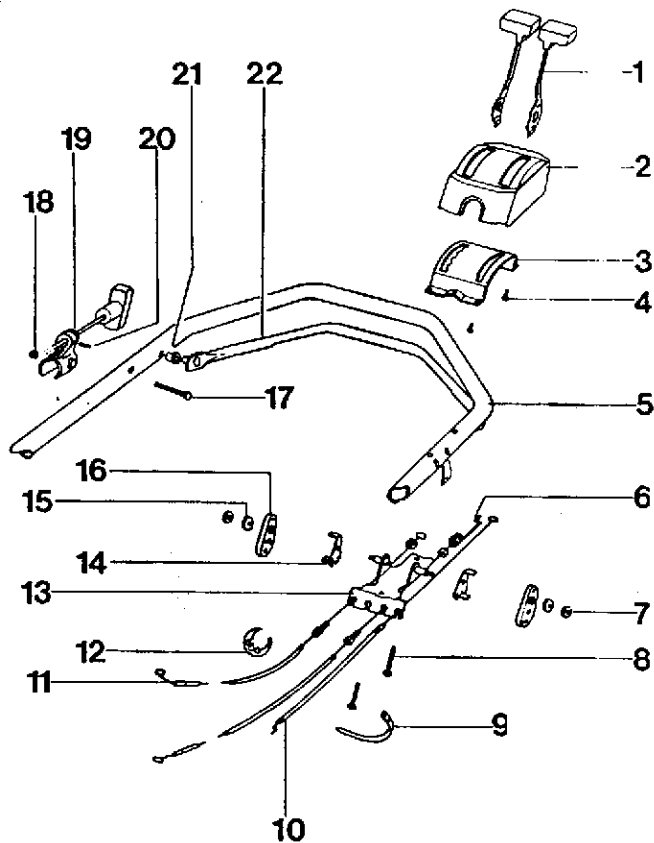
REF. N°	PART. N°	QTY	DESCRIZIONE	DESCRIPTION	DESCRIPTION	BESCHREIBUNG
1	P00044982	2	LEVA COMANDI	CONTROL LEVER	LEVIER DE COMMANDE	STEUERHEBEL
2	P2020065	1	SCATOLA COMANDI	CONTROL HOUSING	BOITE DE COMMANDE	STEUERGEHAEUSE
3	P4020011	1	PIASTRA	PLATE	PLAQUE	PLATTE
4	P1010061	4	VITE	SCREW	VIS	SCHRAUBE
5	P02070154	1	STEGOLA SUPERIORE	UPPER HANDLEBAR	GUIDON SUP.	OB. FUEHRUNGSHOLM
6	P5010032	1	CAVO TRAZIONE	TRACTION CABLE	CABLE DE TRACTION	ANTRIEBSKABEL
7	P1050007	2	DADO	NUT	ECROU	MUTTER
8	P1010068	2	VITE	SCREW	VIS	SCHRAUBE
9	5040001A1	1	FASCETTA	CLAMP	BRIDE	RAPPBAND
10	P5020034	1	CAVO ACC. B&S QUANTUM	THROTTLE CABLE B&S QUANTUM	CABLE DE GAZ B&S QUANTUM	GASHEBEL B&S QUANTUM
10	P5020014	1	CAVO ACC. B&S 2 TEMPI	THROTTLE CABLE B&S 2 STROKE	CABLE DE GAZ B&S 2 TEMPS	GASHEBEL B&S 2 TAKT
			CAVO ACC. TECUMSEH OHV	THROTTLE CABLE TECUMSEH OHV	CABLE DE GAZ TECUMSEH OHV	GASHEBEL TECUMSEH OHV
11	P5010012	1	CAVO VARIATORE	SPEED VARIATOR CABLE	CABLE DE VITESSE	KABEL-GESCHWINDIGKEIT
12	P2020080	1	FERMA CAVO	CLIP	CLIP	HALTER
13	P4020010	1	PORTA SCATOLA	SUPPORT	SUPPORT	HALTER
14	P4020012	2	PIASTRINA	PLATE	PLAQUE	PLATTE
15	1020007A1	2	RONDELLA	WASHER	RONDELLE	SCHIBE
16	P2020067	2	GUIDA CAVO	CABLE GUIDE	GUIDE CABLE	KABELFUEHRUNG
17	1010002A1	1	VITE	SCREW	VIS	SCHRAUBE
18	1050002A1	1	DADO	NUT	ECROU	MUTTER
19	P00064599	1	SUPPORTO	SUPPORT	SUPPORT	HALTER
20	P1080008	1	SPINA	PIN	GOUILLE	STIFT
21	P2020153	2	BUSSOLA	BUSHING	DOUILLE	BUECHSE
22	P02042181		MANIGLIA TRAZIONE	TRACTION LEVER	LEVIER DE TRACTION	ANTRIEBSHEBEL

Vista stegola superiore e comandi VARIOMAT

Upper handle and controls VARIOMAT

Mancheron partie supérieur et éléments de commande VARIOMAT

Lenkeroberteil und Bedienungselemente VARIOMAT



REF. N°	PART. N°	QTY	DESCRIZIONE	DESCRIPTION	DESCRIPTION	BESCHREIBUNG
1	P00044982	2	LEVA COMANDI	CONTROL LEVER	LEVIER DE COMMANDE	STEUERHEBEL
2	P2020065	1	SCATOLA COMANDI	CONTROL HOUSING	BOITE DE COMMANDE	STEUERGEHAEUSE
3	P4020011	1	PIASTRA	PLATE	PLAQUE	PLATTE
4	P1010061	4	VITE	SCREW	VIS	SCHRAUBE
5	P02070154	1	STEGOLA SUPERIORE	UPPER HANDLEBAR	GUIDON SUP.	OB. FUEHRUNGSHOLM
6	P5010032	1	CAVO TRAZIONE	TRACTION CABLE	CABLE DE TRACTION	ANTRIEBSKABEL
7	P1050007	2	DADO	NUT	ECROU	MUTTER
8	P1010068	2	VITE	SCREW	VIS	SCHRAUBE
9	5040001A1	1	FASCETTA	CLAMP	BRIDE	RAPPBAND
10	P5020034	1	CAVO ACC. B&S QUANTUM	THROTTLE CABLE B&S QUANTUM	CABLE DE GAZ B&S QUANTUM	GASHEBEL B&S QUANTUM
10	P5020014	1	CAVO ACC. B&S 2 TEMPI	THROTTLE CABLE B&S 2 STROKE	CABLE DE GAZ B&S 2 TEMPS	GASHEBEL B&S 2 TAKT
			CAVO ACC. TECUMSEH OHV	THROTTLE CABLE TECUMSEH OHV	CABLE DE GAZ TECUMSEH OHV	GASHEBEL TECUMSEH OHV
11	P5010012	1	CAVO VARIATORE	SPEED VARIATOR CABLE	CABLE DE VITESSE	KABEL-GESCHWINDIGKEIT
12	P2020080	1	FERMA CAVO	CLIP	CLIP	HALTER
13	P4020010	1	PORTA SCATOLA	SUPPORT	SUPPORT	HALTER
14	P4020012	2	PIASTRINA	PLATE	PLAQUE	PLATTE
15	1020007A1	2	RONDELLA	WASHER	RONDELLE	SCHIBE
16	P2020067	2	GUIDA CAVO	CABLE GUIDE	GUIDE CABLE	KABELFUEHRUNG
17	1010002A1	1	VITE	SCREW	VIS	SCHRAUBE
18	1050002A1	1	DADO	NUT	ECROU	MUTTER
19	P00064599	1	SUPPORTO	SUPPORT	SUPPORT	HALTER
20	P1080008	1	SPINA	PIN	GOUILLE	STIFT
21	P2020153	2	BUSSOLA	BUSHING	DOUILLE	BUECHSE
22	P02042181		MANIGLIA TRAZIONE	TRACTION LEVER	LEVIER DE TRACTION	ANTRIEBSHEBEL

Vista generale ENDURO - COUNTRY - VARIOMAT
 Complete machine ENDURO - COUNTRY - VARIOMAT
 Vue d'ensemble ENDURO - COUNTRY - VARIOMAT
 Gesamtansicht ENDURO - COUNTRY - VARIOMAT

