

# **IBEA**

**POWER PRODUCTS**

Modello n.	Serie dal n.
IB-4255	96001
IB-4255LS	970001
IB-4260	96001
IB-4260LS	970001

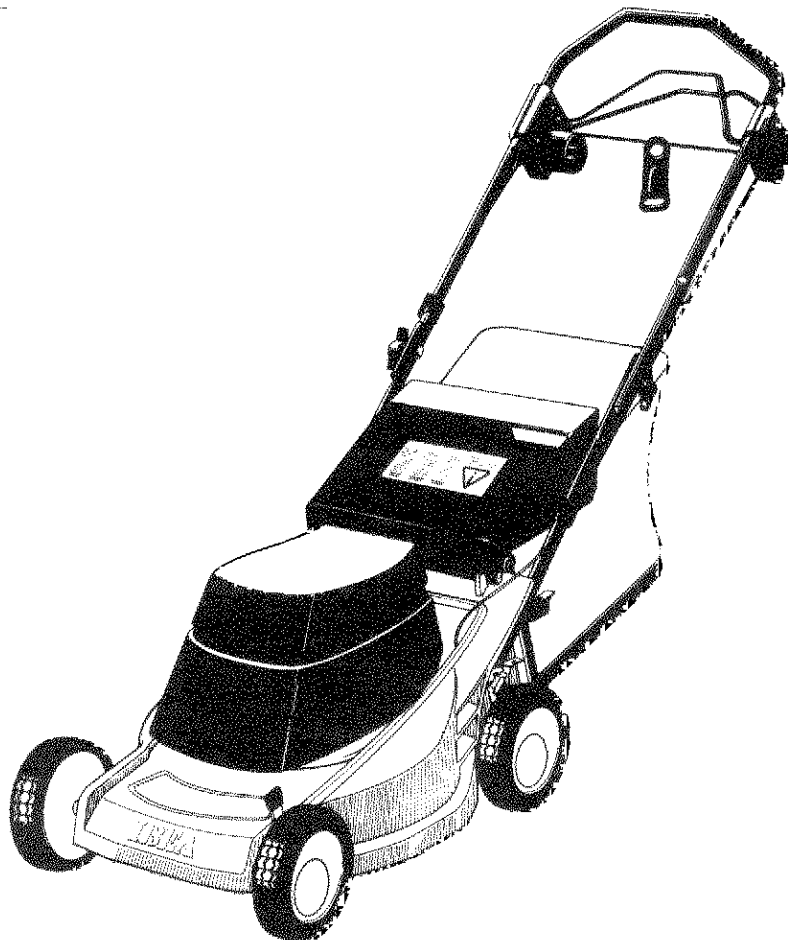
Stampato n° P5090241

**LISTA RICAMBI**

**SPARE PARTS LIST**

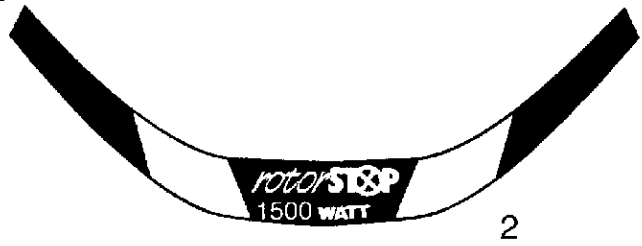
**ERSATZTEILLISTE**

**LISTE DES PIECES DE RECHANGE**



**SERIE 420 ELETTRICO**

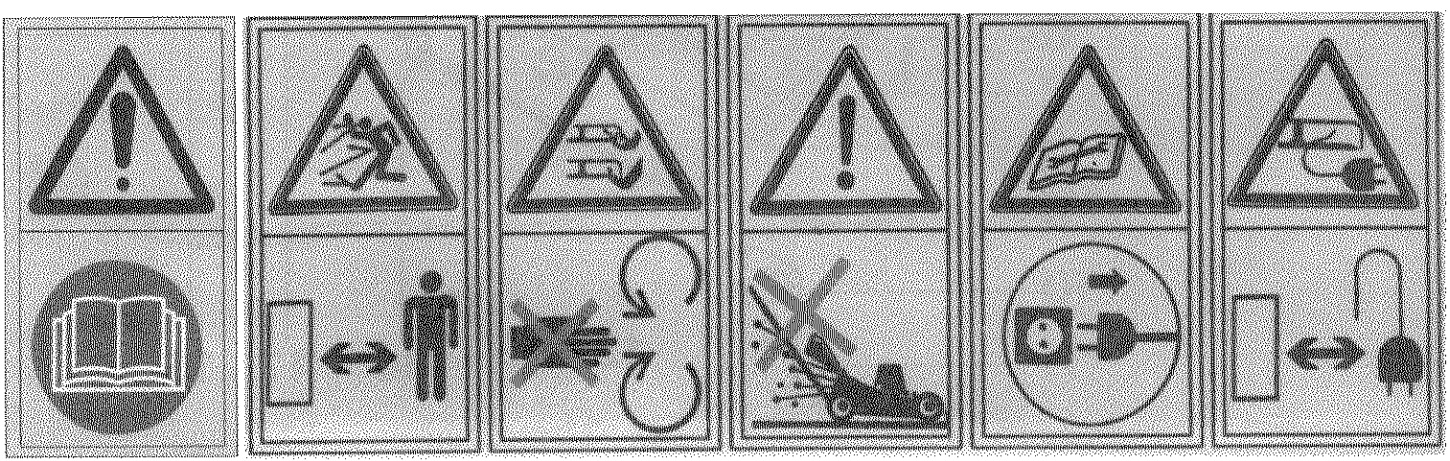
1



2



3



4

REF. N°	PART. N°	QTY	DESCRIZIONE	DESCRIPTION	DESCRIPTION	BESCHREIBUNG
1	P2020138	1	TARGHETTA IBEA	IBEA PLATE	PLAQUE IBEA	IBEA PLATTE
2	P5140161	4	DECALCO ROTORSTOP	ROTORSTOP DECAL	AUTOCOLLANT ROTORSTOP	AUFKLEBER (ROTORSTOP
3	P5140339	1	DECALCO SPECIAL RED	SPECIAL RED DECAL	AUTOCOLLANT SPECIAL RED	AUFKLEBER SPECIAL RED
4	P5140333	1	DECALCO	DECAL	AUTOCOLLANT	AUFKLEBER
*	P5110007	1	CHIAVE ESAGONALE	KEY	CLÉ	SCHLÜSSEL
*	P509021711/E	1	MANUALE D'USO	INSTRUCTION MANUAL	MODE D'EMPLOI	BEDIENUNGSANLEITUNG

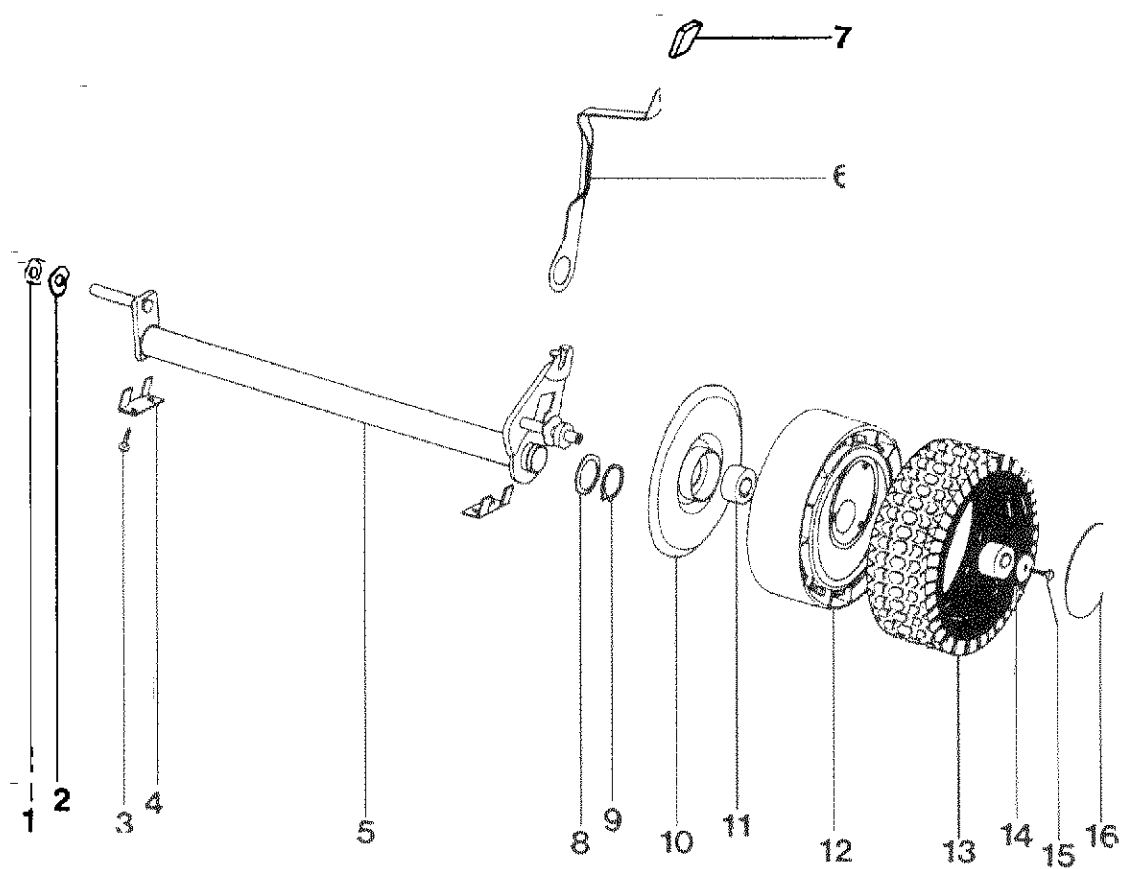
REF. N°	PART. N°	QTY	DESCRIZIONE	DESCRIPTION	DESCRIPTION	BESCHREIBUNG
1	P01011066	1	TELAIO CESTELLO	FRAME	ARMATURE	GESTELL
2	P3160049	1	SACCO	GRASSBAG	TOILE DE SAC	GRASFANGSACK
3	P00022257	1	TETTUCCIO	COVER	COUVERCLE	ABDECKUNG
4	P1010085	4	VITE	SCREW	VIS	SCHRAUBE
5	P00022157	1	CAPPELOTTO	COVER	COUVERCLE	ABDECKUNG
6	P5120033	1	MOTORE 1500 W (IB-4255, IB-4260)	MOTOR 1500 W (IB-4255, IB-4260)	MOTEUR 1500 W (IB-4255, IB-4260)	MOTOR 1500 W (IB-4255, IB-4260)
6	P5120018	1	MOTORE 1500 W (IB-4255LS, IB-4260LS)	MOTOR 1500 W (IB-4255LS, IB-4260LS)	MOTEUR 1500 W (IB-4255LS, IB-4260LS)	MOTOR 1500 W (IB-4255LS, IB-4260LS)
7	P1010105	2	VITE	SCREW	VIS	SCHRAUBE
8	P5070003	1	STRINGICAVO	CLIP	COLLIER	KABELHALTER
9	P00022057	1	CONTENITORE MOTORE	MOTOR HOUSING	CAISSE MOTEUR	GEHÄUSE
10	P5080007	1	CONDENSATORE	CONDENSER	CONDENSATEUR	KONDENSATOR
11	1010026A1	2	VITE	SCREW	VIS	SCHRAUBE
12	2020050A1	4	DADO A GALLETTO	KNOB	ÉCROU PAPILLON	MUTTER
13	1020014A1	2	RONDELLA	WASHER	RONDELLE	SCHEIBE
14	P3020011	1	MOLLA	SPRING	RESSORT DE TRAPPE	FEDER
15	P1060004	2	FISSATORE	WASHER	RONDELLE	SCHEIBE
16	P01027066	1	ASTINA	ROD	TIGE	STAB
17	P2020092	1	PORTELLO	CHUTE DOOR	TRAPPE ARRIÈRE	KLAPPE
18	P00205066	1	SCOCCA	DECK	CHÂSSIS	GEHÄUSE
19	P01032166	1	PIASTRA REG. TAGLIO	H.O.C. PLATE	SECTEUR RHC	PLATTE
20	P1020064	4	RIVETTO	STUD	RIVET	NIET
21	P01032066	1	PIASTRA REG. TAGLIO	H.O.C. PLATE	SECTEUR RHC	PLATTE
22	P3040087	2	BUSSOLA	BUSHING	DOUILLE	BÜCHSE
23	P2020077	1	POMELLO LEVA	KNOB	CAPUCHON	KNOPF
24	P00046066	1	LEVA	FRONT LEVER	LEVIER RHC DROIT	RADHEBEL
25	P02070257	2	STEGOLA INFERIORE	LOWER HANDLEBAR	SUPPORT DE GUIDON	LENKERUNTERTEIL
26	P3040086	2	PERNO	PIN	GOUPILLE	STIFT
27	P3040359	1	BUSSOLA LAMA	BLADE BUSHING	SUPPORT COUTEAU	MESSERBÜCHSE
28	P00067057	1	VITE LAMA	BLADE BOLT	VIS DE COUTEAU	MESSERSCHRAUBE
29	P4050015	1	LAMA	BLADE	COUTEAU	MESSER
30	P2020105	1	BUSSOLA	BUSHING	DOUILLE	BÜCHSE
31	P01030366	1	ASSALE ANTERIORE	FRONT AXLE	ESSIEU AVANT	FORDERACHSE
32	P1050011	2	DADO	NUT	ÉCROU	MUTTER
33	P1010112	4	VITE	SCREW	VIS	SCHRAUBE
34	P1020054	4	RONDELLA	WASHER	RONDELLE	SCHEIBE
35	P1020063	2	RONDELLA	WASHER	RONDELLE	SCHEIBE
36	P2020089	1	CARTER COPRICINGHIA	BELT COVER	PROTÈGE-COURROIE	KEILRIEMENABDECKUNG
37	P1010061	2	VITE	SCREW	VIS	SCHRAUBE
38	P2020100	4	VITE	SCREW	VIS	SCHRAUBE
39	P00010266	1	CESTELLO COMPLETO	GRASSBAG ASS.Y	SAC DE RAMASSAGE	GRASFANGSACK
40	P1020050	2	RONDELLA	WASHER	RONDELLE	SCHEIBE
41	P2020088	2	DISTANZIALE	SPACER	RONDELLE	DISTANZBÜCHSE
42	P2020377	2	COPRIRUOTA	WHEEL COVER	ENJOLIVEUR	RADABDECKUNG
43	P3030013	4	CUSCINETTO	BEARING	PAJER	LAGER
44	P2020378	2	CERCHIO	RIM	JANTE	FELGE
45	P2020078	2	COPERTONE	TYRE	PNEU	REIFEN
46	1020007A1	2	RONDELLA	WASHER	RONDELLE	SCHEIBE
47	1010018A1	2	VITE	SCREW	VIS	SCHRAUBE
48	P2080002	2	RUOTA COMPLETA	WHEEL ASS.Y	ROUE COMPL.	RAD KOMPL.
49	P2020062	2	COPRIMOZZO	WHEEL COVER	ENJOLIVEUR DE ROUE	RADABDECKUNG
*50	P2020088	2	DISTANZIALE	SPACER	RONDELLE	DISTANZBÜCHSE
*51		2	VEDI REF. 56	SEE REF. 56	VOIR REF. 56	SIEHE REF. 56
*52		2	VEDI REF. 56	SEE REF. 56	VOIR REF. 56	SIEHE REF. 56
*53	1020007A1	2	RONDELLA	WASHER	RONDELLE	SCHEIBE
*54	1010018A1	2	VITE	SCREW	VIS	SCHRAUBE
*55	P2020220	2	COPRIMOZZO	WHEEL COVER	ENJOLIVEUR DE ROUE	RADABDECKUNG
*56	P2020213	2	RUOTA	WHEEL	ROUE	RAD

Vista assale posteriore, modello a spinta (IB-4255, IB-4255LS)

Rear axle, push model (IB-4255, IB-4255LS)

Essieu arrière, modèle poussé (IB-4255, IB-4255LS)

Hinterachse, Handgestoßen Modell (IB-4255, IB-4255LS)



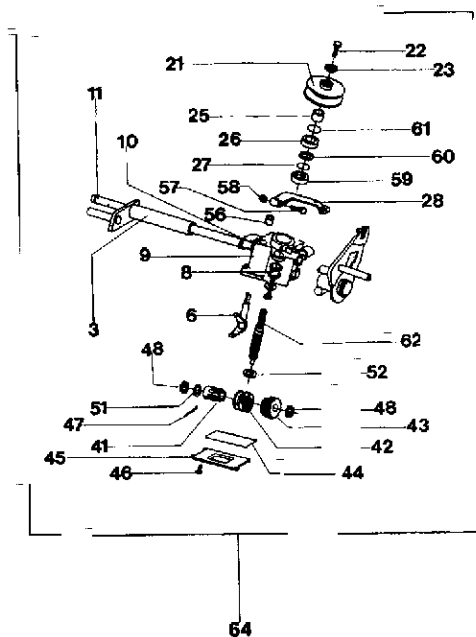
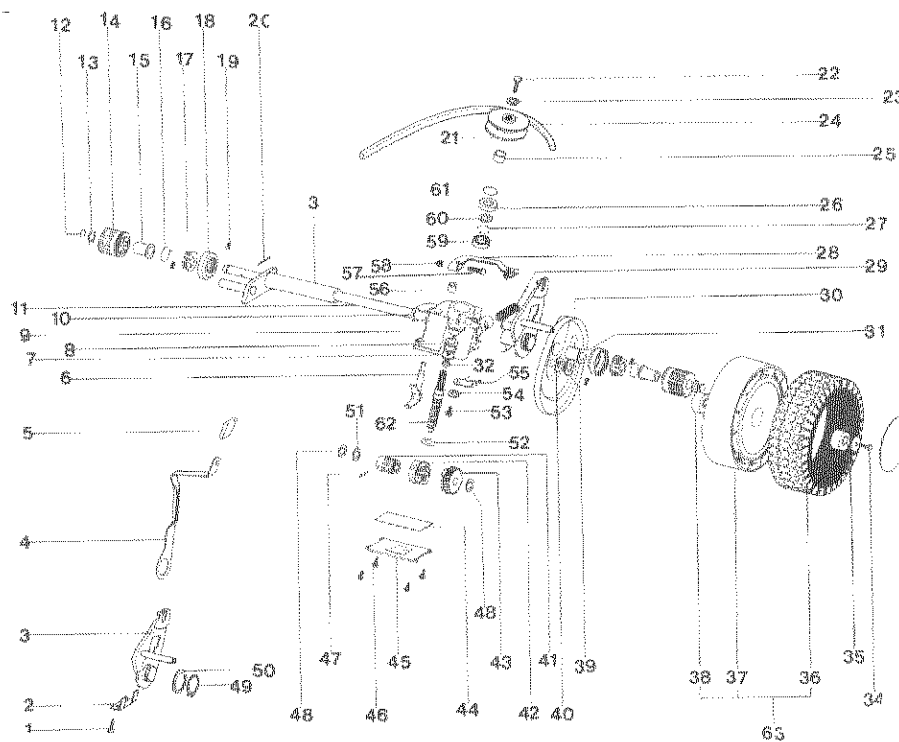
REF. N°	PART. N°	QTY	DESCRIZIONE	DESCRIPTION	DESCRIPTION	BESCHREIBUNG
	P2020088	2	DISTANZIALE	SPACER	RONDELLE	DISTANZBÜCHSE
2	P1020050	2	RONDELLA ELASTICA	SPRING WASHER	RONDELLE ÉLASTIQUE	FEDERSCHEIBE
3	P1010090	4	VITE	SCREW	VIS	SCHRAUBE
4	P01033266	2	SUPPORTO ASSALE	PLATE	PLAQUE	PLATTE
5	P01030067		ASSALE POSTERIORE	REAR AXLE	ESSIEU ARRIÈRE	HINTERACHSE
6	P00046166		LEVA POSTERIORE	REAR LEVER	LEVIER POST.	HEBEL
7	P2020077		POMELLO PER LEVA	KNOB	CAPUCHON	KNOPF
8	P1020078		RONDELLA	WASHER	RONDELLE	SCHEIBE
9	P1070008		SEEGER	CIRCLIP	CIRCLIP	SEEGER
10	P2020377	2	COPRIRUOTA	COVER	COUVERCLE	ABDECKUNG
11	P3030013	4	CUSCINETTO	BEARING	PALIER	LAGER
12	P2020378	2	CERCHIO	RIM	JANTE	FELGE
13	P2020078	2	COPERTONE	TYRE	PNEU	REIFEN
14	1020007A1	2	RONDELLA	WASHER	RONDELLE	SCHEIBE
15	1010018A1	2	VITE	SCREW	VIS	SCHRAUBE
16	P2020062	2	COPRIMOZZO	WHEEL COVER	ENJOLIVEUR	RADABDECKUNG
	P2080002		RUOTA COMPLETA	WHEEL ASS.Y	ROUE COMPL.	RAD KOMPL.

Vista assale posteriore, modello a trazione (IB-4260, IB-4260LS)

Rear axle, self-propelled model (IB-4260, IB-4260LS)

Essieu arrière, modèle tracté (IB-4260, IB-4260LS)

Hinterachse, Modell mit Radantrieb (IB-4260, IB-4260LS)



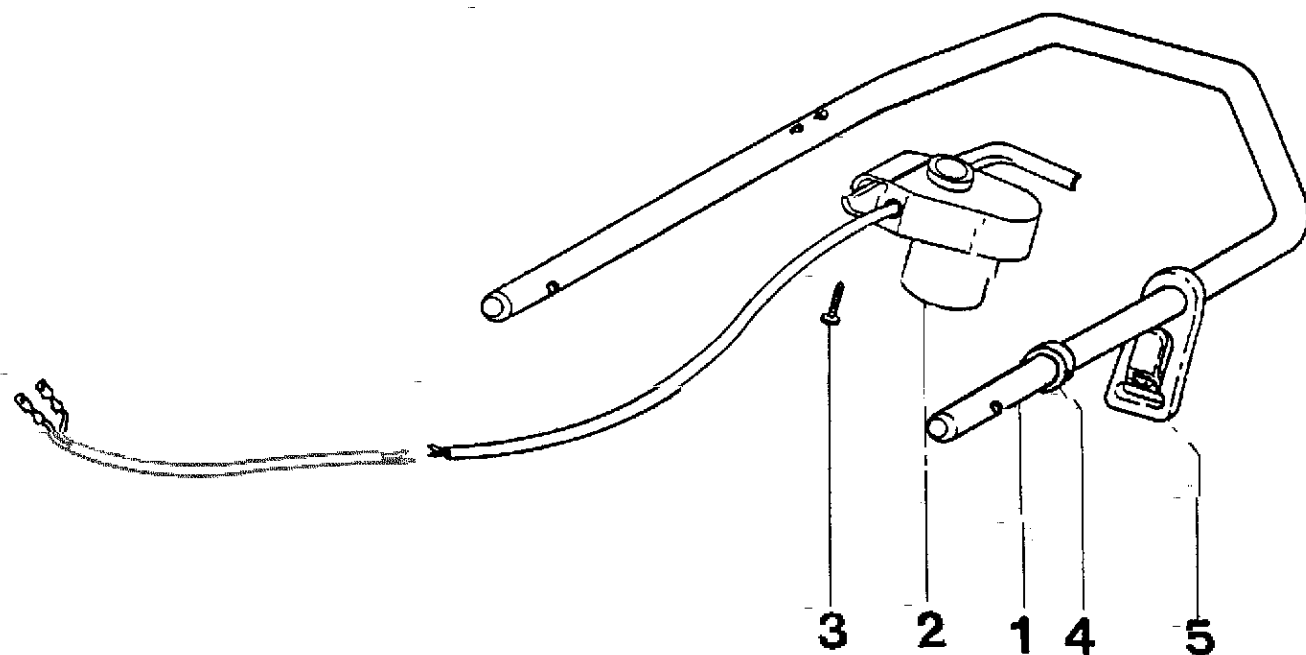
REF. N°	PART. N°	QTY	DESCRIZIONE	DESCRIPTION	DESCRIPTION	BESCHREIBUNG
1	P1010090	4	VITE	SCREW	VIS	SCHRAUBE
2	P01033266	2	PIASTRINA	PLATE	PLAQUE	PLATTE
3	P01030065		ASSALE POSTERIORE	REAR AXLE	ESSIEU POST.	ACHSE
4	P00046166		LEVA POSTERIORE	REAR LEVER	LEVIER POST.	HEBEL
5	P2020077		POMELLO PER LEVA	KNOB	POIGNÉE	ABDECKUNG
6	P3040041		FORCELLA INNESTO	FORK	FOURCHE	GABEL
7	P1020054		RONDELLA	WASHER	RONDELLE	SCHEIBE
8	P2040010		GOMMINO	RUBBER TUBE	TUBE DE PROTECTION	SCHUTZHÜLLE
9	P00039199		SCATOLA	HOUSING	BOÎTE	SCHALE
10	P3170011	2	PARAOLIO	OIL SEAL	JOINT D'ARBRE	WELLENDICHTRING
11	P3040093		ALBERO TRAZIONE	TRANSMISSION SHAFT	ARBRE DE TRACTION	ANTRIEBSWELLE
12	1070001A1	2	SEEGER	CIRCLIP	SEEGER	SEEGER
13	1020020A1	2	SPESSORE	WASHER	RONDELLE	SCHEIBE
14	P3050031	2	PIGNONE	PINION	PIGNON	RITZEL
15	P2020059	2	BUSSOLA	BUSHING	DOUILLE	BÜCHSE
16	P3020012	2	MOLLA	SPRING	RESSORT	FEDER
17	P2100001	2	CRICCHETTO	DRIVER	CLIQUET	MITNEHMER
18	P2020060	2	COPRIPIGNONE	CAGE	CAGE	KÄFIG
19	P2110001	4	SALTERELLO	KEY	CLAVETTE	SCHEIBENFEDER
20	P1080004	2	SPINA	PIN	GOUPILLE	STIFT
21	P3040048		PULEGGIA	PULLEY	POULIE	RIEMENSCHLEIBE
22	1010018A1		VITE	SCREW	VIS	SCHRAUBE
23	1020007A1		RONDELLA	WASHER	RONDELLE	SCHEIBE
24	P3010013		CINGHIA	BELT	COURROIE	RIEMEN
25	P3040049	1	DISTANZIALE	SPACER	DOUILLE	ABSTANDSSTÜCK
26	P3170010	1	PARAOLIO	OIL SEAL	JOINT D'ARBRE	WELLENDICHTRING
27	P1070004		SEEGER	CIRCLIP	SEEGER	SEEGER
28	P4070011		LEVA	LEVER	LEVIER	HEBEL
29	P3020010		MOLLA	SPRING	RESSORT	FEDER
30	P4030011	2	COPRIRUOTA	WHEEL COVER	PROTECTION	ABDECKUNG
31	P2020070	2	BUSSOLA	BUSHING	DOUILLE	BÜCHSE
32	P1010104		VITE	SCREW	VIS	SCHRAUBE
33	P2020062	2	COPRIMOZZO	COVER	COUVERCLE	DECKEL
34	1010018A1	2	VITE	SCREW	VIS	SCHRAUBE
35	1020007A1	2	RONDELLA	WASHER	RONDELLE	SCHEIBE
36	P2020078	2	COPERTONE	TYRE	PNEU	REIFEN
37	P2020081	2	CERCHIO	WHEEL HUB	JANTE	FELGE
38	P3030013	4	CUSCINETTO	BEARING	PALIER	LAGER
39	P2020088	2	DISTANZIALE	SPACER	DOUILLE	ABSTANDSSTÜCK
40	P1020050	2	RONDELLA ELASTICA	SPRING WASHER	RONDELLE ÉLAST.	FEDERSCHLEIBE
41	P3050030		BUSSOLA SCANALATA	BUSHING	DOUILLE CANNELÉE	KEILHÜLSE
42	P00038099		INNESTO	SELECTOR COLLAR	MANCHON	SCHALTBÜCHSE
43	P00038199		CORONA	WORM WHEEL	ROUE POUR VIS S. FIN	SCHNECKENRAD
44	P3170014		O-RING	O-RING	JOINT TORIQUE	GUMMIRING
45	P4110001		COPERCHIO	COVER	COUVERCLE	DECKEL
46	P1010076	4	VITE	SCREW	VIS	SCHRAUBE
47	P1080007		SPINA ELASTICA	PIN	GOUPILLE ELAST.	STIFT
48	1020020A1	2	SPESSORE	WASHER	RONDELLE	SCHEIBE
49	P1070008		SEEGER	CIRCLIP	SEEGER	SEEGER
50	P1020078		DISTANZIALE	SPACER	DOUILLE	ABSTANDSSTÜCK
51	P1020051		SPESSORE	WASHER	RONDELLE	SCHEIBE
52	P1020053		SPESSORE	WASHER	RONDELLE	SCHEIBE
53	P1010076		VITE	SCREW	VIS	SCHRAUBE
54	P1020055		RONDELLA	WASHER	RONDELLE	SCHEIBE
55	P4030010		COPERCHIO MOLLA	SPRING COVER	COUVERCLE	FEDERHALTER
56	P3170012		PARAOLIO	OIL SEAL	JOINT D'ARBRE	WELLENDICHTRING
57	P1010075		VITE	SCREW	VIS	SCHRAUBE
58	1050003A1		DADO	NUT	ÉCROU	MUTTER
59	P3030010		CUSCINETTO	BEARING	PALIER	LAGER
60	P1020051		SPESSORE	WASHER	RONDELLE	SCHEIBE
61	P3170013		O-RING	O-RING	JOINT TORIQUE	GUMMIRING
62	P3040042		VITE SENZA FINE	WORM GEAR	VIS S. FIN	SCHNECKE
63	P00015281		RUOTA COMPL.	WHEEL ASS. Y	ROUE COMPL.	RAD KOMPL.
64	P00078665		RIDUTTORE COMPL.	GEAR BOX ASS. Y	RÉDUCTEUR COMPL.	GETRIEBE KOMP.

Vista stegola superiore e comandi, modello a spinta (IB-4255, IB-4255LS)

Upper handle and controls, push model (IB-4255, IB-4255LS)

Mancheron partie supérieur et éléments de commande, modèle poussé (IB-4255, IB-4255LS)

Lenkeroberteil und Bedienungselemente, Handgestoßen Modell (IB-4255, IB-4255LS)



REF. N°	PART. N°	QTY	DESCRIZIONE	DESCRIPTION	DESCRIPTION	BESCHREIBUNG
1	P02070162	1	STEGOLA superiore	UPPER HANDLEBAR	GUIDON SUPÉRIEUR	OB. FÜHRUNGSHOLM
2	P5080026	1	INTERRUTTORE (IB-4255)	SWITCH (IB-4255)	BOUTON (IB-4255)	SCHALTER (IB-4255)
2	P5080017	1	INTERRUTTORE (IB-4255LS)	SWITCH (IB-4255LS)	BOUTON (IB-4255LS)	SCHALTER (IB-4255LS)
3	P1010106	2	VITE	SCREW	VIS	SCHRAUBE
4	P5040002	1	FASCETTA	CLAMP	SUPPORT DE CORDE	HALTER
5	P2020102	1	PORTA CAVO	CABLE RETAINER CLIP	FIXE CÂBLE	ZUGENTLASTUNG



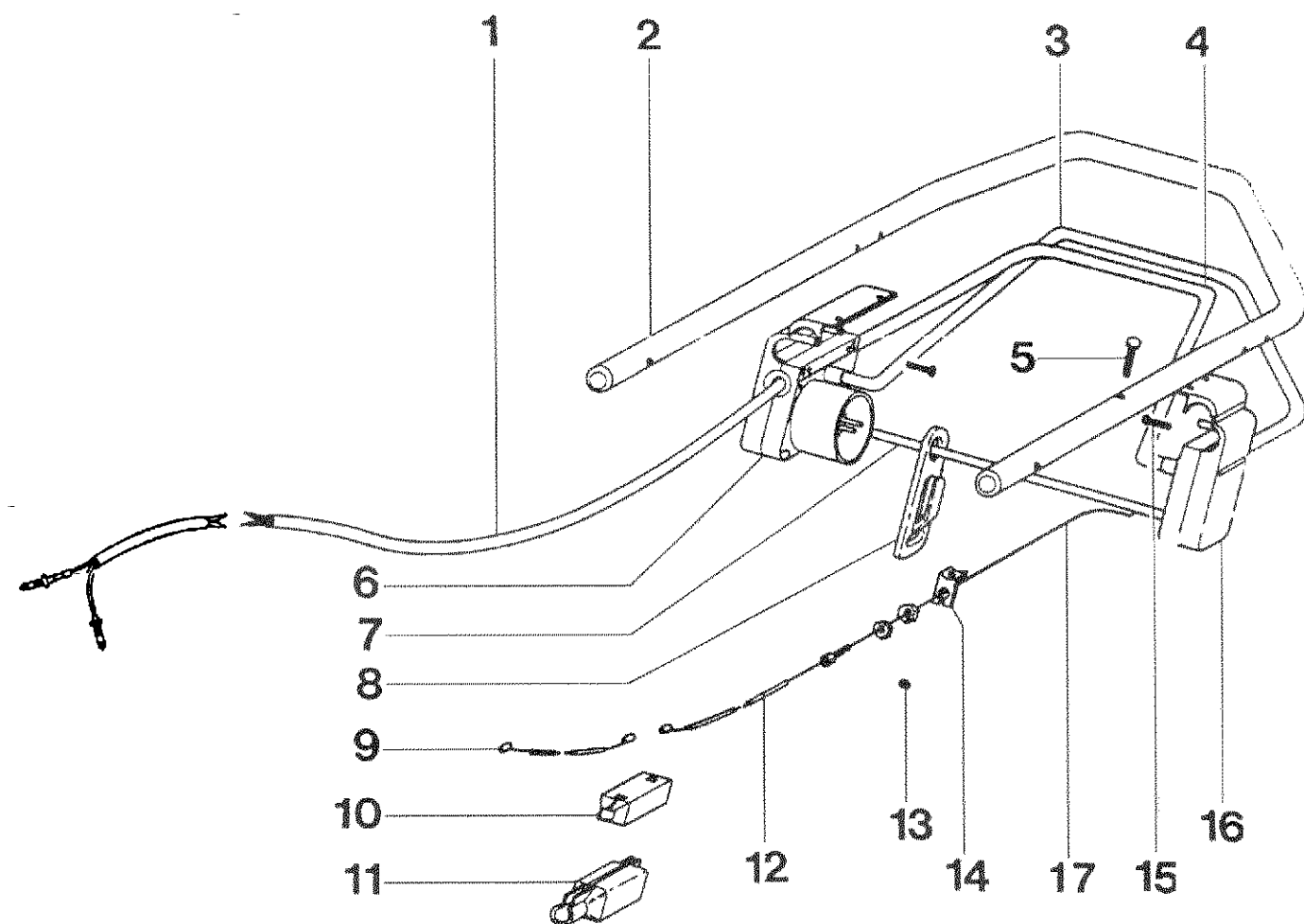
Tav. 5

Vista stegola superiore e comandi, modello a trazione (IB-4260, IB-4260LS)

Upper handle and controls, self-propelled model (IB-4260, IB-4260LS)

Mancheron partie supérieur et éléments de commande, modèle tracté (IB-4260, IB-4260LS)

Lenkeroberteil und Bedienungselemente, Modell mit Radantrieb (IB-4260, IB-4260LS)



REF. N°	PART. N°	QTY	DESCRIZIONE	DESCRIPTION	DESCRIPTION	BESCHREIBUNG
1	P5080003 P5080030		INTERRUTTORE (IB-4260) INTERRUTTORE (IB-4260LS)	SWITCH (IB-4260) SWITCH (IB-4260LS)	BOUTON (IB-4260) BOUTON (IB-4260LS)	SCHALTER (IB-4260) SCHALTER (IB-4260LS)
2	P02070163	1	STEGOLA superiore	UPPER HANDLEBAR	GUIDON SUPÉRIEUR	OB. FÜHRUNGSHOLM
3	P02042063		maniglia trazione	TRACTION LEVER	LEVIER DE TRACTION	ANTRIEBSHEBEL
4	P02041963		MANIGLIA INTERRUTTORE	SWITCH LEVER	LEVIER BOUTON	EINSCHALTHEBEL
5	P1010078		VITE	SCREW	VIS	SCHRAUBE
6	P1080008	2	SPINA ELASTICA	PIN	GOUPILLE	STIFT
7	P01027157		ASTINA	ROD	TIGE	STAB
8	P2020102		PORTA CAVO	CABLE RETAINER CLIP	FIXE CÂBLE	ZUGENTLASTUNG
9	P5010024		CAVO TRAZIONE INF.	TRACTION CABLE, LOWER	CÂBLE TRACTION INF.	FAHRANTRIEBSKABEL
10	P2020116		GIUNTO	JOINT	CONNECTION	VERBINDUNG
11	P2020115		ISOLATORE	INSULATOR	ISOLATEUR	ISOLATOR
12	P5010034		CAVO TRAZIONE	TRACTION CABLE	CÂBLE TRACTION	FAHRANTRIEBSKABEL
13	1050003A1		DADO	NUT	ÉCROU	MUTTER
14	P4010060		PIASTRINA	PLATE	PLAQUE	BLECH
15	P1010107	4	VITE	SCREW	VIS	SCHRAUBE
16	P5080009		SUPPORTO	HOUSING	BOÎTE	GEHÄUSE
17	P5010018		CAVO	CABLE	CÂBLE	KABEL

Vista generale  
 Complete machine  
 Vue d'ensemble  
 Gesamtansicht

