

# Genuine Spare Parts

www.stiga.com

## SNOW FLAKE-POWER Model Year 2011/12

includes:

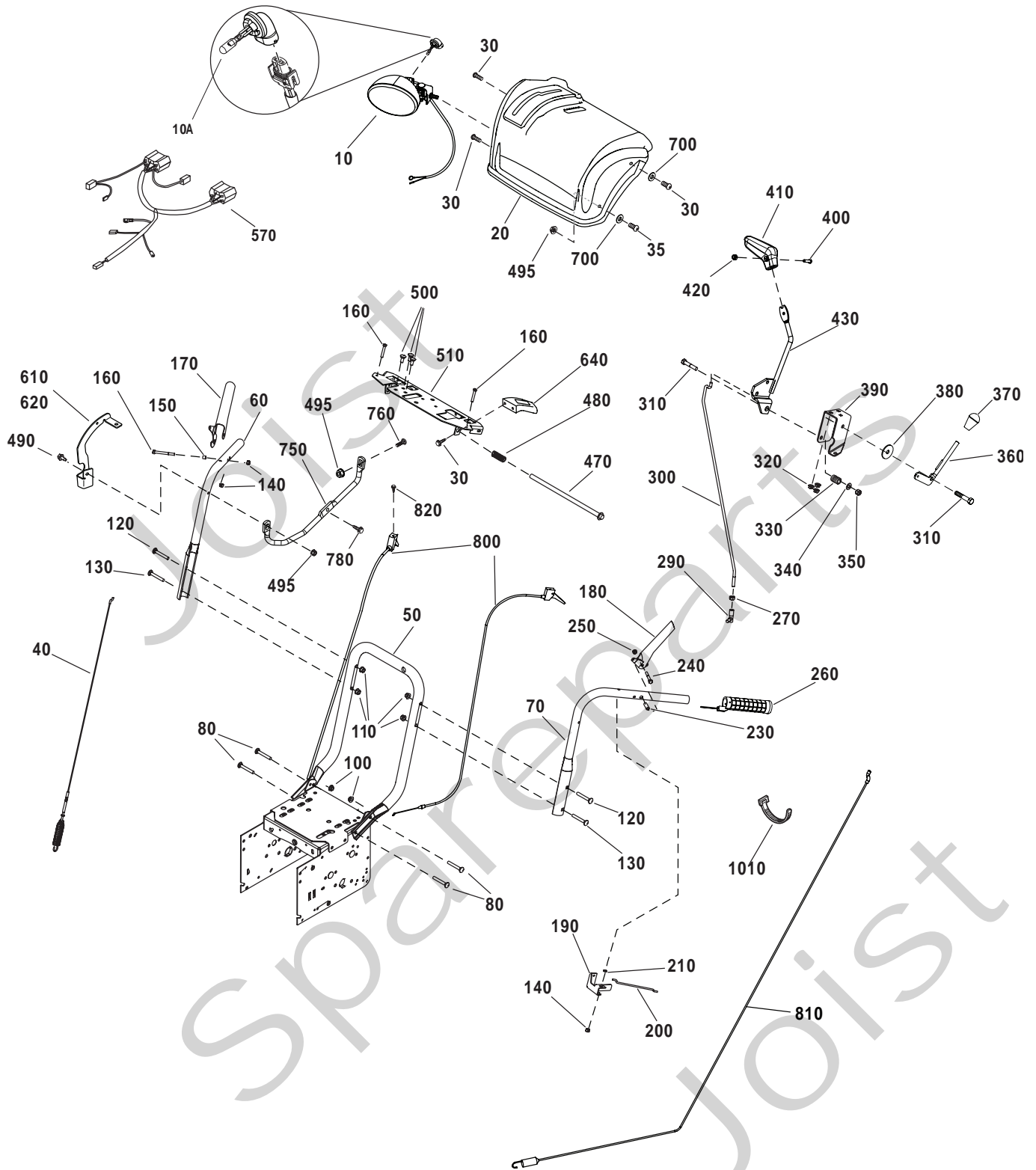
- 18-2829-32 Snow Flake
- 18-2847-32 Snow Power

- Use GLOBAL GARDEN PRODUCT Genuine Spare Parts specified in the parts list for repair and/or replacement.
- The contents described in the parts list may change due to improvement.
- The drawings of the spare parts are only indicative and might not represent the part in question exactly.
- The indications "right" - "left" - "front" - "rear" refer to the position of the operator when using the machine.
- When placing orders of parts for repair and/or replacement, make sure that the illustrated parts list is the one applying to the machine's year of manufacture, as shown on the identification plate attached to the machine.

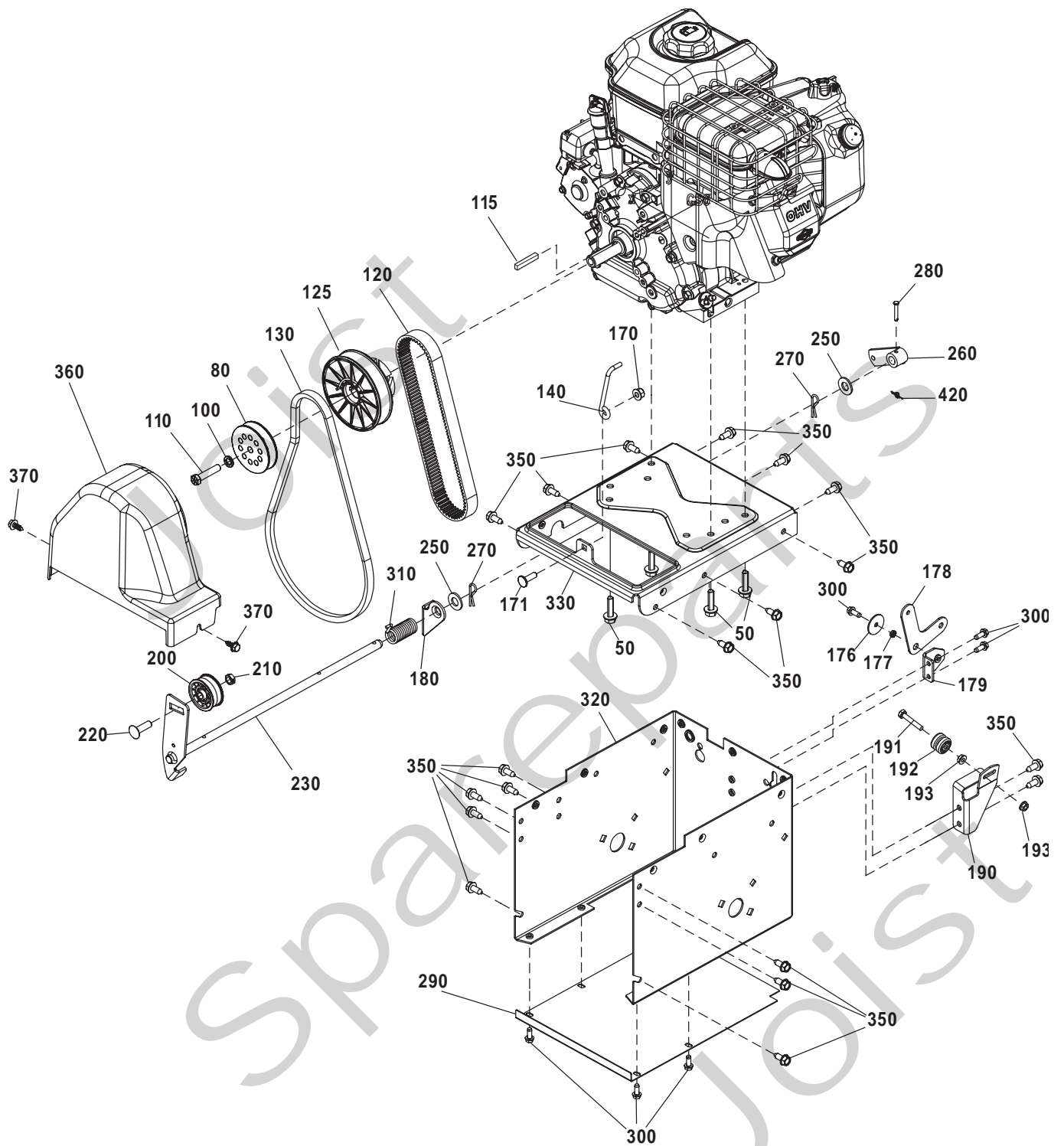
COPYRIGHT by GLOBAL GARDEN PRODUCTS

All rights reserved. No part of this material may be reproduced or transmitted, in any form or by any means, electronic or mechanical, including photocopying, recording or by any information storage and retrieval system, without permission in writing from GLOBAL GARDEN PRODUCTS.

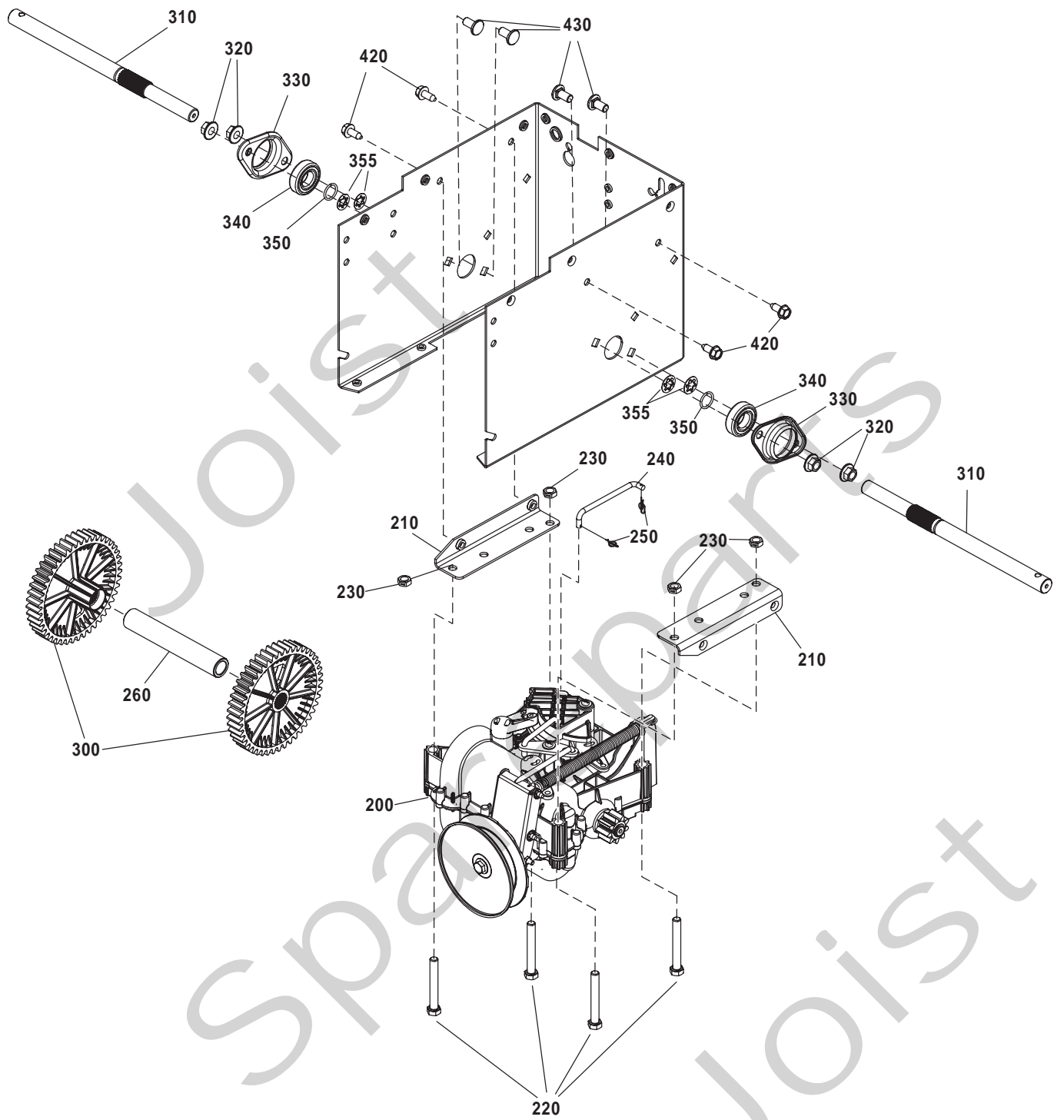
**STIGA**®



Utgåva Issue		Bildnr Picture No		SNOW FLAKE- SNOW POWER STYRE REGLAGE		SNOW FLAKE- SNOW POWER HANDLE CONTROLS		Sida Page	
2011- 14		2774A						82	
Pos. Fig.	Antal/Quantity			Art nr Part No	Benämning	Description	Sats Kit	Anmärkning Notes	
	2829 -32	2847 -32							
10	1	1		1812-2548-01	Strålkastare kpl.....	Headlight assy.....			
10A	1	1		1812-1909-01	• Halogenlampa.....	• Halogene bulb .....			
20	1	1		1812-2628-01	Panel .....	Panel cover .....			
30	6	6		1812-2644-01	Skruv .....	Screw .....			
35	1	1		1812-2265-01	Skruv .....	Screw .....			
40	1	1		1812-2542-01	Reglagewire- snöskruv .....	Drive cable- auger .....			
50	1	1		1812-2519-01	Styre- undre.....	Handle- lower .....			
60	1	1		1812-2540-01	Styre- övre, hö .....	Handle- upper, RH .....			
70	1	1		1812-2541-01	Styre- övre, vä .....	Handle- upper, LH .....			
80	4	4		1812-2545-01	Vagnsbult .....	Carriage bolt .....			
100	4	4		9795-3631-02	Mutter .....	Nut .....			
110	6	6		9743-3621-32	Mutter.....	Nut .....			
120	2	2		1812-2479-01	Vagnsbult .....	Carriage bolt .....			
130	2	2		1812-2476-01	Vagnsbult .....	Carriage bolt .....			
140	4	4		9743-3521-32	Mutter.....	Nut .....			
150	2	2		1812-2148-01	Distans .....	Spacer .....			
160	4	4		9988-3545-12	Skruv .....	Screw .....			
170	1	1		1812-2606-01	Koppl.reglage- hö .....	Clutch lever- RH .....			
180	1	1		1812-2605-01	Koppl.reglage- vä .....	Clutch lever- LH .....			
190	1	1		1812-2231-01	Fäste .....	Bracket .....			
200	1	1		1812-2404-01	Stång .....	Hold down rod .....			
210	1	1		1812-2206-01	Distans .....	Spacer .....			
230	2	2		1812-2412-01	Distans .....	Stepped spacer .....			
240	2	2		1812-2623-01	Ansatsbult .....	Shoulder bolt .....			
250	2	2		1812-2256-01	Mutter.....	Nut .....			
260	2	2		1812-2351-01	Handtag .....	Hand grip .....			
270	1	1		9794-5131-02	Mutter.....	Nut .....			
290	1	1		1812-2562-01	Kulled .....	Ball joint .....			
300	1	1		1812-2529-01	Reglagestång.....	Speed select rod .....			
310	2	2		9988-3751-12	Skruv .....	Screw .....			
320	3	3		9727-3641-22	Mutter.....	Nut .....			
330	2	2		1812-0304-01	Fjäder.....	Spring .....			
340	2	2		9699-0029-02	Planbricka.....	Flat washer.....			
350	2	2		9743-3721-32	Mutter.....	Nut .....			
X 360	1	1		1812-2725-01	Spak- deflektor.....	Lever- deflector contr.....			
370	1	1		1812-2182-01	Knopp.....	Knob .....			
380	1	1		1812-2648-01	Distans .....	Spacer .....			
390	1	1		1812-2417-01	Fäste .....	Controls brkt .....			
400	1	1		1812-2481-01	Skruv .....	Screw .....			
410	1	1		1812-2379-01	Knopp.....	Knob .....			
420	2	2		1812-2256-01	Mutter.....	Nut .....			
X 430	1	1		1812-2511-01	Regl.spak- hastighet .....	Speed lever .....			
470	1	1		1812-2718-01	Stång & fjäder .....	Rod & spring .....			
480	1	1		1812-2268-01	Tryckfjäder.....	Comp spring .....			
490	2	2		9988-3545-12	Skruv .....	Screw .....			
495	4	4		9743-3521-32	Mutter.....	Nut .....			
500	3	3		9899-3622-16	Skruv .....	Screw .....			
510	1	1		1812-2575-01	Panelfäste.....	Dash support .....			
570	1	1		1812-2632-01	Kablage.....	Wiring harness .....			
610	1	1		1812-2621-01	Fäste- hö .....	Mounting brkt- RH .....			
620	1	1		1812-2620-01	Fäste- vä .....	Mounting brkt- LH .....			
640	1	1		1812-2573-01	Brytarfäste- hö .....	Chute rotation pod- RH .....			
700	3	3		9699-0026-02	Planbricka.....	Flat washer.....			
750	1	1		1812-2543-01	Stag .....	Shift brace.....			
760	1	1		1812-2486-01	Vagnsbult .....	Carriage bolt .....			
780	1	1		1812-2474-01	Skruv .....	Screw .....			
800	2	2		1812-2538-01	Wire- styrkontroll.....	Cable- steering contr.....			
810	1	1		1812-2539-01	Wire- drivning.....	Cable- traction drive .....			
820	2	2		1812-2650-01	Skruv .....	Screw .....			
X 1010	4	4		9579-0003-00	Buntband.....	Cable holder .....			
X 9999	1	1		8218-2249-20	Bruksanvisning.....	Owner's manual .....		Ej ill/not ill.	



Utgåva Issue		Bildnr Picture No		SNOW FLAKE- SNOW POWER RAM MOTOR		SNOW FLAKE- SNOW POWER FRAME ENGINE		Sida Page	
2011- 14		2775						84	
Pos. Fig.	Antal/Quantity			Art nr Part No	Benämning	Description	Sats Kit	Anmärkning Notes	
	2829 -32	2847 -32							
50	4	4		9955-3732-12	Skruv.....	Screw.....			
80	1	1		1812-2537-01	Remskiva.....	Belt pulley.....			
100	1			9683-0030-02	Låsbricka.....	Lock washer.....		5/16"	
100		1		9683-0035-02	Låsbricka.....	Lock washer.....		3/8"	
110	1			9987-5145-12	Skruv.....	Screw.....		5/16-24x1-3/4"	
110		1		9987-5245-12	Bult.....	Bolt.....		3/8-24x1-3/4"	
115	1	1		1812-2645-01	Kil.....	Key.....			
120	1	1		1812-2515-01	Rem.....	Belt.....			
125	1	1		1812-2507-01	Remskiva.....	Belt pulley.....			
130	1	1		1812-9020-01	Drivrem.....	Drive belt.....			
140	1	1		1812-2532-01	Remstyrning.....	Belt stop.....			
170	1	1		9795-3631-02	Mutter.....	Nut.....			
171	1	1		9899-3625-16	Skruv.....	Screw.....			
176	1	1		1812-2643-01	Bricka.....	Washer.....			
177	1	1		1812-2206-01	Distans.....	Spacer.....			
178	1	1		1812-2527-01	Arm.....	Bell crank.....			
179	1	1		1812-2526-01	Fäste- nedre.....	Bracket- lower.....			
180	1	1		1812-2522-01	Stödfäste- spännarm.....	Supp.brkt- auger idler.....			
190	1	1		1812-2530-01	Fäste- ledrulle.....	Bracket- guide wheel.....			
191	1	1		9988-3538-12	Skruv.....	Screw.....			
192	1	1		1812-1205-01	Spole.....	Spool.....			
193	2	2		9743-3521-32	Mutter.....	Nut.....			
200	1	1		1812-2077-01	Spännrulle.....	Tension roller.....			
210	1	1		9743-3721-32	Mutter.....	Nut.....			
220	1	1		9899-3732-16	Skruv.....	Screw.....			
230	1	1		1812-2521-01	Spännarm- snöskruv.....	Auger idler.....			
250	2	2		9699-0038-02	Planbricka.....	Flat washer.....			
260	1	1		1812-2308-01	Reglagearm.....	Control arm.....			
270	2	2		1812-2490-01	Låsnål.....	Hair pin.....			
280	1	1		1812-2407-01	Sprint.....	Clevis pin.....			
290	1	1		1812-2516-01	Bottenplåt.....	Bottom panel.....			
300	7	7		1812-2250-01	Skruv.....	Screw.....			
310	1	1		1812-2531-01	Vridfjäder.....	Torsional spring.....			
320	1	1		1812-2514-01	Ram.....	Frame box.....			
X 330		1		1812-2736-01	Motorplatta.....	Plate, engine mount.....			
X 330	1			1812-2737-01	Motorplatta.....	Plate, engine mount.....			
350	19	19		1812-2141-01	Skruv.....	Screw.....			
360	1	1		1812-2622-01	Remskydd.....	Belt cover.....			
X 370	2	2		1812-2748-01	Skruv.....	Screw.....			
420	1	1		1812-2281-01	Låsnål.....	Cotter pin.....			



Utgåva Issue		Bildnr Picture No		SNOW FLAKE- SNOW POWER DRIVNING	SNOW FLAKE- SNOW POWER TRANSMISSION	Sida Page		
2011-14		2776				86		
Pos. Fig.	Antal/Quantity			Art nr Part No	Benämning	Description	Sats Kit	Anmärkning Notes
	2829 -32	2847 -32						
200	1	1		1812-2508-01	Transmission kpl .....	Transmission assy .....		
210	2	2		1812-2518-01	Fäste .....	Bracket .....		
220	4	4		1812-2658-01	Skruv .....	Cap screw .....		
230	4	4		9743-3721-32	Mutter .....	Nut .....		
240	1	1		1812-2528-01	Reglagestång .....	Speed select rod .....		
250	2	2		1812-2281-01	Låsnål .....	Cotter pin .....		
260	1	1		1812-2524-01	Stödrör .....	Support tube .....		
300	2	2		1812-2525-01	Drev .....	Drive gear .....		
310	2	2		1812-2523-01	Axel .....	Axle .....		
320	4	4		1132-0695-01	Mutter .....	Nut .....		
330	2	2		1812-2408-01	Lagerhållare .....	Bearing retainer .....		
340	2	2		1812-1920-01	Kullager .....	Ball bearing .....		
350	2	2		1812-2546-01	Låsring .....	Retaining ring .....		
355	4	4		1812-2647-01	Låsbricka .....	Bolt retainer .....		
420	4	4		1812-2141-01	Skruv .....	Screw .....		
430	4	4		1812-2544-01	Vagnsbult .....	Carriage bolt .....		

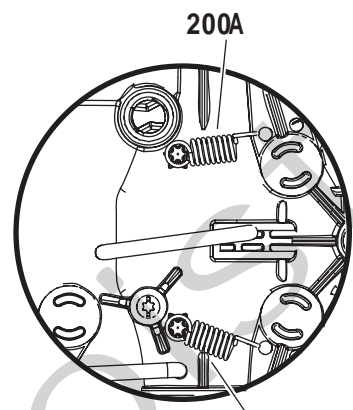
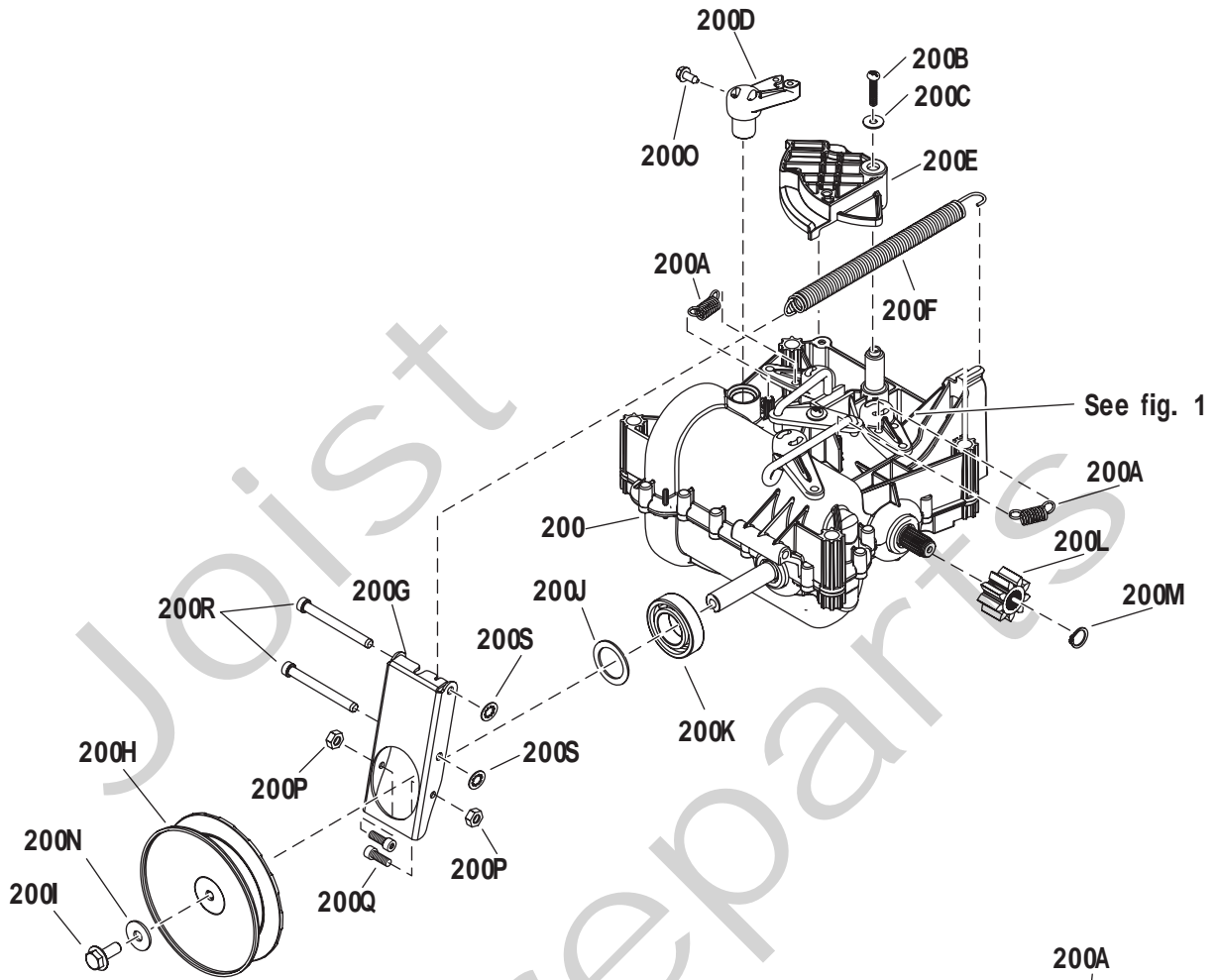
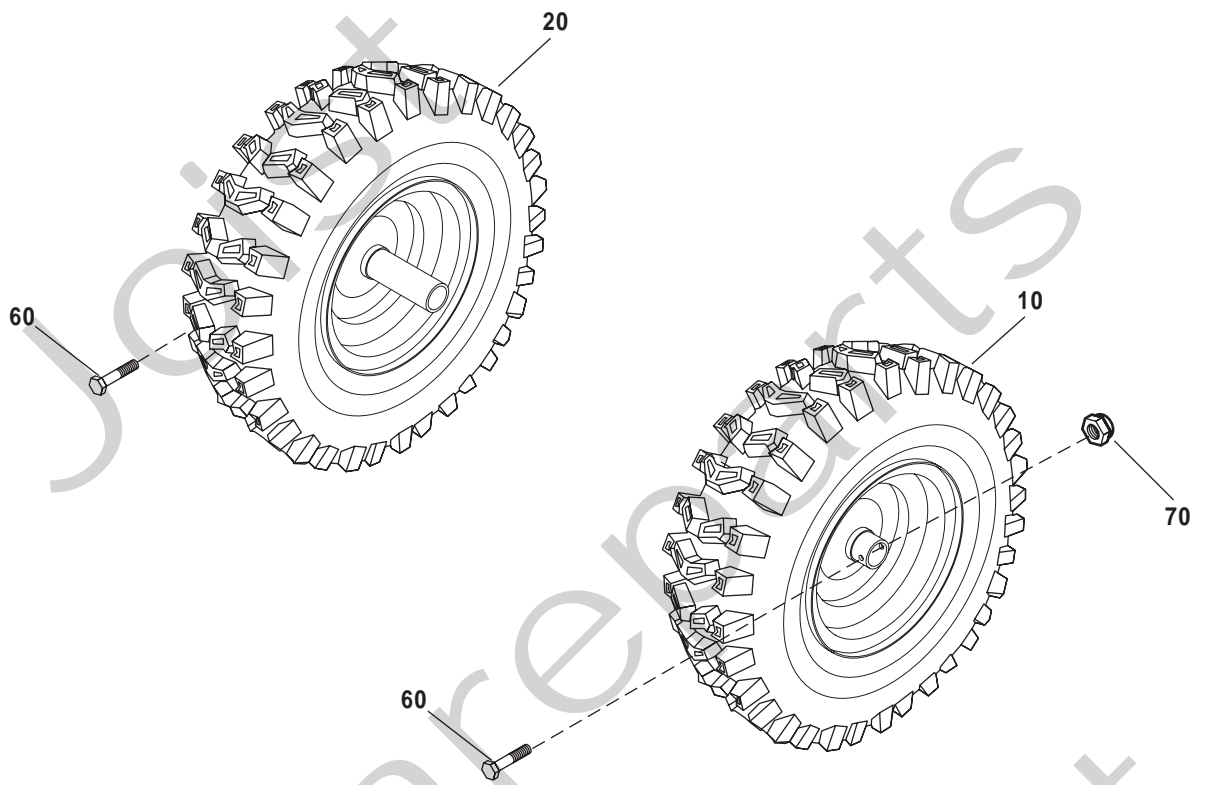


Fig. 1  
Top View of Transmission



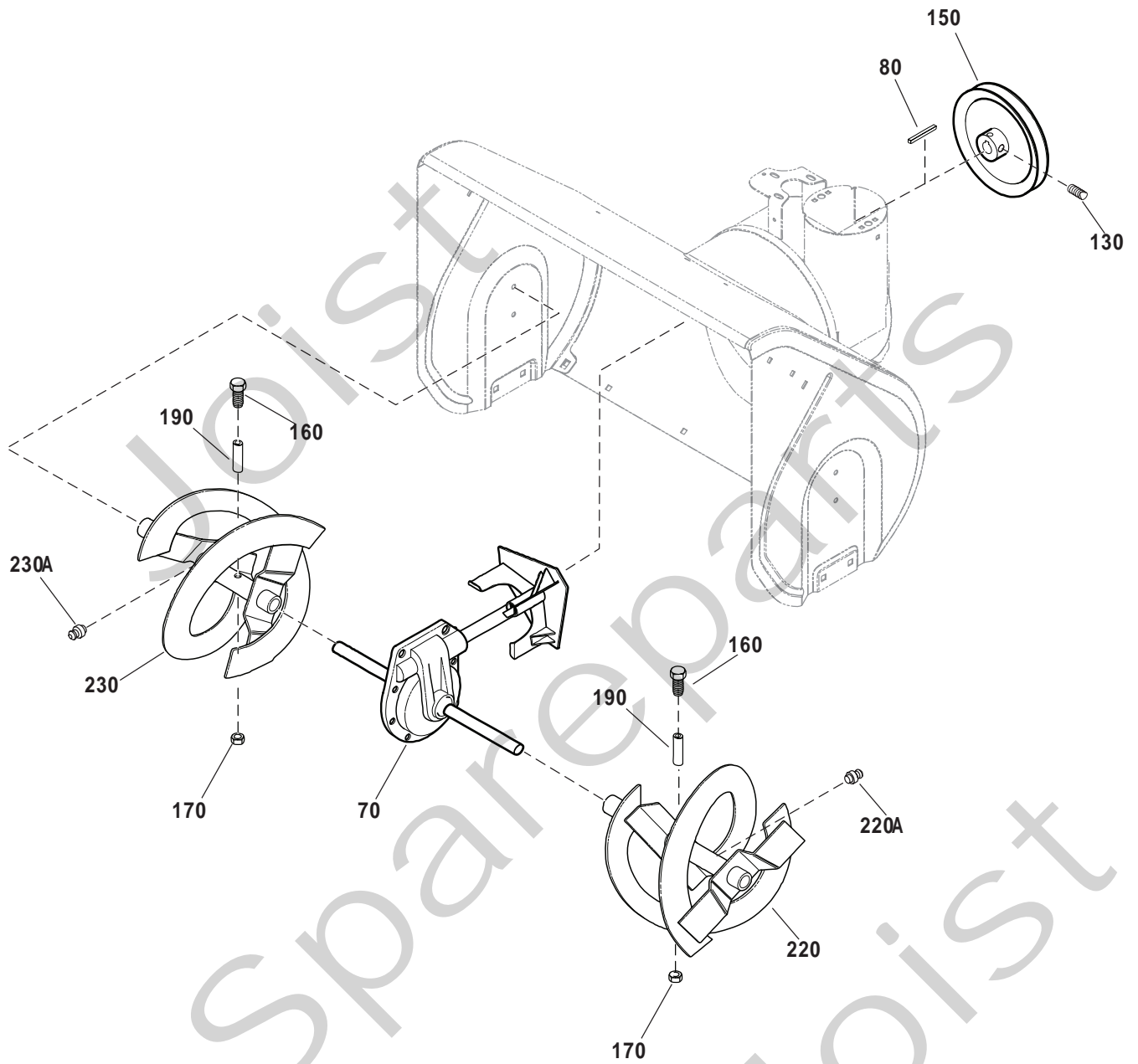
Utgåva Issue 2011-14		Bildnr Picture No 2777		SNOW FLAKE- SNOW POWER TRANSMISSION KPL RESERVDELAR		SNOW FLAKE- SNOW POWER TRANSMISSION ASSY SERVICE PARTS		Sida Page 88	
Pos. Fig.	Antal/Quantity				Art nr Part No	Benämning	Description	Sats Kit	Anmärkning Notes
	2829 -32	2847 -32							
200	1	1			1812-2508-01	Transmission kpl .....	Transmission assy .....		
200A	2	2			1812-2596-01	• Fjäder .....	• Traction spring .....		
200B	1	1			1812-2595-01	• Skruv .....	• Screw .....		
200C	1	1			1812-2591-01	• Bricka .....	• Washer .....		
200D	1	1			1812-2592-01	• Arm .....	• Lever .....		
200E	1	1			1812-2594-01	• Reglagekam .....	• Control cam .....		
200F	1	1			1812-2590-01	• Fjäder .....	• Variator spring .....		
200G	1	1			1812-2583-01	• Arm .....	• Shift arm .....		
200H	1	1			1812-2582-01	• Remskiva .....	• Pulley .....		
200I	1	1			1812-2580-01	• Skruv- vä .....	• Screw- left .....		
200J	1	1			1812-2588-01	• Bricka .....	• Washer .....		
200K	1	1			1812-2589-01	• Kullager .....	• Ball bearing .....		
200L	2	2			1812-2598-01	• Drev .....	• Gear .....		
200M	2	2			1812-2597-01	• Hållare- drev .....	• Retainer .....		
200N	1	1			1812-2581-01	• Bricka .....	• Washer .....		
200O	4	4			1812-2593-01	• Skruv .....	• Screw .....		
200P	2	2			1812-2584-01	• Mutter .....	• Nut .....		
200Q	2	2			1812-2585-01	• Insexbult .....	• Allen bolt .....		
200R	2	2			1812-2586-01	• Sprint .....	• Pin .....		
200S	4	4			1812-2587-01	• Starlockbricka .....	• Starlock washer .....		



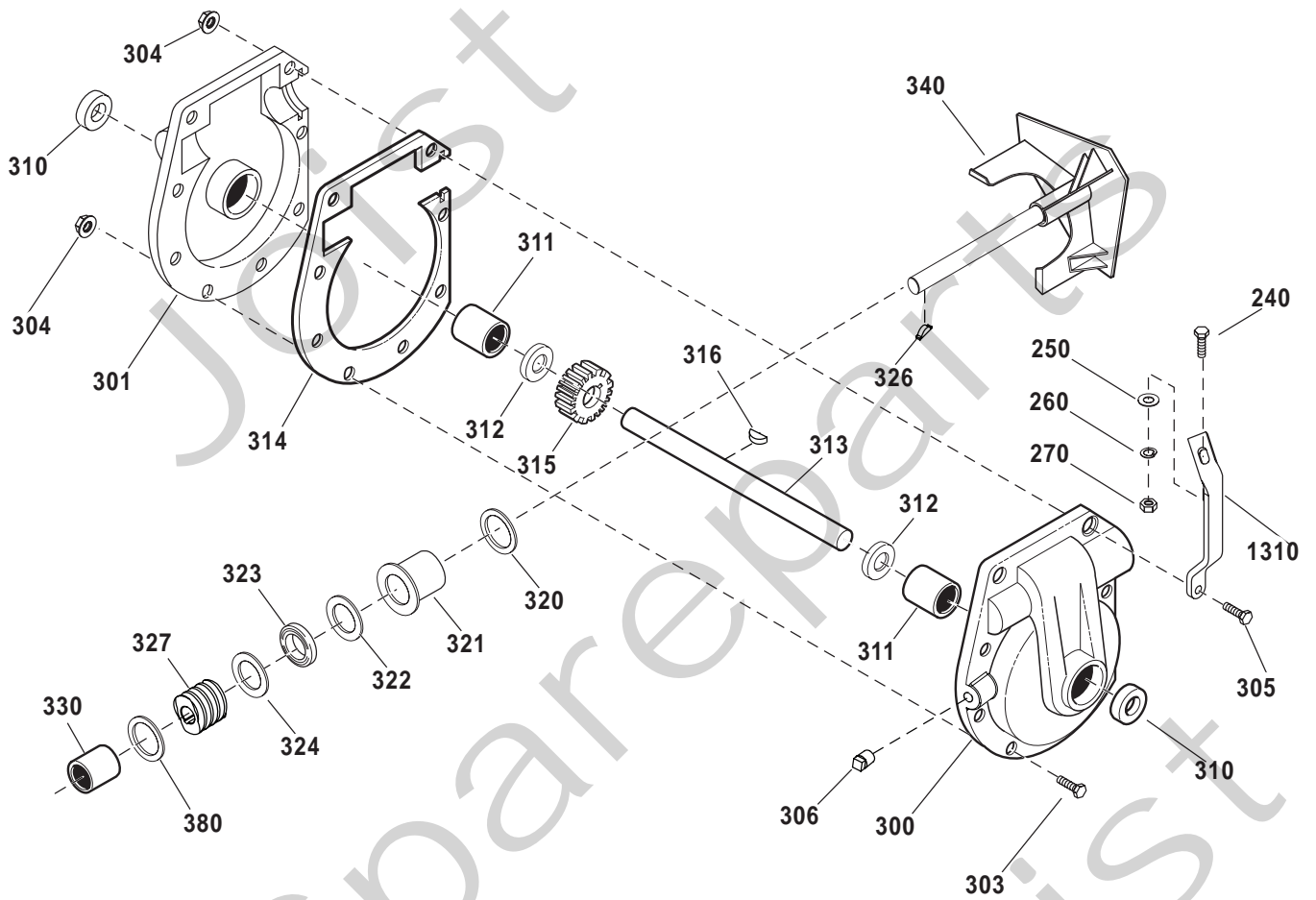
Utgåva Issue 2011-14		Bildnr Picture No 2778		SNOW FLAKE- SNOW POWER HJUL		SNOW FLAKE- SNOW POWER WHEELS		Sida Page 90	
Pos. Fig.	Antal/Quantity			Art nr Part No	Benämning	Description	Sats Kit	Anmärkning Notes	
	2829 -32	2847 -32							
10	1	1		1812-2633-01	Hjul kpl-vä.....	Wheel & tire assy-LH .....			
20	1	1		1812-2634-01	Hjul kpl-hö .....	Wheel & tire assy-RH .....			
60	2	2		1812-1114-01	Bult .....	Bolt .....			
70	2	2		1812-1760-01	Mutter .....	Nut .....			



Utgåva Issue		Bildnr Picture No		SNOW FLAKE- SNOW POWER INMATNINGSHUS	SNOW FLAKE- SNOW POWER AUGER HOUSING	Sida Page		
Pos. Fig.	Antal/Quantity			Art nr Part No	Benämning	Description	Sats Kit	Anmärkning Notes
	2829 -32	2847 -32						
X	10	1		1812-2720-01	Inmatningshus.....	Auger housing.....		29" (74 cm)
X	10		1	1812-2721-01	Inmatningshus.....	Auger housing.....		33" (84 cm)
	20	2	2	1812-2413-01	Klämma .....	Spring clamp.....		
	30	2	2	1812-2480-01	Skruv .....	Screw .....		
	40	2	2	1812-2655-01	Mutter.....	Nut .....		
	60	1	1	1812-2400-01	Borste.....	Cleanout brush.....		
	70	2	2	1812-0347-01	Lager .....	Bearing.....		
	80	4	4	1812-1833-01	Skruv .....	Screw .....		
	90	4	4	1812-2487-01	Vagnsbult .....	Carriage bolt .....		
	100	4	4	9743-3721-32	Mutter .....	Nut .....		
	110	7	9	9727-3641-22	Mutter.....	Nut .....		
	150	2	2	1812-2466-01	Släpsko.....	Skid shoe .....		
	160	1		1812-2436-01	Skrapskär .....	Scraper blade .....		29"
	160		1	1812-2446-01	Skrapskär .....	Scraper blade .....		33"
	170	1	1	1812-1690-01	Kullagerhållare.....	Ball bearing retainer.....		
	180	1	1	1812-2373-01	Kullager .....	Ball bearing .....		
	190	3	3	9899-3622-16	Skruv .....	Screw .....		
	200	2	2	1812-1430-01	Plugg .....	Plug .....		
	210	4	9	1812-2485-01	Vagnsbult .....	Carriage bolt .....		

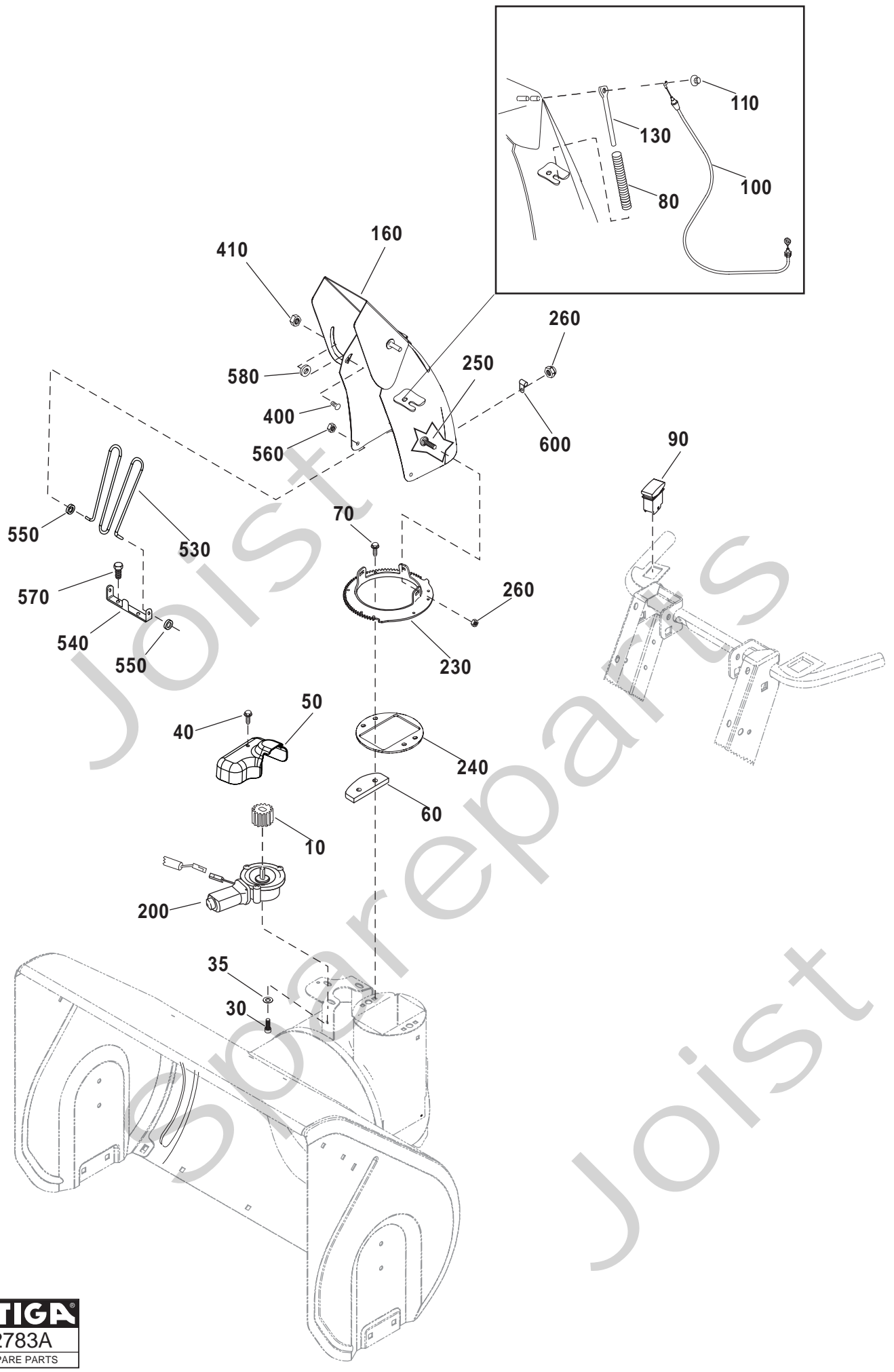


Utgåva Issue		Bildnr Picture No		SNOW FLAKE- SNOW POWER SNÖSKRUV	SNOW FLAKE- SNOW POWER AUGER	Sida Page		
2011- 14		2780A				94		
Pos. Fig.	Antal/Quantity			Art nr Part No	Benämning	Description	Sats Kit	Anmärkning Notes
	2829 -32	2847 -32						
X 70	1			1812-2759-01	Snäckväxel kpl.....	Gear case assy .....		29"
X 70		1		1812-2760-01	Snäckväxel kpl.....	Gear case assy .....		33"
80	1	1		1812-1609-01	Kil .....	Key .....		
130	3	3		1812-2640-01	Stoppskruv .....	Set screw .....		
150	1	1		1812-1854-01	Remskiva- snöskruv .....	Auger pulley .....		
160	2			1812-9005-01	Brytbultsats .....	Shear bolt kit.....		Inkl. pos 170-190
160		2		1812-9006-01	Brytbultsats .....	Shear bolt kit.....		Inkl. pos 170
170		2		1812-0811-01	• Låsmutter .....	• Locking nut .....		5/16"
170	2			1812-0812-01	• Låsmutter .....	• Locking nut .....		1/4"
190	2			1812-0531-01	• Distans .....	• Spacer.....		
220		1		1812-2423-01	Snöskruv- vä.....	Auger- LH.....		33"
220	1			1812-2463-01	Snöskruv- vä.....	Auger- LH.....		29"
220A	1	1		1812-2491-01	• Smörjnippel .....	• Grease fitting.....		
230		1		1812-2424-01	Snöskruv- hö .....	Auger- RH .....		33"
230	1			1812-2464-01	Snöskruv- hö .....	Auger- RH .....		29"
230A	1	1		1812-2491-01	• Smörjnippel .....	• Grease fitting.....		

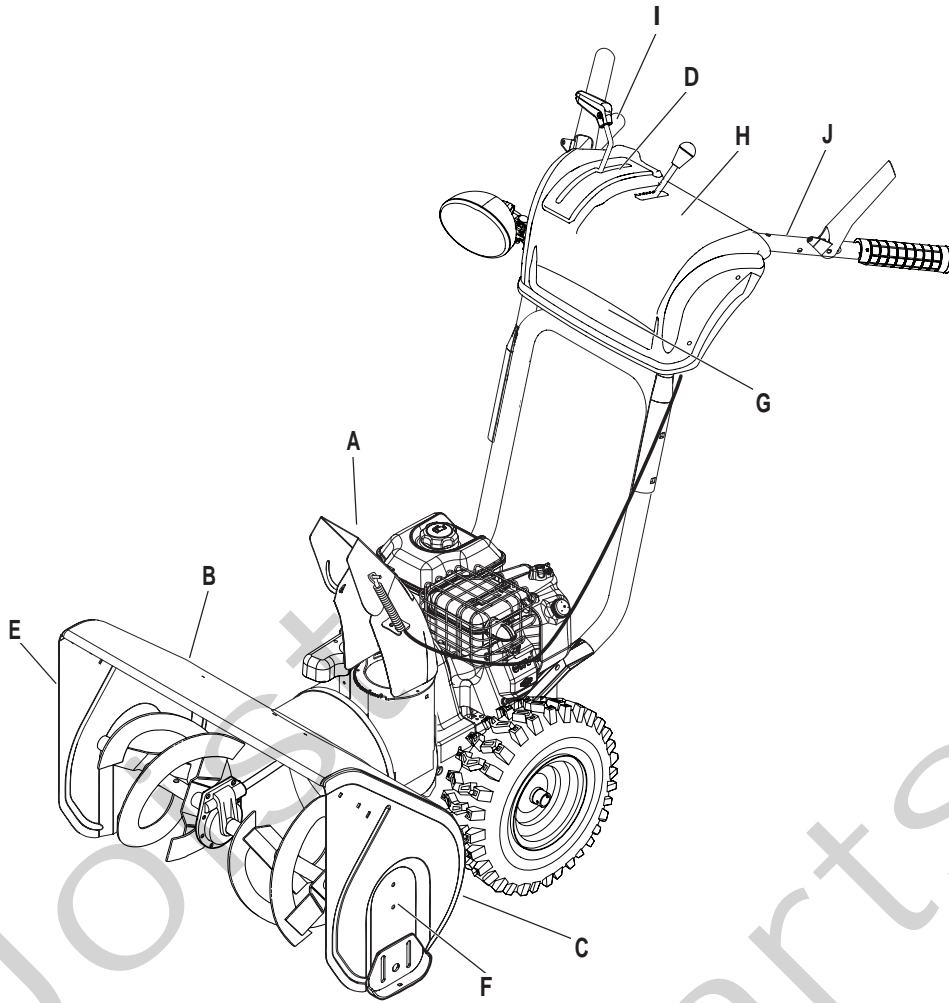




Utgåva Issue		Bildnr Picture No		SNOW FLAKE- SNOW POWER SNÄCKVÄXEL		SNOW FLAKE- SNOW POWER GEAR CASE		Sida Page	
2011- 14		2782A						96	
Pos. Fig.	Antal/Quantity			Art nr Part No	Benämning	Description	Sats Kit	Anmärkning Notes	
	2829 -32	2847 -32							
240		1		9988-3632-12	Skruv.....	Screw.....			
250		2		9699-0029-02	Planbricka.....	Flat washer.....			
260		1		9683-0030-02	Låsbricka.....	Lock washer.....			
270		1		1812-1759-01	Mutter.....	Nut.....			
300	1	1		1812-0227-01	Snäckväxelhus- vä.....	Gear case- LH.....			
301	1	1		1812-0228-01	Snäckväxelhus- hö.....	Gear case- RH.....			
303	7	7		9987-5125-16	Skruv.....	Screw.....			
304	8	8		9743-5121-02	Mutter.....	Nut.....			
305	1	1		9987-5145-12	Skruv.....	Screw.....			
306	1	1		1812-0346-01	Oljeplugg.....	Oil plug.....			
310	2	2		1812-0344-01	Tätningring.....	Ring.....			
311	2	2		1812-0343-01	Lager.....	Bearing.....			
312	2	2		1812-0345-01	Bricka.....	Washer.....			
313	1			1812-1442-01	Snöskruvaxel.....	Auger shaft.....		29"	
313		1		1812-2363-01	Snöskruvaxel.....	Auger shaft.....		33"	
314	1	1		1812-0226-01	Packning.....	Gasket.....			
X 315	1	1		1812-2755-01	Snäckdrev.....	Worm gear.....			
316	1	1		1812-0409-01	Woodruffkil.....	Woodruffkey.....			
320	1	1		1812-0341-01	Tätningring.....	Ring.....			
321	1	1		1812-1259-01	Flänslager.....	Flange bearing.....			
322	1	1		1812-0857-01	Bricka.....	Thrust washer.....			
323	1	1		1812-0285-01	Nållager.....	Needle bearing.....			
324	2	2		1812-0857-01	Bricka.....	Thrust washer.....			
326	1	1		1812-0307-01	Kil.....	Key.....			
327	1	1		1812-0336-01	Snäckdrev.....	Gear.....			
330	1	1		1812-0297-01	Lager.....	Bearing.....			
X 340				1812-2756-01	Fläkt.....	Impeller.....			
X 340		1		1812-2758-01	Fläkt.....	Impeller.....			
X 380	1	1		1812-2757-01	Låsring.....	Retaining ring.....			
1310		1		1812-2447-01	Stag.....	Gear box brace.....			



Utgåva Issue		Bildnr Picture No		SNOW FLAKE- SNOW POWER UTKAST	SNOW FLAKE- SNOW POWER DISCHARGE CHUTE	Sida Page		
2011- 14		2783A				98		
Pos. Fig.	Antal/Quantity			Art nr Part No	Benämning	Description	Sats Kit	Anmärkning Notes
	2829 -32	2847 -32						
X 10	1	1		1812-2375-01	Drev.....	Pinion.....		
30	3	3		1812-2741-01	Skruv.....	Screw.....		
35	3	3		9699-0099-02	Bricka.....	Washer.....		
40	1	1		1812-2474-01	Skruv.....	Screw.....		
50	1	1		1812-2415-01	Lock.....	Cover.....		
60	3	3		1812-2280-01	Hållare.....	Retainer.....		
70	6	6		1812-2257-01	Skruv.....	Screw.....		
80	1	1		1812-2509-01	Tryckfjäder.....	Compr. spring.....		
90	1	1		1812-2533-01	Strömbrytare.....	Switch- chute rotate.....		
100	1	1		1812-2626-01	Wire- deflektor.....	Cable- deflector contr.....		
110	1	1		1812-2255-01	Låsning.....	Push nut.....		
130	1	1		1812-2510-01	Stång.....	Spring guide rod.....		
160	1	1		1812-2535-01	Utkast.....	Chute.....		
X 200	1	1		1812-2735-01	Motor- rotation.....	Motor- spout rotator.....		
230	1	1		1812-2536-01	Ringdrev- utkast.....	Chute gear.....		
240	1	1		1812-2534-01	Adapter.....	Adapter- chute ring.....		
250	4	4		1812-1831-01	Skruv.....	Screw.....		
260	4	4		9795-3531-02	Mutter.....	Nut.....		
400	1	1		9899-3625-16	Skruv.....	Screw.....		
410	1	1		9743-3621-32	Mutter.....	Nut.....		
530	1	1		1812-2381-01	Utkastskydd.....	Chute guard.....		
540	1	1		1812-2416-01	Fäste.....	Chute guard brkt.....		
550	2	2		1812-2426-01	Hylsa.....	Grommet.....		
560	2	2		1812-2478-01	Snabbmutter.....	Push nut.....		
570	2	2		1812-2473-01	Skruv.....	Screw.....		
580	1	1		1812-2278-01	Nylonbricka.....	Nylon washer.....		
600	1	1		1812-2565-01	Kabelhållare.....	Cable clip.....		



1

A

I

J

D

H

B

E

F

G

C

Utgåva Issue 2011-14		Bildnr Picture No 2786A		SNOW FLAKE- SNOW POWER DEKALER		SNOW FLAKE- SNOW POWER LABELS		Sida Page 100	
Pos. Fig.	Antal/Quantity				Art nr Part No	Benämning	Description	Sats Kit	Anmärkning Notes
	2829 -32	2847 -32							
1 1	1	1			1812-2702-01 1812-2703-01	Dekalsats ..... Dekalsats .....	Label kit ..... Label kit .....		Inkl. A- J Inkl. A- J