

# Genuine Spare Parts

www.stiga.com

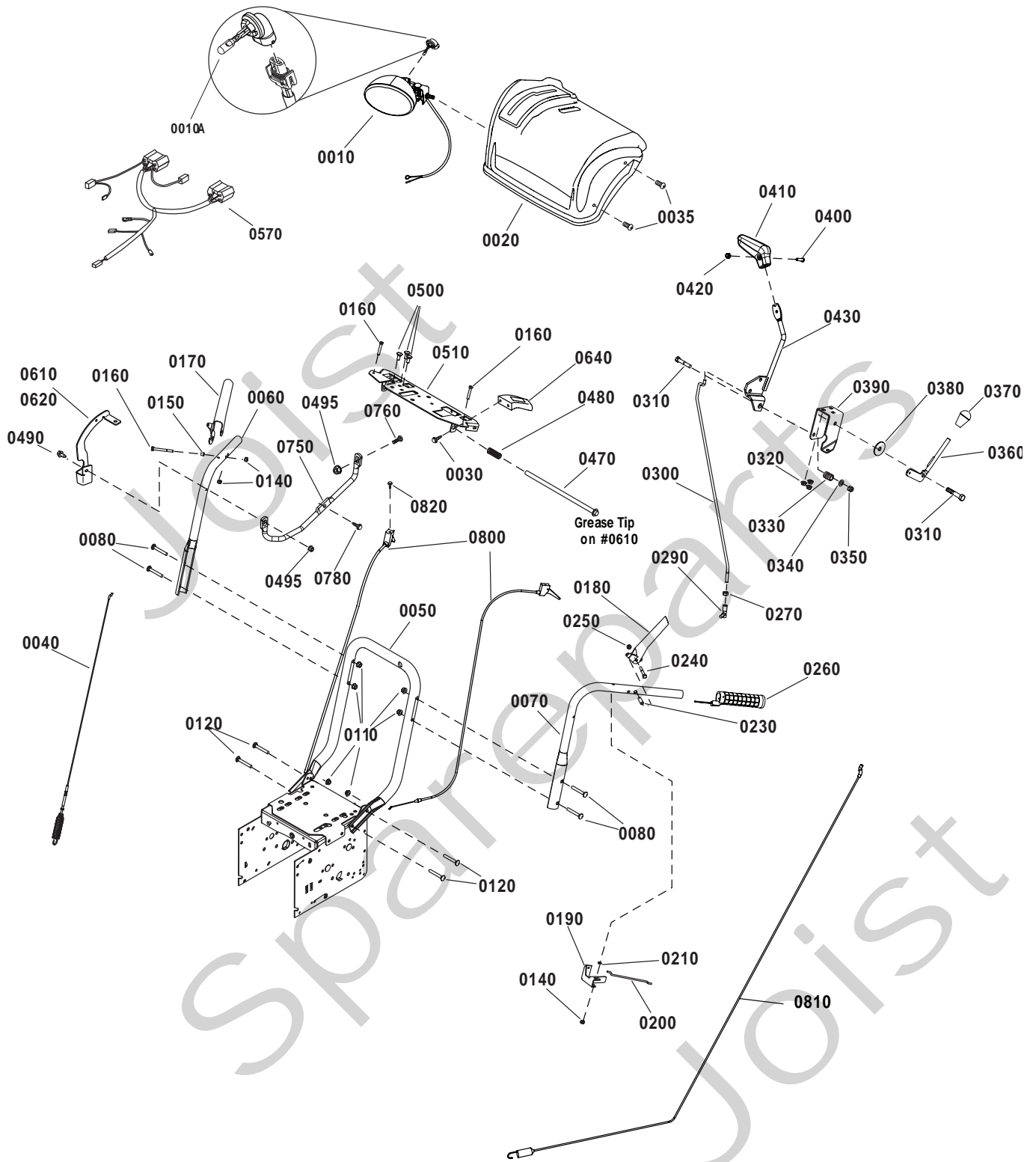
## SNOW FLAKE-SNOW POWER Model Year 2010/2011

- Use GLOBAL GARDEN PRODUCT Genuine Spare Parts specified in the parts list for repair and/or replacement.
- The contents described in the parts list may change due to improvement.
- The drawings of the spare parts are only indicative and might not represent the part in question exactly.
- The indications "right" - "left" - "front" - "rear" refer to the position of the operator when using the machine.
- When placing orders of parts for repair and/or replacement, make sure that the illustrated parts list is the one applying to the machine's year of manufacture, as shown on the identification plate attached to the machine.

COPYRIGHT by GLOBAL GARDEN PRODUCTS

All rights reserved. No part of this material may be reproduced or transmitted, in any form or by any means, electronic or mechanical, including photocopying, recording or by any information storage and retrieval system, without permission in writing from GLOBAL GARDEN PRODUCTS.

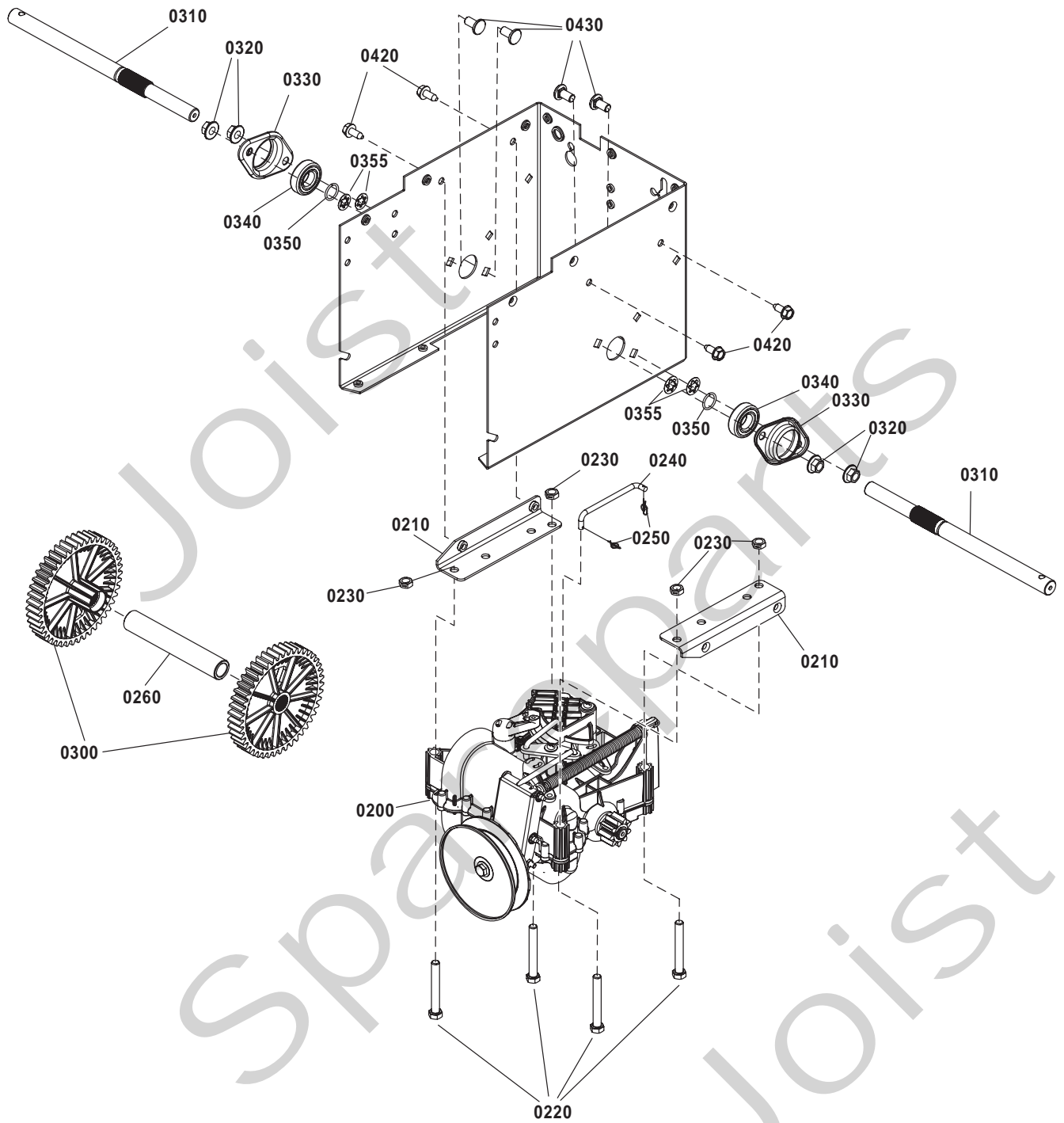




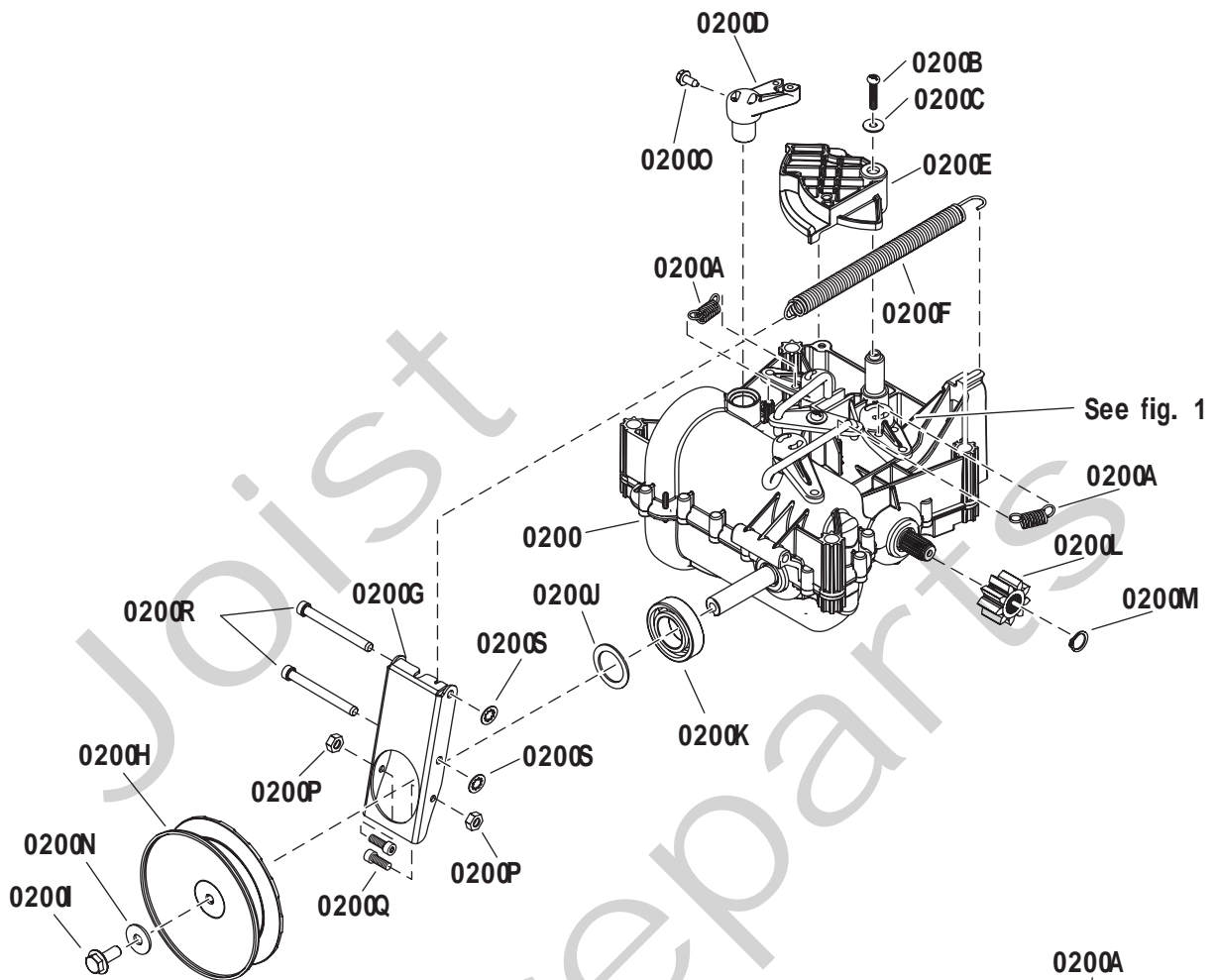
Utgåva Issue		Bildnr Picture No		SNOW FLAKE- SNOW POWER STYRE REGLAGE		SNOW FLAKE- SNOW POWER HANDLE CONTROLS		Sida Page	
2010- 14		2774						62	
Pos. Fig.	Antal/Quantity			Art nr Part No	Benämning	Description	Sats Kit	Anmärkning Notes	
	2829 -31	2847 -31							
X	10	1	1	1812-2548-01	Strålkastare kpl.....	Headlight assy.....			
	10A	1	1	1812-1909-01	• Halogenlampa.....	• Halogene bulb .....			
X	20	1	1	1812-2628-01	Panel .....	Panel cover .....			
X	30	1	1	1812-2265-01	Skruv .....	Screw .....			
X	35	4	4	1812-2644-01	Skruv .....	Screw .....			
X	40	1	1	1812-2542-01	Reglagewire- snöskruv .....	Drive cable- auger .....			
X	50	1	1	1812-2519-01	Styre- undre.....	Handle- lower .....			
X	60	1	1	1812-2540-01	Styre- övre, hö .....	Handle- upper, RH .....			
X	70	1	1	1812-2541-01	Styre- övre, vä .....	Handle- upper, LH .....			
X	80	4	4	1812-2545-01	Vagnsbult .....	Carriage bolt .....			
	110	6	6	9743-3621-32	Mutter .....	Nut .....			
	120	4	4	1812-2479-01	Vagnsbult .....	Carriage bolt .....			
	140	4	4	9743-3521-32	Mutter .....	Nut .....			
	150	2	2	1812-2148-01	Distans .....	Spacer .....			
	160	4	4	9988-3545-12	Skruv .....	Screw .....			
X	170	1	1	1812-2606-01	Koppl.reglage- hö .....	Clutch lever- RH .....			
X	180	1	1	1812-2605-01	Koppl.reglage- vä .....	Clutch lever- LH.....			
	190	1	1	1812-2231-01	Fäste .....	Bracket .....			
	200	1	1	1812-2404-01	Stång .....	Hold down rod .....			
	210	1	1	1812-2206-01	Distans .....	Spacer .....			
	230	2	2	1812-2412-01	Distans .....	Stepped spacer .....			
X	240	2	2	1812-2623-01	Ansatsbult .....	Shoulder bolt .....			
	250	2	2	1812-2256-01	Mutter .....	Nut .....			
	260	2	2	1812-2351-01	Handtag .....	Hand grip .....			
	270	1	1	9794-5131-02	Mutter .....	Nut .....			
X	290	1	1	1812-2562-01	Kulled .....	Ball joint .....			
X	300	1	1	1812-2529-01	Reglagestång .....	Speed select rod .....			
	310	2	2	9988-3751-12	Skruv .....	Screw .....			
	320	3	3	9727-3641-22	Mutter .....	Nut .....			
	330	2	2	1812-0304-01	Fjäder .....	Spring .....			
	340	2	2	9699-0029-02	Planbricka .....	Flat washer .....			
	350	2	2	9743-3721-32	Mutter .....	Nut .....			
	360	1	1	1812-2180-01	Spak- utkast .....	Chute lever .....			
	370	1	1	1812-2182-01	Knopp .....	Knob .....			
X	380	1	1	1812-2648-01	Distans .....	Spacer .....			
	390	1	1	1812-2417-01	Fäste .....	Controls brkt .....			
	400	1	1	1812-2481-01	Skruv .....	Screw .....			
	410	1	1	1812-2379-01	Knopp .....	Knob .....			
	420	2	2	1812-2256-01	Mutter .....	Nut .....			
X	430	1	1	1812-2511-01	Regl.spak- hastighet .....	Speed lever .....			
	470	1	1	1812-2233-01	Stång .....	Rod .....			
	480	1	1	1812-2268-01	Tryckfjäder .....	Comp spring .....			
	490	2	2	9988-3545-12	Skruv .....	Screw .....			
	495	4	4	9743-3521-32	Mutter .....	Nut .....			
	500	3	3	9899-3625-16	Skruv .....	Screw .....			
X	510	1	1	1812-2575-01	Panelfäste .....	Dash support .....			
X	570	1	1	1812-2632-01	Kablage .....	Wiring harness .....			
X	610	1	1	1812-2621-01	Fäste- hö .....	Mounting brkt- RH .....			
X	620	1	1	1812-2620-01	Fäste- vä .....	Mounting brkt- LH .....			
X	640	1	1	1812-2573-01	Brytarfäste- hö .....	Chute rotation pod- RH .....			
X	750	1	1	1812-2543-01	Stag .....	Shift brace .....			
	760	1	1	1812-2486-01	Vagnsbult .....	Carriage bolt .....			
	780	1	1	1812-2474-01	Skruv .....	Screw .....			
X	800	2	2	1812-2538-01	Wire- styrkontroll .....	Cable- steering contr .....			
X	810	1	1	1812-2539-01	Wire- drivning .....	Cable- traction drive .....			
X	820	2	2	1812-2650-01	Skruv .....	Screw .....			
X	999	1	1	8218-2249-99	Bruksanvisning .....	Owner's manual .....		Ej ill/not ill.	



Utgåva Issue 2010-14		Bildnr Picture No 2775		SNOW FLAKE- SNOW POWER RAM MOTOR		SNOW FLAKE- SNOW POWER FRAME ENGINE		Sida Page 64	
Pos. Fig.	Antal/Quantity			Art nr Part No	Benämning	Description	Sats Kit	Anmärkning Notes	
	2829 -31	2847 -31							
X 50	4	4		9955-3732-12	Skruv.....	Screw.....			
X 80	1	1		1812-2537-01	Remskiva.....	Belt pulley.....			
100	1	1		9683-0030-02	Låsbricka.....	Lock washer.....			
110	1	1		9987-5145-12	Skruv.....	Screw.....			
X 115	1	1		1812-2645-01	Kil.....	Key.....			
X 120	1	1		1812-2515-01	Rem.....	Belt.....			
X 125	1	1		1812-2507-01	Remskiva.....	Belt pulley.....			
130	1	1		1812-9020-01	Drivrem.....	Drive belt.....			
X 140	1	1		1812-2532-01	Remstyrning.....	Belt stop.....			
170	1	1		9795-3631-02	Mutter.....	Nut.....			
171	1	1		9899-3625-16	Skruv.....	Screw.....			
X 176	1	1		1812-2643-01	Bricka.....	Washer.....			
177	1	1		1812-2206-01	Distans.....	Spacer.....			
X 178	1	1		1812-2527-01	Arm.....	Bell crank.....			
X 179	1	1		1812-2526-01	Fäste- nedre.....	Bracket- lower.....			
X 180	1	1		1812-2522-01	Stödfäste- spännarm.....	Supp.brkt- auger idler.....			
X 190	1	1		1812-2530-01	Fäste- ledrulle.....	Bracket- guide wheel.....			
191	1	1		9988-3538-12	Skruv.....	Screw.....			
192	1	1		1812-1205-01	Spole.....	Spool.....			
193	2	2		9743-3521-32	Mutter.....	Nut.....			
200	1	1		1812-2077-01	Spännrulle.....	Tension roller.....			
210	1	1		9743-3721-32	Mutter.....	Nut.....			
220	1	1		9899-3732-16	Skruv.....	Screw.....			
X 230	1	1		1812-2521-01	Spännarm- snöskruv.....	Auger idler.....			
250	2	2		9699-0038-02	Planbricka.....	Flat washer.....			
260	1	1		1812-2308-01	Reglagearm.....	Control arm.....			
X 270	2	2		1812-2490-01	Låsnål.....	Hair pin.....			
280	1	1		1812-2407-01	Sprint.....	Clevis pin.....			
X 290	1	1		1812-2516-01	Bottenplåt.....	Bottom panel.....			
300	7	7		1812-2250-01	Skruv.....	Screw.....			
X 310	1	1		1812-2531-01	Vridfjäder.....	Torsional spring.....			
X 320	1	1		1812-2514-01	Ram.....	Frame box.....			
X 330	1	1		1812-2520-01	Motorplatta.....	Engine mount plate.....			
350	19	19		1812-2141-01	Skruv.....	Screw.....			
X 360	1	1		1812-2622-01	Remskydd.....	Belt cover.....			
370	2	2		1812-2474-01	Skruv.....	Screw.....			
420	1	1		1812-2281-01	Låsnål.....	Cotter pin.....			



Utgåva Issue		Bildnr Picture No		SNOW FLAKE- SNOW POWER DRIVNING		SNOW FLAKE- SNOW POWER TRANSMISSION		Sida Page	
2010- 14		2776						66	
Pos. Fig.	Antal/Quantity			Art nr Part No	Benämning	Description	Sats Kit	Anmärkning Notes	
	2829 -31	2847 -31							
X 200	1	1		1812-2508-01	Transmission kpl .....	Transmission assy .....			
X 210	2	2		1812-2518-01	Fäste .....	Bracket .....			
X 220	4	4		1812-2658-01	Skruv .....	Cap screw .....			
X 230	4	4		9743-3721-32	Mutter .....	Nut .....			
X 240	1	1		1812-2528-01	Reglagestång .....	Speed select rod .....			
X 250	2	2		1812-2281-01	Låsnål .....	Cotter pin .....			
X 260	1	1		1812-2524-01	Stödrör .....	Support tube .....			
X 300	2	2		1812-2525-01	Drev .....	Drive gear .....			
X 310	2	2		1812-2523-01	Axel .....	Axle .....			
X 320	4	4		1132-0695-01	Mutter .....	Nut .....			
X 330	2	2		1812-2408-01	Lagerhållare .....	Bearing retainer .....			
X 340	2	2		1812-1920-01	Kullager .....	Ball bearing .....			
X 350	2	2		1812-2546-01	Låsring .....	Retaining ring .....			
X 355	4	4		1812-2647-01	Låsbricka .....	Bolt retainer .....			
X 420	4	4		1812-2141-01	Skruv .....	Screw .....			
X 430	4	4		1812-2544-01	Vagnsbult .....	Carriage bolt .....			



See fig. 1

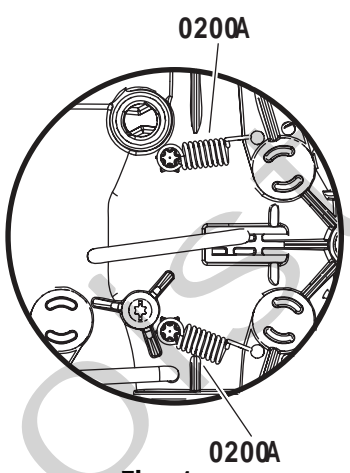
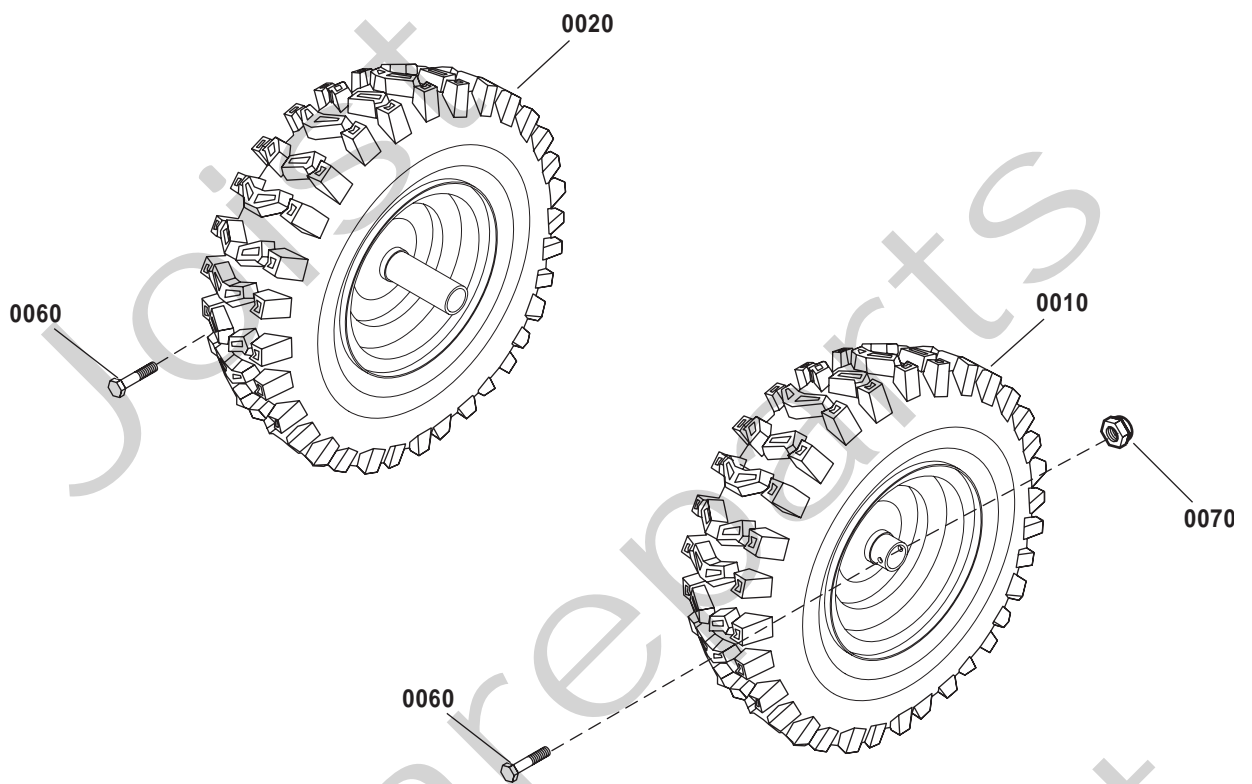


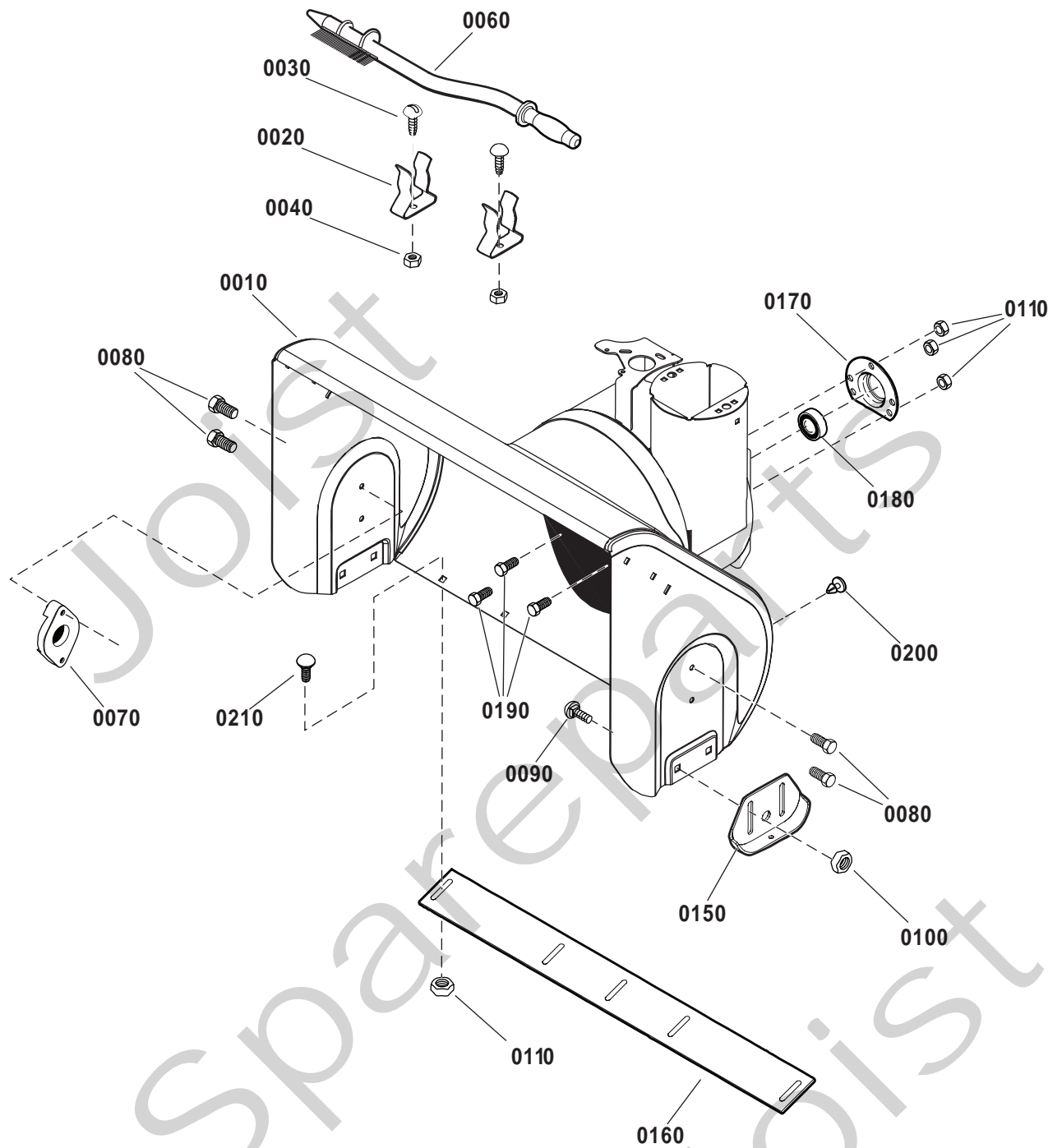
Fig. 1  
Top View of Transmission



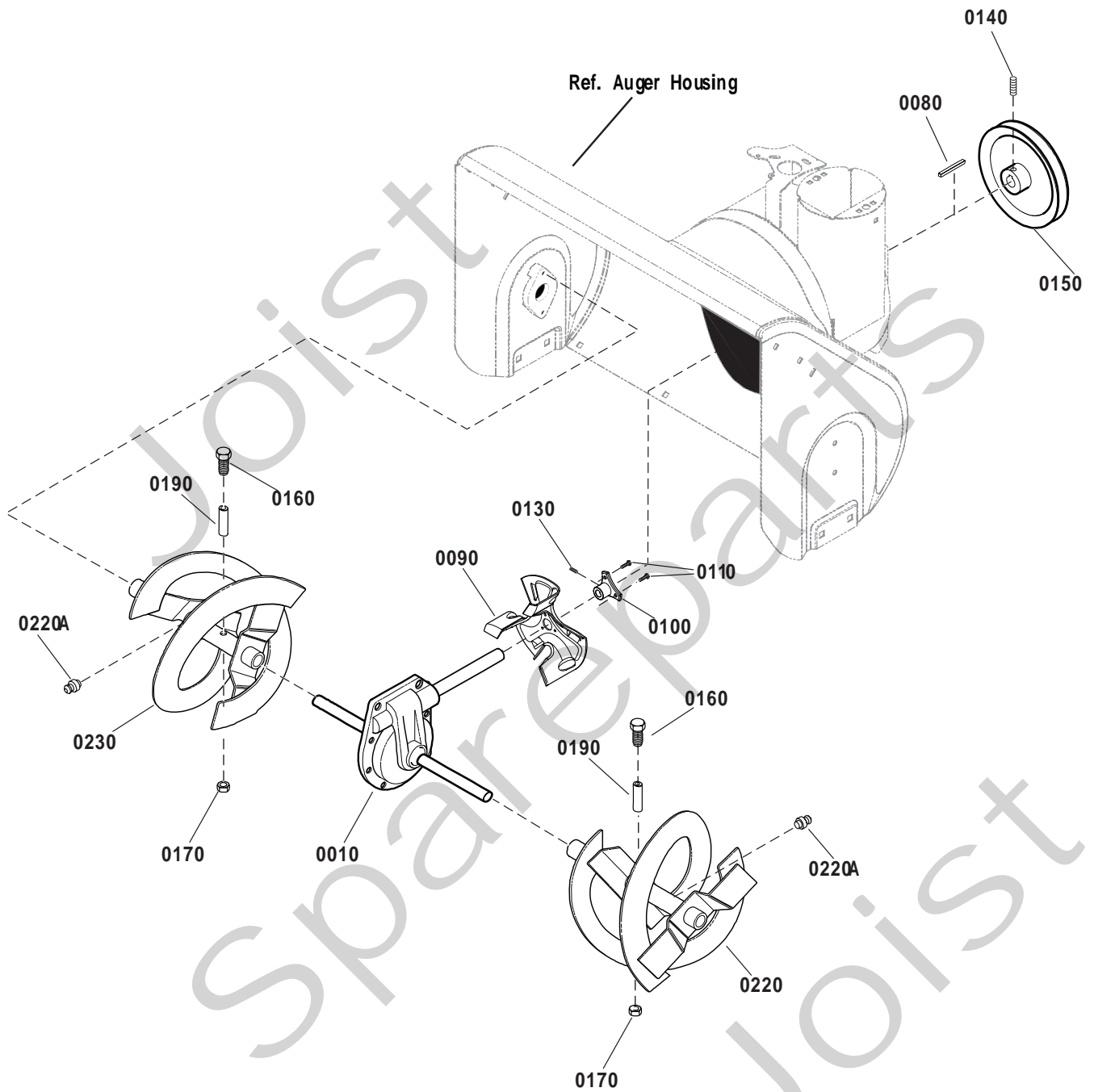
Utgåva Issue		Bildnr Picture No		SNOW FLAKE- SNOW POWER TRANSMISSION KPL RESERVDELAR		SNOW FLAKE- SNOW POWER TRANSMISSION ASSY SERVICE PARTS		Sida Page	
2010- 14		2777						68	
Pos. Fig.	Antal/Quantity				Art nr Part No	Benämning	Description	Sats Kit	Anmärkning Notes
	2829 -31	2847 -31							
X 200	1	1			1812-2508-01	Transmission kpl .....	Transmission assy .....		
X 200A	2	2			1812-2596-01	• Fjäder .....	• Traction spring .....		
X 200B	1	1			1812-2595-01	• Skruv .....	• Screw .....		
X 200C	1	1			1812-2591-01	• Bricka .....	• Washer .....		
X 200D	1	1			1812-2592-01	• Arm .....	• Lever .....		
X 200E	1	1			1812-2594-01	• Reglagekam .....	• Control cam .....		
X 200F	1	1			1812-2590-01	• Fjäder .....	• Variator spring .....		
X 200G	1	1			1812-2583-01	• Arm .....	• Shift arm .....		
X 200H	1	1			1812-2582-01	• Remskiva .....	• Pulley .....		
X 200I	1	1			1812-2580-01	• Skruv- vä .....	• Screw- left .....		
X 200J	1	1			1812-2588-01	• Bricka .....	• Washer .....		
X 200K	1	1			1812-2589-01	• Kullager .....	• Ball bearing .....		
X 200L	2	2			1812-2598-01	• Drev .....	• Gear .....		
X 200M	2	2			1812-2597-01	• Hållare- drev .....	• Retainer .....		
X 200N	1	1			1812-2581-01	• Bricka .....	• Washer .....		
X 200O	4	4			1812-2593-01	• Skruv .....	• Screw .....		
X 200P	2	2			1812-2584-01	• Mutter .....	• Nut .....		
X 200Q	2	2			1812-2585-01	• Insexbult .....	• Allen bolt .....		
X 200R	2	2			1812-2586-01	• Sprint .....	• Pin .....		
X 200S	4	4			1812-2587-01	• Starlockbricka .....	• Starlock washer .....		



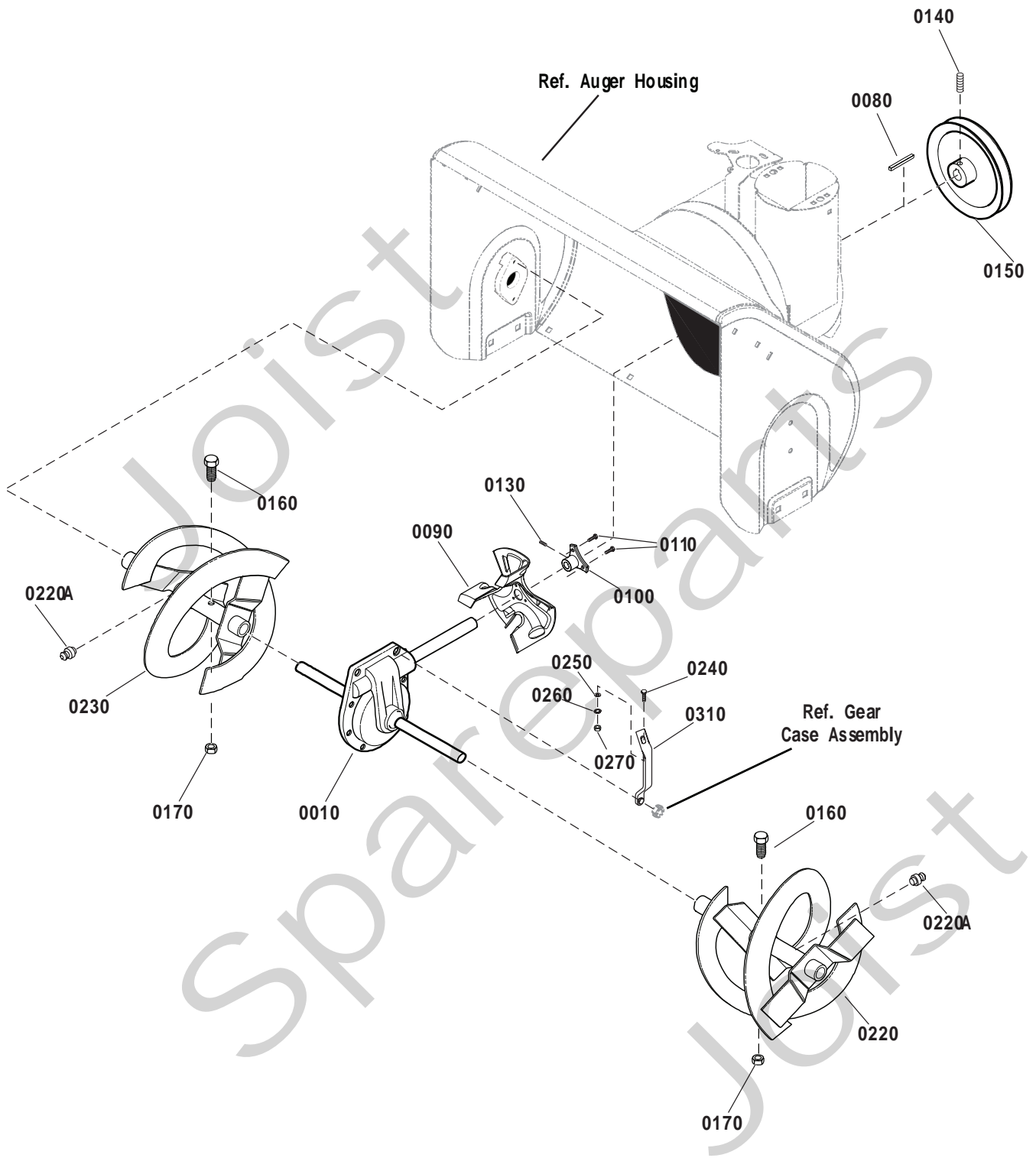
Utgåva Issue 2010-14		Bildnr Picture No 2778		SNOW FLAKE- SNOW POWER HJUL		SNOW FLAKE- SNOW POWER WHEELS		Sida Page 70	
Pos. Fig.	Antal/Quantity				Art nr Part No	Benämning	Description	Sats Kit	Anmärkning Notes
	2829 -31	2847 -31							
X X	10	1	1		1812-2633-01	Hjul kpl-vä.....	Wheel & tire assy-LH .....		
	20	1	1		1812-2634-01	Hjul kpl-hö .....	Wheel & tire assy-RH .....		
	60	2	2		1812-1114-01	Bult .....	Bolt .....		
	70	2	2		1812-1760-01	Mutter .....	Nut .....		



Utgåva Issue		Bildnr Picture No		SNOW FLAKE- SNOW POWER INMATNINGSHUS		SNOW FLAKE- SNOW POWER AUGER HOUSING		Sida Page	
2010- 14		2779						72	
Pos. Fig.	Antal/Quantity			Art nr Part No	Benämning	Description	Sats Kit	Anmärkning Notes	
	2829 -31	2847 -31							
X 10	1			1812-2547-01	Inmatningshus.....	Auger housing.....		29" (74 cm)	
X 10		1		1812-2551-01	Inmatningshus.....	Auger housing.....		33" (84 cm)	
20	2	2		1812-2413-01	Klämma .....	Spring clamp.....			
30	2	2		1812-2480-01	Skruv .....	Screw .....			
X 40	2	2		1812-2655-01	Mutter.....	Nut .....			
60	1	1		1812-2400-01	Borste.....	Cleanout brush.....			
70	2	2		1812-0347-01	Lager .....	Bearing.....			
80	4	4		1812-1833-01	Skruv .....	Screw .....			
90	4	4		1812-2487-01	Vagnsbult .....	Carriage bolt .....			
100	4	4		9743-3721-32	Mutter .....	Nut .....			
110	7	7		9795-3631-02	Mutter.....	Nut .....			
150	2	2		1812-2425-01	Släpsko.....	Height adjust skid .....			
160	1			1812-2436-01	Skrapskär .....	Scraper blade .....		29"	
160		1		1812-2446-01	Skrapskär .....	Scraper blade .....		33"	
170	1	1		1812-1690-01	Kullagerhållare.....	Ball bearing retainer .....			
180	1	1		1812-2373-01	Kullager .....	Ball bearing .....			
190	3	3		9899-3622-16	Skruv .....	Screw .....			
200	2	2		1812-1430-01	Plugg .....	Plug .....			
210	4	4		1812-2485-01	Vagnsbult .....	Carriage bolt .....			

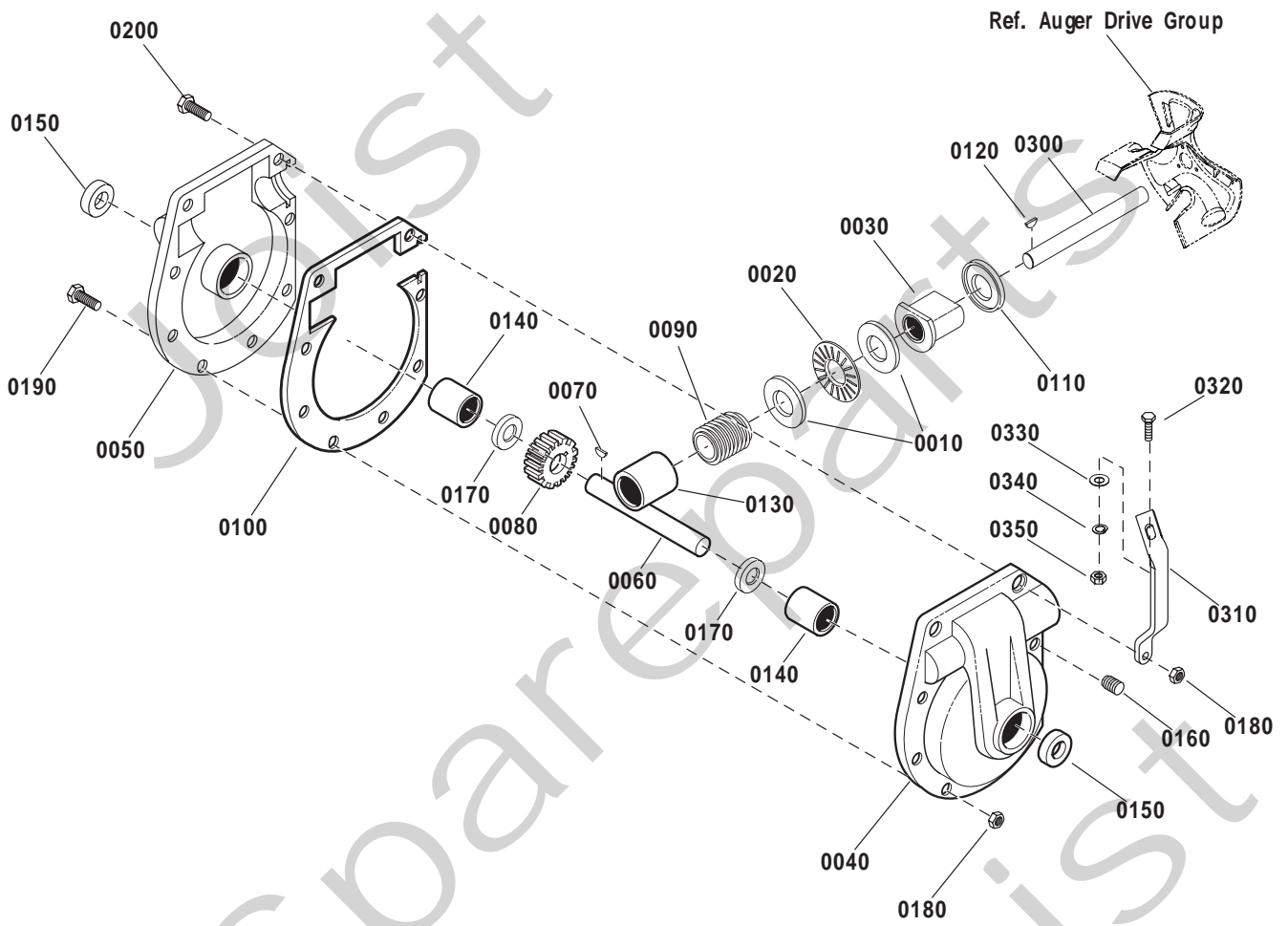


Utgåva Issue		Bildnr Picture No		SNOW FLAKE SNÖSKRUV		SNOW FLAKE AUGER		Sida Page	
2010-14		2780						74	
Pos. Fig.	Antal/Quantity				Art nr Part No	Benämning	Description	Sats Kit	Anmärkning Notes
	2829 -31								
X	10	1			1812-2638-01	Snäckväxel kpl.....	Gear case assy.....		
	80	1			1812-1609-01	Kil.....	Key.....		
X	90	1			1812-2554-01	Fläkt.....	Impeller.....		
X	100	1			1812-2553-01	Nav-fläkt.....	Hub-impeller.....		
	110	3			1812-1833-01	Skruv.....	Screw.....		
	130	1			1812-2262-01	Skruv.....	Screw.....		
X	140	2			1812-2640-01	Stoppskruv.....	Set screw.....		
X	150	1			1812-2517-01	Remskiva.....	Pulley.....		
	160	2			1812-9005-01	Brytbultsats.....	Shear bolt kit.....		
	170	2			1812-0812-01	• Låsmutter.....	• Locking nut.....		
	190	2			1812-0531-01	• Distans.....	• Spacer.....		
	220	1			1812-2463-01	Snöskruv-vä.....	Auger- LH.....		
X	220A	2			1812-2491-01	Smörjnippel.....	Grease fitting.....		
	230	1			1812-2464-01	Snöskruv-hö.....	Auger- RH.....		

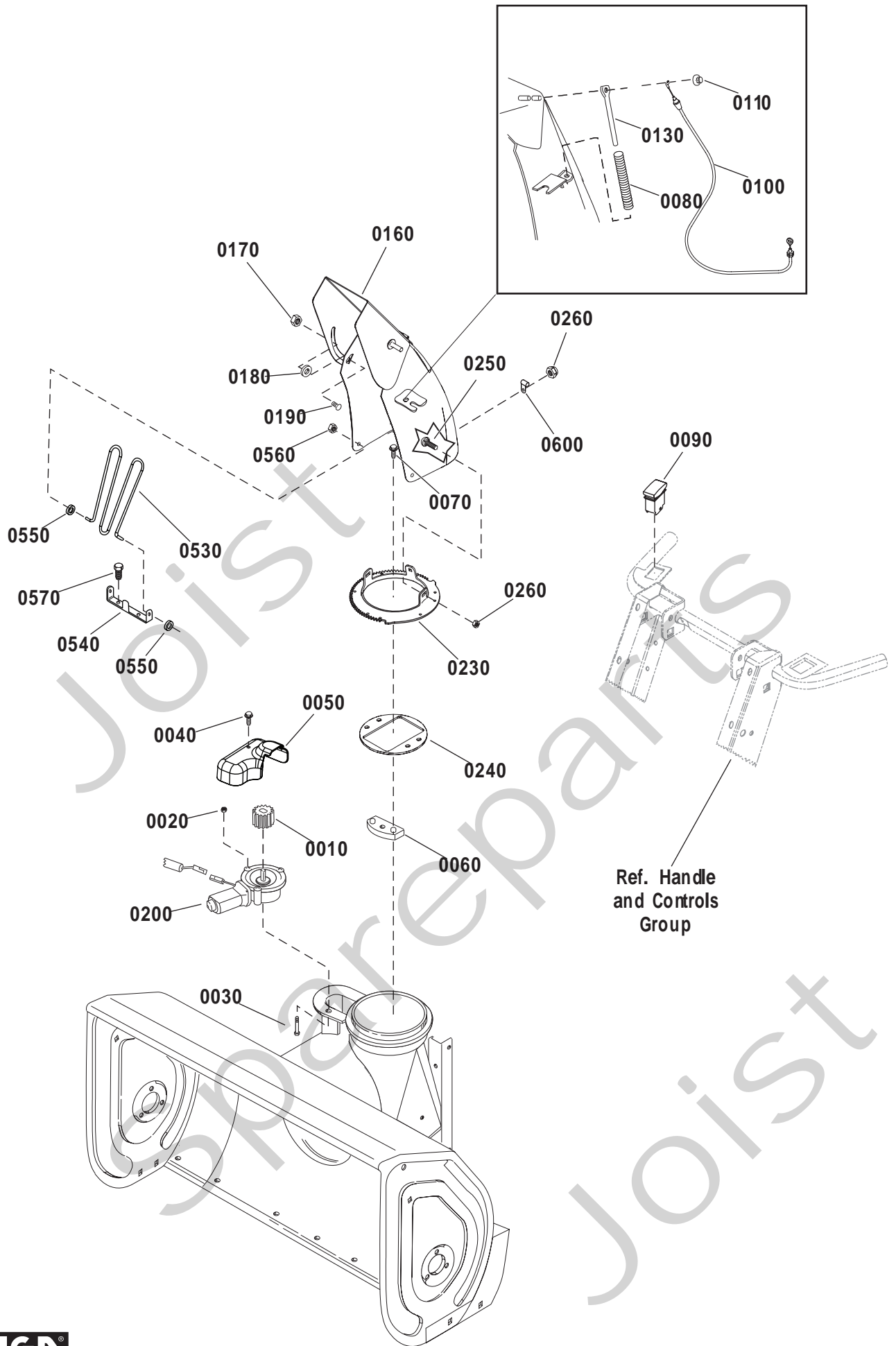




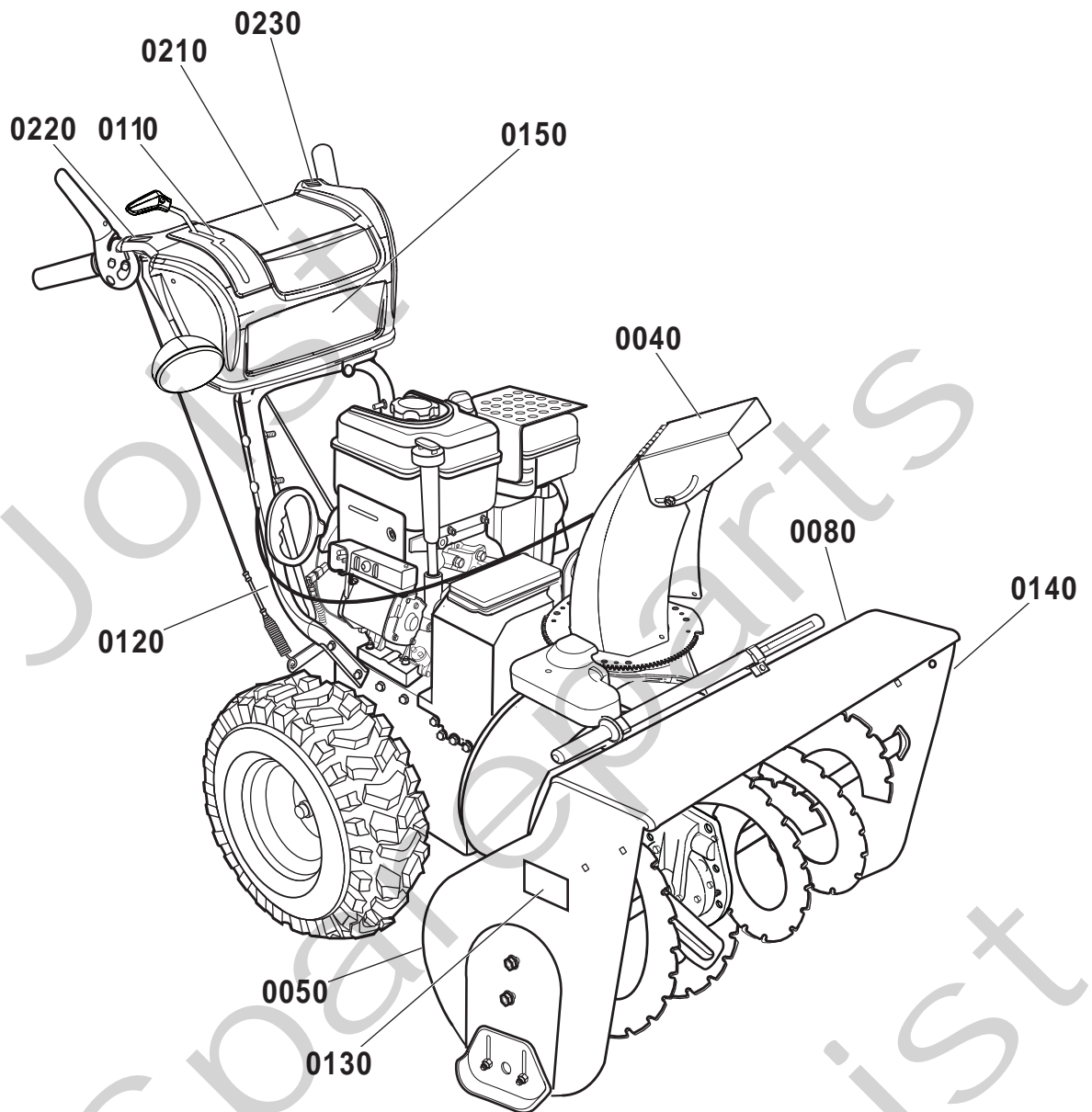
Utgåva Issue		Bildnr Picture No		SNOW POWER SNÖSKRUV		SNOW POWER AUGER		Sida Page	
2010-14		2781						76	
Pos. Fig.	Antal/Quantity				Art nr Part No	Benämning	Description	Sats Kit	Anmärkning Notes
	2847 -31								
X	10	1			1812-2639-01	Snäckväxel kpl.....	Gear case assy.....		
	80	1			1812-1609-01	Kil.....	Key.....		
X	90	1			1812-2554-01	Fläkt.....	Impeller.....		
X	100	1			1812-2553-01	Nav-fläkt.....	Hub-impeller.....		
	110	3			1812-1833-01	Skruv.....	Screw.....		
	130	1			1812-2262-01	Skruv.....	Screw.....		
X	140	2			1812-2640-01	Stoppskruv.....	Set screw.....		
X	150	1			1812-2517-01	Remskiva.....	Pulley.....		
	160	2			1812-9006-01	Brytbultsats.....	Shear bolt kit.....		
	170	2			1812-0811-01	Låsmutter.....	Locking nut.....		
	220	1			1812-2423-01	Snöskruv- vä.....	Auger- LH.....		
X	220A	2			1812-2491-01	Smörjnippel.....	Grease fitting.....		
	230	1			1812-2424-01	Snöskruv- hö.....	Auger- RH.....		
	240	1			9988-3632-12	Skruv.....	Screw.....		
	250	2			9699-0029-02	Planbricka.....	Flat washer.....		
	260	1			9683-0030-02	Låsbricka.....	Lock washer.....		
	270	1			1812-1759-01	Mutter.....	Nut.....		
	310	1			1812-2447-01	Stag.....	Gear box brace.....		



Utgåva Issue		Bildnr Picture No		SNOW FLAKE- SNOW POWER SNÄCKVÄXEL	SNOW FLAKE- SNOW POWER GEAR CASE	Sida Page		
2010- 14		2782				78		
Pos. Fig.	Antal/Quantity			Art nr Part No	Benämning	Description	Sats Kit	Anmärkning Notes
	2829 -31	2847 -31						
10	2	2		1812-0857-01	Bricka .....	Thrust washer .....		
20	1	1		1812-0285-01	Nållager .....	Needle bearing .....		
30	1	1		1812-1259-01	Flänslager .....	Flange bearing .....		
40	1	1		1812-0227-01	Snäckväxelhus- vä .....	Gear case- LH .....		
50	1	1		1812-0228-01	Snäckväxelhus- hö .....	Gear case- RH .....		
60	1			1812-1442-01	Snöskruvaxel .....	Auger shaft .....		
60		1		1812-2363-01	Snöskruvaxel .....	Auger shaft .....		
70	1	1		1812-0409-01	Woodruffkil .....	Woodruffkey .....		
80	1	1		1812-0335-01	Drev .....	Worm gear .....		
90	1	1		1812-0336-01	Snäckdrev .....	Gear .....		
100	1	1		1812-0226-01	Packning .....	Gasket .....		
110	1	1		1812-0341-01	Tätningring .....	Ring .....		
120	1	1		1812-0307-01	Kil .....	Key .....		
130	1	1		1812-0297-01	Lager .....	Bearing .....		
140	2	2		1812-0343-01	Lager .....	Bearing .....		
150	2	2		1812-0344-01	Tätningring .....	Ring .....		
160	1	1		1812-0346-01	Oljeplugg .....	Oil plug .....		
170	2	2		1812-0345-01	Bricka .....	Washer .....		
180	8	8		9743-5121-02	Mutter .....	Nut .....		
190	7	7		9987-5125-16	Skruv .....	Screw .....		
200	1	1		9987-5145-12	Skruv .....	Screw .....		
X 300	1			1812-2636-01	Fläktaxel .....	Impeller shaft .....		
X 300	1			1812-2637-01	Fläktaxel .....	Impeller shaft .....		
310	1			1812-2447-01	Stag .....	Gear box brace .....		
320	1			9988-3632-12	Skruv .....	Screw .....		
330	2			9699-0029-02	Planbricka .....	Flat washer .....		
340	1			9683-0030-02	Låsbricka .....	Lock washer .....		
350	1			1812-1759-01	Mutter .....	Nut .....		



Utgåva Issue		Bildnr Picture No		SNOW FLAKE- SNOW POWER UTKAST	SNOW FLAKE- SNOW POWER DISCHARGE CHUTE	Sida Page		
2010- 14		2783				80		
Pos. Fig.	Antal/Quantity			Art nr Part No	Benämning	Description	Sats Kit	Anmärkning Notes
	2829 -31	2847 -31						
	10	1	1	1812-2375-01	Drev.....	Pinion.....		
	20	3	3	1812-2482-01	Mutter.....	Nut.....		
	30	3	3	1812-2279-01	Skruv.....	Screw.....		
	40	1	1	1812-2474-01	Skruv.....	Screw.....		
	50	1	1	1812-2415-01	Lock.....	Cover.....		
	60	3	3	1812-2280-01	Hållare.....	Retainer.....		
	70	6	6	1812-2257-01	Skruv.....	Screw.....		
X	80	1	1	1812-2509-01	Tryckfjäder.....	Compr. spring.....		
X	90	1	1	1812-2533-01	Strömbrytare.....	Switch- chute rotate.....		
X	100	1	1	1812-2626-01	Wire- deflektor.....	Cable- deflector contr.....		
	110	1	1	1812-2255-01	Låsning.....	Push nut.....		
X	130	1	1	1812-2510-01	Stång.....	Spring guide rod.....		
X	160	1	1	1812-2535-01	Utkast.....	Chute.....		
	170	1	1	9743-3621-32	Mutter.....	Nut.....		
	180	1	1	1812-2278-01	Nylonbricka.....	Nylon washer.....		
	190	1	1	9899-3625-16	Skruv.....	Screw.....		
	200	1	1	1812-2374-01	Motor.....	Motor, spout rotator.....		
X	230	1	1	1812-2536-01	Ringdrev- utkast.....	Chute gear.....		
X	240	1	1	1812-2534-01	Adapter.....	Adapter- chute ring.....		
	250	7	7	1812-2486-01	Vagnsbult.....	Carriage bolt.....		
	260	7	7	9743-3521-32	Mutter.....	Nut.....		
	530	1	1	1812-2381-01	Utkastskydd.....	Chute guard.....		
	540	1	1	1812-2416-01	Fäste.....	Chute guard brkt.....		
	550	2	2	1812-2426-01	Hylsa.....	Grommet.....		
	560	2	2	1812-2478-01	Snabbmutter.....	Push nut.....		
	570	2	2	1812-2473-01	Skruv.....	Screw.....		
X	600	1	1	1812-2565-01	Kabelhållare.....	Cable clip.....		



Utgåva Issue 2010-14		Bildnr Picture No 2786		SNOW FLAKE- SNOW POWER DEKALER		SNOW FLAKE- SNOW POWER LABELS		Sida Page 82	
Pos. Fig.	Antal/Quantity				Art nr Part No	Benämning	Description	Sats Kit	Anmärkning Notes
	2829 -31	2847 -31							
X X	1 1	1 1			1812-2702-01 1812-2703-01	Dekalsats ..... Dekalsats .....	Label kit ..... Label kit .....		Inkl. pos 40-230 Inkl. pos 40-230