

# Genuine Spare Parts

---

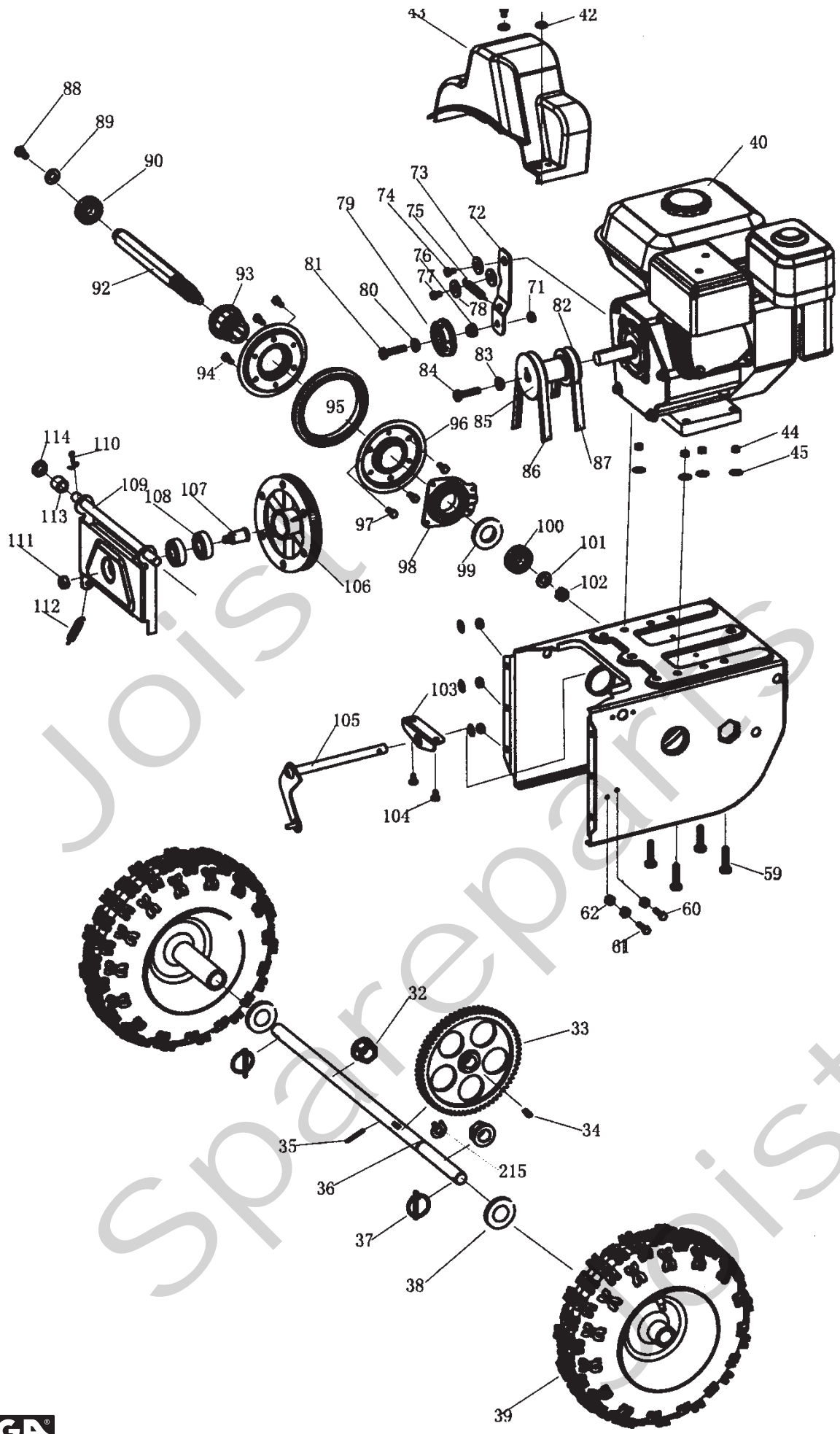


Joist  
Spareparts  
Joist

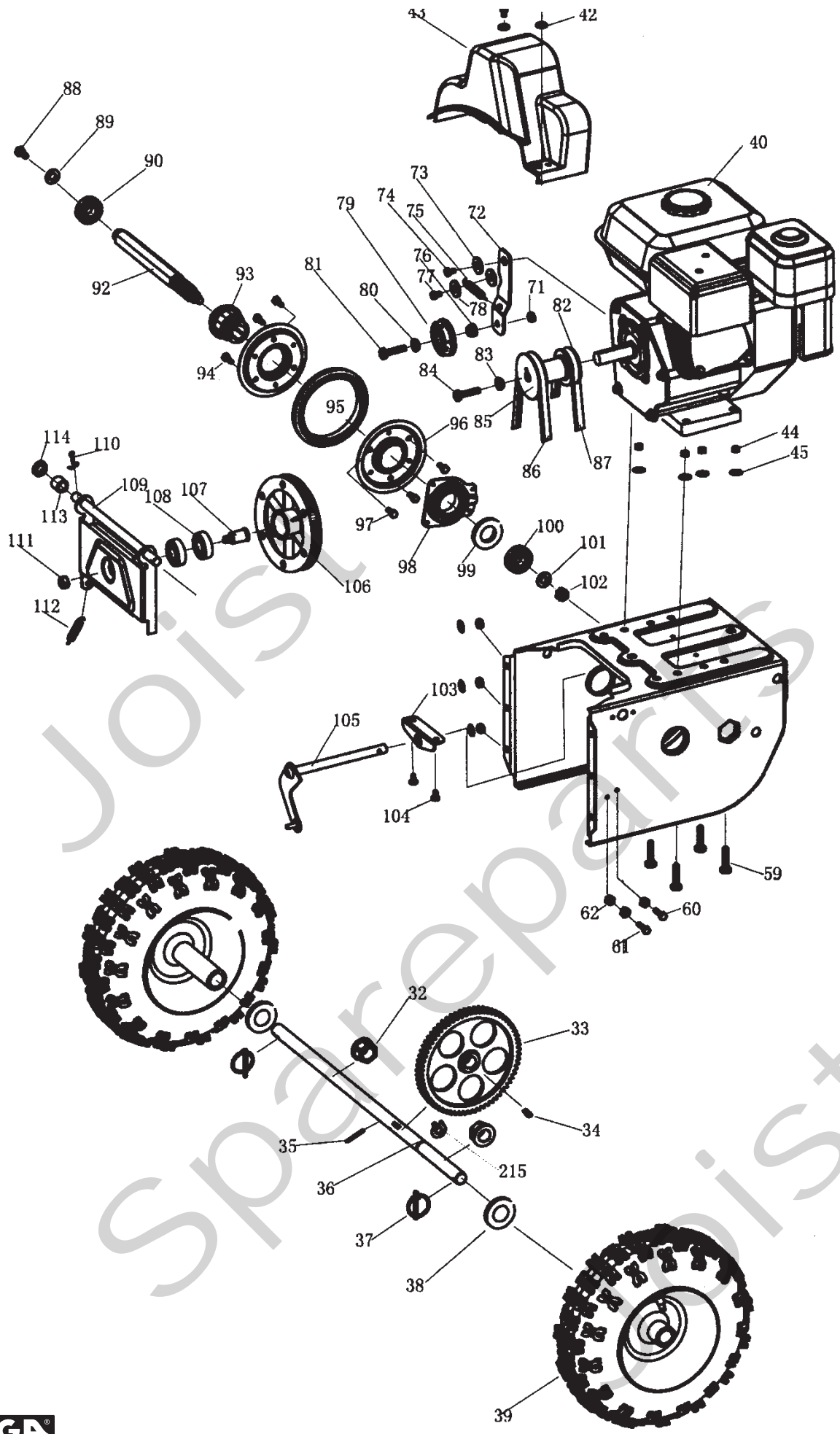


Joist  
Spareparts  
Joist

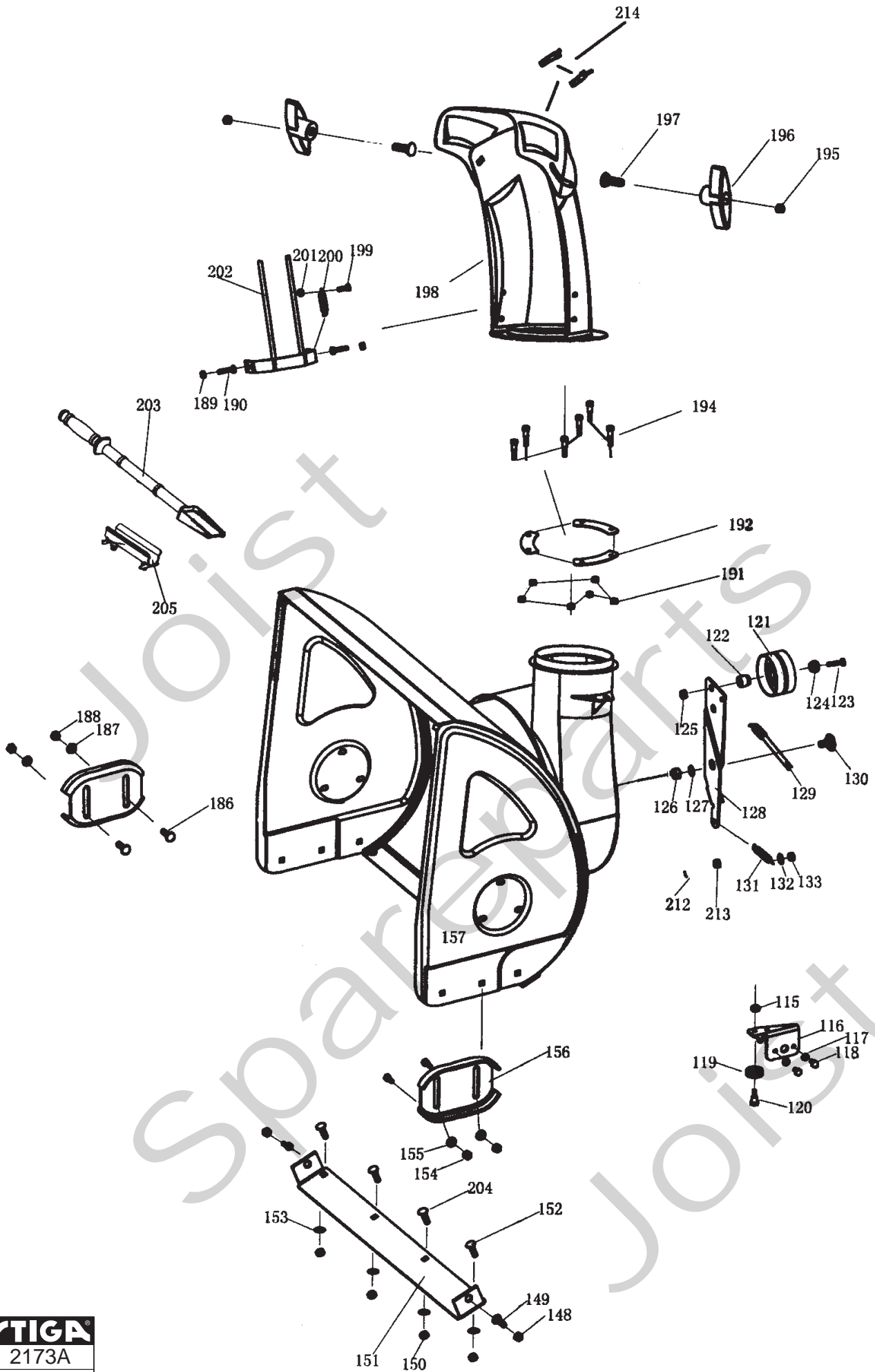
Utgåva Issue 2007-14		Bildnr Picture No 2171A		SNOW CUBE SNOW CRYSTAL ALPINA AN 622 STYRE		SNOW CUBE SNOW CRYSTAL ALPINA AN 622 HANDLE		Sida Page 32	
Pos. Fig.	Antal/Quantity				Art nr Part No	Benämning	Description	Sats Kit	Anmärkning Notes
	2813 -28 -38	2814 -28							
X	1	1	1		1811-2557-01	Styre.....	Handle.....		
	2	2	2		9747-0831-02	Mutter.....	Lock nut.....		
X	3	1	1		1811-2567-01	Inkoppl.handtag- vä.....	Clutch handle- LH.....		
	4	2	2		1811-2472-01	Gummiskydd.....	Rubber cap.....		
	5	2	2		9997-0845-12	Skruv.....	Screw.....		
X	6	1	1		1811-2570-01	Panel- gul.....	Dashboard- yellow.....		
	7	4	4		1811-2400-01	Skruv.....	Screw.....		
	8	2	2		1811-2458-01	Justerstång.....	Adjustment rod.....		
	9	2	2		9799-0531-02	Mutter.....	Nut.....		
	10	1	1		1811-2456-01	Reglagewire.....	Control cable.....		
X	11	1	1		1811-2566-01	Inkoppl.handtag- hö.....	Clutch handle- RH.....		
	13	1	1		9747-0831-02	Mutter.....	Lock nut.....		
	14	1	1		1811-2459-01	Reglagewire.....	Control cable.....		
X	14		1		1811-2554-01	Reglagewire.....	Control cable.....		
	15	1	1		9787-0831-32	Mutter.....	Nut.....		
	16	1	1		1811-2468-01	Ögla.....	Eye bolt.....		
X	17	1	1		1811-2469-01	Gummihylsa.....	Rubber sleeve.....		
X	18	1	1		1811-2563-01	Växelspak.....	Gear lever.....		
	19	2	2		9739-0631-22	Mutter.....	Nut.....		
	20	2	2		9997-0620-16	Skruv.....	Screw.....		
	21	1	1		9739-0631-22	Mutter.....	Nut.....		
	22	1	1		9997-0620-16	Skruv.....	Screw.....		
	23	1	1		1811-2482-01	Växelarm.....	Gear rod.....		
	24	1	1		9997-0625-16	Skruv.....	Screw.....		
	25	4	4		9747-0631-02	Låsmutter.....	Lock nut.....		
	26	4	4		9997-0635-12	Skruv.....	Screw.....		
X	27	1	1		1811-2565-01	Växellägesplåt.....	Gear select plate.....		
	28	2	2		9997-0840-16	Skruv.....	Screw.....		
	29	2	2		1811-2453-01	Styresbricka.....	Handle washer.....		
	30	2	2		9699-0062-02	Planbricka.....	Flat washer.....		
	31	2	2		9997-0820-16	Skruv.....	Screw.....		
	46	2	2		1811-2476-01	Ansatsbult.....	Shoulder bolt.....		
	47	2	2		1811-2440-01	Wirerulle.....	Wire pulley.....		
	48	1	1		1811-2439-01	Fäste- gul.....	Bracket- yellow.....		
	49	2	2		9699-0025-02	Planbricka.....	Washer.....		
	50	2	2		9997-0612-16	Skruv.....	Screw.....		
	51	2	2		9739-0631-22	Mutter.....	Nut.....		
	52	1	1		1811-2437-01	Fäste- gul.....	Bracket- yellow.....		
	53	2	2		1811-2440-01	Wirerulle.....	Wire pulley.....		
	54	2	2		9997-0612-16	Skruv.....	Screw.....		
	55	2	2		9699-0025-02	Planbricka.....	Washer.....		
	56	6	6		9747-0831-02	Mutter.....	Lock nut.....		
	57	6	6		9699-0028-02	Planbricka.....	Flat washer.....		
	58	1	1		1811-2487-01	Chassi- gul.....	Chassis- yellow.....		
	63	1	1		9997-0610-16	Skruv.....	Screw.....		
	64	1	1		9699-0025-02	Planbricka.....	Washer.....		
	65	1	1		1811-2442-01	Handtag.....	Grip.....		
	66	2	2		9997-0610-16	Skruv.....	Screw.....		
	67	2	2		9699-0025-02	Planbricka.....	Washer.....		
	68	1	1		1811-2486-01	Bottenplåt- gul.....	Bottom plate- yell.....		
	69	4	4		9699-0025-02	Planbricka.....	Washer.....		
	70	4	4		9997-0610-16	Skruv.....	Screw.....		
	141	1	1		1811-2467-01	Inställningsvev.....	Crank.....		
	142	1	1		1811-2431-01	Bussning.....	Bushing.....		
	143	1	1		9599-0054-02	Saxpinne.....	Cotter pin.....		
	144	2	2		9898-0820-16	Skruv.....	Screw.....		
	145	1	1		1811-2430-01	Fäste- gul.....	Bracket- yellow.....		
	146	2	2		9747-0831-02	Mutter.....	Lock nut.....		
	147	2	2		9699-0056-02	Planbricka.....	Flat washer.....		
	193	4	4		9699-0072-02	Bricka.....	Washer.....		
	216	1	1		9699-0029-02	Planbricka.....	Flat washer.....		
X	999	1	1		8218-2234-80	Bruksanvisning.....	Owner's manual.....		Ej ill/not ill.



Utgåva Issue 2007-14		Bildnr Picture No 2172A		SNOW CUBE SNOW CRYSTAL ALPINA AN 622 TRANSMISSION		SNOW CUBE SNOW CRYSTAL ALPINA AN 622 TRANSMISSION		Sida Page 34	
Pos. Fig.	Antal/Quantity				Art nr Part No	Benämning	Description	Sats Kit	Anmärkning Notes
	2813 -28 -38	2814 -28							
	32	2	2		1811-2452-01	Hjulaxelbussning .....	Wheel shaft bushing .....		
	33	1	1		1811-2421-01	Drev .....	Gear .....		
	34	2	2		1811-2406-01	Kil .....	Key .....		
	35	1	1		9595-0212-00	Spännstift .....	Locating pin .....		
	36	1			1811-2441-01	Hjulaxel.....	Wheel shaft .....		
X	36		1		1811-2550-01	Hjulaxel.....	Wheel shaft .....		
	37	2	2		1811-2478-01	Fjäderpinne .....	Spring pin .....		
	38	2	2		1811-2407-01	Planbricka.....	Flat washer.....		
	39	2			1811-2408-01	Hjul kpl .....	Wheel assy.....		
X	39		2		1811-2541-01	Hjul kpl .....	Wheel assy.....		13" (4.10 - 6) 15"
	40	1	1		1811-2496-01	Motor kpl.....	Engine assy.....		
	41	2	2		9997-0610-16	Skruv .....	Screw .....		
	42	2	2		9699-0025-02	Planbricka.....	Washer.....		
	43	1	1		1811-2455-01	Remskydd .....	Belt cover .....		
	44	4	4		9747-0831-02	Mutter .....	Lock nut .....		
	45	4	4		9699-0028-02	Planbricka.....	Flat washer.....		
	59	4	4		9997-0835-12	Skruv .....	Screw .....		
	60	1	1		9997-0630-12	Skruv .....	Screw .....		
	61	1	1		9997-0620-16	Skruv .....	Screw .....		
	62	3	3		9739-0631-22	Mutter .....	Nut .....		
	71	1	1		9747-0631-02	Låsmutter .....	Lock nut .....		
	72	1	1		1811-2470-01	Spännarm.....	Tension arm .....		
X	73	1	1		1811-2559-01	Spännarmsbricka.....	Tension washer .....		
	74	1	1		9997-0820-16	Skruv .....	Screw .....		
X	75	1	1		1811-2555-01	Fjäder.....	Spring .....		
X	76	1	1		1811-2575-01	Bricka .....	Washer.....		
	77	1	1		9997-0812-16	Skruv .....	Screw .....		
	78	2	2		9699-0028-02	Planbricka.....	Flat washer.....		
X	79	1	1		1811-2574-01	Spännrulle kpl.....	Tension pulley .....		
	80	1	1		1811-2427-01	Bricka .....	Washer.....		
	81	1	1		9997-0830-16	Skruv .....	Screw .....		
	82	1	1		1811-2473-01	Remskiva.....	Belt pulley .....		
X	83	1	1		1811-2542-01	Planbricka.....	Plain cushion .....		
	84	1	1		9997-0825-16	Skruv .....	Screw .....		
	85	1			1811-2474-01	Remskiva.....	Belt pulley .....		
X	85		1		1811-2560-01	Remskiva.....	Main belt pulley.....		
	86	1			1811-2409-01	Drivrem .....	Belt.....		
X	86		1		1811-2543-01	Drivrem .....	Belt.....		
	87	1	1		1811-2410-01	Drivrem .....	Belt.....		
	88	1	1		9997-0816-16	Skruv .....	Screw .....		
	89	3	3		9699-0122-02	Bricka .....	Washer.....		
	90	1	1		1811-2411-01	Lager .....	Bearing.....		
	92	1	1		1811-2423-01	Sexkantsaxel.....	Hex shaft.....		
	93	1	1		1811-2435-01	Nav .....	Hub .....		
	94	3	3		9997-0612-16	Skruv .....	Screw .....		
	95	1	1		1811-2436-01	Friktingsring .....	Friction ring.....		
	96	2	2		1811-2433-01	Friktionshjul.....	Friction wheel.....		
	97	3	3		9997-0612-16	Skruv .....	Screw .....		
	98	1	1		1811-2434-01	Växelförare .....	Gear selector hub.....		
	99	1	1		1811-2412-01	Låsring .....	Lock ring.....		
	100	1	1		1811-2413-01	Lager .....	Bearing.....		
	101	1	1		9699-0035-02	Planbricka.....	Flat washer.....		
	102	1	1		9747-1031-02	Låsmutter .....	Lock nut .....		
	103	1	1		1811-2420-01	Fäste .....	Bracket .....		
	104	2	2		9997-0610-16	Skruv .....	Screw .....		
	105	1	1		1811-2465-01	Växelförararm.....	Gear lever.....		
	106	1	1		1811-2428-01	Drivskiva.....	Drive pulley.....		
	107	1	1		1811-2429-01	Axeltapp.....	Shaft .....		
	108	2	2		1811-2414-01	Lager .....	Bearing.....		
	109	1	1		1811-2424-01	Fäste- drivskiva.....	Bracket- drive pulley.....		
	110	1	1		9599-0054-02	Saxpinne.....	Cotter pin .....		
	111	1	1		9747-1031-02	Låsmutter .....	Lock nut .....		
	112	1	1		1811-2483-01	Fjäder.....	Spring .....		



Utgåva Issue 2007-14		Bildnr Picture No 2172A		SNOW CUBE SNOW CRYSTAL ALPINA AN 622 TRANSMISSION		SNOW CUBE SNOW CRYSTAL ALPINA AN 622 TRANSMISSION		Sida Page 36	
Pos. Fig.	Antal/Quantity				Art nr Part No	Benämning	Description	Sats Kit	Anmärkning Notes
	2813 -28 -38	2814 -28							
113	1	1			1811-2489-01	Hylsa .....	Collar .....		
114	1	1			9699-0037-02	Bricka .....	Washer .....		
215		1			9650-0019-04	Låsring .....	Retainer ring .....		





Utgåva Issue 2007-14		Bildnr Picture No 2173A		SNOW CUBE SNOW CRYSTAL ALPINA AN 622 INMATNINGSHUS		SNOW CUBE SNOW CRYSTAL ALPINA AN 622 AUGER HOUSING		Sida Page 38	
Pos. Fig.	Antal/Quantity				Art nr Part No	Benämning	Description	Sats Kit	Anmärkning Notes
	2813 -28 -38	2814 -28							
115	1	1			9747-0631-02	Låsmutter .....	Lock nut .....		
116	1	1			1811-2438-01	Fäste- gul .....	Bracket- yellow .....		
117	2	2			9699-0025-02	Planbricka .....	Washer .....		
118	2	2			9997-0610-16	Skruv .....	Screw .....		
119	1	1			1811-2440-01	Wirerulle .....	Wire pulley .....		
120	1	1			1811-2476-01	Ansatsbult .....	Shoulder bolt .....		
121	1	1			1811-2425-01	Spännrulle m.lager .....	Tension roller w.bear .....		
122	1	1			1811-2426-01	Distans .....	Spacer .....		
123	1	1			9997-0845-12	Skruv .....	Screw .....		
124	1	1			1811-2427-01	Bricka .....	Washer .....		
125	1	1			9747-0831-02	Mutter .....	Lock nut .....		
126	1	1			9747-1031-02	Låsmutter .....	Lock nut .....		
127	1	1			9699-0035-02	Planbricka .....	Flat washer .....		
128	1	1			1811-2448-01	Spännarm .....	Tension arm .....		
129	1	1			1811-2457-01	Fjäder .....	Spring .....		
130	1	1			1811-2475-01	Skruv .....	Screw .....		
131	1	1			1811-2462-01	Fjäder .....	Spring .....		
132	1	1			9699-0028-02	Planbricka .....	Flat washer .....		
133	1	1			9747-0831-02	Mutter .....	Lock nut .....		
148	2	2			9747-0831-02	Mutter .....	Lock nut .....		
149	2	2			9898-0820-16	Skruv .....	Screw .....		
150	4	4			9747-0831-02	Mutter .....	Lock nut .....		
X 151	1				1811-2548-01	Skrapskär .....	Shave plate .....		
X 151		1			1811-2549-01	Skrapskär .....	Shave plate .....		
152	2	2			9898-0820-16	Skruv .....	Screw .....		
153	4	4			9699-0056-02	Planbricka .....	Flat washer .....		
154	2	2			9747-0831-02	Mutter .....	Lock nut .....		
155	2	2			9699-0056-02	Planbricka .....	Flat washer .....		
X 156	2	2			1811-2568-01	Släpisko .....	Skid shoe .....		
157	1				1811-2488-01	Snöskruvhus- gul .....	Auger housing- yellow .....		
X 157		1			1811-2564-01	Snöskruvhus- gul .....	Auger housing- yellow .....		
186	4	4			9898-0820-16	Skruv .....	Screw .....		
187	2	2			9699-0056-02	Planbricka .....	Flat washer .....		
188	2	2			9747-0831-02	Mutter .....	Lock nut .....		
189	2	2			9747-0631-02	Låsmutter .....	Lock nut .....		
190	2	2			9997-0616-16	Skruv .....	Screw .....		
191	6	6			9747-0631-02	Låsmutter .....	Lock nut .....		
192	3	3			1811-2445-01	Flänsbricka .....	Chute washer .....		
X 194	6	6			1811-2551-01	Skruv .....	Screw .....		
195	2	2			9747-0831-02	Mutter .....	Lock nut .....		
196	2	2			1811-2498-01	Låsratt .....	Locking knob .....		
197	2	2			9898-0825-16	Skruv .....	Screw .....		
X 198	1	1			1811-2571-01	Utkaströr .....	Chute .....		
199	1	1			9997-0620-16	Skruv .....	Screw .....		
200	1	1			1811-2461-01	Fjäder .....	Spring .....		
201	1	1			9747-0631-02	Låsmutter .....	Lock nut .....		
202	1	1			1811-2432-01	Utkastskydd .....	Chute guard .....		
203	1	1			1811-2500-01	Rensdon .....	Cleaner stick .....		
204	2	2			9898-0820-16	Skruv .....	Screw .....		
X 205	1	1			1811-2572-01	Fäste- rensdon .....	Cleaner stick bracket .....		
X 212		1			1811-2553-01	Brytbult .....	Shear bolt .....		
X 213		1			1811-2546-01	Låsmutter .....	Lock nut .....		
X 214	2	2			1811-2547-01	Gummiblock .....	Rubber block .....		



Utgåva Issue 2007-14		Bildnr Picture No 2174A		SNOW CUBE SNOW CRYSTAL ALPINA AN 622 SNÖSKRUV		SNOW CUBE SNOW CRYSTAL ALPINA AN 622 AUGER		Sida Page 40	
Pos. Fig.	Antal/Quantity			Art nr Part No	Benämning	Description	Sats Kit	Anmärkning Notes	
	2813 -28 -38	2814 -28							
	12	1	1	9997-0510-16	Skruv.....	Screw.....			
	134	1	1	9997-0820-16	Skruv.....	Screw.....			
	135	1	1	9699-0056-02	Planbricka.....	Flat washer.....			
	136	1		1811-2464-01	Remskiva.....	Belt pulley.....			
X	136		1	1811-2556-01	Remskiva.....	Belt pulley.....			
	137	3	3	9747-0831-02	Mutter.....	Lock nut.....			
	138	1	1	1811-2422-01	Lagerskål.....	Bearing cover.....			
	139	1	1	9600-0170-00	Plattkil.....	Flat key.....			
	140	1	1	1811-2415-01	Lager.....	Bearing.....			
	158	1		1811-2447-01	Snöskruvaxel.....	Auger shaft.....			
X	158		1	1811-2552-01	Snöskruvaxel.....	Auger shaft.....			
	159	1	1	1811-2416-01	Kil.....	Key.....			
	160	2	2	9747-0831-02	Mutter.....	Lock nut.....			
	161	1	1	1811-9012-01	Brytbultsats.....	Shear bolt kit.....		Inkl. pos 160	
	162	1		1811-2480-01	Snöskruv- vä.....	Auger- LH.....			
X	162		1	1811-2561-01	Snöskruv- vä.....	Auger- LH.....			
	163	1	1	1811-2443-01	Axelbussning.....	Shaft bushing.....			
	164	2	2	1811-2418-01	Planbricka.....	Flat washer.....			
	165	2	2	1811-2444-01	Axelbussning.....	Shaft bushing.....			
	166	2	2	1811-2449-01	Lagerfäste.....	Bearing cover.....			
	167	6	6	9699-0028-02	Planbricka.....	Flat washer.....			
	168	6	6	9997-0812-16	Skruv.....	Screw.....			
	169	1		1811-2479-01	Snöskruv- hö.....	Auger- RH.....			
X	169		1	1811-2562-01	Snöskruv- hö.....	Auger- RH.....			
	170	6	6	9997-0620-16	Skruv.....	Screw.....			
	171	7	7	9683-0025-02	Låsbricka.....	Lock washer.....			
	172	7	7	9699-0025-02	Planbricka.....	Washer.....			
	173	1	1	1811-2463-01	Snäckdrev.....	Worm wheel.....			
	174	1	1	1811-2484-01	Snäckväxelhus- vä.....	Gear housing- LH.....			
	175	1	1	1811-2490-01	Bussning.....	Bushing.....			
	176	4	4	1811-2443-01	Axelbussning.....	Shaft bushing.....			
	177	1	1	1811-2485-01	Snäckväxelhus- hö.....	Gear housing- RH.....			
	178	1	1	1811-2402-01	Lager.....	Bearing.....			
	179	1	1	1811-2454-01	Fläktaxel.....	Fan shaft.....			
	180	1	1	1811-2403-01	Lager.....	Bearing.....			
	181	1	1	1811-2404-01	Trycklager.....	Thrust bearing.....			
	182	1	1	1811-2405-01	Tätningring.....	Seal ring.....			
	183	2	2	9595-0258-00	Spännstift.....	Locating pin.....			
	184	1	1	1811-2477-01	Bricka.....	Washer.....			
	185	1	1	1811-2419-01	Fläkt.....	Fan.....			
X	206	1	1	1811-2569-01	Packning.....	Gasket.....			
	207	1	1	9997-0625-16	Skruv.....	Screw.....			
X	210	1	1	1811-2544-01	Smörjnippel.....	Grease filling joint.....			
X	211	1	1	1811-2545-01	Packning.....	Wave gasket.....			