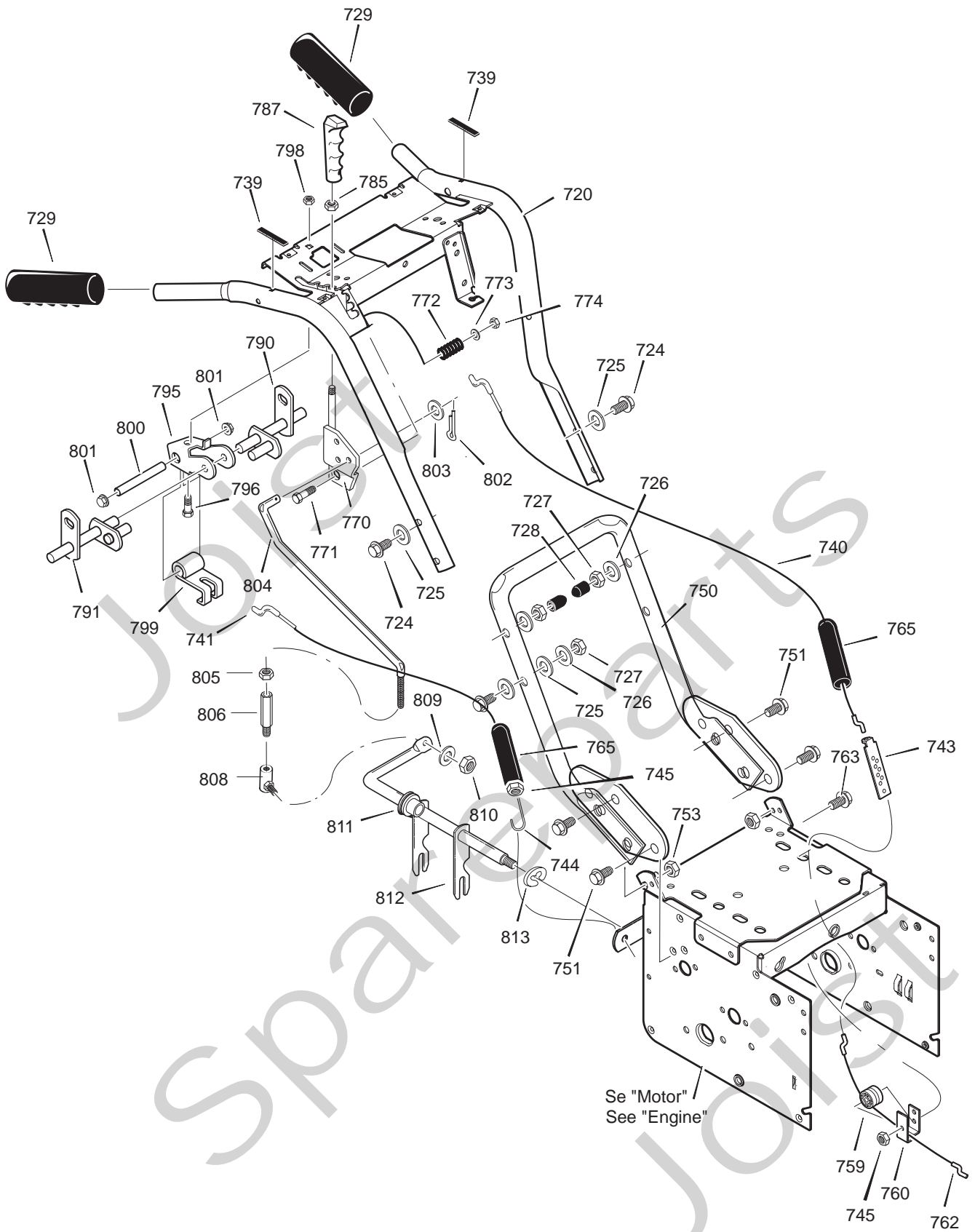


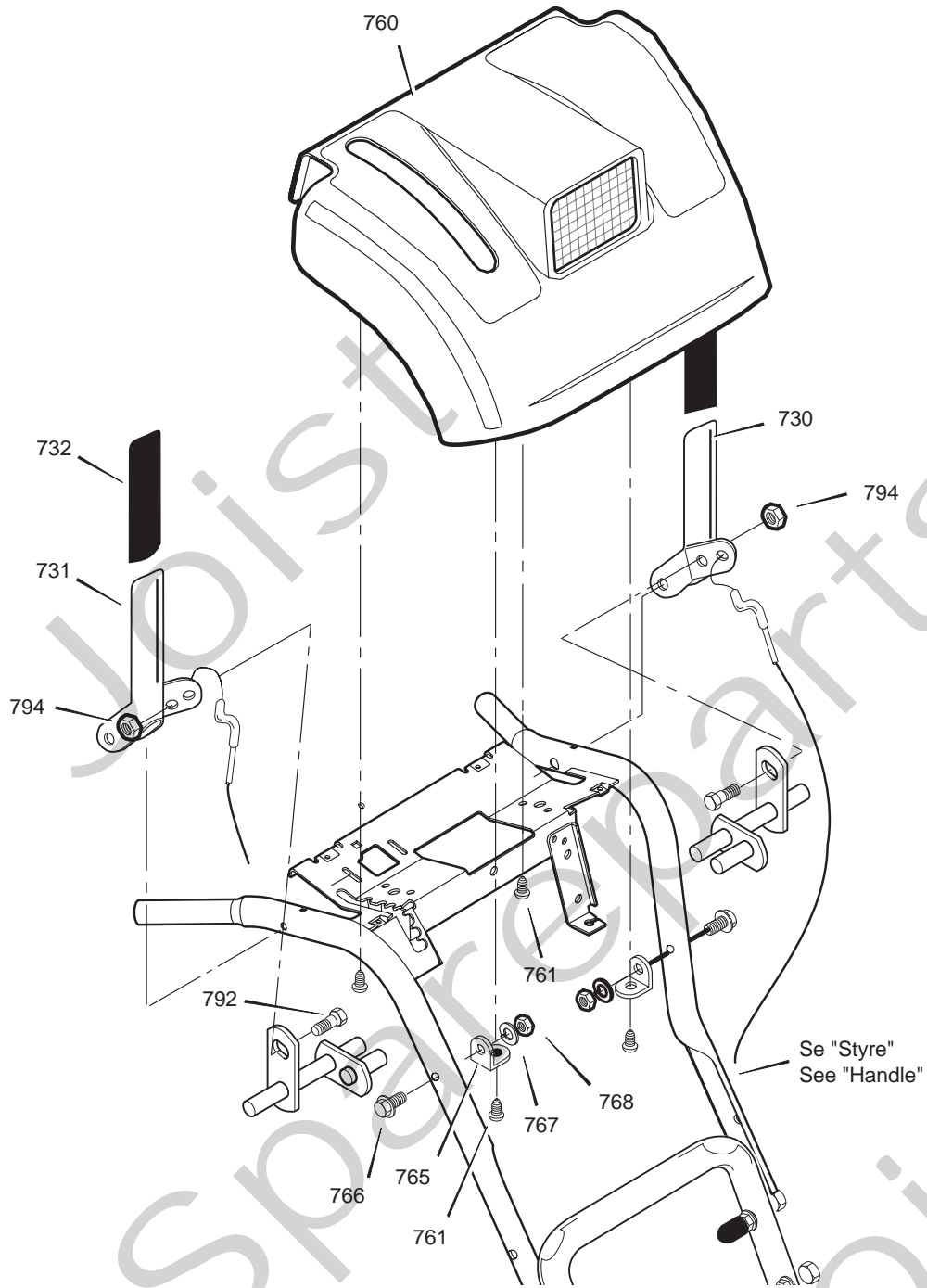
# Genuine Spare Parts

---



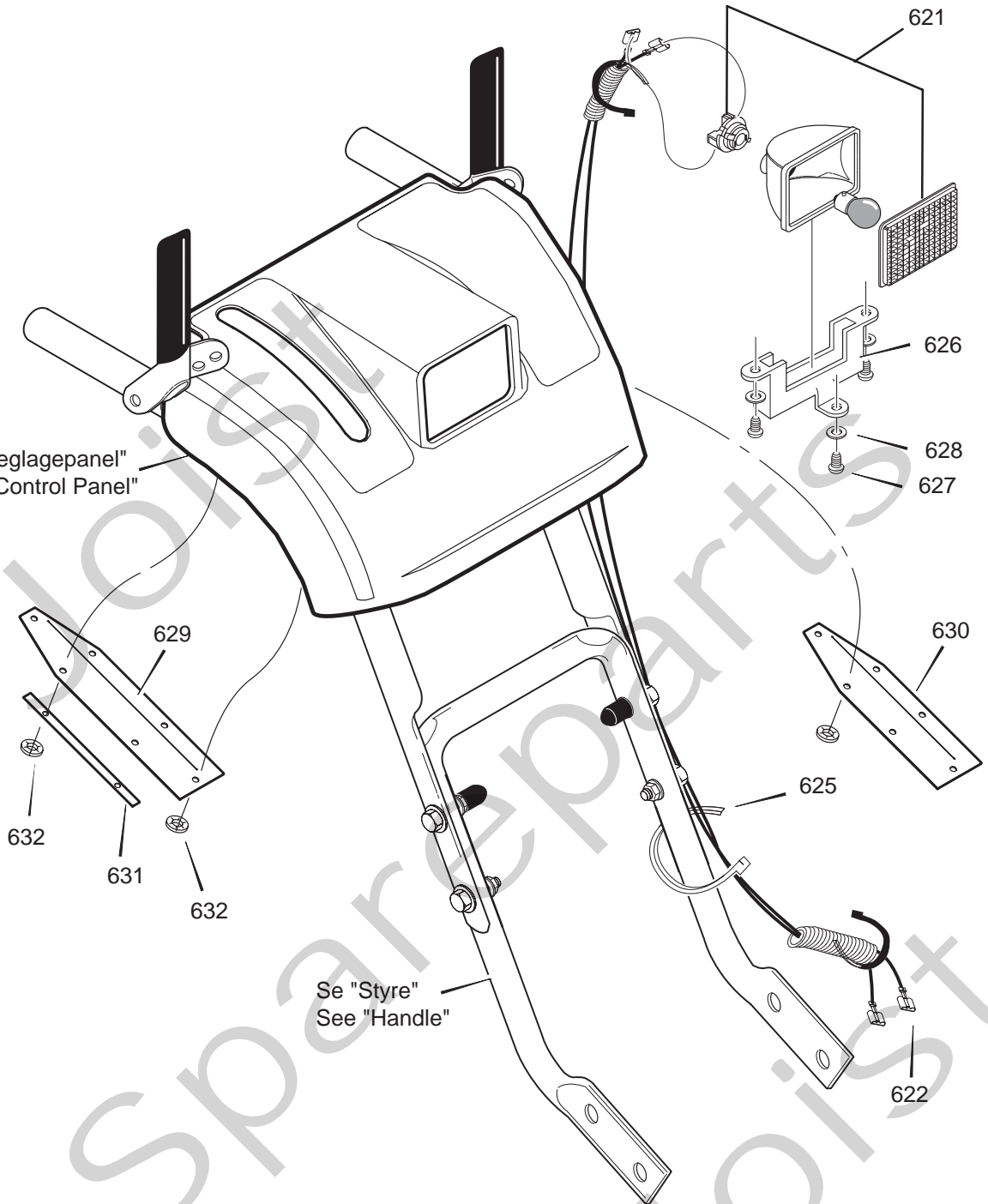


Utgåva Issue 2007-14		Bildnr Picture No 1525B		SNOW FLAKE SNOW POWER SNOW SUPER STYRE		SNOW FLAKE SNOW POWER SNOW SUPER HANDLE		Sida Page 68	
Pos. Fig.	Antal/Quantity			Art nr Part No	Benämning	Description	Sats Kit	Anmärkning Notes	
	2829 -28	2847 -28	2863 -28						
720	1	1	1	1812-1857-01	Styre.....	Handle.....			
724	4	4	4	9988-3764-12	Skruv.....	Screw.....			
725	6	6	6	9699-0035-02	Planbricka.....	Flat washer.....			
726	4	4	4	9683-0035-02	Låsbricka.....	Lock washer.....			
727	4	4	4	9795-3731-02	Mutter.....	Nut.....			
728	2	2	2	1812-0830-01	Plastknopp.....	Plastic stop.....			
729	2	2	2	1812-1775-01	Handtag.....	Handle grip.....			
739	2	2	2	1812-0520-01	Skydd.....	Protection.....			
740	1	1	1	1812-1861-01	Kopplingswire.....	Clutch cable.....			
741	1	1	1	1812-1819-01	Regl.wire- snöskruv.....	Auger cable.....			
743	1	1	1	1133-0977-01	Wirefäste.....	Cable adjust bracket.....			
744	1	1	1	1812-0254-01	Fjäder.....	Spring.....			
745	2	2	2	1812-1760-01	Mutter.....	Nut.....			
750	1	1	1	1812-1818-01	Styre- underdel.....	Handle- lower.....			
751	4	4	4	1812-1833-01	Skruv.....	Screw.....			
753	2	2	2	1812-1759-01	Mutter.....	Nut.....			
759	1	1	1	1812-1205-01	Spole.....	Spool.....			
760	1	1	1	1812-1702-01	Fäste.....	Bracket.....			
762	1	1	1	1812-1727-01	Reglagewire- nedre.....	Drive cable- lower.....			
763	1	1	1	1812-1772-01	Skruv.....	Screw.....			
765	2	2	2	1133-0968-01	Wirehylsa.....	Clutch spring boot.....			
770	1	1	1	1812-1865-01	Växelspak.....	Shift lever.....			
771	1	1	1	9988-3745-12	Skruv.....	Screw.....			
772	1	1	1	1812-0304-01	Fjäder.....	Spring.....			
773	1	1	1	9699-0035-02	Planbricka.....	Flat washer.....			
774	1	1	1	9743-3721-32	Mutter.....	Nut.....			
785	1	1	1	9743-3721-32	Mutter.....	Nut.....			
787	1	1	1	1133-0650-01	Handtag.....	Handle.....			
790	1	1	1	1812-1414-01	Spärrstång- vä.....	Bail rod- LH.....			
791	1	1	1	1812-1413-01	Spärrstång- hö.....	Bail rod- RH.....			
795	1	1	1	1812-1593-01	Fäste.....	Cam retainer bracket.....			
796	1	1	1	1812-1765-01	Skruv.....	Screw.....			
798	1	1	1	9743-3621-32	Mutter.....	Nut.....			
799	1	1	1	1812-0834-01	Låsfjäder.....	Cam lock spring.....			
800	1	1	1	1812-1280-01	Sprint.....	Pin latch.....			
801	2	2	2	1812-1483-01	Låsning.....	Retainer.....			
802	1	1	1	9599-0036-02	Saxsprint.....	Split pin.....			
803	1	1	1	9699-0029-02	Planbricka.....	Flat washer.....			
804	1	1	1	1812-1871-01	Reglagestång.....	Control rod.....			
805	1	1	1	9794-5131-02	Mutter.....	Nut.....			
806	1	1	1	1812-0622-01	Skruvhylsa.....	Adaptor.....			
808	1	1	1	1812-0627-01	Kulled.....	Ball joint.....			
809	1	1	1	9683-0030-02	Låsbricka.....	Lock washer.....			
810	1	1	1	9794-5131-02	Mutter.....	Nut.....			
811	1	1	1	1812-1219-01	Plastbussning.....	Plastic bushing.....			
812	1	1	1	1812-1720-01	Växelarm.....	Yoke rod.....			
813	1	1	1	1812-1672-01	Låsring.....	Retainer ring.....			
X 998	1	1		8218-2232-80	Bruksanvisning.....	Owner's manual.....		Ej ill/not ill.	
X 998			1	8218-2241-80	Bruksanvisning.....	Owner's manual.....		Ej ill/not ill.	

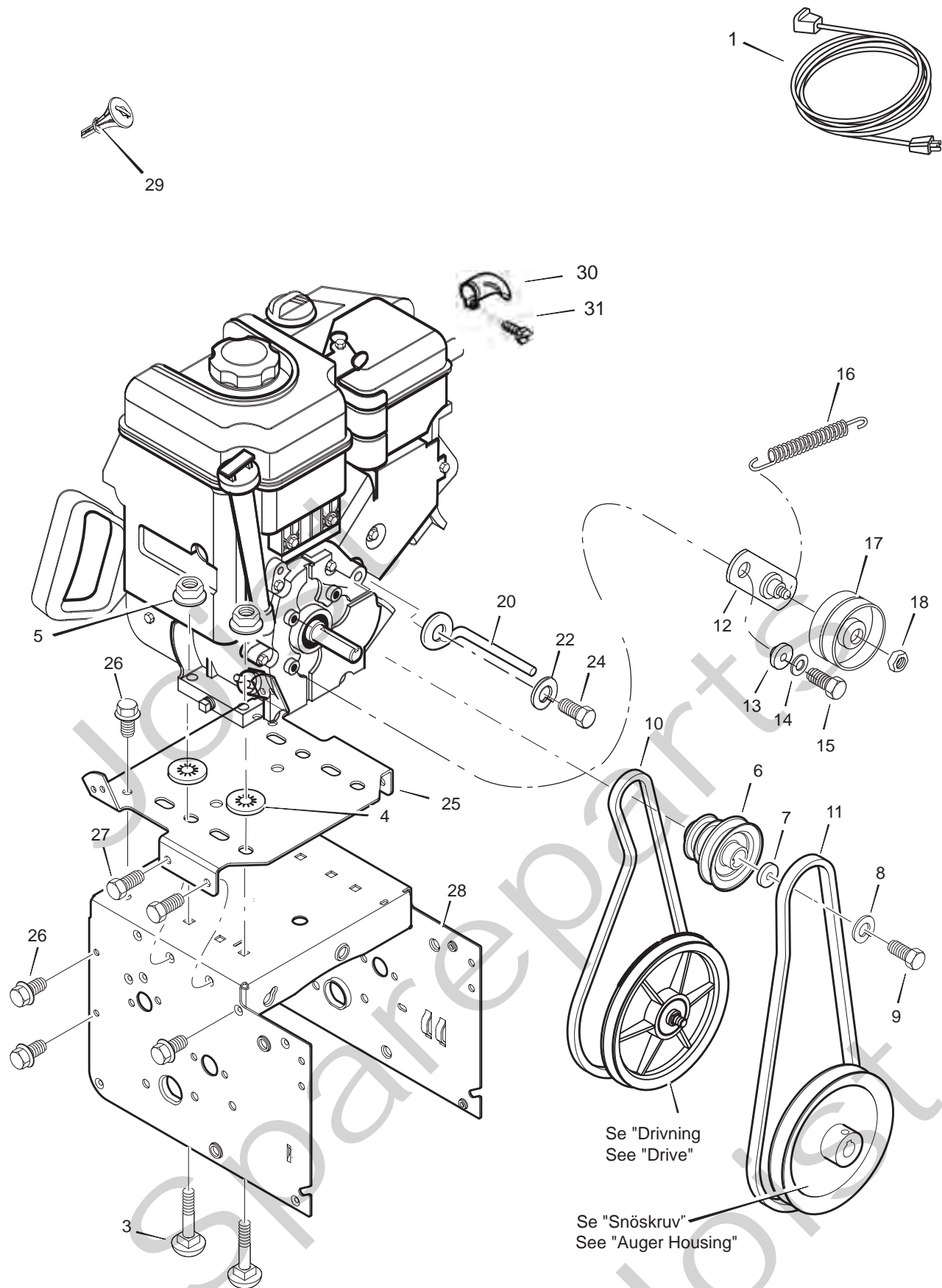


Utgåva Issue 2007-14		Bildnr Picture No 1526C		SNOW FLAKE SNOW POWER SNOW SUPER REGLAGEPANEL		SNOW FLAKE SNOW POWER SNOW SUPER CONTROL PANEL		Sida Page 70	
Pos. Fig.	Antal/Quantity			Art nr Part No	Benämning	Description	Sats Kit	Anmärkning Notes	
	2829 -28	2847 -28	2863 -28						
730	1	1	1	1812-1802-01	Kopplingshandtag- vä .....	Clutch handle- LH.....			
731	1	1	1	1812-1801-01	Kopplingshandtag- hö.....	Clutch handle- RH .....			
732	2	2	2	1812-1774-01	Handtag .....	Grip .....			
760	1		1	1812-1796-01	Reglagepanel .....	Control panel.....			
760		1		1812-2115-01	Reglagepanel .....	Control panel.....			
761	4	4	4	1812-1394-01	Skruv .....	Screw .....			
765	2	2	2	1812-1186-01	Panelfäste .....	Panel bracket .....			
766	2	2	2	9988-3645-16	Skruv .....	Screw .....			
767	2	2	2	9683-0030-02	Låsbricka .....	Lock washer .....			
768	2	2	2	1812-1759-01	Mutter .....	Nut .....			
792	2	2	2	9988-3513-16	Skruv .....	Screw .....			
794	2	2	2	9795-3531-02	Mutter .....	Nut .....			

Se "Reglagepanel"  
See "Control Panel"

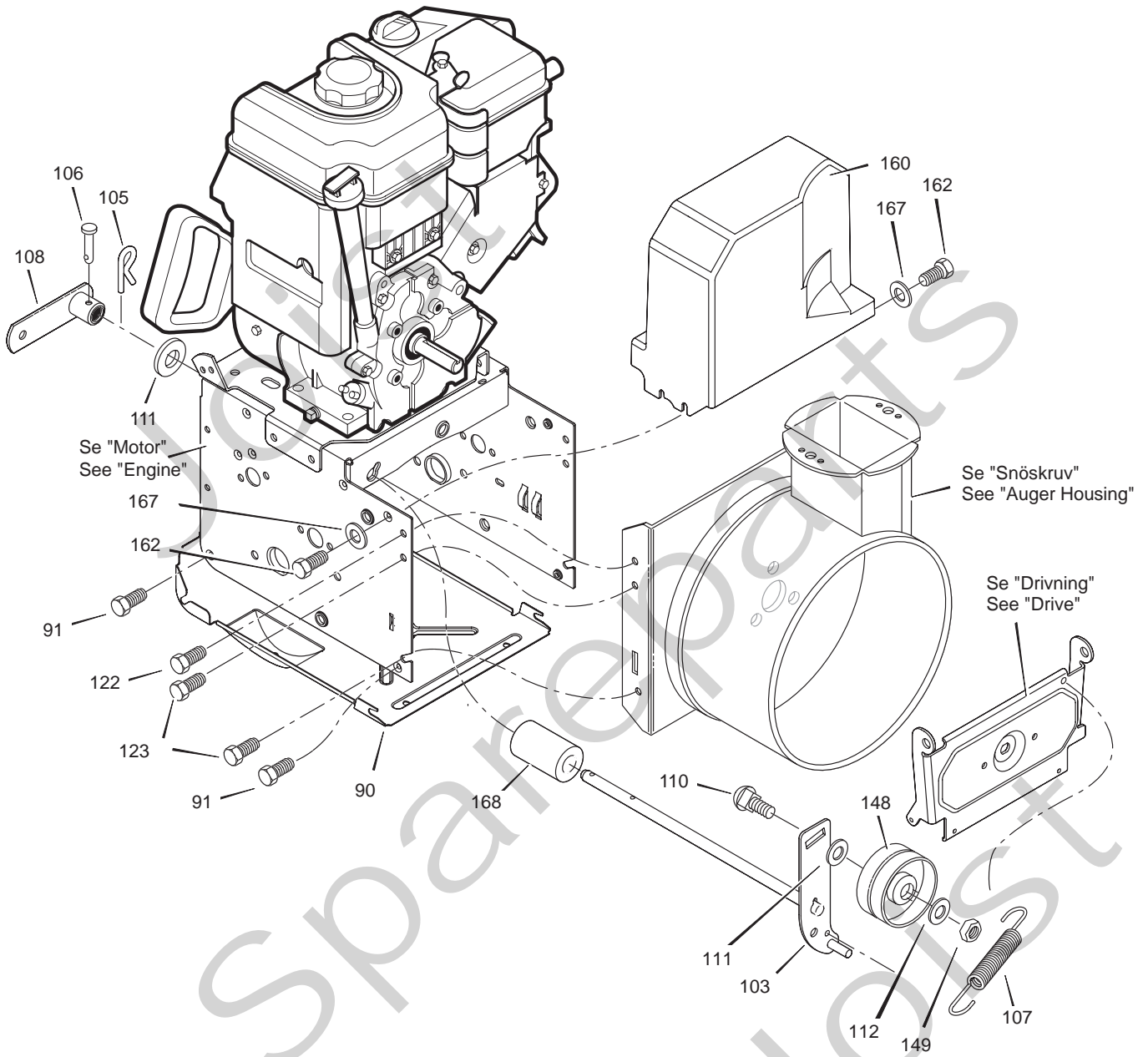


Utgåva Issue 2007-14		Bildnr Picture No 1527C		SNOW FLAKE SNOW POWER STRÅLKASTARE		SNOW FLAKE SNOW POWER HEADLIGHT		Sida Page 72	
Pos. Fig.	Antal/Quantity				Art nr Part No	Benämning	Description	Sats Kit	Anmärkning Notes
	2829 -28	2847 -28							
621	1	1			1812-1780-01	Strålkastare kpl.....	Headlight assy.....		27W
621 A	1	1			1812-1909-01	• Halogenlampa.....	• Halogene bulb .....		
622	1	1			1812-1820-01	Kablage.....	Harness.....		
625	1	1			9579-0003-00	Buntband.....	Cable holder .....		
626	1	1			1812-1187-01	Lampfäste.....	Light bracket .....		
627	3	3			1812-1476-01	Skruv.....	Screw.....		
628	3	3			1812-1477-01	Planbricka.....	Flat washer.....		
629	1	1			1812-1815-01	Lock.....	Cover .....		
630	1	1			1812-1816-01	Lock.....	Cover .....		
631	4	4			1812-1797-01	List.....	Strip.....		
632	12	12			1812-1769-01	Låsning.....	Push nut .....		





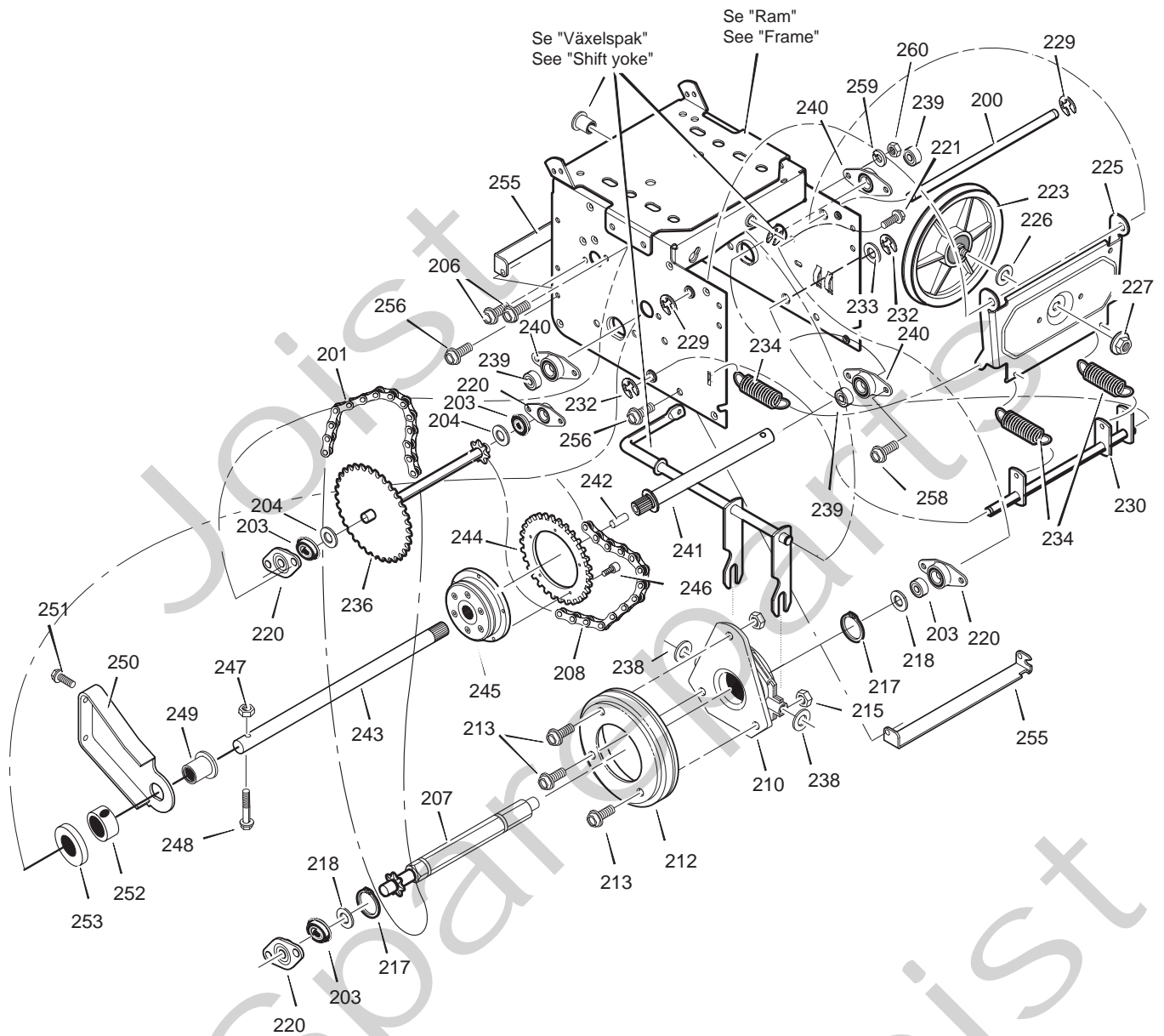
Utgåva Issue 2007-14		Bildnr Picture No 1776B		SNOW FLAKE SNOW POWER SNOW SUPER MOTOR		SNOW FLAKE SNOW POWER SNOW SUPER ENGINE		Sida Page 74	
Pos. Fig.	Antal/Quantity			Art nr Part No	Benämning	Description	Sats Kit	Anmärkning Notes	
	2829 -28	2847 -28	2863 -28						
X	1	1	1	1812-1615-01	Förlängningssladd .....	Extension cord .....			
	3	4	4	1812-1678-01	Vagnsbult .....	Carriage bolt .....			
	4	4	4	1812-1681-01	Hållare .....	Retainer .....			
	5	4	4	9795-3631-02	Mutter .....	Nut .....			
	6	1	1	1812-1719-01	Motorremskiva .....	Engine pulley .....			
	7		1	1812-1677-01	Bricka .....	Washer .....			
	7	1	1	1812-2284-01	Bricka .....	Washer .....			
	8	1	1	9683-0030-02	Låsbricka .....	Lock washer .....			
	8		1	9683-0035-02	Låsbricka .....	Lock washer .....			
	9		1	1812-2079-01	Skruv .....	Screw .....		3/8- 24 x 1"	
	9	1	1	9987-5125-16	Skruv .....	Screw .....		5/16- 24 x 1"	
	10	1	1	1812-9016-01	Drivrem .....	Drive belt .....			
	11	1	1	1812-9020-01	Drivrem .....	Drive belt .....			
	12	1	1	1812-1722-01	Spännrullsfäste .....	Idler bracket .....			
	13	1	1	1812-1705-01	Bussning .....	Bushing .....			
	14	1	1	9683-0030-02	Låsbricka .....	Lock washer .....			
	15	1	1	9987-5119-16	Skruv .....	Screw .....			
	16	1	1	1812-1835-01	Fjäder .....	Spring .....			
	17	1	1	1812-2077-01	Spännrulle .....	Tension roller .....			
	18	1	1	9743-3721-32	Mutter .....	Nut .....			
	20	1	1	1812-1742-01	Remstyrning .....	Belt guide .....			
	22	1	1	9683-0030-02	Låsbricka .....	Lock washer .....			
	24	2	2	9987-5119-16	Skruv .....	Screw .....			
	25	1	1	1812-1703-01	Motorplatta .....	Engine mount plate .....			
	26	6	6	9988-3516-16	Skruv .....	Screw .....			
	27	4	4	1812-1832-01	Skruv .....	Screw .....			
	28		1	1812-1849-01	Motorchassi .....	Engine box frame .....			
	28	1		1812-1931-01	Motorchassi .....	Engine box frame .....			
	28		1	1812-1938-01	Motorchassi .....	Engine box frame .....			
	29		1	1812-1786-01	Startnyckel .....	Engine key .....			
X	29	1	1	1812-2290-01	Nyckel .....	Key .....			
X	30	1	1	1812-2291-01	Deflektor .....	Deflector .....			
X	31	1	1	1812-2297-01	Skruv .....	Screw .....			



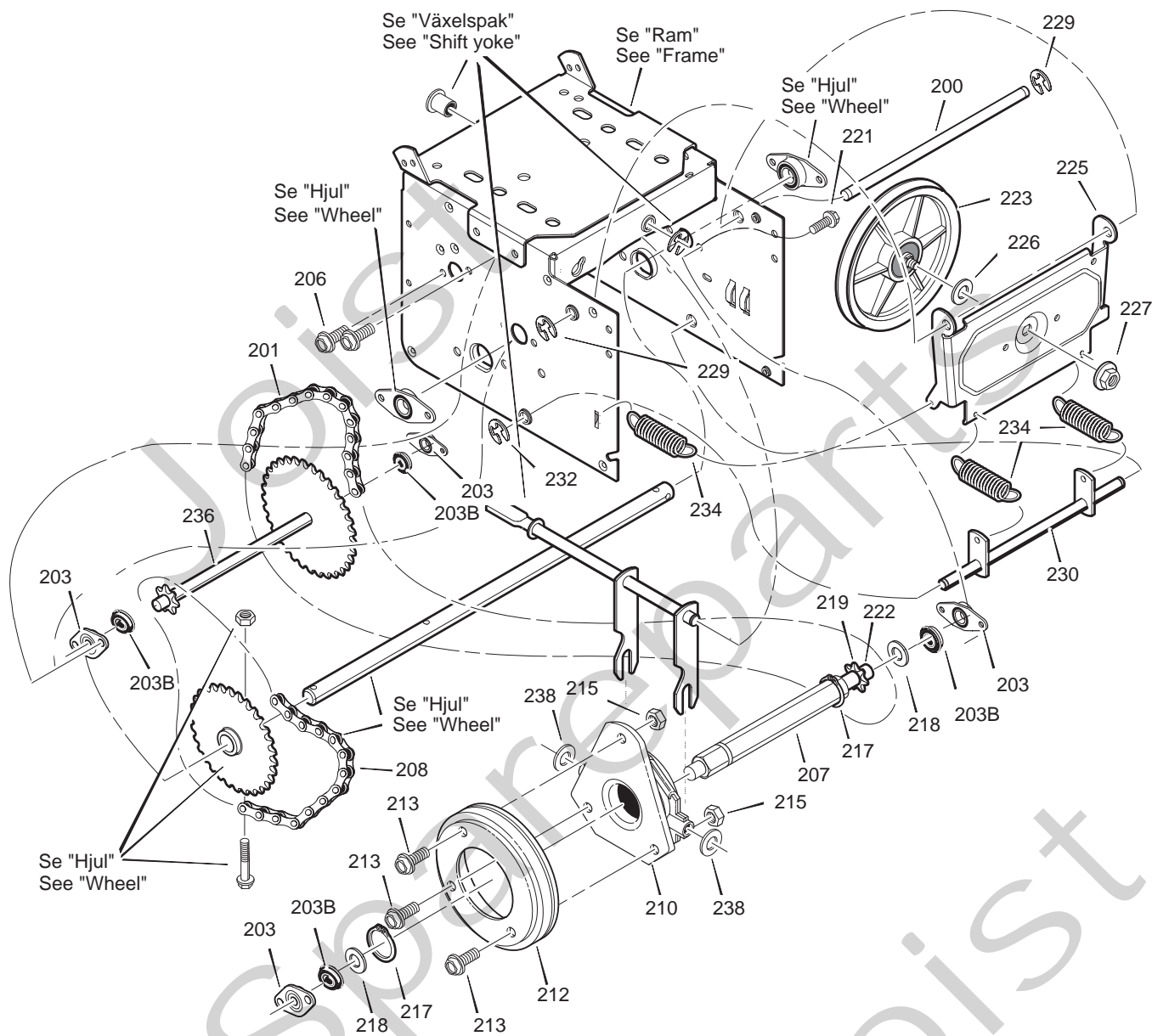
Utgåva Issue 2007-14		Bildnr Picture No 1315D		SNOW FLAKE SNOW POWER SNOW SUPER RAM		SNOW FLAKE SNOW POWER SNOW SUPER FRAME		Sida Page 76	
Pos. Fig.	Antal/Quantity			Art nr Part No	Benämning	Description	Sats Kit	Anmärkning Notes	
	2829 -28	2847 -28	2863 -28						
90	1	1	1	1812-1700-01	Bottenplåt .....	Bottom cover .....			
91	4	4	4	9988-3516-16	Skruv .....	Screw .....			
103			1	1812-1747-01	Spännarm .....	Idler .....			
103	1	1		1812-2004-01	Spännarm .....	Idler .....			
105	1	1	1	1812-1511-01	Låsstift .....	Hair pin .....			
106	1	1	1	1812-1533-01	Pinne .....	Klik pin .....			
107	1	1	1	1812-1676-01	Fjäder .....	Tension spring .....			
108			1	1812-1693-01	Fjäderfäste .....	Spring attachment .....			
108	1	1		1812-2308-01	Reglagearm .....	Control arm .....			
110	1	1	1	9899-3732-16	Skruv .....	Screw .....			
111	2	2	2	1812-1509-01	Planbricka .....	Flat washer .....			
112	1	1	1	1812-2108-01	Bricka .....	Washer .....			
122	2	2	2	1812-1832-01	Skruv .....	Screw .....			
123	4	4	4	1812-1833-01	Skruv .....	Screw .....			
148	1	1	1	1812-2077-01	Spännrulle .....	Tension roller .....			
149	1	1	1	9743-3721-32	Mutter .....	Nut .....			
160	1	1	1	1812-2078-01	Remskydd .....	Belt cover .....			
162	2	2	2	1812-1680-01	Skruv .....	Screw .....			
167	2	2	2	9699-0028-02	Planbricka .....	Flat washer .....			
168	1	1	1	1812-2075-01	Distans .....	Spacer .....			

X

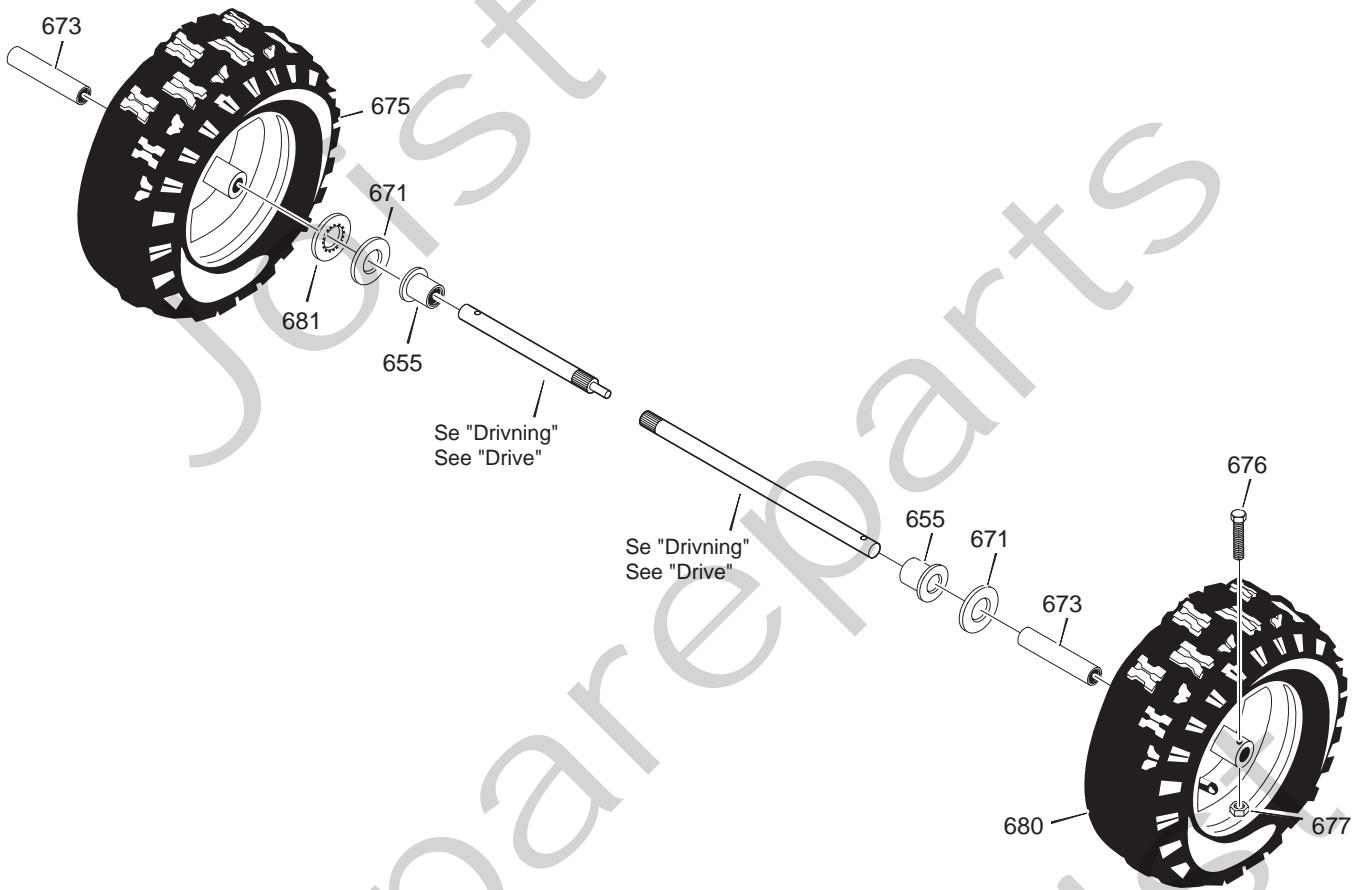
Joist Spareparts



Utgåva Issue 2007-14		Bildnr Picture No 1777C		SNOW FLAKE SNOW POWER DRIVNING		SNOW FLAKE SNOW POWER DRIVE		Sida Page 78	
Pos. Fig.	Antal/Quantity			Art nr Part No	Benämning	Description	Sats Kit	Anmärkning Notes	
	2829 -28	2847 -28							
200	1	1		1812-1713-01	Axel- svängplatta .....	Axle- swing plate .....			
201	1	1		1812-1686-01	Kedja .....	Chain .....			
203	4	4		1812-1207-01	Kullager .....	Ball bearing .....			
204	2	2		1812-1204-01	Bricka .....	Washer .....			
206	4	4		1812-1832-01	Skruv .....	Screw .....			
207	1	1		1812-2000-01	Sexkantsaxel.....	Hex shaft.....			
208	1	1		1812-1688-01	Kedja .....	Chain.....			
210	1	1		1812-1313-01	Lager .....	Trunion bearing .....			
212	1	1		1812-9028-01	Friktionshjul.....	Friction disc wheel .....			
213	3	3		9988-3516-16	Skruv .....	Screw .....			
215	3	3		9795-3531-02	Mutter.....	Nut .....			
217	2	2		1812-1687-01	Låsring .....	Retext ring .....			
218	2	2		1812-1204-01	Bricka .....	Washer.....			
220	4	4		1812-1200-01	Lagerhållare.....	Bearing retainer.....			
221	2	2		1812-1832-01	Skruv .....	Screw.....			
223	1	1		1812-1725-01	Friktionsremskiva .....	Friction pulley .....			
225	1	1		1812-1701-01	Svängplatta .....	Swing plate .....			
226	1	1		1812-1739-01	Distans .....	Spacer.....			
227	1	1		1812-1674-01	Flänslåsmutter .....	Flange lock nut .....			
229	2	2		1812-1672-01	Låsring .....	Retainer ring .....			
230	1	1		1812-2101-01	Fjäderlänkarm.....	Spring link .....			
232	2	2		1812-1672-01	Låsring .....	Retainer ring .....			
233	1	1		1812-2080-01	Bricka .....	Washer.....			
234	3	3		1812-1675-01	Fjäder.....	Spring .....			
236	1	1		1812-1715-01	Mellanaxel m.drev .....	Intermed. sprocket.....		33T/7T	
238	2	2		9699-0038-02	Planbricka.....	Flat washer.....			
239	3	3		1812-1920-01	Kullager .....	Ball bearing .....			
240	3	3		1812-1919-01	Lagerhållare.....	Bearing retainer.....			
241	1	1		1812-2102-01	Axel- vä.....	Axle- LH .....			
242	1	1		1812-2098-01	Axelsprint .....	Axle pin .....			
243	1	1		1812-2001-01	Axel m.bussning- hö.....	Axle & bushing- RH.....			
244	1	1		1812-1935-01	Kedjedrev.....	Sprocket.....			
245	1	1		1812-1933-01	Differential.....	Auto lock clutch .....			
246	5	5		1812-2081-01	Skruv .....	Screw.....			
247	1	1		1812-1760-01	Mutter .....	Nut .....			
248	1	1		1812-1114-01	Bult .....	Bolt .....			
249	1	1		1812-1724-01	Lager .....	Axle bearing .....			
250	1	1		1812-1932-01	Fäste .....	Axle support bracket .....			
251	2	2		1812-1833-01	Skruv .....	Screw.....			
252	2	2		1812-1934-01	Låshylsa .....	Locking collar .....			
253	2	2		1812-1913-01	Bricka .....	Washer.....			
255	2	2		1812-1999-01	Stödstag .....	Support bracket .....			
256	4	4		9988-3516-16	Skruv .....	Screw.....			
258	2	2		9954-3719-16	Skruv .....	Screw.....			
259	2	2		9683-0035-02	Låsbricka .....	Lock washer.....			
260	2	2		9795-3731-02	Mutter.....	Nut.....			

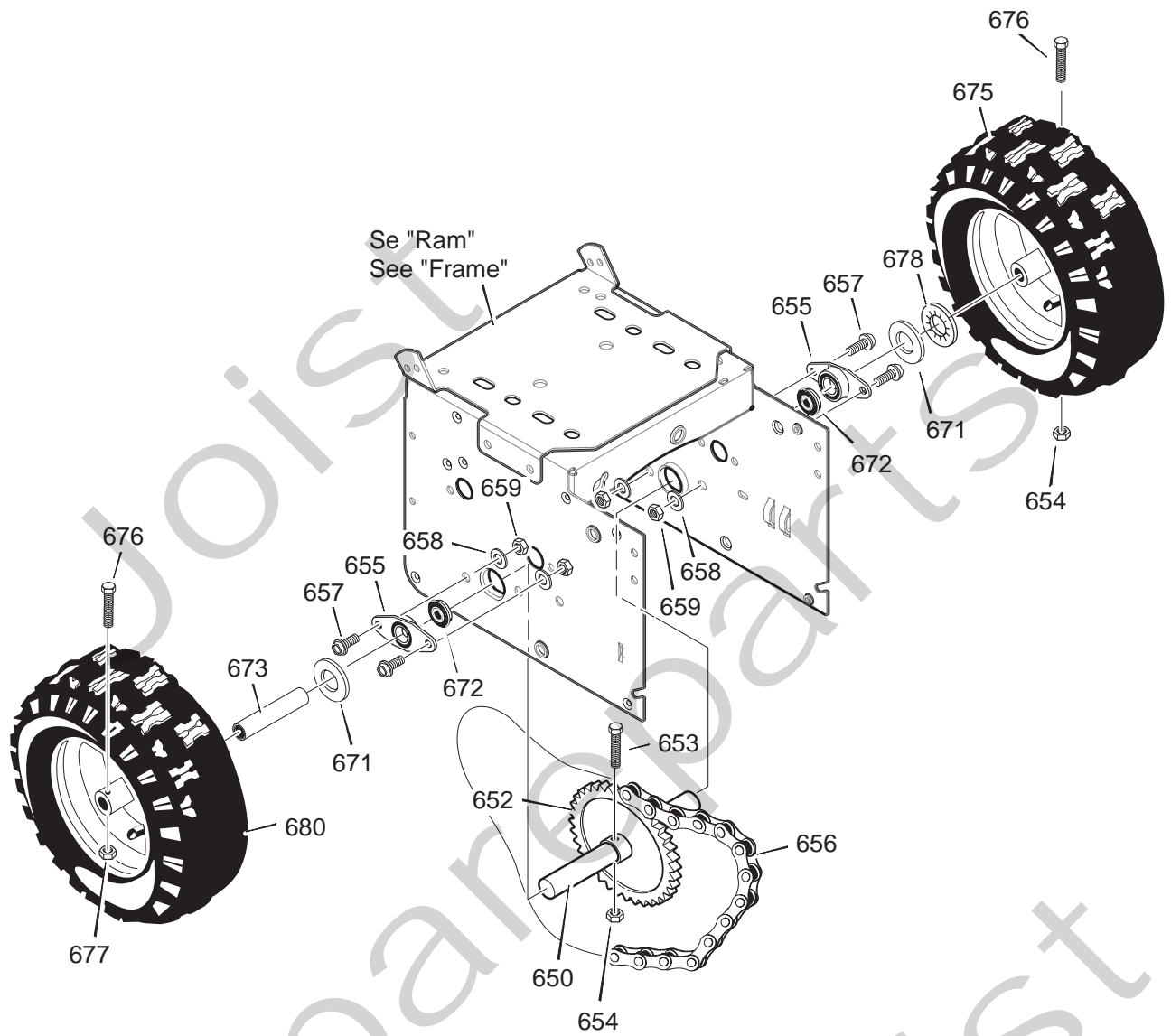


Utgåva Issue		Bildnr Picture No		SNOW SUPER DRIVNING	SNOW SUPER DRIVE	Sida Page			
2007-14		1316C				80			
Pos. Fig.	Antal/Quantity				Art nr Part No	Benämning	Description	Sats Kit	Anmärkning Notes
	2863 -28								
200	1			1812-1713-01	Axel- svängplatta .....	Axle- swing plate .....			
201	1			1812-1686-01	Kedja .....	Chain .....			
203	4			1812-1200-01	Lagerhållare .....	Bearing retainer .....			
203 B	4			1812-1207-01	Kullager .....	Ball bearing .....			
206	4			1812-0385-01	Skruv .....	Screw .....			
207	1			1812-1714-01	Sexkantsaxel .....	Hex shaft .....			
208	1			1812-1688-01	Kedja .....	Chain .....			
210	1			1812-1313-01	Lager .....	Trunion bearing .....			
212	1			1812-9028-01	Friktionshjul .....	Friction disc wheel .....			
213	3			9988-3516-16	Skruv .....	Screw .....			
215	3			9795-3531-02	Mutter .....	Nut .....			
217	2			1812-1687-01	Låsring .....	Retext ring .....			
218	2			1812-1204-01	Bricka .....	Washer .....			
X 219	1			1812-2298-01	Kedjedrev .....	Sprocket .....		7T	
221	4			1812-0385-01	Skruv .....	Screw .....			
222	1			1812-2107-01	Låsring .....	Snap ring .....			
223	1			1812-1725-01	Friktionsremskiva .....	Friction pulley .....			
225	1			1812-1701-01	Svängplatta .....	Swing plate .....			
226	1			1812-1739-01	Distans .....	Spacer .....			
227	1			1812-1674-01	Flänslåsmutter .....	Flange lock nut .....			
229	2			1812-1672-01	Låsring .....	Retainer ring .....			
230	1			1812-1718-01	Fjäderlänkkarm .....	Spring link .....			
232	2			1812-1672-01	Låsring .....	Retainer ring .....			
234	3			1812-1675-01	Fjäder .....	Spring .....			
236	1			1812-1715-01	Mellanaxel m.drev .....	Intermed. sprocket .....		33T/7T	
238	2			9699-0038-02	Planbricka .....	Flat washer .....			

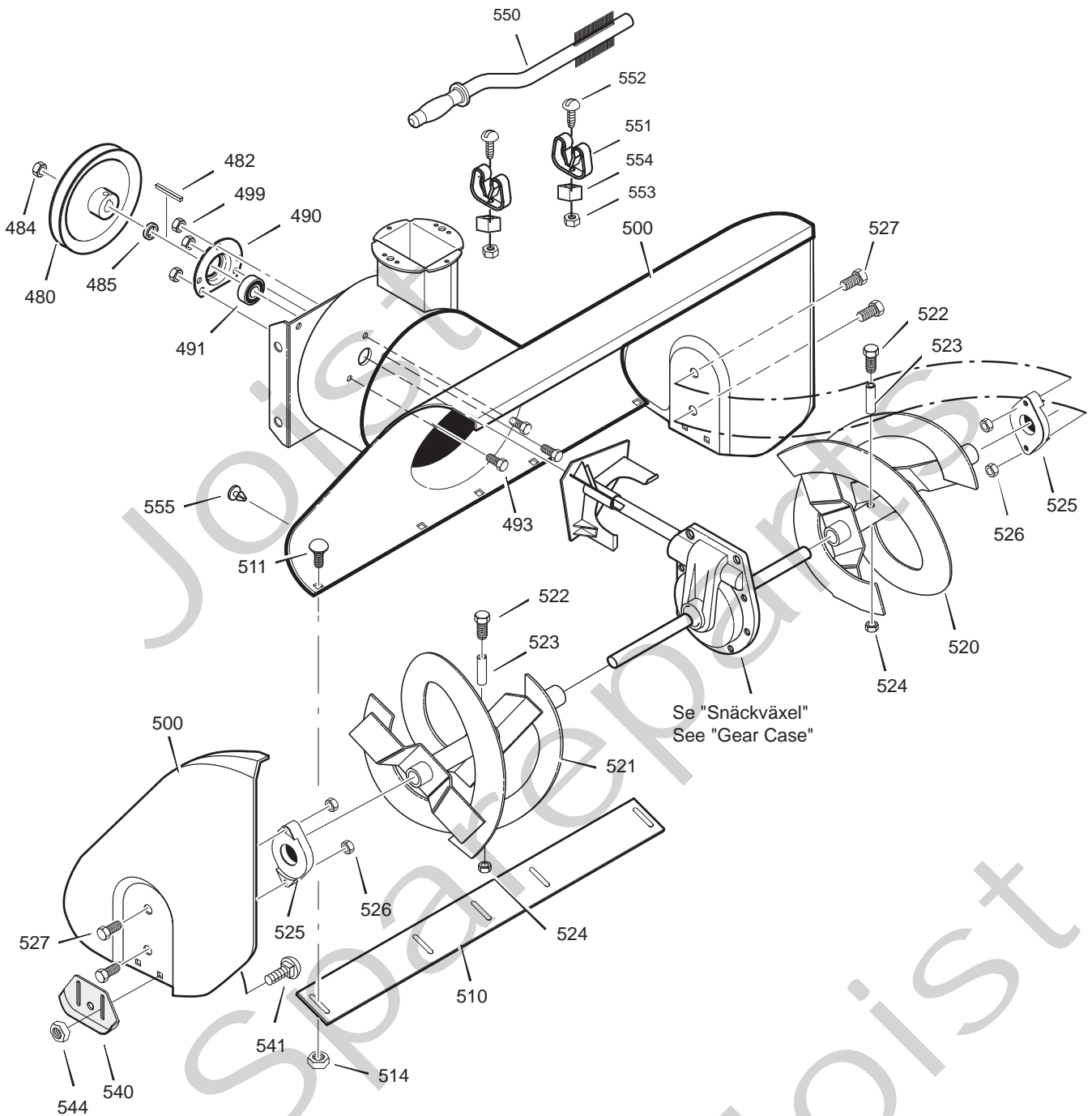




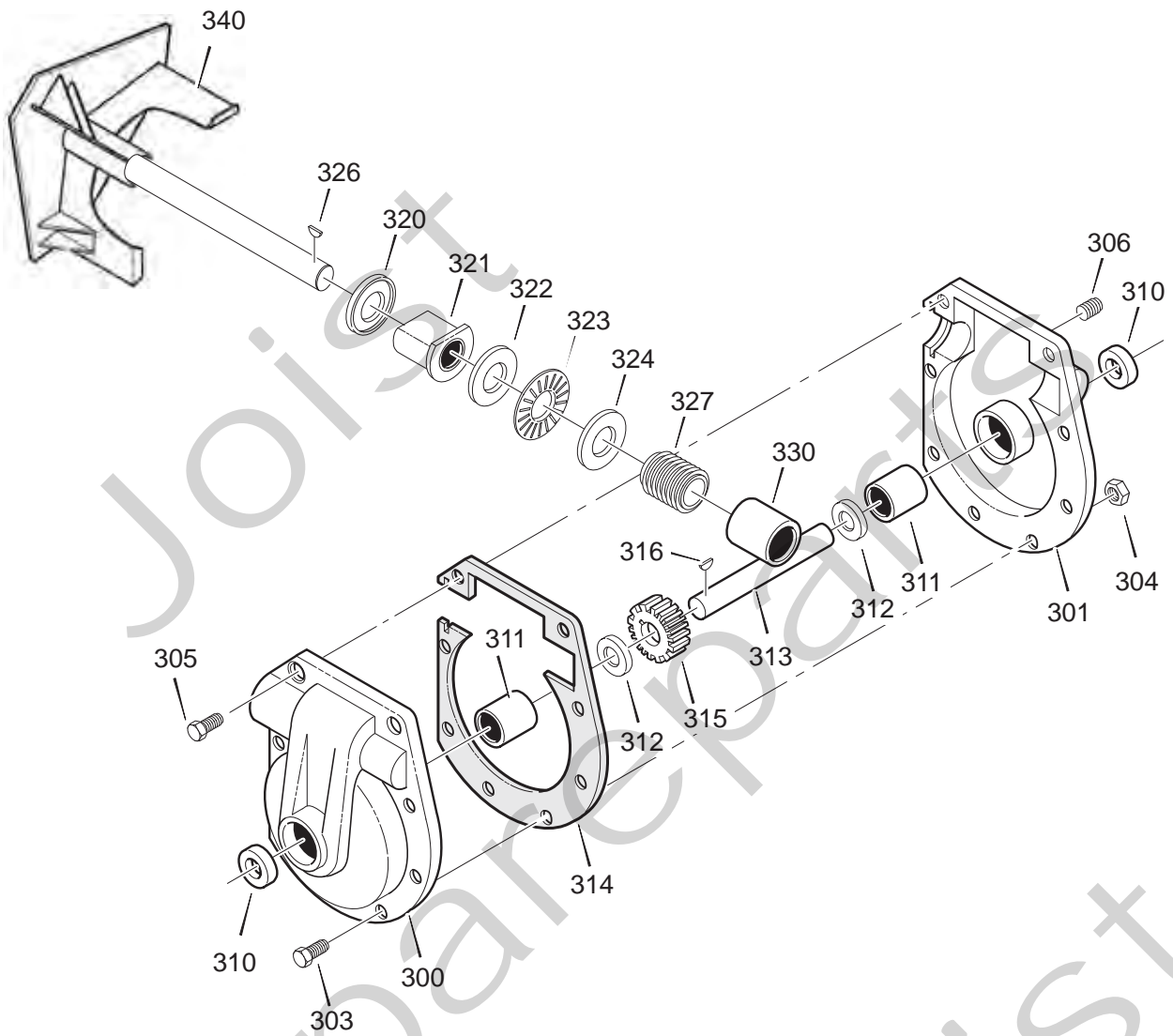
Utgåva Issue 2007-14		Bildnr Picture No 1779B		SNOW FLAKE SNOW POWER HJUL		SNOW FLAKE SNOW POWER WHEELS		Sida Page 82	
Pos. Fig.	Antal/Quantity			Art nr Part No	Benämning	Description	Sats Kit	Anmärkning Notes	
	2829 -28	2847 -28							
655	2	2		1812-1724-01	Lager .....	Axle bearing .....			
671	2	2		1812-2059-01	Bricka .....	Washer .....			
673	2	2		1812-1733-01	Hjulbusning .....	Wheel bushing .....			
675	1	1		1812-1952-01	Hjul kpl- vä.....	Wheel assy- LH .....		4.00/4.80- 8 (16x4")	
676	1	1		1812-1114-01	Bult .....	Bolt .....			
677	1	1		1812-1760-01	Mutter .....	Nut .....			
680	1	1		1812-1951-01	Hjul kpl- hö .....	Wheel assy- RH .....		4.00/4.80- 8 (16x4")	
681	1	1		1812-0567-01	Låsring .....	Retaining ring .....			



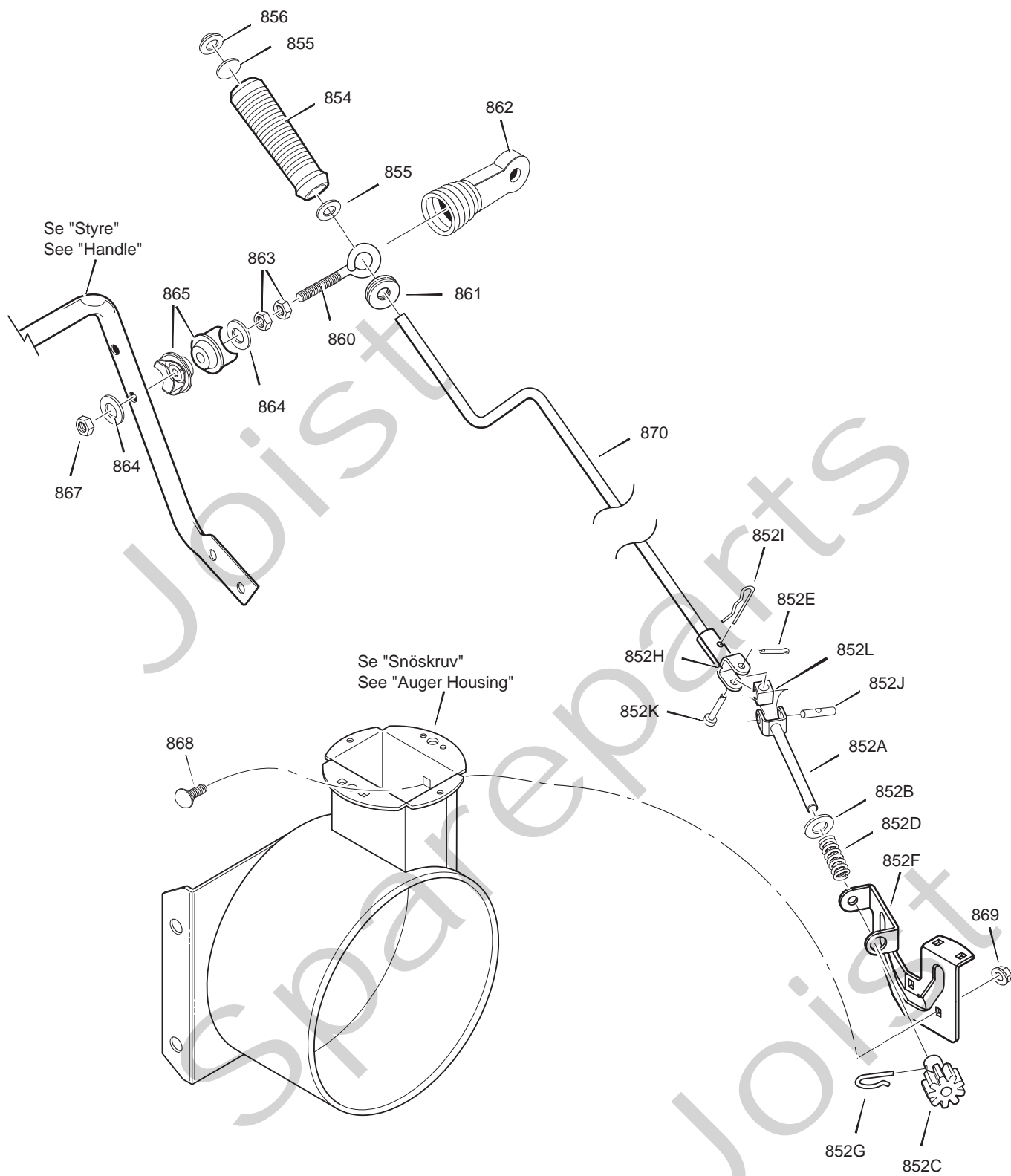
Utgåva Issue		Bildnr Picture No		SNOW SUPER HJUL		SNOW SUPER WHEELS		Sida Page	
2007-14		1778B						84	
Pos. Fig.	Antal/Quantity				Art nr Part No	Benämning	Description	Sats Kit	Anmärkning Notes
	2863 -28								
650	1				1812-1864-01 Hjulaxel.....	Wheel axle.....			
652	1				1812-1712-01 Kedjedrev.....	Sprocket.....			
653	1				1812-1755-01 Skruv.....	Screw.....			
654	2				1812-1760-01 Mutter.....	Nut.....			
655	2				1812-1919-01 Lagerhållare.....	Bearing retainer.....			
656	1				1812-1688-01 Kedja.....	Chain.....			
657	4				9954-3719-16 Skruv.....	Screw.....			
658	4				9683-0035-02 Låsbricka.....	Lock washer.....			
659	4				9795-3731-02 Mutter.....	Nut.....			
671	2				1812-2059-01 Bricka.....	Washer.....			
672	2				1812-1920-01 Kullager.....	Ball bearing.....			
673	2				1812-1733-01 Hjulbussning.....	Wheel bushing.....			
675	1				1812-1952-01 Hjul kpl- vä.....	Wheel assy- LH.....		4.00/4.80- 8 (16x4")	
676	2				1812-1114-01 Bult.....	Bolt.....			
677	1				1812-1758-01 Mutter.....	Nut.....			
678	2				1812-0567-01 Låsring.....	Retaining ring.....			
680	1				1812-1951-01 Hjul kpl- hö.....	Wheel assy- RH.....		4.00/4.80- 8 (16x4")	



Utgåva Issue 2007-14		Bildnr Picture No 1326B		SNOW FLAKE SNOW POWER SNOW SUPER SNÖSKRUV		SNOW FLAKE SNOW POWER SNOW SUPER AUGER HOUSING		Sida Page 86	
Pos. Fig.	Antal/Quantity			Art nr Part No	Benämning	Description	Sats Kit	Anmärkning Notes	
	2829 -28	2847 -28	2863 -28						
480	1	1	1	1812-1261-01	Remskiva.....	Auger pulley.....			
482	1	1	1	1812-1609-01	Kil.....	Key.....			
484	1	1	1	1812-1673-01	Mutter.....	Nut.....			
485	1	1	1	1812-1739-01	Distans.....	Spacer.....			
490	1	1	1	1812-1690-01	Kullagerhållare.....	Ball bearing retainer.....			
491	1	1	1	1812-1858-01	Kullager.....	Ball bearing.....			
493	3	3	3	9899-3622-16	Skruv.....	Screw.....			
499	3	3	3	9795-3631-02	Mutter.....	Nut.....			
500	1		1	1812-1940-01	Snöskruvhus.....	Auger housing.....			
500		1		1812-1941-01	Snöskruvhus.....	Auger housing.....			
510		1		1812-1449-01	Skrapskär.....	Scraper blade.....			
510	1		1	1812-1450-01	Skrapskär.....	Scraper blade.....			
511	5	5	5	9899-3622-16	Skruv.....	Screw.....			
514	5	5	5	9795-3631-02	Mutter.....	Nut.....			
520		1		1812-1837-01	Snöskruv-vä.....	Auger-LH.....			
520	1		1	1812-1841-01	Snöskruv-vä.....	Auger-LH.....			
521		1		1812-1838-01	Snöskruv-hö.....	Auger-RH.....			
521	1		1	1812-1842-01	Snöskruv-hö.....	Auger-RH.....			
522	1	1	1	1812-9005-01	Brytbultsats.....	Shear bolt kit.....			
523	2	2	2	1812-0531-01	• Distans.....	• Spacer.....			
524	2	2	2	1812-0812-01	• Låsmutter.....	• Locking nut.....			
525	2	2	2	1812-0347-01	Lager.....	Bearing.....			
526	4	4	4	9795-3631-02	Mutter.....	Nut.....			
527	4	4	4	1812-1833-01	Skruv.....	Screw.....			
540	2	2	2	1812-1391-01	Släpsko.....	Height adjustor skid.....			
541	4	4	4	9899-3622-16	Skruv.....	Screw.....			
544	4	4	4	9795-3631-02	Mutter.....	Nut.....			
550	1	1	1	1812-1930-01	Rengöringsborste.....	Clean-out brush.....			
551	2	2	2	1812-1939-01	Hållare.....	Clips.....			
552	2	2	2	1812-1917-01	Skruv.....	Screw.....			
553	2	2	2	1812-1912-01	Mutter.....	Nut.....			
554	2	2	2	1812-1317-01	Ledknut.....	Universal pivot block.....			
555	2	2	2	1812-1430-01	Plugg.....	Plug.....			

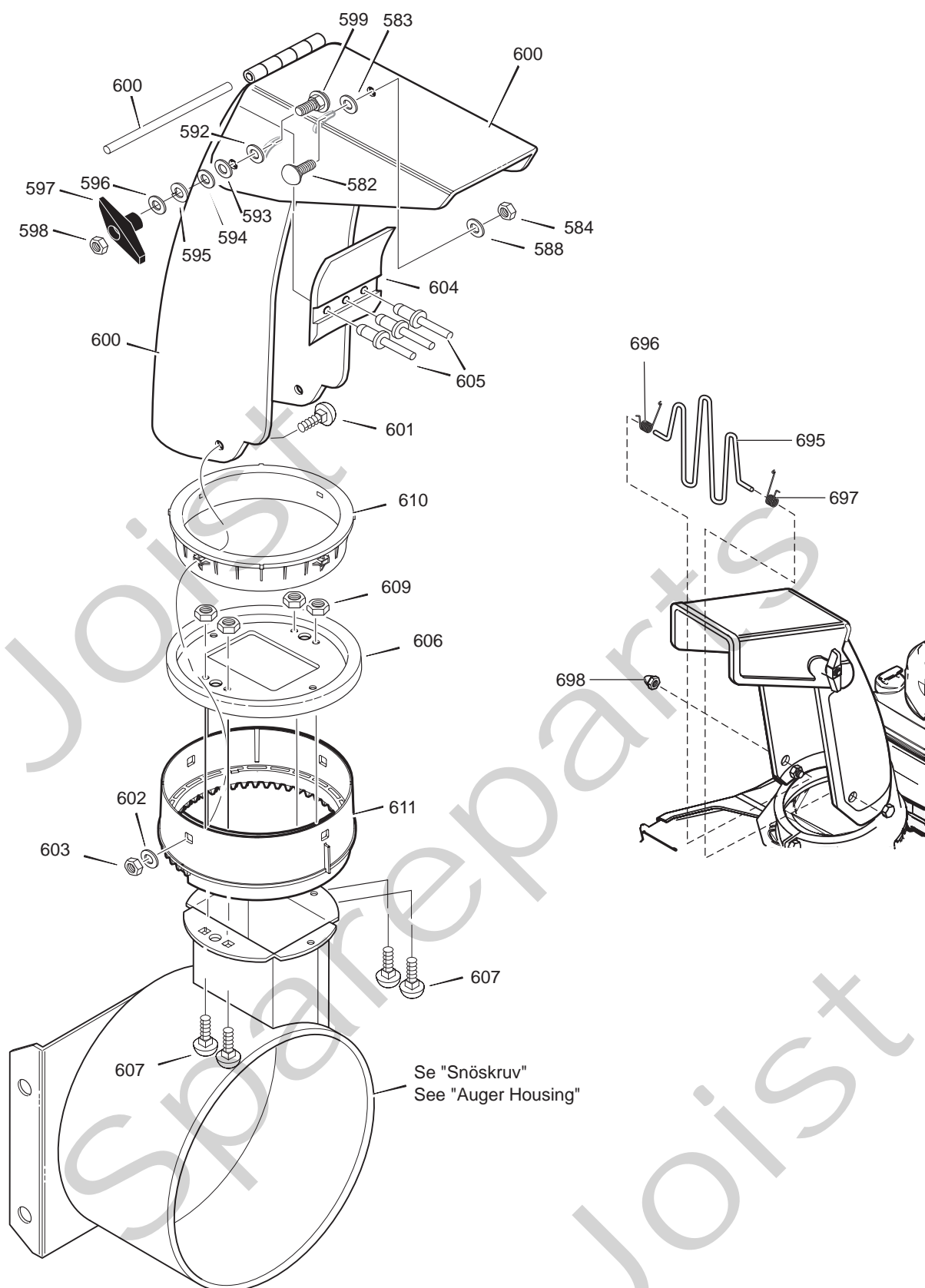


Utgåva Issue 2007-14		Bildnr Picture No 1324		SNOW FLAKE SNOW POWER SNOW SUPER SNÄCKVÄXEL		SNOW FLAKE SNOW POWER SNOW SUPER GEAR CASE		Sida Page 88	
Pos. Fig.	Antal/Quantity			Art nr Part No	Benämning	Description	Sats Kit	Anmärkning Notes	
	2829 -28	2847 -28	2863 -28						
300	1	1	1	1812-0228-01	Snäckväxelhus- hö .....	Gear case- RH .....			
301	1	1	1	1812-0227-01	Snäckväxelhus- vä .....	Gear case- LH .....			
303	7	7	7	9987-5125-16	Skruv .....	Screw .....			
304	8	8	8	9743-5121-02	Mutter .....	Nut .....			
305	1	1	1	9987-5145-12	Skruv .....	Screw .....			
306	1	1	1	1812-0346-01	Oljeplugg .....	Oil plug .....			
310	2	2	2	1812-0344-01	Tätningring .....	Ring .....			
311	2	2	2	1812-0343-01	Lager .....	Bearing .....			
312	2	2	2	1812-0345-01	Bricka .....	Washer .....			
313		1		1812-1442-01	Snöskruvaxel .....	Auger shaft .....			
313	1		1	1812-1443-01	Snöskruvaxel .....	Auger shaft .....			
314	1	1	1	1812-0226-01	Packning .....	Gasket .....			
315	1	1	1	1812-0335-01	Drev .....	Worm gear .....			
316	1	1	1	1812-0409-01	Woodruffkil .....	Woodruffkey .....			
320	1	1	1	1812-0341-01	Tätningring .....	Ring .....			
321	1	1	1	1812-1259-01	Flänslager .....	Flange bearing .....			
322	1	1	1	1812-0857-01	Bricka .....	Thrust washer .....			
323	1	1	1	1812-0285-01	Nållager .....	Needle bearing .....			
324	1	1	1	1812-0857-01	Bricka .....	Thrust washer .....			
326	1	1	1	1812-0307-01	Kil .....	Key .....			
327	1	1	1	1812-0336-01	Snäckdrev .....	Gear .....			
330	1	1	1	1812-0297-01	Lager .....	Bearing .....			
340	1	1	1	1812-1735-01	Fläkt m. fläktaxel .....	Impeller assy .....			





Utgåva Issue 2007-14		Bildnr Picture No 2192		SNOW FLAKE SNOW POWER SNOW SUPER INSTÄLLINGSVEV		SNOW FLAKE SNOW POWER SNOW SUPER CHUTE ROD		Sida Page 90	
Pos. Fig.	Antal/Quantity			Art nr Part No	Benämning	Description	Sats Kit	Anmärkning Notes	
	2829 -28	2847 -28	2863 -28						
852 A	1	1	1	1812-1826-01	Gaffelstång .....	Yoke and rod .....			
852 B	1	1	1	1812-2108-01	Bricka .....	Washer .....			
852 C	1	1	1	1812-1706-01	Drev .....	Gear .....			
852 D	1	1	1	1812-1761-01	Fjäder .....	Spring .....			
852 E	1	1	1	9599-0033-00	Saxsprint .....	Split pin .....			
852 F	1	1	1	1812-1793-01	Fäste .....	Bracket .....			
852 G	1	1	1	1812-1791-01	Låsna! .....	Hair pin .....			
852 H	1	1	1	1812-1708-01	Gaffel .....	Yoke adapter .....			
852 I	1	1	1	1812-1511-01	Låsstift .....	Hair pin .....			
852 J	1	1	1	1812-1316-01	Axel .....	Universal pin .....			
852 K	1	1	1	1812-1318-01	Sprint .....	Clevis pin .....			
852 L	1	1	1	1812-1317-01	Ledknut .....	Universal pivot block .....			
854	1	1	1	1812-1168-01	Handtag .....	Handle .....			
855	2	2	2	1812-1171-01	Bricka .....	Washer .....			
856	1	1	1	1812-1483-01	Låsning .....	Retainer .....			
860	1	1	1	1812-1821-01	Öglebult .....	Eye bolt .....			
861	1	1	1	1812-0203-01	Hylsa .....	Grommet .....			
862	1	1	1	1812-1822-01	Hylsa- öglebult .....	Boot-eye bolt .....			
863	2	2	2	9743-3721-32	Mutter .....	Nut .....			
864	2	2	2	9699-0035-02	Planbricka .....	Flat washer .....			
865	2	2	2	1812-1172-01	Adapter .....	Boot adaptor .....			
867	1	1	1	9743-3721-32	Mutter .....	Nut .....			
868	1	1	1	1812-1831-01	Skruv .....	Screw .....			
869	1	1	1	1812-1760-01	Mutter .....	Nut .....			
870	1	1	1	1812-1707-01	Inställningsvev .....	Chute crank .....			



Utgåva Issue 2007-14		Bildnr Picture No 1327C		SNOW FLAKE SNOW POWER SNOW SUPER UTKAST		SNOW FLAKE SNOW POWER SNOW SUPER DISCHARGE CHUTE		Sida Page 92	
Pos. Fig.	Antal/Quantity			Art nr Part No	Benämning	Description	Sats Kit	Anmärkning Notes	
	2829 -28	2847 -28	2863 -28						
582	1	1	1	9899-3622-16	Skruv.....	Screw.....			
583	1	1	1	1812-1163-01	Plastbricka.....	Plastic washer.....			
584	1	1	1	9743-3621-32	Mutter.....	Nut.....			
588	1	1	1	1812-0667-01	Plastbricka.....	Plastic washer.....			
592	1	1	1	1812-1163-01	Plastbricka.....	Plastic washer.....			
593	1	1	1	1812-0667-01	Plastbricka.....	Plastic washer.....			
594	1	1	1	9699-0029-02	Planbricka.....	Flat washer.....			
595	1	1	1	9683-0030-02	Låsbricka.....	Lock washer.....			
596	1	1	1	9699-0029-02	Planbricka.....	Flat washer.....			
597	1	1	1	1133-0932-01	Låsraff.....	T-knob.....			
598	1	1	1	1812-1759-01	Mutter.....	Nut.....			
599	1	1	1	1812-1678-01	Vagnsbult.....	Carriage bolt.....			
600	1	1	1	1812-2103-01	Utkast.....	Chute.....			
601	3	3	3	9899-3625-16	Skruv.....	Screw.....			
602	3	3	3	9699-0029-02	Planbricka.....	Flat washer.....			
603	3	3	3	9743-3621-32	Mutter.....	Nut.....			
604	1	1	1	1812-1436-01	Utkastskydd.....	Chute flap.....			
605	3	3	3	1812-1462-01	Popnit.....	Pop rivet.....			
606	1	1	1	1812-1983-01	Utkastplatta.....	Chute rotate collar.....			
607	4	4	4	1812-1831-01	Skruv.....	Screw.....			
609	4	4	4	1812-1760-01	Mutter.....	Nut.....			
610	1	1	1	1812-1366-01	Utkastring-inre.....	Chute rot. ring-inner.....			
611	1	1	1	1812-1787-01	Utkastring-yttre.....	Retainer ring-outer.....			
695	1	1	1	1133-0970-01	Utkastskydd.....	Wire chute guide.....			
696	1	1	1	1133-0944-01	Fjäder.....	Torsion chute spring.....			
697	1	1	1	1133-0945-01	Fjäder.....	Torsion chute spring.....			
698	2	2	2	1133-0937-01	Hattlåsning.....	Acorn nut.....			