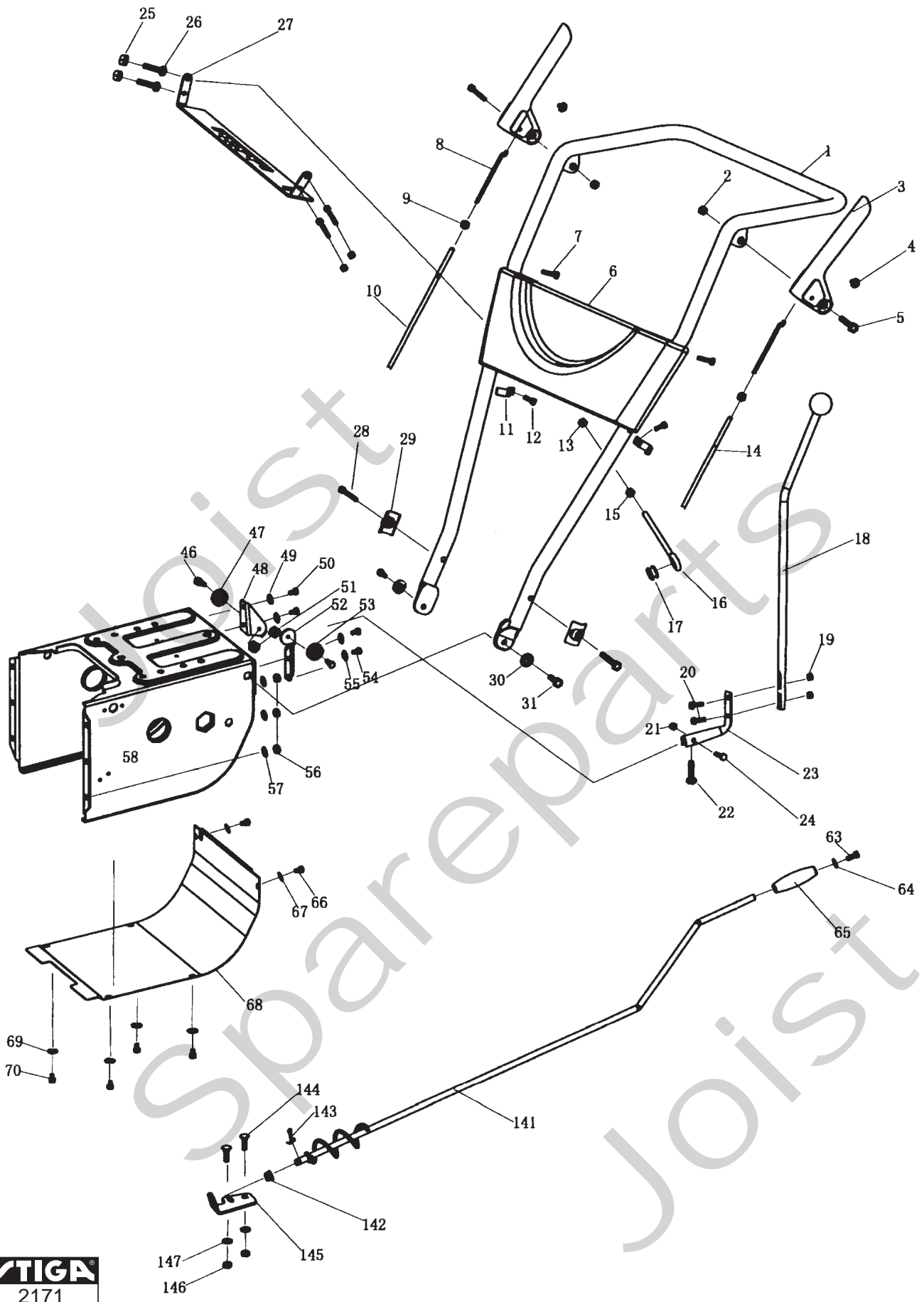


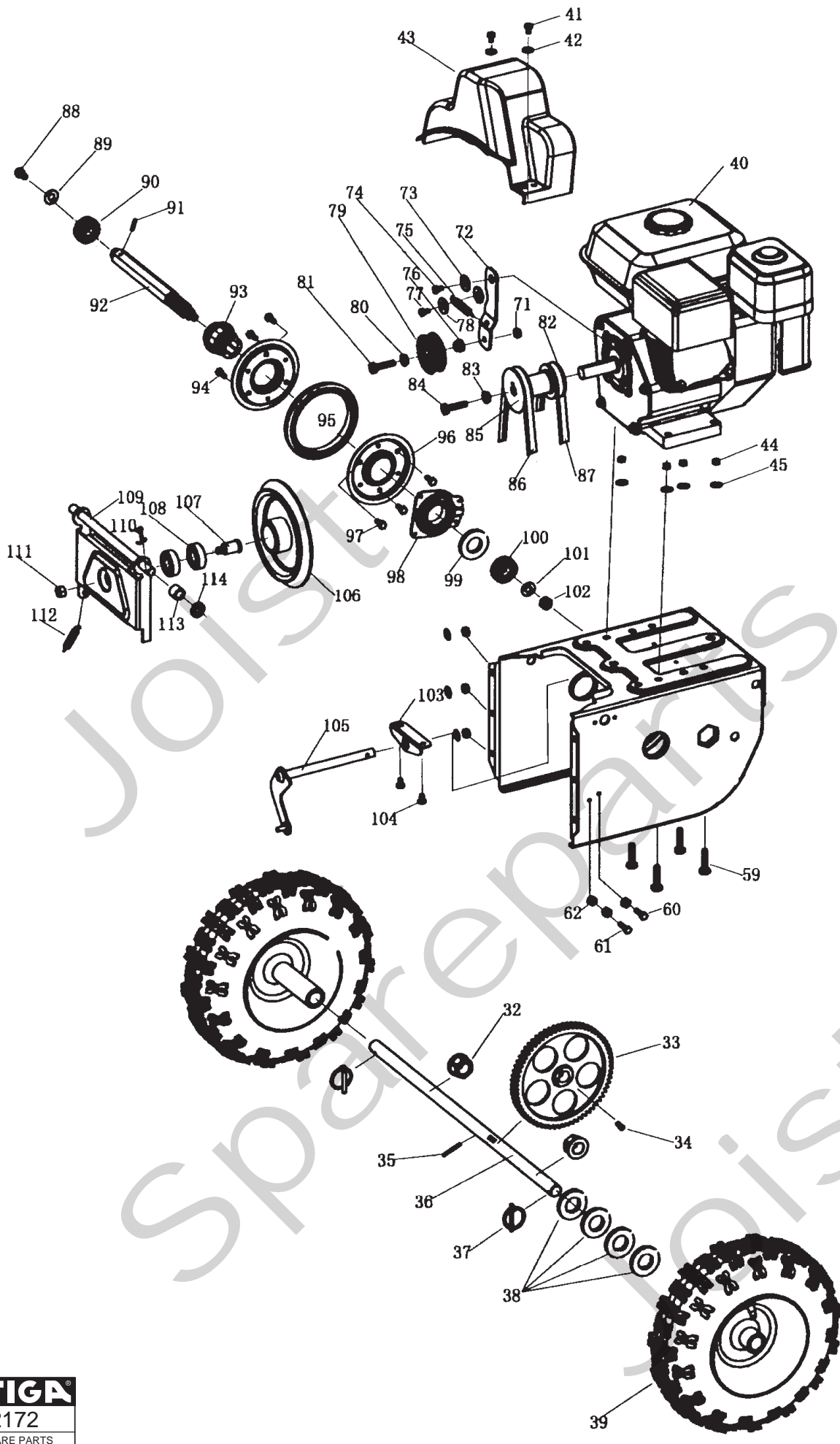
Genuine Spare Parts



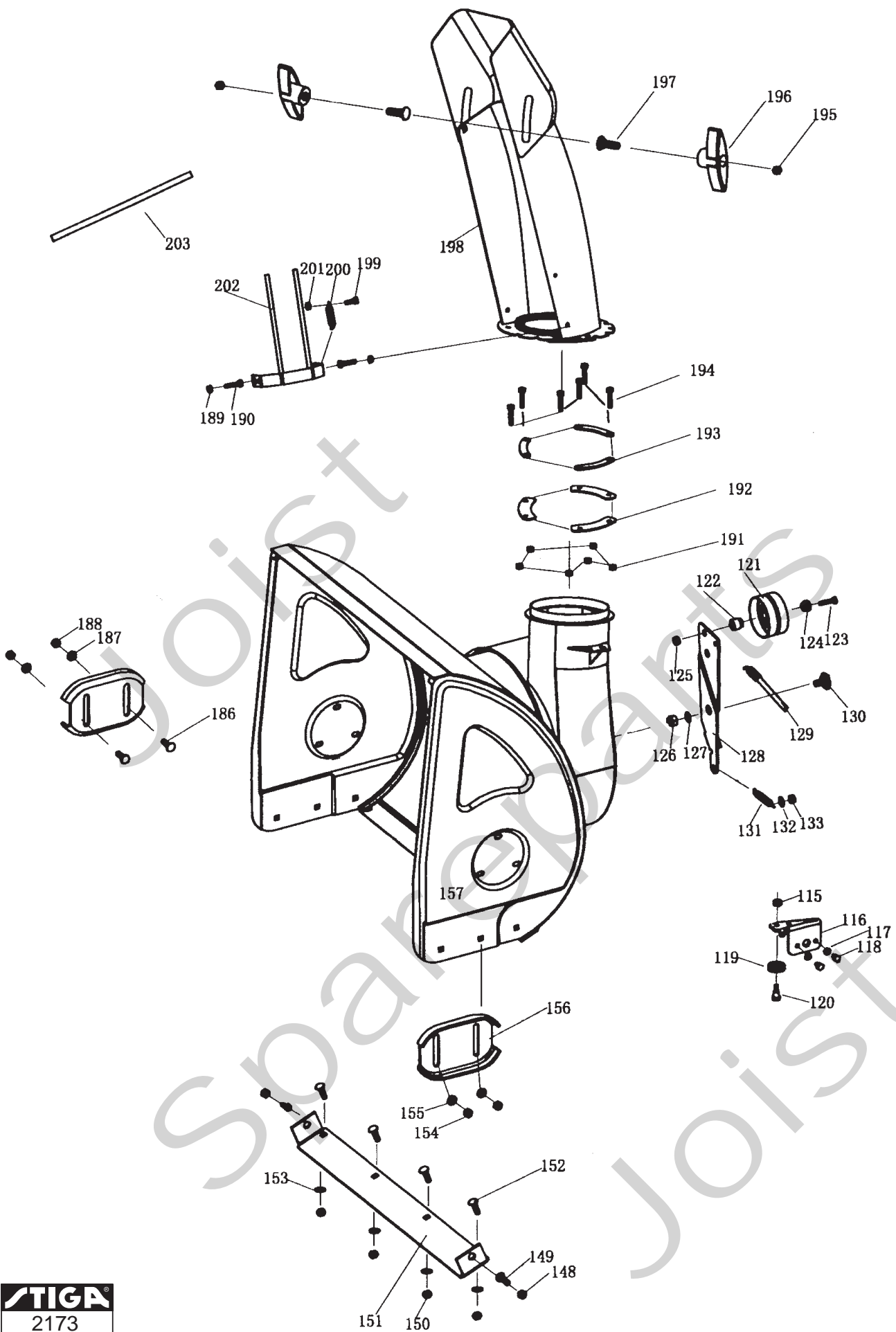
Joist
Spareparts
Joist



| Utgåva Issue | | Bildnr Picture No | | SNOW RISE STYRE | | SNOW RISE HANDLE | | Sida Page | |
|-----------------|----------------|----------------------|--|--------------------|-------------------|--------------------------|-----------------------------|--------------|---------------------|
| 2006- 14 | | 2171 | | | | | | 26 | |
| Pos. Fig. | Antal/Quantity | | | | Art nr Part No | Benämning | Description | Sats Kit | Anmärkning Notes |
| | 2810 -27 | | | | | | | | |
| X | 1 | 1 | | | 1811-2466-01 | Styre..... | Handle..... | | |
| | 2 | 2 | | | 9747-0831-02 | Mutter..... | Lock nut..... | | |
| X | 3 | 2 | | | 1811-2492-01 | Inkopplingshandtag..... | Clutch handle..... | | |
| X | 4 | 2 | | | 1811-2472-01 | Gummiskydd..... | Rubber cap..... | | |
| | 5 | 2 | | | 9997-0840-16 | Skruv..... | Screw..... | | |
| X | 6 | 1 | | | 1811-2495-01 | Panel- gul..... | Panel- yellow..... | | |
| X | 7 | 2 | | | 1811-2400-01 | Skruv..... | Screw..... | | |
| X | 8 | 2 | | | 1811-2458-01 | Justerstång..... | Adjustment rod..... | | |
| | 9 | 2 | | | 9799-0531-02 | Mutter..... | Nut..... | | |
| X | 10 | 1 | | | 1811-2456-01 | Reglagewire..... | Control cable..... | | |
| X | 11 | 2 | | | 1811-2494-01 | Klämma..... | Clamp..... | | |
| X | 12 | 2 | | | 1811-2401-01 | Skruv..... | Screw..... | | |
| | 13 | 1 | | | 9747-0831-02 | Mutter..... | Lock nut..... | | |
| X | 14 | 1 | | | 1811-2459-01 | Reglagewire..... | Control cable..... | | |
| | 15 | 1 | | | 9787-0831-32 | Mutter..... | Nut..... | | |
| X | 16 | 1 | | | 1811-2468-01 | Ögla..... | Eye bolt..... | | |
| X | 17 | 1 | | | 1811-2469-01 | Gummihylsa..... | Rubber sleeve..... | | |
| X | 18 | 1 | | | 1811-2481-01 | Växelspak..... | Gear lever..... | | |
| | 19 | 2 | | | 9739-0631-22 | Mutter..... | Nut..... | | |
| | 20 | 2 | | | 9997-0620-16 | Skruv..... | Screw..... | | |
| | 21 | 1 | | | 9739-0631-22 | Mutter..... | Nut..... | | |
| | 22 | 1 | | | 9997-0620-16 | Skruv..... | Screw..... | | |
| X | 23 | 1 | | | 1811-2482-01 | Växelarm..... | Gear rod..... | | |
| | 24 | 1 | | | 9997-0625-16 | Skruv..... | Screw..... | | |
| | 25 | 4 | | | 9747-0631-02 | Låsmutter..... | Lock nut..... | | |
| | 26 | 4 | | | 9997-0635-12 | Skruv..... | Screw..... | | |
| X | 27 | 1 | | | 1811-2491-01 | Växellägesplåt- gul..... | Gear select plate- yel..... | | |
| | 28 | 2 | | | 9997-0840-16 | Skruv..... | Screw..... | | |
| X | 29 | 2 | | | 1811-2453-01 | Styresbricka..... | Handle washer..... | | |
| | 30 | 2 | | | 9699-0062-02 | Planbricka..... | Flat washer..... | | |
| | 31 | 2 | | | 9997-0820-16 | Skruv..... | Screw..... | | |
| X | 46 | 2 | | | 1811-2476-01 | Ansatsbult..... | Shoulder bolt..... | | |
| X | 47 | 2 | | | 1811-2440-01 | Wirerulle..... | Wire pulley..... | | |
| X | 48 | 1 | | | 1811-2439-01 | Fäste- gul..... | Bracket- yellow..... | | |
| | 49 | 2 | | | 9699-0025-02 | Planbricka..... | Washer..... | | |
| | 50 | 2 | | | 9997-0610-16 | Skruv..... | Screw..... | | |
| | 51 | 2 | | | 9739-0631-22 | Mutter..... | Nut..... | | |
| X | 52 | 1 | | | 1811-2437-01 | Fäste- gul..... | Bracket- yellow..... | | |
| X | 53 | 2 | | | 1811-2440-01 | Wirerulle..... | Wire pulley..... | | |
| | 54 | 2 | | | 9997-0610-16 | Skruv..... | Screw..... | | |
| | 55 | 2 | | | 9699-0025-02 | Planbricka..... | Washer..... | | |
| | 56 | 6 | | | 9747-0831-02 | Mutter..... | Lock nut..... | | |
| | 57 | 6 | | | 9699-0028-02 | Planbricka..... | Flat washer..... | | |
| X | 58 | 1 | | | 1811-2487-01 | Chassi- gul..... | Chassis- yellow..... | | |
| | 63 | 1 | | | 9997-0610-16 | Skruv..... | Screw..... | | |
| | 64 | 1 | | | 9699-0060-02 | Planbricka..... | Flat washer..... | | |
| X | 65 | 1 | | | 1811-2442-01 | Handtag..... | Grip..... | | |
| | 66 | 2 | | | 9997-0610-16 | Skruv..... | Screw..... | | |
| | 67 | 2 | | | 9699-0025-02 | Planbricka..... | Washer..... | | |
| X | 68 | 1 | | | 1811-2486-01 | Bottenplåt- gul..... | Bottom plate- yell..... | | |
| | 69 | 4 | | | 9699-0025-02 | Planbricka..... | Washer..... | | |
| | 70 | 4 | | | 9997-0610-16 | Skruv..... | Screw..... | | |
| X | 141 | 1 | | | 1811-2467-01 | Inställningsvev..... | Crank..... | | |
| X | 142 | 1 | | | 1811-2431-01 | Bussning..... | Bushing..... | | |
| | 143 | 1 | | | 9599-0054-02 | Saxpinne..... | Cotter pin..... | | |
| | 144 | 2 | | | 9898-0820-16 | Skruv..... | Screw..... | | |
| X | 145 | 1 | | | 1811-2430-01 | Fäste- gul..... | Bracket- yellow..... | | |
| | 146 | 2 | | | 9747-0831-02 | Mutter..... | Lock nut..... | | |
| | 147 | 2 | | | 9699-0062-02 | Planbricka..... | Flat washer..... | | |



| Utgåva Issue | | Bildnr Picture No | | SNOW RISE TRANSMISSION | | SNOW RISE TRANSMISSION | | Sida Page | |
|-----------------|----------------|----------------------|--|---------------------------|-------------------|---------------------------|-----------------------------|--------------|---------------------|
| 2006- 14 | | 2172 | | | | | | 28 | |
| Pos. Fig. | Antal/Quantity | | | | Art nr Part No | Benämning | Description | Sats Kit | Anmärkning Notes |
| | 2810 -27 | | | | | | | | |
| X | 32 | 2 | | | 1811-2452-01 | Hjulaxelbussning | Wheel shaft bushing | | |
| X | 33 | 1 | | | 1811-2421-01 | Drev | Gear | | |
| X | 34 | 2 | | | 1811-2406-01 | Kil | Key | | |
| | 35 | 1 | | | 9595-0212-00 | Spännstift | Locating pin | | |
| X | 36 | 1 | | | 1811-2441-01 | Hjulaxel..... | Wheel shaft | | |
| X | 37 | 2 | | | 1811-2478-01 | Fjäderpinne..... | Spring pin | | |
| X | 38 | 4 | | | 1811-2407-01 | Planbricka..... | Flat washer..... | | |
| X | 39 | 2 | | | 1811-2408-01 | Hjul kpl- silver..... | Wheel assy- silver | | |
| X | 40 | 1 | | | 1811-2496-01 | Motor kpl..... | Engine assy..... | | 4.10 - 6 |
| | 41 | 2 | | | 9997-0612-16 | Skruv..... | Screw..... | | |
| | 42 | 2 | | | 9699-0025-02 | Planbricka..... | Washer..... | | |
| X | 43 | 1 | | | 1811-2455-01 | Remskydd | Belt cover | | |
| | 44 | 4 | | | 9747-0831-02 | Mutter..... | Lock nut | | |
| | 45 | 4 | | | 9699-0062-02 | Planbricka..... | Flat washer..... | | |
| | 59 | 4 | | | 9997-0835-12 | Skruv | Screw | | |
| | 60 | 1 | | | 9997-0630-12 | Skruv | Screw | | |
| | 61 | 1 | | | 9997-0620-16 | Skruv | Screw | | |
| | 62 | 3 | | | 9739-0631-22 | Mutter..... | Nut | | |
| | 71 | 1 | | | 9747-0631-02 | Låsmutter | Lock nut | | |
| X | 72 | 1 | | | 1811-2470-01 | Spännarm | Tension arm | | |
| X | 73 | 1 | | | 1811-2471-01 | Spännarmsbricka..... | Washer..... | | |
| | 74 | 1 | | | 9997-0820-16 | Skruv | Screw | | |
| X | 75 | 1 | | | 1811-2460-01 | Fjäder..... | Spring | | |
| X | 76 | 1 | | | 1811-2451-01 | Bricka | Washer | | |
| | 77 | 1 | | | 9997-0620-16 | Skruv | Screw | | |
| | 78 | 2 | | | 9699-0025-02 | Planbricka..... | Washer..... | | |
| X | 79 | 1 | | | 1811-2450-01 | Spännrulle m.lager | Tension roller w.bear | | |
| X | 80 | 1 | | | 1811-2427-01 | Bricka | Washer | | |
| | 81 | 1 | | | 9997-0830-16 | Skruv | Screw | | |
| X | 82 | 1 | | | 1811-2473-01 | Remskiva..... | Belt pulley | | |
| | 83 | 1 | | | 9699-0062-02 | Planbricka..... | Flat washer..... | | |
| | 84 | 1 | | | 9997-0835-12 | Skruv | Screw | | |
| X | 85 | 1 | | | 1811-2474-01 | Remskiva..... | Belt pulley | | |
| X | 86 | 1 | | | 1811-2409-01 | Drivrem | Belt..... | | |
| X | 87 | 1 | | | 1811-2410-01 | Drivrem | Belt..... | | |
| | 88 | 1 | | | 9997-0820-16 | Skruv | Screw | | |
| | 89 | 3 | | | 9699-0056-02 | Planbricka..... | Flat washer..... | | |
| X | 90 | 1 | | | 1811-2411-01 | Lager | Bearing..... | | |
| | 91 | 1 | | | 9595-0212-00 | Spännstift | Locating pin | | |
| X | 92 | 1 | | | 1811-2423-01 | Sexkantsaxel..... | Hex shaft..... | | |
| X | 93 | 1 | | | 1811-2435-01 | Nav | Hub | | |
| | 94 | 3 | | | 9997-0612-16 | Skruv | Screw | | |
| X | 95 | 1 | | | 1811-2436-01 | Friktionsring | Friction ring..... | | |
| X | 96 | 2 | | | 1811-2433-01 | Friktionshjul..... | Friction wheel..... | | |
| | 97 | 3 | | | 9997-0612-16 | Skruv | Screw | | |
| X | 98 | 1 | | | 1811-2434-01 | Växelförare | Gear selector hub..... | | |
| X | 99 | 1 | | | 1811-2412-01 | Låsring | Lock ring..... | | |
| X | 100 | 1 | | | 1811-2413-01 | Lager | Bearing..... | | |
| | 101 | 1 | | | 9699-0035-02 | Planbricka..... | Flat washer..... | | |
| | 102 | 1 | | | 9747-1031-02 | Låsmutter | Lock nut | | |
| X | 103 | 1 | | | 1811-2420-01 | Fäste | Bracket..... | | |
| | 104 | 2 | | | 9997-0610-16 | Skruv | Screw | | |
| X | 105 | 1 | | | 1811-2465-01 | Växelförararm..... | Gear lever..... | | |
| X | 106 | 1 | | | 1811-2428-01 | Drivskiva..... | Drive pulley | | |
| X | 107 | 1 | | | 1811-2429-01 | Axeltapp..... | Shaft | | |
| X | 108 | 2 | | | 1811-2414-01 | Lager | Bearing..... | | |
| X | 109 | 1 | | | 1811-2424-01 | Fäste- drivskiva..... | Bracket- drive pulley..... | | |
| | 110 | 1 | | | 9599-0054-02 | Saxpinne..... | Cotter pin | | |
| | 111 | 1 | | | 9747-1031-02 | Låsmutter | Lock nut | | |
| X | 112 | 1 | | | 1811-2483-01 | Fjäder..... | Spring | | |
| X | 113 | 1 | | | 1811-2489-01 | Hylsa | Collar | | |
| | 114 | 1 | | | 9699-0038-02 | Planbricka..... | Flat washer..... | | |



| Utgåva Issue | | Bildnr Picture No | | SNOW RISE INMATNINGSHUS | | SNOW RISE AUGER HOUSING | | Sida Page | |
|-----------------|----------------|----------------------|--|----------------------------|-------------------|----------------------------|-----------------------------|--------------|---------------------|
| 2006- 14 | | 2173 | | | | | | 30 | |
| Pos. Fig. | Antal/Quantity | | | | Art nr Part No | Benämning | Description | Sats Kit | Anmärkning Notes |
| | 2810 -27 | | | | | | | | |
| X | 115 | 1 | | | 9747-0631-02 | Låsmutter | Lock nut | | |
| | 116 | 1 | | | 1811-2438-01 | Fäste- gul | Bracket- yellow | | |
| | 117 | 2 | | | 9699-0025-02 | Planbricka | Washer | | |
| | 118 | 2 | | | 9997-0610-16 | Skruv | Screw | | |
| X | 119 | 1 | | | 1811-2440-01 | Wirerulle | Wire pulley | | |
| X | 120 | 1 | | | 1811-2476-01 | Ansatsbult | Shoulder bolt | | |
| X | 121 | 1 | | | 1811-2425-01 | Spännrulle m.lager | Tension roller w.bear | | |
| X | 122 | 1 | | | 1811-2426-01 | Distans | Spacer | | |
| | 123 | 1 | | | 9997-0840-16 | Skruv | Screw | | |
| X | 124 | 1 | | | 1811-2427-01 | Bricka | Washer | | |
| | 125 | 1 | | | 9747-0831-02 | Mutter | Lock nut | | |
| | 126 | 1 | | | 9747-1031-02 | Låsmutter | Lock nut | | |
| | 127 | 1 | | | 9699-0035-02 | Planbricka | Flat washer | | |
| X | 128 | 1 | | | 1811-2448-01 | Spännarm | Tension arm | | |
| X | 129 | 1 | | | 1811-2457-01 | Fjäder | Spring | | |
| X | 130 | 1 | | | 1811-2475-01 | Skruv | Screw | | |
| X | 131 | 1 | | | 1811-2462-01 | Fjäder | Spring | | |
| | 132 | 1 | | | 9699-0028-02 | Planbricka | Flat washer | | |
| | 133 | 1 | | | 9747-0831-02 | Mutter | Lock nut | | |
| | 148 | 2 | | | 9747-0831-02 | Mutter | Lock nut | | |
| | 149 | 2 | | | 9898-0820-16 | Skruv | Screw | | |
| | 150 | 4 | | | 9747-0831-02 | Mutter | Lock nut | | |
| X | 151 | 1 | | | 1811-2497-01 | Skrapskär- svart | Scraper blade- black | | |
| | 152 | 4 | | | 9898-0820-16 | Skruv | Screw | | |
| | 153 | 4 | | | 9699-0062-02 | Planbricka | Flat washer | | |
| | 154 | 2 | | | 9747-0831-02 | Mutter | Lock nut | | |
| | 155 | 2 | | | 9699-0062-02 | Planbricka | Flat washer | | |
| X | 156 | 2 | | | 1811-2493-01 | Släpsko- svart | Skid shoe- black | | |
| X | 157 | 1 | | | 1811-2488-01 | Snöskruvhus- gul | Auger housing- yellow | | |
| | 186 | 2 | | | 9898-0820-16 | Skruv | Screw | | |
| | 187 | 2 | | | 9699-0062-02 | Planbricka | Flat washer | | |
| | 188 | 2 | | | 9747-0831-02 | Mutter | Lock nut | | |
| | 189 | 2 | | | 9747-0631-02 | Låsmutter | Lock nut | | |
| | 190 | 2 | | | 9997-0620-16 | Skruv | Screw | | |
| | 191 | 6 | | | 9747-0631-02 | Låsmutter | Lock nut | | |
| X | 192 | 3 | | | 1811-2445-01 | Flänsbricka | Chute washer | | |
| X | 193 | 3 | | | 1811-2446-01 | Packning | Chute gasket | | |
| | 194 | 6 | | | 9997-0620-16 | Skruv | Screw | | |
| | 195 | 2 | | | 9747-0831-02 | Mutter | Lock nut | | |
| X | 196 | 2 | | | 1811-2498-01 | Lås ratt | Locking knob | | |
| | 197 | 2 | | | 9898-0820-16 | Skruv | Screw | | |
| X | 198 | 1 | | | 1811-2499-01 | Utkaströr | Chute | | |
| | 199 | 1 | | | 9997-0620-16 | Skruv | Screw | | |
| X | 200 | 1 | | | 1811-2461-01 | Fjäder | Spring | | |
| | 201 | 1 | | | 9747-0631-02 | Låsmutter | Lock nut | | |
| X | 202 | 1 | | | 1811-2432-01 | Utkastskydd | Chute guard | | |
| X | 203 | 1 | | | 1811-2500-01 | Rensdon | Cleaner stick | | |



| Utgåva Issue | | Bildnr Picture No | | SNOW RISE SNÖSKRUV | | SNOW RISE AUGER | | Sida Page | |
|-----------------|----------------|----------------------|--|-----------------------|-------------------|------------------------|-----------------------|--------------|---------------------|
| 2006- 14 | | 2174 | | | | | | 32 | |
| Pos. Fig. | Antal/Quantity | | | | Art nr Part No | Benämning | Description | Sats Kit | Anmärkning Notes |
| | 2810 -27 | | | | | | | | |
| | 134 | 1 | | | 9997-0820-16 | Skruv..... | Screw..... | | |
| | 135 | 1 | | | 9699-0056-02 | Planbricka..... | Flat washer..... | | |
| X | 136 | 1 | | | 1811-2464-01 | Remskiva..... | Belt pulley..... | | |
| | 137 | 3 | | | 9747-0831-02 | Mutter..... | Lock nut..... | | |
| X | 138 | 1 | | | 1811-2422-01 | Lagerskål..... | Bearing cover..... | | |
| | 139 | 1 | | | 9600-0170-00 | Plattkil..... | Flat key..... | | |
| X | 140 | 1 | | | 1811-2415-01 | Lager..... | Bearing..... | | |
| X | 158 | 1 | | | 1811-2447-01 | Snöskruvaxel..... | Auger shaft..... | | |
| X | 159 | 1 | | | 1811-2416-01 | Kil..... | Key..... | | |
| | 160 | 2 | | | 9747-0831-02 | • Mutter..... | • Lock nut..... | | |
| X | 161 | 1 | | | 1811-9012-01 | Brytbultsats..... | Shear bolt kit..... | | Inkl. pos 160 |
| X | 162 | 1 | | | 1811-2480-01 | Snöskruv- vä..... | Auger- LH..... | | |
| X | 163 | 1 | | | 1811-2443-01 | Axelbussning..... | Shaft bushing..... | | |
| X | 164 | 2 | | | 1811-2418-01 | Planbricka..... | Flat washer..... | | |
| X | 165 | 2 | | | 1811-2444-01 | Axelbussning..... | Shaft bushing..... | | |
| X | 166 | 2 | | | 1811-2449-01 | Lagerfäste..... | Bearing cover..... | | |
| | 167 | 6 | | | 9699-0028-02 | Planbricka..... | Flat washer..... | | |
| | 168 | 6 | | | 9997-0812-16 | Skruv..... | Screw..... | | |
| X | 169 | 1 | | | 1811-2479-01 | Snöskruv- hö..... | Auger- RH..... | | |
| | 170 | 7 | | | 9997-0620-16 | Skruv..... | Screw..... | | |
| | 171 | 7 | | | 9683-0025-02 | Låsbricka..... | Lock washer..... | | |
| | 172 | 7 | | | 9699-0025-02 | Planbricka..... | Washer..... | | |
| X | 173 | 1 | | | 1811-2463-01 | Snäckdrev..... | Worm wheel..... | | |
| X | 174 | 1 | | | 1811-2484-01 | Snäckväxelhus- vä..... | Gear housing- LH..... | | |
| X | 175 | 1 | | | 1811-2490-01 | Bussning..... | Bushing..... | | |
| X | 176 | 3 | | | 1811-2443-01 | Axelbussning..... | Shaft bushing..... | | |
| X | 177 | 1 | | | 1811-2485-01 | Snäckväxelhus- hö..... | Gear housing- RH..... | | |
| X | 178 | 1 | | | 1811-2402-01 | Lager..... | Bearing..... | | |
| X | 179 | 1 | | | 1811-2454-01 | Fläktaxel..... | Fan shaft..... | | |
| X | 180 | 1 | | | 1811-2403-01 | Lager..... | Bearing..... | | |
| X | 181 | 1 | | | 1811-2404-01 | Trycklager..... | Thrust bearing..... | | |
| X | 182 | 1 | | | 1811-2405-01 | Tätningring..... | Seal ring..... | | |
| | 183 | 2 | | | 9595-0262-00 | Spännstift..... | Locating pin..... | | |
| X | 184 | 1 | | | 1811-2477-01 | Bricka..... | Washer..... | | |
| X | 185 | 1 | | | 1811-2419-01 | Fläkt..... | Fan..... | | |