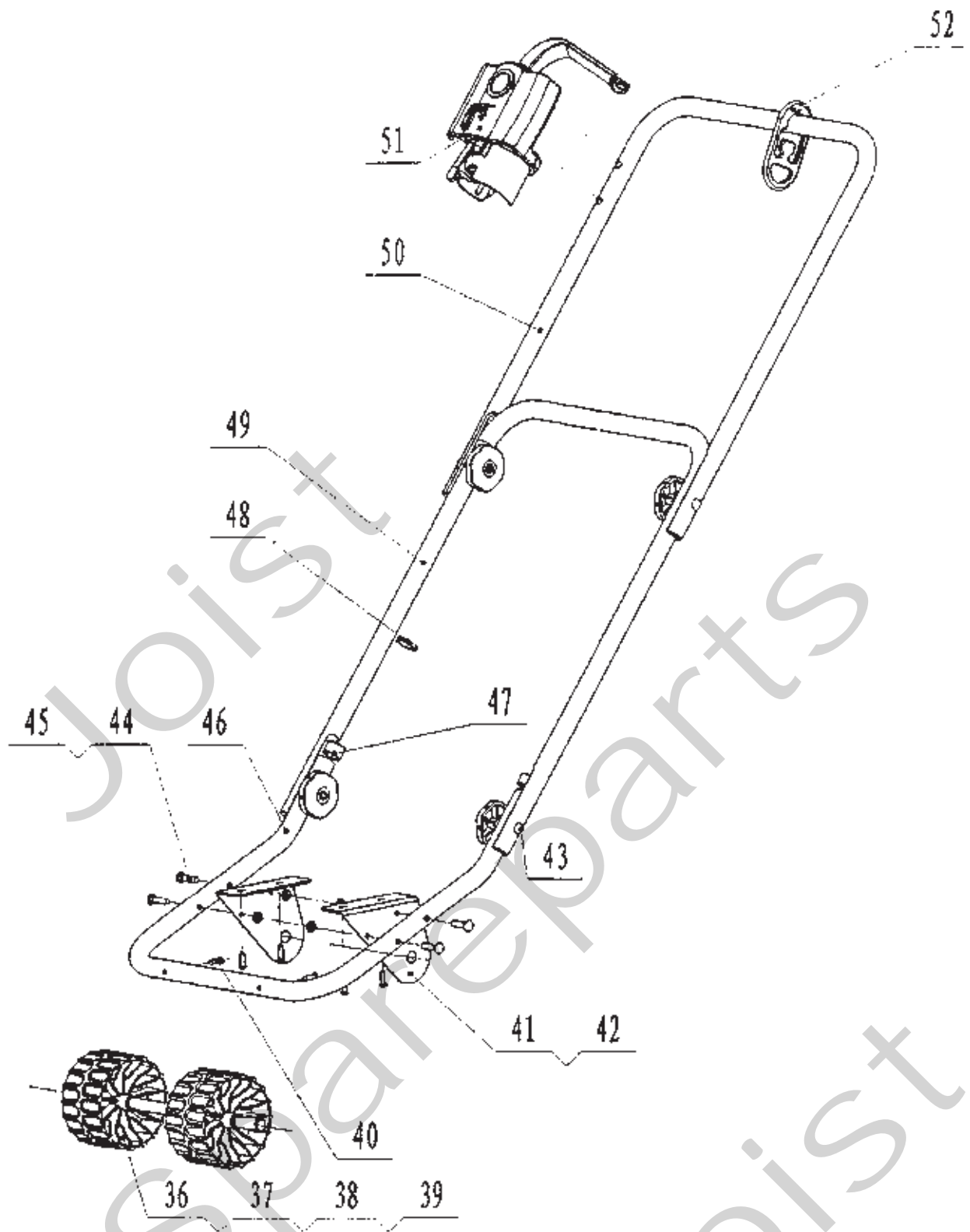


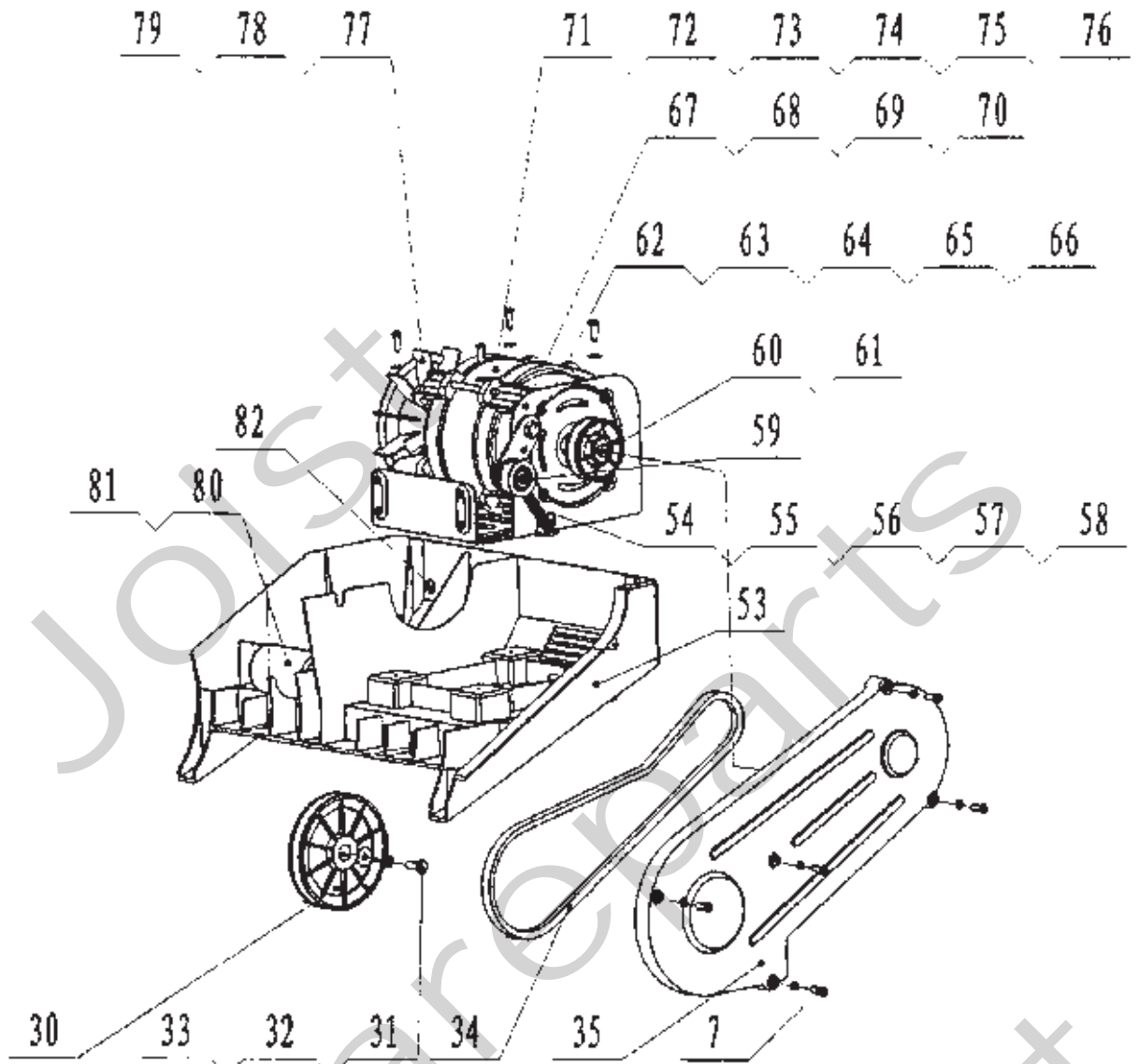
Genuine Spare Parts



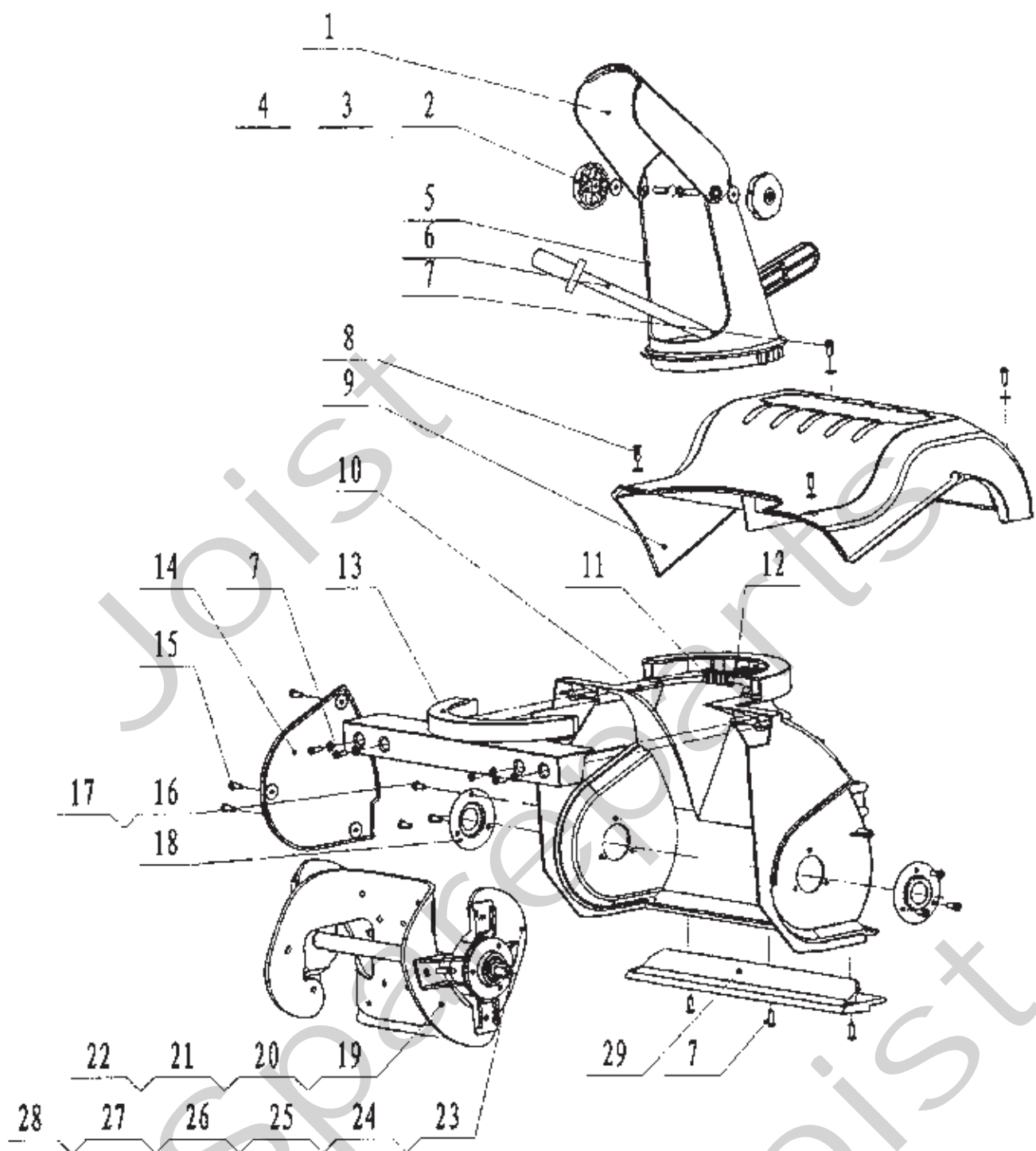
Spareparts
Joist



Utgåva Issue		Bildnr Picture No		SNOW ELECTRIC STYRE		SNOW ELECTRIC HANDLE		Sida Page	
2006-14		2168						2	
Pos. Fig.	Antal/Quantity				Art nr Part No	Benämning	Description	Sats Kit	Anmärkning Notes
	2807 -27								
X	36	2			1811-2326-01	Hjul.....	Wheel.....		
X	37	1			1811-2344-01	Hjulaxel.....	Wheel shaft.....		
	38	6			9650-0012-04	Seegersäkring.....	Circlip.....		
	39	6			9699-0115-02	Bricka.....	Washer.....		
	40	2			9849-8032-16	Skruv.....	Screw.....		
X	41	1			1811-2330-01	Hjulplåt- vä.....	Wheel plate- LH.....		
X	42	1			1811-2331-01	Hjulplåt- hö.....	Wheel plate- RH.....		
	42	4			9699-0024-02	Planbricka.....	Flat washer.....		För d:o
	42	4			9849-8016-16	Skruv.....	Screw.....		För d:o
X	43	4			1811-2317-01	Lås ratt.....	Locking knob.....		
	43	4			9898-0635-12	Skruv.....	Screw.....		
	44	4			9997-0535-12	Skruv.....	Screw.....		
	45	4			9747-0531-02	Mutter.....	Nut.....		
X	46	1			1811-2335-01	Styre- underdel.....	Handle- lower.....		
X	47	4			1716-0019-01	Plugg.....	Cap.....		
X	48	2			1716-0031-01	Kabelhållare.....	Cable clamp.....		
X	49	1			1811-2334-01	Styre- mellandel.....	Handle- middle.....		
X	50	1			1811-2333-01	Styre- överdel.....	Handle- upper.....		
X	51	1			1811-2349-01	Brytare.....	Switch.....		
	51	2			9847-8019-16	Skruv.....	Screw.....		För d:o
X	52	1			1716-0024-01	Dragavlastare- gul.....	Cord restrainer- yello.....		



Utgåva Issue		Bildnr Picture No		SNOW ELECTRIC TRANSMISSION	SNOW ELECTRIC TRANSMISSION	Sida Page			
2006- 14		2169				4			
Pos. Fig.	Antal/Quantity				Art nr Part No	Benämning	Description	Sats Kit	Anmärkning Notes
	2807 -27								
X	7	5			1811-2301-01	Skruv.....	Screw.....		
X	30	1			1811-2322-01	Remskiva.....	Drive wheel.....		
	31	2			9948-0616-16	Skruv.....	Screw.....		
	32	2			9699-0060-02	Planbricka.....	Flat washer.....		
	33	2			9683-0025-02	Låsbricka.....	Lock washer.....		
X	34	1			1811-2307-01	Drivrem.....	Belt.....		
X	35	1			1811-2323-01	Remskydd.....	Belt cover.....		
X	53	1			1811-2314-01	Chassi.....	Chassis.....		
X	54	1			1811-2339-01	Fjäder- spännarm.....	Spring- tension arm.....		
X	55	1			1811-2338-01	Spännrullaxel.....	Tension roller shaft.....		
X	56	2			1811-2300-01	Kullager.....	Ball bearing.....		
X	57	1			1811-2325-01	Spännrulle.....	Tension roller.....		
X	58	1			1811-2350-01	Låsring.....	Snap ring.....		
	59	1			9699-0028-02	Planbricka.....	Flat washer.....		
X	60	1			1811-2324-01	Remskiva- motor.....	Main drive wheel.....		
	61	1			9683-0030-02	Låsbricka.....	Lock washer.....		
	62	1			9799-0831-02	Mutter.....	Nut.....		
X	63	1			1811-2341-01	Spännarm.....	Tension arm.....		
X	64	1			1811-2302-01	Ansatsbult.....	Shoulder bolt.....		
	65	3			9683-0025-02	Låsbricka.....	Lock washer.....		
	66	1			9699-0028-02	Planbricka.....	Flat washer.....		
	67	1			9747-0631-02	Låsmutter.....	Lock nut.....		
X	68	1			1811-2340-01	Motorplatta.....	Motor base.....		
X	69	1			1811-2345-01	Motorgavel- främre.....	End plate- front.....		
X	70	1			1811-2346-01	Motorgavel- bakre.....	End plate- rear.....		
X	71	4			1811-2351-01	Bult.....	Bolt.....		
X	72	1			1811-2329-01	Stator.....	Stator.....		
X	73	1			1811-2328-01	Rotor.....	Rotor.....		
	74	2			9549-0019-00	Kullager.....	Ball bearing.....		
X	75	1			1811-2304-01	Packning.....	Wave gasket.....		
	76	2			9997-0625-16	Skruv.....	Screw.....		
X	77	1			1811-2309-01	Fläkt.....	Fan.....		
	78	1			9650-0015-04	Låsring.....	Lock ring.....		
X	79	1			1811-2305-01	Kondensator.....	Capacitor.....		
	80	1			9683-0030-02	Låsbricka.....	Lock washer.....		
	80	1			9799-0831-02	Mutter.....	Nut.....		
X	81	1			1716-0014-01	Kabelklämma.....	Cable clip.....		
	81	2			9836-9216-12	Skruv.....	Screw.....		
X	82	1			1811-2306-01	Gummihylsa.....	Rubber grommet.....		



Utgåva Issue		Bildnr Picture No		SNOW ELECTRIC SNÖSKRUV		SNOW ELECTRIC AUGER		Sida Page	
2006-14		2170						6	
Pos. Fig.	Antal/Quantity				Art nr Part No	Benämning	Description	Sats Kit	Anmärkning Notes
	2807 -27								
X	1	1			1811-2310-01	Utkastskärm	Upper outlet		
	2	2			9699-0060-02	Planbricka.....	Flat washer.....		
	3	2			9898-0635-12	Skruv	Screw.....		
X	4	2			1811-2317-01	Låsratt	Locking knob		
X	5	1			1811-2311-01	Utkaströr	Lower outlet.....		
X	6	1			1811-2352-01	Rensdon	Cleaner stick		
X	7	9			1811-2301-01	Skruv	Screw.....		
	8	4			9847-8016-16	Skruv	Screw.....		
X	9	1			1811-2315-01	Lock- gul.....	Cover- yellow		
X	10	1			1811-2312-01	Inmatningshus- gul.....	Snow channel- yellow		
X	11	1			1811-2316-01	Spärr	Block		
X	12	2			1811-2332-01	Fjäder.....	Spring		
X	13	1			1811-2318-01	Krage- gul	Cuff- yellow		
X	14	1			1811-2319-01	Skydd- gul	Side cocer- yellow		
	15	3			9847-7913-16	Skruv	Screw.....		
	16	6			9950-0510-16	Skruv	Screw.....		
	17	6			9699-0024-02	Planbricka.....	Flat washer.....		
X	18	2			1811-2337-01	Lagerskål- yttre.....	Bearing cover- outer.....		
	19	2			9549-0044-00	Kullager	Ball bearing		
X	20	2			1811-2343-01	Lagerskål- inre	Bearing cover- inner.....		
X	21	1			1811-2320-01	Snöskruvfäste- vä	Propeller brkt- LH.....		
X	22	1			1811-2321-01	Snöskruvfäste- hö.....	Propeller brkt- RH.....		
	23	16			9948-0616-16	Skruv	Screw.....		
	24	16			9747-0631-02	Låsmutter	Lock nut.....		
X	25	2			1811-2308-01	Kil	Key		
X	26	2			1811-2342-01	Gummipaddel	Rubber wheel		
X	27	1			1811-2336-01	Snöskruvaxel	Propeller shaft.....		
	28	4			9650-0017-04	Låsring	Retaining ring		
X	29	1			1811-2313-01	Skrapskär- gul	Spading board- yellow.....		