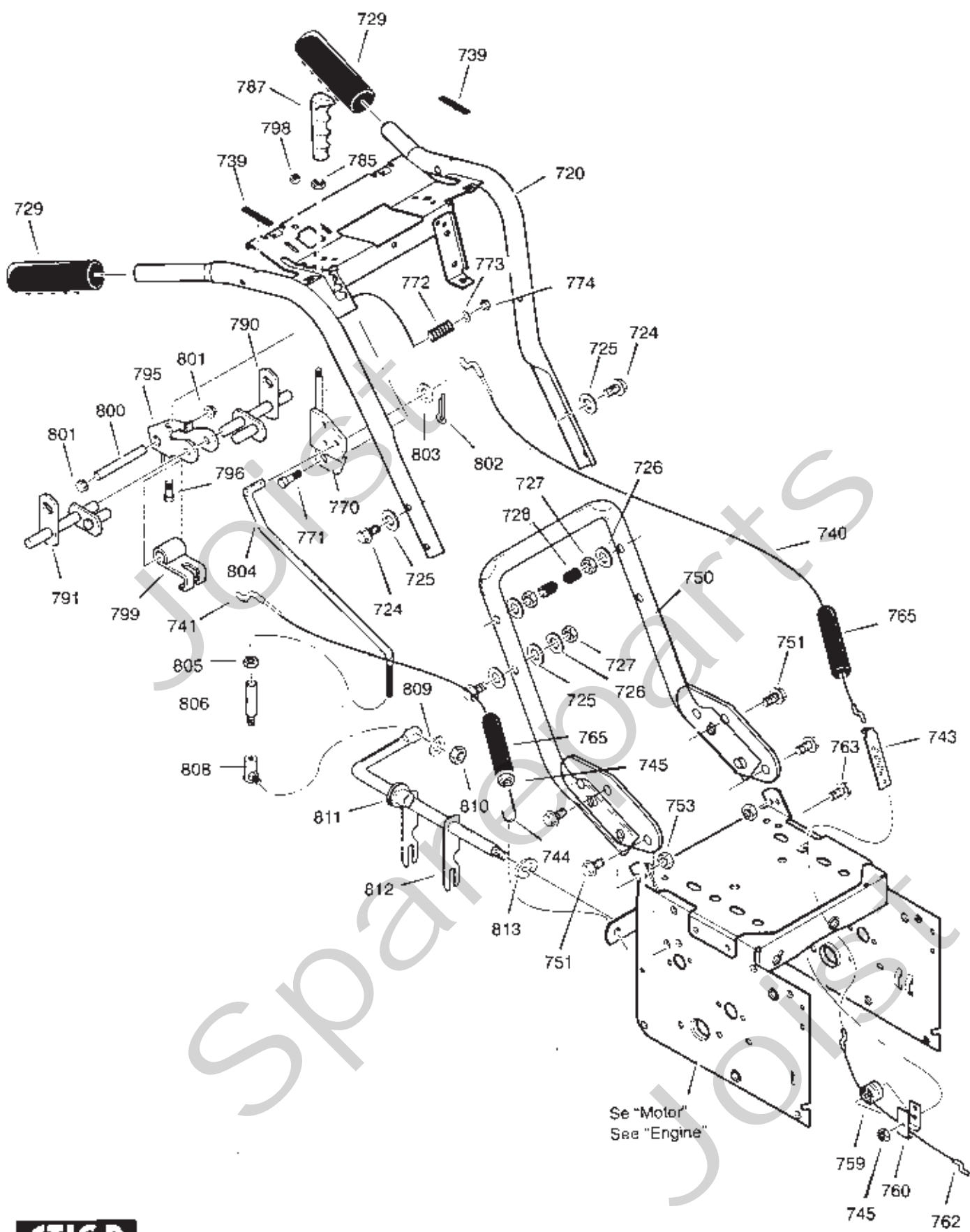


# Genuine Spare Parts

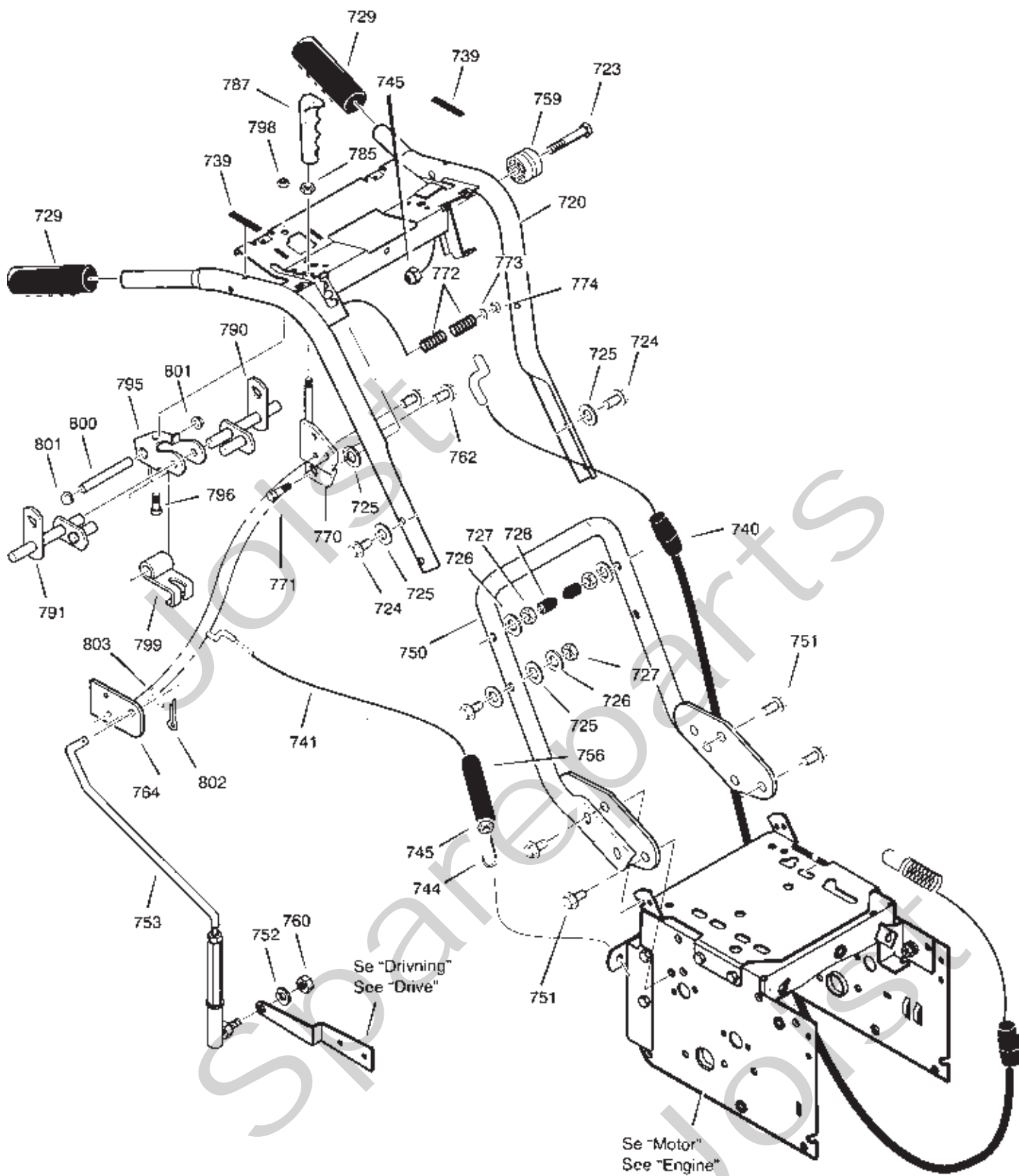
---



Joist  
Spareparts  
Joist

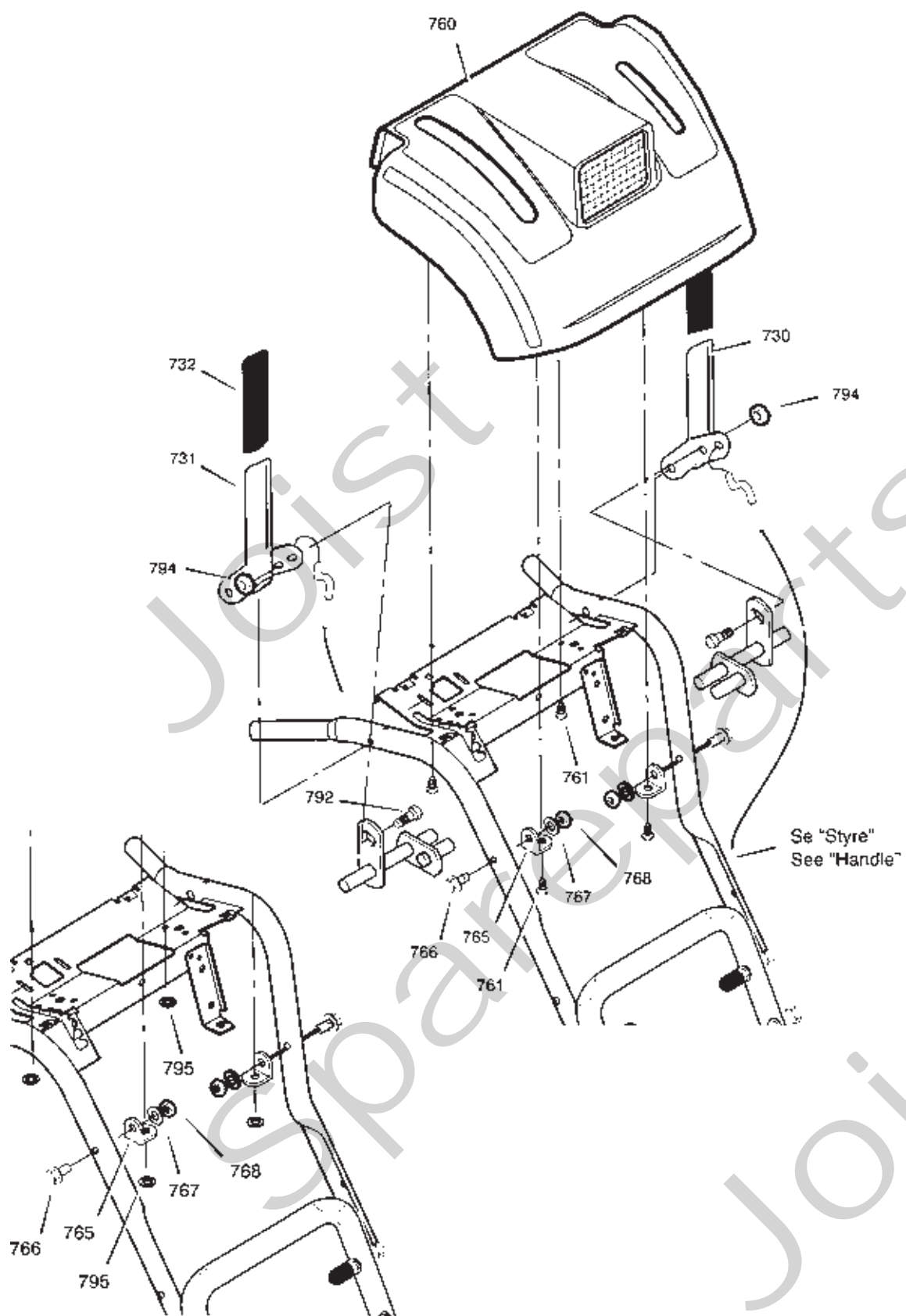


Utgåva Issue		Bildnr Picture No		1074 POWER STYRE	1074 POWER HANDLE	Sida Page		
2004-14		1525B				78		
Pos. Fig.	Antal/Quantity			Art nr Part No	Benämning	Description	Sats Kit	Anmärkning Notes
	2841							
720	1			1812-1812-01	Styre-överdel .....	Handle-upper .....		
724	4			9988-3764-12	Skruv .....	Screw .....		
725	6			9699-0035-02	Planbricka .....	Flat washer .....		
726	4			9683-0035-02	Låsbricka .....	Lock washer .....		
727	4			9795-3731-02	Mutter .....	Nut .....		
728	2			1812-0830-01	Plastknopp .....	Plastic stop .....		
729	2			1812-1775-01	Handtag .....	Handle grip .....		
739	2			1812-0520-01	Skydd .....	Protection .....		
740	1			1812-1861-01	Kopplingswire .....	Clutch cable .....		
741	1			1812-1819-01	Reglagewire .....	Auger cable .....		
743	1			1133-0977-01	Wirefäste .....	Cable adjust bracket .....		
744	1			1812-0254-01	Fjäder .....	Spring .....		
745	2			1812-1760-01	Mutter .....	Nut .....		
750	1			1812-1818-01	Styre-underdel .....	Handle-lower .....		
751	4			1812-1833-01	Skruv .....	Screw .....		
753	2			1812-1759-01	Mutter .....	Nut .....		
759	1			1812-1205-01	Spole .....	Spool .....		
760	1			1812-1702-01	Fäste .....	Bracket .....		
762	1			1812-1727-01	Reglagewire-nedre .....	Drive cable-lower .....		
763	1			1812-1772-01	Skruv .....	Screw .....		
765	2			1133-0968-01	Wirehylsa .....	Clutch spring boot .....		
770	1			1812-1865-01	Växelspak .....	Shift lever .....		
771	1			9988-3745-12	Skruv .....	Screw .....		
772	1			1812-0304-01	Fjäder .....	Spring .....		
773	1			9699-0035-02	Planbricka .....	Flat washer .....		
774	1			9743-3721-32	Mutter .....	Nut .....		
785	1			9743-3721-32	Mutter .....	Nut .....		
787	1			1133-0650-01	Handtag .....	Handle .....		
790	1			1812-1414-01	Spärrstång-vä .....	Bail rod-L.H. ....		
791	1			1812-1188-01	Spärrstång-hö .....	Bail rod-R.H. ....		
795	1			1812-1593-01	Fäste .....	Cam retainer bracket .....		
796	1			1812-1765-01	Skruv .....	Screw .....		
798	1			9743-3621-32	Mutter .....	Nut .....		
799	1			1812-0834-01	Låsfjäder .....	Cam lock spring .....		
800	1			1812-1280-01	Sprint .....	Pin latch .....		
801	2			1812-1483-01	Låsning .....	Retainer .....		
802	1			9599-0036-02	Saxsprint .....	Split pin .....		
803	1			9699-0029-02	Planbricka .....	Flat washer .....		
X 804	1			1812-1945-01	Reglagestång .....	Control rod .....		
805	1			9794-5131-02	Mutter .....	Nut .....		
806	1			1812-0622-01	Skruvhylsa .....	Adaptor .....		
808	1			1812-0627-01	Kulled .....	Ball joint .....		
809	1			9683-0030-02	Låsbricka .....	Lock washer .....		
810	1			9794-5131-02	Mutter .....	Nut .....		
811	1			1812-1219-01	Plastbussning .....	Plastic bushing .....		
812	1			1812-1720-01	Växelarm .....	Yoke rod .....		
813	1			1812-1672-01	Låsring .....	Retainer ring .....		
X 998	1			8218-2217-02	Bruksanvisning .....	Owner's manual .....		Ej ill/not ill.
999	1			1812-1875-01	Tbh-påse .....	Parts bag .....		Ej ill/not ill.

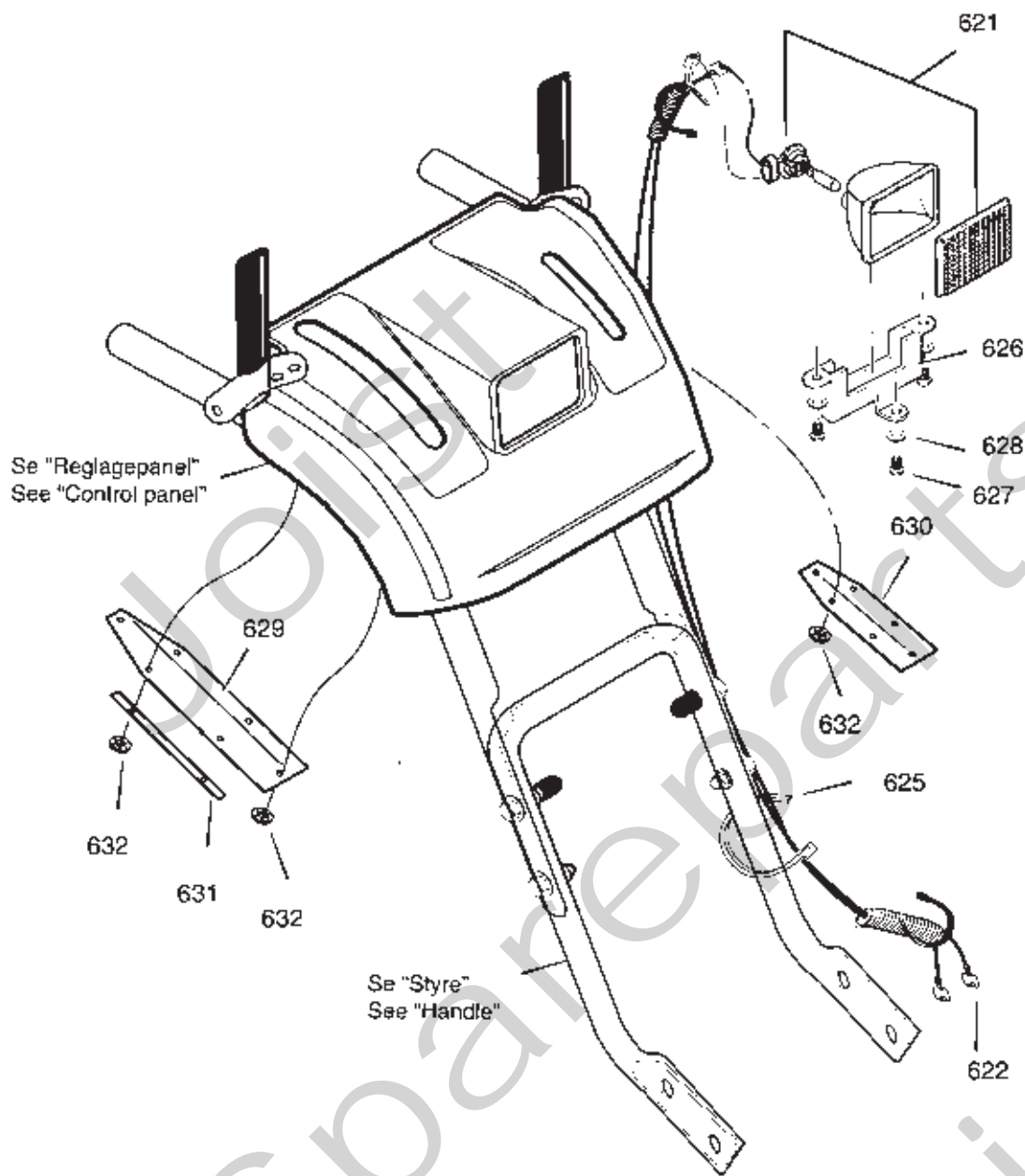


Utgåva Issue		Bildnr Picture No		1174 HST STYRE		1174 HST HANDLE		Sida Page	
2004-14		1524A						80	
Pos. Fig.	Antal/Quantity			Art nr Part No	Benämning	Description	Sats Kit	Anmärkning Notes	
	2946								
720	1			1812-1813-01	Styre-överdel .....	Handle-upper .....			
723	1			9988-3532-12	Skruv .....	Screw .....			
724	4			9988-3764-12	Skruv .....	Screw .....			
725	7			9699-0035-02	Planbricka .....	Flat washer .....			
726	4			9683-0035-02	Låsbricka .....	Lock washer .....			
727	4			9795-3731-02	Mutter .....	Nut .....			
728	2			1812-0830-01	Plastknopp .....	Plastic stop .....			
729	2			1812-1775-01	Handtag .....	Handle grip .....			
739	2			1812-0520-01	Skydd .....	Protection .....			
740	1			1812-1804-01	Reglagewire .....	Drive cable .....			
741	1			1812-1819-01	Reglagewire .....	Auger cable .....			
744	1			1812-0254-01	Fjäder .....	Spring .....			
745	2			1812-1757-01	Mutter .....	Nut .....			
750	1			1812-1818-01	Styre-underdel .....	Handle-lower .....			
751	4			1812-1833-01	Skruv .....	Screw .....			
752	1			9683-0030-02	Låsbricka .....	Lock washer .....			
753	1			1812-1823-01	Reglagestång .....	Drive rod .....			
756	1			1133-0968-01	Wirehylsa .....	Clutch spring boot .....			
759	1			1812-1205-01	Spöle .....	Spool .....			
760	1			9794-5131-02	Mutter .....	Nut .....			
762	2			9988-3516-16	Skruv .....	Screw .....			
764	1			1812-1807-01	Fäste .....	Control bracket .....			
770	1			1812-1811-01	Växelspak .....	Shift bracket .....			
771	1			9988-3764-12	Skruv .....	Screw .....			
772	2			1812-0304-01	Fjäder .....	Spring .....			
773	1			9699-0035-02	Planbricka .....	Flat washer .....			
774	1			9743-3721-32	Mutter .....	Nut .....			
785	1			9743-3721-32	Mutter .....	Nut .....			
787	1			1133-0650-01	Handtag .....	Handle .....			
790	1			1812-1414-01	Spärrstång-vä .....	Bail rod-L.H. ....			
791	1			1812-1413-01	Spärrstång-hö .....	Rod-R.H. ....			
795	1			1812-1593-01	Fäste .....	Cam retainer bracket .....			
796	1			1812-1765-01	Skruv .....	Screw .....			
798	1			9743-3621-32	Mutter .....	Nut .....			
799	1			1812-0834-01	Låsfjäder .....	Cam lock spring .....			
800	1			1812-1280-01	Sprint .....	Pin latch .....			
801	2			1812-1483-01	Låsning .....	Retainer .....			
802	1			9599-0036-02	Saxsprint .....	Split pin .....			
803	1			9699-0029-02	Planbricka .....	Flat washer .....			
998	1			8218-2217-02	Bruksanvisning .....	Owner's manual .....		Ej ill/not ill.	
999	1			1812-1875-01	Tbh-påse .....	Parts bag .....		Ej ill/not ill.	

X

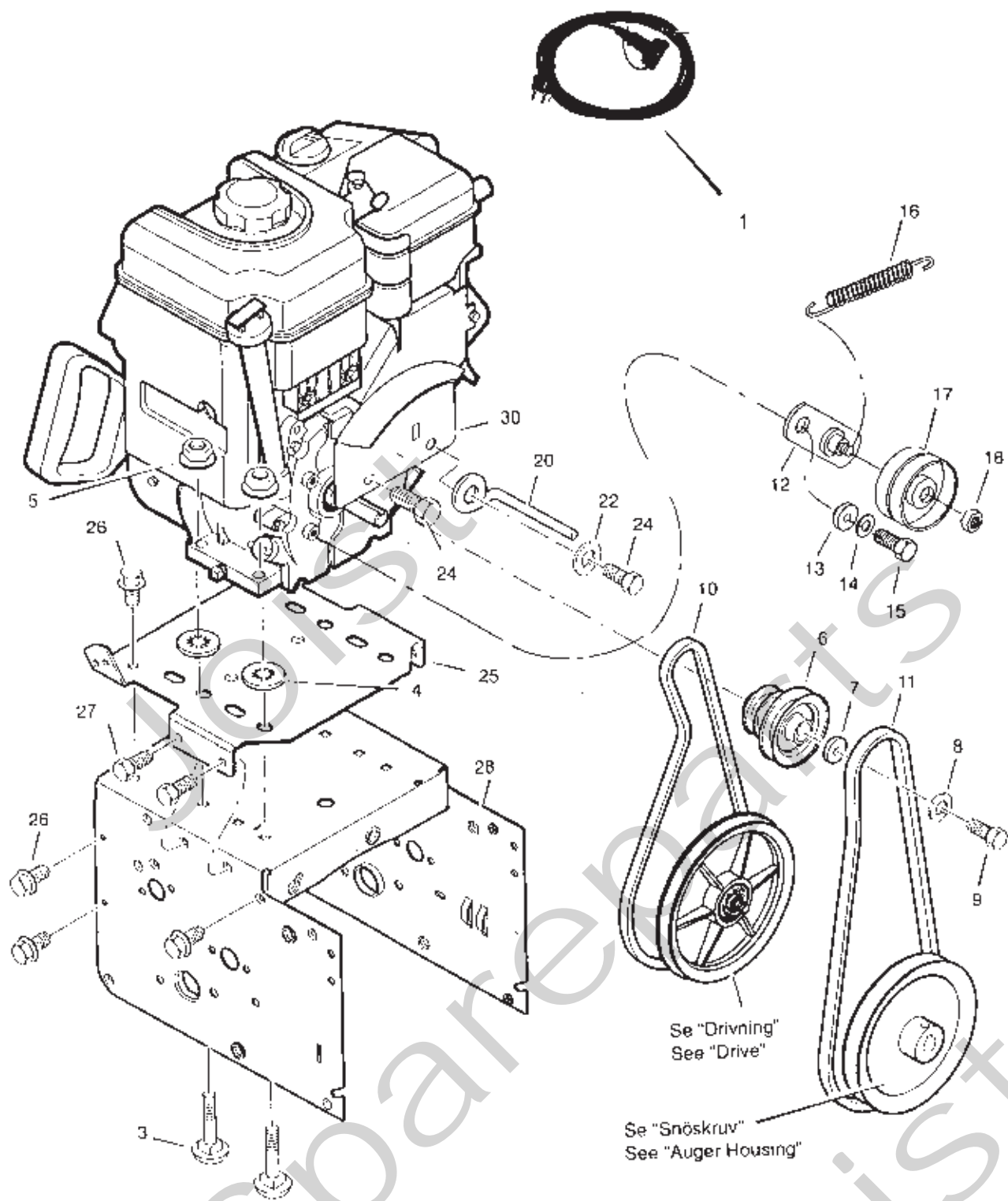


Utgåva Issue		Bildnr Picture No		1074 POWER 1174 HST REGLAGEPANEL		1074 POWER 1174 HST CONTROL PANEL		Sida Page	
2004-14		1526B						82	
Pos. -Fig.	Antal Quantity		Art nr Part No	Benämning	Description	Sals Kil	Anmärkning Notes		
	2841	2846							
730	1	1	1812-1802-01	Kopplingshandtag-vä.....	Clutch handle-LH.....				
731	1	1	1812-1801-01	Kopplingshandtag-hö.....	Clutch handle-RH.....				
732	2	2	1812-1774-01	Handtag.....	Grip.....				
760		1	1812-1796-01	Reglagepanel.....	Control panel.....				
X 760	1		1812-1985-01	Reglagepanel.....	Control panel.....				
761	4		1812-1394-01	Skruv.....	Screw.....				
765	2	2	1812-1186-01	Panelläste.....	Panel bracket.....				
766	2	2	9988-3645-16	Skruv.....	Screw.....				
767	2	2	9683-0030-02	Låsbricka.....	Lock washer.....				
768	2	2	1812-1759-01	Mutter.....	Nut.....				
792	2	2	9988-3513-16	Skruv.....	Screw.....				
794	2	2	9795-3531-02	Mutter.....	Nut.....				
795		4	1812-1769-01	Låsning.....	Push nut.....				





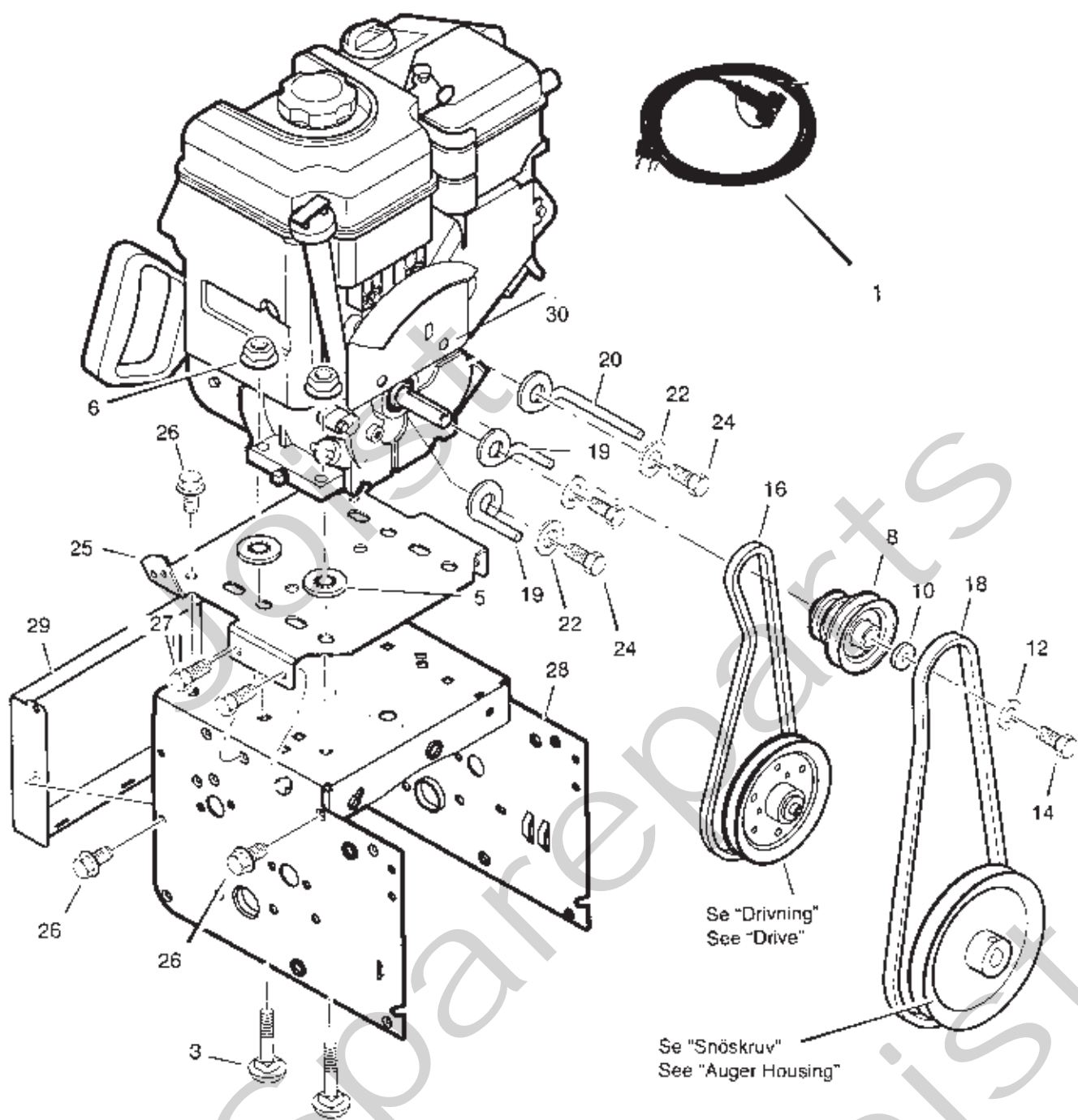
Utgåva Issue		Bildnr Picture No		1074 POWER 1174 HST STRÅLKASTARE		1074 POWER 1174 HST HEADLIGHT		Sida Page	
2004-14		1527						84	
Pos. Fig.	Antal/Quantity			Art nr Part No	Benämning	Description	Sats Kit	Anmärkning Notes	
	2841	2846							
X 621	1	1		1812-1780-01	Strålkastare kpl.....	Headlight assy.....			
621 A	1	1		1812-1909-01	• Halogenlampa.....	• Halogene bulb.....		27W	
622	1	1		1812-1820-01	Kablage.....	Harness.....			
625	1	1		9579-0003-00	Buntband.....	Cable holder.....			
626	1	1		1812-1187-01	Lampfäste.....	Light bracket.....			
627	3	3		1812-1476-01	Skruv.....	Screw.....			
628	3	3		1812-1477-01	Planbricka.....	Flat washer.....			
629	1	1		1812-1815-01	Lock.....	Cover.....			
630	1	1		1812-1816-01	Lock.....	Cover.....			
631	4	4		1812-1797-01	List.....	Strip.....			
632	12	12		1812-1769-01	Låsning.....	Push nut.....			



Utgåva Issue		Bildnr Picture No		1074 POWER MOTOR	1074 POWER ENGINE	Sida Page		
2004-14		1776				86		
Pos. Fig.	Antal/Quantity			Art nr Part No	Benämning	Description	Sats Kit	Anmärkning Notes
	2841							
1	1			1812-1615-01	Förlängningsladd .....	Extension cord .....		
3	4			1812-1678-01	Vagnsbult .....	Carriage bolt .....		
4	4			1812-1681-01	Hållare .....	Retainer .....		
5	4			9795-3631-02	Mutter .....	Nut .....		
6	1			1812-1719-01	Motorremskiva .....	Engine pulley .....		
7	1			1812-1691-01	Bricka .....	Washer .....		
8	1			9683-0035-02	Låsbricka .....	Lock washer .....		
9	1			1133-0762-01	Skruv .....	Screw .....		
10	1			1812-9016-01	Drivrem .....	Drive belt .....		
11	1			1812-9020-01	Drivrem .....	Drive belt .....		
12	1			1812-1722-01	Spännrullsläste .....	Idler bracket .....		
13	1			1812-1705-01	Bussning .....	Bushing .....		
14	1			9683-0030-02	Låsbricka .....	Lock washer .....		
15	1			9987-5119-16	Skruv .....	Screw .....		
16	1			1812-1835-01	Fjäder .....	Spring .....		
17	1			1812-1834-01	Spännrulle .....	Idler pulley .....		
18	1			9743-3721-32	Mutter .....	Nut .....		
20	1			1812-1742-01	Remstyrning .....	Belt guide .....		
22	1			9683-0030-02	Låsbricka .....	Lock washer .....		
24	2			9987-5119-16	Skruv .....	Screw .....		
25	1			1812-1703-01	Motorplatta .....	Engine mount plate .....		
26	6			9988-3516-16	Skruv .....	Screw .....		
27	4			1812-1832-01	Skruv .....	Screw .....		
28	1			1812-1938-01	Motorchassi .....	Engine box frame .....		
30	1			1812-1988-01	Skydd .....	Shield .....		

X  
X

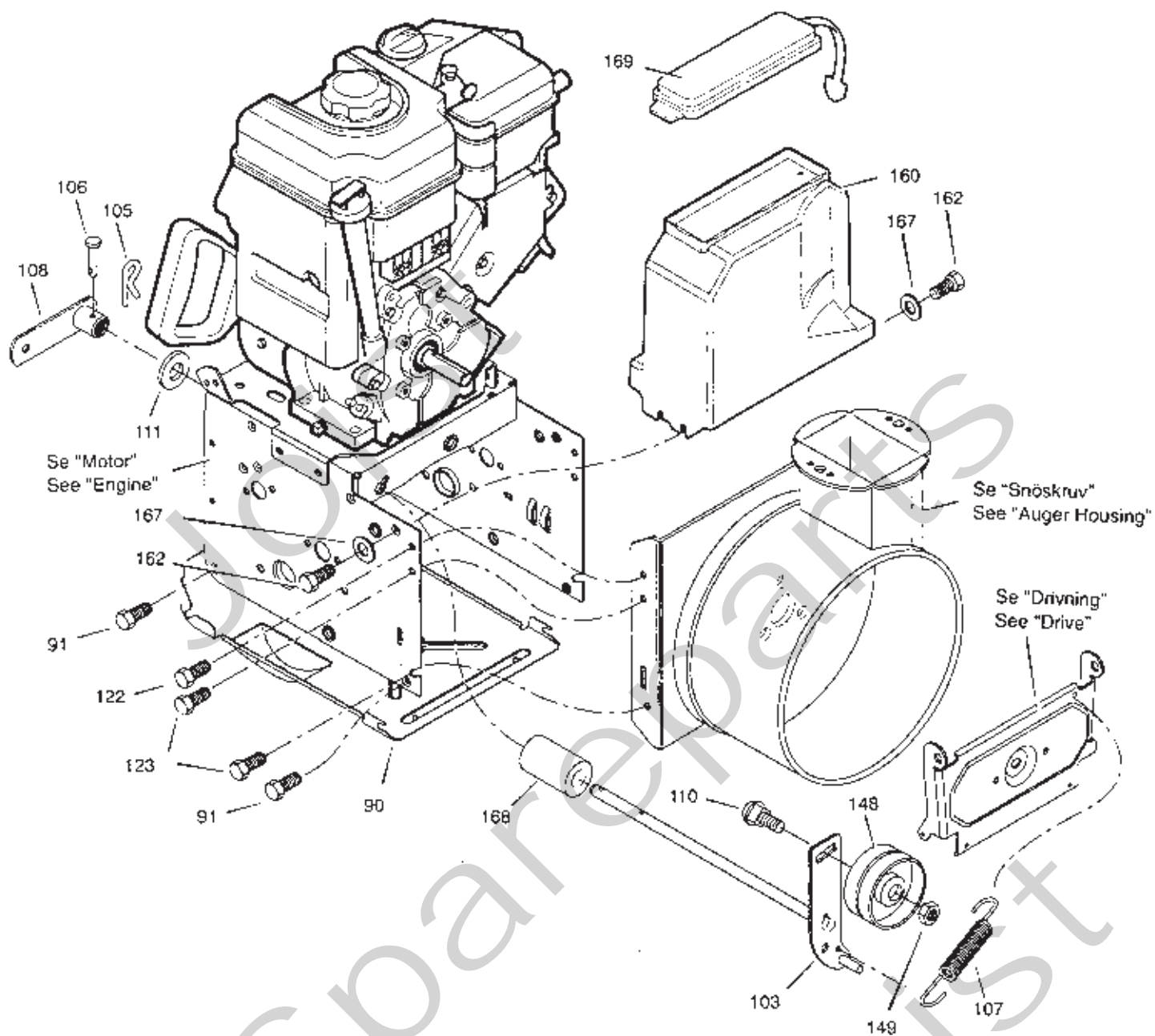
Spareparts Joist



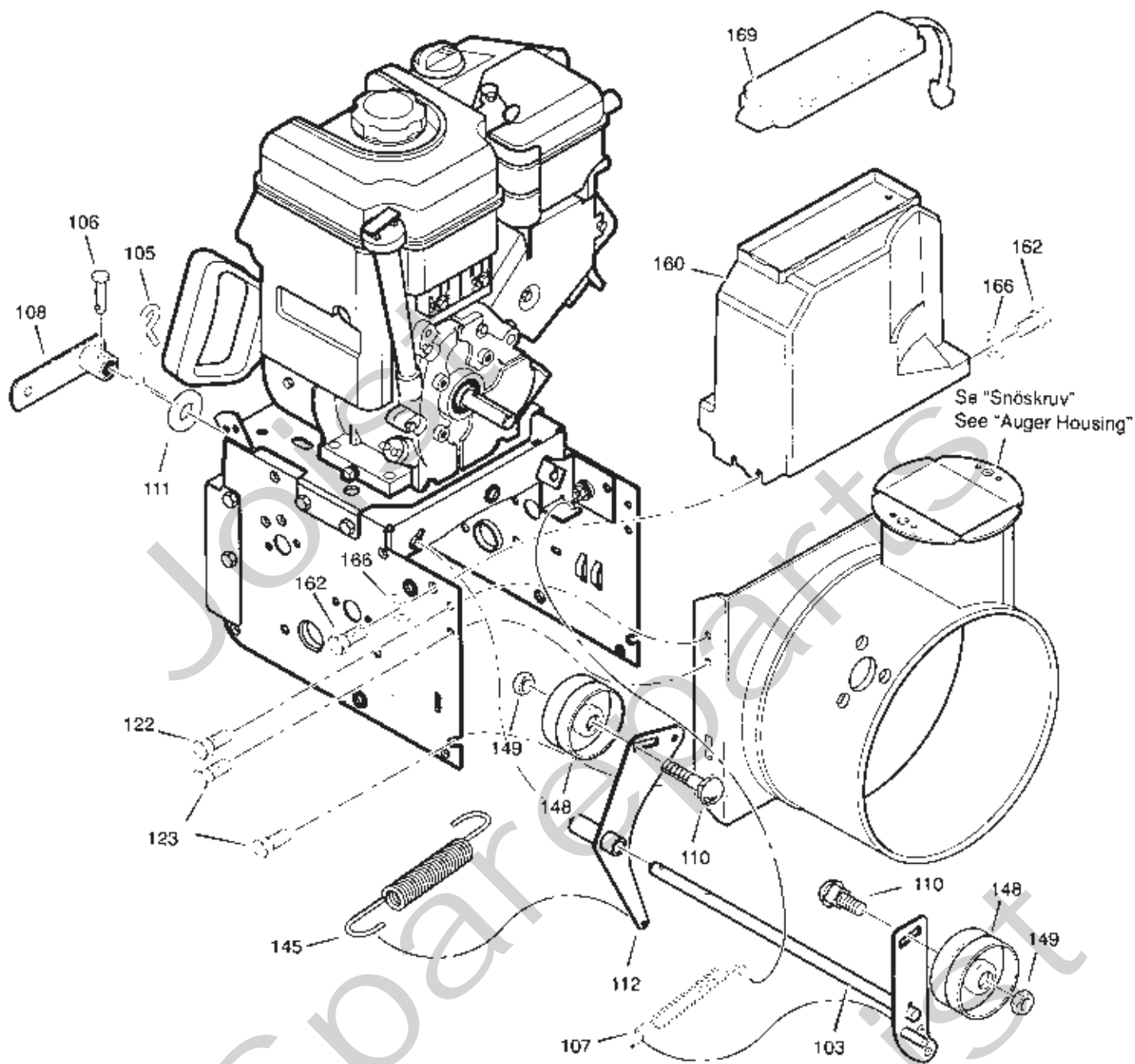
Utgåva Issue 2004-14		Bildnr Picture No 1528A		1174 HST MOTOR		1174 HST ENGINE		Sida Page 88	
Pos. Fig.	Antal/Quantity			Art nr Part No	Benämning	Description	Sats Kit	Anmärkning Notes	
	2846								
1	1			1812-1615-01	Förlängningssladd .....	Extension cord .....			
3	4			1812-1678-01	Vagnsbult .....	Carriage bolt .....			
5	4			1812-1681-01	Hållare .....	Retainer .....			
6	4			9795-3631-02	Mutter .....	Nut .....			
8	1			1812-1719-01	Motorremskiva .....	Engine pulley .....			
10	1			1812-1691-01	Bricka .....	Washer .....			
12	1			9683-0035-02	Låsbricka .....	Lock washer .....			
14	1			1133-0762-01	Skruv .....	Screw .....			
16	1			1812-9027-01	Drivrem .....	Drive belt .....			
18	1			1812-9020-01	Drivrem .....	Drive belt .....			
19	2			1812-1808-01	Remstyrning .....	Belt guide .....			
20	1			1812-1742-01	Remstyrning .....	Belt guide .....			
22	3			9683-0030-02	Låsbricka .....	Lock washer .....			
24	3			9987-5119-16	Skruv .....	Screw .....			
25	1			1812-1703-01	Motorplatta .....	Engine mount plate .....			
26	6			9988-3516-16	Skruv .....	Screw .....			
27	4			1812-1832-01	Skruv .....	Screw .....			
28	1			1812-1792-01	Motorchassi .....	Engine box frame .....			
29	1			1812-1798-01	Bakplåt .....	Back panel .....			
30	1			1812-1986-01	Skyddsfäste .....	Shield bracket .....			

X

Joist Spareparts Joist



Utgåva Issue 2004-14		Bildnr Picture No 1530B		1074 POWER RAM		1074 POWER FRAME		Sida Page 90	
Pos. Fig.	Antal/Quantity			Art nr Part No	Benämning	Description	Sats Kit	Anmärkning Notes	
	2841								
X 90	1			1812-1700-01	Bottenplåt.....	Bottom cover.....			
91	4			9988-3516-16	Skruv.....	Screw.....			
103	1			1812-2004-01	Spännarm.....	Idler.....			
105	1			1812-1511-01	Låsstift.....	Hair pin.....			
106	1			1812-1533-01	Pinne.....	Klik pin.....			
107	1			1812-1676-01	Fjäder.....	Tension spring.....			
108	1			1812-1693-01	Fjäderläste.....	Spring attachment.....			
110	1			9899-3732-16	Skruv.....	Screw.....			
111	1			1812-1509-01	Planbricka.....	Flat washer.....			
122	2			1812-1832-01	Skruv.....	Screw.....			
123	4			1812-1833-01	Skruv.....	Screw.....			
148	1			1812-0305-01	Spännrulle.....	Tension roller.....			
149	1			9743-3721-32	Mutter.....	Nut.....			
160	1			1812-1785-01	Remskydd.....	Belt cover.....			
162	2			1812-1680-01	Skruv.....	Screw.....			
167	2			9699-0028-02	Planbricka.....	Flat washer.....			
168	1			1812-1741-01	Distans.....	Spacer.....			
169	1			1812-1777-01	Lock.....	Tool box lid.....			





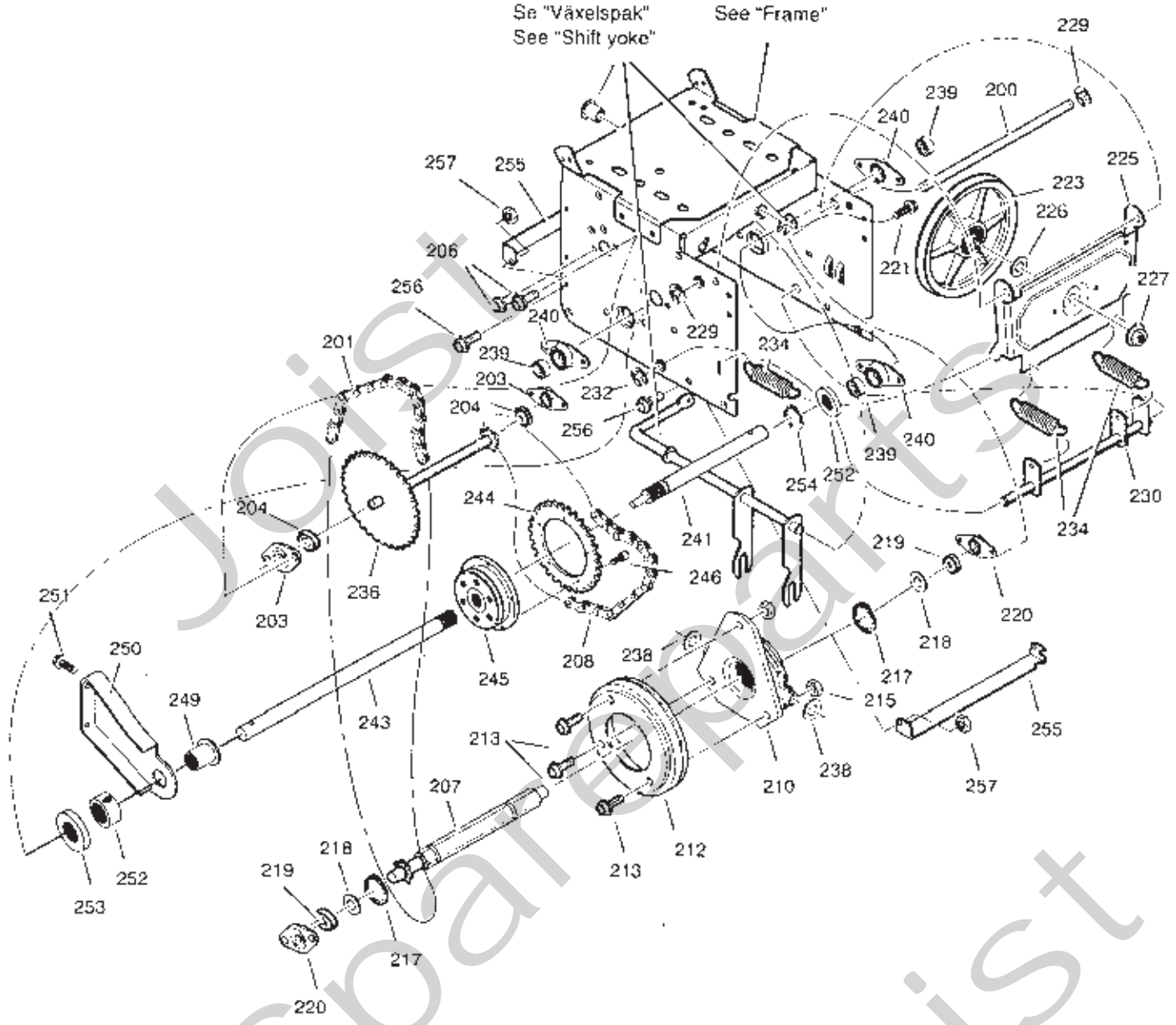


Utgåva Issue 2004-14	Bildnr Picture No 1529B	1174 HST RAM	1174 HST FRAME	Sida Page 92
----------------------------	-------------------------------	-----------------	-------------------	--------------------

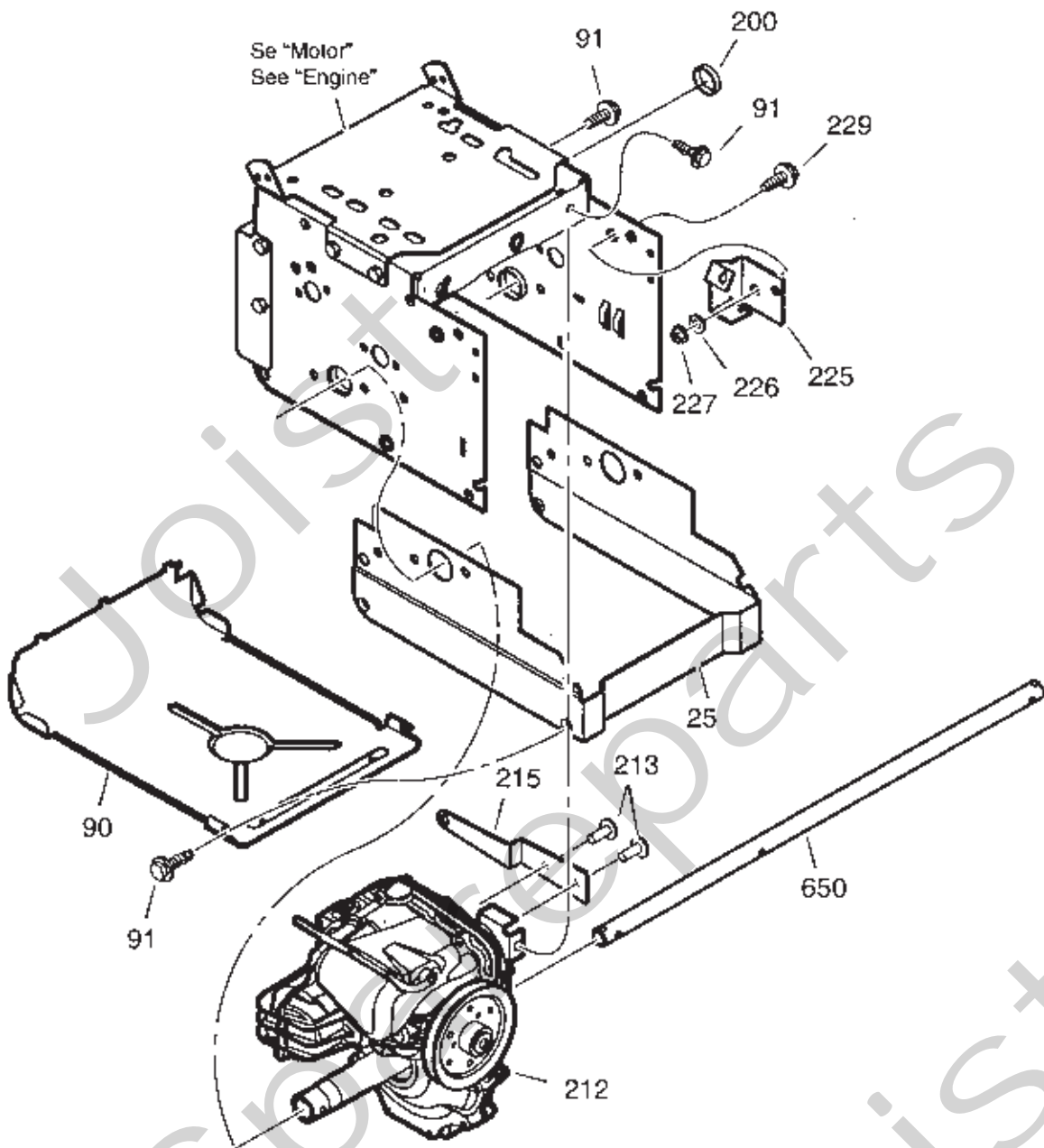
Pos. Fig.	Antal/Quantity				Art nr Part No	Benämning	Description	Sats Kit	Anmärkning Notes
	2846								
X 103	1				1812-1946-01	Spännarm .....	Auger idler .....		
105	1				1812-1511-01	Låsstift .....	Hair pin .....		
106	1				1812-1533-01	Pinne .....	Klik pin .....		
107	1				1812-1676-01	Fjäder .....	Tension spring .....		
108	1				1812-1693-01	Fjäderfäste .....	Spring attachment .....		
110	2				9899-3732-16	Skruv .....	Screw .....		
111	1				1812-1509-01	Planbricka .....	Flat washer .....		
112	1				1812-1810-01	Spännarm .....	Idler bracket .....		
122	2				1812-1832-01	Skruv .....	Screw .....		
123	4				1812-1833-01	Skruv .....	Screw .....		
145	1				1812-1762-01	Fjäder .....	Clutch spring .....		
148	2				1812-0305-01	Spännrulle .....	Tension roller .....		
149	2				9743-3721-32	Mutter .....	Nut .....		
160	1				1812-1785-01	Remskydd .....	Belt cover .....		
162	2				1812-1680-01	Skruv .....	Screw .....		
166	2				9699-0028-02	Planbricka .....	Flat washer .....		
169	1				1812-1777-01	Lock .....	Tool box lid .....		

Se "Växelspak"  
See "Shift yoke"

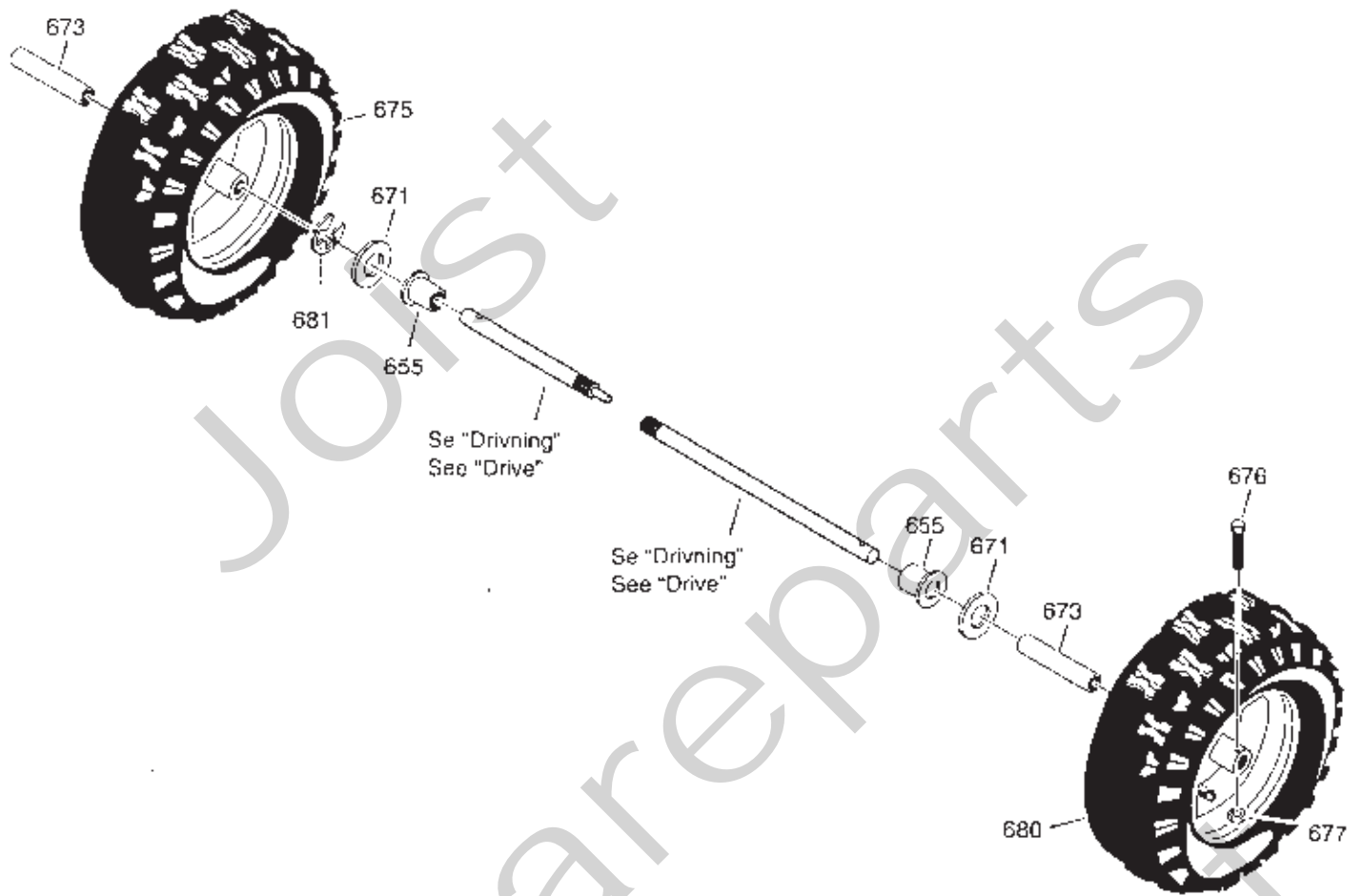
Se "Ram"  
See "Frame"



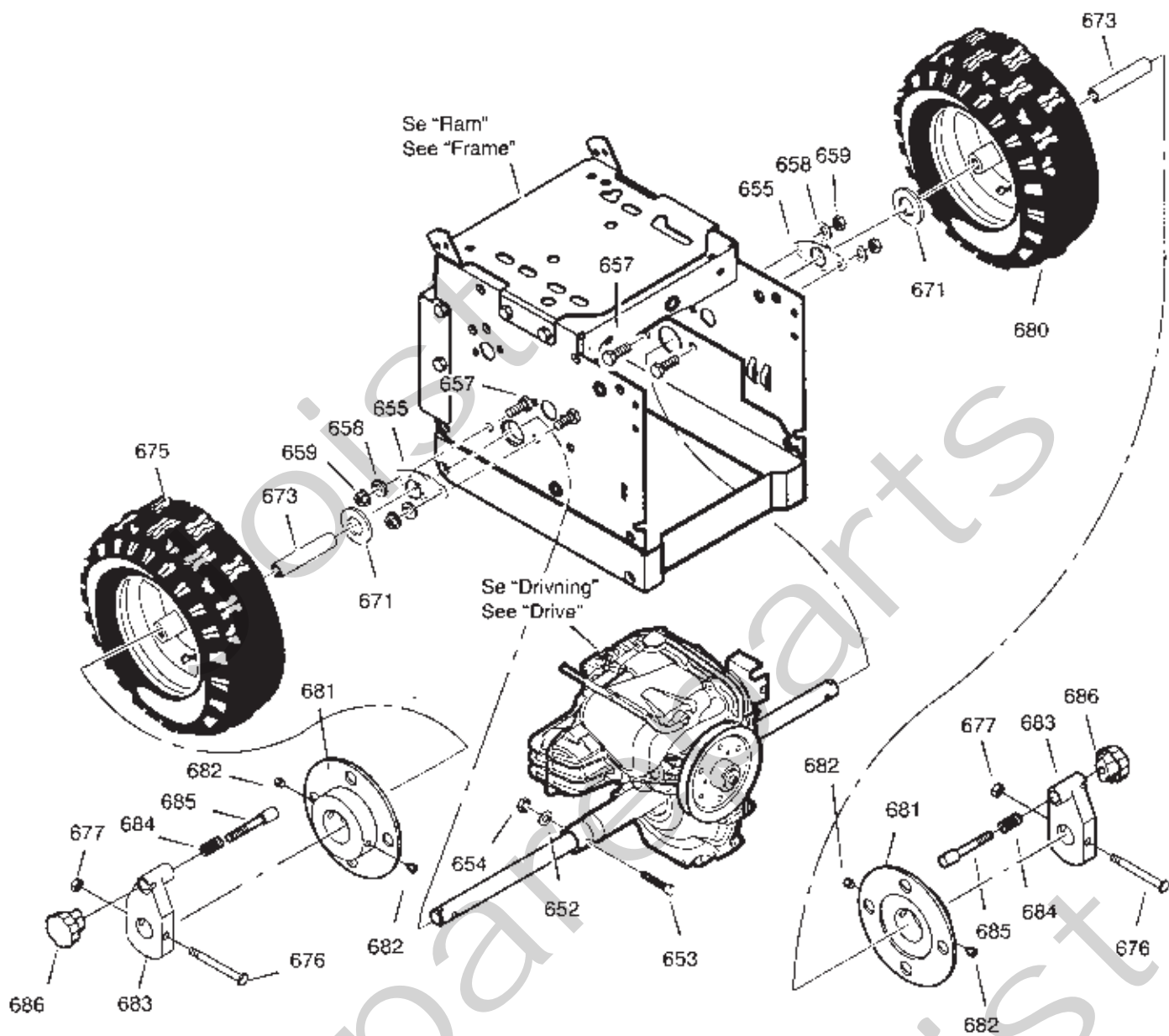
Utgåva Issue		Bildnr Picture No		1074 POWER DRIVING		1074 POWER DRIVE		Sida Page	
2004-14		1777						94	
Pos. Fig.	Antal/Quantity				Art nr Part No	Benämning	Description	Sats Kit	Anmärkning Notes
	2841								
	200	1			1812-1713-01	Axel- svängplatta .....	Axle- swing plate .....		
	201	1			1812-1686-01	Kedja .....	Chain .....		
	203	2			1812-1200-01	Lagerhållare .....	Bearing retainer .....		
	204	2			1812-1207-01	Kullager .....	Ball bearing .....		
	206	4			1812-1832-01	Skruv .....	Screw .....		
X	207	1			1812-2000-01	Sexkantsaxel .....	Hex shaft .....		
	208	1			1812-1688-01	Kedja .....	Chain .....		
	210	1			1812-1313-01	Lager .....	Trunion bearing .....		
X	212	1			1812-9028-01	Friktionshjul .....	Friction disc wheel .....		
	213	3			9988-3516-16	Skruv .....	Screw .....		
	215	3			9795-3531-02	Mutter .....	Nut .....		
	217	2			1812-1687-01	Låsring .....	Retext ring .....		
	218	2			1812-1204-01	Bricka .....	Washer .....		
	219	2			1812-1207-01	Kullager .....	Ball bearing .....		
	220	2			1812-1200-01	Lagerhållare .....	Bearing retainer .....		
	221	2			1812-1832-01	Skruv .....	Screw .....		
	223	1			1812-1725-01	Friktionsremskiva .....	Friction pulley .....		
	225	1			1812-1701-01	Svängplatta .....	Swing plate .....		
	226	1			1812-1739-01	Distans .....	Spacer .....		
	227	1			1812-1674-01	Flänslåsmutter .....	Flange lock nut .....		
	229	2			1812-1672-01	Låsring .....	Retainer ring .....		
X	230	1			1812-1936-01	Fjäderlänkarm .....	Spring link .....		
	232	2			1812-1672-01	Låsring .....	Retainer ring .....		
	234	3			1812-1675-01	Fjäder .....	Spring .....		
	236	1			1812-1715-01	Mellanaxel m.drev .....	Intermed. sprocket .....		33T/7T
	238	2			9899-0038-02	Planbricka .....	Flat washer .....		
X	239	3			1812-1920-01	Kullager .....	Ball bearing .....		
X	240	3			1812-1919-01	Lagerhållare .....	Bearing retainer .....		
X	241	1			1812-2003-01	Axel .....	Axle and pin assy .....		
X	243	1			1812-2001-01	Axel .....	Axle and bushing .....		
X	244	1			1812-1935-01	Kedjedrev .....	Sprocket .....		
X	245	1			1812-1933-01	Differential .....	Auto lock clutch .....		
X	246	5			1812-1915-01	Skruv .....	Screw .....		
	249	1			1812-1724-01	Lager .....	Axle bearing .....		
X	250	1			1812-1932-01	Fäste .....	Axle support brackel .....		
	251	2			1812-1833-01	Skruv .....	Screw .....		
X	252	2			1812-1934-01	Låshylsa .....	Locking collar .....		
X	253	2			1812-1913-01	Bricka .....	Washer .....		
X	254	1			1812-1911-01	Låsring .....	Ring retainer .....		
X	255	2			1812-1999-01	Stödstag .....	Support bracket .....		
	256	4			9988-3516-16	Skruv .....	Screw .....		
	257	4			9743-3521-32	Mutter .....	Nut .....		



Utgåva Issue		Bildnr Picture No		1174 HST DRIVNING		1174 HST DRIVE		Sida Page	
2004-14		1531						96	
Pos. Fig.	Antal/Quantity			Art nr Part No	Benämning	Description	Sats Kit	Anmärkning Notes	
	2846								
25	1			1812-1799-01	Rampbyggnad .....	Frame extension .....			
90	1			1812-1795-01	Bottenplåt .....	Bottom cover .....			
91	6			9988-3516-16	Skruv .....	Screw .....			
200	2			1812-1825-01	Plugg .....	Plug .....			
212	1			1812-1800-01	Transmission kpl .....	Transmission assy .....		Hydro Gear 314-0410	
213	2			1812-1766-01	Nit .....	Rivet .....			
215	1			1812-1806-01	Reglagearm .....	Control extension arm .....			
225	1			1812-1803-01	Fäste .....	Drive cable bracket .....			
226	2			9683-0035-02	Låsbricka .....	Lock washer .....			
227	2			9743-3721-32	Mutter .....	Nut .....			
229	2			1812-1767-01	Skruv .....	Screw .....			
X 650	1			1812-1929-01	Hjulaxel .....	Wheel axle .....			

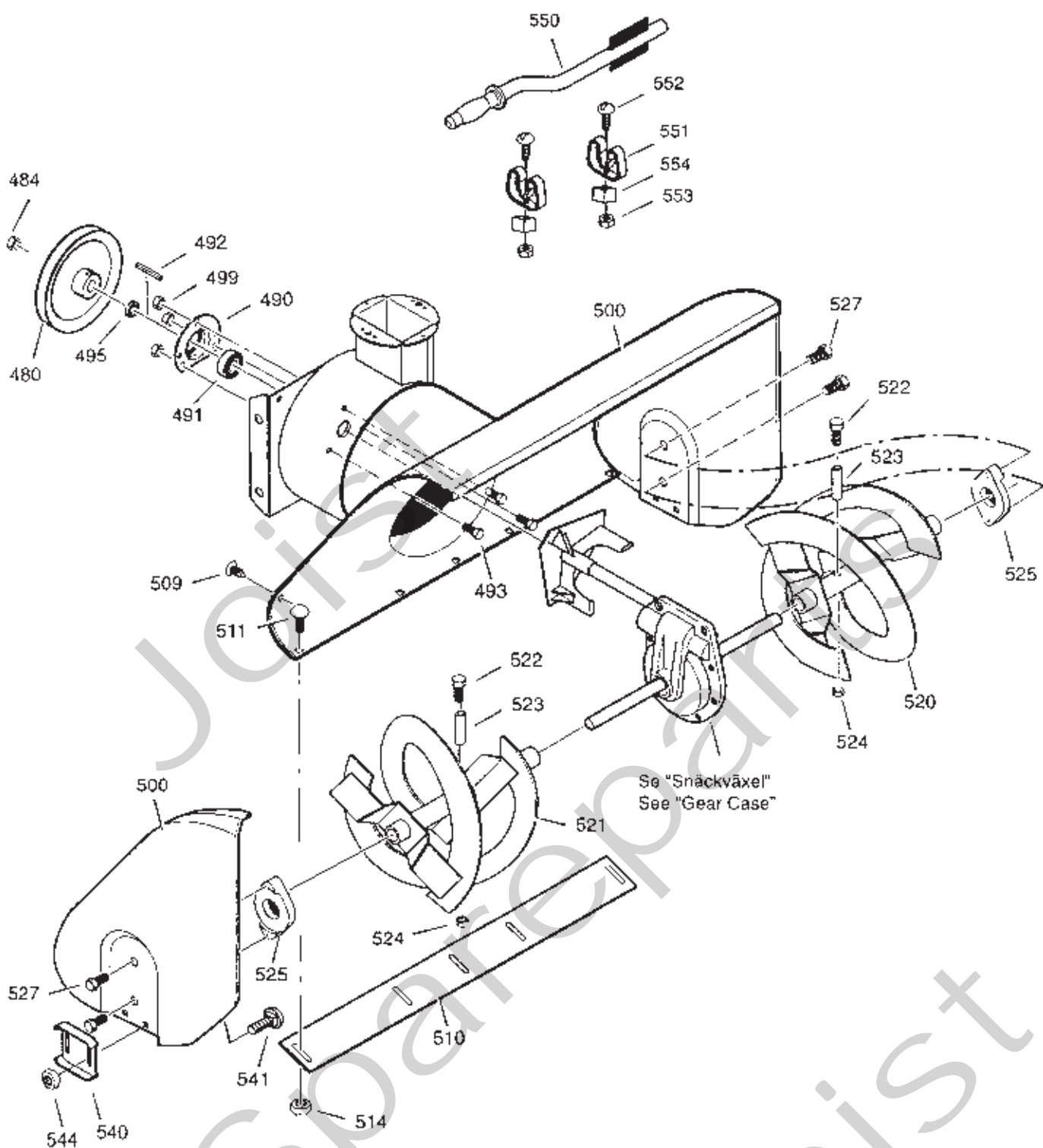


Utgåva Issue		Bildnr Picture No		1074 POWER HJUL		1074 POWER WHEELS		Sida Page	
2004-14		1779						98	
Pos. Fig.	Antal/Quantity			Art nr Part No	Benämning	Description	Sats Kit	Anmärkning Notes	
	2841								
X 655	2			1812-1724-01	Lager .....	Axle bearing .....			
671	2			1812-0407-01	Bricka .....	Washer .....			
673	2			1812-1733-01	Hjulbussning .....	Wheel bushing .....			
X 675	1			1812-1952-01	Hjul kpl-vä .....	Wheel assy-LH .....		4.00/4.80-8 (16x4')	
676	1			1812-1114-01	Bult .....	Bolt .....			
677	1			1812-1760-01	Mutter .....	Nut .....			
X 680	1			1812-1951-01	Hjul kpl-hö .....	Wheel assy-RH .....		4.00/4.80-8 (16x4')	
681	1			1812-0567-01	Låsring .....	Retaining ring .....			

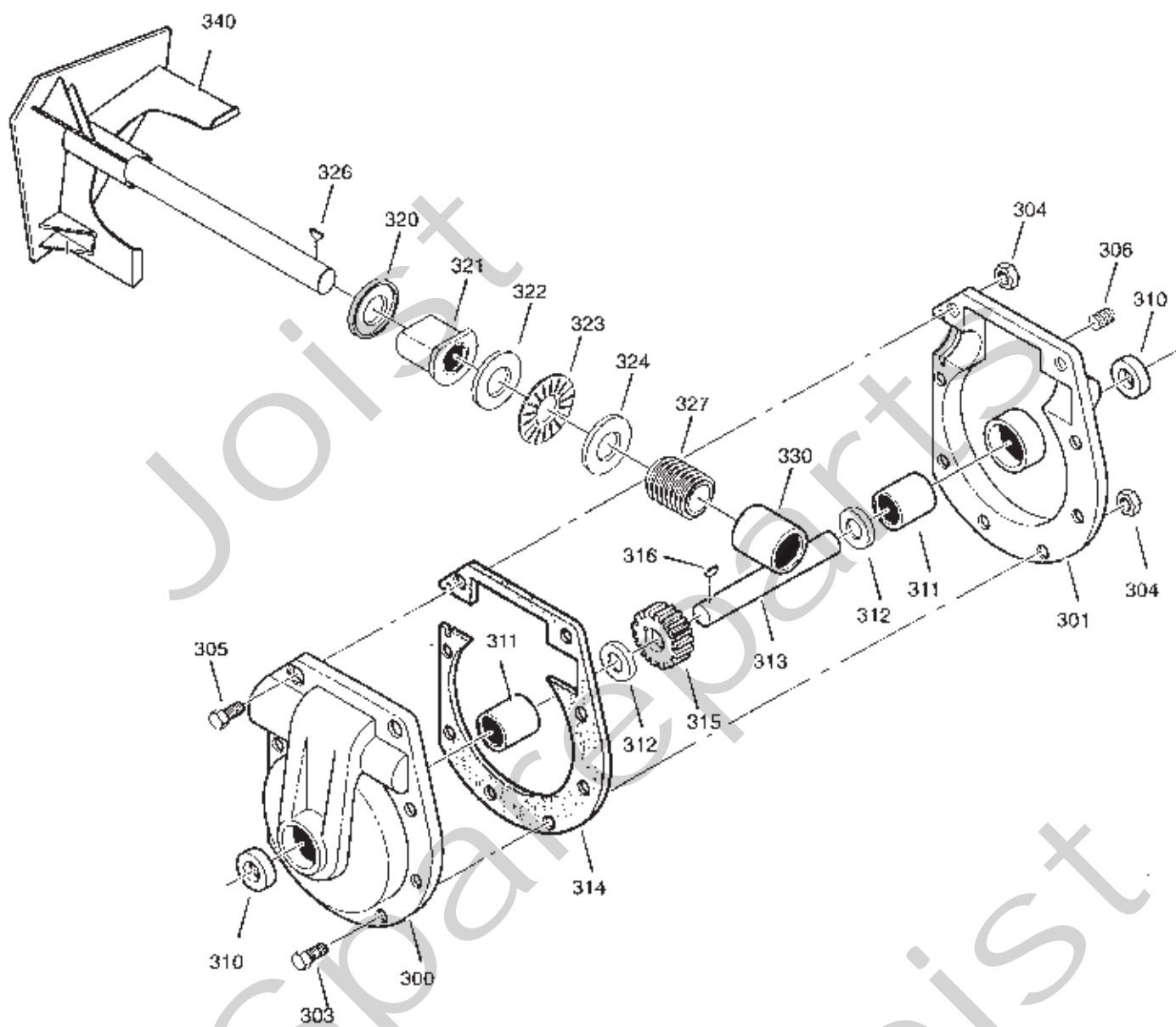




Utgåva Issue		Bildnr Picture No		1174 HST HJUL		1174 HST WHEELS		Sida Page	
2004-14		1533A						100	
Pos. Fig.	Antal/Quantity			Art nr Part No	Benämning	Description	Sats Kit	Anmärkning Notes	
	2846								
	652	1		1812-0531-01	Distans .....	Spacer .....			
	653	1		1812-1755-01	Skruv .....	Screw .....			
	654	1		1812-1757-01	Mutter .....	Nut .....			
	655	2		1812-0820-01	Lager .....	Bearing .....			
	657	4		9988-3719-16	Skruv .....	Screw .....			
	658	4		9683-0035-02	Låsbricka .....	Lock washer .....			
	659	4		9795-3731-02	Mutter .....	Nut .....			
	671	2		1812-0407-01	Bricka .....	Washer .....			
	673	2		1812-1733-01	Hjulbussning .....	Wheel bushing .....			
X	675	1		1812-1948-01	Hjul kpl- hö .....	Wheel assy- RH .....		16 x 6.50-8	
	676	2		1812-1756-01	Skruv .....	Screw .....			
	677	2		1812-1760-01	Mutter .....	Nut .....			
X	680	1		1812-1947-01	Hjul kpl- vä .....	Wheel assy- LH .....		16 x 6.50-8	
	681	2		1812-1606-01	Hjullåttrik .....	Wheel disc .....			
	682	4		1812-1827-01	Skruv .....	Screw .....			
X	683	2		1812-1982-01	Hjullåsnav .....	Wheel lock hub .....		Inkl. pos 684 - 686	
	684	2		1812-1589-01	• Fjäder .....	• Compression spring .....			
X	685	2		1812-1959-01	• Låssprint .....	• Lock pin .....			
X	686	2		1812-1958-01	• Knopp .....	• Knob .....			

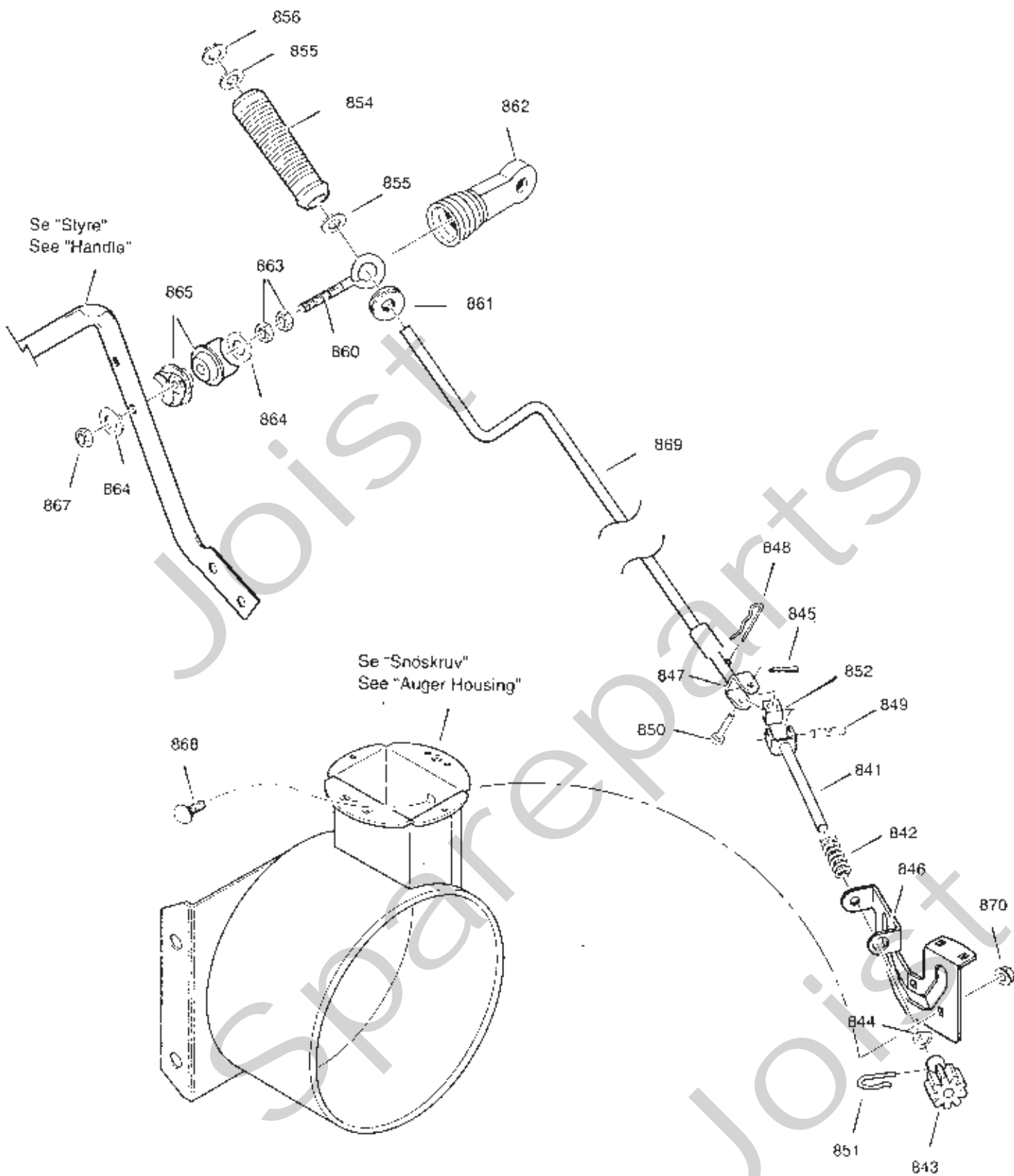


Utgåva Issue 2004-14		Bildnr Picture No 1326A		1074 POWER 1174 HST SNÖSKRUV		1074 POWER 1174 HST AUGER HOUSING		Sida Page 102	
Pos. Fig.	Antal/Quantity		Art nr Part No	Benämning	Description	Sats Kit	Anmärkning Notes		
	2841	2846							
X 480	1	1	1812-1261-01	Remskiva .....	Auger pulley .....				
484	1	1	1812-1673-01	Mutter .....	Nut .....				
490	1	1	1812-1690-01	Kullagerhållare .....	Ball bearing retainer .....				
491	1	1	1812-1858-01	Kullager .....	Ball bearing .....				
492	1	1	1812-1609-01	Kil .....	Key .....				
493	3	3	9988-3613-16	Skruv .....	Screw .....				
495	1	1	1812-1739-01	Distans .....	Spacer .....				
499	3	3	9795-3631-02	Mutter .....	Nut .....				
X 500	1	1	1812-1941-01	Snöskruvhus .....	Auger housing .....				
509	2	2	1812-1430-01	Plugg .....	Plug .....				
510	1	1	1812-1449-01	Skrapskär .....	Scraper blade .....				
511	5	5	9899-3622-16	Skruv .....	Screw .....				
514	5	5	9795-3631-02	Mutter .....	Nut .....				
520		1	1812-1445-01	Snöskruv- vä (sågtand) .....	Auger- LH .....				
520	1		1812-1837-01	Snöskruv- va .....	Auger- LH .....				
521		1	1812-1454-01	Snöskruv- hö (sågtand) .....	Auger- RH .....				
521	1		1812-1838-01	Snöskruv- hö .....	Auger- RH .....				
522	1	1	1812-9005-01	Brytbultsats .....	Shear bolt kit .....				
523	2	2	1812-0531-01	• Distans .....	• Spacer .....				
524	2	2	1812-0812-01	• Låsmutter .....	• Locking nut .....				
525	2	2	1812-0347-01	Lager .....	Bearing .....				
527	4	4	1812-1833-01	Skruv .....	Screw .....				
540	2	2	1812-1603-01	Släpsko .....	Height adjust skid .....				
541	4	4	9899-3622-16	Skruv .....	Screw .....				
544	4	4	9795-3631-02	Mutter .....	Nut .....				
X 550	1	1	1812-1930-01	Rengöringsborste .....	Clean- out brush .....				
X 551	2	2	1812-1939-01	Hållare .....	Clips .....				
X 552	2	2	1812-1917-01	Skruv .....	Screw .....				
X 553	2	2	1812-1912-01	Mutter .....	Nut .....				
554	2	2	1812-1317-01	Ledknut .....	Universal pivot block .....				



Utgåva Issue 2004-14	Bildnr Picture No 1324	1074 POWER 1174 HST SNÄCKVÄXEL	1074 POWER 1174 HST GEAR CASE	Sida Page 104
----------------------------	------------------------------	--------------------------------------	-------------------------------------	---------------------

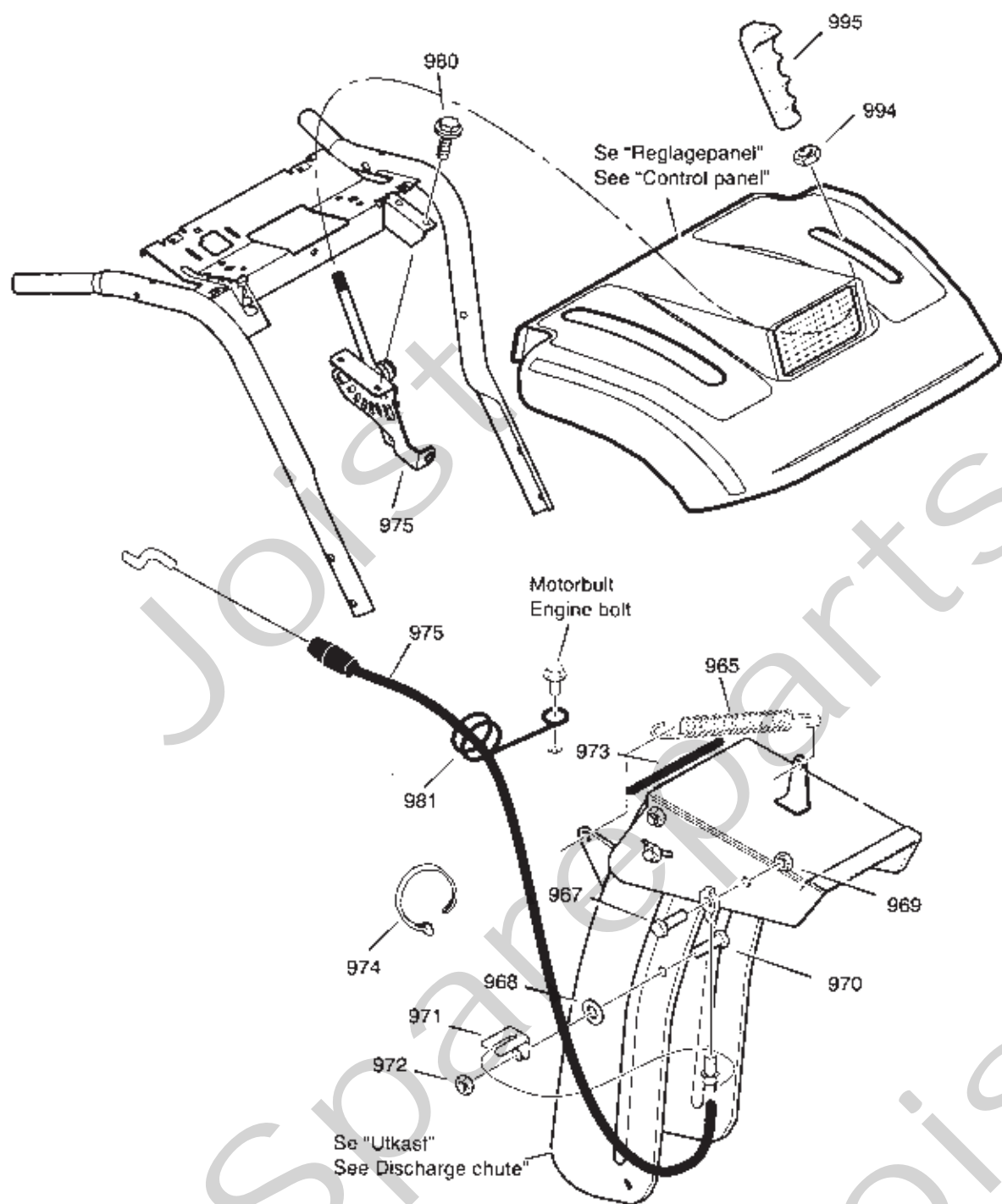
Pos. Fig.	Antal/Quantity		Art nr Part No	Benämning	Description	Sats Kit	Anmärkning Notes
	2841	2846					
300	1	1	1812-0228-01	Snäckväxelhus- hö .....	Gear case- R.H. ....		
301	1	1	1812-0227-01	Snäckväxelhus- vä .....	Gear case- L.H. ....		
303	7	7	9987-5125-16	Skruv .....	Screw .....		
304	8	8	9743-5121-02	Mutter .....	Nut .....		
305	1	1	9987-5145-12	Skruv .....	Screw .....		
306	1	1	1812-0346-01	Oljeplugg .....	Oil plug .....		
310	2	2	1812-0344-01	Tättningsring .....	Ring .....		
311	2	2	1812-0343-01	Lager .....	Bearing .....		
312	2	2	1812-0345-01	Bricka .....	Washer .....		
313	1	1	1812-1442-01	Snöskruvaxel .....	Auger shaft .....		
314	1	1	1812-0226-01	Packning .....	Gasket .....		
315	1	1	1812-0335-01	Drev .....	Worm gear .....		
316	1	1	1812-0409-01	Woodruffkil .....	Woodruffkey .....		
320	1	1	1812-0341-01	Tättningsring .....	Ring .....		
321	1	1	1812-1259-01	Flänslager .....	Flange bearing .....		
322	1	1	1812-0857-01	Bricka .....	Thrust washer .....		
323	1	1	1812-0285-01	Nållager .....	Needle bearing .....		
324	1	1	1812-0857-01	Bricka .....	Thrust washer .....		
326	1	1	1812-0307-01	Kil .....	Key .....		
327	1	1	1812-0336-01	Snäckdrev .....	Gear .....		
330	1	1	1812-0297-01	Lager .....	Bearing .....		
340	1	1	1812-1735-01	Fläkt m. fläktaxel .....	Impeller assy .....		



Utgåva Issue 2004-14		Bildnr Picture No 1535B		1074 POWER 1174 HST INSTÄLLINGSVEV		1074 POWER 1174 HST CHUTE ROD		Sida Page 106	
Pos. Fig.	Antal/Quantity			Art nr Part No	Benämning	Description	Sats Kit	Anmärkning Notes	
	2841	2846							
841	1	1		1812-1826-01	Gaffelstäng	Yoke and rod			
842	1	1		1812-1761-01	Fjäder	Spring			
843	1	1		1812-1706-01	Orev	Gear			
844	1	1		1812-1914-01	Kupad fjäderbricka	Curved spring washer			
845	1	1		9599-0033-00	Saxsprint	Split pin			
846	1	1		1812-1793-01	Fäste	Bracket			
847	1	1		1812-1708-01	Gaffel	Yoke adapter			
848	1	1		1812-1511-01	Låsstift	Hair pin			
849	1	1		1812-1316-01	Axel	Universal pin			
850	1	1		1812-1318-01	Sprint	Clevis pin			
851	1	1		1812-1791-01	Låsnål	Hair pin			
852	1	1		1812-1317-01	Ledknut	Universal pivot block			
854	1	1		1812-1168-01	Handtag	Handle			
855	2	2		1812-1171-01	Bricka	Washer			
856	1	1		1812-1483-01	Låsning	Retainer			
860	1	1		1812-1821-01	Öglebult	Eye bolt			
861	1	1		1812-0203-01	Hylsa	Grommet			
862	1	1		1812-1822-01	Hylsa	Eye bolt boot			
863	2	2		9743-3721-32	Mutter	Nut			
864	2	2		9699-0035-02	Planbricka	Flat washer			
865	2	2		1812-1172-01	Adapter	Boot adaptor			
867	1	1		9743-3721-32	Mutter	Nut			
868	1	1		1812-1679-01	Vagnsbult	Carriage bolt			
869	1	1		1812-1707-01	Inställningsvev	Chute crank			
870	1	1		1812-1760-01	Mutter	Nut			

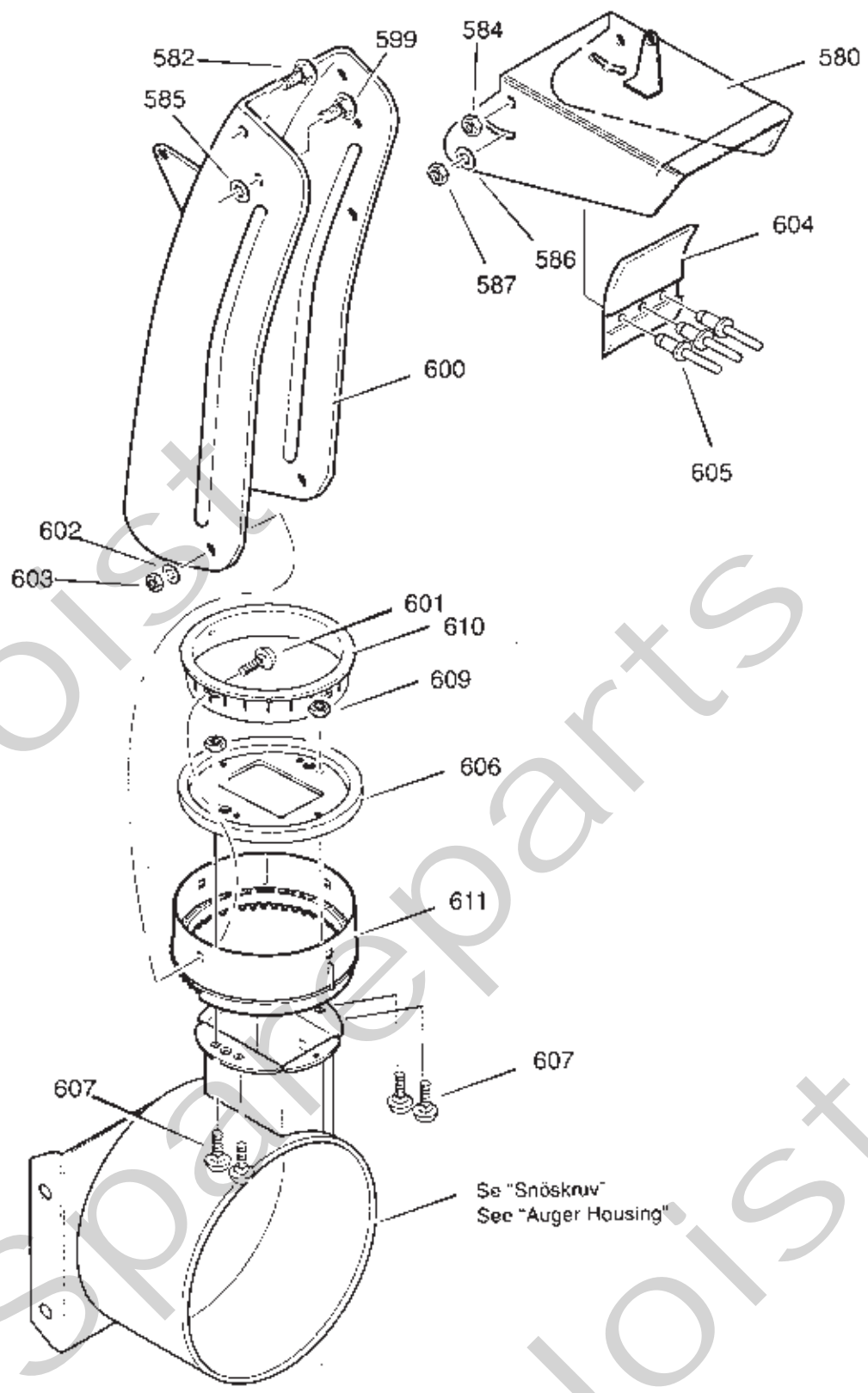
X

Spareparts Joist





Utgåva Issue		Bildnr Picture No		1074 POWER 1174 HST FJÄRREGLAGE		1074 POWER 1174 HST REMOTE CONTROL		Sida Page	
2004-14		1536						108	
Pos. Fig.	Antal/Quantity			Art nr Part No	Benämning	Description	Sats Kit	Anmärkning Notes	
	2841	2846							
965	1	1		1812-1364-01	Fjäder.....	Return spring.....			
967	1	1		1812-1393-01	Bult.....	Bolt.....			
968	1	1		1812-0730-01	Distans.....	Spacer.....			
969	1	1		1812-1758-01	Mutter.....	Nut.....			
970	1	1		9988-3619-16	Skruv.....	Screw.....			
971	1	1		1812-1683-01	Fäste.....	Bracket.....			
972	1	1		1812-0811-01	Låsmutter.....	Locking nut.....			
973	1	1		1812-1694-01	List.....	Trim.....			
974	1	1		9579-0003-00	Buntband.....	Cable holder.....			
975	1	1		1812-1814-01	Reglagewire.....	Chute control cable.....			
980	2	2		1812-1844-01	Skruv.....	Screw.....			
981	1	1		1812-1475-01	Wirehållare.....	Wire form.....			
994	1	1		9743-3721-32	Mutter.....	Nut.....			
995	1	1		1133-0650-01	Handtag.....	Handle.....			



Utgåva Issue		Bildnr Picture No		1074 POWER 1174 HST UTKAST	1074 POWER 1174 HST DISCHARGE CHUTE	Sida Page 110	
Pos. Fig.	Antal/Quantity		Art nr Part No	Benämning	Description	Sats Kit	Anmärkning Notes
	2841	2846					
580	1	1	1812-1467-01	Utkastskärm	Upper chute		
582	2	2	1133-1023-01	Skruv	Screw		
584	2	2	9743-3621-32	Mutter	Nut		
585	2	2	1812-1163-01	Plastbricka	Plastic washer		
586	2	2	1812-0667-01	Plastbricka	Plastic washer		
587	2	2	9743-3621-32	Mutter	Nut		
599	2	2	9899-3625-16	Skruv	Screw		
600	1	1	1812-1473-01	Utkaströr	Lower chute		
601	3	3	9899-3625-16	Skruv	Screw		
602	3	3	9699-0029-02	Planbricka	Flat washer		
603	3	3	9743-3621-32	Mutter	Nut		
604	1	1	1812-1569-01	Skyddstunga	Flap		
605	3	3	1812-1462-01	Popnit	Pop rivet		
606	1	1	1812-1983-01	Utkastplatta	Chute rotate collar		
607	4	4	1812-1831-01	Skruv	Screw		
609	4	4	1812-1760-01	Mutter	Nut		
610	1	1	1812-1366-01	Utkastring- inre	Chute rot. ring-inner		
611	1	1	1812-1787-01	Utkastring- yttre	Retainer ring-outer		

X

Joist Spareparts