

Genuine Spare Parts

www.stiga.com

SNOW STAR-SNOW MAX Model Year 2003/04

includes:

18-2820-24 Snow Star

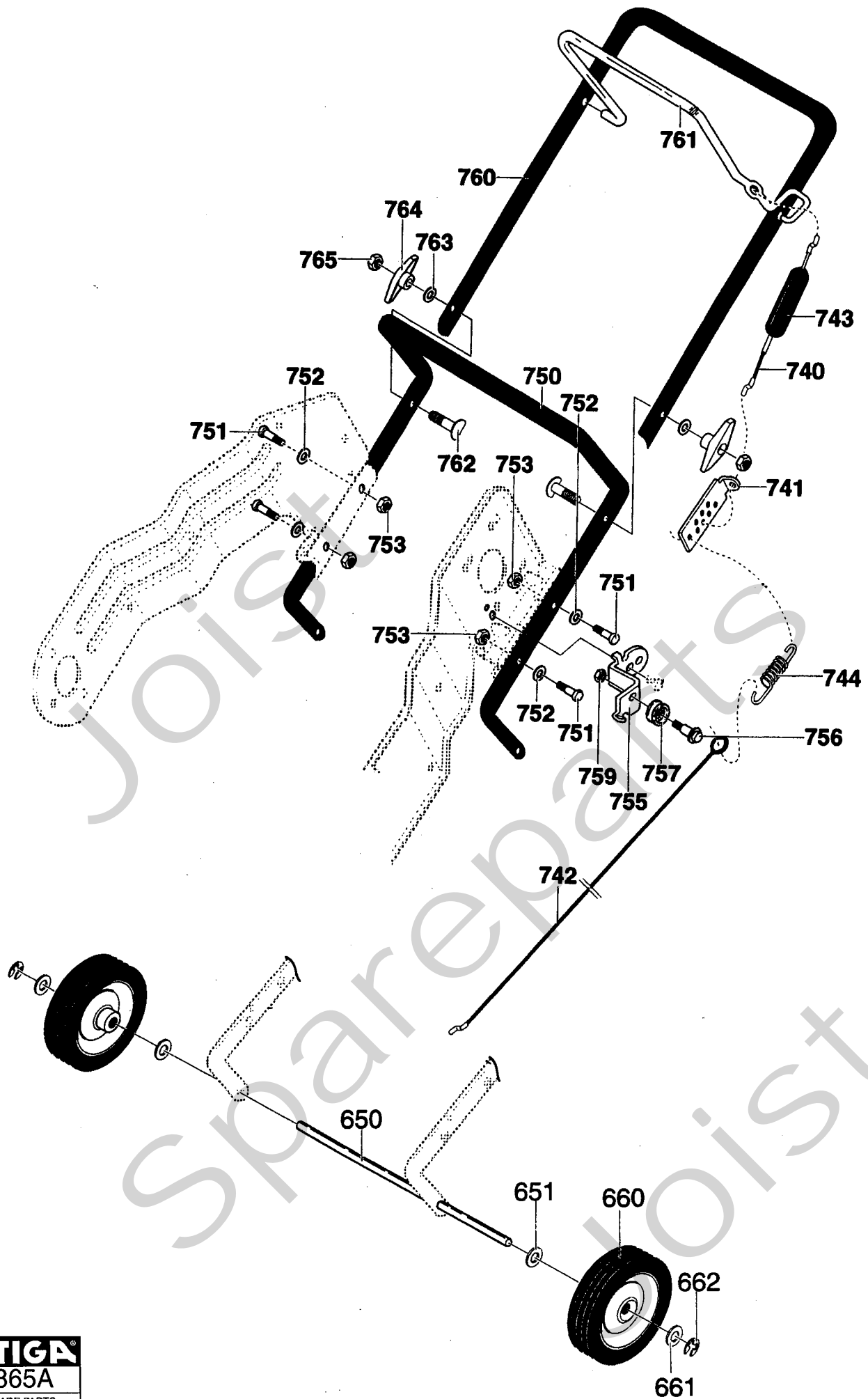
18-2821-24 Snow Max

- Use GLOBAL GARDEN PRODUCT Genuine Spare Parts specified in the parts list for repair and/or replacement.
- The contents described in the parts list may change due to improvement.
- The drawings of the spare parts are only indicative and might not represent the part in question exactly.
- The indications "right" - "left" - "front" - "rear" refer to the position of the operator when using the machine.
- When placing orders of parts for repair and/or replacement, make sure that the illustrated parts list is the one applying to the machine's year of manufacture, as shown on the identification plate attached to the machine.

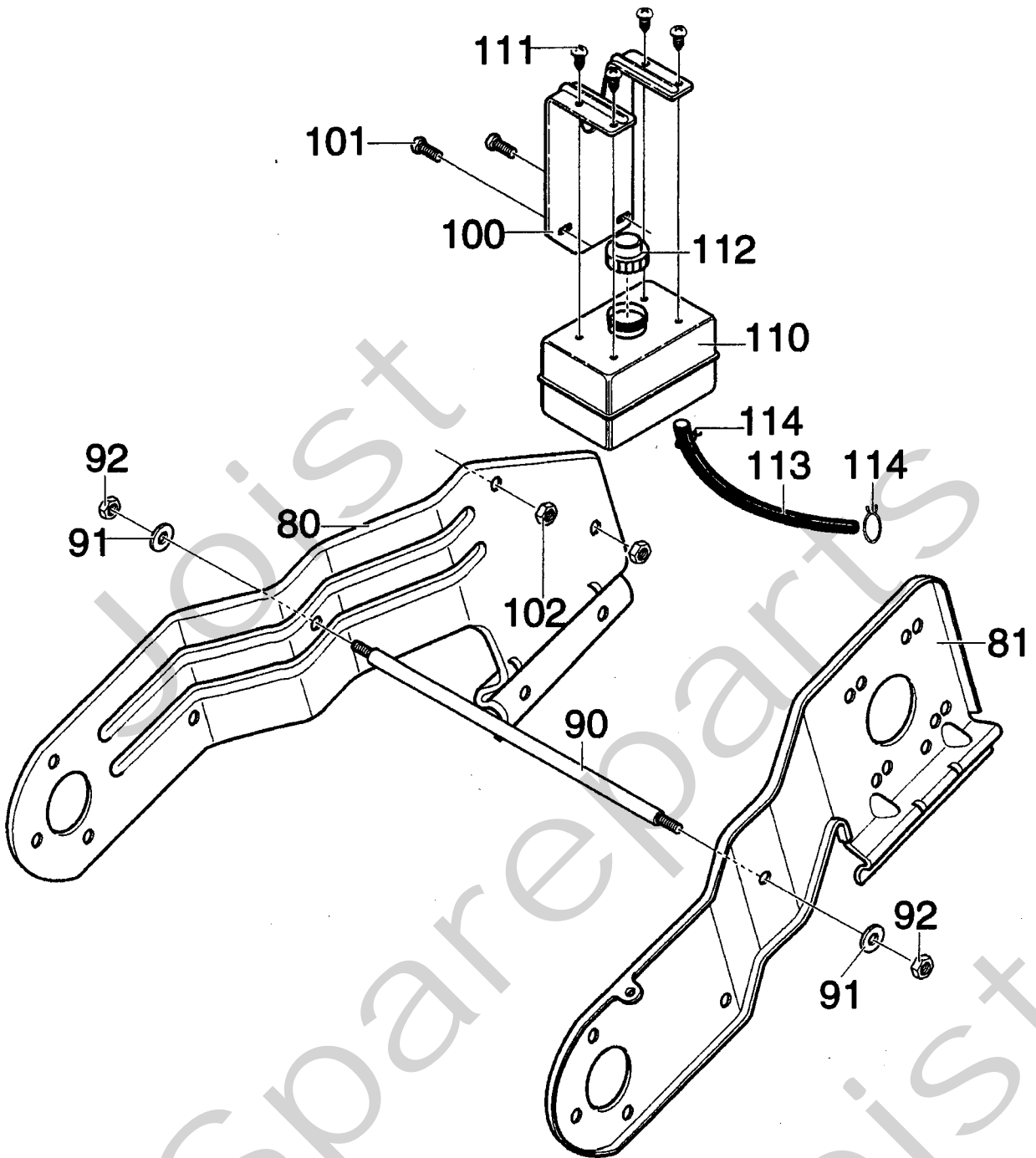
COPYRIGHT by GLOBAL GARDEN PRODUCTS

All rights reserved. No part of this material may be reproduced or transmitted, in any form or by any means, electronic or mechanical, including photocopying, recording or by any information storage and retrieval system, without permission in writing from GLOBAL GARDEN PRODUCTS.

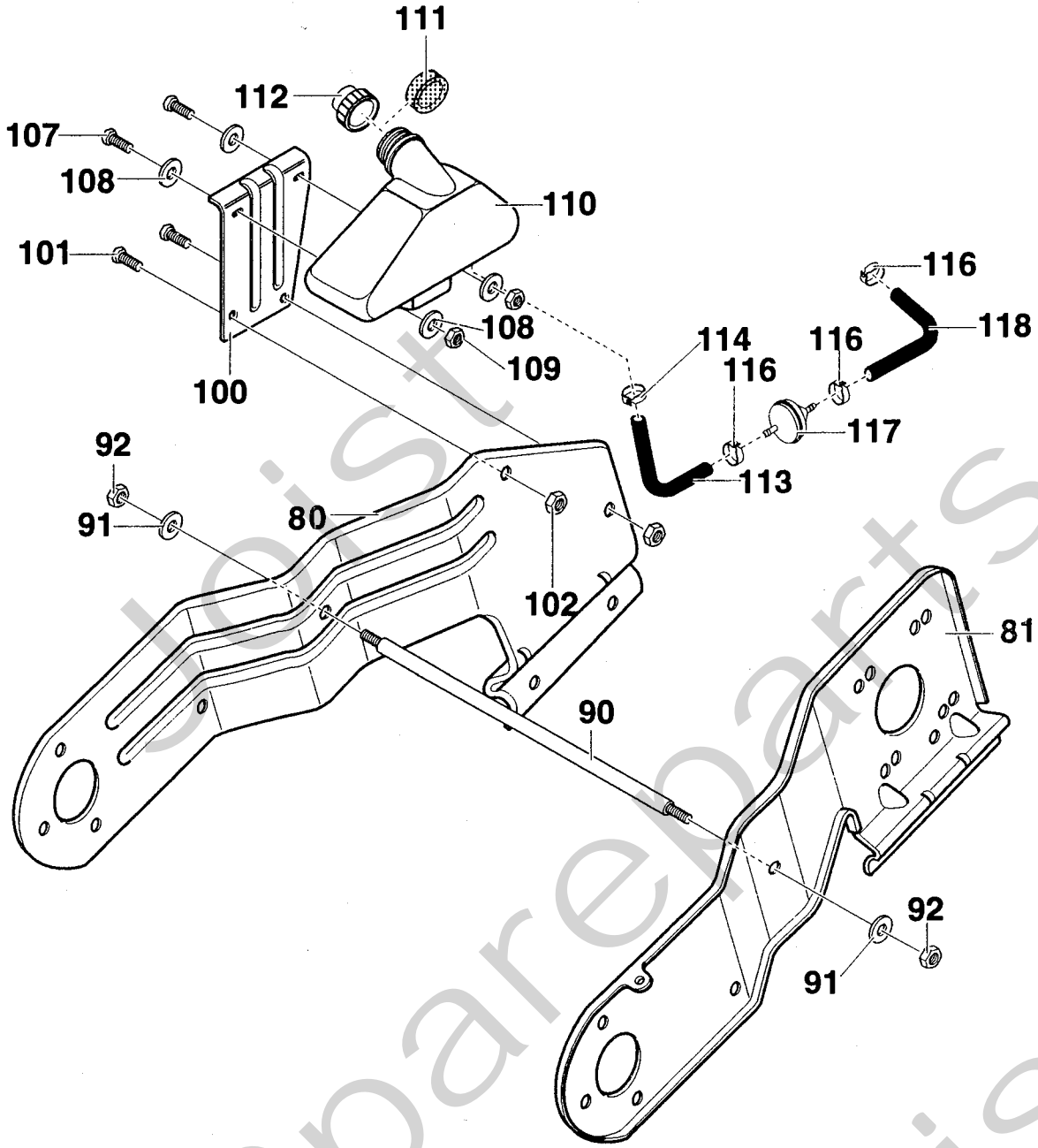
STIGA®



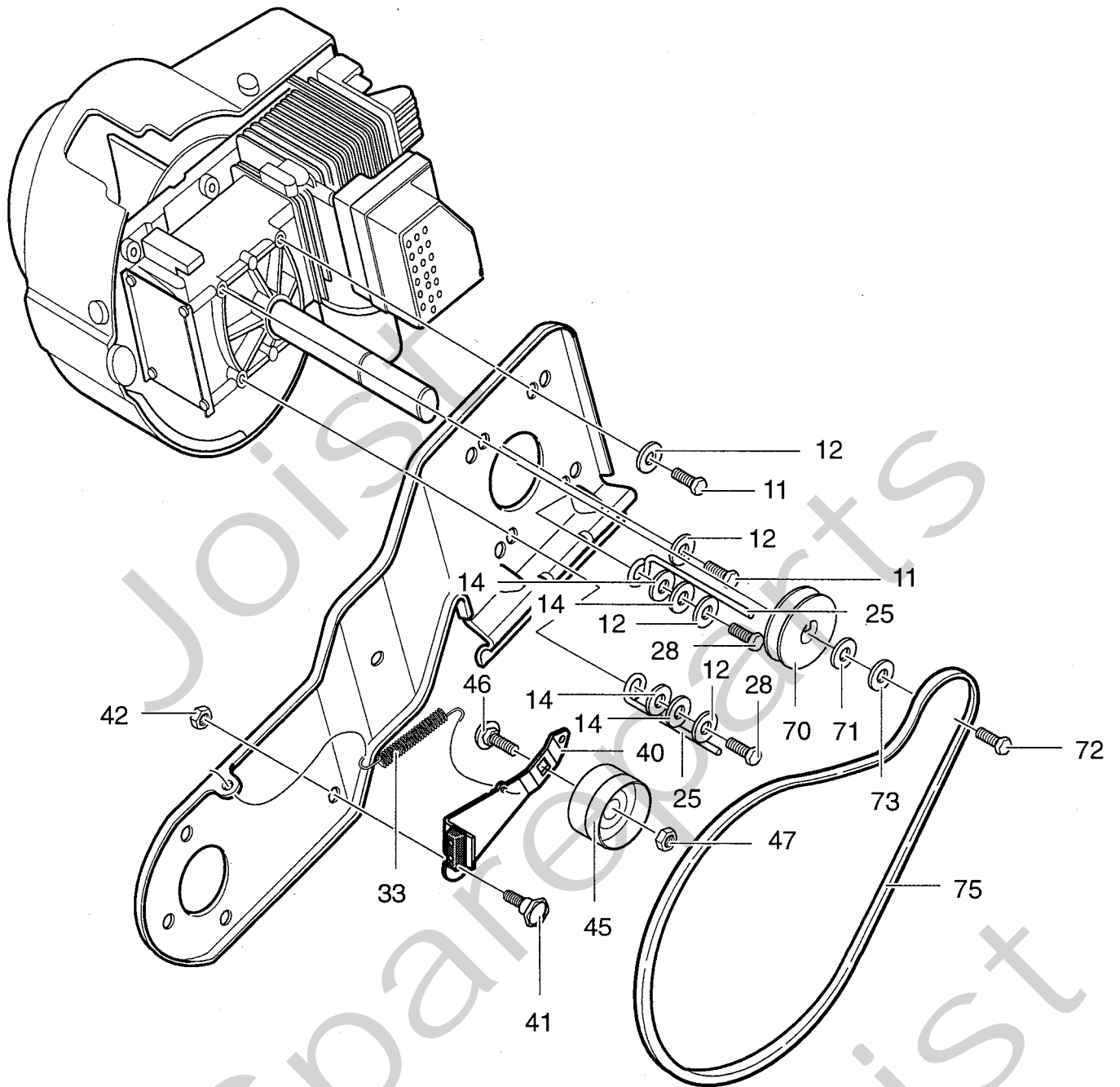
| Utgåva Issue | | Bildnr Picture No | | SNOW STAR- SNOW MAX STYRE STÖDHJUL | | SNOW STAR- SNOW MAX HANDLE SUPPORT WHEELS | | Sida Page | |
|-----------------|----------------|----------------------|--|--|-------------------------|---|-------------|---------------------|--|
| 2003- 59 | | 865A | | | | | | 2 | |
| Pos. Fig. | Antal/Quantity | | | Art nr Part No | Benämning | Description | Sats Kit | Anmärkning Notes | |
| | 2820 | 2821 | | | | | | | |
| 650 | 1 | 1 | | 1133-0958-01 | Hjulaxel..... | Wheel axle..... | | | |
| 651 | 2 | 2 | | 9699-0030-02 | Planbricka..... | Flat washer..... | | | |
| 660 | 2 | 2 | | 1812-1455-01 | Hjul..... | Wheel..... | | | |
| 661 | 2 | 2 | | 9699-0030-02 | Planbricka..... | Flat washer..... | | | |
| 662 | 2 | 2 | | 1133-1021-01 | Låsring..... | Retaining ring..... | | | |
| 740 | 1 | 1 | | 1812-1457-01 | Reglagewire- övre..... | Control cable- upper..... | | | |
| 741 | 1 | 1 | | 1133-0977-01 | Wirefäste..... | Cable adjust bracket..... | | | |
| 742 | 1 | 1 | | 1812-1456-01 | Reglagewire- nedre..... | Control cable- lower..... | | | |
| 743 | 1 | 1 | | 1133-0968-01 | Wirehylsa..... | Clutch spring boot..... | | | |
| 744 | 1 | 1 | | 1812-1670-01 | Fjäder..... | Spring..... | | | |
| 750 | 1 | | | 1133-0984-01 | Styre underdel..... | Lower handle..... | | | |
| 750 | | 1 | | 1812-1492-01 | Styre underdel..... | Lower handle..... | | | |
| 751 | 4 | 4 | | 9988-3532-12 | Skruv..... | Screw..... | | | |
| 752 | 4 | 4 | | 9699-0028-02 | Planbricka..... | Flat washer..... | | | |
| 753 | 4 | 4 | | 1812-0812-01 | Låsmutter..... | Locking nut..... | | | |
| 755 | 1 | 1 | | 1812-1515-01 | Fäste..... | Bracket..... | | | |
| 756 | 1 | 1 | | 1133-0262-01 | Ansatsbult..... | Shoulder bolt..... | | | |
| 757 | 1 | 1 | | 1133-0059-01 | Linhjul..... | Pulley..... | | | |
| 759 | 1 | 1 | | 1812-0812-01 | Låsmutter..... | Locking nut..... | | | |
| 760 | 1 | | | 1133-1009-01 | Styre överdel..... | Upper handle..... | | | |
| 760 | | 1 | | 1812-1527-01 | Styre överdel..... | Upper handle..... | | | |
| 761 | 1 | 1 | | 1133-0972-01 | Inkopplingshandtag..... | Control bail..... | | | |
| 762 | 2 | 2 | | 1133-1017-01 | Skruv..... | Bolt..... | | | |
| 763 | 2 | 2 | | 1133-0933-01 | Kupad bricka..... | Formed washer..... | | | |
| 764 | 2 | 2 | | 1133-0932-01 | Lås ratt..... | T- knob..... | | | |
| 765 | 2 | 2 | | 9795-3631-02 | Mutter..... | Nut..... | | | |
| X 998 | 1 | 1 | | 8218-2203-07 | Bruksanvisning..... | Owner's manual..... | | Ej ill/not ill. | |



| Utgåva Issue | | Bildnr Picture No | | SNOW STAR RAM BRÄNSLETANK | | SNOW STAR FRAME FUEL TANK | | Sida Page | |
|-----------------|----------------|----------------------|--|---------------------------------|--------------------|---------------------------------|-------------|-----------------|---------------------|
| 2003-59 | | 1093 | | | | | | 4 | |
| Pos. Fig. | Antal/Quantity | | | | Art nr Part No | Benämning | Description | Sats Kit | Anmärkning Notes |
| | 2820 | | | | | | | | |
| 80 | 1 | | | 1812-1438-01 | Ramhalva- hö..... | Side frame- R.H..... | | | |
| 81 | 1 | | | 1812-1437-01 | Ramhalva- vä..... | Side frame- L.H..... | | | |
| 90 | 1 | | | 1812-1431-01 | Stödstag | Support rod..... | | | |
| 91 | 2 | | | 9683-0035-02 | Låsbricka | Lock washer | | | |
| 92 | 2 | | | 9795-3731-02 | Mutter..... | Nut | | | |
| 100 | 1 | | | 1133-0941-01 | Tankfäste | Fuel tank bracket | | | |
| 101 | 2 | | | 9988-3519-16 | Skruv | Screw | | | |
| 102 | 2 | | | 1812-0812-01 | Låsmutter | Locking nut | | | |
| 110 | 1 | | | 1133-0954-01 | Bränsletank..... | Fuel tank | | Volym 0.95 lit. | |
| 111 | 4 | | | 1133-0939-01 | Skruv | Screw | | | |
| 112 | 1 | | | 1812-1554-01 | Tanklock | Gas tank cap | | | |
| 113 | 1 | | | 1133-0992-01 | Bränsleslang | Fuel line tubing..... | | | |
| 114 | 2 | | | 1133-0070-01 | Slangklämma..... | Fuel line clamp | | | |



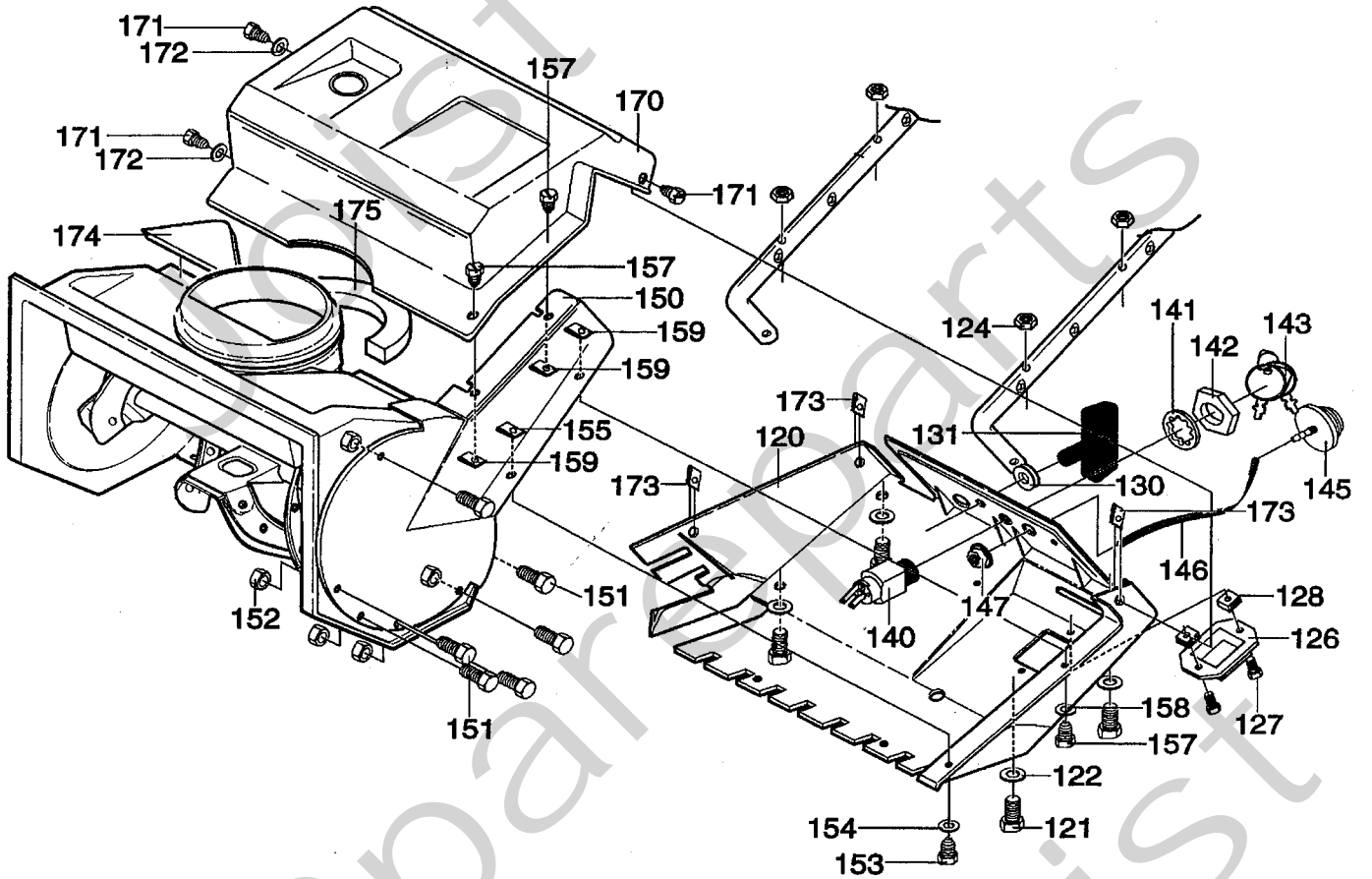
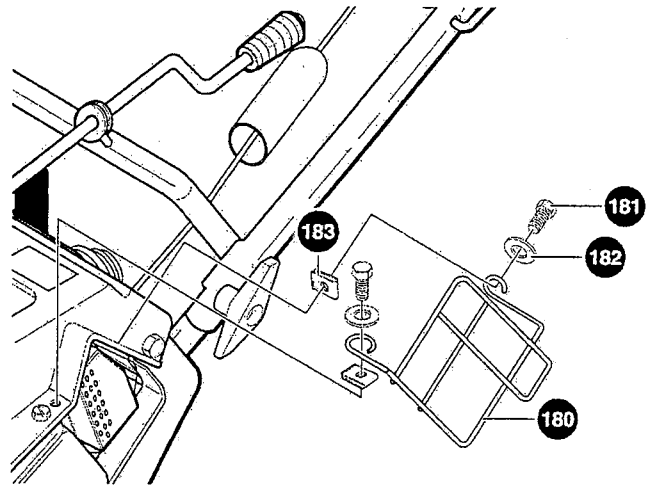
| Utgåva Issue | | Bildnr Picture No | | SNOW MAX RAM BRÄNSLETANK | | SNOW MAX FRAME FUEL TANK | | Sida Page | |
|-----------------|----------------|----------------------|--|--------------------------------|--------------------|--------------------------------|-------------|-----------------|---------------------|
| 2003-59 | | 955A | | | | | | 6 | |
| Pos. Fig. | Antal/Quantity | | | | Art nr Part No | Benämning | Description | Sats Kit | Anmärkning Notes |
| | 2821 | | | | | | | | |
| 80 | 1 | | | 1812-1438-01 | Ramhalva- hö..... | Side frame- R.H..... | | | |
| 81 | 1 | | | 1812-1437-01 | Ramhalva- vä..... | Side frame- L.H..... | | | |
| 90 | 1 | | | 1812-1512-01 | Stödstag..... | Support rod..... | | | |
| 91 | 2 | | | 9683-0035-02 | Låsbricka..... | Lock washer..... | | | |
| 92 | 2 | | | 9795-3731-02 | Mutter..... | Nut..... | | | |
| 100 | 1 | | | 1812-1490-01 | Tankfäste..... | Fuel tank bracket..... | | | |
| 101 | 2 | | | 9988-3519-16 | Skruv..... | Screw..... | | | |
| 102 | 2 | | | 1812-0812-01 | Låsmutter..... | Locking nut..... | | | |
| 107 | 2 | | | 9988-3519-16 | Skruv..... | Screw..... | | | |
| 108 | 4 | | | 9699-0028-02 | Planbricka..... | Flat washer..... | | | |
| 109 | 2 | | | 1812-0812-01 | Låsmutter..... | Locking nut..... | | | |
| 110 | 1 | | | 1812-1489-01 | Bränsletank..... | Fuel tank..... | | Volym 1.42 lit. | |
| 111 | 1 | | | 1812-1565-01 | Tätningring..... | Foam ring..... | | | |
| 112 | 1 | | | 1812-1504-01 | Tanklock..... | Fuel tank cap..... | | | |
| 113 | 1 | | | 1812-1486-01 | Bränsleslang..... | Fuel line tubing..... | | | |
| 114 | 1 | | | 1133-0070-01 | Slangklämma..... | Fuel line clamp..... | | | |
| 116 | 3 | | | 1812-1487-01 | Slangklämma..... | Fuel line clamp..... | | | |
| 117 | 1 | | | 1812-1482-01 | Bränslefilter..... | Fuel filter..... | | | |
| 118 | 1 | | | 1812-1498-01 | Bränsleslang..... | Fuel line tubing..... | | | |



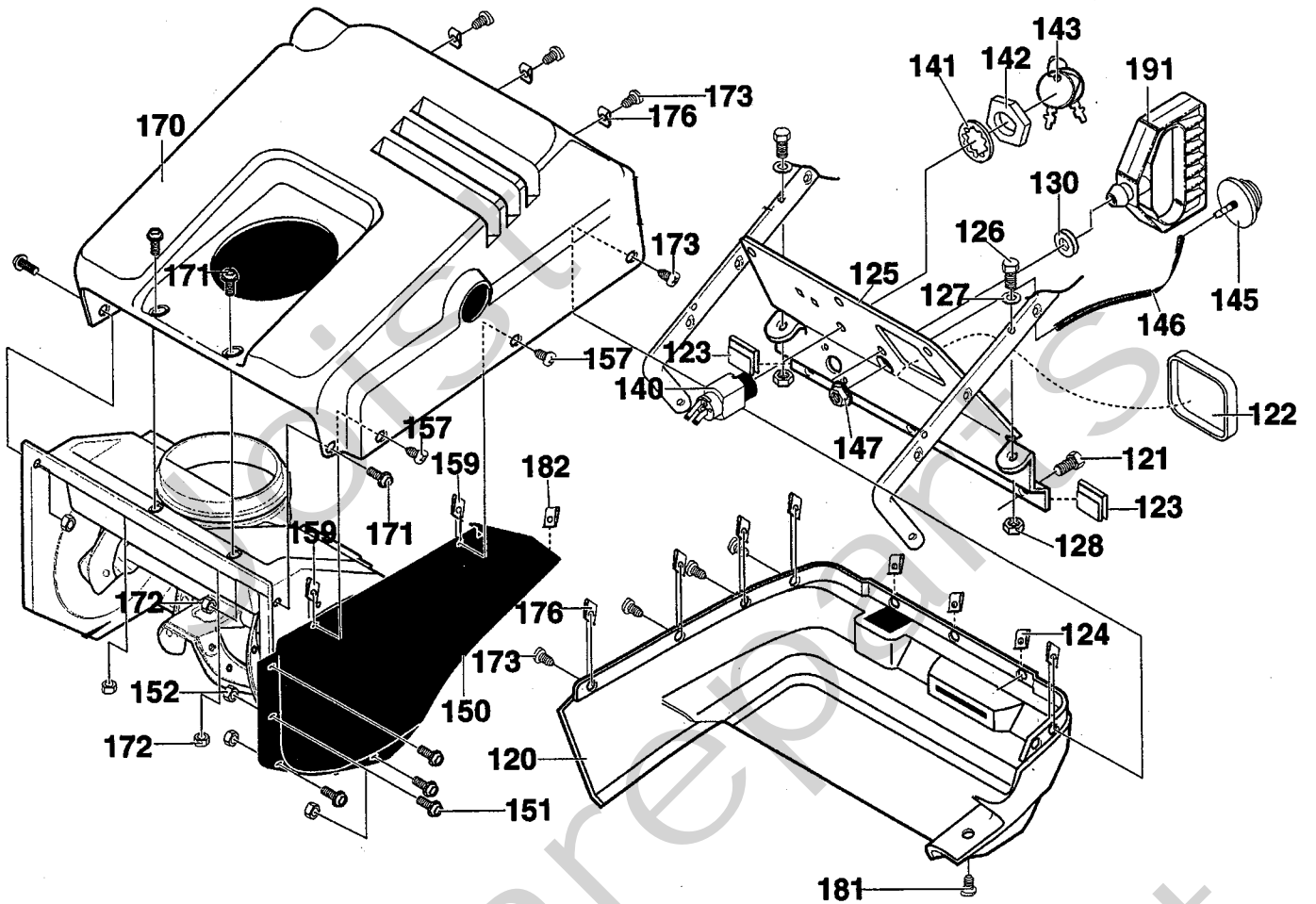
| Utgåva Issue 2003-59 | | Bildnr Picture No 954A | | SNOW STAR- SNOW MAX REMTRANSMISSION MOTOR | | SNOW STAR- SNOW MAX BELT TRANSMISSION ENGINE | | Sida Page 8 | |
|----------------------------|----------------|------------------------------|--|---|---------------------|--|-------------|---------------------|--|
| Pos. Fig. | Antal/Quantity | | | Art nr Part No | Benämning | Description | Sats Kit | Anmärkning Notes | |
| | 2820 | 2821 | | | | | | | |
| 11 | 2 | 2 | | 9988-3619-16 | Skruv | Screw | | | |
| 12 | 4 | 4 | | 1812-1669-01 | Bricka | Washer | | | |
| 14 | 4 | 2 | | 9699-0029-02 | Planbricka | Flat washer | | | |
| 25 | 2 | 2 | | 1133-0976-01 | Remstyrning | Belt guide | | | |
| 28 | 2 | 2 | | 9988-3625-16 | Skruv | Screw | | | |
| 33 | 1 | 1 | | 1812-1671-01 | Fjäder | Spring | | | |
| 40 | 1 | 1 | | 1812-1604-01 | Spännarm | Idler arm | | | |
| 41 | 1 | 1 | | 1812-1829-01 | Ansatsbult | Shoulder bolt | | | |
| 42 | 1 | 1 | | 1812-0811-01 | Låsmutter | Locking nut | | | |
| 45 | 1 | 1 | | 1133-0936-01 | Spännrulle | Idler pulley | | | |
| 46 | 1 | 1 | | 1133-0084-01 | Vagnsbult | Carriage bolt | | | |
| 47 | 1 | 1 | | 9743-3721-32 | Mutter | Nut | | | |
| 70 | 1 | 1 | | 1812-1399-01 | Motorremskiva | Engine pulley | | | |
| 71 | 1 | 1 | | 9699-0062-02 | Planbricka | Flat washer | | | |
| 72 | 1 | 1 | | 9987-5119-16 | Skruv | Screw | | | |
| 73 | 1 | 1 | | 1812-1669-01 | Bricka | Washer | | | |
| 75 | 1 | 1 | | 1812-9025-01 | Drivrem | Drive belt | | | |

X

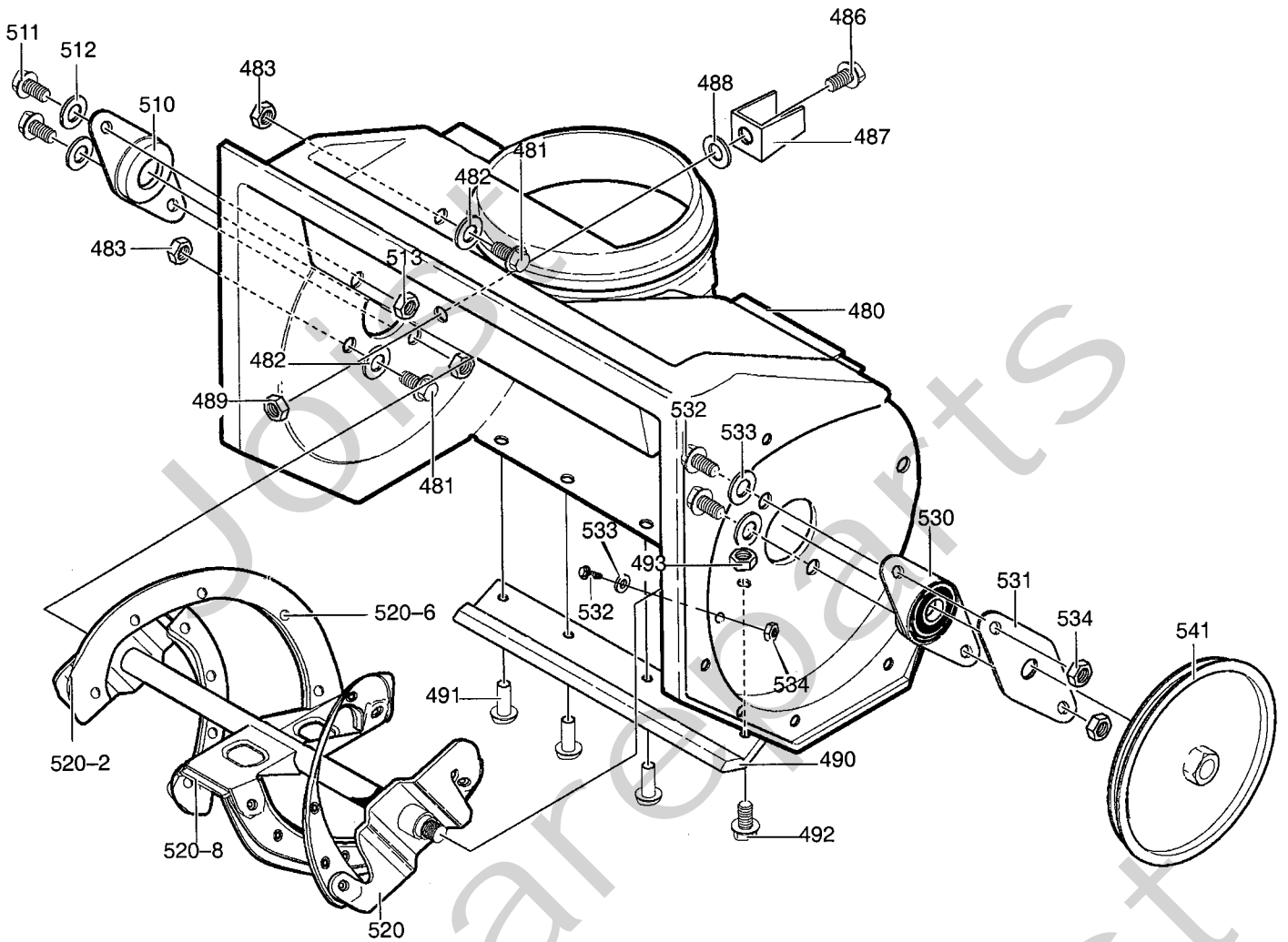
Joist Spareparts



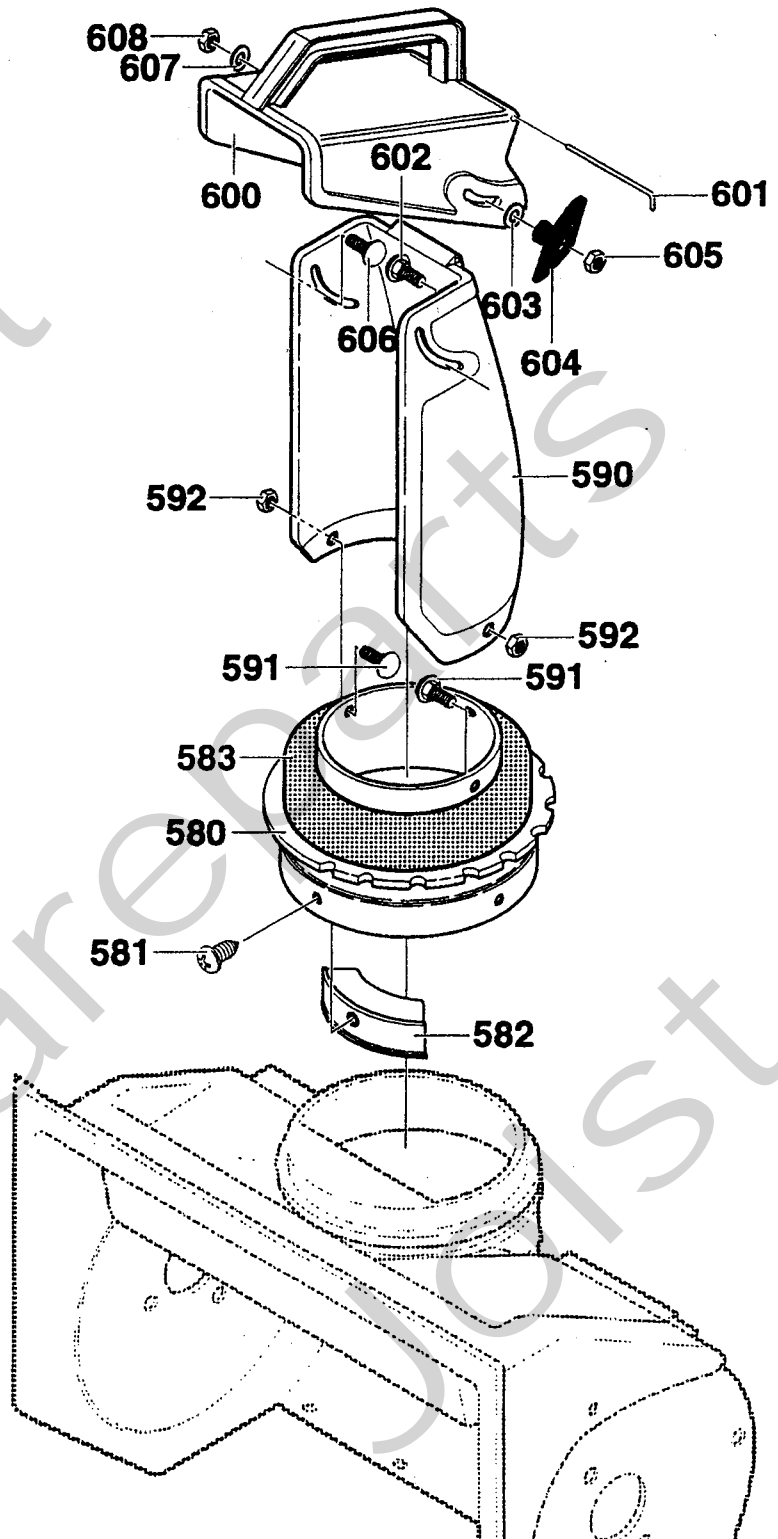
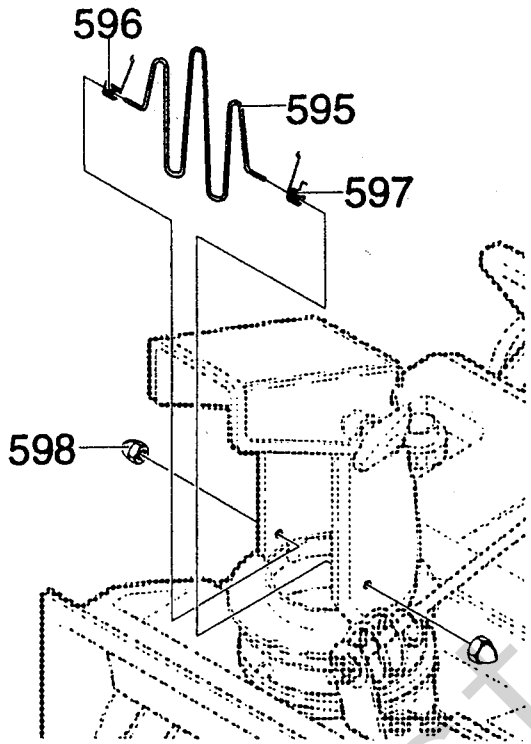
| Utgåva Issue | | Bildnr Picture No | | SNOW STAR KÅPOR | SNOW STAR COVERS | Sida Page | | |
|-----------------|----------------|----------------------|--|--------------------|-----------------------|----------------------------|-------------|---------------------|
| 2003-59 | | 868B | | | | 10 | | |
| Pos. Fig. | Antal/Quantity | | | Art nr Part No | Benämning | Description | Sats Kit | Anmärkning Notes |
| | 2820 | | | | | | | |
| 120 | 1 | | | 1812-1384-01 | Kåpa- nedre | Cover- bottom | | |
| 121 | 4 | | | 9988-3532-12 | Skruv | Screw | | |
| 122 | 4 | | | 9699-0028-02 | Planbricka | Flat washer | | |
| 124 | 4 | | | 1812-0812-01 | Låsmutter | Locking nut | | |
| 126 | 1 | | | 1812-1396-01 | Förgasarlock | Carburettor cover | | |
| 127 | 2 | | | 1133-0955-01 | Skruv | Screw | | |
| 128 | 2 | | | 1133-1026-01 | Snabbmutter | Speed nut | | |
| 130 | 1 | | | 1133-0962-01 | Linhylsa | Grommet & rope guide | | |
| 131 | 1 | | | 1133-0995-01 | Starthandtag | Starter grip | | |
| 140 | 1 | | | 1133-0956-01 | Tändningslås | Ignition switch | | |
| 141 | 1 | | | 1134-2853-01 | Bricka | Washer | | |
| 142 | 1 | | | 1134-2852-01 | Mutter | Nut | | |
| 143 | 1 | | | 1134-2848-01 | Tändningsnyckel | Ignition key | | |
| 145 | 1 | | | 1133-0949-01 | Primernippel | Primer | | |
| 146 | 1 | | | 1133-0930-01 | Primerslang | Primer hose | | |
| 147 | 1 | | | 9795-3531-02 | Mutter | Nut | | |
| 150 | 1 | | | 1133-0957-01 | Remskydd | Belt cover | | |
| 151 | 6 | | | 1812-0959-01 | Bult | Bolt | | |
| 152 | 6 | | | 1812-0630-01 | Mutter | Nut | | |
| 153 | 1 | | | 9988-3516-16 | Skruv | Screw | | |
| 154 | 1 | | | 9699-0028-02 | Planbricka | Flat washer | | |
| 155 | 1 | | | 1133-0942-01 | Mutter | Nut | | |
| 157 | 3 | | | 1133-0955-01 | Skruv | Screw | | |
| 158 | 1 | | | 9699-0028-02 | Planbricka | Flat washer | | |
| 159 | 3 | | | 1133-1026-01 | Snabbmutter | Speed nut | | |
| 170 | 1 | | | 1812-1557-01 | Motorkåpa- övre | Cover- top | | |
| 171 | 3 | | | 1133-0955-01 | Skruv | Screw | | |
| 172 | 2 | | | 9699-0028-02 | Planbricka | Flat washer | | |
| 173 | 3 | | | 1133-1026-01 | Snabbmutter | Speed nut | | |
| 174 | 1 | | | 1133-0952-01 | Tätning | Housing seal strip | | |
| 175 | 1 | | | 1133-0953-01 | Tätning | Chute seal strip | | |
| 180 | 1 | | | 1133-0961-01 | Ljuddämparskydd | Muffler guard | | |
| 181 | 2 | | | 9988-3516-16 | Skruv | Screw | | |
| 182 | 2 | | | 9699-0028-02 | Planbricka | Flat washer | | |
| 183 | 2 | | | 1133-0942-01 | Mutter | Nut | | |



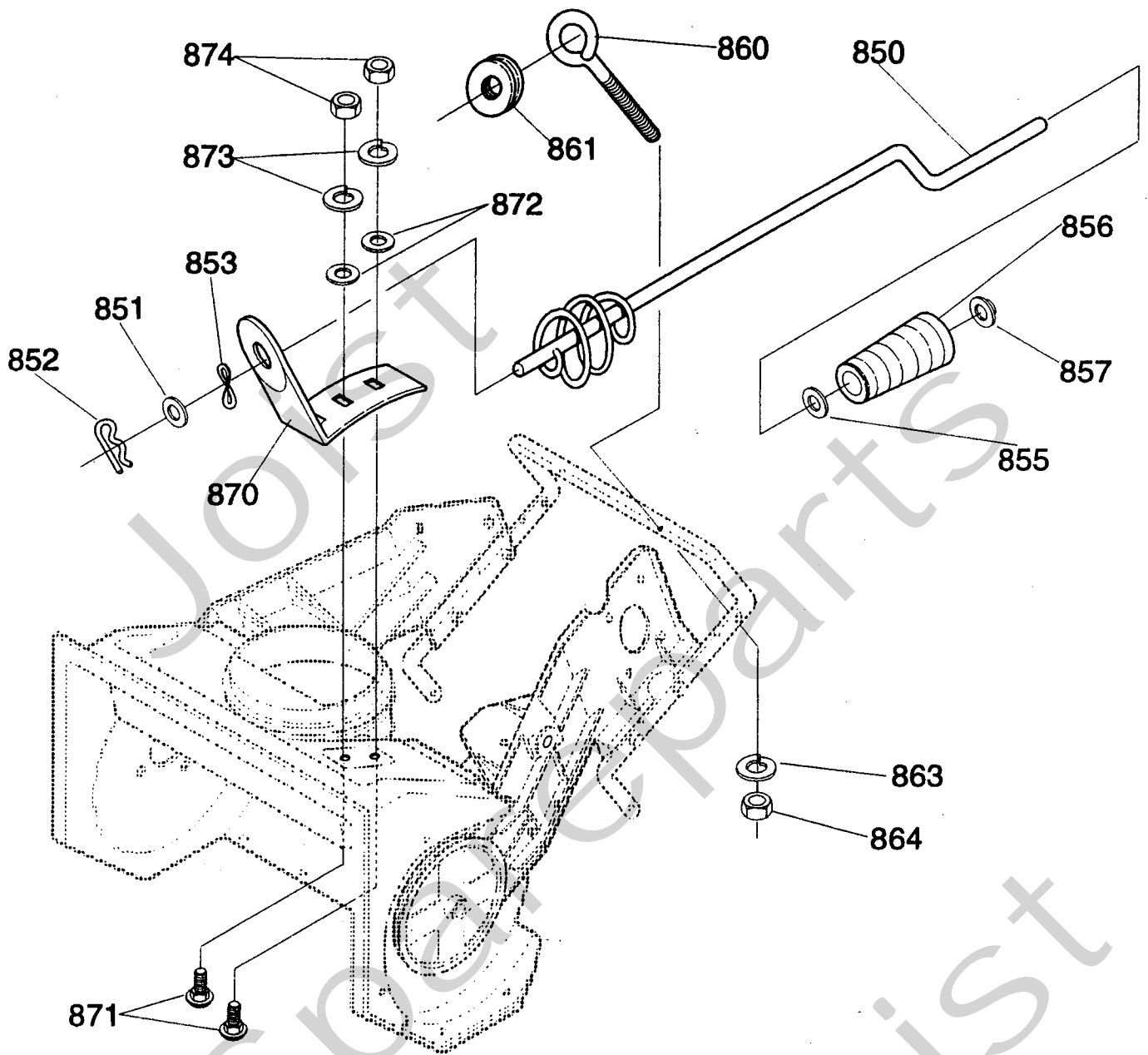
| Utgåva Issue | | Bildnr Picture No | | SNOW MAX KÅPOR | | SNOW MAX COVERS | | Sida Page | |
|-----------------|----------------|----------------------|--|-------------------|-----------------------|----------------------------|-------------|---------------------|--|
| 2003-59 | | 948B | | | | | | 12 | |
| Pos. Fig. | Antal/Quantity | | | Art nr Part No | Benämning | Description | Sats Kit | Anmärkning Notes | |
| | 2821 | | | | | | | | |
| 120 | 1 | | | 1812-1558-01 | Kåpa- nedre | Cover- bottom | | | |
| 121 | 3 | | | 1133-0955-01 | Skruv | Screw | | | |
| 122 | 1 | | | 1812-1516-01 | Lock | Panel | | | |
| 123 | 2 | | | 1812-1684-01 | Snabbmutter | Clip | | | |
| 124 | 3 | | | 1133-1026-01 | Snabbmutter | Speed nut | | | |
| 125 | 1 | | | 1812-1517-01 | Reglagepanel | Control panel | | | |
| 126 | 2 | | | 9988-3532-12 | Skruv | Screw | | | |
| 127 | 2 | | | 9699-0028-02 | Planbricka | Flat washer | | | |
| 128 | 2 | | | 1812-0812-01 | Låsmutter | Locking nut | | | |
| 130 | 1 | | | 1133-0962-01 | Linhylsa | Grommet & rope guide | | | |
| 140 | 1 | | | 1133-0956-01 | Tändningslås | Ignition switch | | | |
| 141 | 1 | | | 1134-2853-01 | Bricka | Washer | | | |
| 142 | 1 | | | 1134-2852-01 | Mutter | Nut | | | |
| 143 | 1 | | | 1134-2848-01 | Tändningsnyckel | Ignition key | | | |
| 145 | 1 | | | 1133-0949-01 | Primernippel | Primer | | | |
| 146 | 1 | | | 1812-1496-01 | Primerslang | Primer hose | | | |
| 147 | 1 | | | 9795-3531-02 | Mutter | Nut | | | |
| 150 | 1 | | | 1812-1502-01 | Remskydd | Belt cover | | | |
| 151 | 4 | | | 1812-0959-01 | Bult | Bolt | | | |
| 152 | 4 | | | 1812-0630-01 | Mutter | Nut | | | |
| 157 | 4 | | | 1133-0955-01 | Skruv | Screw | | | |
| 159 | 4 | | | 1133-1026-01 | Snabbmutter | Speed nut | | | |
| 170 | 1 | | | 1812-1571-01 | Kåpa- övre | Cover- top | | | |
| 171 | 4 | | | 1812-0959-01 | Bult | Bolt | | | |
| 172 | 4 | | | 1812-0630-01 | Mutter | Nut | | | |
| 173 | 9 | | | 1133-0955-01 | Skruv | Screw | | | |
| 176 | 6 | | | 1133-1026-01 | Snabbmutter | Speed nut | | | |
| 181 | 1 | | | 1133-0955-01 | Skruv | Screw | | | |
| 182 | 2 | | | 1133-1026-01 | Snabbmutter | Speed nut | | | |
| 191 | 1 | | | 1812-1555-01 | Starthandtag | Starter handle | | | |



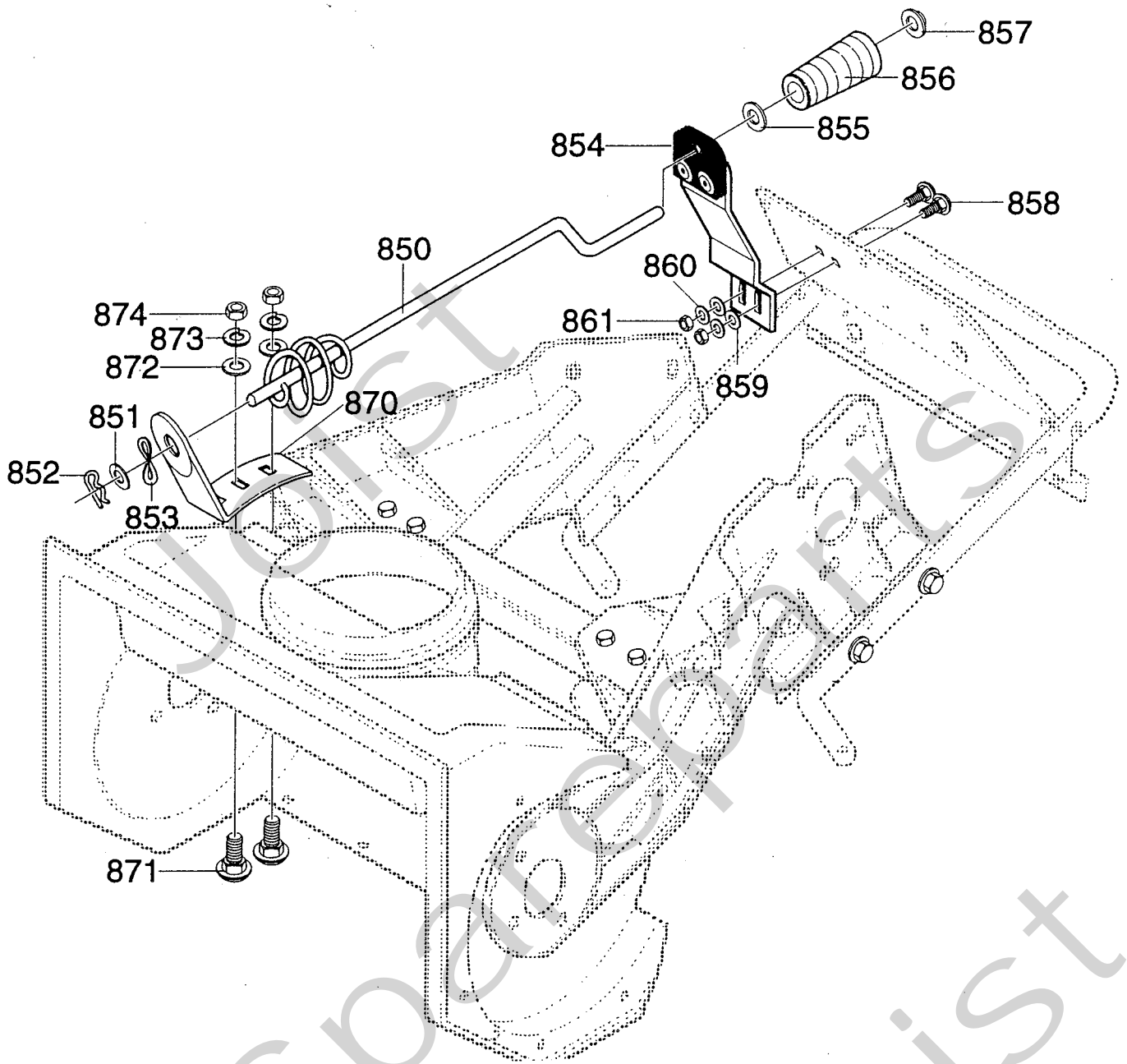
| Utgåva Issue | | Bildnr Picture No | | SNOW STAR- SNOW MAX SNÖSKRUV | SNOW STAR- SNOW MAX AUGER | Sida Page | | |
|-----------------|----------------|----------------------|--|---------------------------------|------------------------------|-----------------------|-------------|---------------------|
| 2003- 59 | | 866C | | | | 14 | | |
| Pos. Fig. | Antal/Quantity | | | Art nr Part No | Benämning | Description | Sats Kit | Anmärkning Notes |
| | 2820 | 2821 | | | | | | |
| 480 | 1 | | | 1133-0994-01 | Snöskruvhus | Auger housing | | |
| 480 | | 1 | | 1812-1503-01 | Snöskruvhus | Auger housing | | |
| 481 | 4 | 4 | | 9988-3519-16 | Skruv | Screw | | |
| 482 | 4 | 4 | | 9699-0028-02 | Planbricka | Flat washer | | |
| 483 | 4 | 4 | | 1812-0812-01 | Låsmutter | Locking nut | | |
| 486 | 1 | | | 9988-3516-16 | Skruv | Screw | | |
| 487 | 1 | | | 1133-0993-01 | Vridstopp | Stop bracket | | |
| 488 | 1 | | | 1812-1556-01 | Bricka | Washer | | |
| 489 | 1 | | | 9743-3521-32 | Mutter | Nut | | |
| 490 | 1 | | | 1133-0999-01 | Skrapskär | Scraper blade | | |
| 490 | | 1 | | 1812-1481-01 | Skrapskär | Scraper blade | | |
| 491 | 3 | 3 | | 1133-1022-01 | Nit | Rivet | | |
| 492 | 1 | 1 | | 9988-3519-16 | Skruv | Screw | | |
| 493 | 1 | 1 | | 1812-0812-01 | Låsmutter | Locking nut | | |
| 510 | 1 | 1 | | 1133-1019-01 | Flänslager | Flange bearing | | |
| 511 | 2 | 2 | | 9988-3525-16 | Skruv | Screw | | |
| 512 | 2 | 2 | | 9699-0028-02 | Planbricka | Flat washer | | |
| 513 | 2 | 2 | | 9727-3541-22 | Mutter | Nut | | |
| 520 | 1 | | | 1133-0966-01 | Snöskruv kpl | Auger assy | | |
| 520 | | 1 | | 1812-1488-01 | Snöskruv kpl | Auger assy | | |
| 520A | 4 | 4 | | 1133-0964-01 | • Snöskruvskär | • Auger blade | | Pos 520- 2 |
| 520B | 20 | 20 | | 1133-0940-01 | • Nit | • Rivet | | Pos 520- 6 |
| 520C | 2 | 2 | | 1133-0960-01 | • Centrumskär | • Centre blade | | Pos 520- 8 |
| 530 | 1 | 1 | | 1133-0947-01 | Lager m. hållare | Bearing & plate | | |
| 531 | 1 | 1 | | 1133-1000-01 | Lagerhållare | Retainer plate | | |
| 532 | 2 | 2 | | 9988-3516-16 | Skruv | Screw | | |
| 533 | 2 | 2 | | 9699-0028-02 | Planbricka | Flat washer | | |
| 534 | 2 | 2 | | 1812-0812-01 | Låsmutter | Locking nut | | |
| 541 | 1 | 1 | | 1812-1400-01 | Remskiva | Pulley | | |



| Utgåva Issue | | Bildnr Picture No | | SNOW STAR- SNOW MAX UTKAST SKYDD | | SNOW STAR- SNOW MAX DISCHARGE CHUTE CHUTE GUARD | | Sida Page | |
|-----------------|----------------|----------------------|--|--|---------------------|---|-------------|---------------------|--|
| 2003- 59 | | 949 | | | | | | 16 | |
| Pos. Fig. | Antal/Quantity | | | Art nr Part No | Benämning | Description | Sats Kit | Anmärkning Notes | |
| | 2820 | 2821 | | | | | | | |
| 580 | 1 | | | 1133-0987-01 | Utkastring | Chute ring | | | |
| 580 | | 1 | | 1812-1491-01 | Utkastring | Chute ring | | | |
| 581 | 4 | 4 | | 1133-1014-01 | Skruv | Screw | | | |
| 582 | 4 | 4 | | 1133-1018-01 | Utkastledplåt | Chute guide | | | |
| 583 | | 1 | | 1812-1564-01 | Tätning | Foam | | | |
| 590 | 1 | 1 | | 1133-1004-01 | Utkaströr | Lower chute | | | |
| 591 | 2 | 2 | | 9899-3516-16 | Skruv | Screw | | | |
| 592 | 2 | 2 | | 1812-0812-01 | Låsmutter | Locking nut | | | |
| 595 | 1 | 1 | | 1133-0970-01 | Utkastskydd | Wire chute guide | | | |
| 596 | 1 | 1 | | 1133-0944-01 | Fjäder | Torsion chute spring | | | |
| 597 | 1 | 1 | | 1133-0945-01 | Fjäder | Torsion chute spring | | | |
| 598 | 2 | 2 | | 1133-0937-01 | Hattlåsning | Acorn nut | | | |
| 600 | 1 | 1 | | 1133-0967-01 | Utkastskärm | Upper chute | | | |
| 601 | 1 | 1 | | 1133-0969-01 | Gångjärnsaxel | Hinge wire | | | |
| 602 | 1 | 1 | | 9899-3632-12 | Skruv | Screw | | | |
| 603 | 1 | 1 | | 9699-0029-02 | Planbricka | Flat washer | | | |
| 604 | 1 | 1 | | 1133-0932-01 | Låsrott | T-knob | | | |
| 605 | 1 | 1 | | 9795-3631-02 | Mutter | Nut | | | |
| 606 | 1 | 1 | | 1133-1023-01 | Skruv | Screw | | | |
| 607 | 1 | 1 | | 9699-0029-02 | Planbricka | Flat washer | | | |
| 608 | 1 | 1 | | 1812-0811-01 | Låsmutter | Locking nut | | | |



| Utgåva Issue | | Bildnr Picture No | | SNOW STAR INSTÄLLINGSVEV | | SNOW STAR CHUTE ROD | | Sida Page | |
|-----------------|----------------|----------------------|--|-----------------------------|-------------------|-------------------------|---------------------------|--------------|---------------------|
| 2003-59 | | 1092 | | | | | | 18 | |
| Pos. Fig. | Antal/Quantity | | | | Art nr Part No | Benämning | Description | Sats Kit | Anmärkning Notes |
| | 2820 | | | | | | | | |
| 850 | 1 | | | | 1133-0989-01 | Inställningsvev..... | Upper chute rod..... | | |
| 851 | 1 | | | | 9699-0035-02 | Planbricka..... | Flat washer..... | | |
| 852 | 1 | | | | 9599-0054-02 | Saxpinne..... | Cotter pin..... | | |
| 853 | 1 | | | | 1133-0973-01 | Kupad fjäderbricka..... | Curved spring washer..... | | |
| 855 | 1 | | | | 9699-0035-02 | Planbricka..... | Flat washer..... | | |
| 856 | 1 | | | | 1133-0959-01 | Handtag..... | Knob..... | | |
| 857 | 1 | | | | 1812-0396-01 | Låsning..... | Retainer..... | | |
| 860 | 1 | | | | 1812-1553-01 | Öglebult..... | Eye bolt..... | | |
| 861 | 1 | | | | 1812-0203-01 | Hylsa..... | Grommet..... | | |
| 863 | 1 | | | | 9683-0035-02 | Låsbricka..... | Lock washer..... | | |
| 864 | 1 | | | | 9743-3721-32 | Mutter..... | Nut..... | | |
| 870 | 1 | | | | 1812-1493-01 | Vevfäste..... | Chute rotation brkt..... | | |
| 871 | 2 | | | | 9899-3622-16 | Skruv..... | Screw..... | | |
| 872 | 2 | | | | 9699-0029-02 | Planbricka..... | Flat washer..... | | |
| 873 | 2 | | | | 9683-0030-02 | Låsbricka..... | Lock washer..... | | |
| 874 | 2 | | | | 9795-3631-02 | Mutter..... | Nut..... | | |



| Utgåva Issue | | Bildnr Picture No | | SNOW MAX INSTÄLLINGSVEV | | SNOW MAX CHUTE ROD | | Sida Page | |
|-----------------|----------------|----------------------|--|----------------------------|-------------------|-------------------------|----------------------------|--------------|---------------------|
| 2003-59 | | 953 | | | | | | 20 | |
| Pos. Fig. | Antal/Quantity | | | | Art nr Part No | Benämning | Description | Sats Kit | Anmärkning Notes |
| | 2821 | | | | | | | | |
| 850 | 1 | | | | 1812-1500-01 | Inställningsvev..... | Chute rod | | |
| 851 | 1 | | | | 9699-0035-02 | Planbricka..... | Flat washer..... | | |
| 852 | 1 | | | | 9599-0054-02 | Saxpinne..... | Cotter pin | | |
| 853 | 1 | | | | 1133-0973-01 | Kupad fjäderbricka..... | Curved spring washer | | |
| 854 | 1 | | | | 1812-1495-01 | Fäste | Chute crank bracket | | |
| 855 | 1 | | | | 9699-0035-02 | Planbricka..... | Flat washer..... | | |
| 856 | 1 | | | | 1133-0959-01 | Handtag | Knob | | |
| 857 | 1 | | | | 1812-0396-01 | Låsning | Retainer | | |
| 858 | 2 | | | | 9899-3516-16 | Skruv | Screw | | |
| 859 | 2 | | | | 9699-0028-02 | Planbricka..... | Flat washer..... | | |
| 860 | 2 | | | | 9683-0030-02 | Låsbricka | Lock washer..... | | |
| 861 | 2 | | | | 9795-3531-02 | Mutter..... | Nut | | |
| 870 | 1 | | | | 1812-1493-01 | Vevfäste..... | Chute rotation brkt..... | | |
| 871 | 2 | | | | 9899-3622-16 | Skruv | Screw | | |
| 872 | 2 | | | | 9699-0029-02 | Planbricka..... | Flat washer..... | | |
| 873 | 2 | | | | 9683-0030-02 | Låsbricka | Lock washer..... | | |
| 874 | 2 | | | | 9795-3631-02 | Mutter..... | Nut | | |