

Genuine Spare Parts

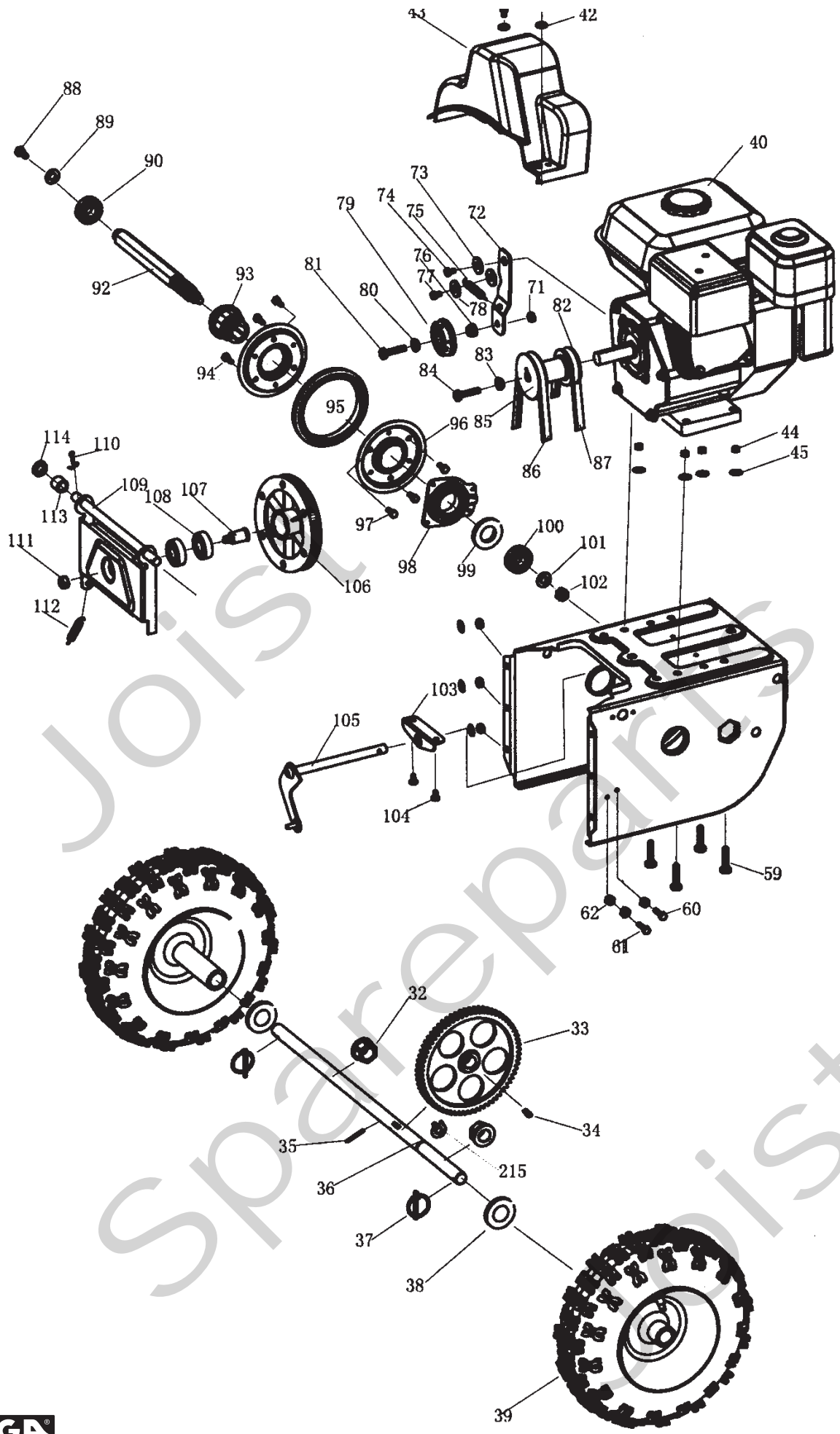


Joist
Spareparts
Joist

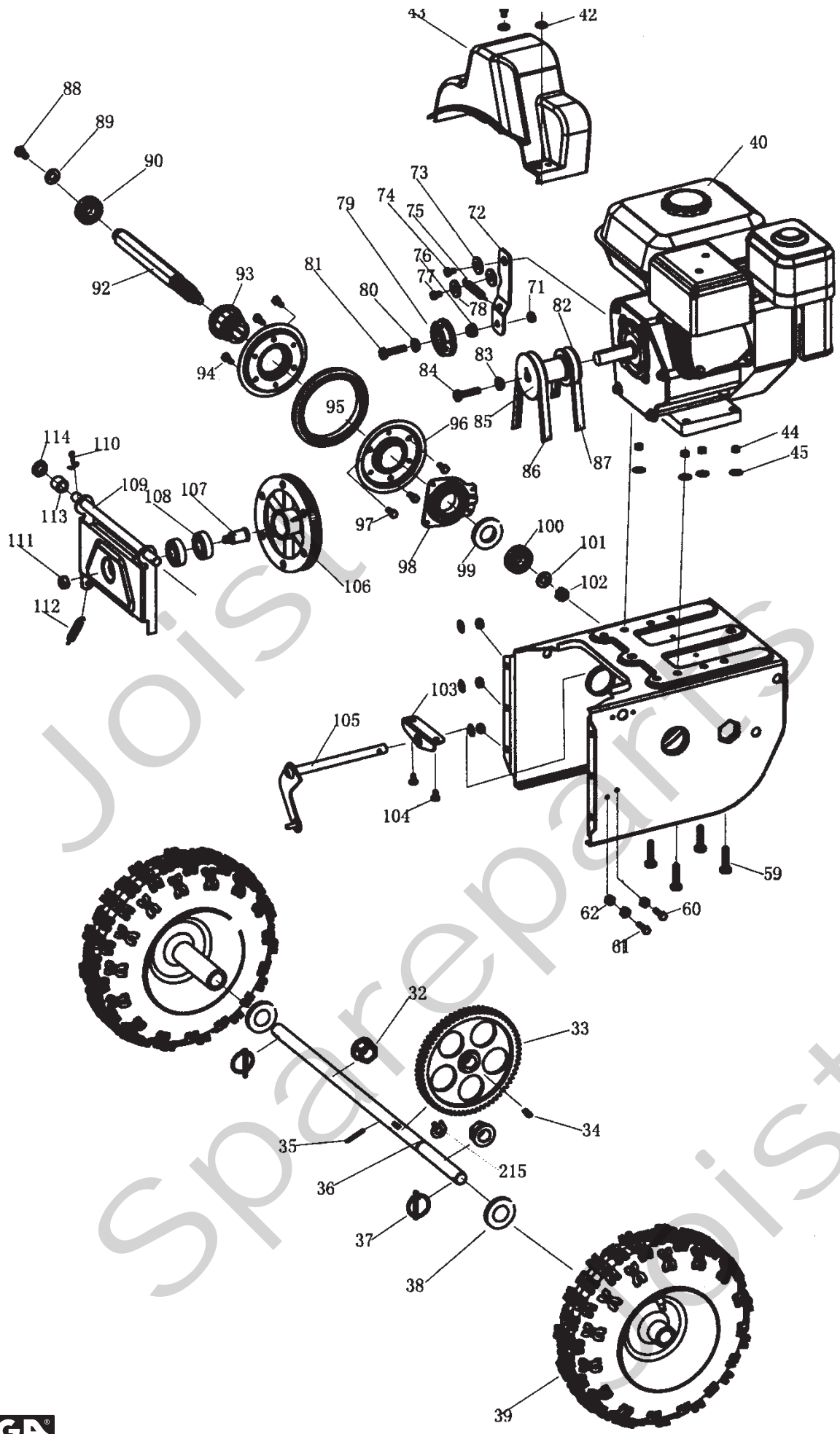


Joist
Spareparts
Joist

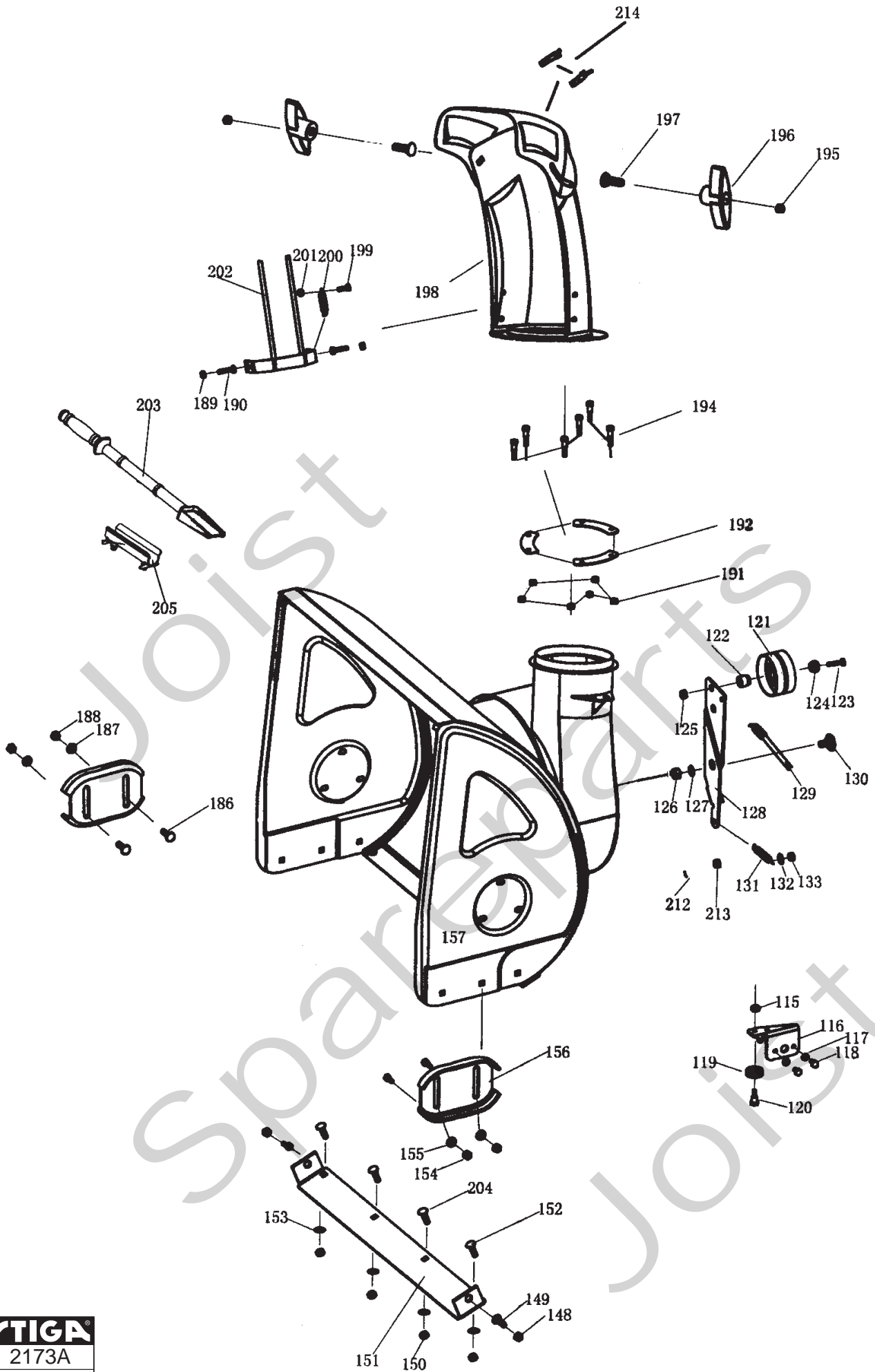
Utgåva Issue 2008- 14		Bildnr Picture No 2171A		SNOW CUBE SNOW CRYSTAL STYRE		SNOW CUBE SNOW CRYSTAL HANDLE		Sida Page 14	
Pos. Fig.	Antal/Quantity			Art nr Part No	Benämning	Description	Sats Kit	Anmärkning Notes	
	2803 -29	2814 -29							
1	1	1		1811-2557-01	Styre.....	Handle.....			
2	2	2		9747-0831-02	Mutter.....	Lock nut.....			
3	1	1		1811-2567-01	Inkoppl.handtag- vä.....	Clutch handle- LH.....			
4	2	2		1811-2472-01	Gummiskydd.....	Rubber cap.....			
5	2	2		9997-0845-12	Skruv.....	Screw.....			
6	1	1		1811-2570-01	Panel- gul.....	Dashboard- yellow.....			
7	4	4		1811-2400-01	Skruv.....	Screw.....			
8	2	2		1811-2458-01	Justerstång.....	Adjustment rod.....			
9	2	2		9799-0531-02	Mutter.....	Nut.....			
10	1	1		1811-2456-01	Reglagewire.....	Control cable.....			
11	1	1		1811-2566-01	Inkoppl.handtag- hö.....	Clutch handle- RH.....			
13	1	1		9747-0831-02	Mutter.....	Lock nut.....			
14	1			1811-2459-01	Reglagewire.....	Control cable.....			
14		1		1811-2554-01	Reglagewire.....	Control cable.....			
15	1	1		9787-0831-32	Mutter.....	Nut.....			
16	1	1		1811-2468-01	Ögla.....	Eye bolt.....			
17	1	1		1811-2469-01	Gummihylsa.....	Rubber sleeve.....			
18	1	1		1811-2563-01	Växelspak.....	Gear lever.....			
19	2	2		9739-0631-22	Mutter.....	Nut.....			
20	2	2		9997-0620-16	Skruv.....	Screw.....			
21	1	1		9739-0631-22	Mutter.....	Nut.....			
22	1	1		9997-0620-16	Skruv.....	Screw.....			
23	1	1		1811-2482-01	Växelarm.....	Gear rod.....			
24	1	1		9997-0625-16	Skruv.....	Screw.....			
25	4	4		9747-0631-02	Låsmutter.....	Lock nut.....			
26	4	4		9997-0635-12	Skruv.....	Screw.....			
27	1	1		1811-2565-01	Växellägesplåt.....	Gear select plate.....			
28	2			9997-0840-16	Skruv.....	Screw.....			
28		2		9930-0840-16	Skruv.....	Screw.....			
29	2	2		1811-2453-01	Styresbricka.....	Handle washer.....			
30	2	2		9699-0062-02	Planbricka.....	Flat washer.....			
31	2	2		9997-0820-16	Skruv.....	Screw.....			
46	2	2		1811-2476-01	Ansatsbult.....	Shoulder bolt.....			
47	2	2		1811-2440-01	Wirerulle.....	Wire pulley.....			
48	1	1		1811-2439-01	Fäste- gul.....	Bracket- yellow.....			
49	2	2		9699-0025-02	Planbricka.....	Washer.....			
50	2	2		9997-0612-16	Skruv.....	Screw.....			
51	2	2		9739-0631-22	Mutter.....	Nut.....			
52	1	1		1811-2437-01	Fäste- gul.....	Bracket- yellow.....			
53	2	2		1811-2440-01	Wirerulle.....	Wire pulley.....			
54	2	2		9997-0612-16	Skruv.....	Screw.....			
55	2	2		9699-0025-02	Planbricka.....	Washer.....			
56	6	6		9747-0831-02	Mutter.....	Lock nut.....			
57	6	6		9699-0028-02	Planbricka.....	Flat washer.....			
58	1	1		1811-2487-01	Chassi- gul.....	Chassis- yellow.....			
63	1	1		9997-0610-16	Skruv.....	Screw.....			
64	1	1		9699-0025-02	Planbricka.....	Washer.....			
65	1	1		1811-2442-01	Handtag.....	Grip.....			
66	2	2		9997-0610-16	Skruv.....	Screw.....			
67	2	2		9699-0025-02	Planbricka.....	Washer.....			
68	1	1		1811-2486-01	Bottenplåt- gul.....	Bottom plate- yell.....			
69	4	4		9699-0025-02	Planbricka.....	Washer.....			
70	4	4		9997-0610-16	Skruv.....	Screw.....			
141	1	1		1811-2467-01	Inställningsvev.....	Crank.....			
142	1	1		1811-2431-01	Bussning.....	Bushing.....			
143	1	1		9599-0054-02	Saxpinne.....	Cotter pin.....			
144	2	2		9898-0820-16	Skruv.....	Screw.....			
145	1	1		1811-2430-01	Fäste- gul.....	Bracket- yellow.....			
146	2	2		9747-0831-02	Mutter.....	Lock nut.....			
147	2	2		9699-0056-02	Planbricka.....	Flat washer.....			
193	4	4		9699-0072-02	Bricka.....	Washer.....			
216	1	1		9699-0029-02	Planbricka.....	Flat washer.....			
999	1	1		8218-2234-80	Bruksanvisning.....	Owner's manual.....		Ej ill/not ill.	



Utgåva Issue 2008-14		Bildnr Picture No 2172A		SNOW CUBE SNOW CRYSTAL TRANSMISSION		SNOW CUBE SNOW CRYSTAL TRANSMISSION		Sida Page 16	
Pos. Fig.	Antal/Quantity				Art nr Part No	Benämning	Description	Sats Kit	Anmärkning Notes
	2803 -29	2814 -29							
32	2	2			1811-2452-01	Hjulaxelbussning	Wheel shaft bushing		
33	1	1			1811-2421-01	Drev	Gear		
34	2	2			1811-2406-01	Kil	Key		
35	1	1			9595-0212-00	Spännstift	Locating pin		
36	1				1811-2441-01	Hjulaxel	Wheel shaft		
36		1			1811-2550-01	Hjulaxel	Wheel shaft		
37	2	2			1811-2478-01	Fjäderpinne	Spring pin		
38	2	2			1811-2407-01	Planbricka	Flat washer		
39	2				1811-2408-01	Hjul kpl	Wheel assy		
39		2			1811-2541-01	Hjul kpl	Wheel assy		13" (4.10 - 6) 15"
40	1	1			1811-2496-01	Motor kpl	Engine assy		
41	2	2			9997-0610-16	Skruv	Screw		
42	2	2			9699-0025-02	Planbricka	Washer		
43	1	1			1811-2455-01	Remskydd	Belt cover		
44	4	4			9747-0831-02	Mutter	Lock nut		
45	4	4			9699-0028-02	Planbricka	Flat washer		
59	4	4			9997-0835-12	Skruv	Screw		
60	1	1			9997-0630-12	Skruv	Screw		
61	1	1			9997-0620-16	Skruv	Screw		
62	3	3			9739-0631-22	Mutter	Nut		
71	1	1			9747-0631-02	Låsmutter	Lock nut		
72	1	1			1811-2470-01	Spännarm	Tension arm		
73	1	1			1811-2559-01	Spännarmsbricka	Tension washer		
74	1	1			9997-0820-16	Skruv	Screw		
75	1	1			1811-2555-01	Fjäder	Spring		
76	1	1			1811-2575-01	Bricka	Washer		
77	1	1			9997-0812-16	Skruv	Screw		
78	2	2			9699-0028-02	Planbricka	Flat washer		
79	1	1			1811-2574-01	Spännrulle kpl	Tension pulley		
80	1	1			1811-2427-01	Bricka	Washer		
81	1	1			9997-0830-16	Skruv	Screw		
82	1	1			1811-2473-01	Remskiva	Belt pulley		
83	1	1			1811-2542-01	Planbricka	Plain cushion		
84	1	1			9987-5125-16	Skruv	Screw		
85	1				1811-2474-01	Remskiva	Belt pulley		
85		1			1811-2560-01	Remskiva	Main belt pulley		
86	1				1811-2409-01	Drivrem	Belt		
86		1			1811-2543-01	Drivrem	Belt		
87	1	1			1811-2410-01	Drivrem	Belt		
88	1	1			9997-0816-16	Skruv	Screw		
89	3	3			9699-0122-02	Bricka	Washer		
90	1	1			1811-2411-01	Lager	Bearing		
92	1	1			1811-2423-01	Sexkantsaxel	Hex shaft		
93	1	1			1811-2435-01	Nav	Hub		
94	3	3			9997-0612-16	Skruv	Screw		
95	1	1			1811-2436-01	Friktionsring	Friction ring		
96	2	2			1811-2433-01	Friktionshjul	Friction wheel		
97	3	3			9997-0612-16	Skruv	Screw		
98	1	1			1811-2434-01	Växelförare	Gear selector hub		
99	1	1			1811-2412-01	Låsring	Lock ring		
100	1	1			1811-2413-01	Lager	Bearing		
101	1	1			9699-0035-02	Planbricka	Flat washer		
102	1	1			9747-1031-02	Låsmutter	Lock nut		
103	1	1			1811-2420-01	Fäste	Bracket		
104	2	2			9997-0610-16	Skruv	Screw		
105	1	1			1811-2465-01	Växelförararm	Gear lever		
106	1	1			1811-2428-01	Drivskiva	Drive pulley		
107	1	1			1811-2429-01	Axeltapp	Shaft		
108	2	2			1811-2414-01	Lager	Bearing		
109	1	1			1811-2424-01	Fäste- drivskiva	Bracket- drive pulley		
110	1	1			9599-0054-02	Saxpinne	Cotter pin		
111	1	1			9747-1031-02	Låsmutter	Lock nut		
112	1	1			1811-2483-01	Fjäder	Spring		



Utgåva Issue 2008-14		Bildnr Picture No 2172A		SNOW CUBE SNOW CRYSTAL TRANSMISSION		SNOW CUBE SNOW CRYSTAL TRANSMISSION		Sida Page 18	
Pos. Fig.	Antal/Quantity			Art nr Part No	Benämning	Description	Sats Kit	Anmärkning Notes	
	2803 -29	2814 -29							
113	1	1		1811-2489-01	Hylsa	Collar			
114	1	1		9699-0037-02	Bricka	Washer			
215	1	1		9650-0019-04	Låsring	Retainer ring			



Utgåva Issue 2008-14		Bildnr Picture No 2173A		SNOW CUBE SNOW CRYSTAL INMATNINGSHUS		SNOW CUBE SNOW CRYSTAL AUGER HOUSING		Sida Page 20	
Pos. Fig.	Antal/Quantity			Art nr Part No	Benämning	Description	Sats Kit	Anmärkning Notes	
	2803 -29	2814 -29							
115	1	1		9747-0631-02	Låsmutter	Lock nut			
116	1	1		1811-2438-01	Fäste- gul	Bracket- yellow			
117	2	2		9699-0025-02	Planbricka	Washer			
118	2	2		9997-0610-16	Skruv	Screw			
119	1	1		1811-2440-01	Wirerulle	Wire pulley			
120	1	1		1811-2476-01	Ansatsbult	Shoulder bolt			
121	1	1		1811-2425-01	Spännrulle m.lager	Tension roller w.bear			
122	1	1		1811-2426-01	Distans	Spacer			
123	1	1		9997-0845-12	Skruv	Screw			
124	1	1		1811-2427-01	Bricka	Washer			
125	1	1		9747-0831-02	Mutter	Lock nut			
126	1	1		9747-1031-02	Låsmutter	Lock nut			
127	1	1		9699-0035-02	Planbricka	Flat washer			
128	1	1		1811-2448-01	Spännarm	Tension arm			
129	1	1		1811-2457-01	Fjäder	Spring			
130	1	1		1811-2475-01	Skruv	Screw			
131	1	1		1811-2462-01	Fjäder	Spring			
132	1	1		9699-0028-02	Planbricka	Flat washer			
133	1	1		9747-0831-02	Mutter	Lock nut			
148	2	2		9747-0831-02	Mutter	Lock nut			
149	2	2		9898-0820-16	Skruv	Screw			
150	4	4		9747-0831-02	Mutter	Lock nut			
151	1			1811-2548-01	Skrapskär	Shave plate			
151		1		1811-2549-01	Skrapskär	Shave plate			
152	2	2		9898-0820-16	Skruv	Screw			
153	4	4		9699-0056-02	Planbricka	Flat washer			
154	2	2		9747-0831-02	Mutter	Lock nut			
155	2	2		9699-0056-02	Planbricka	Flat washer			
156	2	2		1811-2568-01	Släpsko	Skid shoe			
157	1			1811-2488-01	Snöskruvhus- gul	Auger housing- yellow			
157		1		1811-2564-01	Snöskruvhus- gul	Auger housing- yellow			
186	4	4		9898-0820-16	Skruv	Screw			
187	2	2		9699-0056-02	Planbricka	Flat washer			
188	2	2		9747-0831-02	Mutter	Lock nut			
189	2	2		9747-0631-02	Låsmutter	Lock nut			
190	2	2		9997-0616-16	Skruv	Screw			
191	6	6		9747-0631-02	Låsmutter	Lock nut			
192	3	3		1811-2445-01	Flänsbricka	Chute washer			
194	6	6		1811-2551-01	Skruv	Screw			
195	2	2		9747-0831-02	Mutter	Lock nut			
196	2	2		1811-2498-01	Låsratt	Locking knob			
197	2	2		9898-0825-16	Skruv	Screw			
198	1	1		1811-2571-01	Utkaströr	Chute			
199	1	1		9997-0620-16	Skruv	Screw			
200	1	1		1811-2461-01	Fjäder	Spring			
201	1	1		9747-0631-02	Låsmutter	Lock nut			
202	1	1		1811-2432-01	Utkastskydd	Chute guard			
203	1	1		1811-2500-01	Rensdon	Cleaner stick			
204	2	2		9898-0820-16	Skruv	Screw			
205	1	1		1811-2572-01	Fäste- rensdon	Cleaner stick bracket			
212		1		1811-2553-01	Brytbult	Shear bolt			
213		1		1811-2546-01	Låsmutter	Lock nut			
214	2	2		1811-2547-01	Gummiblock	Rubber block			

Utgåva Issue 2008-14		Bildnr Picture No 2174B		SNOW CUBE SNOW CRYSTAL SNÖSKRUV		SNOW CUBE SNOW CRYSTAL AUGER		Sida Page 22	
Pos. Fig.	Antal/Quantity			Art nr Part No	Benämning	Description	Sats Kit	Anmärkning Notes	
	2803 -29	2814 -29							
12	1	1		9997-0510-16	Skruv.....	Screw.....			
134	1	1		9997-0820-16	Skruv.....	Screw.....			
135	1	1		9699-0056-02	Planbricka.....	Flat washer.....			
136	1			1811-2464-01	Remskiva.....	Belt pulley.....			
136		1		1811-2556-01	Remskiva.....	Belt pulley.....			
137	3	3		9747-0831-02	Mutter.....	Lock nut.....			
138	1	1		1811-2422-01	Lagerskål.....	Bearing cover.....			
139	1	1		9600-0170-00	Plattkil.....	Flat key.....			
140	1	1		1811-2415-01	Lager.....	Bearing.....			
158	1			1811-2447-01	Snöskruvaxel.....	Auger shaft.....			
158		1		1811-2552-01	Snöskruvaxel.....	Auger shaft.....			
159	1	1		1811-2416-01	Kil.....	Key.....			
160	2	2		9747-0831-02	Mutter.....	Lock nut.....			
161	1	1		1811-9012-01	Brytbultsats.....	Shear bolt kit.....		Inkl. pos 160	
162	1			1811-2480-01	Snöskruv- vä.....	Auger- LH.....			
162		1		1811-2561-01	Snöskruv- vä.....	Auger- LH.....			
163	1	1		1811-2443-01	Axelbussning.....	Shaft bushing.....			
164	2	2		1811-2418-01	Planbricka.....	Flat washer.....			
165	2	2		1811-2444-01	Axelbussning.....	Shaft bushing.....			
166	2	2		1811-2449-01	Lagerfäste.....	Bearing cover.....			
167	6	6		9699-0028-02	Planbricka.....	Flat washer.....			
168	6	6		9997-0812-16	Skruv.....	Screw.....			
169	1			1811-2479-01	Snöskruv- hö.....	Auger- RH.....			
169		1		1811-2562-01	Snöskruv- hö.....	Auger- RH.....			
170	6	6		9997-0620-16	Skruv.....	Screw.....			
171	7	7		9683-0025-02	Låsbricka.....	Lock washer.....			
172	7	7		9699-0025-02	Planbricka.....	Washer.....			
173	1	1		1811-2463-01	Snäckdrev.....	Worm wheel.....			
174	1	1		1811-2484-01	Snäckväxelhus- vä.....	Gear housing- LH.....			
175	1	1		1811-2490-01	Bussning.....	Bushing.....			
176	4	4		1811-2443-01	Axelbussning.....	Shaft bushing.....			
177	1	1		1811-2485-01	Snäckväxelhus- hö.....	Gear housing- RH.....			
178	1	1		1811-2402-01	Lager.....	Bearing.....			
179	1	1		1811-2454-01	Fläktaxel.....	Fan shaft.....			
180	1	1		1811-2403-01	Lager.....	Bearing.....			
181	1	1		1811-2404-01	Trycklager.....	Thrust bearing.....			
182	1	1		1811-2405-01	Tätningring.....	Seal ring.....			
183	2	2		9595-0258-00	Spännstift.....	Locating pin.....			
184	1	1		1811-2477-01	Bricka.....	Washer.....			
185	1	1		1811-2419-01	Fläkt.....	Fan.....			
206	1	1		1811-2569-01	Packning.....	Gasket.....			
207	1	1		9997-0625-16	Skruv.....	Screw.....			
210	1	1		1811-2544-01	Smörjnippel.....	Grease filling joint.....			
211	1	1		1811-2545-01	Packning.....	Wave gasket.....			
217	1	1		1811-2405-01	Oljetätning.....	Oil seal.....			