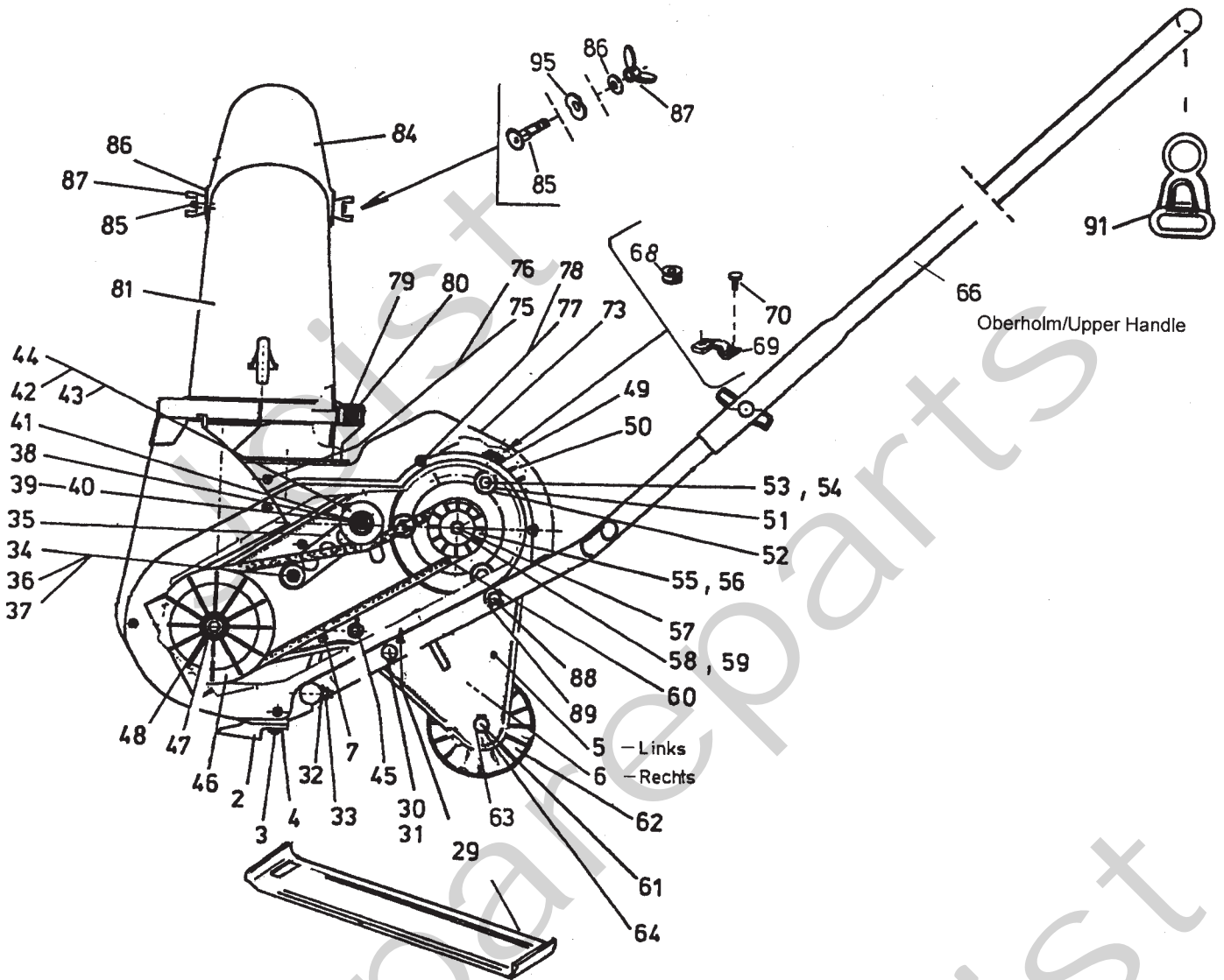


# Genuine Spare Parts

---



Spareparts  
Joist



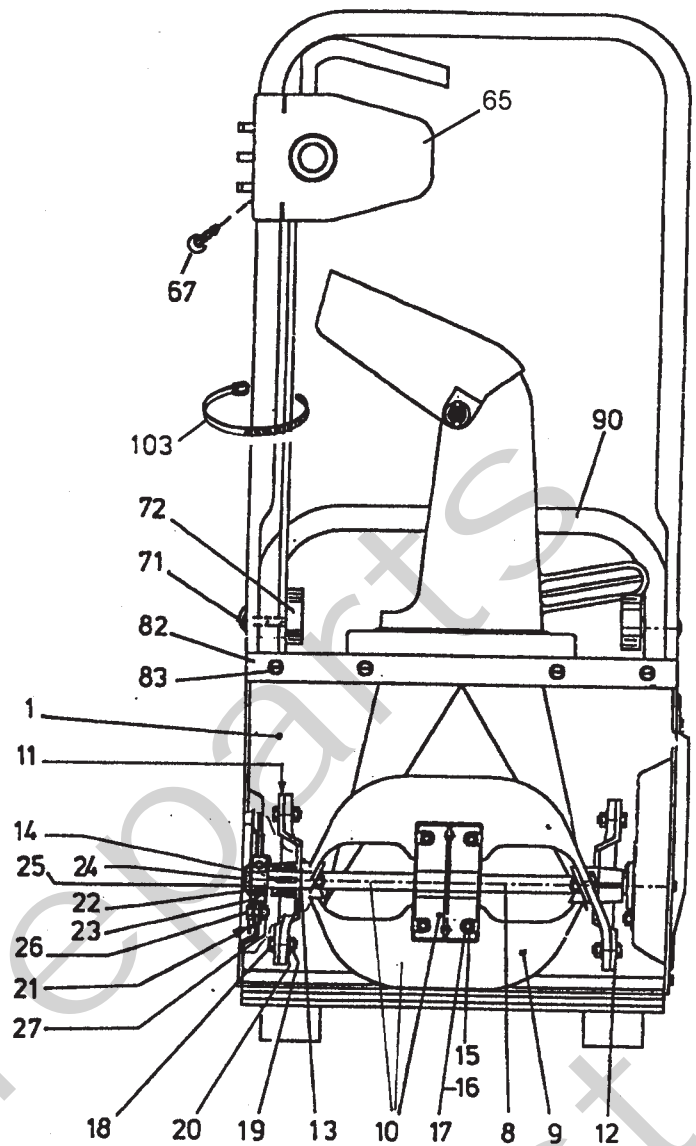
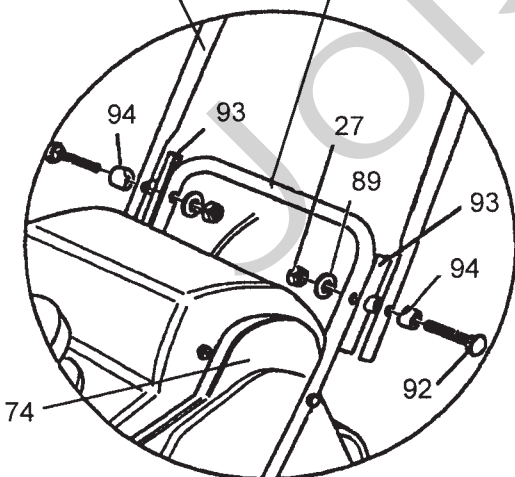
Utgåva Issue		Bildnr Picture No		SNOW ELECTRIC	SNOW ELECTRIC	Sida Page		
2005-14		1771				2		
Pos. Fig.	Antal/Quantity			Art nr Part No	Benämning	Description	Sats Kit	Anmärkning Notes
	2808							
2	1			1811-2109-01	Skrapskär .....	Shave plate .....		
3	3			9836-9216-12	Skruv .....	Screw .....		
4	3			9699-0021-02	Bricka .....	Washer .....		
5	1			1811-2129-01	Ram- vä .....	Frame- LH .....		
6	1			1811-2130-01	Ram- hö .....	Frame- RH .....		
7	4			9847-7919-16	Skruv .....	Screw .....		
29	1			1811-2118-01	Förstärkningsplåt .....	Reinforcement plate .....		
30	1			1811-2147-01	Bricka .....	Washer .....		
31	4			9898-0635-12	Skruv .....	Screw .....		
32	4			9699-0025-02	Planbricka .....	Washer .....		
33	4			9747-0631-02	Låsmutter .....	Lock nut .....		
34	1			1811-2140-01	Skruv .....	Screw .....		
35	1			1811-2123-01	Spännarm .....	Tension arm .....		
36	1			9747-0631-02	Låsmutter .....	Lock nut .....		
37	1			9699-0025-02	Planbricka .....	Washer .....		
38	1			9747-0631-02	Låsmutter .....	Lock nut .....		
39	1			9699-0025-02	Planbricka .....	Washer .....		
40	1			9699-0025-02	Planbricka .....	Washer .....		
41	1			1811-2139-01	Bult .....	Bolt .....		
42	1			1811-2006-01	Kullager .....	Ball bearing .....		
43	1			1811-2144-01	Bussning .....	Bushing .....		
44	1			1811-2121-01	Spännrulle .....	Tension roller .....		
45	1			1811-2122-01	Fjäder .....	Extension spring .....		
46	1			1811-2120-01	Remskiva .....	Belt pulley .....		
47	1			9799-1031-02	Mutter .....	Nut .....		
48	1			9699-0035-02	Planbricka .....	Flat washer .....		
X 49	1			1811-2175-01	Elmotor .....	El. Motor .....	1300W	
50	1			1811-2134-01	Motorfäste .....	Motor holder .....		
51	3			1811-2141-01	Isolering- motorbult .....	Motor bolt isolator .....		
52	3			1811-2145-01	Bricka .....	Washer .....		
53	3			9997-0620-16	Skruv .....	Screw .....		
54	3			9747-0631-02	Låsmutter .....	Lock nut .....		
55	1			1811-2119-01	Remskiva .....	Belt pulley .....		
56	1			1811-2002-01	Bricka .....	Shim .....		
57	1			9997-0616-16	Skruv .....	Screw .....		
58	1			1811-2105-01	Planbricka .....	Flat washer .....		
59	1			1811-2069-01	Fjäderbricka .....	Spring washer .....		
60	1			1811-2135-01	Kilrem .....	V- belt .....		
61	1			1811-2116-01	Axel .....	Axle .....		
62	2			1811-2117-01	Hjul .....	Wheel .....		
63	6			9650-0012-04	Seegersäkring .....	Circlip .....		
64	4			1811-2001-01	Bricka .....	Washer .....		
66	1			1811-2136-01	Styre- överdel .....	Handle- upper .....		
68	1			1811-2107-01	Isoleringshylsa .....	Insulating .....		
69	1			1811-2106-01	Kabelhållare .....	Cable tie .....		
70	2			1811-2003-01	Skruv .....	Screw .....		
73	1			1811-2127-01	Motorkåpa .....	Motor protection .....		
75	7			9836-9216-12	Skruv .....	Screw .....		
76	7			9699-0021-02	Bricka .....	Washer .....		
77	2			1811-2004-01	Skruv .....	Screw .....		
78	2			9699-0024-02	Planbricka .....	Flat washer .....		
79	1			1811-2133-01	Kuggring .....	Counter cog .....		
80	2			1811-2126-01	Tryckfjäder .....	Compression spring .....		
81	1			1811-2124-01	Utkaströr .....	Lower chute .....		
84	1			1811-2125-01	Utkastskärm .....	Upper chute .....		
85	2			9898-0620-16	Skruv .....	Screw .....		
86	2			9699-0025-02	Planbricka .....	Washer .....		
87	2			9751-0631-02	Vingmutter .....	Wing nut .....		
88	2			9997-0635-12	Skruv .....	Screw .....		
89	4			9699-0025-02	Planbricka .....	Washer .....		
91	1			9579-0009-00	Dragavlastare .....	Cable restrainer .....		
95	2			9683-0025-02	Låsbricka .....	Lock washer .....		

Mittelholm/Middle Handle

90

Unterholm/Lower Handle

28



REF

96	ISOLATE ENGINE SCREW	ISOLIERSCHRAUBE F. MOTOR
97	SEPARATOR OF AIR	SCHAUMSTOFFSCHUTZ
98	CLEANER WOOD	HOLZSTÖSSEL
99	WASHER	SCHEIBE
100	WASHER	SCHEIBE
101	WHEEL SPACER ON AXLE	DISTANZHÖLSE RADACHSE
102	LOWER COVER	ABDECKUNG UNTEN

REF 96-102, NOT SHOWN NICHT ABGEBILDET

Utgåva Issue		Bildnr Picture No		SNOW ELECTRIC	SNOW ELECTRIC	Sida Page		
2005-14		1772				4		
Pos. Fig.	Antal/Quantity			Art nr Part No	Benämning	Description	Sats Kit	Anmärkning Notes
	2808							
1	1			1811-2108-01	Hus.....	Housing.....		Inkl. 8, 9, 15-17, 23
8	1			1811-2114-01	• Rotoraxel.....	• Worm shaft.....		
9	2			1811-2110-01	• Rotoraxelgummi.....	• Worm shaft rubber.....		
10	2			1811-2113-01	Rotor kpl.....	Rotor assy.....		
11	1			1811-2111-01	Fäste-hö.....	Bracket- RH.....		
12	1			1811-2112-01	Fäste-vä.....	Bracket- LH.....		
13	2			1811-2008-01	Låsring.....	Retaining ring.....		
14	3			1811-2000-01	Bricka.....	Washer.....		
15	4			1811-2005-01	• Skruv.....	• Screw.....		
16	4			9747-0631-02	• Låsmutter.....	• Lock nut.....		
17	4			9699-0025-02	• Planbricka.....	• Washer.....		
18	8			1811-2174-01	Skruv.....	Screw.....		
19	8			9747-0631-02	Låsmutter.....	Lock nut.....		
20	8			9699-0025-02	Planbricka.....	Washer.....		
21	2			1811-2115-01	Lagerkopp.....	Bearing cup.....		
22	2			1811-2001-01	Bricka.....	Washer.....		
23	2			1811-2007-01	• Kullager.....	• Ball bearing.....		
24	1			9997-0616-16	Skruv.....	Screw.....		
25	1			9699-0025-02	Planbricka.....	Washer.....		
26	6			9997-0616-16	Skruv.....	Screw.....		
27	8			9799-0631-02	Mutter.....	Nut.....		
28	1			1811-2138-01	Styre- underdel.....	Handle- lower.....		
65	1			1811-2142-01	Manöverdosa- kontakt.....	Switch- plug.....		
67	2			9847-7925-16	Skruv.....	Screw.....		
71	2			1811-2027-01	Vagnsbult.....	Carriage bolt.....		
72	2			1811-2148-01	Vingmutter.....	Wing nut.....		
74	1			1811-2131-01	Remskydd.....	Belt cover.....		
82	1			1811-2128-01	Hus- övre.....	Housing- upper.....		
83	4			9843-8219-16	Skruv.....	Screw.....		
89	4			9699-0025-02	Planbricka.....	Washer.....		
90	1			1811-2137-01	Styre- mitten.....	Handle- middle.....		
92	2			9898-0645-12	Skruv.....	Screw.....		
93	2			1811-2152-01	Isolerplatta.....	Insulator plate.....		
94	2			1811-2153-01	Isolerbussning.....	Insulator bushing.....		
96	1			1811-2146-01	Isolerskruv- motor.....	Isolate screw- motor.....		
97	1			1811-2151-01	Lufffilter.....	Air separator.....	Ej ill/not ill.	
98	1			1811-2154-01	Rengöringsstav.....	Cleaner stick.....	Ej ill/not ill.	
99	1			1811-2104-01	Bricka.....	Washer.....	Ej ill/not ill.	
100	2			1811-2150-01	Bricka.....	Washer.....	Ej ill/not ill.	
101	2			1811-2149-01	Hjuldistan.....	Wheel spacer.....	Ej ill/not ill.	
102	1			1811-2132-01	Kåpa- undre.....	Cover- lower.....	Ej ill/not ill.	
103	1			9579-0008-00	Buntband.....	Cable holder.....		

X