

# Genuine Spare Parts

www.stiga.com

## SNOW BREEZE Model Year 2003/04

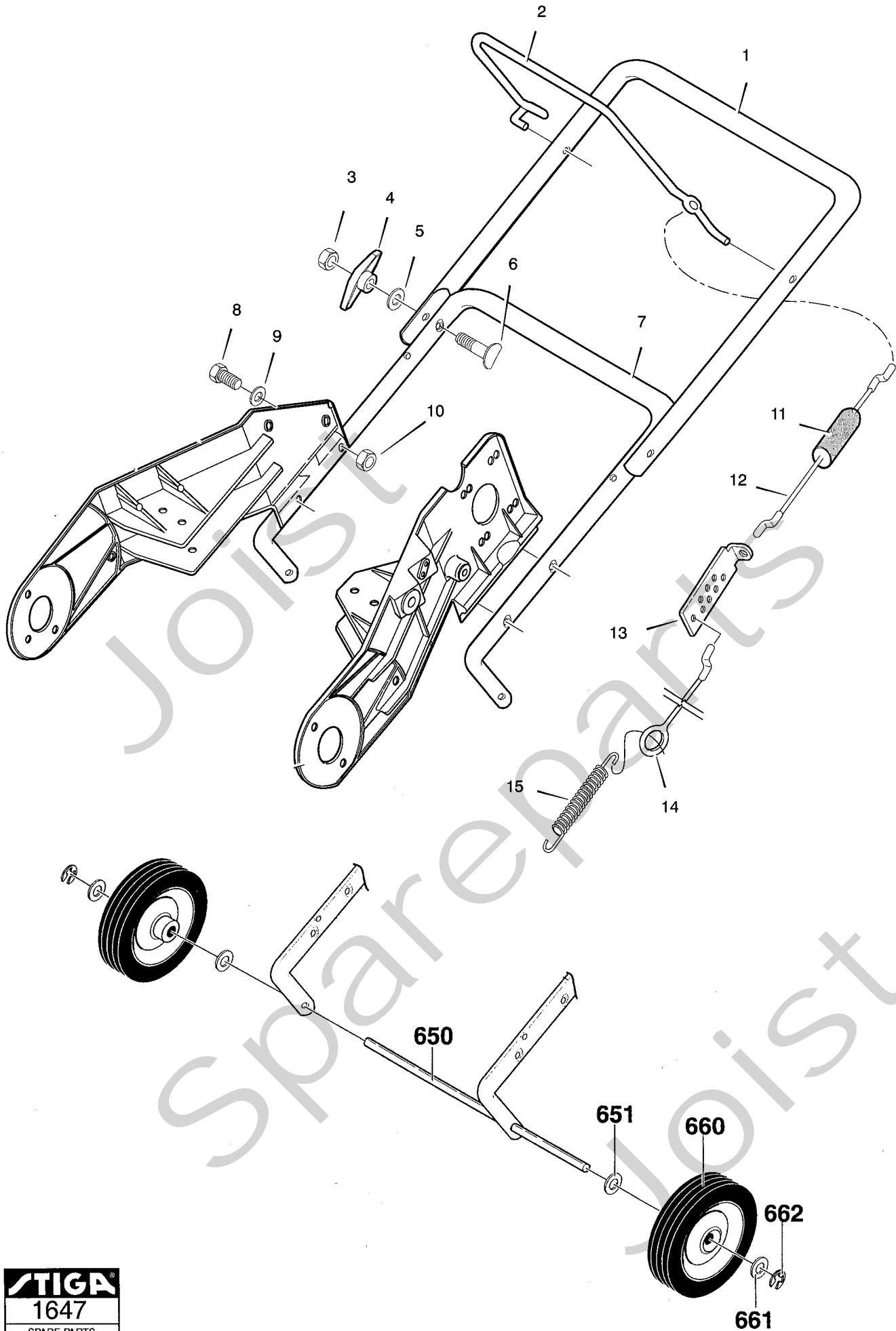
includes:  
18-2822-24 Snow Breeze

- Use GLOBAL GARDEN PRODUCT Genuine Spare Parts specified in the parts list for repair and/or replacement.
- The contents described in the parts list may change due to improvement.
- The drawings of the spare parts are only indicative and might not represent the part in question exactly.
- The indications "right" - "left" - "front" - "rear" refer to the position of the operator when using the machine.
- When placing orders of parts for repair and/or replacement, make sure that the illustrated parts list is the one applying to the machine's year of manufacture, as shown on the identification plate attached to the machine.

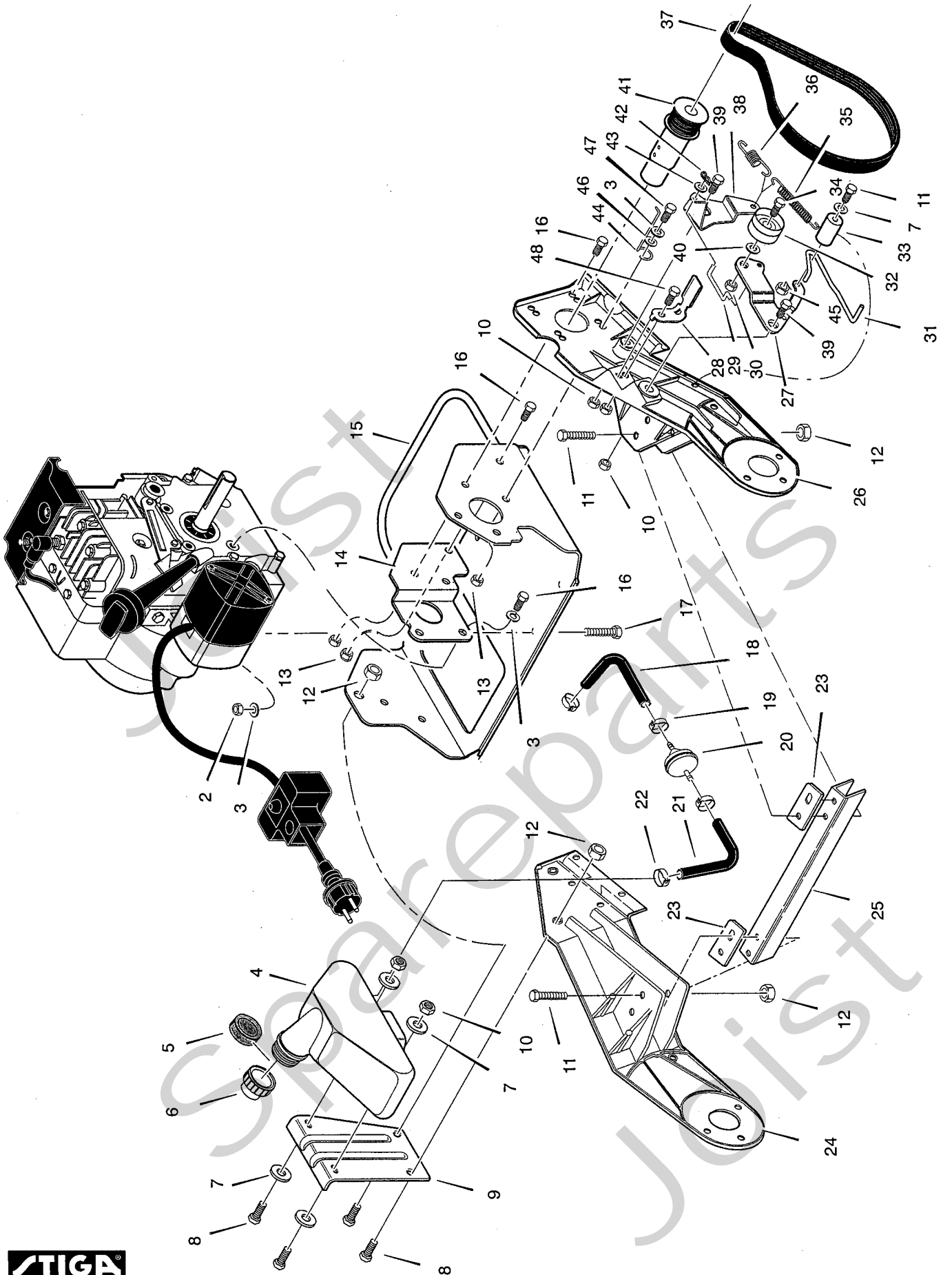
COPYRIGHT by GLOBAL GARDEN PRODUCTS

All rights reserved. No part of this material may be reproduced or transmitted, in any form or by any means, electronic or mechanical, including photocopying, recording or by any information storage and retrieval system, without permission in writing from GLOBAL GARDEN PRODUCTS.

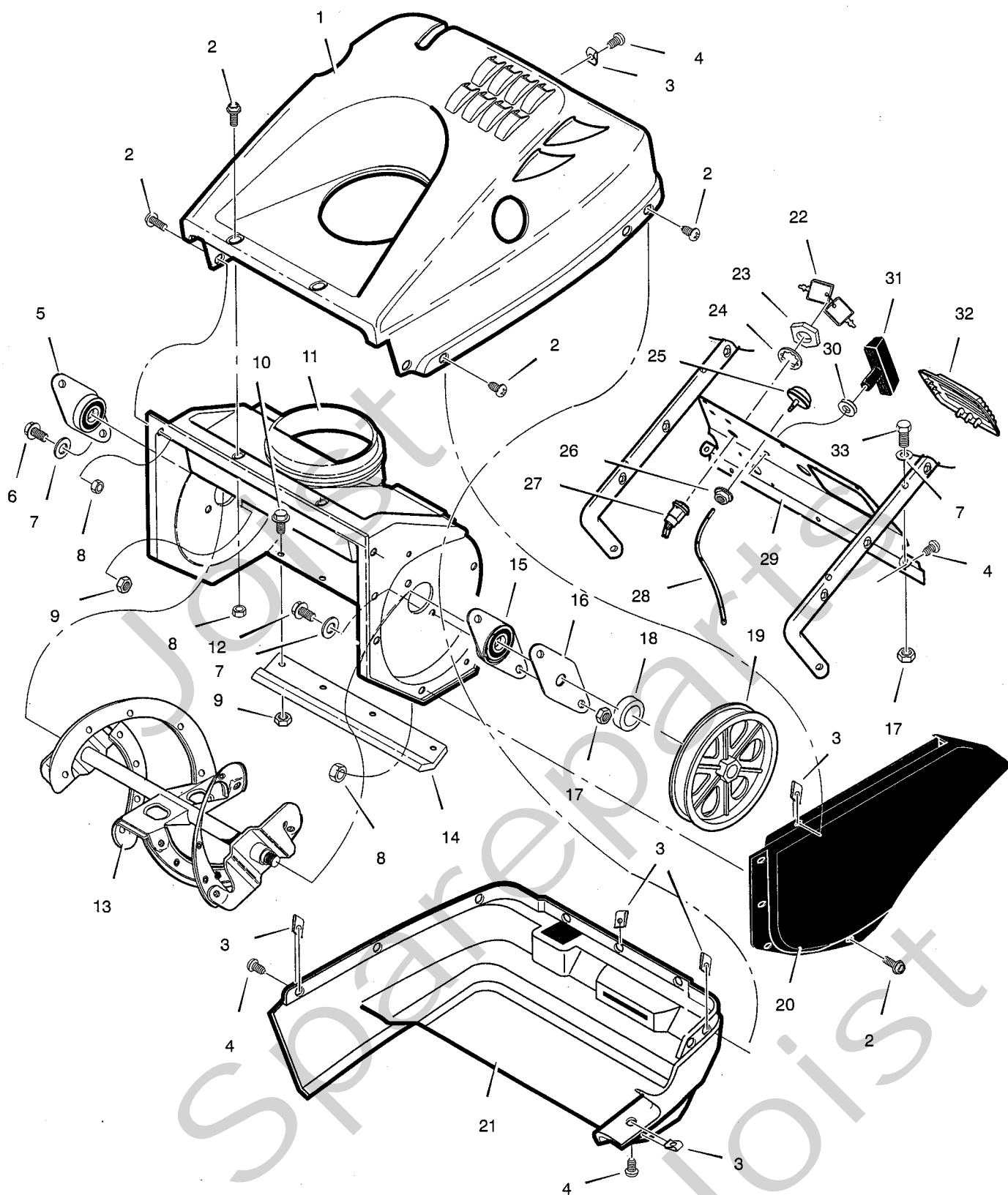




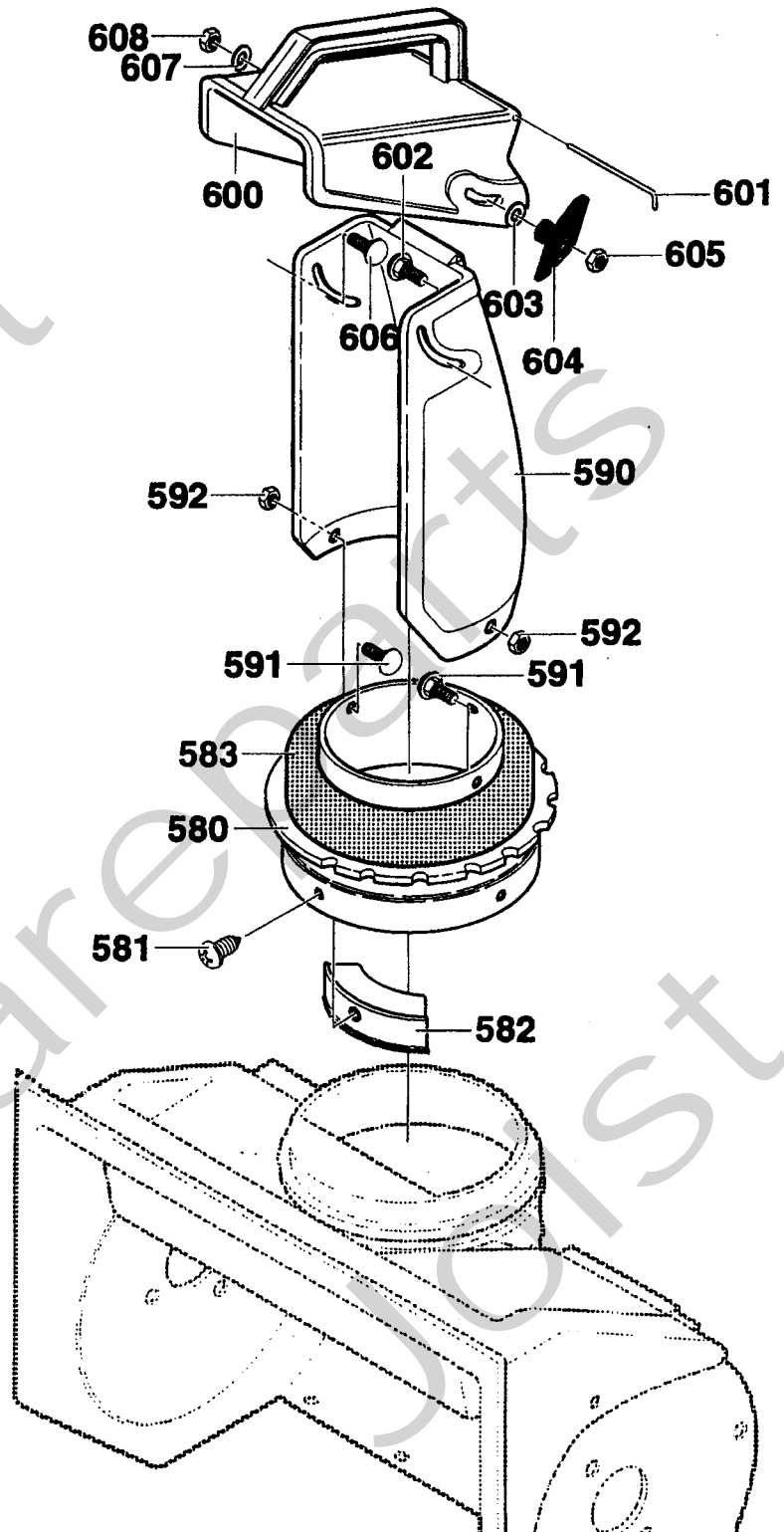
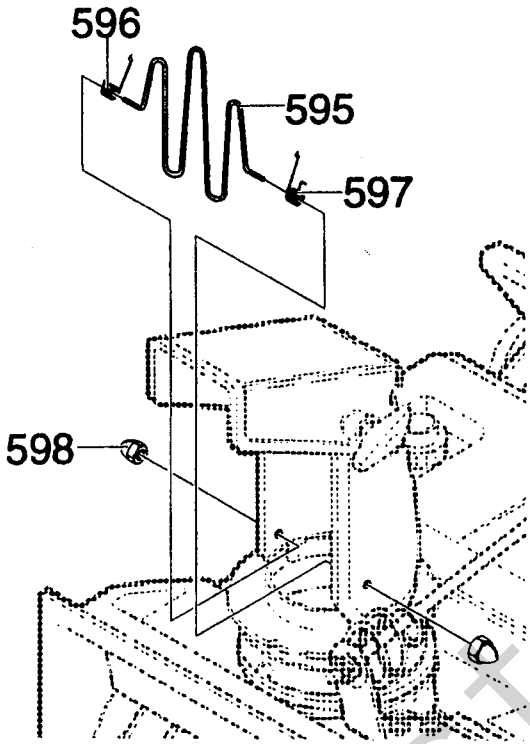
Utgåva Issue 2003-59		Bildnr Picture No 1647		SNOW BREEZE STYRE STÖDHJUL		SNOW BREEZE HANDLE SUPPORT WHEELS		Sida Page 22	
Pos. Fig.	Antal/Quantity				Art nr Part No	Benämning	Description	Sats Kit	Anmärkning Notes
	2822								
	1				1812-1527-01	Styre överdel .....	Upper handle.....		
	2				1133-0972-01	Inkopplingshandtag .....	Control bail .....		
	3				9795-3631-02	Mutter .....	Nut .....		
	4				1133-0932-01	Lås ratt .....	T-knob .....		
	5				1133-0933-01	Kupad bricka .....	Formed washer .....		
	6				1133-1017-01	Skruv .....	Bolt .....		
	7				1812-1492-01	Styre underdel .....	Lower handle .....		
	8				9988-3532-12	Skruv .....	Screw .....		
	9				9699-0028-02	Planbricka .....	Flat washer .....		
	10				1812-0812-01	Låsmutter .....	Locking nut .....		
	11				1133-0968-01	Wirehylsa .....	Clutch spring boot .....		
X	12				1812-1884-01	Reglagewire- övre .....	Control cable- upper .....		
	13				1133-0977-01	Wirefäste .....	Cable adjust bracket .....		
X	14				1812-1883-01	Reglagewire- nedre .....	Control cable- lower .....		
	15				1812-1670-01	Fjäder .....	Spring .....		
X	650				1812-1886-01	Hjulaxel .....	Shaft axle .....		
	651				9699-0030-02	Planbricka .....	Flat washer .....		
	660				1812-1455-01	Hjul .....	Wheel .....		
	661				9699-0030-02	Planbricka .....	Flat washer .....		
	662				1133-1021-01	Låsring .....	Retaining ring .....		
X	998				8218-2203-07	Bruksanvisning .....	Owner's manual .....		Ej ill/not ill.



Utgåva Issue 2003-59		Bildnr Picture No 1648		SNOW BREEZE RAM REMTRANSMISSION		SNOW BREEZE FRAME BELT TRANSMISSION		Sida Page 24	
Pos. Fig.	Antal/Quantity			Art nr Part No	Benämning	Description	Sats Kit	Anmärkning Notes	
	2822								
	2	4		9795-3631-02	Mutter.....	Nut .....			
	3	7		9683-0030-02	Låsbricka .....	Lock washer .....			
	4	1		1812-1489-01	Bränsletank .....	Fuel tank .....		Volym 1.42 lit.	
	5	1		1812-1565-01	Tätningarring .....	Foam ring .....			
X	6	1		1812-1906-01	Tanklock .....	Fuel tank cap .....			
	7	5		9699-0028-02	Planbricka .....	Flat washer .....			
	8	4		9988-3519-16	Skruv .....	Screw .....			
	9	1		1812-1490-01	Tankfäste .....	Fuel tank bracket .....			
	10	5		1812-0812-01	Låsmutter .....	Locking nut .....			
	11	5		9988-3551-12	Skruv .....	Screw .....			
	12	6		9795-3531-02	Mutter.....	Nut .....			
	13	4		1812-0811-01	Låsmutter .....	Locking nut .....			
X	14	1		1812-1901-01	Motorfäste .....	Engine bracket .....			
X	15	1		1812-1908-01	Motorvaggå .....	Weldment cradle .....			
	16	3		9988-3619-16	Skruv .....	Screw .....			
	17	4		9988-3651-12	Skruv .....	Screw .....			
	18	1		1812-1498-01	Bränsleslang .....	Fuel line tubing .....			
	19	2		1812-1487-01	Slangklämma .....	Fuel line clamp .....			
X	20	1		1812-1907-01	Bränslefilter .....	Fuel line filter .....			
	21	1		1812-1486-01	Bränsleslang .....	Fuel line tubing .....			
	22	2		1133-0070-01	Slangklämma .....	Fuel line clamp .....			
X	23	2		1812-1894-01	Platta .....	Bolting support plate .....			
X	24	1		1812-1899-01	Stödram- hö .....	Support frame- RH .....			
X	25	1		1812-1892-01	Ramstöd .....	Frame support channel .....			
X	26	1		1812-1890-01	Stödram- vä .....	Support frame- LH .....			
X	27	1		1812-1888-01	Spännarm .....	Idler bracket arm .....			
X	28	1		1812-1891-01	Brombelägg .....	Brake pad .....			
X	29	1		1812-1881-01	Länkstång .....	Clutch linkage rod .....			
	30	1		9743-3721-32	Mutter.....	Nut .....			
X	31	1		1812-1896-01	Bromsstång .....	Brake wire .....			
	32	1		1133-0936-01	Spännrulle .....	Idler pulley .....			
X	33	1		1812-1897-01	Rulle .....	Pinch roller .....			
	34	1		9988-3738-12	Skruv .....	Screw .....			
X	35	1		1812-1885-01	Fjäder .....	Spring .....			
	36	1		1812-1670-01	Fjäder .....	Spring .....			
X	37	1		1812-1878-01	Drivrem .....	Drive belt .....			
X	38	1		1812-1882-01	Spännarm .....	Idler pivot arm .....			
X	39	2		1812-1829-01	Ansatsbult .....	Shoulder bolt .....			
X	40	1		1812-1880-01	Planbricka .....	Flat washer .....			
X	41	1		1812-1900-01	Motorremskiva .....	Engine pulley .....			
X	42	1		1812-1879-01	Låsnål .....	Cotter pin .....			
	43	1		9699-0079-02	Bricka .....	Washer .....			
X	44	1		1812-1893-01	Remstyrning .....	Belt guide .....			
	45	1		1812-0812-01	Låsmutter .....	Locking nut .....			
	46	1		9699-0029-02	Planbricka .....	Flat washer .....			
	47	1		9988-3625-16	Skruv .....	Screw .....			
	48	1		9988-3516-16	Skruv .....	Screw .....			

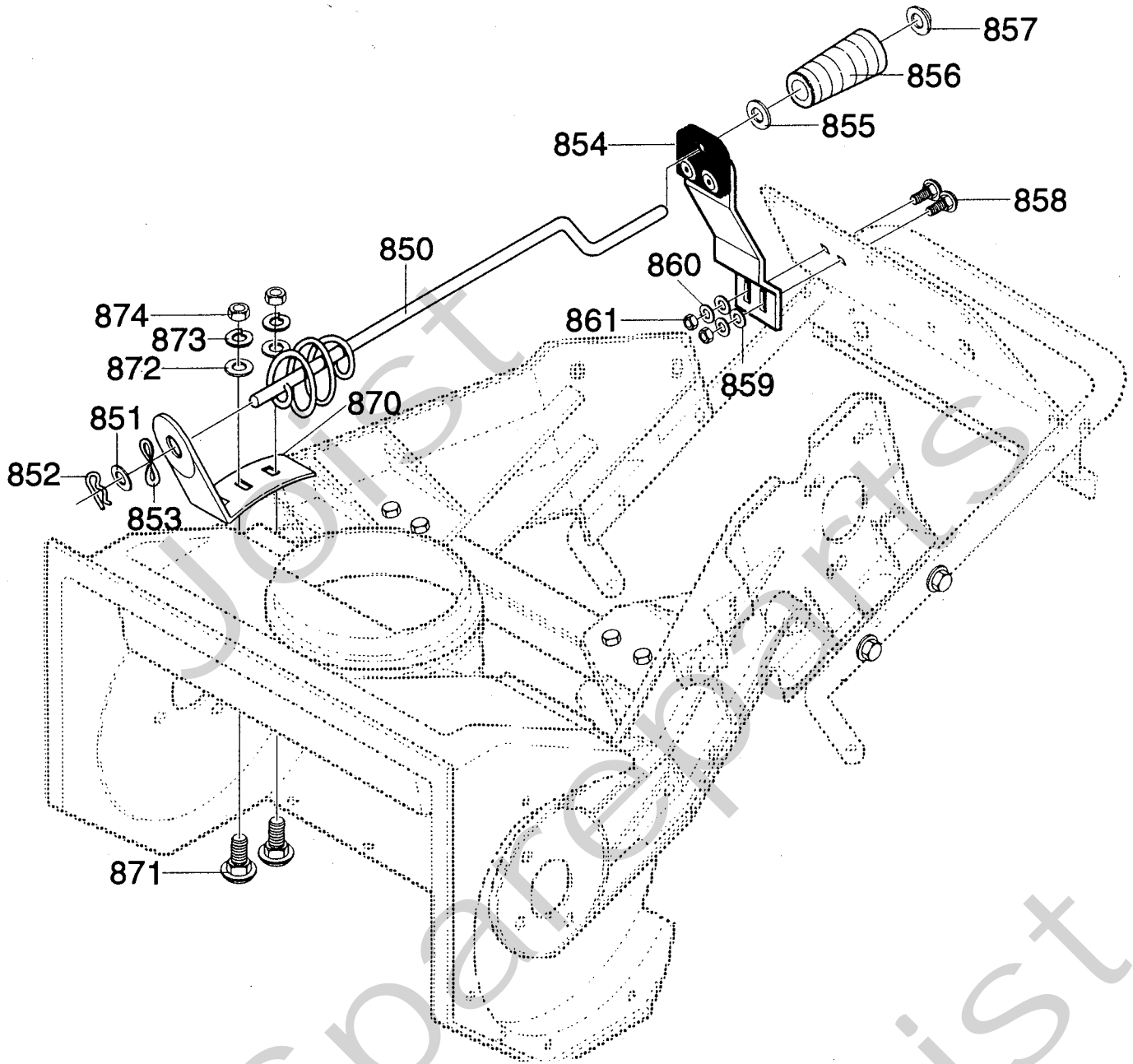


Utgåva Issue		Bildnr Picture No		SNOW BREEZE SNÖSKRUV KÅPOR		SNOW BREEZE AUGER COVERS		Sida Page	
2003-59		1649						26	
Pos. Fig.	Antal/Quantity			Art nr Part No	Benämning	Description	Sats Kit	Anmärkning Notes	
	2822								
X	1	1		1812-1902-01	Kåpa-övre .....	Cover-top .....			
	2	10		1812-0959-01	Bult .....	Bolt .....			
	3	8		1133-1026-01	Snabbmutter .....	Speed nut .....			
X	4	7		1812-1887-01	Skruv .....	Screw .....			
	5	1		1133-1019-01	Flänslager .....	Flange bearing .....			
	6	2		9988-3525-16	Skruv .....	Screw .....			
	7	5		9699-0028-02	Planbricka .....	Flat washer .....			
	8	4		1812-0630-01	Mutter .....	Nut .....			
	9	6		1812-1758-01	Mutter .....	Nut .....			
	10	4		9988-3519-16	Skruv .....	Screw .....			
	11	1		1812-1503-01	Snöskruvhus .....	Auger housing .....			
	12	2		9988-3516-16	Skruv .....	Screw .....			
	13	1		1812-1488-01	Snöskruv kpl. ....	Auger assy .....			
	13A	4		1133-0964-01	• Snöskruvskär .....	• Auger blade .....		Ej ill/not ill.	
	13B	20		1133-0940-01	• Nit .....	• Rivet .....		Ej ill/not ill.	
	13C	2		1133-0960-01	• Centrumskär .....	• Centre blade .....		Ej ill/not ill.	
	14	1		1812-1481-01	Skrapskär .....	Scraper blade .....			
	15	1		1133-0947-01	Lager m. hållare .....	Bearing & plate .....			
	16	1		1133-1000-01	Lagerhållare .....	Retainer plate .....			
	17	3		1812-0812-01	Låsmutter .....	Locking nut .....			
X	18	1		1812-1895-01	Distans .....	Sleeve spacer .....			
X	19	1		1812-1889-01	Remskiva .....	Pulley .....			
X	20	1		1812-1502-01	Remskydd .....	Belt cover .....			
X	21	1		1812-1903-01	Kåpa-nedre .....	Cover-bottom .....			
	22	1		1134-2848-01	Tändningsnyckel .....	Ignition key .....			
	23	1		1134-2852-01	Mutter .....	Nut .....			
	24	1		1134-2853-01	Bricka .....	Washer .....			
X	25	1		1812-1905-01	Primernippel .....	Primer bulb .....			
	26	1		9795-3531-02	Mutter .....	Nut .....			
	27	1		1133-0956-01	Tändningslås .....	Ignition switch .....			
	28	1		1812-1496-01	Primerslang .....	Primer hose .....			
X	29	1		1812-1904-01	Reglagepanel .....	Control panel .....			
	30	1		1133-0962-01	Linhylsa .....	Grommet & rope guide .....			
	31	1		1133-0995-01	Starthandtag .....	Starter grip .....			
X	32	1		1812-1898-01	Panellock .....	Access panel .....			
	33	1		9988-3532-12	Skruv .....	Screw .....			





Utgåva Issue 2003-59		Bildnr Picture No 949		SNOW BREEZE UTKAST SKYDD		SNOW BREEZE DISCHARGE CHUTE CHUTE GUARD		Sida Page 28	
Pos. Fig.	Antal/Quantity				Art nr Part No	Benämning	Description	Sats Kit	Anmärkning Notes
	2822								
580	1				1812-1491-01	Utkastring .....	Chute ring .....		
581	4				1133-1014-01	Skruv .....	Screw .....		
582	4				1133-1018-01	Utkastledplåt .....	Chute guide .....		
583	1				1812-1564-01	Tätning .....	Foam .....		
590	1				1133-1004-01	Utkaströr .....	Lower chute .....		
591	2				9899-3516-16	Skruv .....	Screw .....		
592	2				1812-1758-01	Mutter .....	Nut .....		
595	1				1133-0970-01	Utkastskydd .....	Wire chute guide .....		
596	1				1133-0944-01	Fjäder .....	Torsion chute spring .....		
597	1				1133-0945-01	Fjäder .....	Torsion chute spring .....		
598	2				1133-0937-01	Hattlåsning .....	Acorn nut .....		
600	1				1133-0967-01	Utkastskärm .....	Upper chute .....		
601	1				1133-0969-01	Gångjärnsaxel .....	Hinge wire .....		
602	1				9899-3632-12	Skruv .....	Screw .....		
603	1				9699-0029-02	Planbricka .....	Flat washer .....		
604	1				1133-0932-01	Lås ratt .....	T-knob .....		
605	1				9795-3631-02	Mutter .....	Nut .....		
606	1				1133-1023-01	Skruv .....	Screw .....		
607	1				9699-0029-02	Planbricka .....	Flat washer .....		
608	1				1812-0811-01	Låsmutter .....	Locking nut .....		



Utgåva Issue		Bildnr Picture No		SNOW BREEZE INSTÄLLINGSVEV		SNOW BREEZE CHUTE ROD		Sida Page	
2003-59		953						30	
Pos. Fig.	Antal/Quantity				Art nr Part No	Benämning	Description	Sats Kit	Anmärkning Notes
	2822								
850	1				1812-1500-01	Inställningsvev.....	Chute rod .....		
851	1				9699-0035-02	Planbricka.....	Flat washer.....		
852	1				9599-0054-02	Saxpinne.....	Cotter pin .....		
853	1				1133-0973-01	Kupad fjäderbricka.....	Curved spring washer.....		
854	1				1812-1495-01	Fäste .....	Chute crank bracket .....		
855	1				9699-0035-02	Planbricka.....	Flat washer.....		
856	1				1133-0959-01	Handtag .....	Knob .....		
857	1				1812-0396-01	Låsning.....	Retainer .....		
858	2				9899-3516-16	Skruv .....	Screw .....		
859	2				9699-0028-02	Planbricka.....	Flat washer.....		
860	2				9683-0030-02	Låsbricka .....	Lock washer.....		
861	2				9795-3531-02	Mutter.....	Nut .....		
870	1				1812-1493-01	Vevfäste .....	Chute rotation brkt.....		
871	2				9899-3622-16	Skruv .....	Screw .....		
872	2				9699-0029-02	Planbricka.....	Flat washer.....		
873	2				9683-0030-02	Låsbricka .....	Lock washer.....		
874	2				9795-3631-02	Mutter.....	Nut .....		