

Genuine Spare Parts

www.stiga.com

SCARIFIERS Model Year 2010

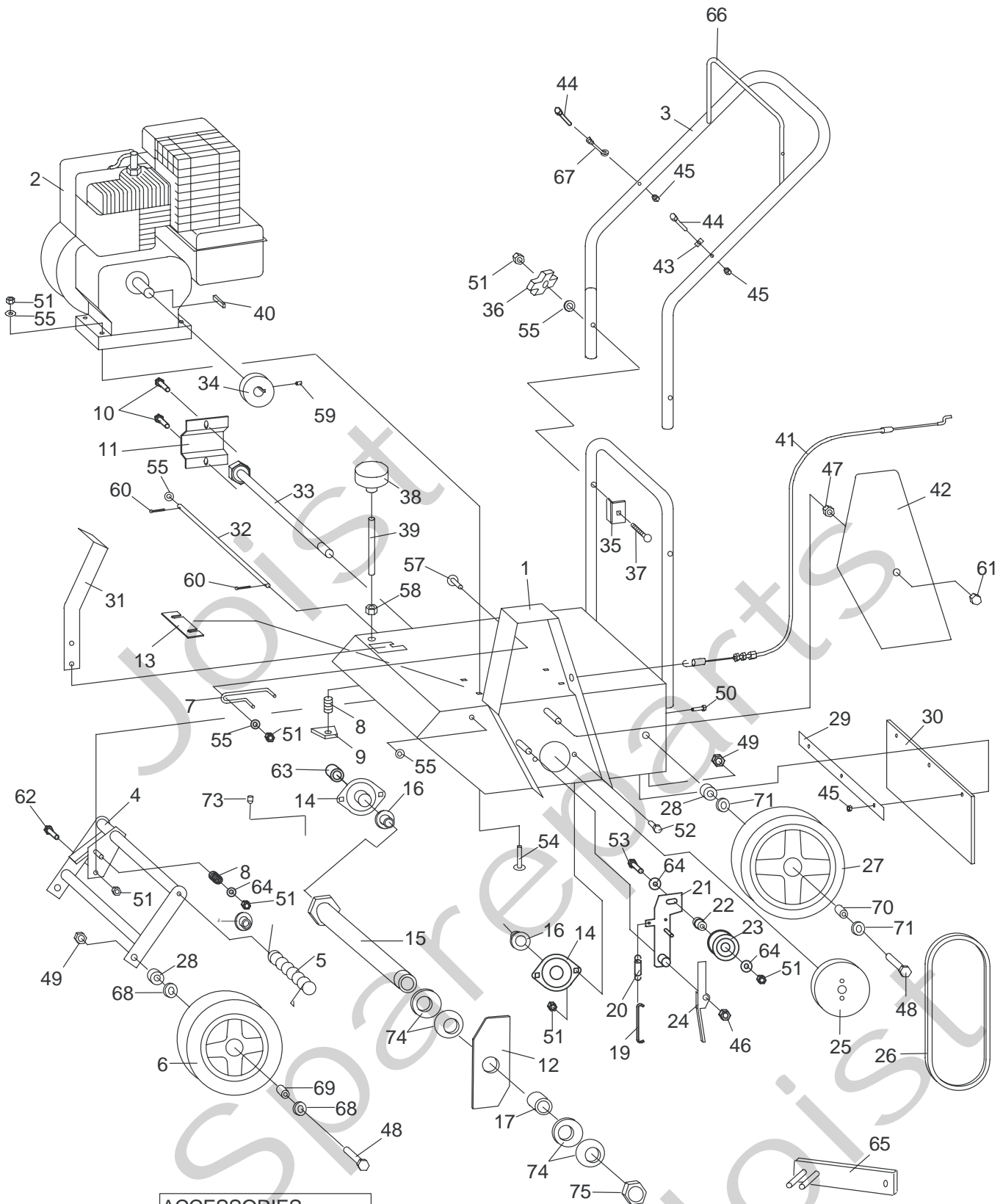
includes:
26-2220-20 VB 40 Scarifier
+ GGP TM60 engine

- Use GLOBAL GARDEN PRODUCT Genuine Spare Parts specified in the parts list for repair and/or replacement.
- The contents described in the parts list may change due to improvement.
- The drawings of the spare parts are only indicative and might not represent the part in question exactly.
- The indications "right" - "left" - "front" - "rear" refer to the position of the operator when using the machine.
- When placing orders of parts for repair and/or replacement, make sure that the illustrated parts list is the one applying to the machine's year of manufacture, as shown on the identification plate attached to the machine.

COPYRIGHT by GLOBAL GARDEN PRODUCTS

All rights reserved. No part of this material may be reproduced or transmitted, in any form or by any means, electronic or mechanical, including photocopying, recording or by any information storage and retrieval system, without permission in writing from GLOBAL GARDEN PRODUCTS.

STIGA®



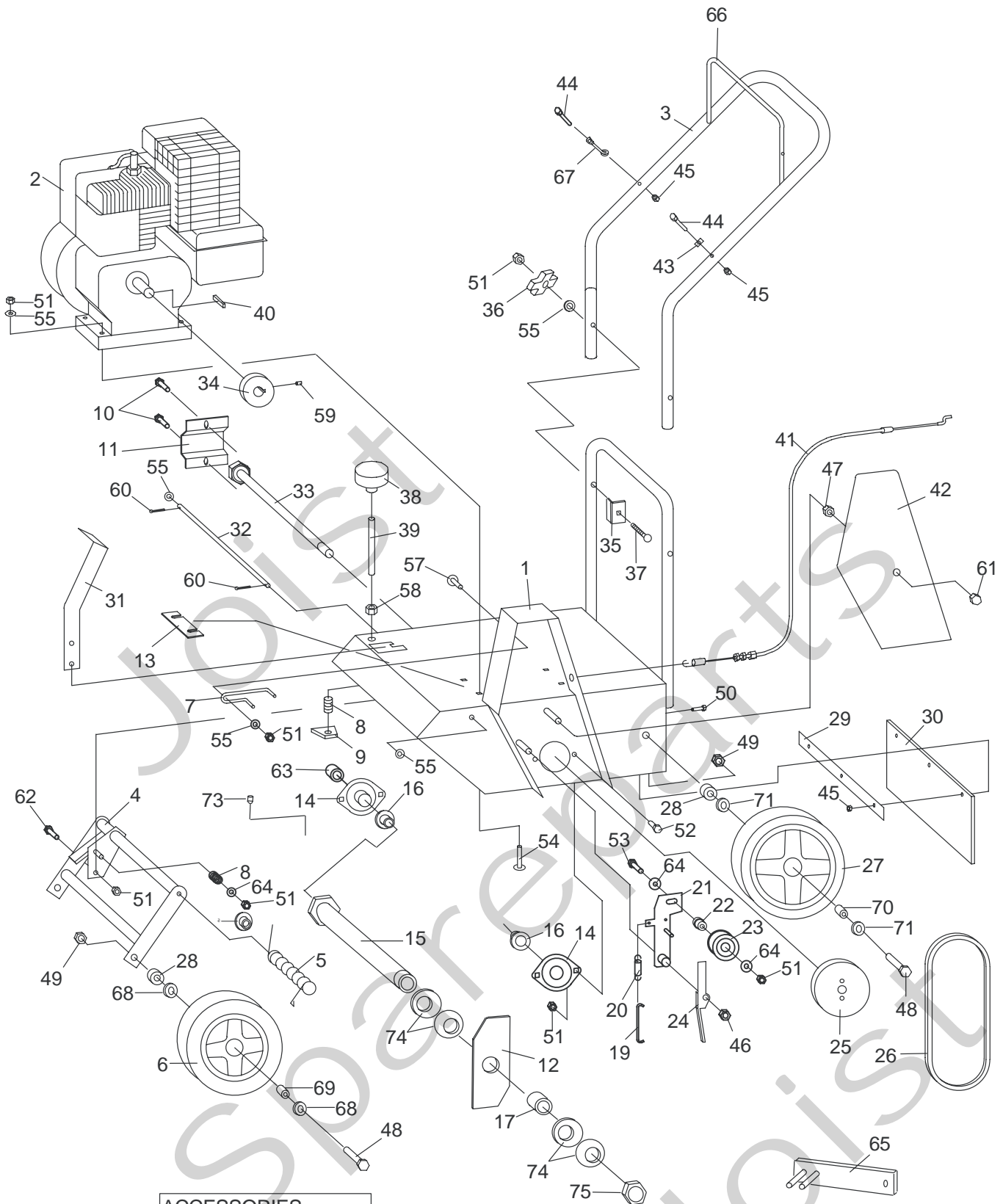
ACCESSORIES

99

SHAFT ASSY



Utgåva Issue		Bildnr Picture No		VB 40 PRO VERTIKALSKÄRARE		VB 40 PRO SCARIFIER		Sida Page	
2010-12		1842B						16	
Pos. Fig.	Antal/Quantity				Art nr Part No	Benämning	Description	Sats Kit	Anmärkning Notes
	2220 -20								
X	1	1			1319-1617-01	Chassi.....	Frame.....		GGP TM60
	2	1			118550508/0	Motor kpl.....	Engine assy.....		
	3	1			1319-1618-01	Styre.....	Handlebar.....		
	4	1			1319-1619-01	Hjulbygel.....	Wheel attachment.....		
	5	1			1319-1620-01	Vridfjäder.....	Torsion spring.....		
	6	2			81007364/0	Hjul m.lager.....	Wheel w.bearings.....		Inkl. pos 68
	7	1			1319-1621-01	Remstyrning.....	Belt guide.....		
	8	2			1319-1622-01	Fjäder.....	Spring.....		
	9	1			1319-1623-01	Låsbleck.....	Lock plate.....		
	10	2			9997-0816-16	Skruv.....	Screw.....		
	11	1			1319-1699-01	Skydd.....	Cover.....		
	12	14			1319-1656-01	Knivblad.....	Tine.....		
	13	2			1319-1700-01	Monteringsplatta.....	Mounting plate.....		
	14	2			1319-1628-01	Lager.....	Bearing.....		
	15	1			1319-1655-01	Rotoraxel.....	Rotor shaft.....		
	16	2			1319-1630-01	Distans.....	Spacer.....		
	17	13			1319-1851-01	Hylsa.....	Collar.....		
	19	1			1319-1634-01	Fjäderhållare.....	Spring holder.....		
	20	1			1319-1635-01	Fjäder.....	Spring.....		
	21	1			1319-1636-01	Spännarm.....	Tension lever.....		
	22	1			1319-1637-01	Distans.....	Spacer.....		
	23	1			1319-1638-01	Spännrulle.....	Tension roller.....		
	24	1			1319-1639-01	Rembroms.....	Belt brake.....		
	25	1			1319-1640-01	Remskiva.....	Pulley.....		
	26	1			1319-1918-01	Drivrem.....	Belt.....		Kevlar Inkl. pos 71
	27	2			81007365/0	Hjul kpl.....	Wheel assy.....		
	28	4			1319-1642-01	Distans.....	Spacer.....		
	29	1			1319-1643-01	Stödplatta.....	Plate.....		
	30	1			1319-1644-01	Gummiskydd.....	Rubber guard.....		
	31	1			1319-1645-01	Lyftspak.....	Lift lever.....		
	32	1			1319-1646-01	Axel.....	Shaft.....		
	33	1			1319-1647-01	Specialskruv.....	Special screw.....		
	34	1			1319-1648-01	Motorremskiva.....	Engine belt pulley.....		
X	35	2			1319-2283-01	Låsplatta.....	Lock plate.....		
X	36	2			1319-2284-01	Lås ratt.....	Locking knob.....		
	37	2			1319-1898-01	Skruv.....	Screw.....		
	38	1			1319-1650-01	Inställningsratt.....	Grip.....		
	39	1			1319-1651-01	Skruv.....	Screw.....		
	40	1			91539	Kil.....	Key.....		Motordel/engine part
	41	1			1319-1652-01	Kopplingswire.....	Clutch cable.....		
	42	1			1319-1653-01	Remskydd.....	Belt cover.....		
	43	1			1319-1654-01	Wirehållare.....	Cable holder.....		
	44	2			9898-0635-12	Skruv.....	Screw.....		
	45	5			9747-0631-02	Låsmutter.....	Lock nut.....		
	46	2			9747-1031-02	Låsmutter.....	Lock nut.....		
	47	1			9747-1031-02	Låsmutter.....	Lock nut.....		
	48	4			1319-1659-01	Skruv.....	Screw.....		
	49	4			9747-1231-02	Låsmutter.....	Lock nut.....		
	50	3			9997-0616-16	Skruv.....	Screw.....		
	51	13			9747-0831-02	Mutter.....	Lock nut.....		
	52	4			9997-0816-16	Skruv.....	Screw.....		
	53	1			9997-0840-16	Skruv.....	Screw.....		
	54	4			9898-0845-12	Skruv.....	Screw.....		
	55	7			9699-0028-02	Planbricka.....	Flat washer.....		
	56	1			9595-0235-00	Spännstift.....	Locating pin.....		
	57	1			9898-0820-16	Skruv.....	Screw.....		
	58	1			9747-1231-02	Låsmutter.....	Lock nut.....		
	59	1			9915-0808-15	Stoppsskruv.....	Set screw.....		
	60	2			9599-0067-02	Saxsprint.....	Cotter pin.....		
	61	1			1319-1660-01	Hattmutter.....	Cap nut.....		
	62	1			9997-0825-16	Skruv.....	Screw.....		
	63	1			1319-1732-01	Distans.....	Collar.....		
	64	3			9699-0062-02	Planbricka.....	Flat washer.....		



ACCESSORIES

99

SHAFT ASSY



Utgåva Issue		Bildnr Picture No		VB 40 PRO VERTIKALSKÄRARE		VB 40 PRO SCARIFIER		Sida Page	
2010-12		1842B						18	
Pos. Fig.	Antal/Quantity				Art nr Part No	Benämning	Description	Sats Kit	Anmärkning Notes
	2220 -20								
65	1			1319-1775-01	Nyckel.....	Pin wrench.....			
66	1			1319-1777-01	Kopplingshandtag.....	Clutch handle.....			
67	1			22430311/0	Ögla.....	Eyelink.....			
68	2			9549-0015-00	• Kullager.....	• Ball bearing.....			
69	2			1319-1806-01	Bussning.....	Collar.....		17.2 x 19.5	
70	2			1319-1805-01	Bussning.....	Collar.....		17.2 x 16.5	
71	2			9549-0001-00	• Kullager.....	• Ball bearing.....			
73	1			1319-1853-01	Stoppskruv.....	Set screw.....			
74	4			1319-1850-01	Fjäderbricka.....	Spring washer.....			
75	1			1319-1852-01	Mutter.....	Nut.....			
99	1			1319-1704-01	Mossrivaraxel kpl.....	Flail shaft assy.....		Tillbehör/Accessory	

165F-3

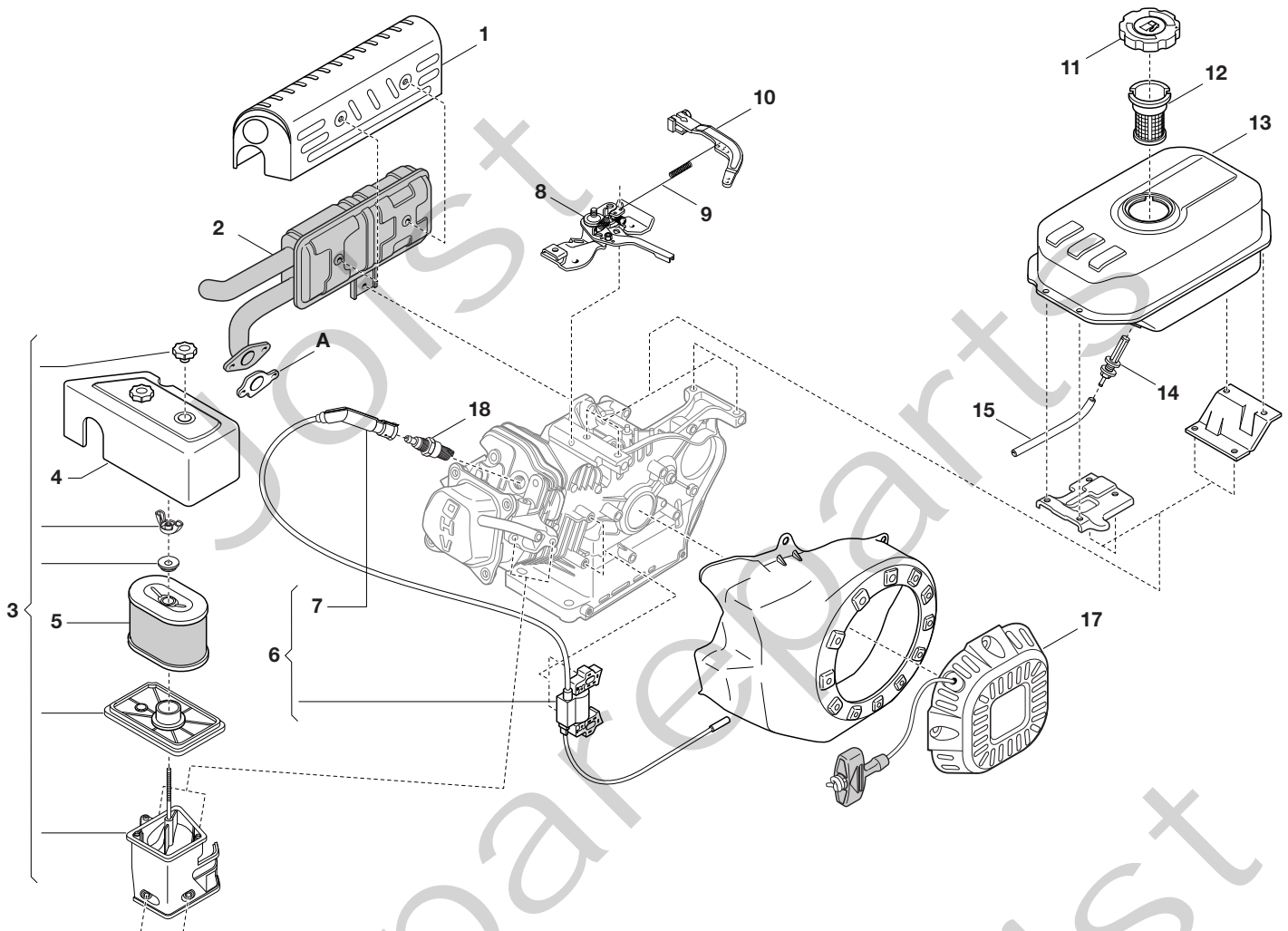
182 cc



2009

403.0

1 / 6



N.	CODE	Q.TY	DESCRIZIONE	DESCRIPTION	DESCRIPTION	BESCHREIBUNG
1	118550499/0	1	PROTEZIONE SILENZIATORE	MUFFLER GUARD	PROTECTION SILENCIEUX	SCHALLDÄMPFERSCHUTZ
2	118550498/0	1	SILENZIATORE	MUFFLER	SILENCIEUX	SCHALLDÄMPFER
3	118550497/0	1	ASS. FILTRO ARIA	AIR CLEANER ASSY	ENS. FILTRE A AIR	LUFTFILTER
4	118550495/0	1	COPERCHIO FILTRO ARIA	AIR CLEANER COVER	COUVERCLE FILTRE AIR	LUFTFILTERDECKEL
5	118550496/0	1	ELEMENTO FILTRANTE	AIR FILTER	ELEMENT FILTRANT	FILTERELEMENT
6	118550487/0	1	BOBINA ELETTRONICA	ELETTRONIC COIL	BOBINE ÉLECTRONIQUE	ELEKTRONIKSPULE
7	118550488/0	1	TERMINALE FILO BOBINA	SPARK PLUG SPRING	BORNE FIL BOBINE	ENDE SPULENDRAHT
8	118550494/0	1	COMANDO ACCELERATORE	REMOTE CONTROL ASSY	COMAND DU ACCELERATEUR	GASGESTANGE
9	118550490/0	1	MOLLA	SPRING	RESSORT	FEDER
10	118550491/0	1	LEVA COMANDO ACC.	ARM GOVERNOR ASSY	ENS. GOUVERNEUR LEVIER	HEBEL
11	118550502/0	1	TAPPO SERBATOIO	FUEL CAP	BOUCHON RESERVOIR	TANKEINFÜLLSTOPFEN
12	118550503/0	1	FILTRO CARBURANTE	FUEL FILTER	FILTRE CARBURANT	TREIBSTOFFFILTER
13	118550501/0	1	SERBATOIO	TANK	RESERVOIR	TANK
14	118550500/0	1	ATTACCO SERBATOIO	FUEL TANK HOSE CONNECTION	RACCORD COND. COMBUSTIBLE	WASSERANSCHLUSS
15	118550504/0	1	TUBO CARBURANTE	FUEL PIPE	CONDUITE COMBUSTIBLE	KRAFTSTOFFLEITUNG
17	118550477/0	1	ASS. AVVIATORE	STARTER ASSY	DÉMARREUR	SET STARTER
18	9400-0244-00	1	CANDELA	SPARK PLUG	BOUGIE	ZÜNDKERZE

Joist
Spareparts
Joist

165F-3

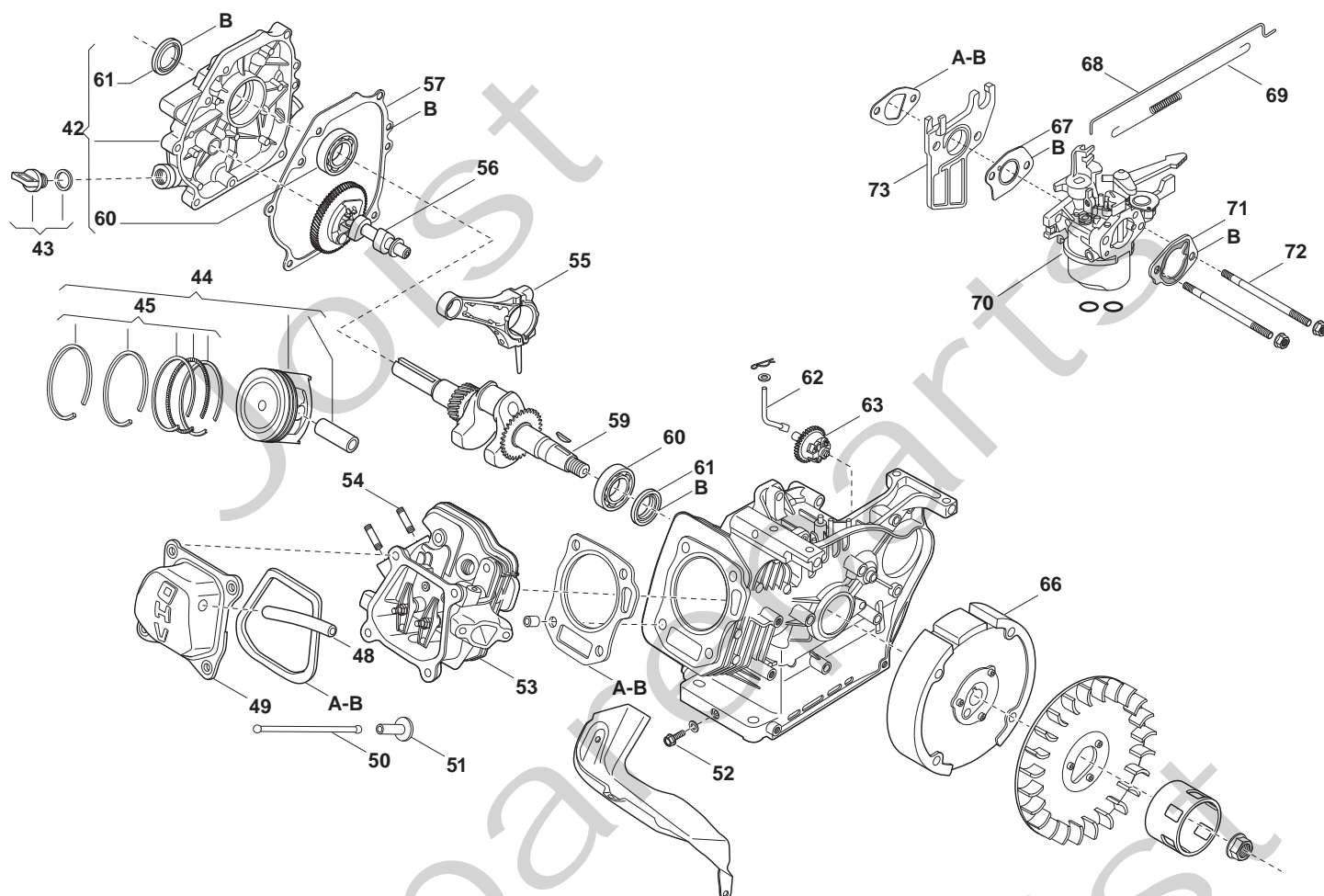
182 cc



2009

403.0

3 / 6



N.	CODE	Q.TY	DESCRIZIONE	DESCRIPTION	DESCRIPTION	BESCHREIBUNG
42	118550464/0	1	ASS. CARTER MOTORE	CRANKCASE COVER ASSY	ENS. CARTER MOTEUR	SATZ MOTORGEHÄUSE
43	118550467/0	1	TAPPO OLIO	CAP OIL TANK	BOUCHON D'HUILE	ÖLDECKEL
44	118550469/0	1	ASS. PISTONE	PISTON ASSY	ENS. PISTON	SET KOLBEN
45	118550468/0	1	ASS. FASCE ELASTICHE	PISTON, RING SET	ENS. BAGUES ÉLASTIQUES	SET ELASTISCHE RINGE
48	118550456/0	1	TUBO SFIATO	BREATHER FULE PIPE	TUYAU SOUPIRAIL	ENTLÜFTERROHR
49	118550455/0	1	COPERCHIO VALVOLE	COVER COMP., HEAD	CACHE-SOUPAPES	VENTILABDECKUNG
50	118550474/0	2	ASTE DI PUNTERIA	PUSH RODS	TIGE	STANGE
51	118550475/0	2	ALZAVOLVOLE	VALVE LIFTER	POUSSOIR DE VALVE	VENTILHEBER
52	118550460/0	1	ASS. TAPPO OLIO	OIL CAP	BOUCHON HUILE	SATZ ÖLSTOPFEN
53	118550505/0	1	ASS. TESTA CILINDRO	CYLINDER HEAD ASSY	ENS. CULASSE DU CYLINDRE	ZYLINDERKOPF
54	118550454/0	2	PRIGIONIERO	STUD BOLT	PRISONNIER	STIFTSCHRAUBE
55	118550470/0	1	ASS. BIELLA MOTORE	CONNECTING ROD ASSY	ENS. BIELLE	SET PLEUELSTANGE
56	118550476/0	1	ALBERO CAMME	CAMSHAFT ASSY	ARBRE À CAMES	NOCKENWELLE
57	118550465/0	1	GUARNIZIONE CARTER MOTORE	CRANKCASE GASKET	GARNITURE CARTER	GEHÄUSEDICHTUNG
59	118550471/0	1	ASS. ALBERO MOTORE	CRANKSHAFT	ARBRE MOTEUR	SET MOTORWELLE
60	118550462/0	2	CUSCINETTO	BEARING	ROULEMENT	KUEGELLAGER
61	118550463/0	2	ANELLO DI TENUTA	OIL SEAL	ANNEAU DE TENUE	DICHTRING
62	118550459/0	1	ALBERO REGOLATORE	SHAFT, GOVERNOR ARM	TRINGLE COMMANDE DE PUISSANCE DE CARBURATEUR	VERGASERLEISTUNGSEBEL- GESTÄNGE
63	118550458/0	1	ASS. REGOLATORE	SPEED GOVERNOR ASSY	ENS. RÉGULATEUR DE VITESSE	SATZ DREZAHLREGLER
66	118550489/0	1	ASS. VOLANO C/MASSE	FLYWHEEL ASS.Y	ENS. VOLANT	SCHWUNGRAD MAGNET
67	118550483/0	1	GUARNIZIONE	GASKET	GARNITURES	DICHTUNGEN
68	118550493/0	1	LEVA COMADO ARIA	CHOKE CONTROL ROD	LEVIER AIR	CHOKERHEBEL
69	118550492/0	1	MOLLA	SPRING	RESSORT	FEDER
70	118550480/0	1	CARBURATORE	CARBURETTOR	CARBURATEUR	VERGASER
71	118550482/0	1	GUARNIZIONE	GASKET	GARNITURES	DICHTUNGEN
72	118550453/0	2	PRIGIONIERO	STUD BOLT	PRISONNIER	STIFTSCHRAUBE
73	118550484/0	1	COLLETTORE ASPIRAZIONE	INTAKE MANIFOLD	COLLECTEUR ASPIRATION	KOLLEKTOR ANSAUGUNG

165F-3

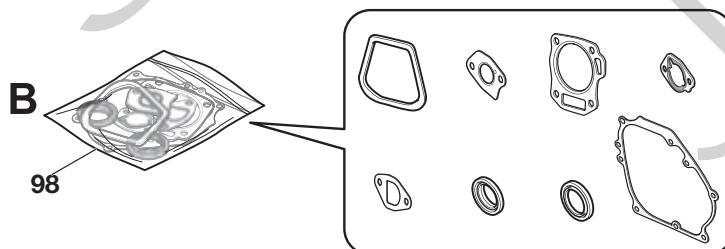
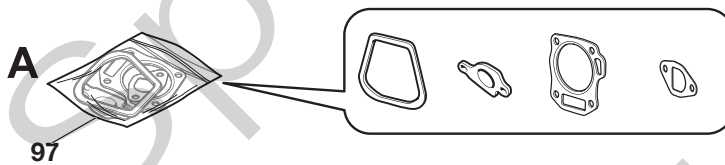
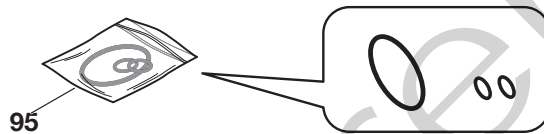
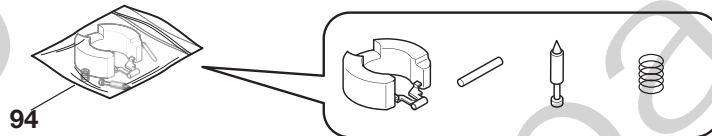
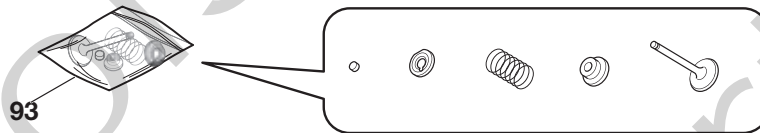
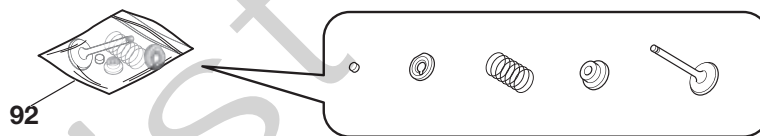
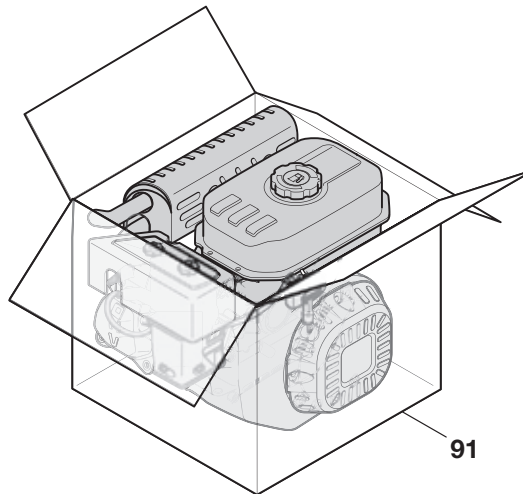
182 cc



2009

403.0

5 / 6



N.	CODE	Q.TY	DESCRIZIONE	DESCRIPTION	DESCRIPTION	BESCHREIBUNG
91	118550508/0	1	MOTORE COMPLETO	ENGINE ASSEMBLED	MOTEUR COMPLETE	MOTOR KOMPLETT
92	118550472/0	1	ASS. VALVOLA ASPIRAZIONE	INTAKE VALVE ASSY	ENS. SOUPE ASPIRATION	SATZ ANSAUGVENTIL
93	118550473/0	1	ASS. VALVOLA SCARICO	EXHAUST VALVE ASSY	ENS. SOUPE ÉVACUATION	SATZ ABFLUSSVENTIL
94	118550486/0	1	KIT RIPARAZIONE CARBURATORE	KIT REPAIR, CARBURETTOR	KIT RÉPARATION CARBURETEUR	SATZ REPARATUR, VERGASER
95	118550485/0	1	ASS. GURANIZIONI CARBURATORE	GASKET CARBURETTOR ASSY	ENS. GARNITURES CARBURATEUR	SATZ DICHTUNGEN FÜR VERGASER
96	118550481/0	1	LEVA ARIA	CHOKE LEVER	LEVIER AIR	CHOKERHEBEL
97	118550506/0	1	ASS. GUARNIZIONI TESTA CILINDRO	CYLINDER HEAD GASKET SET	CULASSE CYLINDRE KIT GARNITURES	SATZ DICHTUNGEN ZYLINDERKOPF
98	118550507/0	1	ASS. GUARNIZIONI MOTORE	ENGINE GASKET SET	KIT GARNITURES MOTEUR	SATZ DICHTUNGEN MOTOR

Joist
Spareparts
Joist