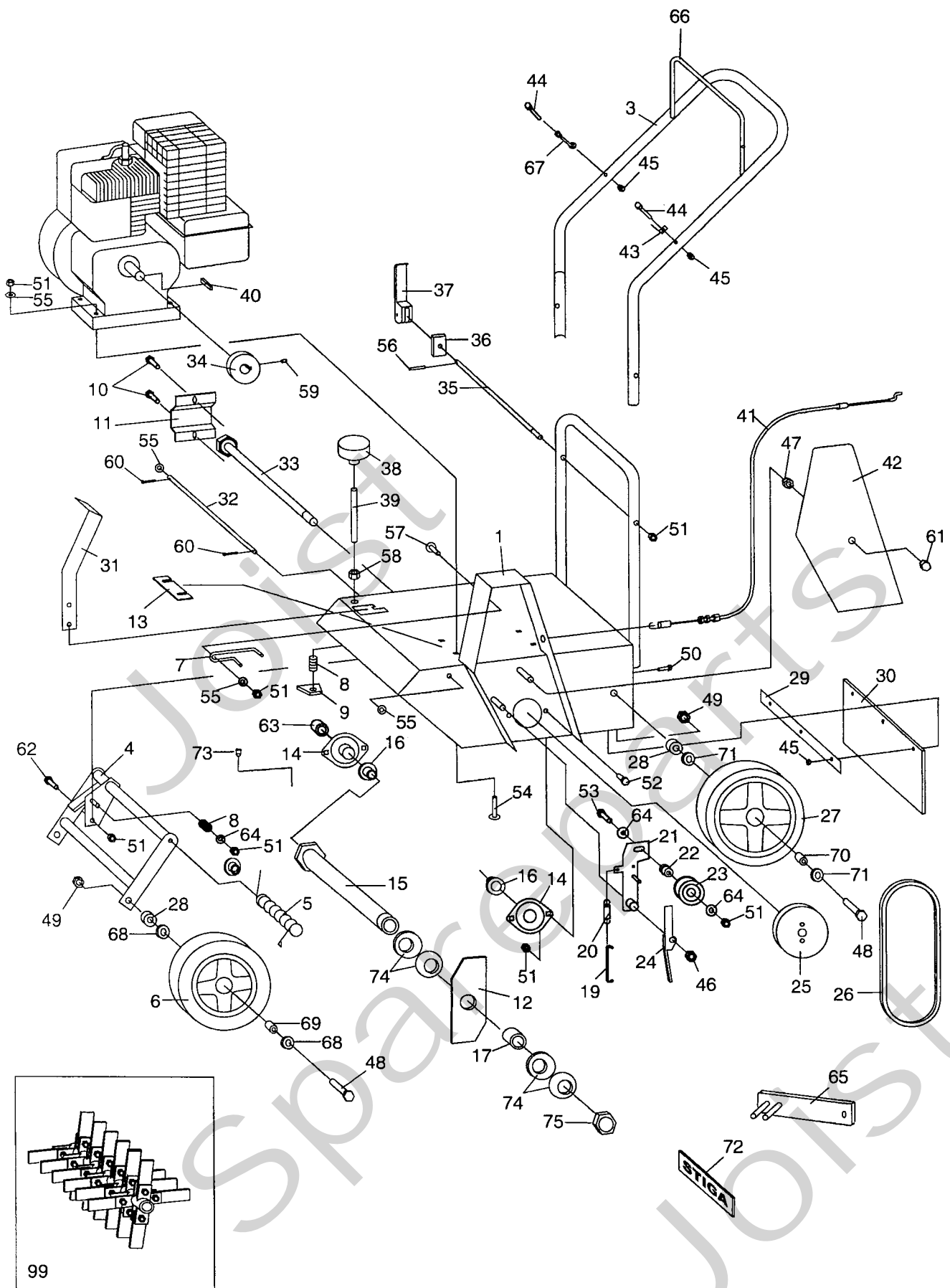


# Genuine Spare Parts

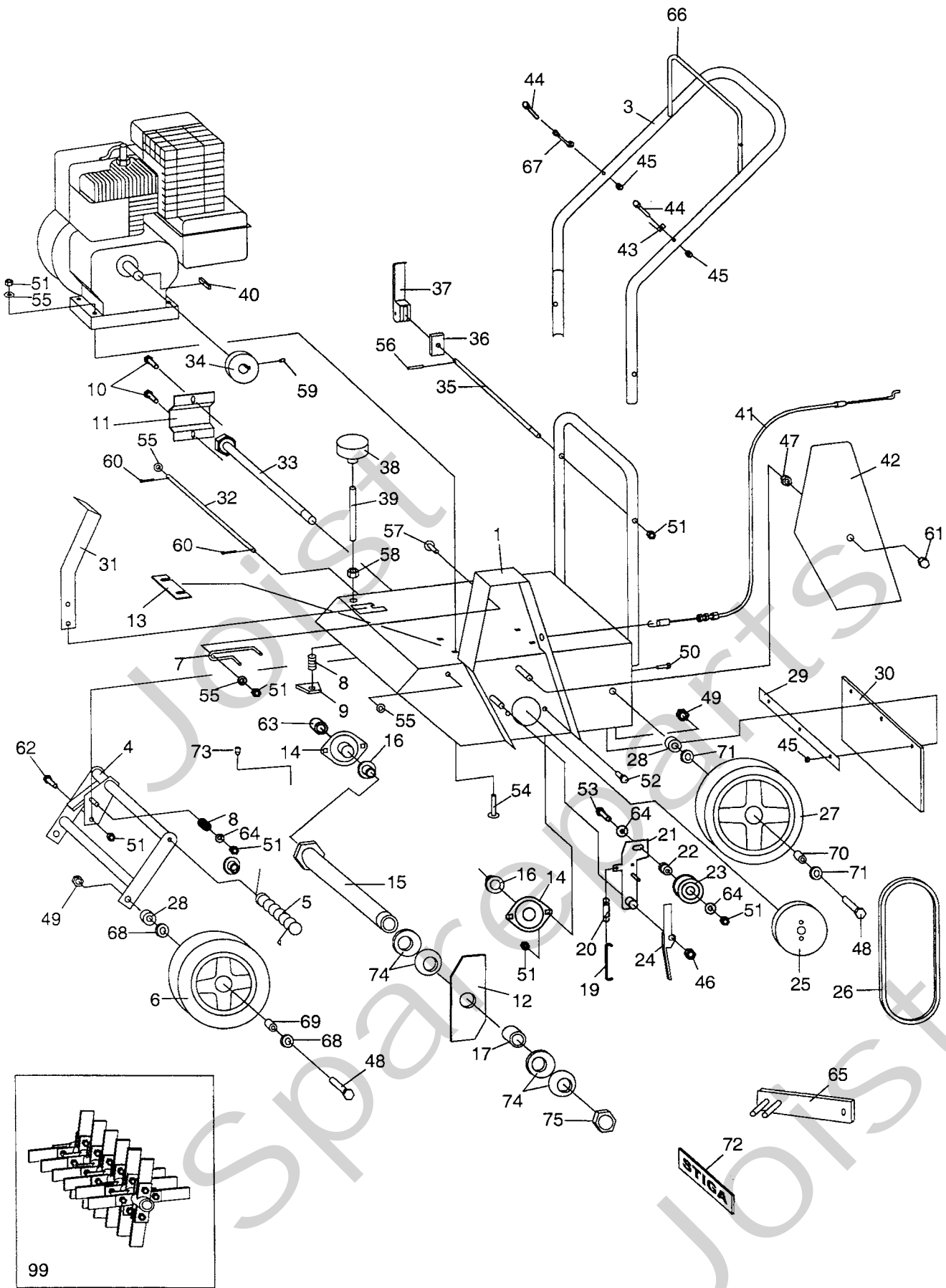
---



Spareparts  
Joist



Utgåva Issue		Bildnr Picture No		VB 40 VERTIKALSKÄRARE	VB 40 SCARIFIER	Sida Page		
2006- 12		1842				220		
Pos. Fig.	Antal/Quantity			Art nr Part No	Benämning	Description	Sats Kit	Anmärkning Notes
	2111							
1	1			1319- 1617- 01	Chassi.....	Frame.....		
3	1			1319- 1618- 01	Styre.....	Handlebar.....		
4	1			1319- 1619- 01	Hjulbygel.....	Wheel attachment.....		
5	1			1319- 1620- 01	Vridfjäder.....	Torsion spring.....		
6	2			1111- 1508- 01	Hjul m.lager.....	Wheel w.bearings.....		Inkl. pos 68
7	1			1319- 1621- 01	Remstyrning.....	Belt guide.....		
8	2			1319- 1622- 01	Fjäder.....	Spring.....		
9	1			1319- 1623- 01	Låsbleck.....	Lock plate.....		
10	2			9997- 0816- 16	Skruv.....	Screw.....		
11	1			1319- 1699- 01	Skydd.....	Cover.....		
12	14			1319- 1656- 01	Knivblad.....	Tine.....		
13	2			1319- 1700- 01	Monteringsplatta.....	Mounting plate.....		
14	2			1319- 1628- 01	Lager.....	Bearing.....		
15	1			1319- 1655- 01	Rotoraxel.....	Rotor shaft.....		
16	2			1319- 1630- 01	Distans.....	Spacer.....		
17	13			1319- 1851- 01	Hylsa.....	Collar.....		
19	1			1319- 1634- 01	Fjäderhållare.....	Spring holder.....		
20	1			1319- 1635- 01	Fjäder.....	Spring.....		
21	1			1319- 1636- 01	Spännarm.....	Tension lever.....		
22	1			1319- 1637- 01	Distans.....	Spacer.....		
23	1			1319- 1638- 01	Spännrulle.....	Tension roller.....		
24	1			1319- 1639- 01	Rembroms.....	Belt brake.....		
25	1			1319- 1640- 01	Remskiva.....	Pulley.....		
26	1			9585- 0003- 02	Kilrem.....	V- belt.....		
27	2			1111- 2116- 01	Hjul m.lager.....	Wheel w.bearings.....		Inkl. pos 71
28	4			1319- 1642- 01	Distans.....	Spacer.....		
29	1			1319- 1643- 01	Stödplatta.....	Plate.....		
30	1			1319- 1644- 01	Gummiskydd.....	Rubber guard.....		
31	1			1319- 1645- 01	Lyftspak.....	Lift lever.....		
32	1			1319- 1646- 01	Axel.....	Shaft.....		
33	1			1319- 1647- 01	Specialskruv.....	Special screw.....		
34	1			1319- 1648- 01	Motorremskiva.....	Engine belt pulley.....		
35	1			1319- 1649- 01	Spännstång.....	Tension rod.....		
36	1			4231- 0135- 01	Plastbricka.....	Plastic plate.....		
37	1			1111- 1016- 01	Låshandtag.....	Locking handle.....		
38	1			1319- 1650- 01	Inställningsratt.....	Grip.....		
39	1			1319- 1651- 01	Skruv.....	Screw.....		
40	1			91539	Kil.....	Key.....		Motor-del/engine part
41	1			1319- 1652- 01	Kopplingswire.....	Clutch cable.....		
42	1			1319- 1653- 01	Remskydd.....	Belt cover.....		
43	1			1319- 1654- 01	Wirehållare.....	Cable holder.....		
44	2			9898- 0635- 12	Skruv.....	Screw.....		
45	5			9747- 0631- 02	Låsmutter.....	Lock nut.....		
46	2			9747- 1031- 02	Låsmutter.....	Lock nut.....		
47	1			9747- 1031- 02	Låsmutter.....	Lock nut.....		
48	4			1319- 1659- 01	Skruv.....	Screw.....		
49	4			9747- 1231- 02	Låsmutter.....	Lock nut.....		
50	3			9997- 0616- 16	Skruv.....	Screw.....		
51	13			9747- 0831- 02	Mutter.....	Lock nut.....		
52	4			9997- 0816- 16	Skruv.....	Screw.....		
53	1			9997- 0840- 16	Skruv.....	Screw.....		
54	4			9898- 0845- 12	Skruv.....	Screw.....		
55	7			9699- 0028- 02	Planbricka.....	Flat washer.....		
56	1			9595- 0235- 00	Spännstift.....	Locating pin.....		
57	1			9898- 0820- 16	Skruv.....	Screw.....		
58	1			9747- 1231- 02	Låsmutter.....	Lock nut.....		
59	1			9915- 0808- 15	Stoppsskruv.....	Set screw.....		
60	2			9599- 0067- 02	Saxsprint.....	Cotter pin.....		
61	1			1319- 1660- 01	Hattmutter.....	Cap nut.....		
62	1			9997- 0825- 16	Skruv.....	Screw.....		
63	1			1319- 1732- 01	Distans.....	Collar.....		
64	3			9699- 0062- 02	Planbricka.....	Flat washer.....		
65	1			1319- 1775- 01	Nyckel.....	Pin wrench.....		



Utgåva Issue		Bildnr Picture No		VB 40 VERTIKALSKÄRARE	VB 40 SCARIFIER	Sida Page		
2006-12		1842				222		
Pos. Fig.	Antal/Quantity			Art nr Part No	Benämning	Description	Sats Kit	Anmärkning Notes
	2111							
66	1			1319-1777-01	Kopplingshandtag.....	Clutch handle .....		
67	1			1111-3062-01	Ögla.....	Eyelink .....		
68	2			9549-0015-00	• Kullager .....	• Ball bearing .....		
69	2			1319-1806-01	Bussning .....	Collar .....		17.2 x 19.5
70	2			1319-1805-01	Bussning .....	Collar .....		17.2 x 16.5
71	2			9549-0001-00	• Kullager .....	• Ball bearing .....		
72	1			1111-2823-01	Frontemblem .....	Front sign .....		
73	1			1319-1853-01	Stoppsskruv .....	Set screw .....		
74	4			1319-1850-01	Fjäderbricka .....	Spring washer .....		
75	1			1319-1852-01	Mutter.....	Nut .....		
99	1			1319-1704-01	Mossrivaraxel kpl .....	Flail shaft assy .....		Tillbehör/Accessory