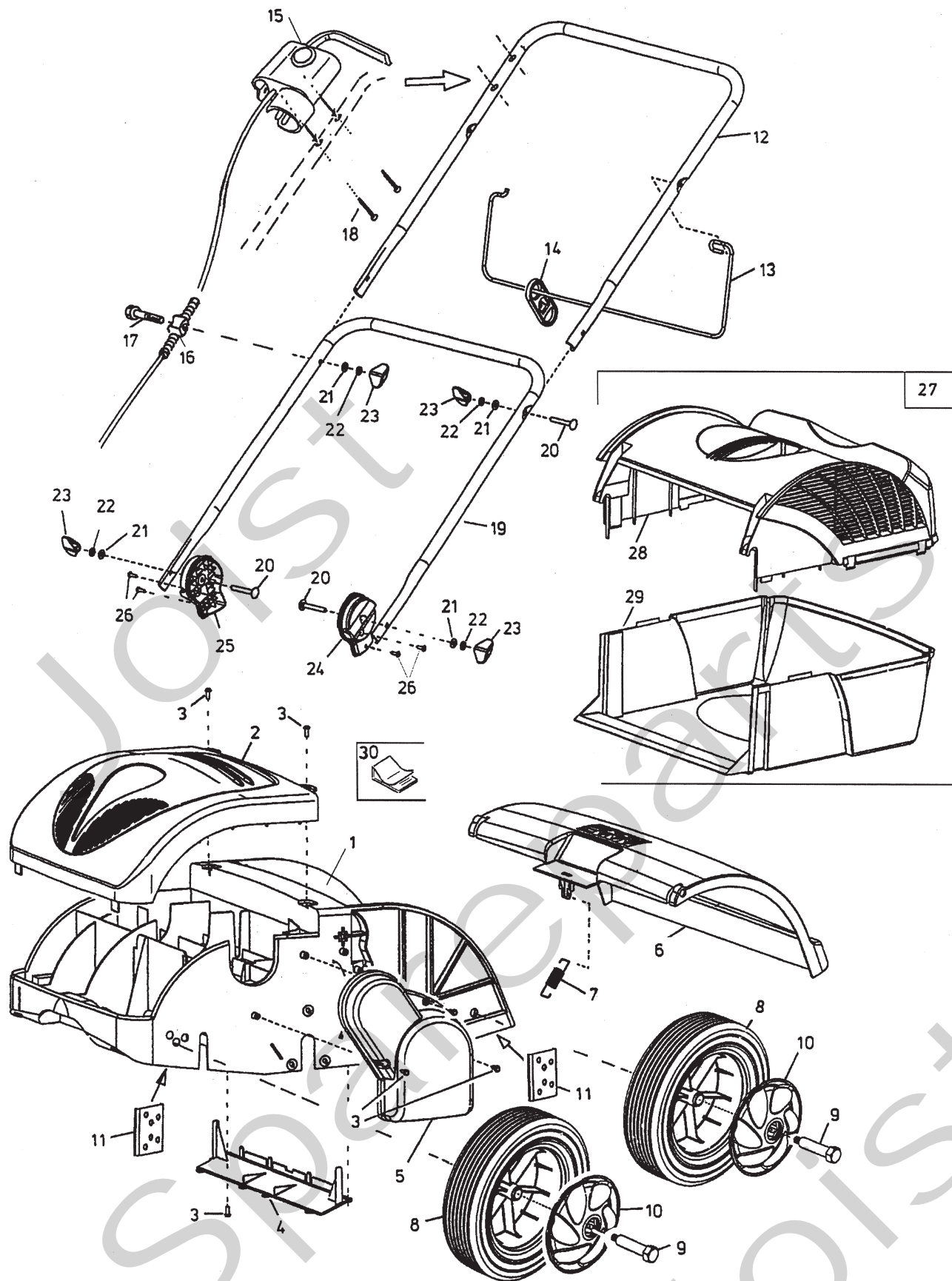


Genuine Spare Parts



Joist
Spareparts
Joist



| Utgåva Issue 2005-12 | | Bildnr Picture No 1843 | | VE 34 VERTIKALSKÄRARE CHASSI | | VE 34 SCARIFIER CHASSIS | | Sida Page 214 | |
|----------------------------|----------------|------------------------------|--|------------------------------------|-----------------------------|-------------------------------|-------------|---------------------|--|
| Pos. Fig. | Antal/Quantity | | | Art nr Part No | Benämning | Description | Sats Kit | Anmärkning Notes | |
| | 2312 | | | | | | | | |
| X | 1 | 1 | | 1126-0238-01 | Chassie | Housing | | | |
| X | 2 | 1 | | 1126-0250-01 | Motorkåpa | Motor cover | | | |
| X | 3 | 7 | | 9838-9516-12 | Skruv | Screw | | | |
| X | 4 | 1 | | 1126-0247-01 | Lock-inre | Cover-inner | | | |
| X | 5 | 1 | | 1126-0246-01 | Remskydd | Belt protection | | | |
| X | 6 | 1 | | 1126-0239-01 | Deflektor | Deflector | | | |
| X | 7 | 1 | | 1126-0258-01 | Fjäder | Spring | | | |
| X | 8 | 4 | | 1126-0259-01 | Hjul | Wheel | | | |
| X | 9 | 4 | | 1126-0273-01 | Hjulbult | Wheel axle bolt | | | |
| X | 10 | 4 | | 1126-0222-01 | Navkapsel | Wheel cap | | | |
| X | 11 | 4 | | 1126-0312-01 | Axelstötplåt | Axle support | | | |
| X | 12 | 1 | | 1126-0285-01 | Styre-överdel | Handle-upper | | | |
| X | 13 | 1 | | 1126-0280-01 | Stång-dragavlastare | Rod-cable guide | | | |
| X | 14 | 1 | | 1126-0231-01 | Dragavlastare | Cable clamp | | | |
| X | 15 | 1 | | 1126-0229-01 | Manöverdosa | Switch/plug | | | |
| X | 16 | 1 | | 1126-0200-01 | • Wireskydd | • Cable protection | | Inkl. pos 16 - 17 | |
| X | 17 | 1 | | 9997-0855-12 | • Skruv | • Screw | | | |
| X | 18 | 2 | | 9838-9216-12 | Skruv | Screw | | | |
| X | 19 | 1 | | 1126-0284-01 | Styre-underdel | Handle-lower | | | |
| X | 20 | 3 | | 9898-0855-12 | Skruv | Screw | | | |
| X | 21 | 4 | | 9699-0090-02 | Planbricka | Flat washer | | | |
| X | 22 | 4 | | 1126-0264-01 | Låsbricka | Lock washer | | | |
| X | 23 | 4 | | 1126-0223-01 | Vingmutter | Wing nut | | | |
| X | 24 | 1 | | 1126-0244-01 | Styrfäste-vä | Handle bracket-LH | | | |
| X | 25 | 1 | | 1126-0245-01 | Styrfäste-hö | Handle bracket-RH | | | |
| X | 26 | 4 | | 9838-9516-12 | Skruv | Screw | | | |
| X | 27 | 1 | | ..26-9912-11 | Uppsamlare kpl | Grass catcher assy | | Tillbehör/Accessory | |
| X | 28 | 1 | | 1126-0248-01 | • Uppsamlare-överdel | • Catcher half-upper | | | |
| X | 29 | 1 | | 1126-0249-01 | • Uppsamlare-underdel | • Catcher half-lower | | | |
| X | 30 | 1 | | 9401-0200-00 | Kabelhållare | Cable holder | | | |

| Utgåva Issue 2005- 12 | | Bildnr Picture No 1844 | | VE 34 VERTIKALSKÄRARE KNIVAR | | VE 34 SCARIFIER BLADES | | Sida Page 216 | |
|-----------------------------|----------------|------------------------------|--|------------------------------------|--------------------|------------------------------|-------------|------------------------|--|
| Pos. Fig. | Antal/Quantity | | | Art nr Part No | Benämning | Description | Sats Kit | Anmärkning Notes | |
| | | | | | | | | | |
| | | 2312 | | | | | | | |
| X | 1 | 1 | | 1126-0228-01 | Elmotor..... | El. motor..... | | 1200 W - 230 V 16 F | |
| X | 1A | 1 | | 1126-0230-01 | • Kondensator..... | • Condensor..... | | | |
| X | 2 | 1 | | 1126-0252-01 | Luftstyrning..... | Air guide..... | | | |
| X | 3 | 4 | | 1126-0213-01 | Skruv..... | Screw..... | | | |
| X | 4 | 1 | | 1126-0315-01 | Motorfäste..... | Motor bracket..... | | | |
| | 5 | 4 | | 9997-0620-16 | Skruv..... | Screw..... | | | |
| | 6 | 5 | | 9683-0030-02 | Låsbricka..... | Lock washer..... | | | |
| | 7 | 5 | | 9699-0090-02 | Planbricka..... | Flat washer..... | | | |
| | 8 | 1 | | 9997-0625-16 | Skruv..... | Screw..... | | | |
| X | 9 | 1 | | 1126-0241-01 | Kuggremskiva..... | Toothed belt pulley..... | | | |
| X | 10 | 1 | | 1126-0296-01 | Kuggrem..... | Toothed belt..... | | | |
| X | 11 | 2 | | 1126-0216-01 | Skruv..... | Screw..... | | | |
| X | 12 | 1 | | 1126-0240-01 | Kuggremskiva..... | Toothed belt pulley..... | | | |
| X | 13 | 1 | | 1126-0314-01 | Fyrkantbricka..... | Square washer..... | | | |
| X | 14 | 1 | | 1126-0294-01 | Distans..... | Spacer..... | | | |
| | 15 | 2 | | 9549-0044-00 | Kullager..... | Ball bearing..... | | | |
| X | 16 | 2 | | 1126-0281-01 | Lagerplatta..... | Axle bearing..... | | | |
| | 17 | 6 | | 9997-0616-16 | Skruv..... | Screw..... | | | |
| | 18 | 6 | | 9683-0025-02 | Låsbricka..... | Lock washer..... | | | |
| | 19 | 8 | | 9699-0025-02 | Planbricka..... | Washer..... | | | |
| X | 20 | 2 | | 1126-0265-01 | Bussning..... | Bushing..... | | | |
| X | 21 | 2 | | 1126-0316-01 | Skyddslock..... | Protection case..... | | | |
| X | 22 | 2 | | 1126-0243-01 | Distansrör..... | Distance tube..... | | | |
| X | 23 | 4 | | 1126-0266-01 | Fjäderbricka..... | Spring washer..... | | | |
| X | 24 | 15 | | 1126-0276-01 | Kniv..... | Blade..... | | | |
| X | 25 | 14 | | 1126-0242-01 | Knivstöd..... | Blade support..... | | | |
| X | 26 | 1 | | 1126-0274-01 | Knivaxel..... | Blade spindle..... | | | |
| X | 27 | 1 | | 1126-0251-01 | Skyddskåpa..... | Protection cover..... | | | |
| X | 28 | 1 | | 1126-0201-01 | Bricka..... | Shim..... | | | |