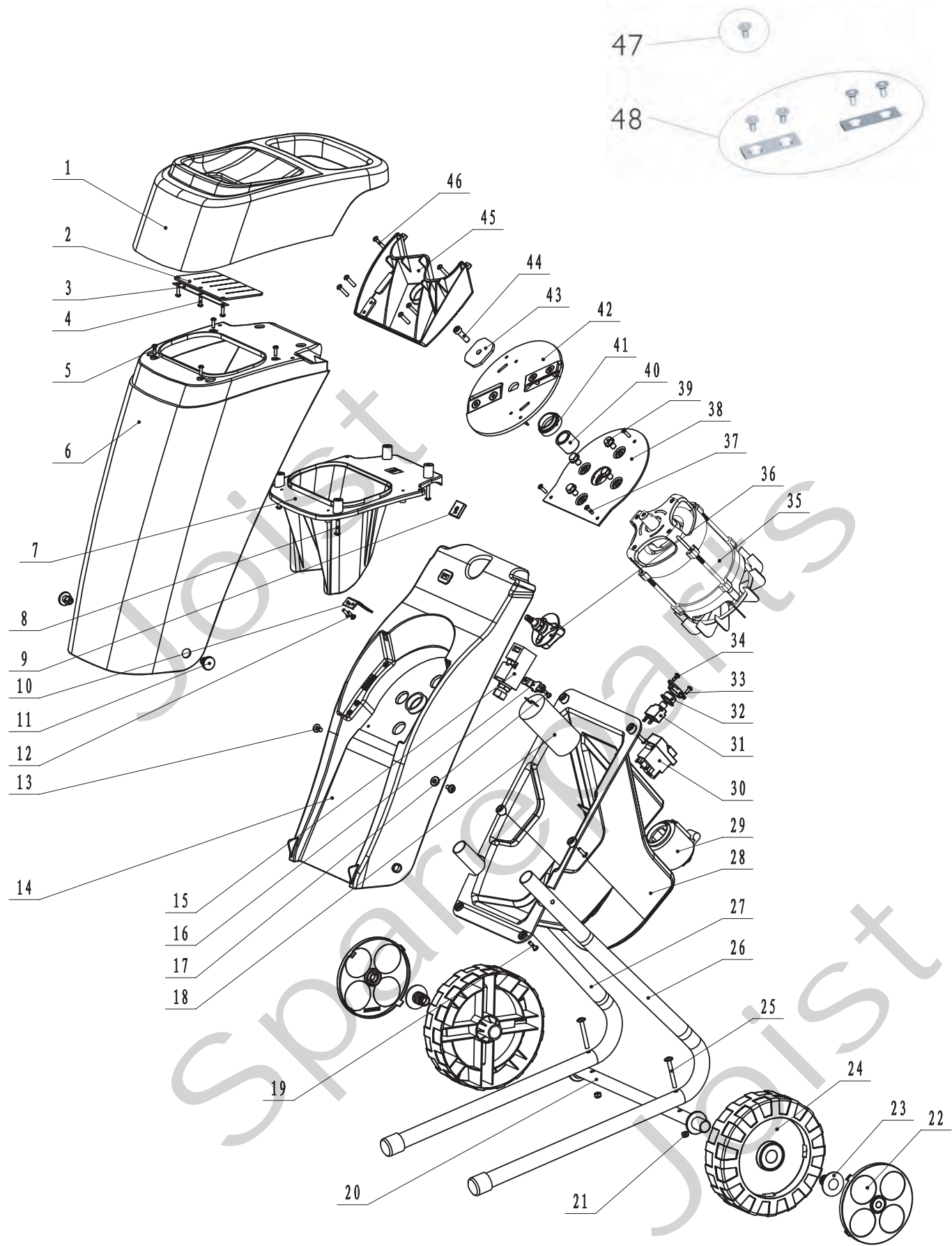


# Genuine Spare Parts

---



Joist  
Spareparts  
Joist



Utgåva Issue		Bildnr Picture No		BIO- POWER KOMPOSTKVARN		BIO- POWER CHIPPER		Sida Page	
2007- 12		2051A						234	
Pos. Fig.	Antal/Quantity			Art nr Part No	Benämning	Description	Sats Kit	Anmärkning Notes	
	2720 -11	2724 -11							
1	1	1		1716-0086-01	Inmatningshus.....	Feeding barrel .....			
2	1	1		1716-0113-01	Gummiskydd .....	Rubber flap .....			
3	1	1		1716-0107-01	Platta .....	Bar washer .....			
4	3	3		1716-0005-01	Skruv .....	Screw .....			
5	4	4		9847-8025-16	Skruv .....	Screw .....			
6	1	1		1716-0087-01	Kåpa- gul .....	Main cover- yellow .....			
7	1	1		1716-0092-01	Inmatningstratt.....	Feeding inlet.....			
8	4	4		9847-8025-16	Skruv .....	Screw .....			
9	1	1		1716-0116-01	Fyrkantmutter .....	Square nut .....			
10	1	1		1716-0115-01	Bleck.....	Key.....			
11	2	2		1716-0085-01	Bult.....	Bolt .....			
12	2	2		1716-0005-01	Skruv .....	Screw .....			
13	2	2		1716-0060-01	Skruv .....	Screw .....			
14	1	1		1716-0088-01	Basplatta.....	Base plate .....			
15	1	1		1716-0072-01	Brytare.....	Switch .....			
16	1	1		1716-0090-01	Plastlist.....	Plastic board.....			
17	2	2		9847-8025-16	Skruv .....	Screw .....			
18		1		1716-0065-01	Kondensator .....	Capacitor.....	2500W		
18	1			1716-0129-01	Kondensator .....	Capacitor.....	2100W		
19	2	2		1716-0007-01	Skruv .....	Screw .....			
20	1	1		1716-0101-01	Hjulaxel.....	Wheel shaft .....			
21	2	2		9799-0631-02	Mutter.....	Nut .....			
22	2	2		1716-0054-01	Navkapsel- gul .....	Wheel cover- yellow .....			
23	2	2		1716-0084-01	Plastnit .....	Plastic rivet .....			
24	2	2		1716-0091-01	Hjul.....	Wheel.....			
25	2	2		9948-0655-16	Skruv .....	Screw .....			
26	1	1		1716-0117-01	Ben- vä.....	Support leg- LH.....			
27	1	1		1716-0118-01	Ben- hö.....	Support leg- RH.....			
28	1	1		1716-0089-01	Motorkåpa .....	Motor cover .....			
29	1	1		1716-0119-01	Anslutn.kontakt.....	Plug .....			
30	1	1		1716-0071-01	Brytare.....	Electromagn.switch.....			
31		1		1716-0095-01	Överbelastningsskydd .....	Overload protector .....	2500W		
31	1			1716-0157-01	Överbelastningsskydd .....	Overload protector .....	2100W		
32	1	1		1716-0068-01	Tätningshylsa .....	Water proof sleeve .....			
33	1	1		1716-0082-01	Tryckring .....	Pressure ring .....			
34	2	2		1716-0062-01	Skruv .....	Screw .....			
35		1		1716-0098-01	Elmotor.....	Motor .....	2500W		
35	1			1716-0195-01	Elmotor.....	Motor .....	2100W		
36	1	1		1716-0114-01	Lås ratt .....	Locking knob .....			
37	3	3		9847-7925-16	Skruv .....	Screw .....			
38	1	1		1716-0111-01	Motorplatta.....	Fixed plate.....			
39	4	4		1716-0035-01	Skruv .....	Screw .....			
40	1	1		1716-0109-01	Axelhylsa .....	Shaft sleeve.....			
41	1	1		1716-0069-01	Tätningring .....	Waterproof hat .....			
42	1	1		1716-0105-01	Knivskiva .....	Blade disc .....			
43	1	1		1716-0110-01	Knivskivsbricka.....	Blade disc washer .....			
44	1	1		1716-0058-01	Skruv .....	Screw .....			
45	1	1		1716-0112-01	Mothåll .....	Counter block.....			
46	6	6		1716-0005-01	Skruv .....	Screw .....			
47	4	4		1716-0059-01	• Skruv .....	• Screw .....			
48	1	1		1716-0108-01	Knivsats.....	Blade kit .....	2 kniv+4 skruv		