

Genuine Spare Parts

www.stiga.com

SBL 260 H Model Year 2010

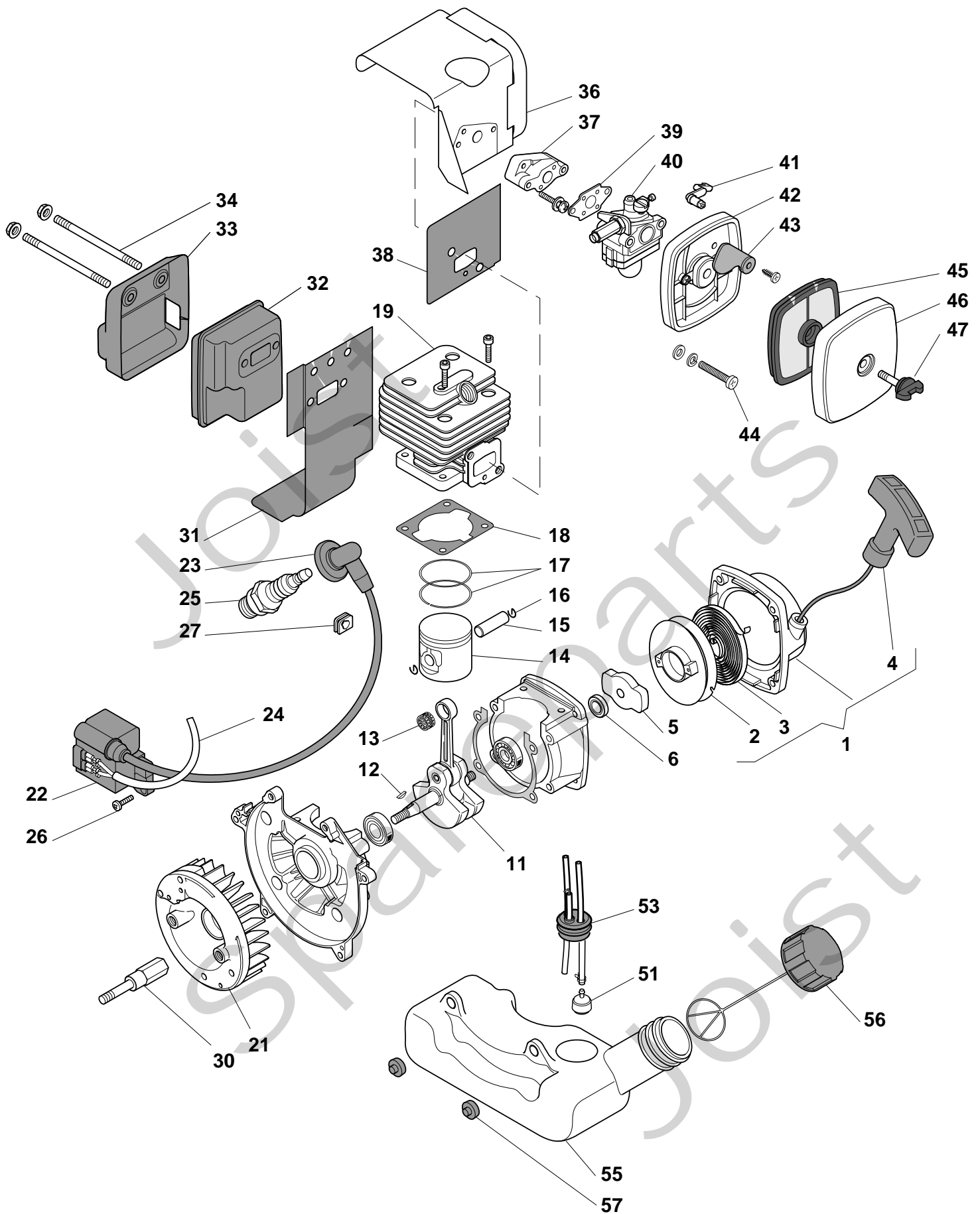
UPDATED ON 7 JUNE

- Use GLOBAL GARDEN PRODUCT Genuine Spare Parts specified in the parts list for repair and/or replacement.
- The contents described in the parts list may change due to improvement.
- The drawings of the spare parts are only indicative and might not represent the part in question exactly.
- The indications "right" - "left" - "front" - "rear" refer to the position of the operator when using the machine.
- When placing orders of parts for repair and/or replacement, make sure that the illustrated parts list is the one applying to the machine's year of manufacture, as shown on the identification plate attached to the machine.

COPYRIGHT by GLOBAL GARDEN PRODUCTS

All rights reserved. No part of this material may be reproduced or transmitted, in any form or by any means, electronic or mechanical, including photocopying, recording or by any information storage and retrieval system, without permission in writing from GLOBAL GARDEN PRODUCTS.

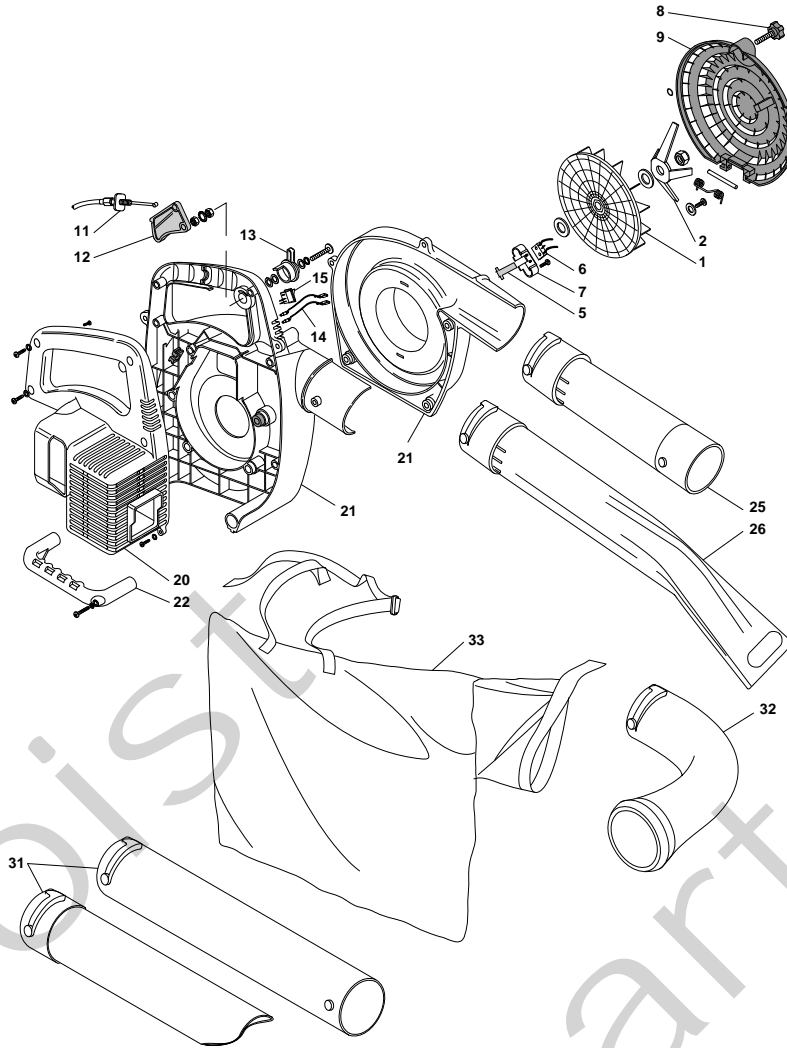
STIGA®





SBL 260 H - Model Year 2010

Pos. Fig.	Antal Quantity	Art No Part No	Benämning	Description	Anmärkning Notes
1	1	183058031/0	Start kpl	Starter Ass.Y	
2	1	123604006/0	Linhjul	Starter Pulley	
3	1	123430584/0	Startfjäder	Spring	
4	1	123300012/0	Star handtag	Starter Handle	
5	1	183082002/0	Startkopp	Starter Cup Ass.Y	
6	2	119035159/0	Tätningring	Seal Ring	
11	1	123020024/0	Vevaxel	Crankshaft	
12	1	123072004/0	Vevaxel	Flywheel Key	
13	1	123235006/0	Nållager	Needle Bearing	
14	1	123590007/0	Kolv	Piston	
15	1	123760005/0	Kolvbult	Piston Pin	
16	2	123202005/0	Låsring	Washer, Piston Pin	
17	2	123204009/0	Kolvring	Piston Ring	
18	1	123280044/0	Cylinderkäpa	Cylinder Gasket	
19	1	123071021/0	Cylinder	Cylinder	
21	1	123880010/0	Svånghjul	Flywheel Ass.Y	
22	1	118801574/0	Elektronikspole	Ignition Ass'Y	
23	1	123053004/0	Tändstiftshatt	Spark Plug Cover	
24	1	123065040/0	Jordkabel	Earth Cable	
25	1	3210024	Tändstift	Spark Plug	
26	2	123878070/0	Skruv	Screw	
27	1	123275023/0	Hylsa	Grommet	
30	1	123020029/0	Kupplungsteil	Joint Chair Ass'Y	
31	1	123280057/0	Ljuddämparskydd	Muffler Shield	
32	1	183740016/0	Ljuddämpare	Muffler	
33	1	123600068/0	Ljuddämparskydd	Muffler Shield	
34	2	123878071/0	Stud Skruv	Double-Screw Bolt	
36	1	123600069/0	Skydd	Guard	
37	1	123073508/0	Insugningsrör	Intake Manifold	
38	1	123280058/0	Packning	Gasket	
39	1	123280059/0	Packning	Intake-Carb Gasket	
40	1	123054033/0	Förgasare	Carburettor	
41	1	123315090/0	Chokearm	Choke Lever	
42	1	123040003/0	Luftfilterstöd	Air Filter Holder	
43	1	123190001/0	Chokespjäll	Starter Valve	
44	2	123878072/0	Skruv	Screw	
45	1	123220012/0	Luftfilter	Air Filter	
46	1	123090031/0	Filterabd.	Filter Cover	
47	1	123878073/0	Knopp	Knob	
51	1	183520006/0	Bränslefilter	Intake Filter Assy	
53	1	123275021/0	Gummihylsa	Grommet	
55	1	123733004/0	Tank	Fuel Tank	
56	1	183790009/0	Tanklock	Fuel Cap Assy	
57	2	123280060/0	Gummihylsa	Grommet	



Pos. Fig.	Antal Quantity	Art No Part No	Benämning	Description	Anmärkning Notes
1	1	123876002/0	Fläkt	Fan	
2	1	123305003/0	Kniv	Comminute Board	
5	1	123606004/0	Stopplatta	Stop plate	
6	1	123303005/0	Brytare	Switch	
7	1	123671500/0	Stopplatta	Stop plate	
8	1	123593506/0	Lås ratt	Knob	
9	1	123109575/0	Air Intake Grill	Intake grille	
11	1	123065042/0	Gaswire	Wire Ass.Y	
12	1	123315091/0	Gasreglage	Throttle Lever	
13	1	123315092/0	Kabel	Throttle lockout	
14	1	123065041/0	Stoppkabel	Stop Wire	
15	1	123303004/0	Brytare	Switch	
20	1	123600070/0	Handtag-gul	Semi-Handgrips Yellow	
21	1	183107500/0	Luftledare-gul	Air Conveyor, Yellow	
22	1	123700064/0	Starthandtag	Lower handgrip	
25	1	123867016/0	Primer	First blower tube	
26	1	123867015/0	Zweitens Blasrohr	Second blower tube	
31	1	183869071/0	Primer	First and second vacuum tube	
32	1	123867017/0	Anschlussleitung Fangsack	Tube fittings bag	
33	1	123666000/0	Uppsamlare	Bag	