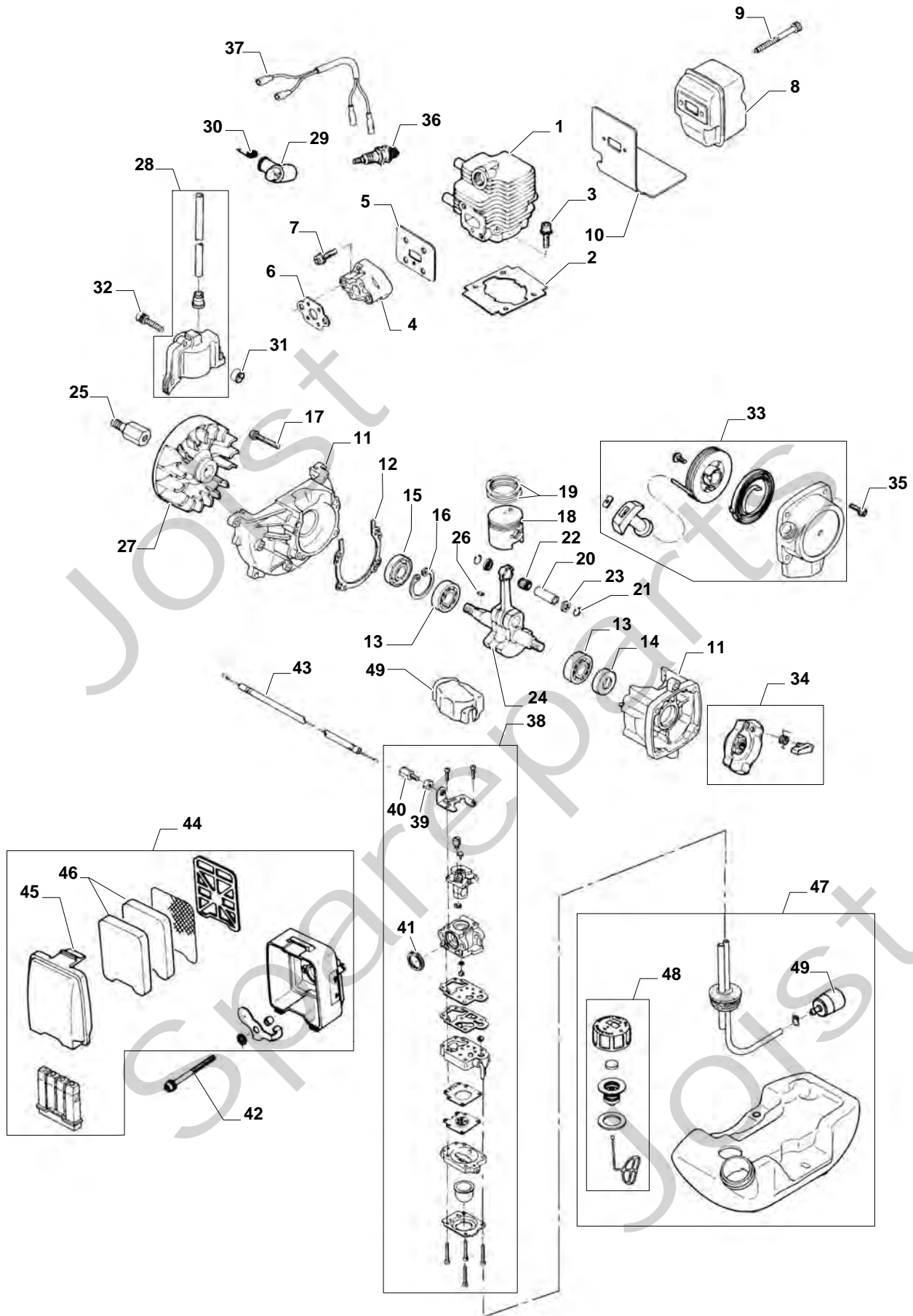


# Genuine Spare Parts

---

**SBL 250 H**

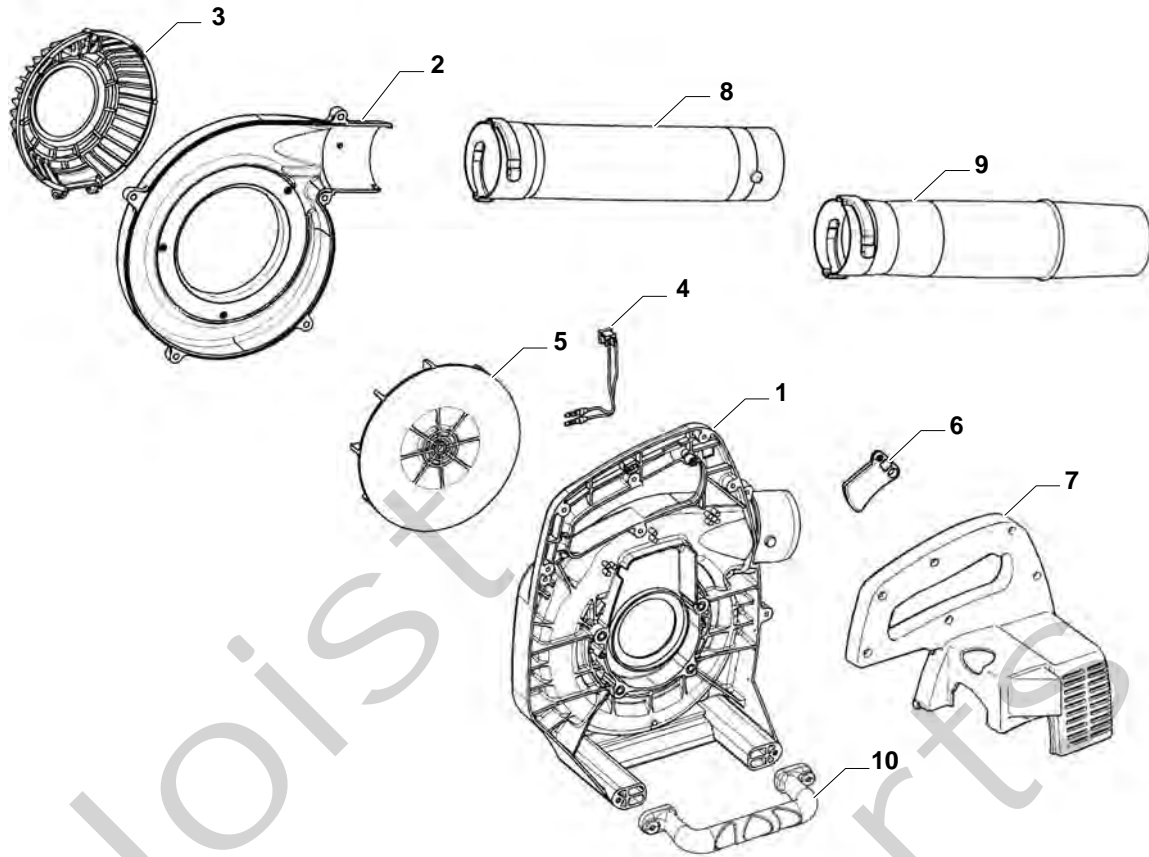






## SBL 250 H - Model Year 2008

| Pos. Fig. | Antal Quantity | Art No Part No | Benämning        | Description             | Anmärkning Notes |
|-----------|----------------|----------------|------------------|-------------------------|------------------|
| 1         | 1              | 123071007/0    | Cylinder         | Cylinder Assy           |                  |
| 2         | 1              | 123280021/0    | Cylinderklåpa    | Cylinder Gasket         |                  |
| 3         | 1              | 123878046/0    | Skruv            | Screw                   |                  |
| 4         | 1              | 123073507/0    | Insugningsrör    | Intake Manifold         |                  |
| 5         | 1              | 123280017/0    | Packning         | Intake Manif-Gasket     |                  |
| 6         | 1              | 123280018/0    | Packning         | Intake-Carb Gasket      |                  |
| 7         | 1              | 123878043/0    | Skruv            | Screw                   |                  |
| 8         | 1              | 183740003/0    | Ljuddämpare      | Muffler                 |                  |
| 9         | 1              | 123878048/0    | Skruv            | Screw                   |                  |
| 10        | 1              | 123280020/0    | Packning         | Gasket                  |                  |
| 11        | 1              | 183057005/0    | Vevhus           | Crankcase               |                  |
| 12        | 1              | 123280019/0    | Packning         | Gasket                  |                  |
| 13        | 1              | 114215214/0    | Kullager         | Ball Bearing            |                  |
| 14        | 1              | 6995257        | Tätningring      | Seal Ring               |                  |
| 15        | 1              | 119035157/0    | Tätningring      | Seal Ring               |                  |
| 16        | 1              | 112610001/0    | Låsring          | Ring                    |                  |
| 17        | 1              | 123878045/0    | Skruv            | Screw                   |                  |
| 18        | 1              | 123590002/0    | Kolv             | Piston                  |                  |
| 19        | 1              | 123204002/0    | Kolvring         | Piston Ring             |                  |
| 20        | 1              | 123760000/0    | Kolvbult         | Piston Pin              |                  |
| 21        | 1              | 6995171        | Låsring          | Washer, Piston Pin      |                  |
| 22        | 1              | 6995237        | Nållager         | Needle Bearing          |                  |
| 23        | 1              | 6995169        | Bricka           | Washer                  |                  |
| 25        | 1              | 123020017/0    | Vevaxel          | Crankshaft              |                  |
| 25        | 1              | 123867011/0    | Axelförlängning  | Pivot                   |                  |
| 26        | 1              | 6995018        | Kil              | Flywheel Key            |                  |
| 27        | 1              | 123880004/0    | Svänghjul        | Flywheel                |                  |
| 28        | 1              | 123044005/0    | Elektronikspole  | Electronic Coil         |                  |
| 29        | 1              | 123053001/0    | Tändstiftshatt   | Spark Plug Cover        |                  |
| 30        | 1              | 123430576/0    | Fjäder           | Spark Plug Spring       |                  |
| 31        | 1              | 123160052/0    | Distans          | Spacer                  |                  |
| 32        | 1              | 123878047/0    | Skruv            | Screw                   |                  |
| 33        | 1              | 183058014/0    | Start kpl        | Starter Ass.Y           |                  |
| 34        | 1              | 183082001/0    | Startkopp        | Starter Cup Ass.Y       |                  |
| 35        | 1              | 123878042/0    | Skruv            | Screw                   |                  |
| 36        | 1              | 3210024        | Tändstift        | Spark Plug              |                  |
| 37        | 1              | 183065011/0    | Jordkabel        | Earth Cable             |                  |
| 38        | 1              | 123054019/0    | Förgasare        | Carburettor             |                  |
| 39        | 1              | 123120002/0    | Mutter           | Nut                     |                  |
| 40        | 1              | 123653000/0    | Gaswirejustering | Throttle Cable Adjuster |                  |
| 41        | 1              | 123044215/0    | O-ring           | Or Ring                 |                  |
| 42        | 1              | 123878044/0    | Skruv            | Screw                   |                  |
| 43        | 1              | 123066011/0    | Gaswire          | Cable, Throttle         |                  |
| 44        | 1              | 183220001/0    | Luftfilter kpl   | Air Filter Ass'Y        |                  |
| 45        | 1              | 123109531/0    | Luftfilterklåpa  | Filter Cover            |                  |
| 46        | 1              | 123220007/0    | Luftfilter       | Air Filter              |                  |
| 47        | 1              | 183733003/0    | Bränsletank kpl  | Kit Fuel Tank           |                  |
| 48        | 1              | 183790006/0    | Tanklock         | Cap Ass'Y, Fuel Tank    |                  |
| 49        | 1              | 183520002/0    | Bränslefilter    | Intake Filter Assy      |                  |



| Pos. Fig. | Antal Quantity | Art No Part No | Benämning      | Description           | Anmärkning Notes |
|-----------|----------------|----------------|----------------|-----------------------|------------------|
| 1         | 1              | 123700050/0    | Handtag-gul    | Semi-Handgrips Yellow |                  |
| 2         | 1              | 123109532/0    | Luftledare-gul | Air Conveyor, Yellow  |                  |
| 3         | 1              | 123109534/0    | Kípa           | Cover                 |                  |
| 4         | 1              | 123303002/0    | Brytare        | Switch                |                  |
| 5         | 1              | 123876001/0    | Fläkt          | Fan                   |                  |
| 6         | 1              | 123315073/0    | Gasreglage     | Throttle Lever        |                  |
| 7         | 1              | 123700048/0    | Handtag-gul    | Semi-Handgrips Yellow |                  |
| 8         | 1              | 123867012/0    | Rör            | Tube                  |                  |
| 9         | 1              | 123867013/0    | Rör            | Tube                  |                  |
| 10        | 1              | 123300005/0    | Handtag        | Handle                |                  |