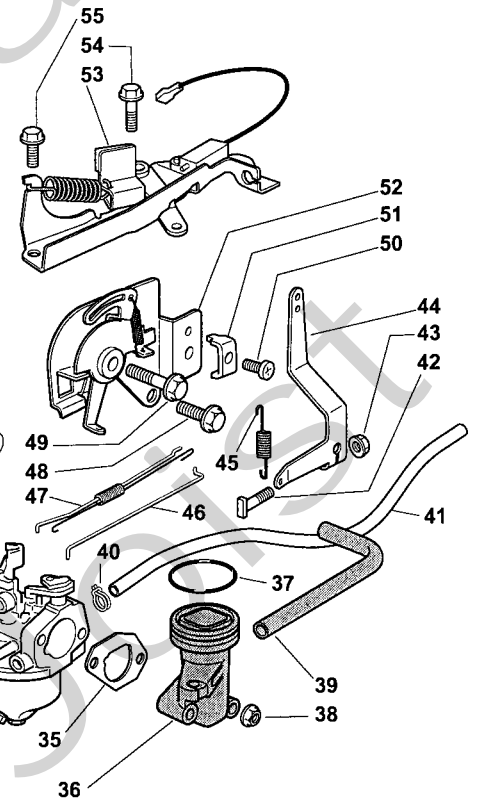
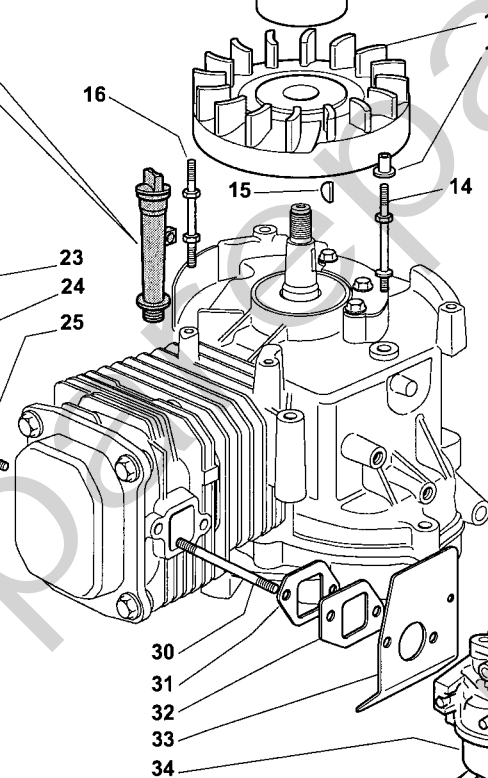
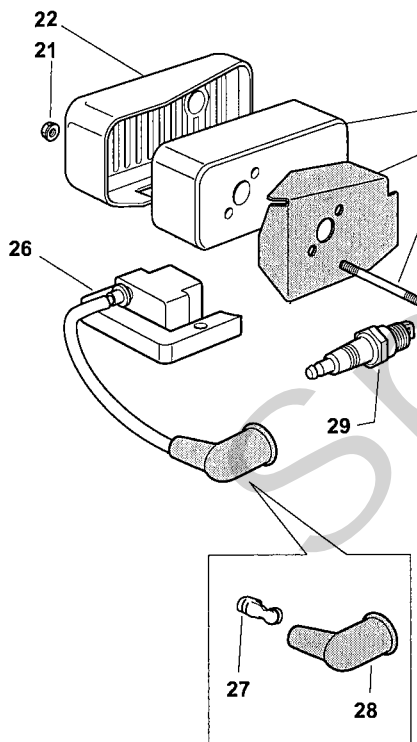
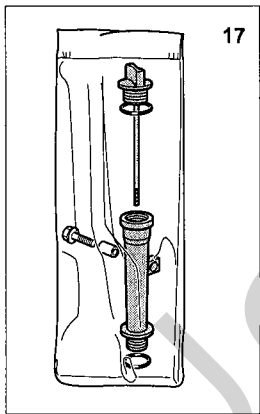
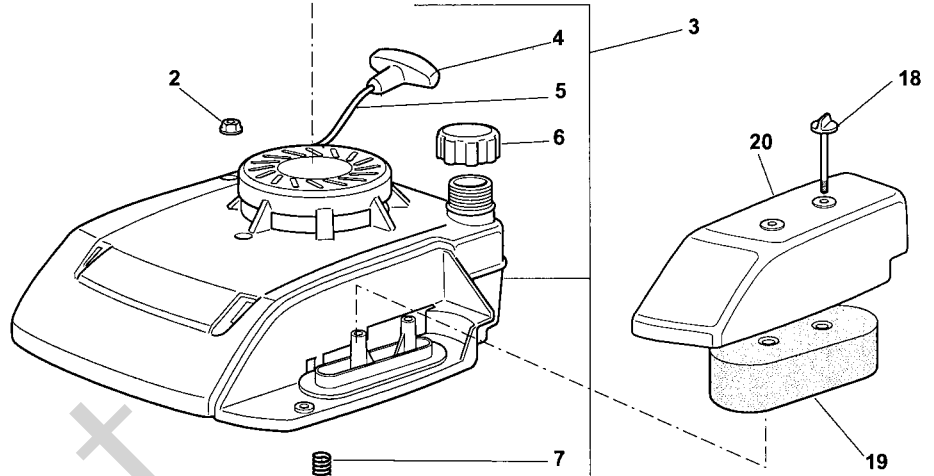
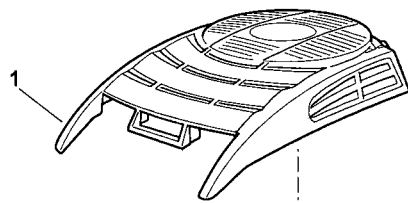
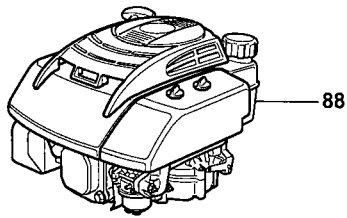


# Genuine Spare Parts

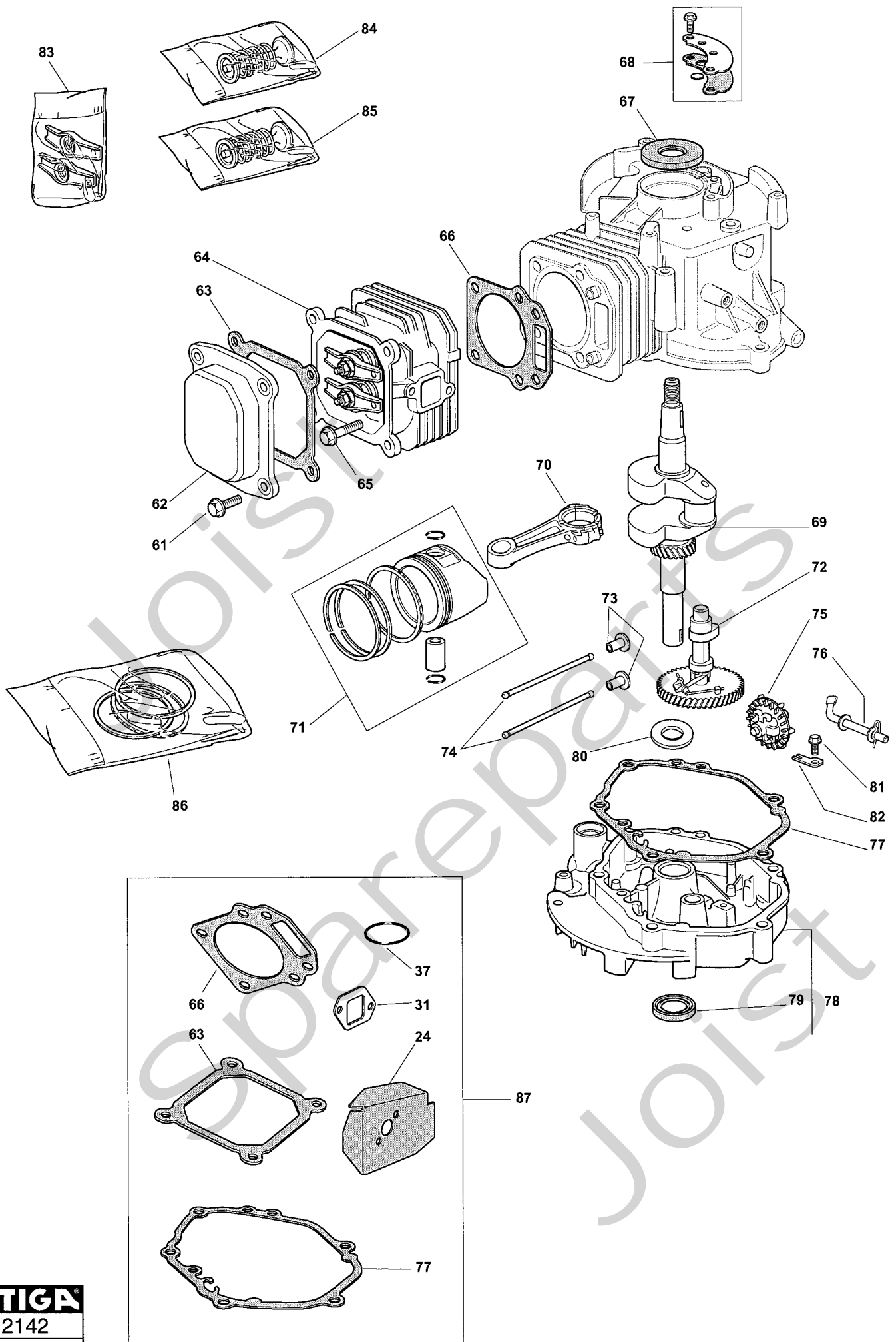
---



Joist  
Spareparts  
Joist



Utgåva Issue		Bildnr Picture No		STIGA RV 65 GGP SV 200	STIGA RV 65 GGP SV 200	Sida Page		
2006-12		2141				418		
Pos. Fig.	Antal/Quantity			Art nr Part No	Benämning	Description	Sats Kit	Anmärkning Notes
	RV65 SV 200							
X	1	1		18550045/0	Huv.....	Cover.....		
X	2	3		18550050/0	Mutter.....	Nut.....		
X	3	1		18550051/0	Start kpl.....	Starter assy.....		Inkl. pos 4 - 9
X	4	1		18550052/0	• Starthandtag.....	• Starter handle.....		
X	5	1		18550053/0	• Startsnöre.....	• Starter cord.....		
X	6	1		18550001/0	• Tanklock.....	• Fuel tank cap.....		
X	7	1		18550054/0	• Fjäder.....	• Spring.....		
X	8	1		18550055/0	• Linhjul och fjäder.....	• Pulley and spring.....		
X	9	1		18550004/0	• Startspärr.....	• Starter pawl.....		
X	10	1		18550056/0	Svänghjulsmutter.....	Flywheel nut.....		
X	11	1		18550057/0	Startkopp.....	Starter cup.....		
X	12	1		18550058/0	Svänghjul.....	Flywheel.....		
X	13	3		18550059/0	Bussning.....	Bushing.....		
X	14	2		18550060/0	Pinnbult.....	Pin bolt.....		
X	15	1		18550061/0	Kil.....	Key.....		
X	16	1		18550062/0	Pinnbult.....	Pin bolt.....		
X	17	1		18550063/0	Oljesticka kpl.....	Oil filler assy.....		
X	18	2		18550064/0	Skruv.....	Screw.....		
X	19	1		18550065/0	Luftfilter.....	Air filter.....		
X	20	1		18550047/0	Luftfilterlock.....	Air cleaner cover.....		
X	21	2		18550050/0	Mutter.....	Nut.....		
X	22	1		18550066/0	Ljuddämparskydd.....	Muffler guard.....		
X	23	1		18550067/0	Ljuddämpare.....	Muffler.....		
X	24	1		18550068/0	Packning.....	Gasket.....		
X	25	2		18550069/0	Pinnbult.....	Double head bolt.....		
X	26	1		18550070/0	Elektronikspole.....	Electronic coil.....		
X	27	1		18550071/0	• Anslutning.....	• Spark plug terminal.....		
X	28	1		18550072/0	• Tändstiftshatt.....	• Spark plug cover.....		
X	29	1		9400-0289-01	Tändstift.....	Spark plug.....		Champion RN9YC
X	30	2		18550074/0	Pinnbult.....	Double head bolt.....		
X	31	1		18550075/0	Packning.....	Gasket.....		
X	32	1		18550076/0	Insugning.....	Intake.....		
X	33	1		18550124/0	Värmeskydd.....	Heat block.....		
X	34	1		18550077/0	Förgasare.....	Carburettor.....		
X	35	1		18550078/0	Packning.....	Gasket.....		
X	36	1		18550079/0	Luftintag.....	Air intake.....		
X	37	1		18550080/0	O- ring.....	O- ring.....		
X	38	2		18550081/0	Mutter.....	Nut.....		
X	39	1		18550082/0	Ventilationsrör.....	Breather tube.....		
X	40	2		18550083/0	Slangklämma.....	Hose clamp.....		
X	41	1		18550084/0	Bränsleslang.....	Fuel hose.....		
X	42	1		18550085/0	Bult.....	Pin.....		
X	43	1		18550050/0	Mutter.....	Nut.....		
X	44	1		18550086/0	Regulatorarm.....	Governor lever.....		
X	45	1		18550087/0	Fjäder.....	Spring.....		
X	46	1		18550088/0	Chokereglagestång.....	Choke control rod.....		
X	47	1		18550089/0	Reglagestång m.fjäder.....	Governor link & sprin.....		
X	48	1		18550090/0	Skruv.....	Screw.....		
X	49	1		18550091/0	Skruv.....	Screw.....		
X	50	1		18550023/0	Skruv.....	Screw.....		
X	51	1		18550022/0	Wireklämma.....	Casing clamp.....		
X	52	1		18550092/0	Reglageplatta.....	Remote control plate.....		
X	53	1		18550093/0	Motorbroms.....	Engine brake.....		
X	54	1		18550094/0	Skruv.....	Screw.....		
X	55	1		18550095/0	Skruv.....	Screw.....		
X	56	1		18550096/0	Packningssats- förg.....	Gasket set- carb.....		
X	88	1		18550123/0	Motor kpl.....	Engine assy.....		



Utgåva Issue 2006-12	Bildnr Picture No 2142	STIGA RV 65 GGP SV 200	STIGA RV 65 GGP SV 200	Sida Page 420
----------------------------	------------------------------	---------------------------	---------------------------	---------------------

Pos. Fig.	Antal/Quantity				Art nr Part No	Benämning	Description	Sats Kit	Anmärkning Notes
	RV65 SV 200								
X 61	4				18550095/0	Skruv .....	Screw .....		
X 62	1				18550097/0	Ventilkåpa .....	Valve cover .....		
X 63	1				18550098/0	Packning .....	Gasket .....		
X 64	1				18550099/0	Topplöck .....	Cylinder head .....		
X 65	4				18550100/0	Skruv .....	Screw .....		
X 66	1				18550101/0	Topplöckspackning .....	Cylinder head gasket .....		
X 67	1				18550102/0	Tätningring .....	Oil seal .....		
X 68	1				18550103/0	Packning .....	Gasket .....		
X 69	1				18550104/0	Vevaxel .....	Crankshaft .....		
X 70	1				18550105/0	Vevstake .....	Connecting rod .....		
X 71	1				18550106/0	Kolv kpl .....	Piston assy .....		
X 72	1				18550107/0	Kamaxel .....	Camshaft .....		
X 73	1				18550108/0	Ventilyftare sats .....	Valve lifter set .....		
X 74	1				18550109/0	Stötstångssats .....	Push rod set .....		
X 75	1				18550110/0	Regulatorövre .....	Governor gear .....		
X 76	1				18550111/0	Regulatoraxel .....	Governor shaft .....		
X 77	1				18550112/0	Vevhuspackning .....	Crankcase gasket .....		
X 78	1				18550113/0	Vevhus kpl .....	Crankcase .....		
X 79	1				18550114/0	• Tätningring .....	• Seal ring .....		
X 80	1				18550115/0	Bricka .....	Washer .....		
X 81	1				18550116/0	Skruv .....	Screw .....		
X 82	1				18550117/0	Hållare .....	Clamp .....		
X 83	1				18550118/0	Vipparmssats .....	Rocker arm set .....		
X 84	1				18550119/0	Utblåsningsventil .....	Exhaust valve .....		
X 85	1				18550120/0	Insugningsventil .....	Intake valve .....		
X 86	1				18550121/0	Kolvringsats .....	Piston ring set .....		
X 87	1				18550122/0	Packningssats .....	Gasket set .....		