

Genuine Spare Parts

www.stiga.com

COMBI 48 E Model Year 2012

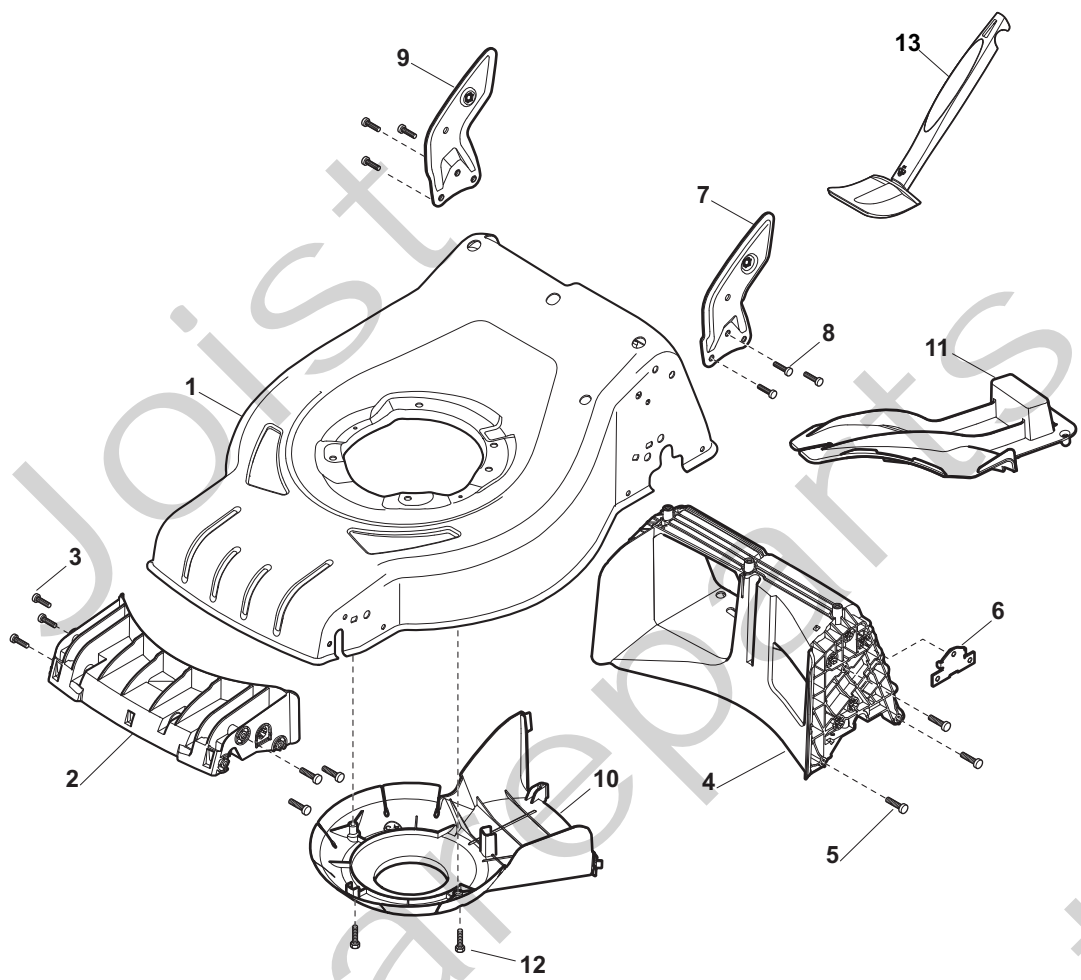
- Use GLOBAL GARDEN PRODUCT Genuine Spare Parts specified in the parts list for repair and/or replacement.
- The contents described in the parts list may change due to improvement.
- The drawings of the spare parts are only indicative and might not represent the part in question exactly.
- The indications "right" - "left" - "front" - "rear" refer to the position of the operator when using the machine.
- When placing orders of parts for repair and/or replacement, make sure that the illustrated parts list is the one applying to the machine's year of manufacture, as shown on the identification plate attached to the machine.

© Copyright 2012 Global Garden Products

All content is subject to copyright by Global Garden Products and may not be reproduced in whole or in part by any means, electronic or otherwise, without prior written approval.

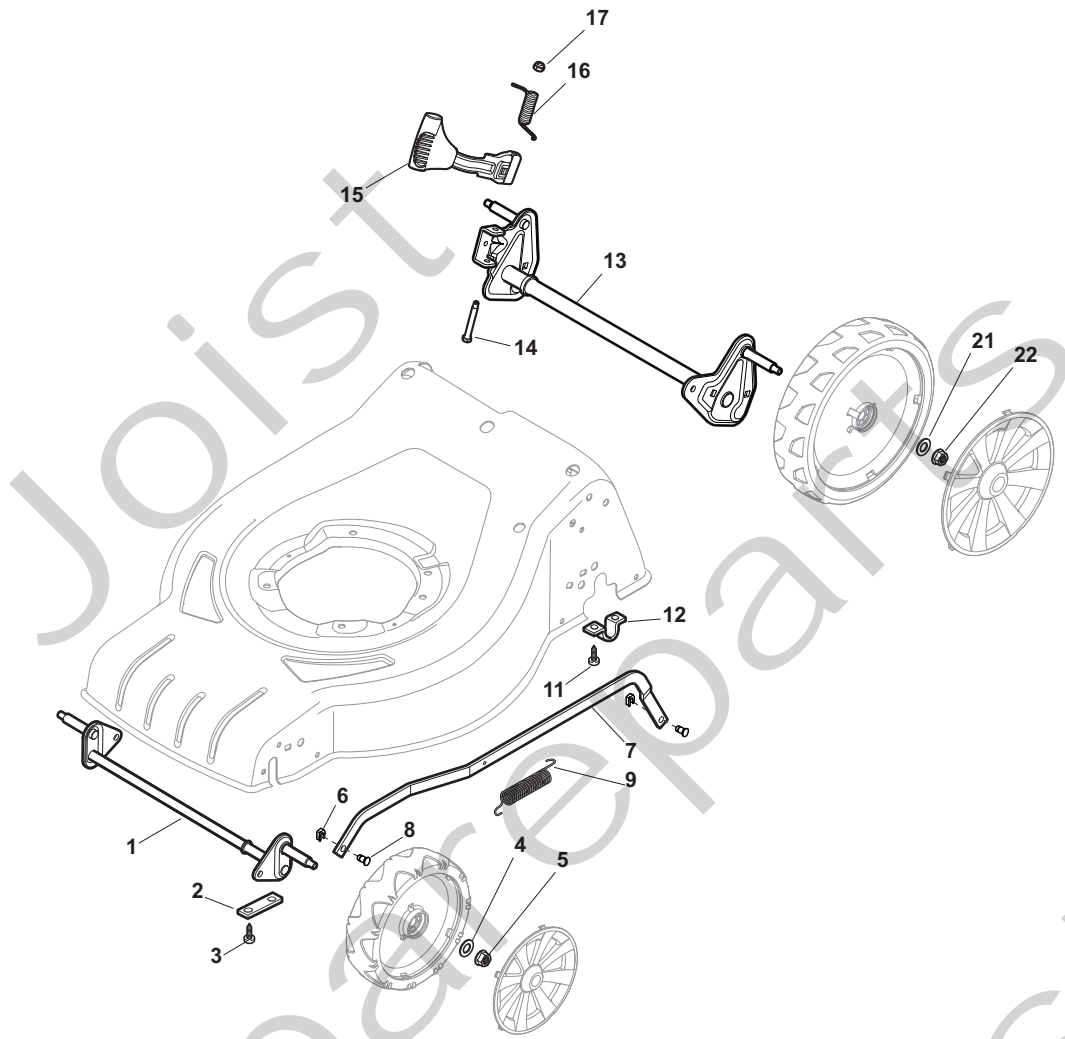
THIS INFORMATION IS NOT INTENDED FOR SALE OR RESALE, AND THIS NOTICE MUST REMAIN ON ALL COPIES.

STIGA®



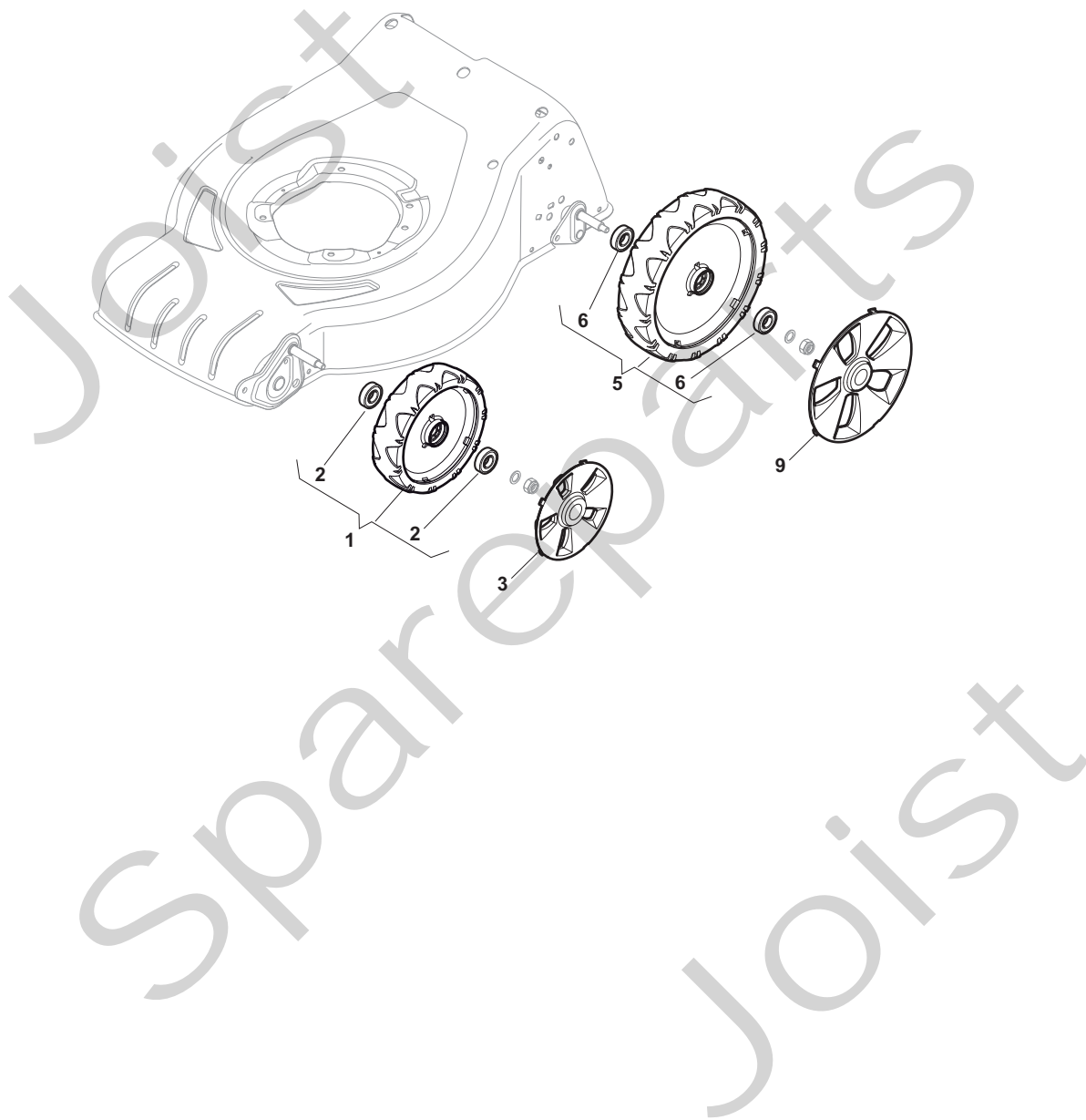
Position	Part No.	Q.Ty	Description
1	381004024/0	1	Deck Black
2	322108301/0	1	Front Conveyor Assy
3	112728699/0	6	Screw
4	322108302/0	1	Rear Conveyor Assy
5	112728699/0	6	Screw
6	322545213/0	2	Plate
7	381005139/0	1	Bracket, L
8	112727801/0	6	Screw
9	381005137/0	1	Bracket, R
10	322060242/0	1	Protection, Belt
11	322140239/0	1	Deflector
12	12728530/0	2	Screw
13	113300215/0	1	Scraper

Joist
Spareparts
Joist



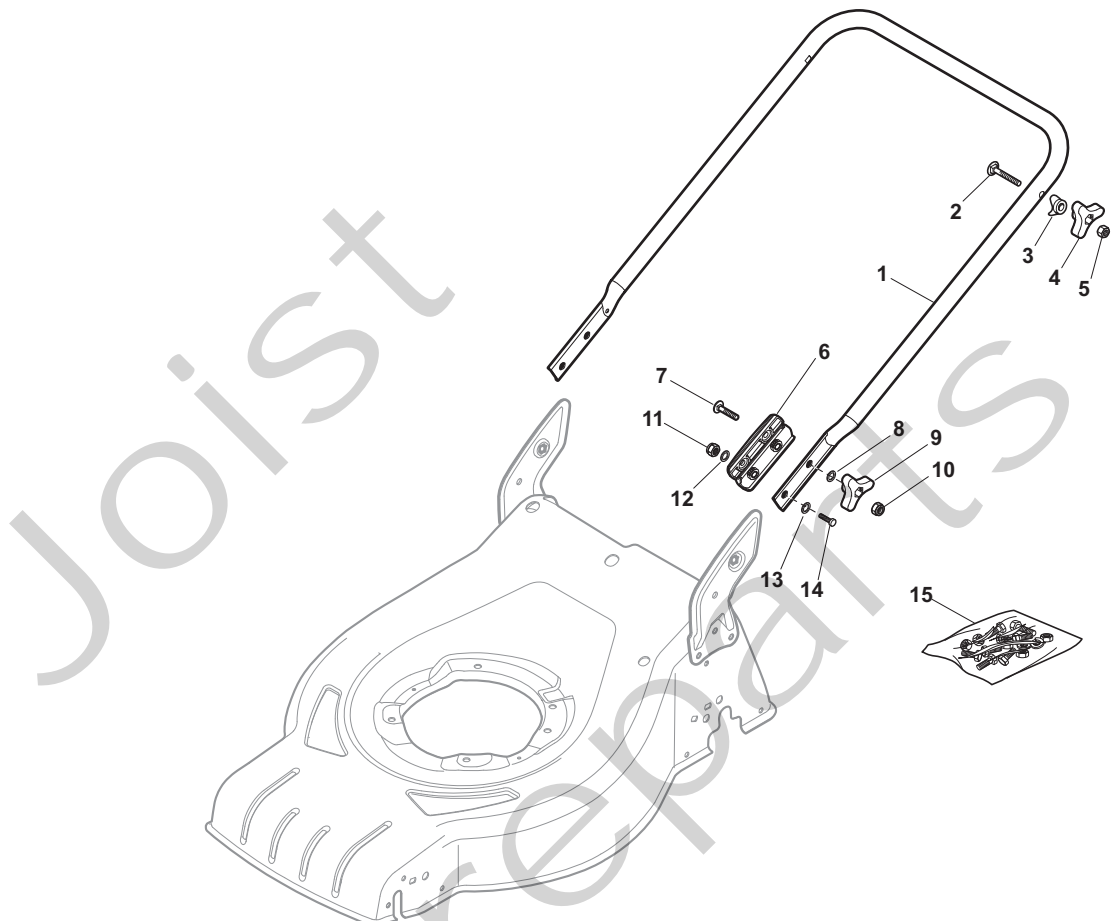
Position	Part No.	Q.Ty	Description
1	381302821/0	1	Axle, Front Wheels
2	22545142/0	2	Plate
3	112728698/0	4	Screw
4	12521350/0	2	Washer
5	12155000/0	2	Nut
6	112436051/0	2	Spring
7	322869673/0	1	Rod, Height Adjustment
8	122519820/0	2	Pin
9	122446193/0	1	Spring
11	112728698/0	4	Screw
12	22545152/0	2	Plate
13	381302815/0	1	Axle, Rear Wheels
14	122534131/0	1	Pin
15	381003357/0	1	Lever, Height Adjustment
16	122446192/0	1	Spring
17	12154510/0	1	Nut
21	12521350/0	2	Washer
22	12155000/0	2	Nut

Joist
Spareparts
Joist



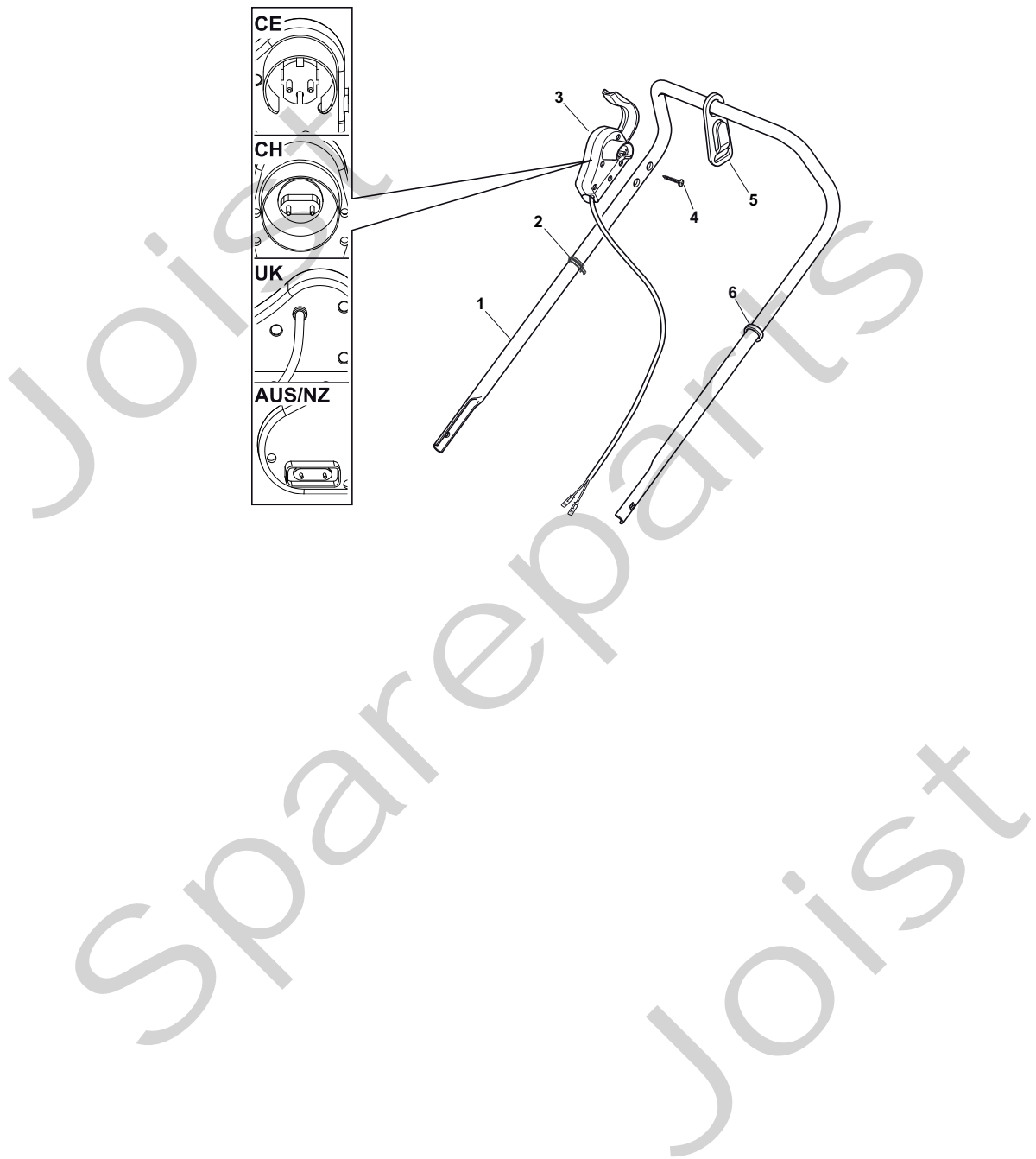
Position	Part No.	Q.Ty	Description
1	381007450/0	2	Wheel Ø 180
2	19216035/0	4	Bearing
3	322110638/0	2	Hub Cap
5	381007456/0	2	Wheel Ø 240
6	19216035/0	4	Bearing
9	322110639/0	2	Hub Cap

Joist
Spareparts
Joist



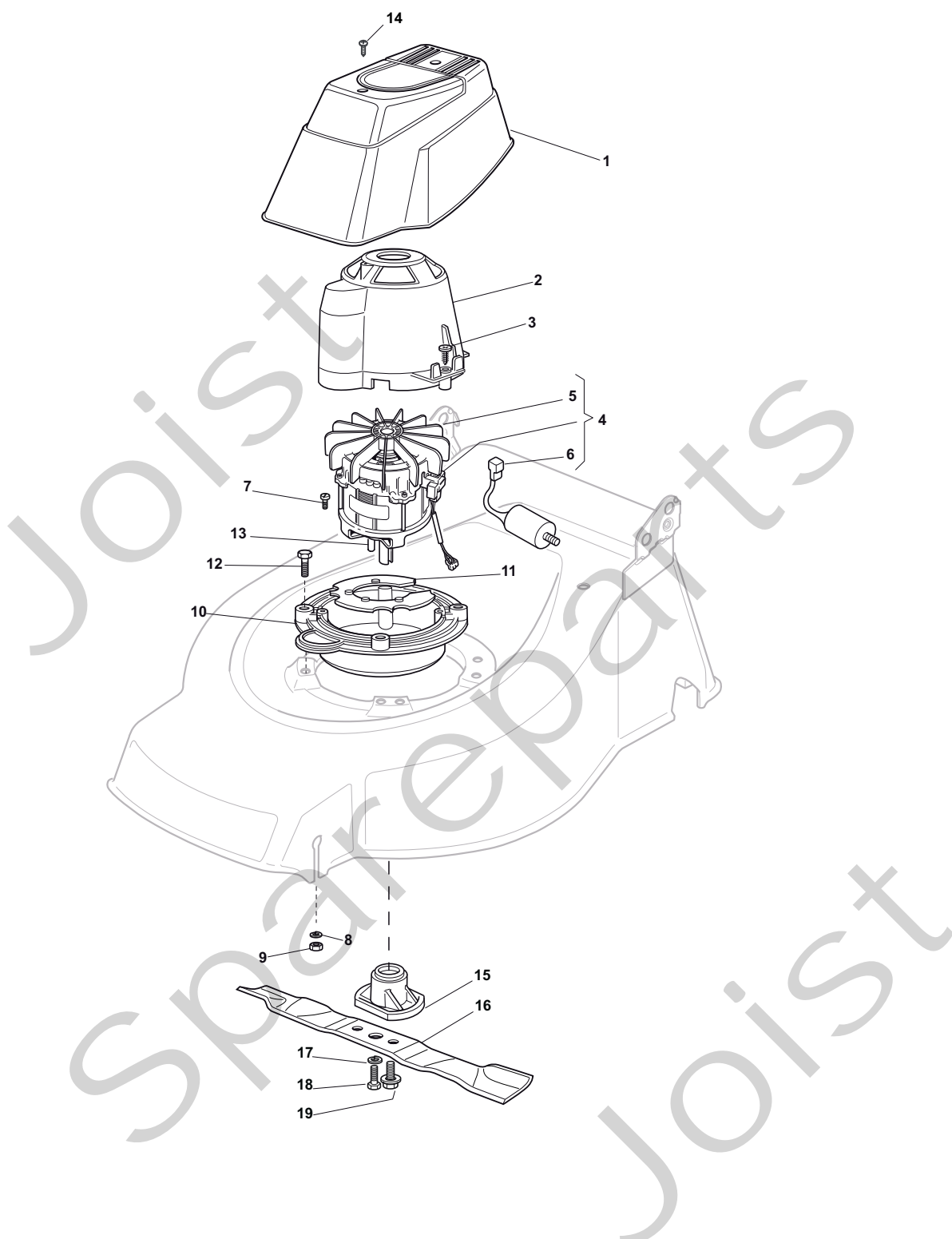
Position	Part No.	Q.Ty	Description
1	381006735/0	1	Handle, Lower Part
2	12819120/0	2	Screw
3	22680006/1	2	Washer
4	22399900/0	2	Knob
5	12293200/0	2	Nut
6	322551582/0	2	Isolation Plate
7	12819110/0	2	Screw
8	12523060/0	2	Washer
9	22399900/0	2	Knob
10	12293200/0	2	Nut
11	12155000/0	2	Nut
12	12521350/0	2	Washer
13	12521350/0	2	Washer
14	12793701/0	2	Screw
15	381008698/0	1	Outfit, Screws

Joist
Spareparts
Joist

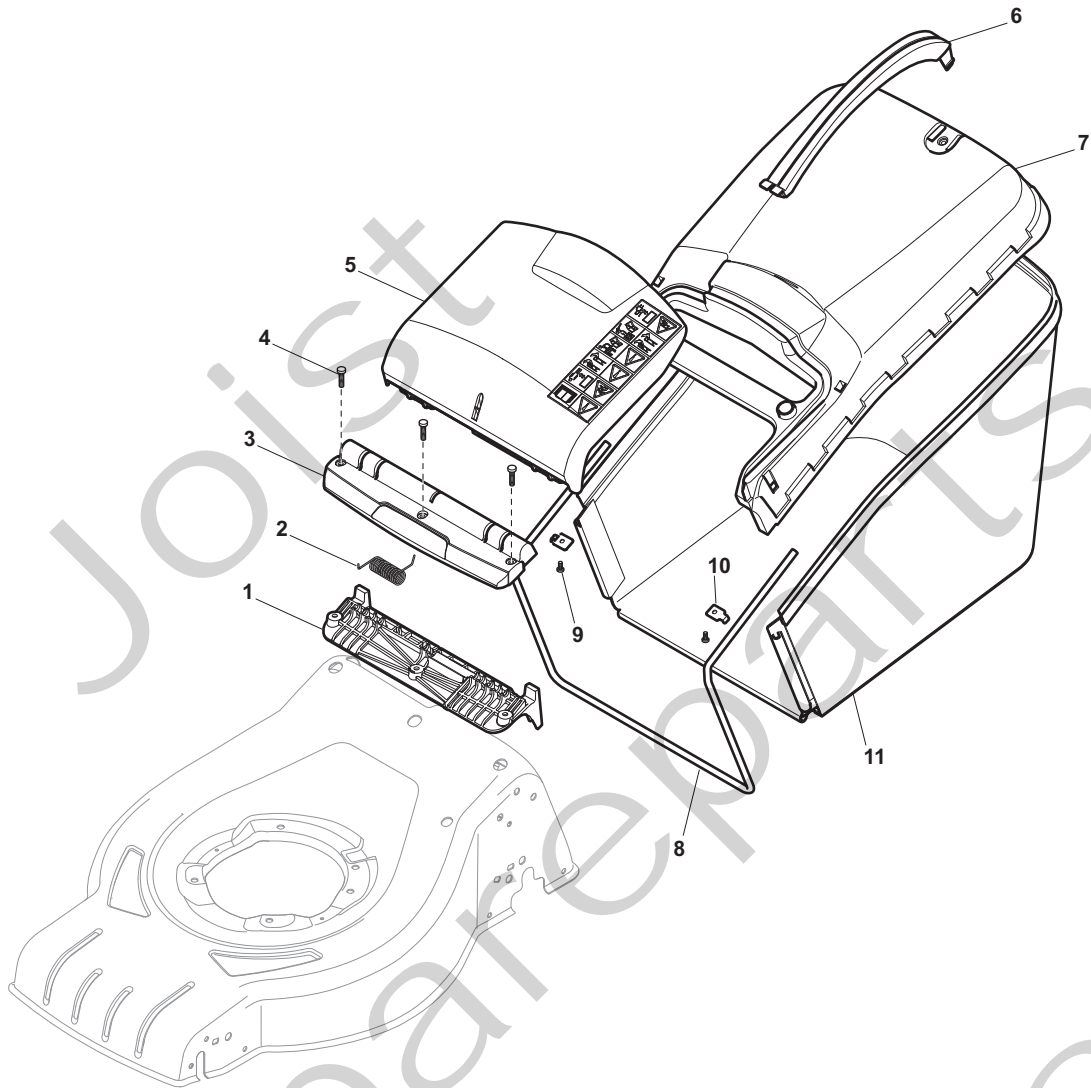


Position	Part No.	Q.Ty	Description
1	81007017/2	1	Handle, Upper Part
2	22192000/1	2	Clamp
3	81600500/1	1	Dead Hand Switch CE
3	81600501/1	1	Dead Hand Switch CH
3	81600502/1	1	Dead Hand Switch UK
3	18710628/0	1	Dead Hand Switch AUS-NZ
4	12728701/0	2	Screw
5	322195101/4	1	Fairlead
6	22192151/0	1	Clamp

Joist
Spareparts
Joist



Position	Part No.	Q.Ty	Description
1	22055045/1	1	Cover, Black
2	22785210/0	1	Support, Cover
3	12728710/0	4	Screw
4	18563605/0	1	Motor 230V (1600W)
4	18563607/0	1	Motor 240V (1600W)
4	118563665/0	1	Motor 230V (1600W)
5	18740054/0	1	Fan Motor Atb
6	18222045/0	1	Condenser 16 µf
7	12735410/0	4	Screw
8	12583500/0	4	Washer
9	12293200/0	4	Nut
10	322207211/4	1	Flange
11	322720360/2	1	Ventilation Screen
12	12793700/0	4	Screw
13	12139440/0	1	Feather
14	12728680/0	2	Screw
15	322463186/3	1	Hub
16	81004346/3	1	Blade Standard
16	81004397/0	1	Blade Winged
17	12583500/0	2	Washer
18	12793101/0	2	Screw
19	381004352/1	1	Screw



Position	Part No.	Q.Ty	Description
1	322785331/0	1	Support
2	122450464/0	1	Spring
3	322109556/0	1	Cover, Yellow
4	112728699/0	3	Screw
5	322600214/1	1	Stone-Guard Yellow
6	322393646/0	1	Handle
7	322486264/0	1	Grassbox Upper Part Yellow
8	122608561/0	1	Stiffening Lower
9	12728692/0	2	Screw
10	322545159/0	2	Plate
11	181002318/0	1	Box, Fabric

Joist
Spareparts
Joist