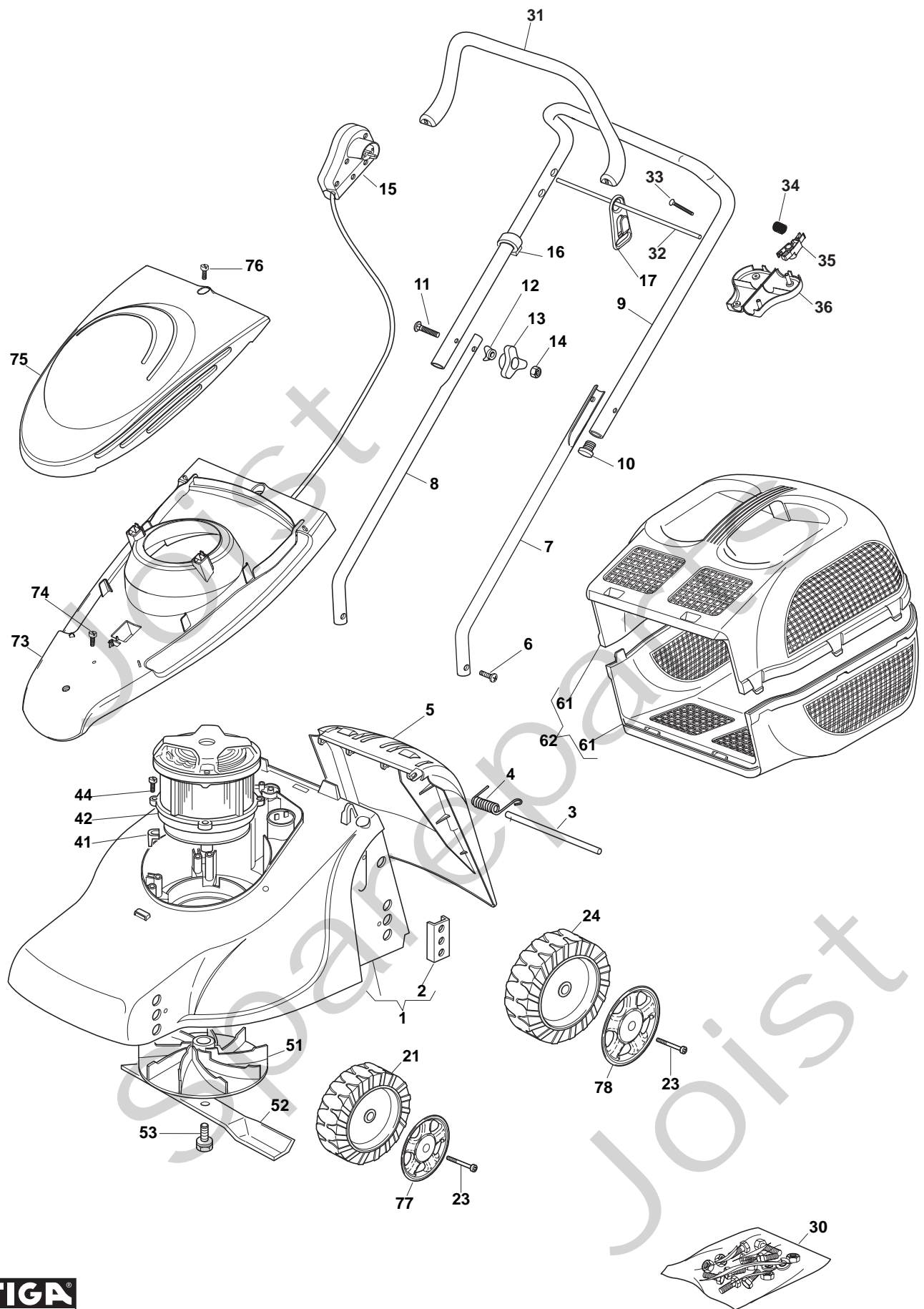


# Genuine Spare Parts

---



Joist  
Spareparts  
Joist



Utgåva Issue		Bildnr Picture No		TURBO 39 EL		TURBO 39 EL		Sida Page	
2007- 12		2088A						54	
Pos. Fig.	Antal/Quantity				Art nr Part No	Benämning	Description	Sats Kit	Anmärkning Notes
	4263 -12								
1	1				81002904/0	Chassi- gul.....	Chassis- yellow .....		Inkl. pos 2
2	4				22785087/1	• Hjulhållare.....	• Wheel support.....		
3	1				22512601/0	Axel .....	Pivot pin.....		
4	1				22450250/0	Fjäder.....	Spring .....		
5	1				22600056/2	Lucka.....	Stone guard .....		
6	2				12728450/0	Skruv .....	Screw.....		
7	1				81006940/1	Styrrör- vä .....	Handle tube- LH .....		
8	1				81006939/1	Styrrör- hö .....	Handle tube- RH.....		
9	1				81006941/4	Styre- överdel .....	Handle- upper.....		
10	2				18566112/0	Plugg .....	Cap.....		
11	2				12819120/0	Skruv .....	Screw.....		
12	2				22680006/1	Bricka .....	Washer.....		
13	2				22399900/0	Låsraff .....	Locking knob .....		
14	2				12293200/0	Mutter .....	Nut .....		
15	1				81600503/1	Manöverdosa.....	Dead hand switch.....		
16	1				22192000/1	Kabelhållare .....	Anchor clamp.....		
17	1				22195101/4	Dragavlastare.....	Fairlead .....		
21	2				22686083/0	Hjul.....	Wheel.....		
23	4				22524337/0	Hjulbult.....	Wheel bolt.....		
24	2				22686085/0	Hjul.....	Wheel.....		
30	1				81008669/0	Skruvsats.....	Screw set .....		
31	1				22322883/0	Reglagebygel- gul .....	Motor brake lever- yel .....		
32	1				22010250/0	Stång .....	Rod .....		
33	4				12728685/0	Skruv .....	Screw.....		
34	1				22450115/0	Fjäder.....	Spring .....		
35	1				22230350/0	Vridpunkt.....	Fulcrum pin.....		
36	1				22785144/0	Hållare .....	Support .....		
41	4				22167700/0	Distans .....	Spacer .....		
42	1				18563601/0	Elmotor.....	El. motor .....	ATB	
42	1				18563651/0	Elmotor.....	El. motor .....	LEO	
44	4				12735410/0	Skruv .....	Screw.....		
51	1				22465602/0	Knivfäste.....	Blade holder .....		
52	1				1111- 9157- 01	Kniv .....	Blade .....		
53	1				81004352/0	Skruv .....	Screw.....		
61	2				22486049/0	• Uppsamlare- halva .....	• Grassbox- half .....		
62	1				97390000/0	Uppsamlare kpl.....	Grassbox assy.....		Inkl. pos 61
73	1				22785206/0	Kåpstöd .....	Cover support .....		
74	1				12728525/0	Skruv .....	Screw.....		
75	1				22055107/0	Kåpa- gul .....	Cover- yellow .....		
76	1				12728710/0	Skruv .....	Screw.....		
77	2				22110420/0	Navkapsel- grå .....	Hub cap- grey.....		
78	2				22110421/0	Navkapsel- grå .....	Hub cap- grey.....		