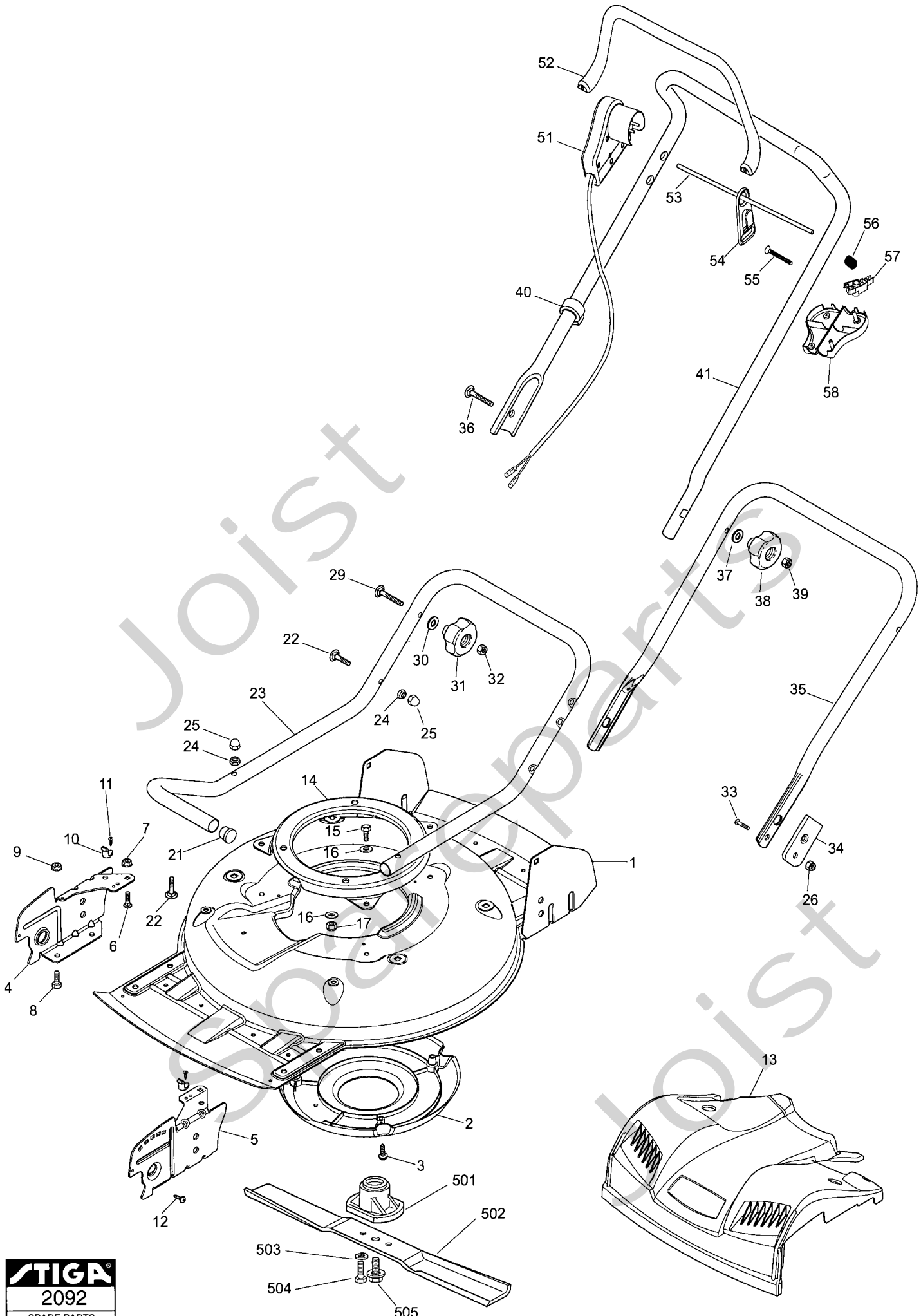


# Genuine Spare Parts

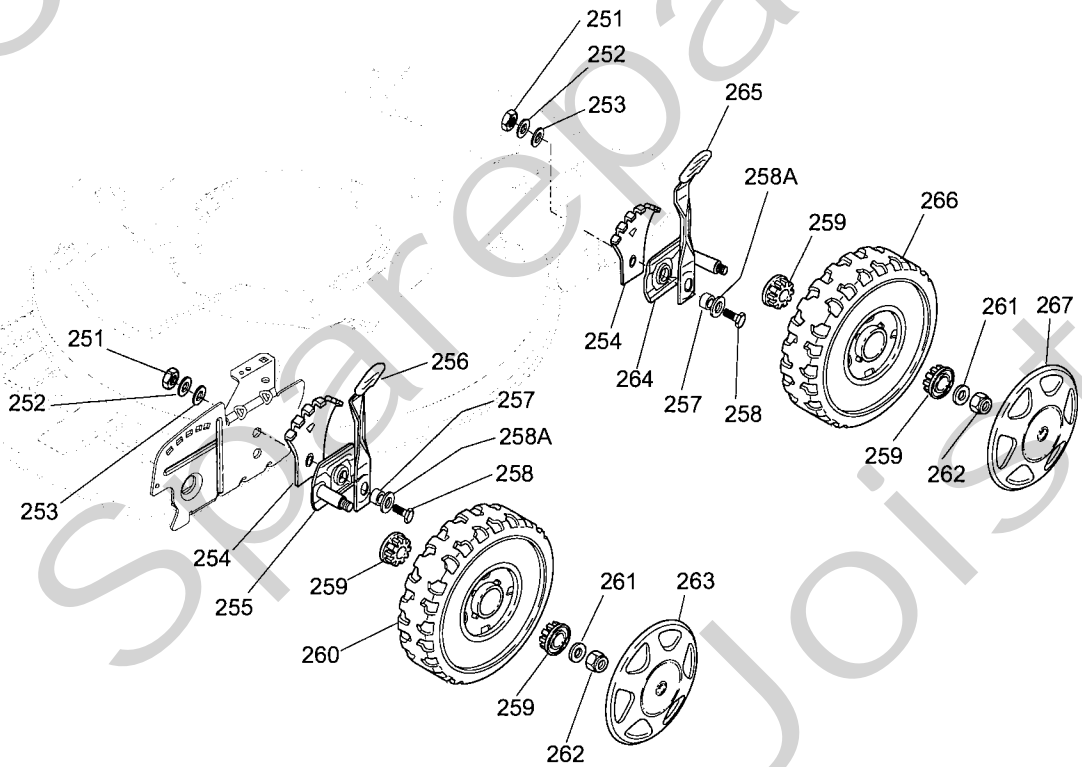
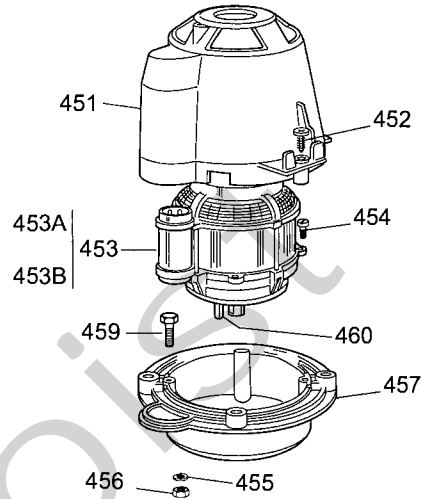
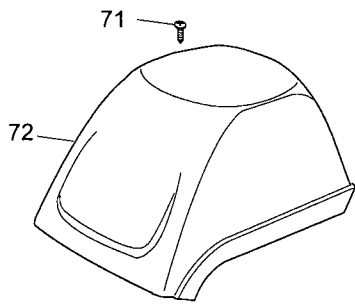
---



Joist  
Spareparts  
Joist



Utgåva Issue 2006-12		Bildnr Picture No 2092		MULTICLIP 50 EL CHASSI STYRE		MULTICLIP 50 EL CHASSIS HANDLE		Sida Page 8	
Pos. Fig.	Antal/Quantity			Art nr Part No	Benämning	Description	Sats Kit	Anmärkning Notes	
	5266								
X	1	1		1136-2384-01	Chassi- gul.....	Chassis- yellow .....			
X	2	1		1136-2315-01	Skydd .....	Protection .....			
X	3	3		1136-0615-01	Skruv .....	Screw .....			
X	4	1		1136-2368-01	Fäste- hö .....	Bracket- RH .....			
X	5	1		1136-2369-01	Fäste- vä .....	Bracket- LH .....			
	6	2		9898-0616-16	Skruv .....	Screw .....			
	7	2		9739-0631-22	Mutter .....	Nut .....			
	8	4		9997-0816-16	Skruv .....	Screw .....			
	9	4		9739-0831-22	Mutter .....	Nut .....			
X	10	2		1136-2304-01	Hållare .....	Fairlead .....			
X	11	2		1136-2255-01	Skruv .....	Screw .....			
	12	2		9847-8019-16	Skruv .....	Screw .....			
X	13	1		1136-2356-01	Frontkåpa- gul.....	Front cover- yellow.....			
X	14	1		1136-2400-01	Fläns .....	Flange .....			
	15	3		9997-0816-16	Skruv .....	Screw .....			
	16	6		9699-0056-02	Planbricka.....	Flat washer.....			
	17	3		9739-0831-22	Mutter .....	Nut .....			
	21	2		1136-0061-01	Plugg .....	Cap .....			
	22	4		9898-0835-12	Skruv .....	Screw .....			
X	23	1		1136-2395-01	Styre- underdel .....	Handle- lower .....			
	24	4		9747-0831-02	Mutter .....	Lock nut .....			
	25	4		9403-0113-00	Mutterhatt.....	Nut cap .....			
	26	2		9747-0531-02	Mutter .....	Nut .....			
X	29	2		1136-2300-01	Skruv .....	Screw .....			
	30	2		1136-0693-01	Bricka .....	Washer .....			
	31	2		1117-3194-01	Låsrott .....	Locking knob .....			
	32	2		9799-0831-02	Mutter .....	Nut .....			
X	33	2		1136-2258-01	Skruv .....	Screw .....			
X	34	2		1136-2364-01	Isolerplatta.....	Plate .....			
X	35	1		1136-2397-01	Styre- mellandel.....	Handle- middle part.....			
X	36	2		1136-2300-01	Skruv .....	Screw .....			
	37	2		1136-0693-01	Bricka .....	Washer .....			
	38	2		1117-3194-01	Låsrott .....	Locking knob .....			
	39	2		9799-0831-02	Mutter .....	Nut .....			
	40	2		1136-0660-01	Dragavlastare.....	Anchor clamp.....			
	41	1		1136-1437-01	Styre- överdel .....	Handlebar- upper part .....			
	51	1		1136-1849-01	Manöverdosa.....	Dead hand switch.....			
X	52	1		1136-2358-01	Reglagebygel- gul .....	Control lever .....			
	53	1		1136-1818-01	Kabelhållarstång .....	Rod .....			
	54	1		1136-0662-01	Kabelhållare.....	Fairlead .....			
	55	4		9836-9225-12	Skruv .....	Screw .....			
	56	1		1136-1828-01	Fjäder .....	Spring .....			
	57	1		1136-1825-01	Vridpunkt.....	Fulcrum pin.....			
	58	1		1136-1833-01	Fäste .....	Support .....			
	501	1		1136-1725-01	Knivfäste.....	Hub .....			
X	502	1		1111-9155-01	Kniv .....	Blade .....			
	503	2		9683-0030-02	Låsbricka.....	Lock washer.....			
	504	2		9997-0820-16	Skruv .....	Screw .....			
	505	1		1136-0752-01	Knivbult .....	Blade bolt.....			



Utgåva Issue 2006- 12		Bildnr Picture No 2093		MULTICLIP 50 EL HJULUPPHÄNGNING MOTOR		MULTICLIP 50 EL WHEEL SUSPENSION MOTOR		Sida Page 10	
Pos. Fig.	Antal/Quantity			Art nr Part No	Benämning	Description	Sats Kit	Anmärkning Notes	
	5266								
X	71	2		9836-9525-12	Skruv.....	Screw.....			
	72	1		1136-2379-01	Kåpa.....	Cover.....			
	251	4		9799-0831-02	Mutter.....	Nut.....			
	252	4		9683-0030-02	Låsbricka.....	Lock washer.....			
	253	4		1136-0014-01	Bricka.....	Washer.....			
	254	4		1136-0696-01	Höjdinställn.sektor.....	Wheel adjust sector.....			
	255	2		1136-0754-01	Hjulstöd.....	Wheel support.....			
	256	2		1136-0744-01	Höjdinställningsspak.....	Height adjust lever.....			
	257	4		1136-0084-01	Distans.....	Spacer.....			
	258	4		9997-0830-16	Skruv.....	Screw.....			
	258A	4		9699-0090-02	Planbricka.....	Flat washer.....			
	259	8		1136-0634-01	Bussning.....	Bush.....			
X	260	2		1136-2015-01	Hjul.....	Wheel.....			
	261	4		9699-0056-02	Planbricka.....	Flat washer.....			
	262	4		9747-0831-02	Mutter.....	Lock nut.....			
	263	2		1136-1894-01	Navkapsel- gul.....	Hub cap- yellow.....			
	264	2		1136-1381-01	Hjulstöd.....	Wheel support.....			
	265	2		1136-1380-01	Höjdinställn.spak.....	Height adjust lever.....			
X	266	2		1136-2015-01	Hjul.....	Wheel.....			
	267	2		1136-1894-01	Navkapsel- gul.....	Hub cap- yellow.....			
	451	1		1136-1741-01	Kåpstöd.....	Cover support.....			
	452	4		1136-1682-01	Skruv.....	Screw.....			
	453	1		1136-1687-01	Elmotor.....	El. motor.....	1600W		
	453A	1		1136-1689-01	• Fläkt.....	• Fan.....			
	453B	1		1136-0626-01	• Kondensator.....	• Condensor.....			
	454	4		9836-9635-12	Skruv.....	Screw.....			
	455	4		9683-0030-02	Låsbricka.....	Lock washer.....			
	456	4		9799-0831-02	Mutter.....	Nut.....			
	457	1		1136-1706-01	Fläns.....	Flange.....			
	459	4		1136-0617-01	Skruv.....	Screw.....			
	460	1		1136-1677-01	Kil.....	Key.....			