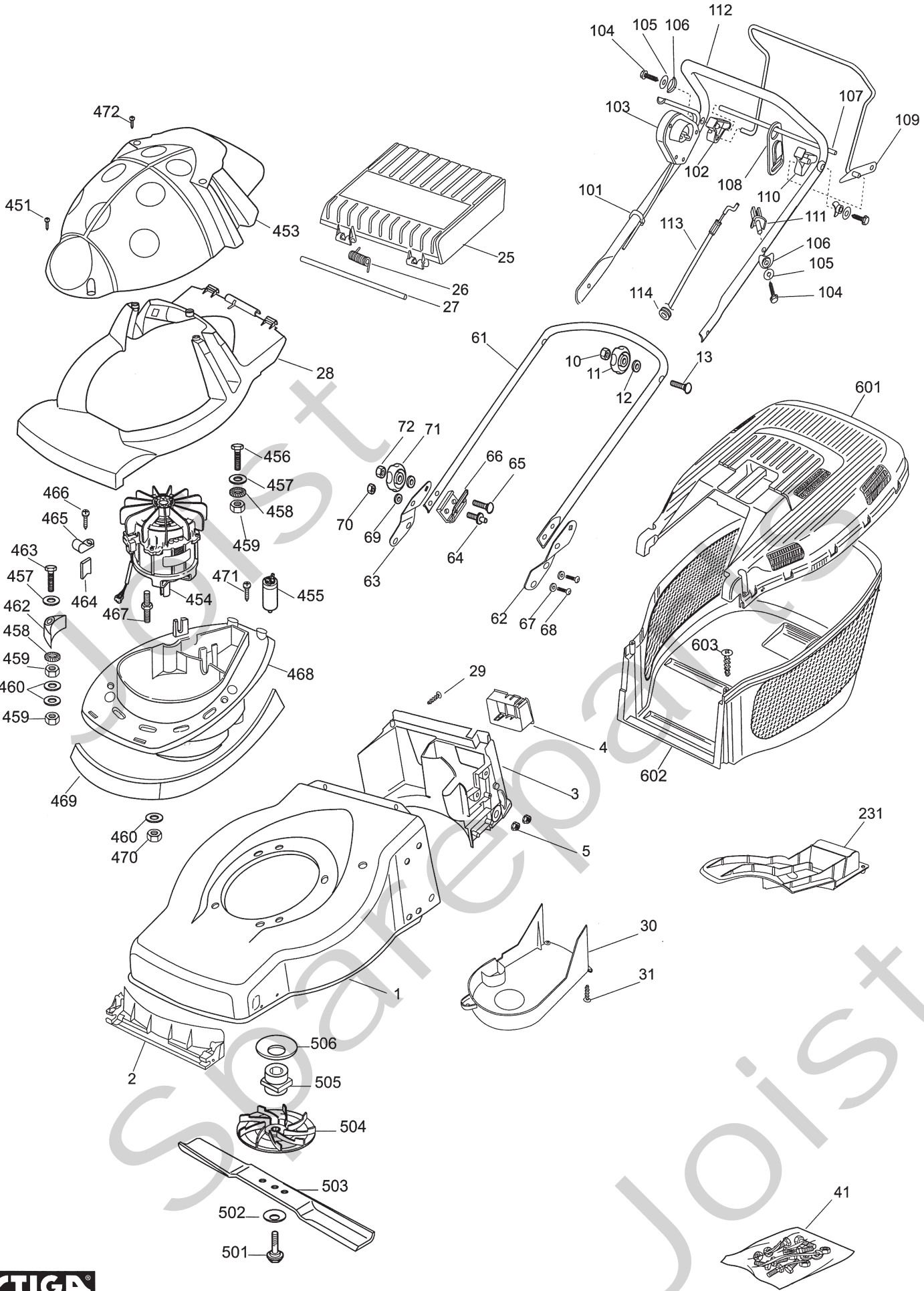


# Genuine Spare Parts

---

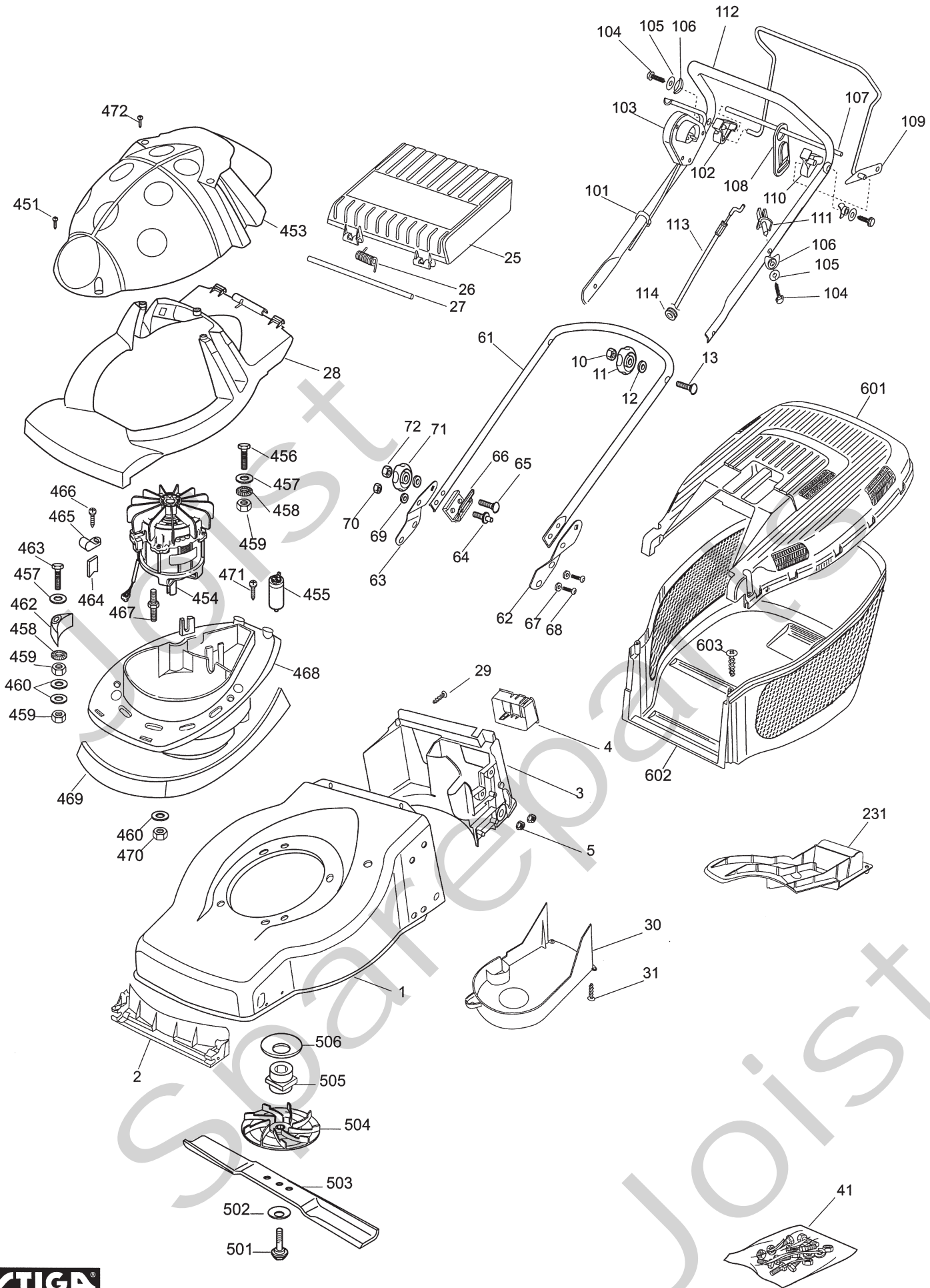


Joist  
Spareparts  
Joist

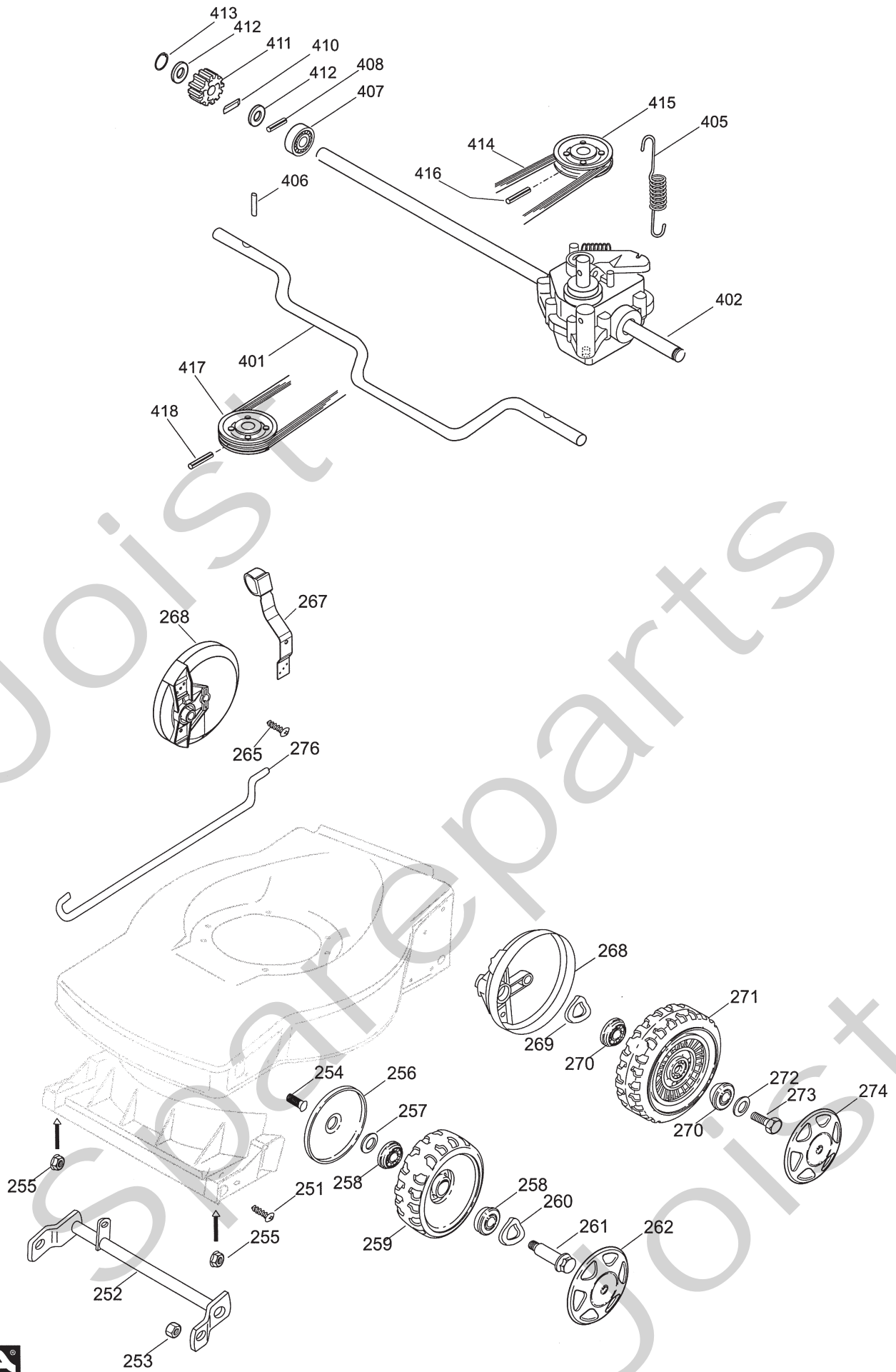


Utgåva Issue		Bildnr Picture No		LADYBIRD 45S EL CHASSI STYRE	LADYBIRD 45S EL CHASSIS HANDLE	Sida Page		
2005-12		1908				76		
Pos. Fig.	Antal/Quantity			Art nr Part No	Benämning	Description	Sats Kit	Anmärkning Notes
	2868 -51							
1	1			1117-3356-02	Kåpa-grå .....	Deck- grey .....		
2	1			1117-3007-01	Ledplåt-främre .....	Baffle-front .....		
3	1			1117-3008-01	Ledplåt-bakre .....	Baffle-rear .....		
4	1			1111-2927-01	Batterihållare .....	Battery holder .....		
5	4			1117-1131-01	Flänsmutter .....	Nut .....		
10	2			9799-0831-02	Mutter .....	Nut .....		
11	2			1117-3194-01	Låsrott .....	Locking knob .....		
12	2			1136-0693-01	Bricka .....	Washer .....		
13	2			1136-0620-01	Skruv .....	Screw .....		
25	1			1117-1156-01	Lucka-gul .....	Rear flap-yellow .....		
26	1			1117-1126-01	Fjäder .....	Spring-rear flap .....		
27	1			1117-1143-01	Axel .....	Shaft .....		
28	1			1117-3377-01	Chassikåpa-gul .....	Deck cover-yellow .....		
29	2			9836-9516-12	Skruv .....	Screw .....		
30	1			1117-1147-01	Transmissionskåpa .....	Transmission cap .....		
31	1			9836-9516-12	Skruv .....	Screw .....		
41	1			1136-1536-01	Skrusats .....	Screw set .....		
61	1			1136-1435-01	Styre-underdel .....	Handlebar-lower part .....		
62	1			1117-1309-01	Styrfäste-vä .....	Handle support-L.H. ....		
63	1			1117-1310-01	Styrfäste-hö .....	Handle support-R.H. ....		
64	2			1117-1267-01	Bult .....	Bolt .....		
65	2			9898-0835-12	Skruv .....	Screw .....		
66	2			1117-1192-01	Isolerplatta .....	Isolation .....		
67	4			9699-0028-02	Planbricka .....	Flat washer .....		
68	4			1117-1364-01	Skruv .....	Screw .....		
69	4			9699-0062-02	Planbricka .....	Flat washer .....		
70	2			9747-0831-02	Mutter .....	Lock nut .....		
71	2			1117-3194-01	Låsrott .....	Locking knob .....		
72	2			9799-0831-02	Mutter .....	Nut .....		
101	2			1136-0660-01	Dragavlastare .....	Anchor clamp .....		
102	1			1136-1424-01	Hållare-hö .....	Holder-R.H. ....		
103	1			1111-3613-01	Manöverdosa .....	Switch .....		
104	3			1136-1419-01	Skruv .....	Screw .....		
105	3			9699-0060-02	Planbricka .....	Flat washer .....		
106	3			1136-0693-01	Bricka .....	Washer .....		
107	1			1136-1422-01	Kabelhållare .....	Cable holder .....		
108	1			1136-0662-01	Kabelhållare .....	Fairlead .....		
109	1			1136-1429-01	Manöverbygel .....	Control lever .....		
110	1			1136-1425-01	Hållare-vä .....	Holder-L.H. ....		
111	1			1136-1426-01	Hållare .....	Holder .....		
112	1			1136-1881-01	Styre-överdel .....	Handle-upper .....		
113	1			1136-1407-01	Kopplingswire .....	Clutch cable .....		
114	1			1136-1399-01	Kabelhylsa .....	Cable protector .....		
231	1			1117-3001-01	Mulcherplugg .....	Mulch plug .....		
451	2			9849-7819-16	Skruv .....	Screw .....		
453	1			1117-3378-01	Motorkåpa-gul .....	Motor cover-yellow .....		
454	1			1117-1369-01	Elmotor .....	El.motor .....		
455	1			9400-0224-00	Kondensator .....	Capacitor .....		
456	2			1136-1213-01	Skruv .....	Screw .....		
457	3			9699-0028-02	Planbricka .....	Flat washer .....		
458	3			9678-0009-02	Låsbricka .....	Lock washer .....		
459	4			9799-0831-02	Mutter .....	Nut .....		
460	4			9699-0062-02	Planbricka .....	Flat washer .....		
462	3			1117-1361-01	Motorstöd .....	Motor support .....		
463	1			9997-0880-16	Skruv .....	Screw .....		
464	1			1117-1359-01	Klämma .....	Clamp .....		
465	1			1117-1245-01	Kabelklämma .....	Cable clamp .....		
466	1			9849-7819-16	Skruv .....	Screw .....		
467	4			1117-1112-01	Bult .....	Bolt .....		
468	1			1117-1372-02	Motorbrunn-svart .....	Motor mount-black .....		
469	1			1117-1373-02	Motorskydd-svart .....	Motor cover-black .....		
470	4			9747-0831-02	Mutter .....	Lock nut .....		
471	4			9849-7819-16	Skruv .....	Screw .....		

X



Utgåva Issue 2005-12		Bildnr Picture No 1908		LADYBIRD 45S EL CHASSI STYRE		LADYBIRD 45S EL CHASSIS HANDLE		Sida Page 78	
Pos. Fig.	Antal/Quantity			Art nr Part No	Benämning	Description	Sats Kit	Anmärkning Notes	
	2868 -51								
472	2			9836-9525-12	Skruv .....	Screw .....			
501	1			1111-2787-02	Knivbult .....	Blade bolt .....			
502	1			1117-1111-01	Knivbricka .....	Disc washer .....			
503	1			1111-9117-01	Kniv .....	Blade .....			
504	1			1117-1299-01	Fläkt .....	Impeller .....			
505	1			1117-1151-01	Knivfäste .....	Blade mount .....			
506	1			1117-1358-01	Skydd .....	Motor shaft protectio .....			
601	1			1117-1157-01	Uppsamlarlock- gul .....	Grassbag cover- yellow .....			
602	1			1117-1218-01	Uppsamlare- underdel .....	Lower grass bag .....			
603	2			9836-9516-12	Skruv .....	Screw .....			



Utgåva Issue		Bildnr Picture No		LADYBIRD 45S EL TRANSMISSION HJULUPPHÄNGNING		LADYBIRD 45S EL TRANSMISSION WHEEL SUSPENSION		Sida Page	
2005-12		1909						80	
Pos. Fig.	Antal/Quantity			Art nr Part No	Benämning	Description	Sats Kit	Anmärkning Notes	
	2868 -51								
251	8			9836-9516-12	Skruv .....	Screw .....			
252	1			1117-1334-01	Framaxel .....	Front shaft .....			
253	2			9747-0831-02	Mutter .....	Lock nut .....			
254	2			9939-0816-16	Skruv .....	Screw .....			
255	2			1117-1131-01	Flänsmutter .....	Nut .....			
256	2			1117-1161-01	Hjulsköld .....	Wheel protection .....			
257	2			9699-0078-02	Bricka .....	Washer .....			
258	4			9549-0053-00	Kullager .....	Ball bearing .....			
259	2			1111-3163-01	Hjul .....	Wheel .....			
260	2			9694-0003-00	Bricka .....	Washer .....			
261	2			1111-3164-01	Hjulbult .....	Wheel axle bolt .....			
262	2			1111-3084-01	Navkapsel- gul .....	Hub cap- yellow .....			
265	2			9836-9512-12	Skruv .....	Screw .....			
267	1			1117-1174-01	Höjdställningsspak .....	Height adjust lever .....			
268	2			1117-3256-01	Hjulsköld .....	Wheel protection cap .....			
269	2			9694-0003-00	Bricka .....	Washer .....			
270	2			1111-3296-01	• Kullager .....	• Ball bearing .....			
271	2			1111-2665-01	Hjul kpl .....	Wheel assy .....		Inkl. pos 270	
272	2			9699-0085-02	Planbricka .....	Flat washer .....			
273	2			1136-1397-01	Skruv .....	Screw .....			
274	2			1111-3085-01	Navkapsel- gul .....	Hub cap- yellow .....			
276	1			1117-1130-01	Höjdställningsstag .....	Connection rod .....			
401	1			1117-1160-01	Bakaxel .....	Shaft- backside .....			
402	1			1136-1408-01	Transmission kpl .....	Transmission assy .....			
405	1			1117-1120-01	Fjäder .....	Spring .....			
406	2			9595-0212-00	Spännstift .....	Locating pin .....			
407	2			9549-0053-00	Kullager .....	Ball bearing .....			
408	2			9591-0011-00	Stift .....	Pin .....			
410	2			1111-3256-01	Drivkil .....	Drive key .....			
411	2			1111-3075-01	Kuggjul- plasthjul .....	Pinion- plastic wheel .....			
412	4			1111-2830-01	Stödbricka .....	Support washer .....			
413	2			1117-1083-01	Låsring .....	Safety ring .....			
414	1			1111-9114-01	Drivrem .....	Drive belt .....			
415	1			1117-3018-01	Remskiva .....	Pulley .....			
416	1			1136-0612-01	Stift .....	Pin .....			
417	1			1136-1882-01	Remskiva .....	Belt pulley .....			
418	1			1136-1417-01	Stoppskruv .....	Set screw .....			

X