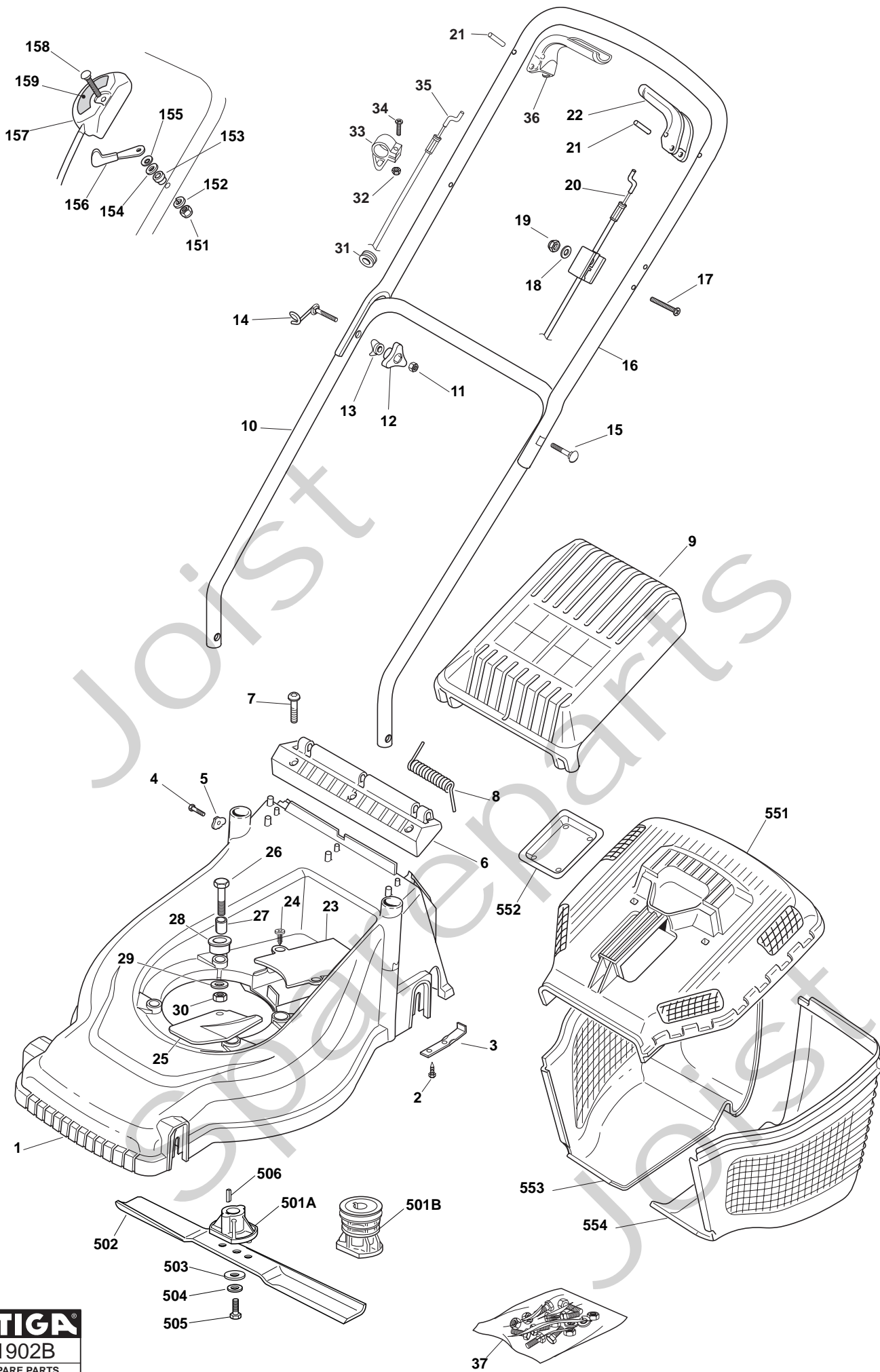


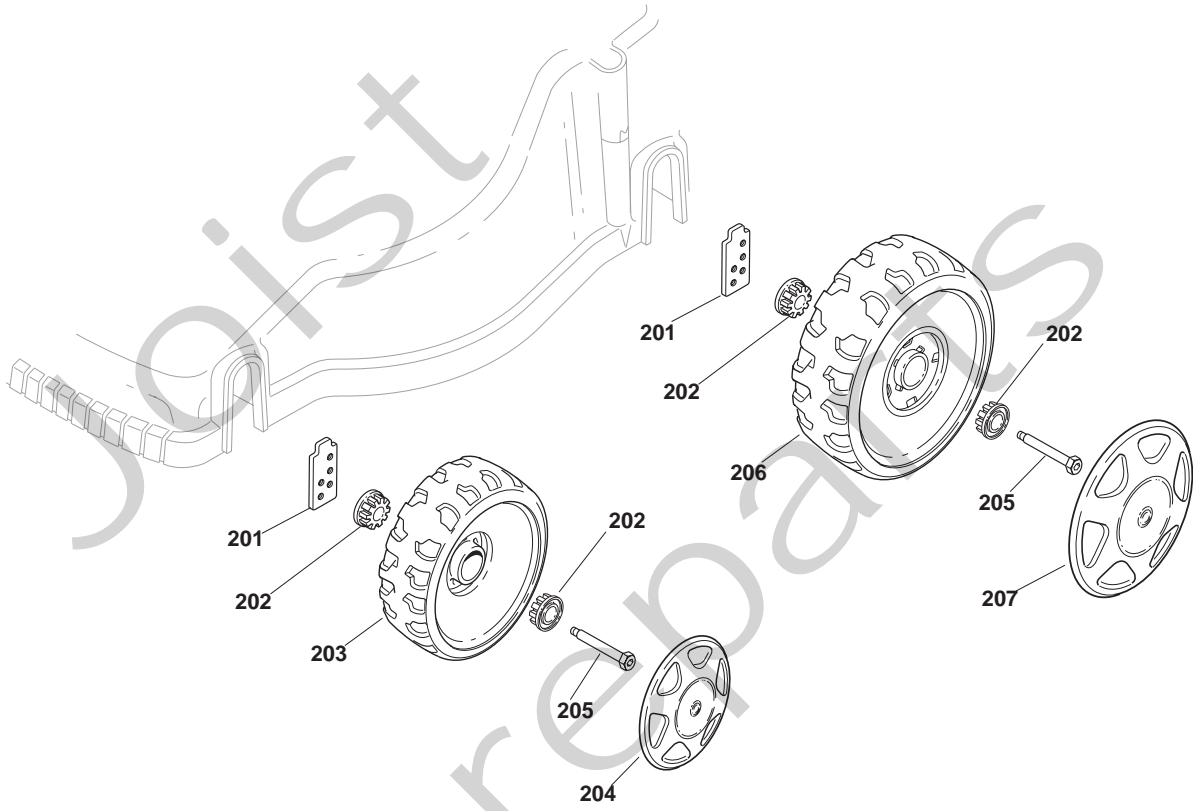
Genuine Spare Parts



Joist
Spareparts
Joist



Utgåva Issue		Bildnr Picture No		COLLECTOR 43 COLLECTOR 43S CHASSI STYRE		COLLECTOR 43 COLLECTOR 43S CHASSIS HANDLE		Sida Page
2008- 12		1902B						84
Pos. Fig.	Antal/Quantity			Art nr Part No	Benämning	Description	Sats Kit	Anmärkning Notes
	2134 -14	2334 -12						
1	1	1		22066704/0	Chassi- gul.....	Chassis- yellow		
2	4	4		12728680/0	Skruv	Screw		
3	2	2		22608531/0	Förstärkning- bak.....	Reinforcement- rear		
4	2	2		12728450/0	Skruv	Screw		
5	2	2		22545135/0	Platta	Plate		
6		1		22785165/0	Hållare	Support		
6	1			22785194/0	Hållare	Support		
7	3	3		12728686/0	Skruv	Screw		
8	1	1		22450430/0	Fjäder.....	Spring		
9	1	1		22600080/0	Lucka- gul.....	Stone guard- yellow		
10	1	1		81006609/0	Styre- underdel	Handle- lower		
11	2	2		12293200/0	Mutter.....	Nut		
12	2	2		22399900/0	Låsraff	Locking knob		
13	2	2		22680006/1	Bricka	Washer		
14	1	1		81003801/1	Snörållare	Rope holder		
15	1	1		12819201/0	Skruv	Screw		
16	1	1		81006577/0	Styre- överdel	Handle- upper.....		
17	1	1		12674700/0	Skruv	Screw		
18	1	1		12521330/0	Bricka	Washer.....		
19	1	1		12292100/0	Mutter.....	Nut		
20	1	1		81000614/0	Motorbromswire.....	Engine brake cable		
21	2	2		12645710/0	Stift.....	Pin		
X 22	1	1		322321700/1	Handtag	Control handle.....		
23	1	1		22060171/0	Remskydd	Belt protection.....		
24	2	2		12728686/0	Skruv	Screw		
25	1	1		22484070/1	Ljuddämparskydd.....	Muffler guard		
26	3	3		12691900/0	Skruv	Screw		
27	3	3		22167842/0	Distans	Spacer		
28	1	1		22040265/0	Bussning	Bushing.....		
29	3	3		12523070/0	Bricka	Washer.....		
30	3	3		12155000/0	Mutter.....	Nut		
31		1		18564520/1	Hylsa	Fairlead		
32		1		12292100/0	Mutter.....	Nut		
33		1		22806521/0	Klämma	Clamp.....		
34		1		12769616/0	Skruv	Screw		
X 35		1		81000704/0	Kopplingswire.....	Clutch cable		
36		1		22321701/0	Handtag	Control handle.....		
X 37		1		81008673/1	Skrivsats.....	Screw set		
37	1			81008679/0	Skrivsats.....	Screw set		
151	1	1		12291000/0	Mutter.....	Nut		
152	1	1		12581500/0	Låsbricka	Washer.....		
153	1	1		22171005/0	Distans	Spacer		
154	1	1		12521360/0	Bricka	Washer.....		
155	1	1		12508100/0	Låsbricka	Washer.....		
156	1			81007220/0	Gasarm	Throttle lever.....		
156		1		81007279/1	Gasarm	Throttle lever.....		
157	1			81007080/0	Gaswire	Throttle cable		
X 157		1		81007093/0	Gaswire	Throttle cable		
158	1	1		12815000/0	Skruv	Screw		
159	1			14356702/0	Dekal	Label		
X 159		1		14360197/0	Dekal	Label		
501 A	1			1111- 9168- 01	Knivfäste.....	Blade holder.....		
501 B		1		1111- 9120- 01	Knivfäste m.remskiva	Hub w. pulley		
502	1	1		1111- 9142- 01	Kniv	Blade		
503	1	1		22160400/0	Bricka	Elastic washer		
504	1	1		12523080/0	Bricka	Washer.....		
505	1	1		12735698/0	Skruv	Screw		
506	1	1		12139100/0	Kil	Key		
551	1	1		22486116/0	Uppsamlare- överdel.....	Grassbox- upper.....		
552	1	1		22486098/0	Platta	Plate		
553	1	1		22486120/0	Uppsamlare- undre, hö	Grassbox- lower RH		
554	1	1		22486119/0	Uppsamlare- undre, vä.....	Grassbox- lower LH.....		



Utgåva Issue 2008-12		Bildnr Picture No 2107A		COLLECTOR 43 HJULUPPHÄNGNING		COLLECTOR 43 WHEEL SUSPENSION		Sida Page 86	
Pos. Fig.	Antal/Quantity				Art nr Part No	Benämning	Description	Sats Kit	Anmärkning Notes
	2134 -14								
X 201	4				322785093/1	Hjulhållare	Wheel support.....		
202	8				22034515/1	Bussning	Bushing.....		
203	2				22686091/1	Hjul	Wheel.....		
204	2				22110394/0	Navkapsel	Hub cap.....		
205	4				22524340/0	Hjulbult	Wheel bolt.....		
206	2				22686092/0	Hjul	Wheel.....		
207	2				22110309/0	Navkapsel	Hub cap.....		