

# Genuine Spare Parts

www.stiga.com

## COMBI 48 SQ BW Model Year 2011

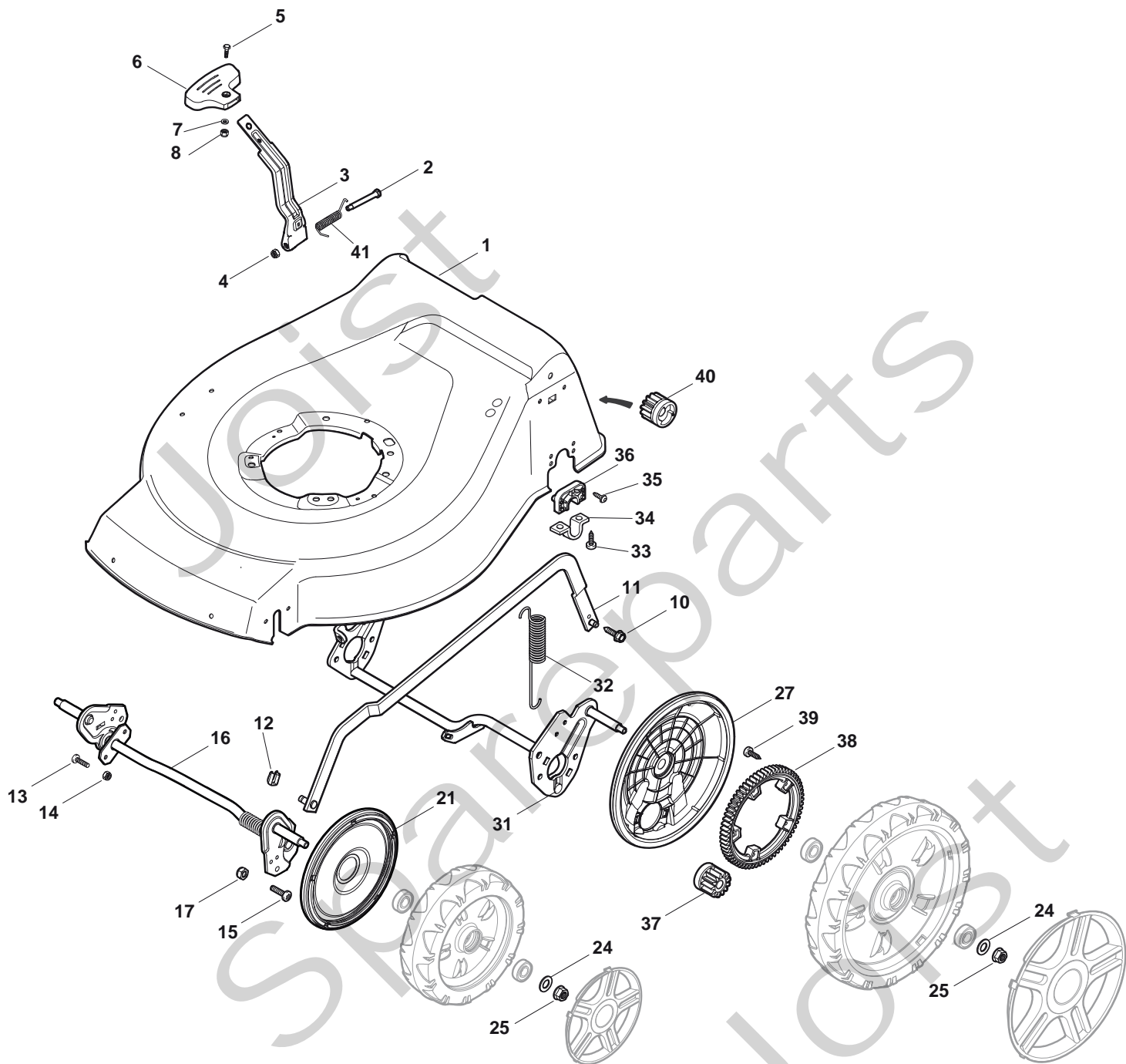
- Use GLOBAL GARDEN PRODUCT Genuine Spare Parts specified in the parts list for repair and/or replacement.
- The contents described in the parts list may change due to improvement.
- The drawings of the spare parts are only indicative and might not represent the part in question exactly.
- The indications "right" - "left" - "front" - "rear" refer to the position of the operator when using the machine.
- When placing orders of parts for repair and/or replacement, make sure that the illustrated parts list is the one applying to the machine's year of manufacture, as shown on the identification plate attached to the machine.

COPYRIGHT by GLOBAL GARDEN PRODUCTS

All rights reserved. No part of this material may be reproduced or transmitted, in any form or by any means, electronic or mechanical, including photocopying, recording or by any information storage and retrieval system, without permission in writing from GLOBAL GARDEN PRODUCTS.



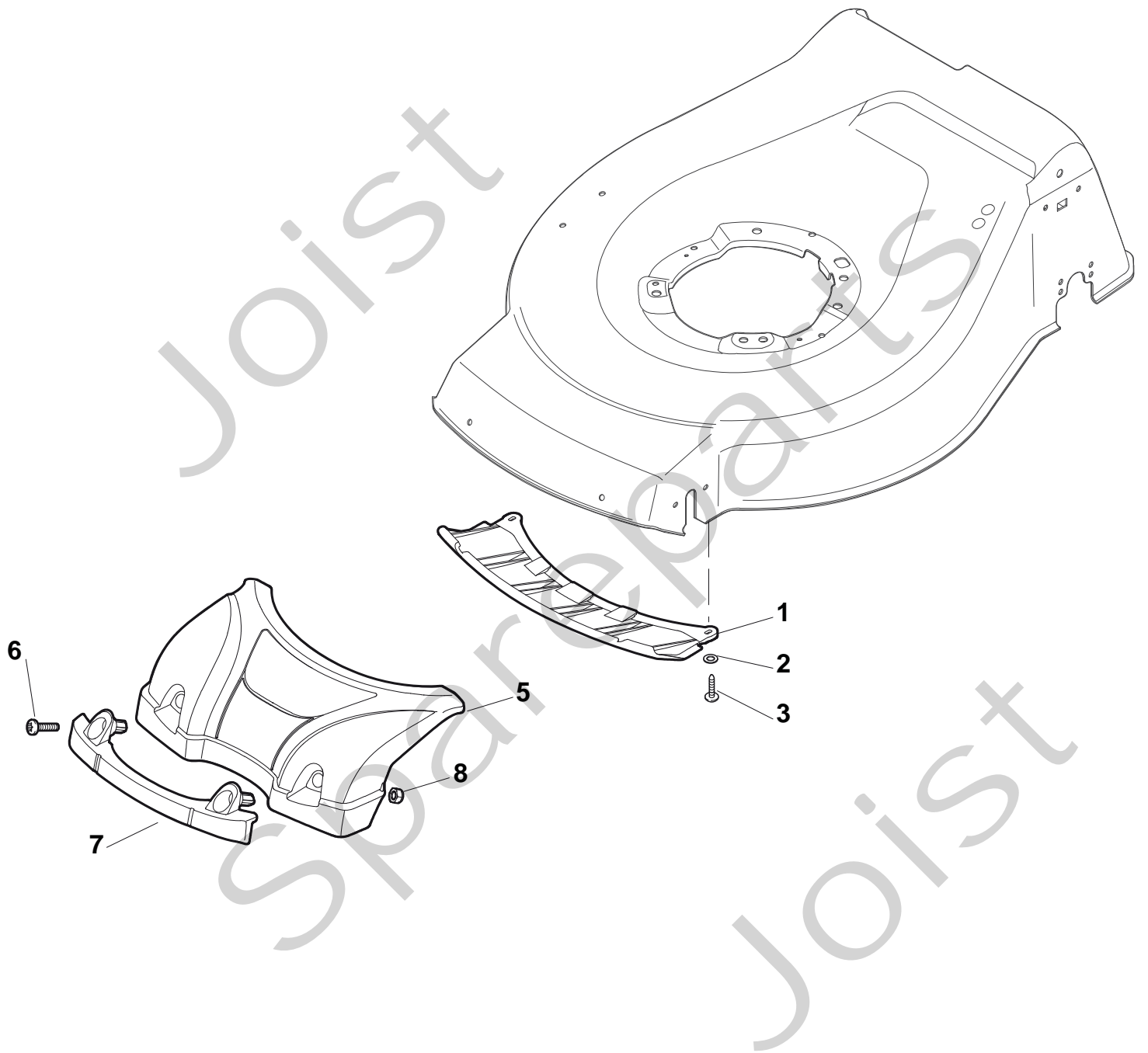
COMBI 48 SQ BW





## COMBI 48 SQ BW

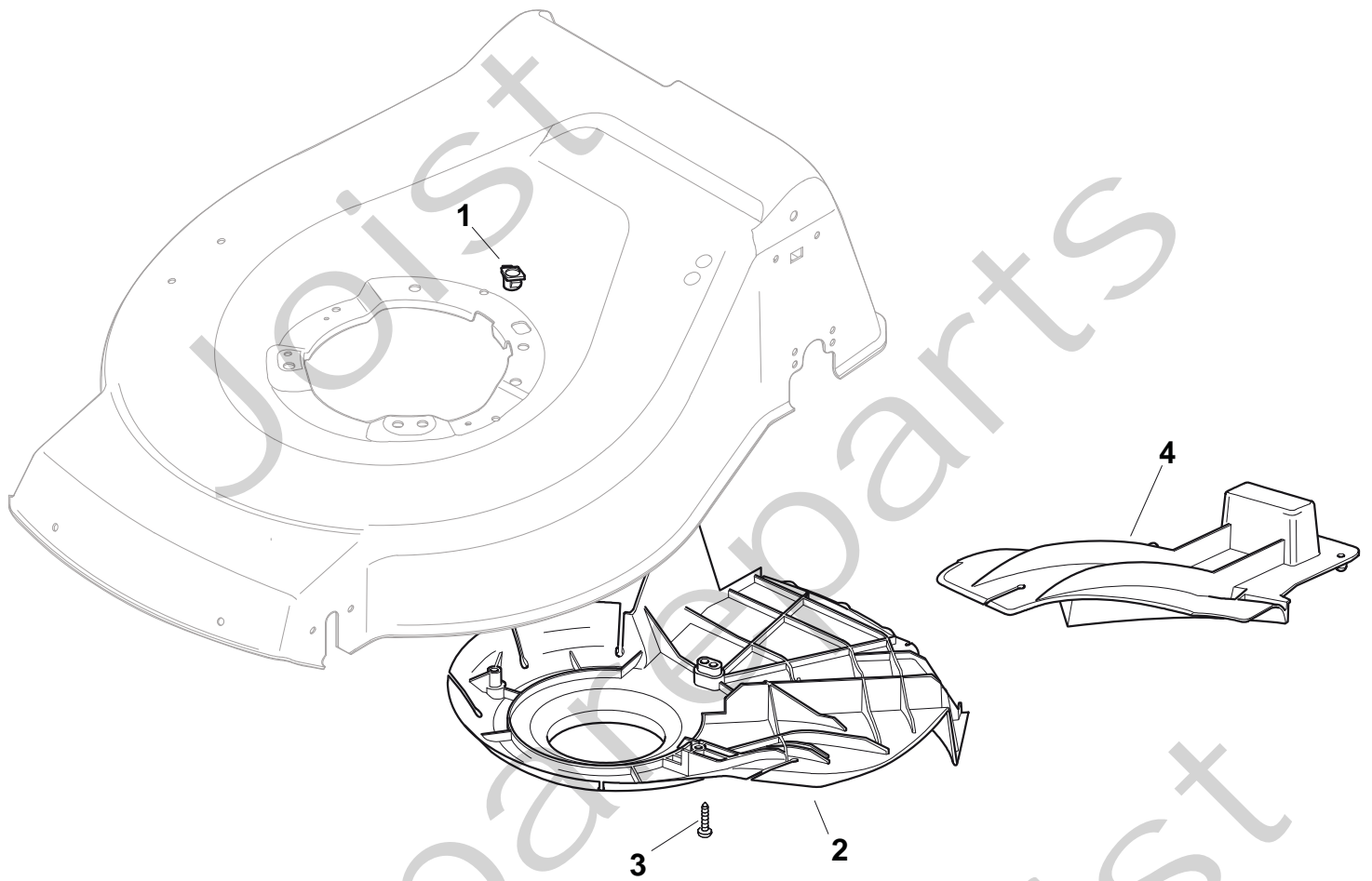
Pos. Fig.	Antal Quantity	Art No Part No	Benämning	Description	Anmärkning Notes
1	1	381003918/0	Chassi-svart	Deck Black	
2	1	122534131/0	Remstyrning	Pin	
3	1	381003398/0	Höjdinställningsspak	Lever, Height Adjustment	
4	1	12154510/0	Mutter	Nut	
5	1	12788512/0	Skruv	Screw	
6	1	322394503/0	Knopp	Knob	
7	1	12521310/0	Bricka	Washer	
8	1	12150000/0	Mutter	Nut	
10	1	122943013/0	Skruv	Screw	
11	1	381002032/0	Höjdinställn.stång	Rod, Height Adjustment	
12	1	112436051/0	Plåt	Plate	
13	3	112727803/0	Skruv	Screw	
14	3	12154510/0	Mutter	Nut	
15	1	112727801/0	Skruv	Screw	
16	1	381002887/1	Hjulaxel-fram	Axle, Front Wheels	
17	1	12154510/0	Mutter	Nut	
21	2	322600145/0	Hjulskydd	Protection, Wheel	
24	4	12521350/0	Bricka	Washer	
25	4	12155000/0	Mutter	Nut	
27	2	322600208/0	Hjulskydd	Protection, Wheel	
31	1	381302835/0	Hjulaxel-bakre	Axle, Rear Wheels	
32	1	122450460/0	Fjäder	Spring	
33	4	112728697/0	Skruv	Screw	
34	2	22545152/0	Plåt	Plate	
35	4	112728697/0	Skruv	Screw	
36	2	322785304/0	Fäste	Support	
37	1	122570134/0	Drev hö	Pinion L	
38	2	322120115/0	Ringdrev	Ring Gear	
39	6	112728706/0	Skruv	Screw	
40	1	122570133/0	Drev vä	Pinion R	
41	1	122446192/0	Fjäder	Spring	





## COMBI 48 SQ BW

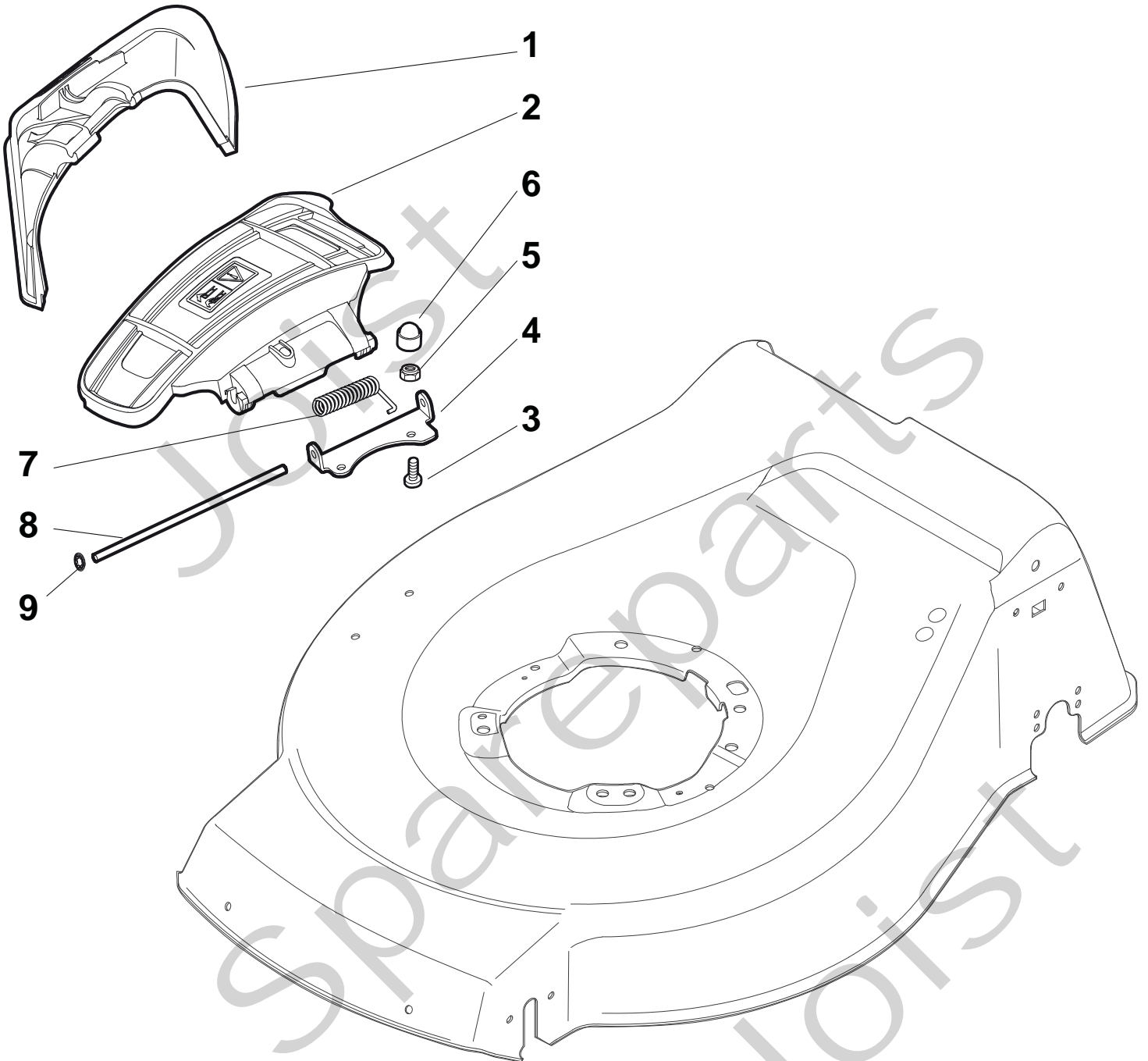
Pos. Fig.	Antal Quantity	Art No Part No	Benämning	Description	Anmärkning Notes
1	1	322500103/0	Air Intake Grill	Air Intake Grill	
2	2	112523000/1	Bricka	Washer	
3	2	12728124/0	Skruv	Screw	
5	1	322226153/0	Frontkåpa-svart	Mask, Black	
6	2	112727799/0	Skruv	Screw	
7	1	322393640/0	Handtag-gul	Handle, Yellow	
8	2	12154510/0	Mutter	Nut	





## COMBI 48 SQ BW

Pos. Fig.	Antal Quantity	Art No Part No	Benämning	Description	Anmärkning Notes
1	1	22291150/0	Handtag	Rubber Insert	
2	1	322060197/2	Remskydd	Protection, Belt	
3	3	12728530/0	Skruv	Screw	
4	1	22140222/0	Deflektor	Deflector	

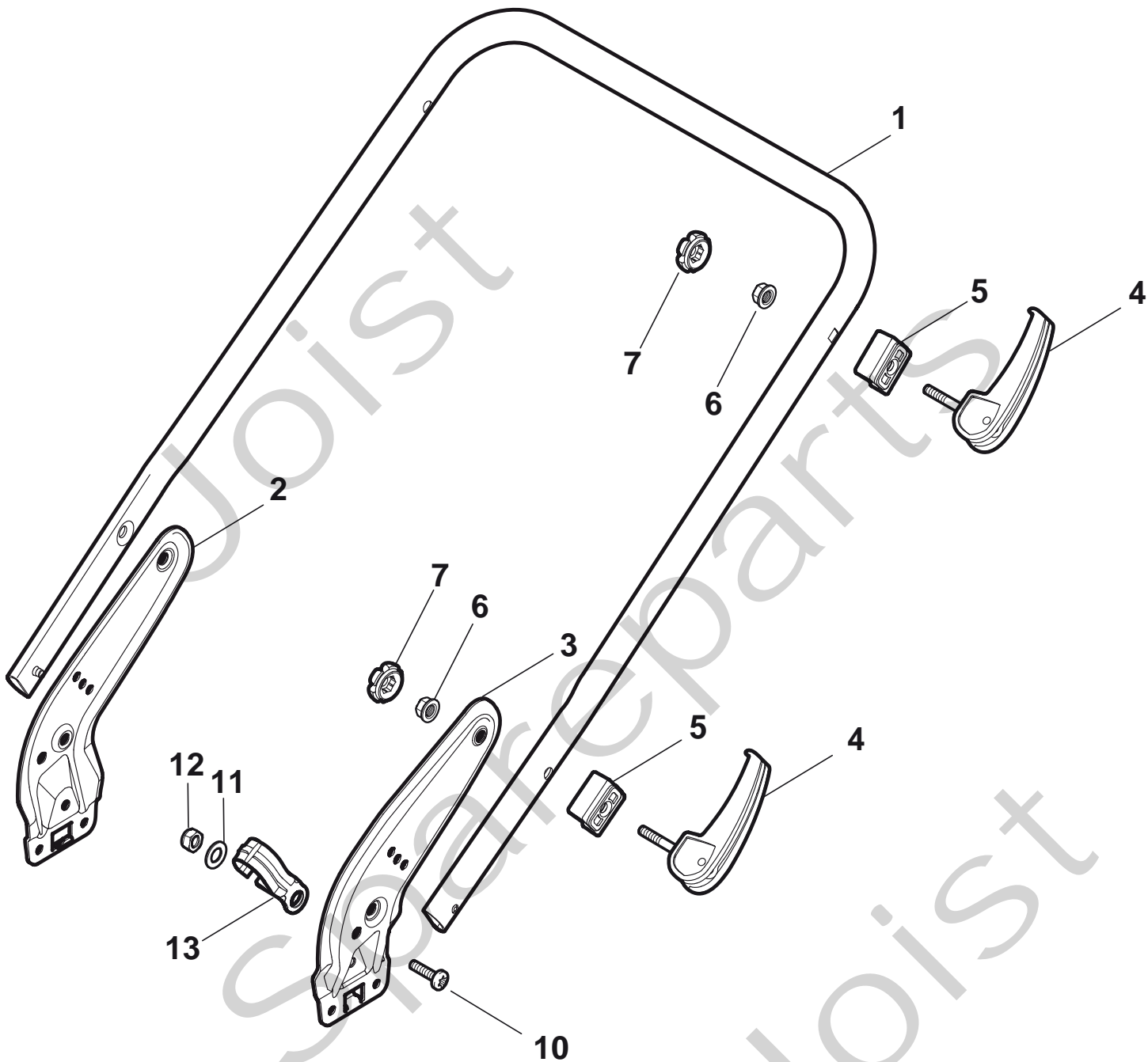






## COMBI 48 SQ BW

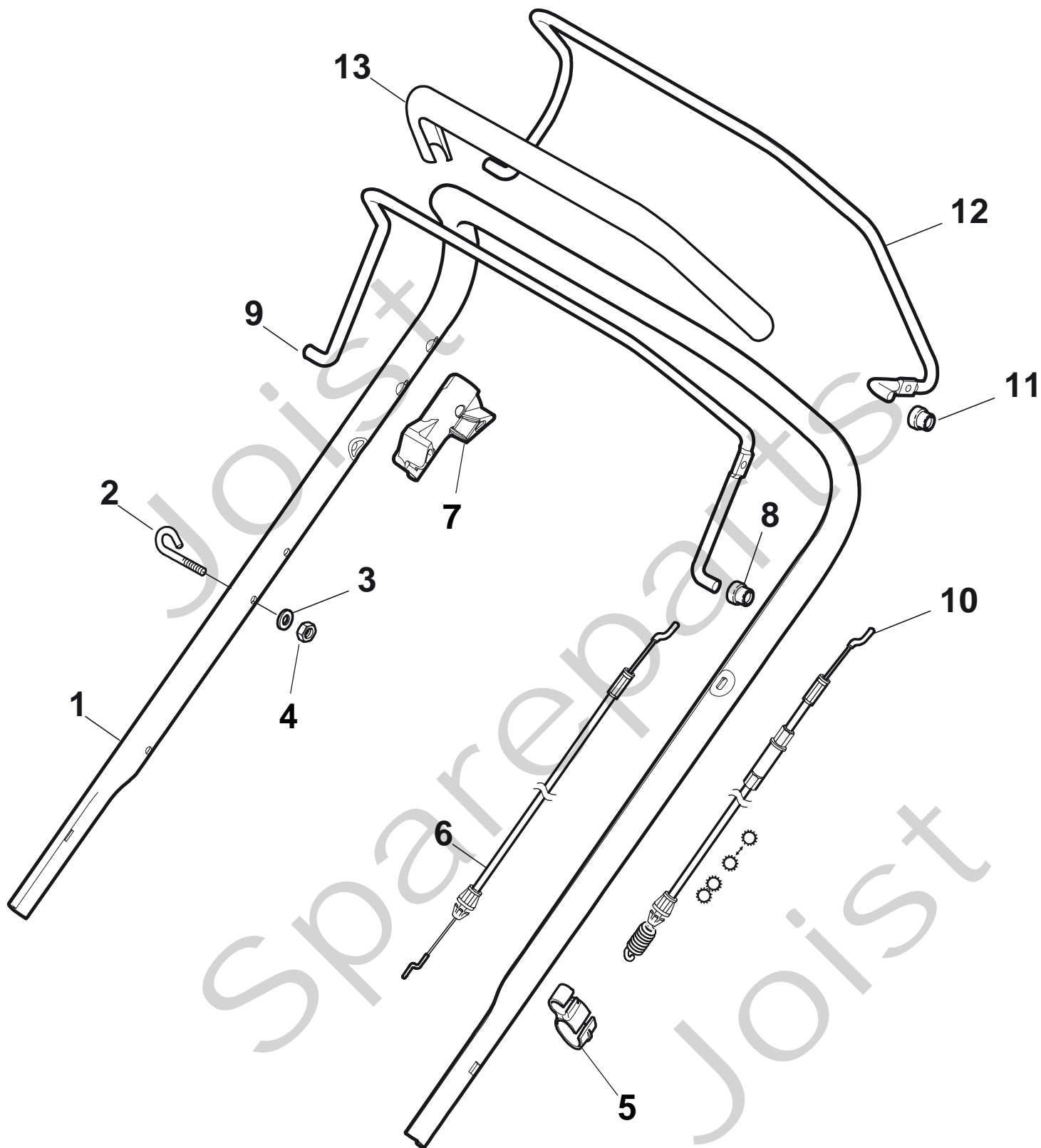
Pos. Fig.	Antal Quantity	Art No Part No	Benämning	Description	Anmärkning Notes
1	1	322108295/0	Lucka	Stone-Guard	
2	1	322600195/0	Output skydd	Ejection Guard	
3	2	112727803/0	Skruv	Screw	
4	1	322806639/0	Vridpunkt	Fulcrum Pin	
5	2	12154510/0	Mutter	Nut	
6	2	18203853/0	Batteri	Protection	
7	1	122450456/0	Fjäder	Spring	
8	1	122517869/0	Stift	Pin	
9	2	12604896/0	Skruv	Crown Fastener	





## COMBI 48 SQ BW

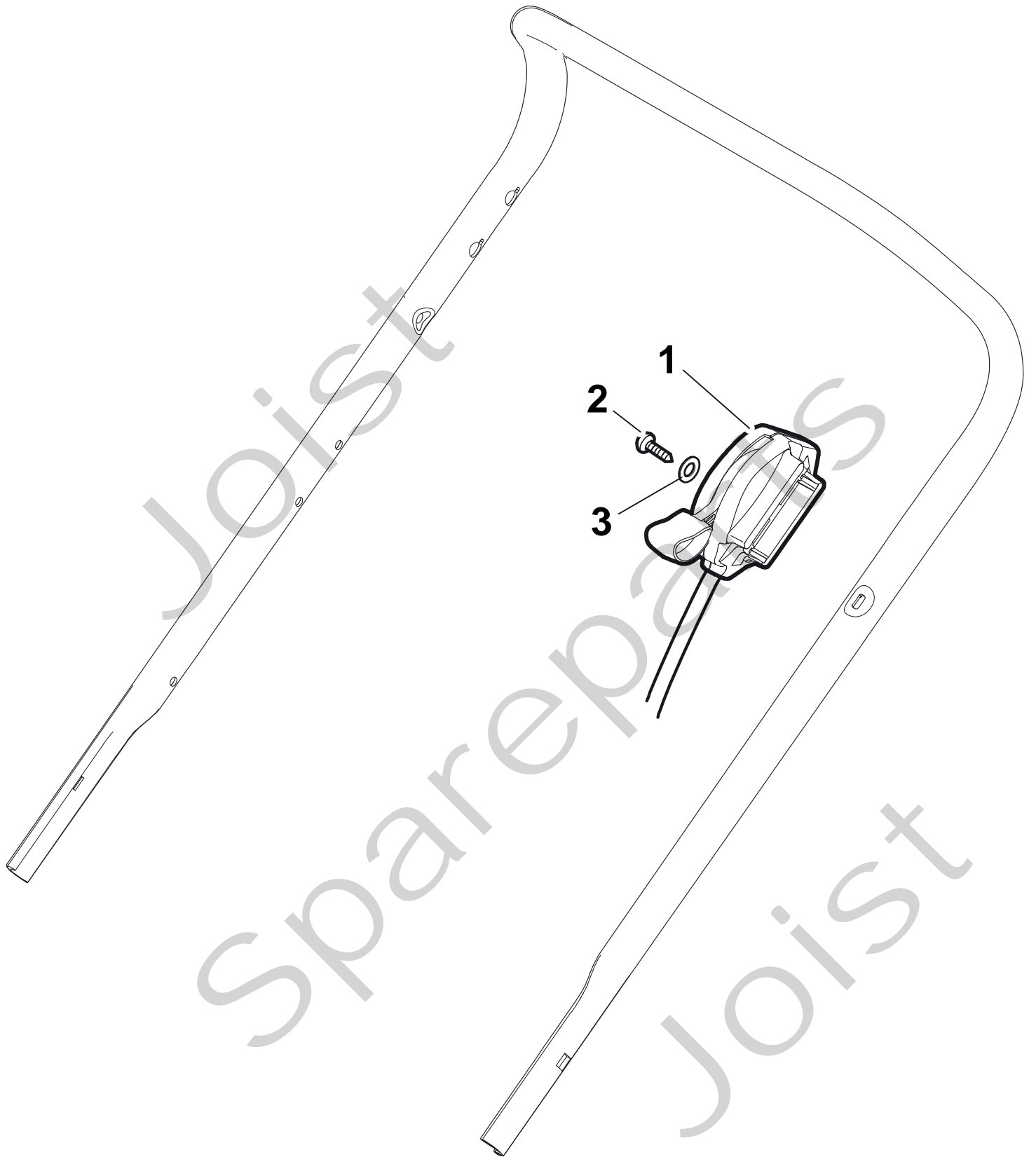
Pos. Fig.	Antal Quantity	Art No Part No	Benämning	Description	Anmärkning Notes
1	1	381006719/0	Styre-underdel	Handle, Lower Part	
2	1	381005149/0	Fäste-hö	Bracket, R	
3	1	381005151/0	Fäste-vä	Bracket, L	
4	4	381003253/0	Handtag	Handle	
5	4	322680016/0	Fäste	Support	
6	4	22131750/0	Mutter	Nut	
7	4	322399835/0	Knopp	Knob	
10	2	12760605/0	Skruv	Screw	
11	2	25038002/1	Bussning	Bush	
12	2	12155000/0	Mutter	Nut	
13	1	322192156/0	Kabelhållare	Fair Led	

**COMBI 48 SQ BW**



## COMBI 48 SQ BW

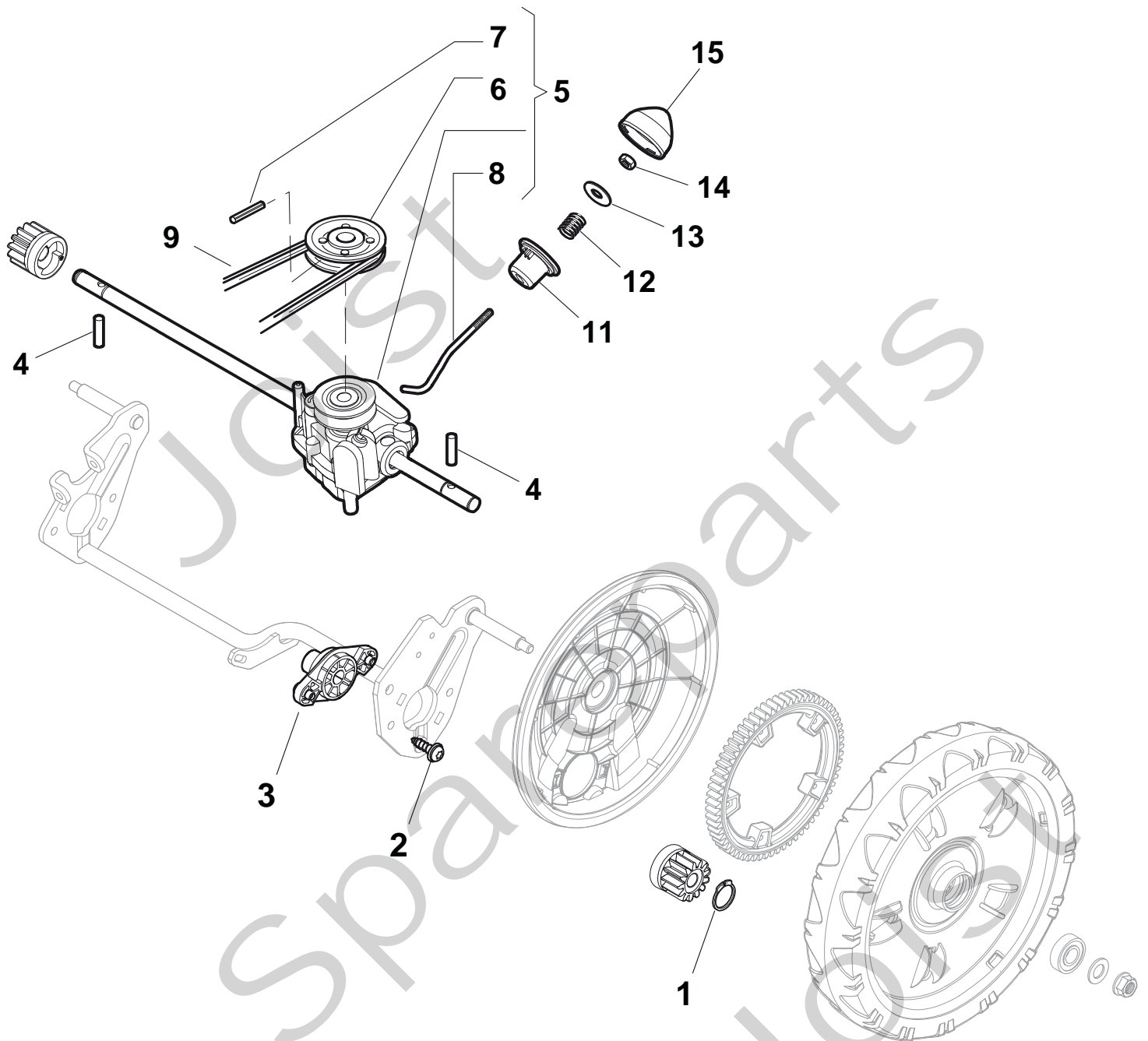
Pos. Fig.	Antal Quantity	Art No Part No	Benämning	Description	Anmärkning Notes
1	1	381006807/0	Styre-överdel	Handle, Upper Part with sponge handgrip	
1	1	381006887/0	Styre-överdel	Handle, Upper Part	
2	1	22430313/0	Fjäder	Guide Spring	
3	1	12521330/0	Bricka	Washer	
4	1	12154510/0	Mutter	Nut	
5	1	118390020/0	Startkabel	Fairlead	
6	1	181030053/0	Motorbromswire	Cable, Thread Eng. Brake	
7	1	322545204/0	Vridpunkt	Fulcrum Pin	
8	2	22041966/0	Bussning	Bush	
9	1	181003300/0	Transmission	Lever, Engine Brake	
10	1	381030051/0	Kopplingswire	Cable, Rear Drive	
11	2	22041966/0	Bussning	Bush	
12	1	181003301/0	Reglagebygel	Lever, Driving	
13	1	22291050/0	Hylsa	Handgrip Black	only for handle part no. 381006887/0
14	1	22551640/0	Plåt	Plate	
15	1	12728640/0	Skruv	Screw	





## COMBI 48 SQ BW

Pos. Fig.	Antal Quantity	Art No Part No	Benämning	Description	Anmärkning Notes
1	1	181005501/1	Kniv	Throttle Cable	
2	1	12735103/0	Skruv	Screw	
3	1	12523040/0	Bricka	Washer	

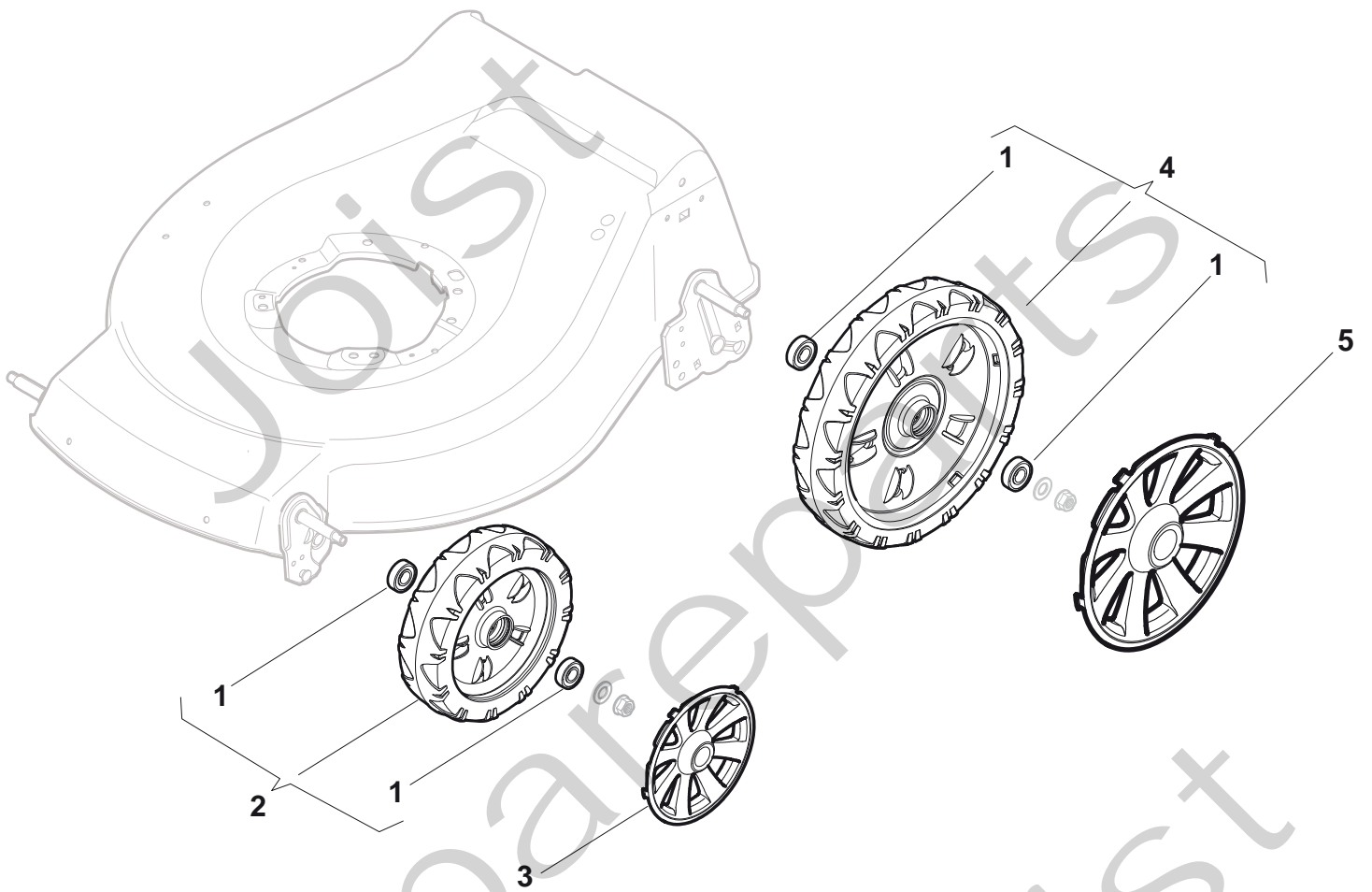






## COMBI 48 SQ BW

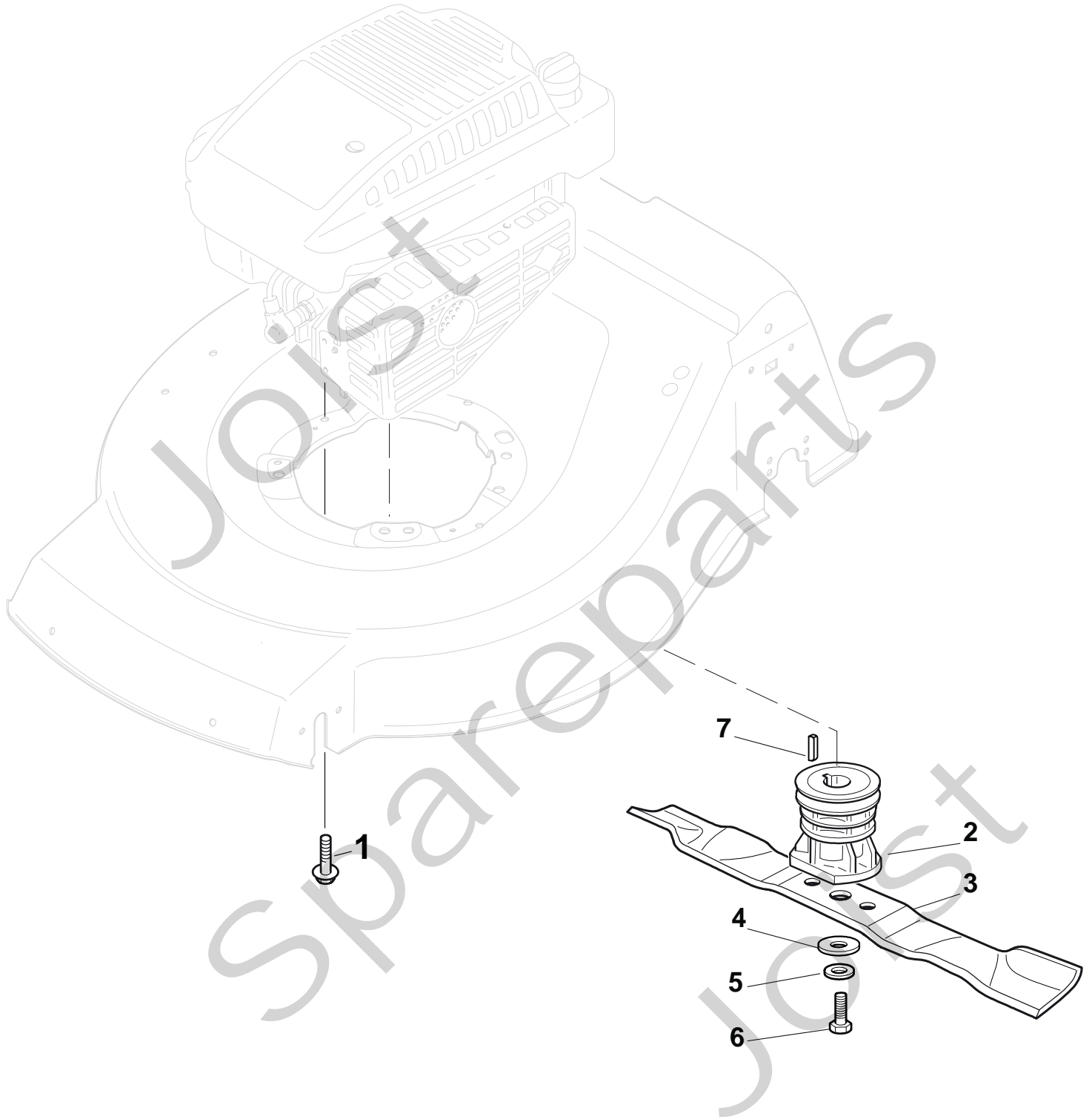
Pos. Fig.	Antal Quantity	Art No Part No	Benämning	Description	Anmärkning Notes
1	2	12608600/0	Seeger	Seeger	
2	4	112728697/0	Skruv	Screw	
3	2	322042063/0	Bussning	Bush	
4	2	22753000/0	Stift	Pin	
5	1	81003092/0	Transmission	Gear Box	
6	1	22601904/0	Remskiva	Pulley	
7	1	12645700/0	Stift	Pin	
8	1	22033283/0	Justerstång	Adjustment Rod	
9	1	35063902/0	Drivrem Z 29,5	Belt Z 29.5	
11	1	22041957/1	Bussning	Bush	
12	1	22450063/0	Fjäder	Spring	
13	1	22680009/0	Bricka	Washer	
14	1	12154510/0	Mutter	Nut	
15	1	22110230/0	Huvstöd	Cap	





## COMBI 48 SQ BW

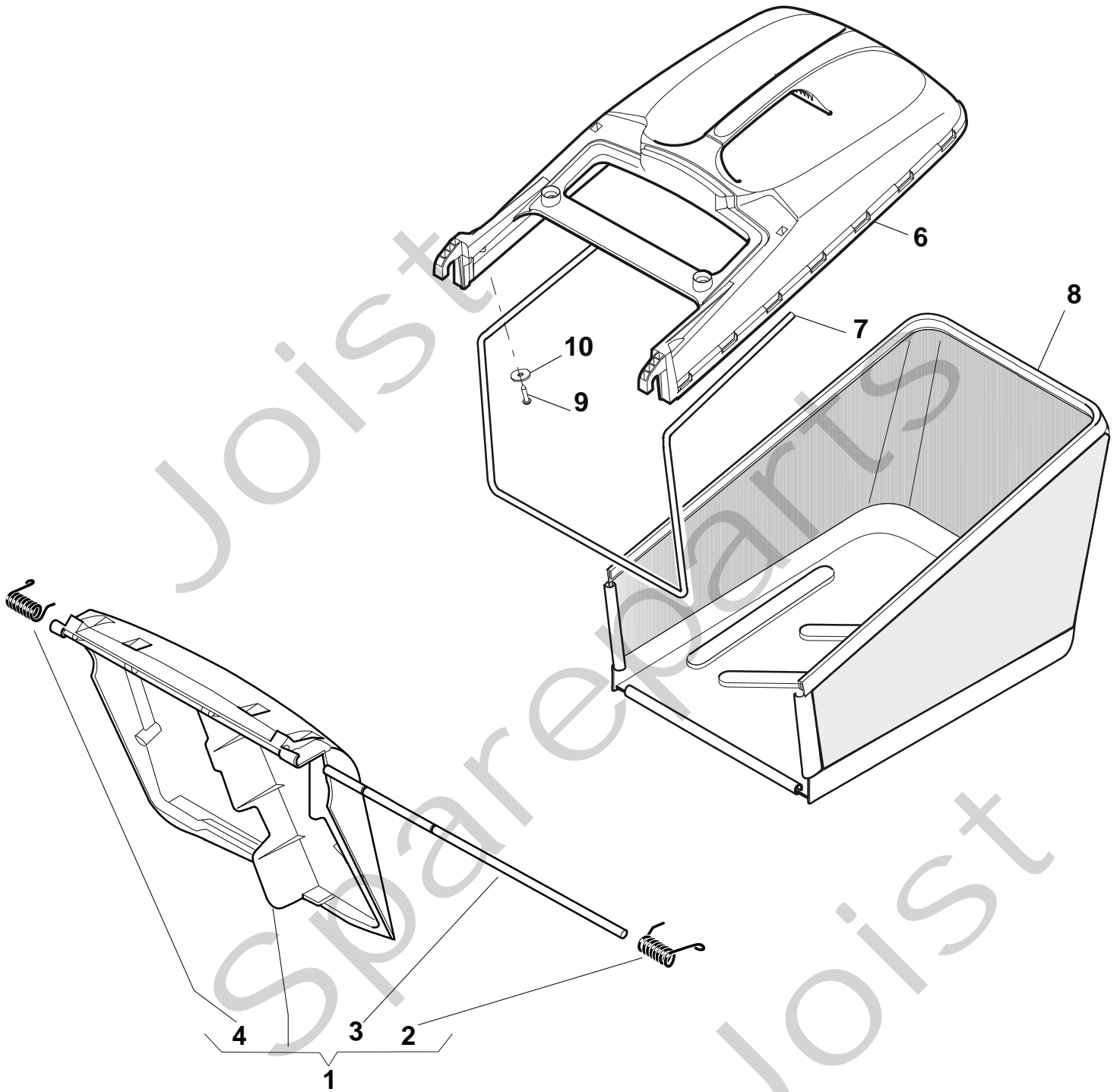
Pos. Fig.	Antal Quantity	Art No Part No	Benämning	Description	Anmärkning Notes
1	8	19216035/0	Låsring	Bearing	
2	2	381007416/1	Hjul Ø 200	Ruota Ø 200	
3	2	322110645/0	Navkapsel	Hub Cap	
4	2	381007417/1	Hjul Ø 280	Ruota Ø 280	
5	2	322110646/0	Navkapsel	Hub Cap	





## COMBI 48 SQ BW

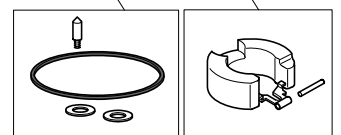
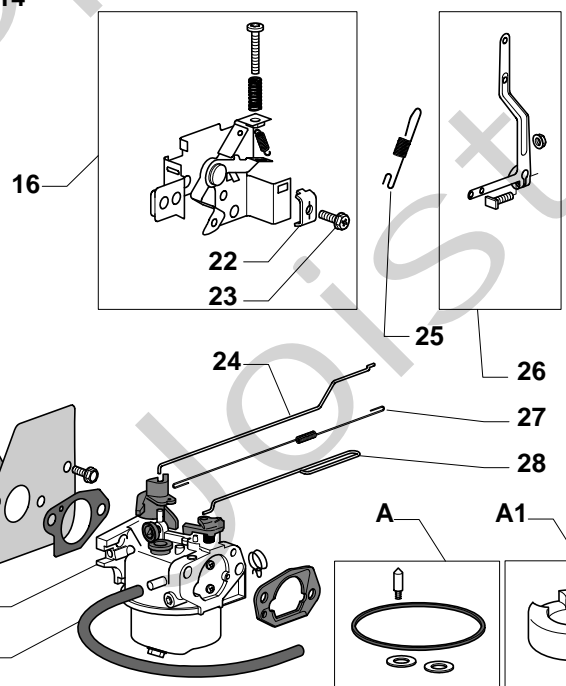
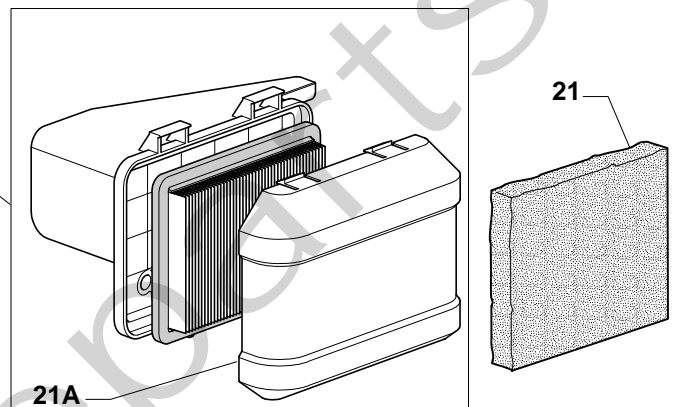
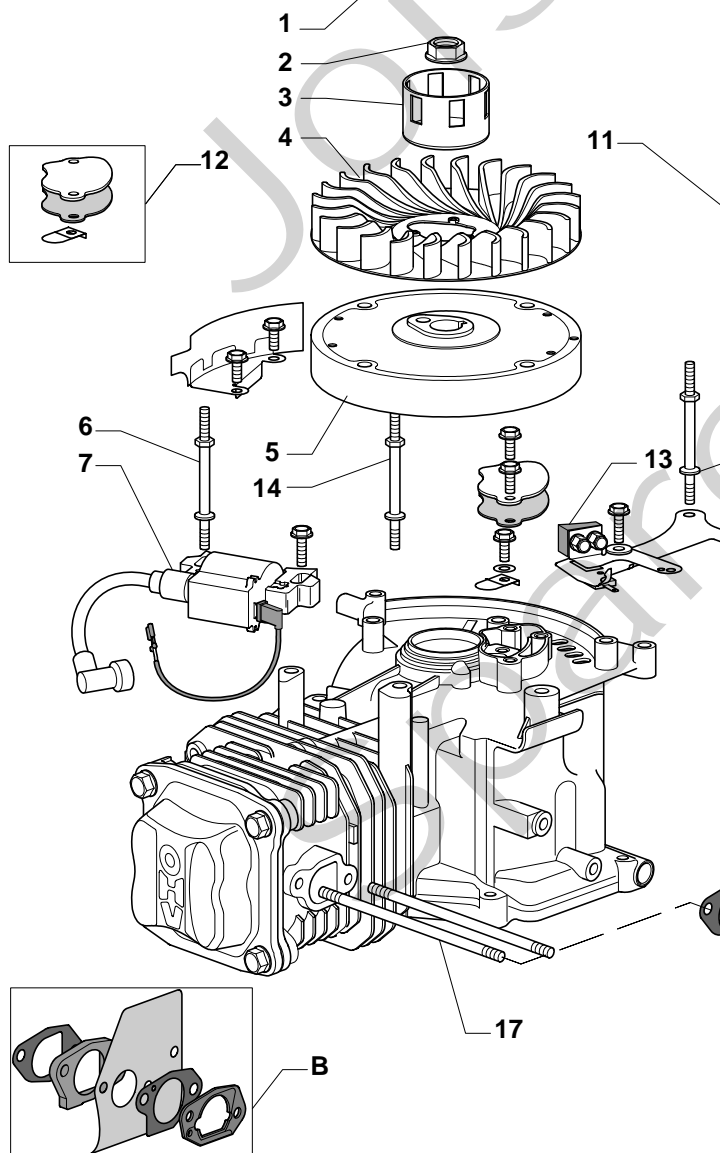
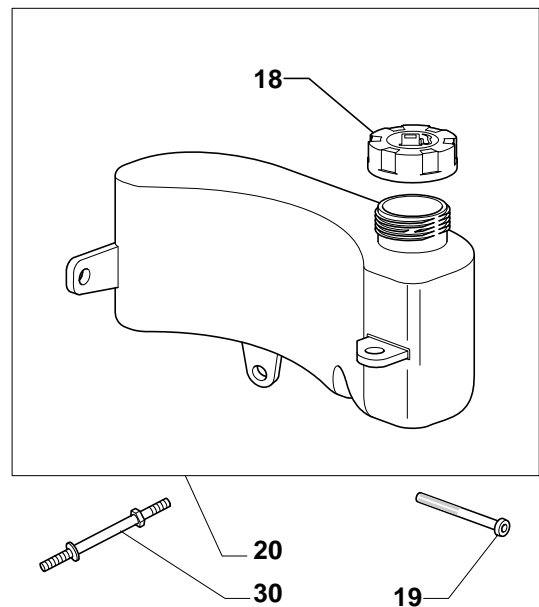
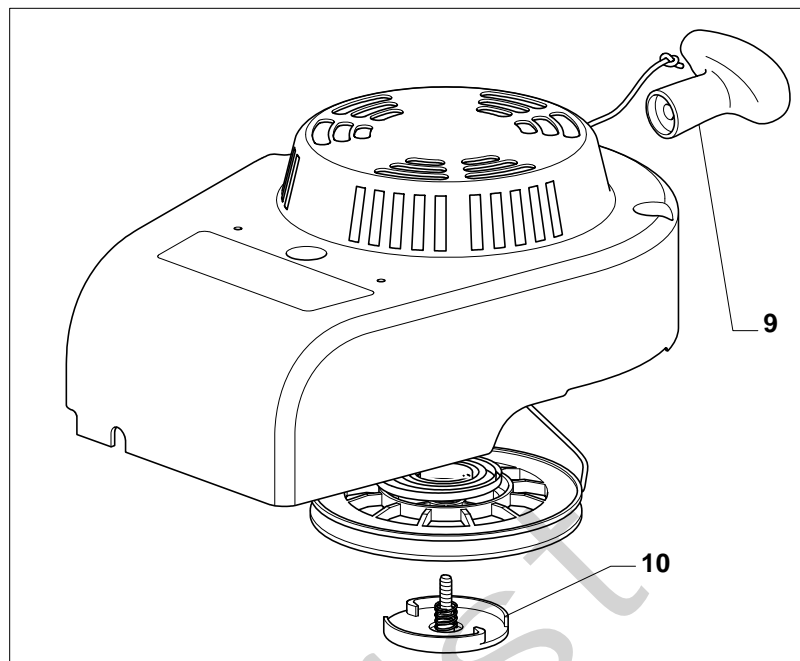
Pos. Fig.	Antal Quantity	Art No Part No	Benämning	Description	Anmärkning Notes
1	3	112735108/1	Skruv	Screw	
2	1	122465607/3	Fläkt Ø 22.2	Hub With Pulley, Crankshaft Ø 22.2	
3	1	81004381/1	Kniv	Blade Standard	
4	1	22160400/0	Dammskydd	Dust Cover	
5	1	12523080/0	Bricka	Washer	
6	1	12735698/0	Skruv	Screw	
7	1	12139100/0	Kil	Feather, Crankshaft Ø 22.2	





## COMBI 48 SQ BW

Pos. Fig.	Antal Quantity	Art No Part No	Benämning	Description	Anmärkning Notes
1	1	381008081/1	Lucka	Stone-Guard	
2	1	122450466/0	Fjäder	L Spring	
3	1	122517882/0	Stift	Pin	
4	1	122450465/0	Fjäder	R Spring	
6	1	22486101/0	Uppsamlare-överdel	Grass-Box, Upper	
7	1	22608525/0	Trådbygel	Stiffening Lower	
8	1	81002211/0	Uppsamlingsäck	Box, Fabric	
9	2	12728680/0	Skruv	Screw	
10	2	12523050/0	Bricka	Washer	



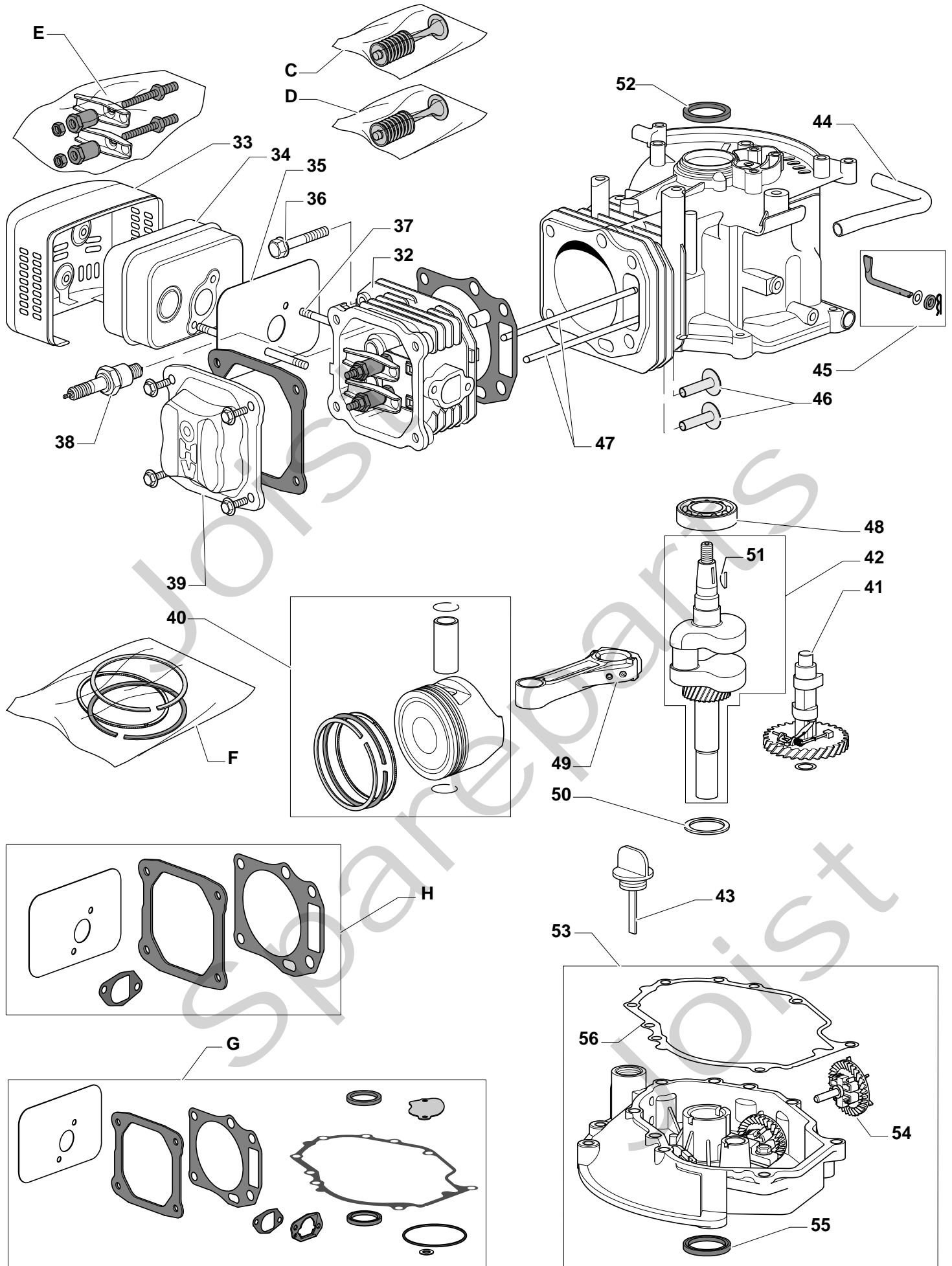




## COMBI 48 SQ BW

Pos. Fig.	Antal Quantity	Art No Part No	Benämning	Description	Anmärkning Notes
B	1	118550248/0	Packning	Gasket Carburettor Assy	
A	1	118550389/0	Kit Repair, Carburettor	Kit Repair, Carburettor	
1	1	118550276/0	Start kpl	Starter Assy	
A1	1	118550388/0	Kit Repair, Carburettor	Kit Repair, Carburettor	
2	1	118550336/0	Mutter	Nut	
3	1	118550335/0	Starter Cup	Starter Cup	
4	1	118550254/0	Fläkt	Flywheel Fan	
5	1	118550253/0	Svänghjul	Flywheel Ass.Y	
6	1	118550301/0	Skruv	Stud Bolt	
7	1	118550255/0	Elektron kspole	Electronic Coil	
9	1	118550274/0	Starthandtag	Starter Handle	
10	1	118550275/0	Starter Pawl Set	Starter Pawl Set	
11	1	118550258/1	Luftfilter	Air Cleaner Assy	
12	1	118550378/0	Packning	Gasket Assy	
13	1	118550376/0	Flywheel Brake/Stop Switch Assy	Flywheel Brake/Stop Switch Assy	
14	2	118550302/0	Skruv	Stud Bolt	
15	1	118550340/0	Bränsleslang-in	Fuel Pipe	
16	1	118550259/0	Remote Control Assy	Remote Control Assy	
17	2	118550298/0	Skruv	Stud Bolt	
18	1	118550339/0	Lock	Fuel Cap	
19	1	118550314/0	Bränslefilter	Fuel Filter	
20	1	118550316/0	Tank	Tank	
21A	1	118550396/0	Luftfilterlock	Air Cleaner Cover	
21	1	118550452/0	Luftfilter	Air Filter	
22	1	118550337/0	Casing Clamp	Casing Clamp	
23	1	118550338/0	Skruv	Screw	
24	1	118550397/0	Governor Link	Governor Link	
25	1	118550260/0	Fjäder	Spring	
26	1	118550266/0	Arm Governor Assy	Arm Governor Assy	
27	1	118550263/0	Fjäder	Spring	
28	1	118550264/0	Choke Control Rod	Choke Control Rod	
29	1	118550390/0	Förgasare	Carburettor	
30	1	118550315/0	Skruv	Stud Bolt	

## COMBI 48 SQ BW





## COMBI 48 SQ BW

Pos. Fig.	Antal Quantity	Art No Part No	Benämning	Description	Anmärkning Notes
E	1	118550273/0	Valve Arm Set	Valve Arm Set	
C	1	118550292/0	Intake Valve Assy	Intake Valve Assy	
D	1	118550294/0	Exhaust Valve Assy	Exhaust Valve Assy	
F	1	118550384/0	Piston, Ring Set	Piston, Ring Set	
G	1	118550403/0	Packning	Engine Gasket Set	
H	1	118550405/0	Cylinder Head Gasket Set	Cylinder Head Gasket Set	
32	1	118550244/0	Cylinder Head Assy	Cylinder Head Assy	
33	1	118550268/1	Ljuddämparskydd	Muffler Guard	
34	1	118550269/0	Ljuddämpare	Muffler	
35	1	118550270/0	Ljuddämparskydd	Gasket, Muffler	
36	4	118550297/0	Skruv	Screw	
37	2	118550298/0	Skruv	Stud Bolt	
38	1	9400-0244-00	Tändstift	Spark Plug	
39	1	118550296/1	Cover Comp., Head	Cover Comp., Head	
40	1	118550387/0	Kolv kpl	Piston Assy	
41	1	118550271/0	Camshaft Assy	Camshaft Assy	
42	1	118550385/0	Vevaxel	Crankshaft	
43	1	118550381/0	Oljevol	Tank Cap	
44	1	118550377/0	Oljeslang	Breather Fule Pipe	
45	1	118550308/0	Vevaxel	Shaft, Governor Arm Assy	
46	1	118550291/0	Valve Lifter Assy	Valve Lifter Assy	
47	1	118550289/0	Push Rods Assy	Push Rods Assy	
48	1	118550280/0	Kullager	Bearing	
49	1	118550284/0	Connecting Rod Assy	Connecting Rod Assy	
50	1	118550283/0	Bricka	Washer	
51	1	118550288/0	Kil	Flywheel Key	
52	1	118550300/0	Tätningring	Oil Seal	
53	1	118550382/0	Vevhus	Crankcase Cover Assy	
54	1	118550312/0	Speed Governor Assy	Speed Governor Assy	
55	1	118550379/0	Tätningring	Oil Seal	
56	1	118550380/0	Packning	Crankcase Gasket	