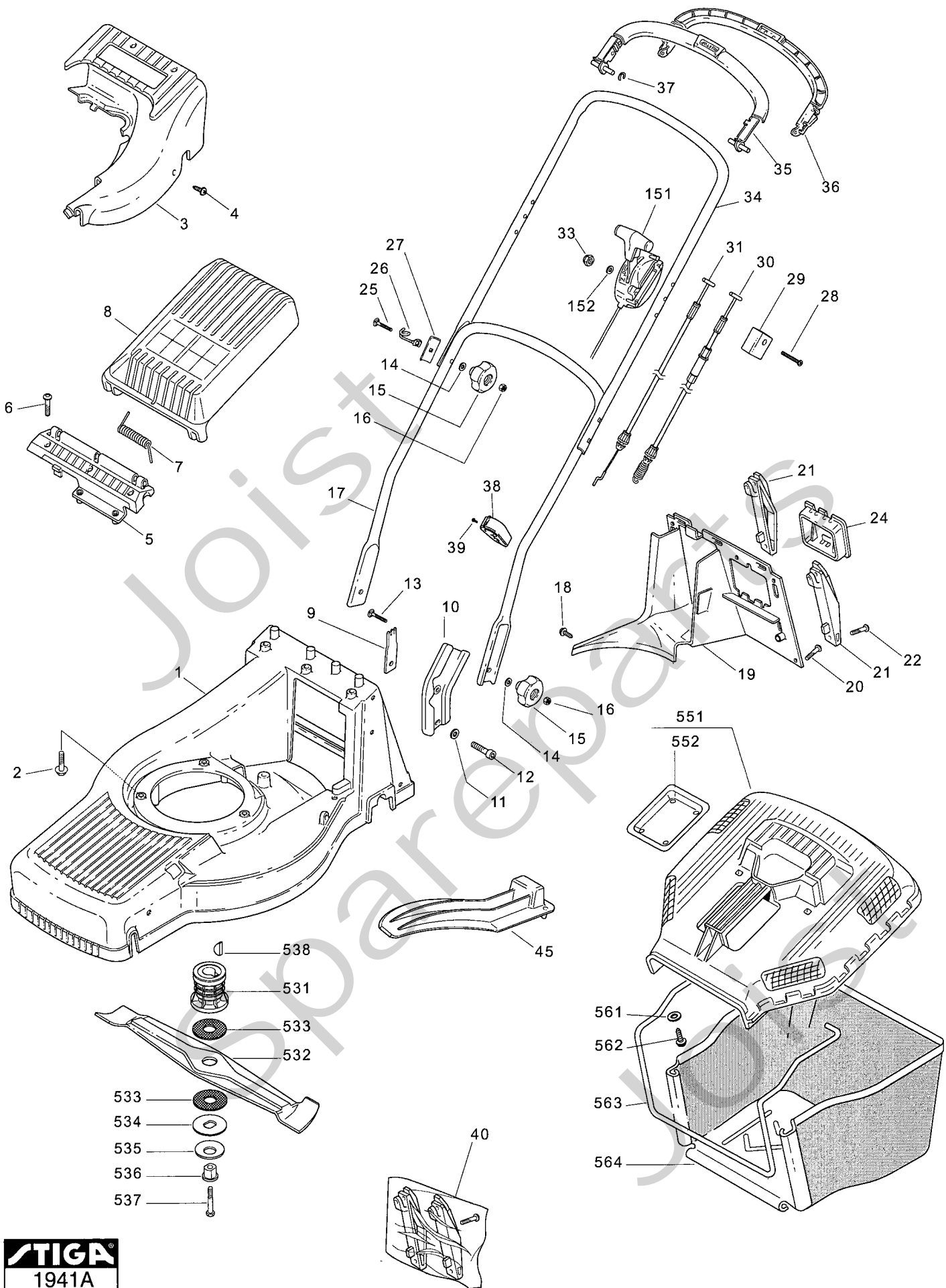


# Genuine Spare Parts

---

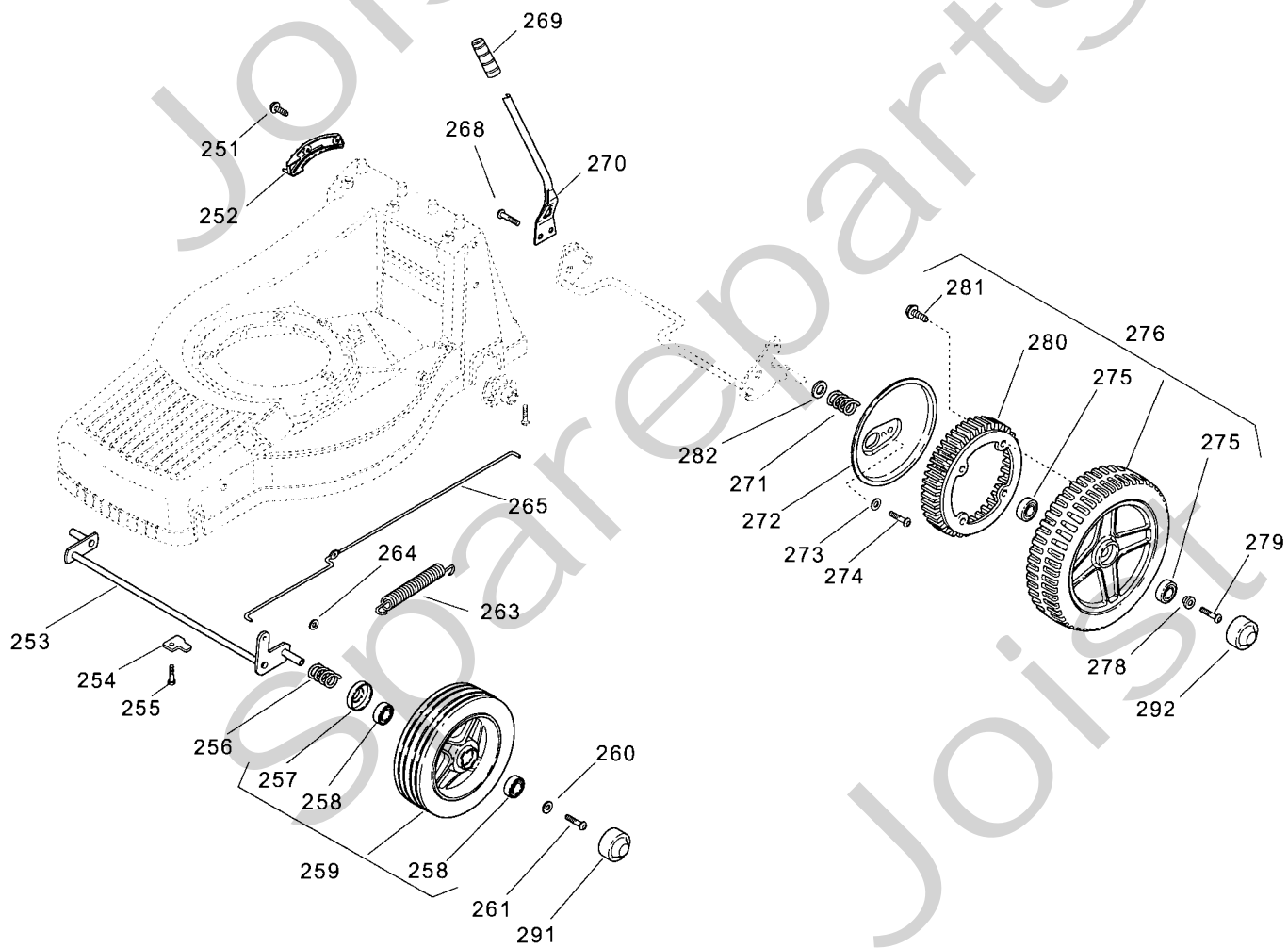
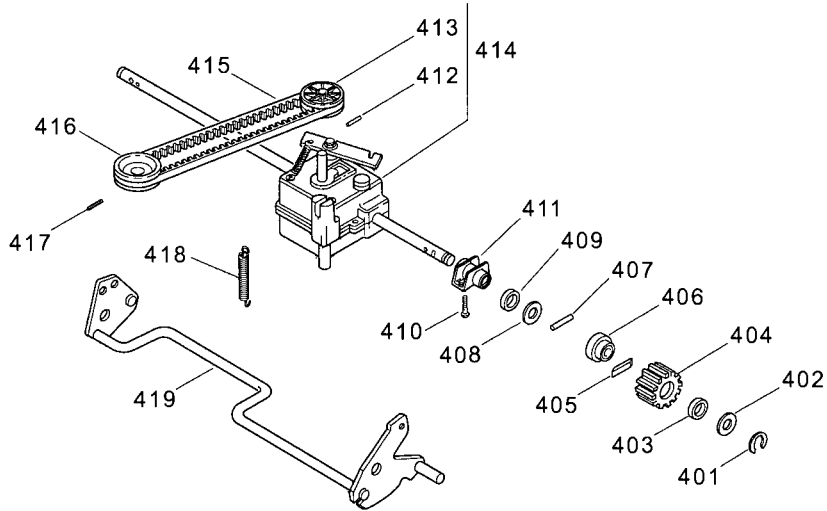


Joist  
Spareparts  
Joist



Utgåva Issue 2006-12		Bildnr Picture No 1941A		TURBO PRO 50S COMBI CHASSI STYRE		TURBO PRO 50S COMBI CHASSIS HANDLE		Sida Page 168	
Pos. Fig.	Antal/Quantity			Art nr Part No	Benämning	Description	Sats Kit	Anmärkning Notes	
	5203 -23	5204 -43							
1	1			1111-3090-01	Chassi-gul.....	Chassis- yellow .....			
1		1		1111-3090-15	Chassi-grå.....	Chassis- grey .....			
2	3	3		9955-3732-12	Skruv.....	Screw.....			
3	1	1		1111-2794-01	Täckkåpa-gul.....	Cover- yellow .....			
4	3	3		9838-9522-12	Skruv.....	Screw.....			
5	1	1		1111-2793-01	Luckinfästning-gul.....	Flap attachm.- yellow .....			
6	3	3		9947-0616-16	Skruv.....	Screw.....			
7	1	1		1111-2792-01	Fjäder.....	Spring.....			
8	1	1		1111-3283-01	Lucka-gul.....	Flap- yellow .....			
9	1	1		1111-3024-01	Fästplatta.....	Attachment plate.....			
10	2	2		1111-3021-01	Styrinfästning.....	Handlebar attachment.....			
11	2	2		9699-0028-02	Planbricka.....	Flat washer.....			
12	2	2		9939-0820-16	Skruv.....	Screw.....			
13	2	2		9899-3557-12	Skruv.....	Screw.....			
14	4	4		9699-0028-02	Planbricka.....	Flat washer.....			
15	4	4		1111-3023-01	Låsratt.....	Locking knob.....			
16	4	4		9795-3531-02	Mutter.....	Nut.....			
17	1			1111-3428-01	Styre- underdel (sv).....	Handle- lower (black) .....			
17		1		1111-3428-02	Styre- underdel (gul).....	Handle- lower (yellow) .....			
18	1	1		9838-9522-12	Skruv.....	Screw.....			
19	1	1		1111-3335-01	Bakstam.....	Rear attachment.....			
20	3	3		9947-0616-16	Skruv.....	Screw.....			
21	1	1		1136-2044-01	Hållare, vä+hö.....	Attachment, LH+RH.....			
22	4	4		9836-9520-12	Skruv.....	Screw.....			
24	1	1		1111-2927-01	Batterihållare.....	Battery holder.....			
25	2	2		9899-3557-12	Skruv.....	Screw.....			
26	1	1		1111-3062-01	Ögla.....	Eyelink.....			
27	2	2		1111-0178-00	Förstärkning.....	Reinforcement.....			
28	1	1		9948-0670-16	Skruv.....	Screw.....			
29	1	1		1111-2969-01	Wirefäste.....	Cable attachment.....			
30	1	1		1111-3388-01	Kopplingswire.....	Clutch cable.....			
31	1	1		1111-3622-01	Motorbromswire.....	Engine brake cable.....			
33	1	1		9747-0631-02	Låsmutter.....	Lock nut.....			
34	1			1111-3461-01	Styre- överdel (svart).....	Handle- upper (black).....			
34		1		1111-3461-02	Styre- överdel (gul).....	Handle- upper (yellow).....			
35	1	1		1111-3617-01	Manöverbygel.....	Control handle.....			
36	1	1		1111-2954-01	Manöverbygel.....	Control handle.....			
37	2	2		9652-0006-04	Spårryttare.....	Circlip.....			
38	1	1		1111-2018-01	Kabelhållare.....	Cable holder.....			
39	1	1		9836-9216-12	Skruv.....	Screw.....			
40	1	1		1111-3569-01	Tillbehörspåse.....	Accessory bag.....			
45	1	1		1111-3333-01	Mulcherplugg.....	Mulch plug.....			
151	1	1		1111-3351-01	Gasreglage.....	Throttle control.....			
152	1	1		9699-0060-02	Planbricka.....	Flat washer.....			
531	1	1		1111-9127-01	Knivfäste.....	Blade holder.....			
532	1	1		1111-9129-01	Kniv.....	Blade.....			
533	2	2		1111-3512-01	Friktionsbricka.....	Friction washer.....			
534	1	1		1111-3481-01	Bricka.....	Washer.....			
535	1	1		1111-3482-01	Tallriksfjäder.....	Disc washer.....			
536	1	1		1111-3483-01	Bussning.....	Bushing.....			
537	1	1		9987-5264-12	Skruv.....	Screw.....			
538	1	1		9600-0014-00	Kil.....	Key.....			
551	1	1		1111-2840-01	Uppsammlarlock- gul.....	Top collector- yellow .....			
552	1	1		1111-2764-01	• Täckbricka.....	• Cover.....			
561	2	2		9699-0100-02	Bricka.....	Washer.....			
562	2	2		9838-9522-12	Skruv.....	Screw.....			
563	1	1		1111-2843-01	Trådbygel.....	Wire clamp.....			
564	1	1		1111-2844-01	Uppsamlingssäck- svart.....	Collecting bag- black.....			

X



Utgåva Issue		Bildnr Picture No		TURBO PRO 50S COMBI TRANSMISSION HJULUPPHÄNGNING		TURBO PRO 50S COMBI TRANSMISSION WHEEL SUSPENSION		Sida Page	
2006- 12		1937						170	
Pos. Fig.	Antal/Quantity			Art nr Part No	Benämning	Description	Sats Kit	Anmärkning Notes	
	5203 -23	5204 -43							
251	2			9838-9522-12	Skruv .....	Screw .....			
252	1			1111-2798-01	Höjdinst. segment .....	Height adj. quadrant .....			
253	1			1111-3491-01	Framaxel .....	Front axle .....			
254	2			1111-1504-01	Överfall .....	Retainer .....			
255	2			9947-0616-16	Skruv .....	Screw .....			
256	2			1111-1138-01	Fjäder .....	Spring .....			
257	1			1111-0466-00	• Kullagertätning .....	• Seal grease .....			
258	2			9549-0015-00	• Kullager .....	• Ball bearing .....			
259	2			1111-1508-01	Hjul m.lager .....	Wheel w.bearings .....		Inkl. pos 257 - 258	
260	2			9699-0100-02	Bricka .....	Washer .....			
261	2			9943-0612-16	Skruv .....	Screw .....			
263	1			1111-2819-01	Fjäder .....	Spring .....			
264	2			9675-0011-00	Starlock .....	Starlock .....			
265	1			1111-2818-01	Dragstång .....	Height adj.rod .....			
268	2			9943-0610-16	Skruv .....	Screw .....			
269	1			1111-2817-01	Handtag .....	Lever knob .....			
270	1			1111-2816-01	Spak .....	Height adj.lever .....			
271	2			1111-3060-01	Fjäder .....	Spring .....			
272	2			1111-3229-01	Täckplåt .....	Cover plate .....			
273	2			9699-0060-02	Planbricka .....	Flat washer .....			
274	2			9943-0610-16	Skruv .....	Screw .....			
275	2			9549-0001-00	• Kullager .....	• Ball bearing .....			
276	2			1111-2262-01	Hjul kpl .....	Wheel assy .....		Inkl. pos 275,280,281	
278	2			1111-3555-01	Distans .....	Spacer .....			
279	2			1136-1314-01	Skruv .....	Screw .....			
280	1			1111-2109-01	• Kuggkrans .....	• Gear ring .....			
281	4			9841-0410-16	• Skruv .....	• Screw .....			
282	2			1111-3627-01	Distans .....	Spacer .....			
291	2			1111-1506-01	Navkapsel .....	Hub cap .....			
292	2			1111-2077-01	Navkapsel .....	Hub cap .....			
401	2			9652-0010-04	Låsring .....	Snap ring .....			
402	2			9695-0013-00	Bricka .....	Washer .....			
403	2			1111-2830-01	Stödbricka .....	Support washer .....			
404	2			1111-3230-01	Kugghjul- alum. hjul .....	Pinion- alum. wheel .....			
405	2			1111-3256-01	Drivkil .....	Drive key .....			
406	2			1111-2829-01	Låsbricka .....	Lock washer .....			
407	2			1111-2382-01	Cyl.pinne .....	Pin .....			
408	2			9695-0013-00	Bricka .....	Washer .....			
409	2			9404-0083-00	Tätningring .....	Seal ring .....			
410	4			9947-0616-16	Skruv .....	Screw .....			
411	2			1111-2814-01	Bussning .....	Bushing .....			
412	1			9595-0235-00	• Spännstift .....	• Locating pin .....			
413	1			1111-3440-01	• Remskiva .....	• Belt pulley .....			
414	1			1111-3401-02	Transmission kpl .....	Transmission assy .....		Inkl. pos 412 - 413	
415	1			1111-9061-01	Drivrem .....	V-belt .....			
416	1			1111-2915-01	Motorremskiva .....	Engine belt pulley .....			
417	1			9910-0612-16	Stoppskruv .....	Set screw .....			
418	1			1111-2822-01	Dragfjäder .....	Tension spring .....			
419	1			1111-2808-01	Bakaxel .....	Rear axle .....			