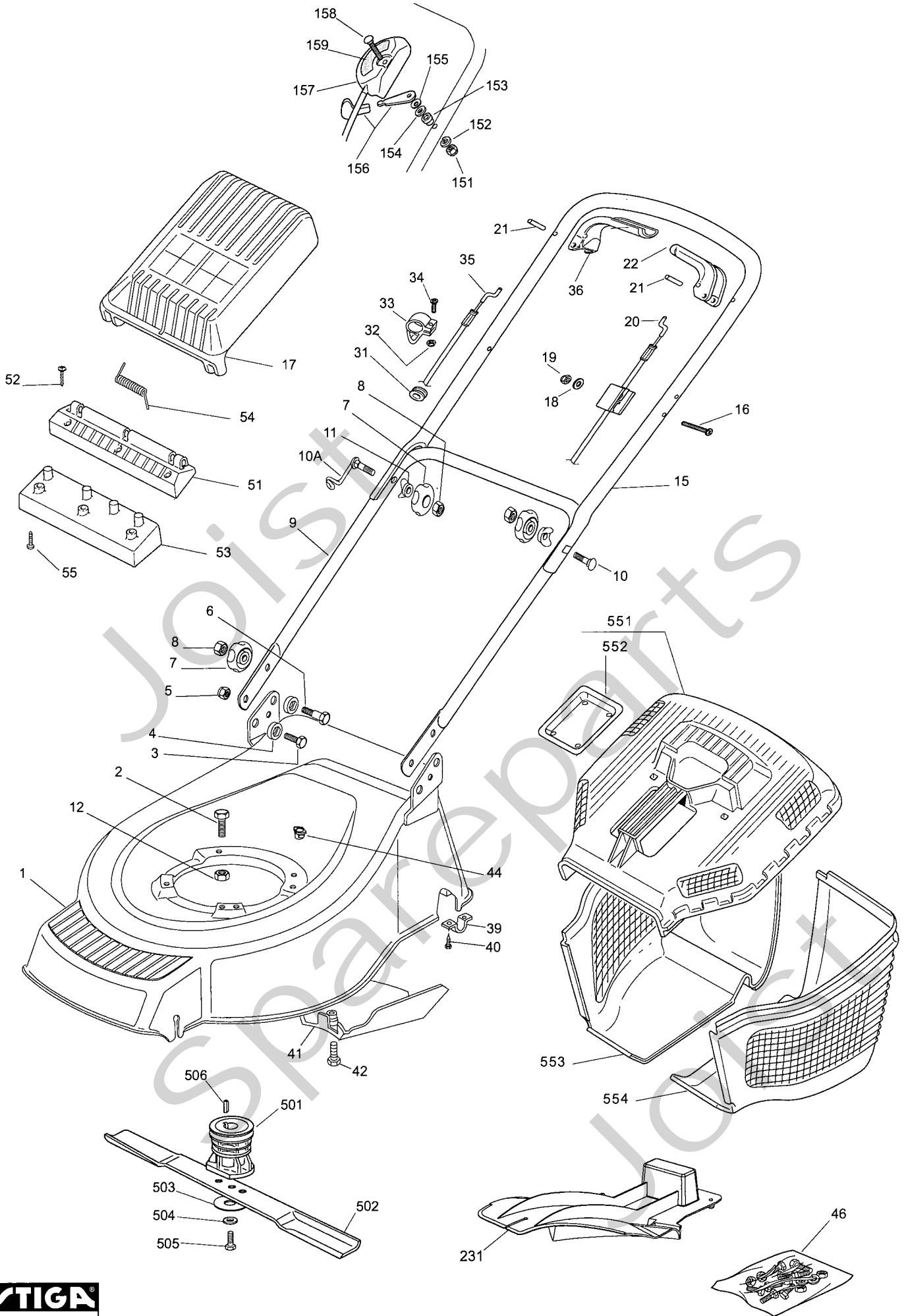


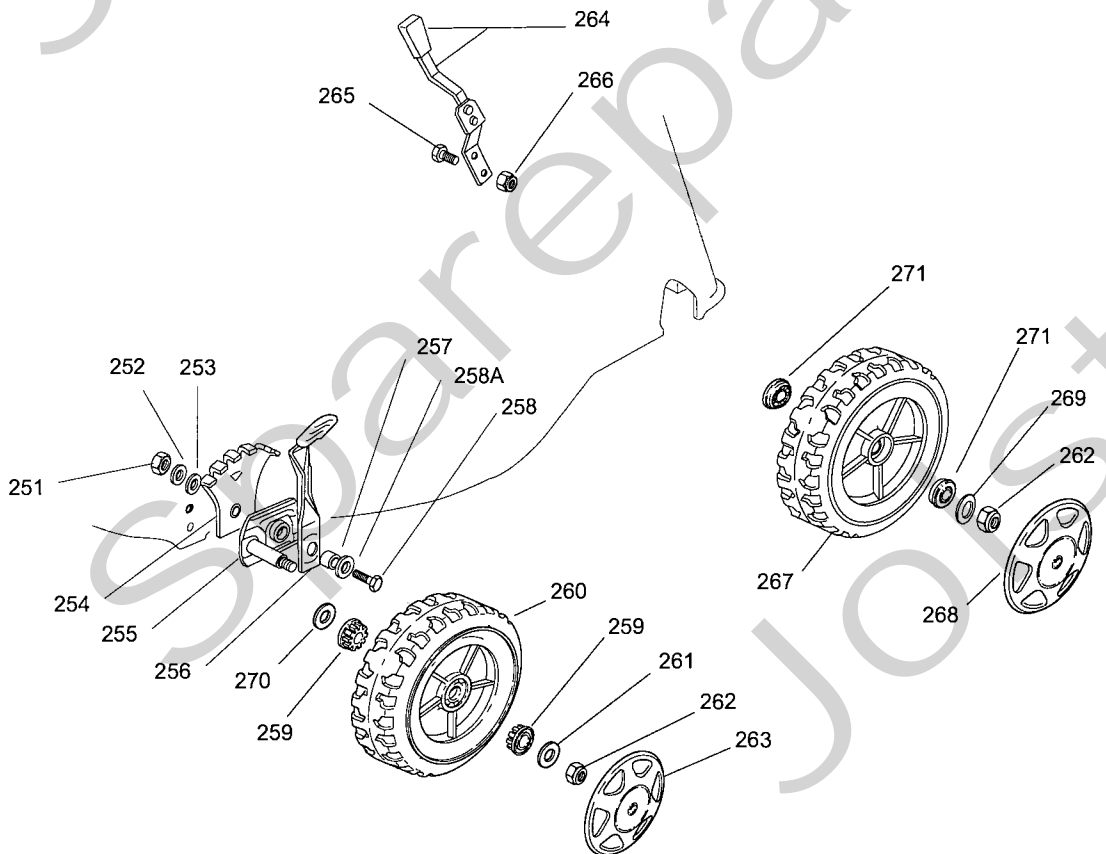
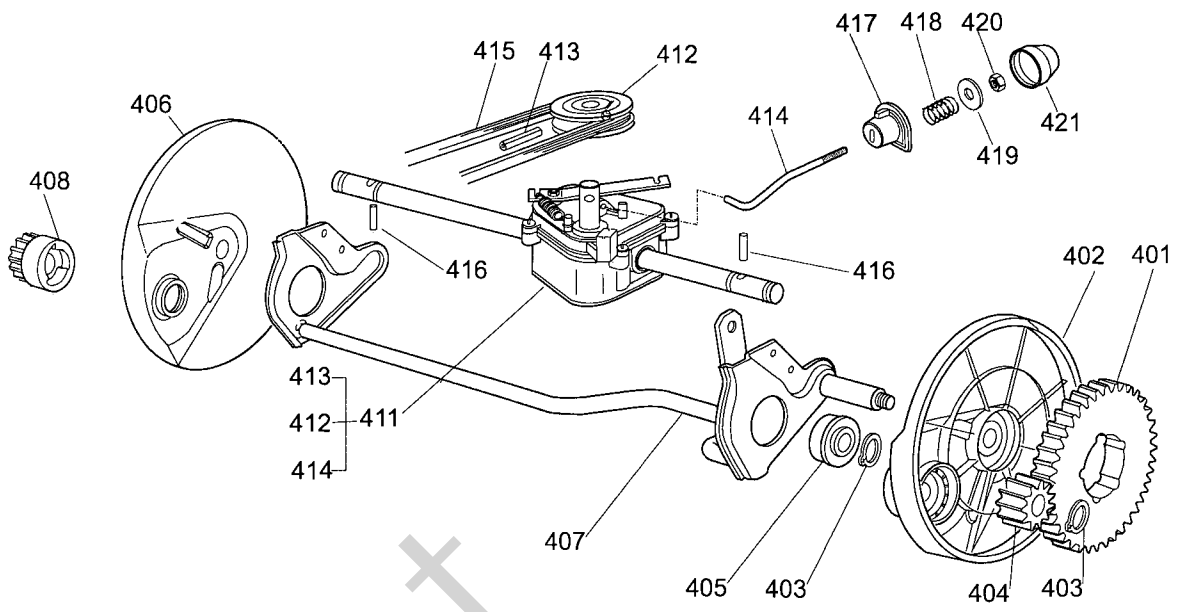
Genuine Spare Parts



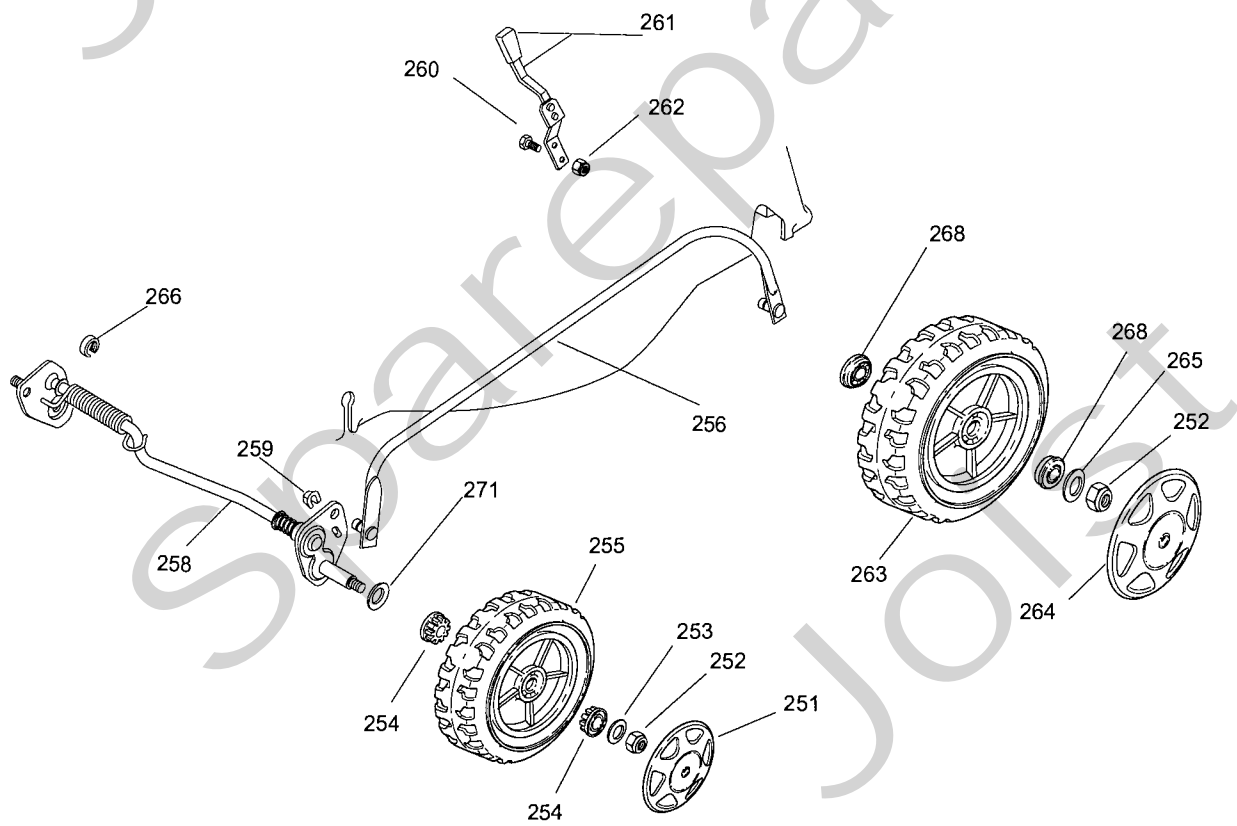
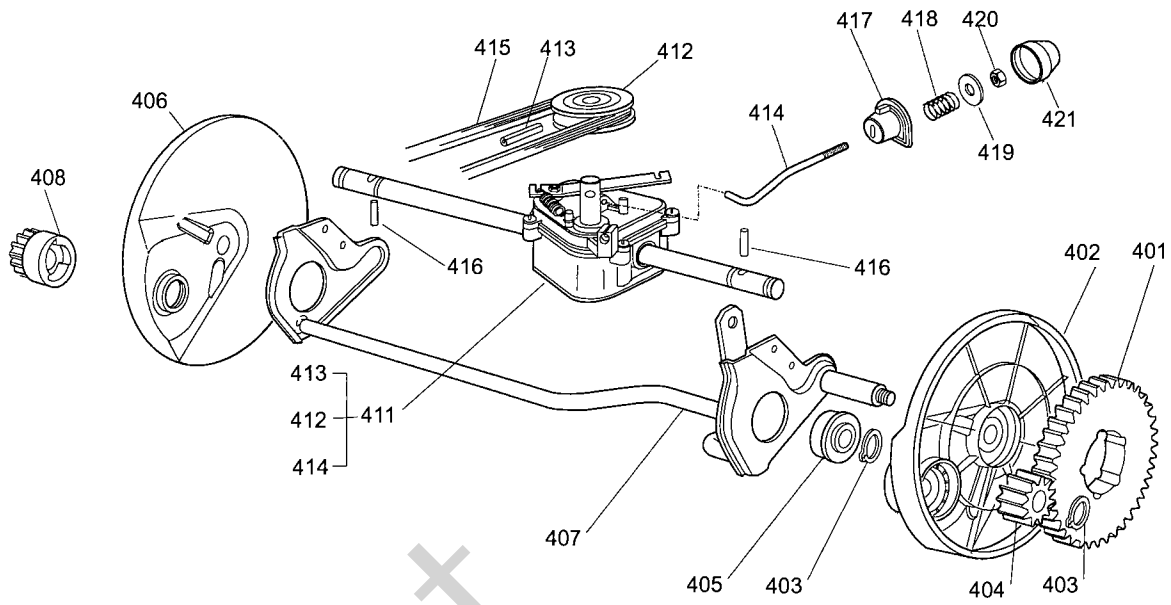
Joist
Spareparts
Joist



Utgåva Issue		Bildnr Picture No		COLLECTOR 53S CHASSI STYRE		COLLECTOR 53S CHASSIS HANDLE		Sida Page
2006-12		2123						132
Pos. Fig.	Antal/Quantity		Art nr Part No	Benämning	Description	Sats Kit	Anmärkning Notes	
	5234 -25	5286 -25						
X 1		1	1136-0730-01	Chassi-gul.....	Chassis- yellow			
1	1		1136-2427-01	Chassi-gul.....	Chassis- yellow			
2	3/2	3/2	9997-0830-16	Skruv.....	Screw.....		L = 30 mm	
2	0/1	0/1	9997-0860-16	Skruv.....	Screw.....		L = 60 mm	
3	2	2	9997-0816-16	Skruv.....	Screw.....			
4	4	4	1111-3554-01	Bussning.....	Bushing.....			
5	2	2	9747-0831-02	Mutter.....	Lock nut.....			
6	2	2	1136-0617-01	Skruv.....	Screw.....			
7	4	4	1117-3194-01	Låsrott.....	Locking knob.....			
8	4	4	9799-0831-02	Mutter.....	Nut.....			
9	1	1	1136-1193-01	Styre- underdel.....	Handle- lower.....			
10	1	1	1136-0620-01	Skruv.....	Screw.....			
10A	1	1	1136-0747-01	Skruv m. ögla.....	Screw w. loop.....			
11	2	2	1136-0693-01	Bricka.....	Washer.....			
12	3/2	3/2	9739-0831-22	Mutter.....	Nut.....			
12	0/1	0/1	9747-0831-02	Mutter.....	Lock nut.....			
15	1	1	1136-1629-01	Styre- överdel.....	Handle- upper.....			
16	1	1	9997-0635-12	Skruv.....	Screw.....			
17	1	1	1111-3283-01	Lucka- gul.....	Flap- yellow.....			
18	1	1	9699-0035-02	Planbricka.....	Flat washer.....			
19	1	1	9799-0631-02	Mutter.....	Nut.....			
X 20		1	1136-2426-01	Motorbromswire.....	Engine brake cable.....			
X 20	1		1136-2428-01	Motorbromswire.....	Engine brake cable.....			
21	2	2	9595-0258-00	Spännstift.....	Locating pin.....			
22	1	1	1117-3221-01	Manöverbygel.....	OPC lever.....			
31	1	1	1136-1399-01	Kabelhylsa.....	Cable protector.....			
32	1	1	9799-0631-02	Mutter.....	Nut.....			
33	1	1	1117-1114-01	Wirehållare.....	Support.....			
34	1	1	9865-0616-16	Skruv.....	Screw.....			
35	1	1	1136-1404-01	Kopplingswire.....	Clutch cable.....			
36	1	1	1117-3222-01	Manöverbygel.....	Control lever.....			
39	2	2	1136-0682-01	Bygel.....	Plate.....			
40	4	4	9847-8119-16	Skruv.....	Screw.....			
41	1	1	1136-1188-01	Remskydd.....	Belt guard.....			
42	1	1	1136-0615-01	Skruv.....	Screw.....			
44	1	1	1136-0665-01	Gummihylsa.....	Rubber insert.....			
46	1	1	1136-0803-01	Skruvsats.....	Screw set.....			
51	1	1	1136-0703-01	Luckhållare- gul.....	Fulcrum- yellow.....			
52	3	3	9836-9525-12	Skruv.....	Screw.....			
53	1	1	1136-1899-01	Fäste.....	Holder.....			
54	1	1	1111-2792-01	Fjäder.....	Spring.....			
55	3	3	1136-1458-01	Skruv.....	Screw.....			
151	1	1	1136-0604-01	Mutter.....	Nut.....			
152	1	1	1136-0611-01	Låsbricka.....	Grower.....			
153	1	1	1136-0659-01	Distans.....	Spacer.....			
154	1	1	9699-0035-02	Planbricka.....	Flat washer.....			
155	1	1	1136-0606-01	Fjäderbricka.....	Spring washer.....			
156	1	1	1136-0766-01	Gasreglagearm.....	Throttle lever.....			
157	1	1	1136-0764-01	Gasreglagekabel.....	Throttle cable.....			
158	1	1	1136-0618-01	Skruv.....	Screw.....			
159	1		1136-1857-01	Dekal.....	Label.....			
159		1	1136-1884-01	Dekal.....	Label.....			
231		1	1136-0656-01	Mulcherplugg.....	Deflector.....			
501	1	1	1111-9120-01	Knivfäste m.remskiva.....	Hub w. pulley.....			
502	1	1	1111-9122-01	Kniv.....	Blade.....			
503	1	1	1136-0083-01	Fjäderbricka.....	Elastic washer.....			
504	1	1	1136-0015-01	Bricka.....	Washer.....			
505	1	1	9987-5251-12	Skruv.....	Screw.....			
506	1	1	9600-0014-00	Kil.....	Key.....			
551	1	1	1111-2840-01	Uppsamlarlock- gul.....	Top collector- yellow.....			
552	1	1	1111-2764-01	• Täckbricka.....	• Cover.....			
553	1	1	1111-2842-10	Uppsaml. under- hö.....	Collector lower- R.....			
554	1	1	1111-2841-10	Uppsaml. under- vä.....	Collector lower- L.....			



Utgåva Issue		Bildnr Picture No		COLLECTOR 53S TRANSMISSION HJULUPPHÄNGNING	COLLECTOR 53S TRANSMISSION WHEEL SUSPENSION	Sida Page		
2006-12		2125				134		
Pos. Fig.	Antal/Quantity			Art nr Part No	Benämning	Description	Sats Kit	Anmärkning Notes
	5234 -25							
251	2			9799-0831-02	Mutter.....	Nut.....		
252	2			9683-0030-02	Låsbricka.....	Lock washer.....		
253	2			1136-0014-01	Bricka.....	Washer.....		
254	2			1136-0696-01	Höjdinställn.sektor.....	Wheel adjust sector.....		
255	2			1136-0754-01	Hjulstöd.....	Wheel support.....		
256	2			1136-0744-01	Höjdinställningsspak.....	Height adjust lever.....		
257	2			1136-0084-01	Distans.....	Spacer.....		
258	2			9997-0830-16	Skruv.....	Screw.....		
258A	2			9699-0028-02	Planbricka.....	Flat washer.....		
259	4			1136-0634-01	Bussning.....	Bush.....		
260	2			1136-1520-01	Hjul.....	Wheel.....		
261	2			9699-0028-02	Planbricka.....	Flat washer.....		
262	4			9747-0831-02	Mutter.....	Lock nut.....		
263	2			1136-1894-01	Navkapsel-gul.....	Hub cap-yellow.....		
264	1			1136-0742-01	Höjdinställningsspak.....	Height adjust lever.....		
265	2			9997-0512-16	Skruv.....	Screw.....		
266	2			9747-0531-02	Mutter.....	Nut.....		
267	2			1136-0772-01	Hjul.....	Wheel.....		
268	2			1136-0646-01	Navkapsel-gul.....	Hub cap-yellow.....		
269	2			1136-0006-01	Fjäderbricka.....	Elastic washer.....		
270	2			1136-0609-01	Fjäderbricka.....	Elastic washer.....		
271	4			1136-0655-01	Kullager.....	Ball bearing.....		
401	2			1136-0653-01	Kuggkrans.....	Ring gear.....		
402	1			1136-0690-01	Hjulskydd.....	Wheel protection.....		
403	4			9650-0012-04	Seegersäkkring.....	Circlip.....		
404	1			1136-0685-01	Drev- vä.....	Pinion- LH.....		
405	2			1136-0632-01	Lager.....	Bearing.....		
406	1			1136-0689-01	Hjulskydd.....	Wheel protection.....		
407	1			1136-0713-01	Bakaxel.....	Rear wheel axle.....		
408	1			1136-0684-01	Drev- hö.....	Pinion- RH.....		
411	1			1136-1456-01	Transmission kpl (sv).....	Gearbox assy (black).....		
412	1			1136-0692-01	Remskiva.....	Pulley.....		
413	1			1136-0612-01	Stift.....	Pin.....		
414	1			1136-1454-01	Justerstång.....	Adjustment rod.....		
415	1			1111-9124-01	Drivrem.....	Belt.....		
416	2			1136-0697-01	Stift.....	Pin.....		
417	1			1136-0638-01	Bussning.....	Bush.....		
418	1			1136-0668-01	Fjäder.....	Spring.....		
419	1			1136-0091-01	Bricka.....	Washer.....		
420	1			9747-0631-02	Låsmutter.....	Lock nut.....		
421	1			1136-0081-01	Navkapsel.....	Hub cap.....		



Utgåva Issue		Bildnr Picture No		COLLECTOR 53S TRANSMISSION HJULUPPHÄNGNING	COLLECTOR 53S TRANSMISSION WHEEL SUSPENSION	Sida Page		
2006- 12		2124				136		
Pos. Fig.	Antal/Quantity			Art nr Part No	Benämning	Description	Sats Kit	Anmärkning Notes
	5286 -25							
251	2			1136-1894-01	Navkapsel- gul	Hub cap- yellow.....		
252	4			9747-0831-02	Mutter	Lock nut		
253	2			9699-0028-02	Planbricka	Flat washer		
254	4			1136-0634-01	Bussning	Bush		
255	2			1136-1520-01	Hjul	Wheel		
256	1			1136-0756-01	Höjdinställningsstång	Height adjust rod		
258	1			1136-0712-01	Framaxel	Front wheel axle		
259	2			1136-0009-01	Låsplatta	Lock plate		
260	2			9997-0512-16	Skruv	Screw		
261	1			1136-0742-01	Höjdinställningsspak	Height adjust lever		
262	2			9747-0531-02	Mutter	Nut		
263	2			1136-0772-01	Hjul	Wheel		
264	2			1136-0646-01	Navkapsel- gul	Hub cap- yellow.....		
265	2			1136-0006-01	Fjäderbricka	Elastic washer		
266	1			1136-0658-01	Distans	Spacer		
268	4			1136-0655-01	Kullager	Ball bearing		
271	2			1136-0657-01	Distans	Spacer		
401	2			1136-0653-01	Kuggkrans	Ring gear		
402	1			1136-0690-01	Hjulskydd	Wheel protection		
403	4			9650-0012-04	Seegersäkring	Circlip		
404	1			1136-0685-01	Drev- vä	Pinion- LH		
405	2			1136-0632-01	Lager	Bearing		
406	1			1136-0689-01	Hjulskydd	Wheel protection		
407	1			1136-0713-01	Bakaxel	Rear wheel axle		
408	1			1136-0684-01	Drev- hö	Pinion- RH		
411	1			1136-1456-01	Transmission kpl (sv)	Gearbox assy (black)		
412	1			1136-0692-01	Remskiva	Pulley		
413	1			1136-0612-01	Stift	Pin		
414	1			1136-1454-01	Justerstång	Adjustment rod		
415	1			1111-9124-01	Drivrem	Belt		
416	2			1136-0697-01	Stift	Pin		
417	1			1136-0638-01	Bussning	Bush		
418	1			1136-0668-01	Fjäder	Spring		
419	1			1136-0091-01	Bricka	Washer		
420	1			9747-0631-02	Låsmutter	Lock nut		
421	1			1136-0081-01	Navkapsel	Hub cap		