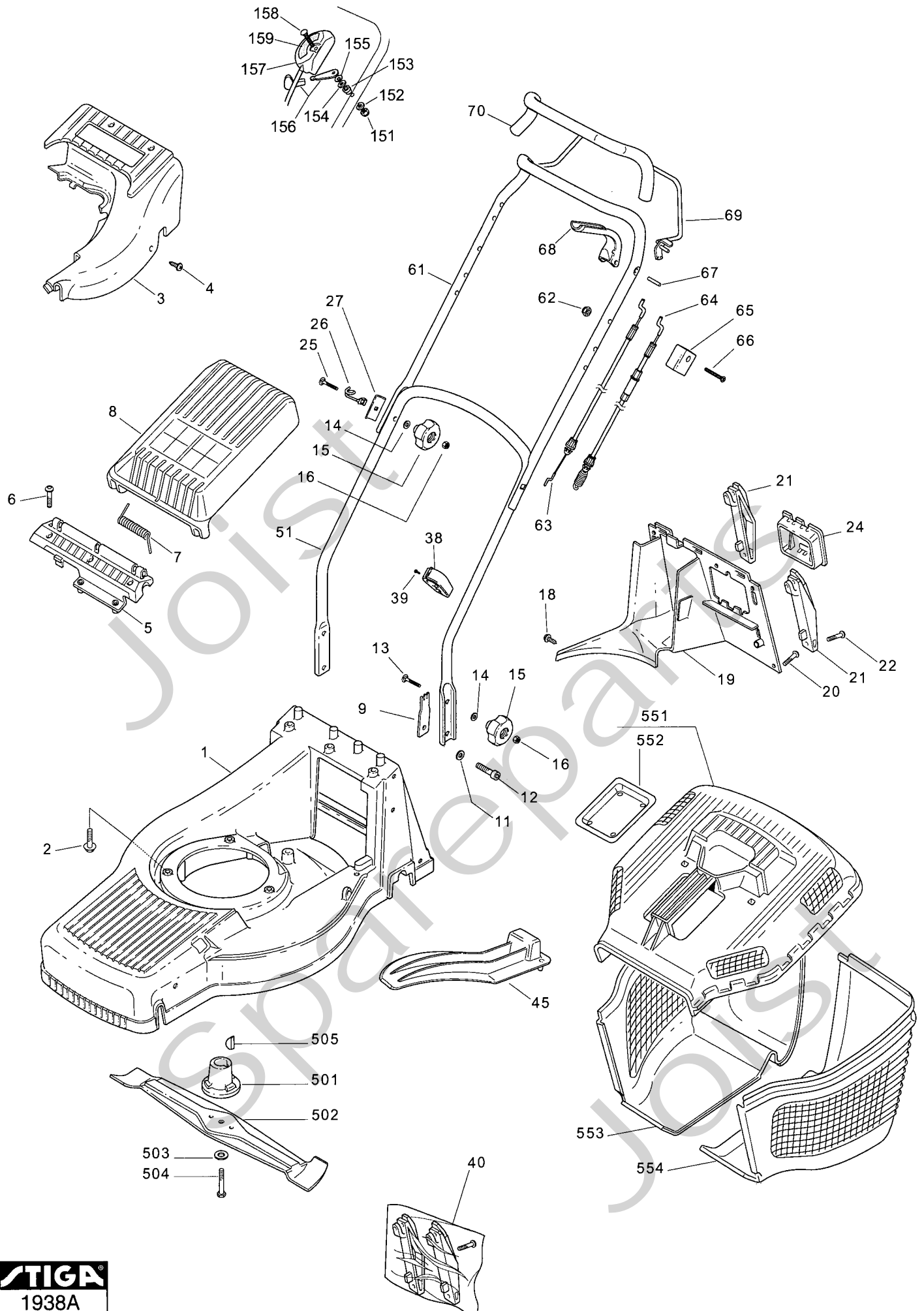


# Genuine Spare Parts

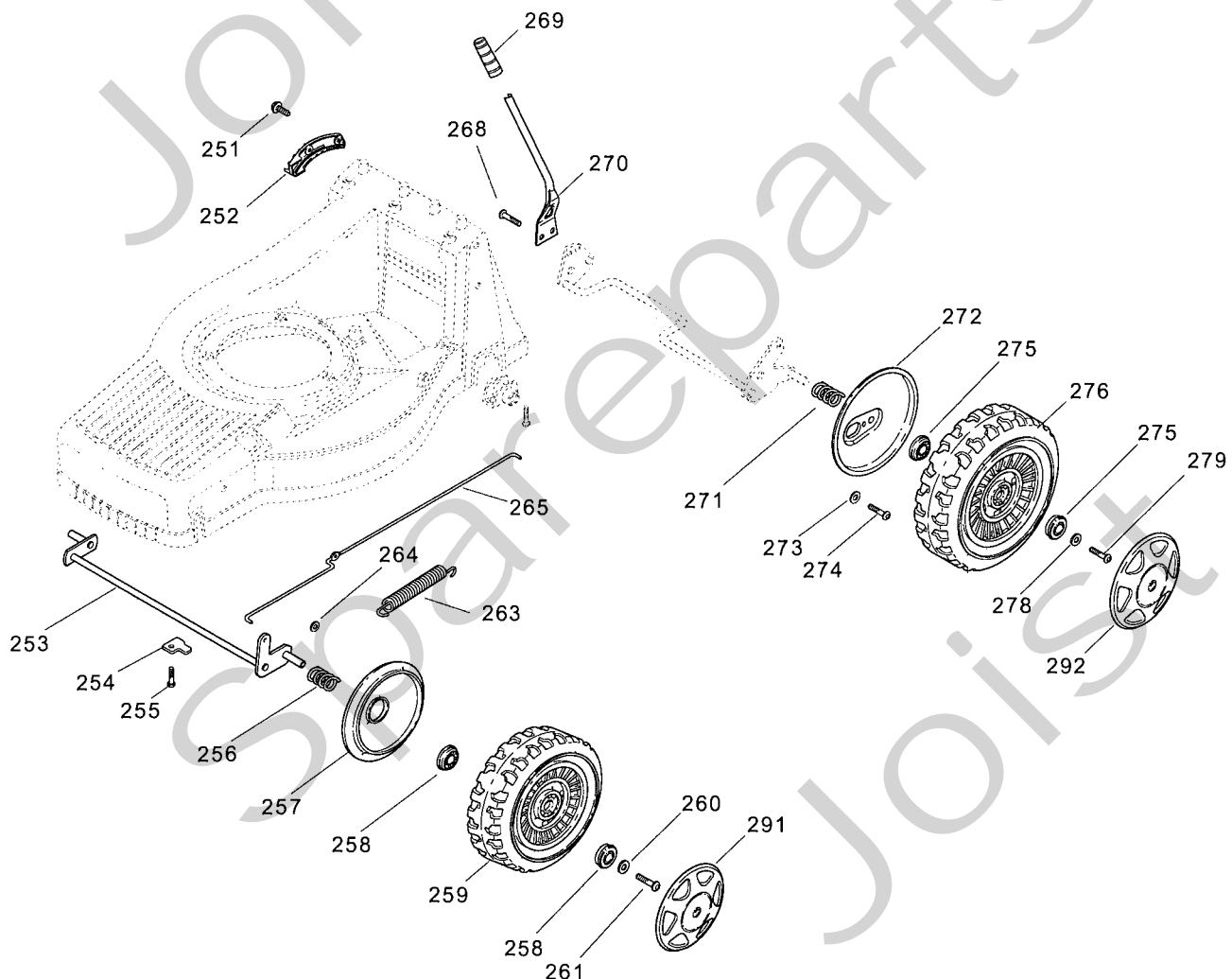
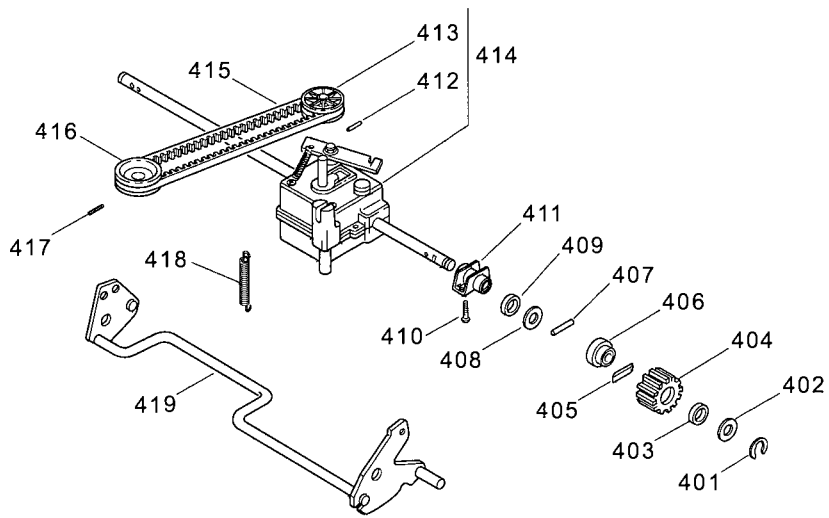
---



Spareparts  
Joist



Utgåva Issue 2006- 12		Bildnr Picture No 1938A		COLLECTOR 50S COMBI 50S CHASSI STYRE		COLLECTOR 50S COMBI 50S CHASSIS HANDLE		Sida Page 158
Pos. Fig.	Antal/Quantity			Art nr Part No	Benämning	Description	Sats Kit	Anmärkning Notes
	5234 -33	5281 -33						
1	1	1		1111-3090-01	Chassi- gul.....	Chassis- yellow .....		
2	3	3		9955-3732-12	Skruv .....	Screw .....		
3	1	1		1111-2794-01	Täckåpa- gul.....	Cover- yellow .....		
4	3	3		9838-9522-12	Skruv .....	Screw .....		
5	1	1		1111-2793-01	Luckinfästning- gul.....	Flap attachm.- yellow .....		
6	3	3		9947-0616-16	Skruv .....	Screw .....		
7	1	1		1111-2792-01	Fjäder.....	Spring .....		
8	1	1		1111-3283-01	Lucka- gul.....	Flap- yellow .....		
9	1	1		1111-3024-01	Fästplatta.....	Attachment plate .....		
11	2	2		9699-0028-02	Planbricka.....	Flat washer .....		
12	2	2		9939-0820-16	Skruv .....	Screw .....		
13	2	2		9899-3557-12	Skruv .....	Screw .....		
14	4	4		9699-0028-02	Planbricka.....	Flat washer .....		
15	4	4		1111-3023-01	Lås ratt .....	Locking knob .....		
16	4	4		9795-3531-02	Mutter .....	Nut .....		
18	1	1		9838-9522-12	Skruv .....	Screw .....		
19	1	1		1111-3335-01	Bakstam.....	Rear attachment.....		
20	3	3		9947-0616-16	Skruv .....	Screw .....		
X 21	1	1		1136-2044-01	Hållare, vä+hö.....	Attachment, LH+RH .....		
22	4	4		9836-9520-12	Skruv .....	Screw .....		
24	1	1		1111-2927-01	Batterihållare .....	Battery holder .....		
25	2	2		9899-3557-12	Skruv .....	Screw .....		
26	1	1		1111-3062-01	Ögla .....	Eyelink .....		
27	2	2		1111-0178-00	Förstärkning .....	Reinforcement.....		
38	1	1		1111-2018-01	Kabelhållare .....	Cable holder .....		
39	1	1		9836-9216-12	Skruv .....	Screw .....		
40	1	1		1111-3569-01	Tillbehörspåse .....	Accessory bag.....		
45	1	1		1111-3333-01	Mulcherplugg .....	Mulch plug .....		
51	1	1		1111-3248-01	Styre- underdel .....	Handlebar- lower part.....		
61	1	1		1117-1095-01	Styre- överdel .....	Handle- upper part .....		
62	1	1		9747-0631-02	Låsmutter .....	Lock nut .....		
63	1	1		1111-3250-03	Motorbromswire.....	Engine brake cable .....		
X 63	1	1		1136-2439-01	Motorbromswire.....	Engine brake cable .....		
64	1	1		1111-3387-01	Kopplingswire.....	Clutch cable .....		
65	1	1		1111-2969-01	Wirefäste .....	Cable attachment .....		
66	1	1		9948-0640-16	Skruv .....	Screw .....		
67	1	1		9595-0258-00	Spännstift .....	Locating pin .....		
68	1	1		1117-3221-01	Manöverbygel.....	OPC lever .....		
69	1	1		1117-1374-01	Manöverbygel.....	Control handle.....		
70		1		1117-3036-01	Skumgrepp.....	Foam grip.....		
151	1			1136-0604-01	Mutter .....	Nut .....		
152	1			1136-0611-01	Låsbricka .....	Grower .....		
153	1			1136-0659-01	Distans .....	Spacer.....		
154	1			9699-0035-02	Planbricka.....	Flat washer .....		
155	1			1136-0606-01	Fjäderbricka .....	Spring washer.....		
156	1			1136-0766-01	Gasreglagearm .....	Throttle lever .....		
157	1			1136-0764-01	Gasreglagekabel .....	Throttle cable .....		
158	1			1136-0618-01	Skruv .....	Screw .....		
159	1			1136-1857-01	Dekal .....	Label .....		
501	1	1		1111-9070-01	Knivfäste.....	Blade holder .....		
502	1	1		1111-9090-01	Kniv .....	Blade .....		
503	1	1		9696-0011-01	Bricka .....	Washer.....		
504	1	1		9987-5251-12	Skruv .....	Screw .....		
505	1	1		9600-0014-00	Kil .....	Key .....		
551	1	1		1111-2840-01	Uppsamlarlock- gul.....	Top collector- yellow .....		
552	1	1		1111-2764-01	• Täckbricka .....	• Cover.....		
553	1	1		1111-2842-10	Uppsaml. under- hö .....	Collector lower- R .....		
554	1	1		1111-2841-10	Uppsaml. under- vä .....	Collector lower- L.....		



Utgåva Issue		Bildnr Picture No		COLLECTOR 50S COMBI 50S TRANSMISSION HJULUPPHÄNGNING		COLLECTOR 50S COMBI 50S TRANSMISSION WHEEL SUSPENSION		Sida Page
2006- 12		1932						160
Pos. Fig.	Antal/Quantity			Art nr Part No	Benämning	Description	Sats Kit	Anmärkning Notes
	5234 -33	5281 -33						
X 251	2	2		9838-9522-12	Skruv .....	Screw .....		
252	1	1		1111-2798-01	Höjdinst. segment .....	Height adj. quadrant .....		
253	1	1		1136-2440-01	Framaxel .....	Front axle .....		
254	2	2		1111-1504-01	Överfall .....	Retainer .....		
255	2	2		9947-0616-16	Skruv .....	Screw .....		
256	2	2		1111-1138-01	Fjäder .....	Spring .....		
257	2			1111-2785-01	Täckbricka .....	Wheel cover .....		
257		2		9699-0037-02	Bricka .....	Washer .....		
258	4	4		1136-0655-01	Kullager .....	Ball bearing .....		
259	2	2		1136-1520-01	Hjul .....	Wheel .....		
260	2	2		9699-0100-02	Bricka .....	Washer .....		
261	2	2		9943-0612-16	Skruv .....	Screw .....		
263	1	1		1111-2819-01	Fjäder .....	Spring .....		
264	2	2		9675-0011-00	Starlock .....	Starlock .....		
265	1	1		1111-2818-01	Dragstång .....	Height adj. rod .....		
268	2	2		9943-0610-16	Skruv .....	Screw .....		
269	1	1		1111-2817-01	Handtag .....	Lever knob .....		
270	1	1		1111-2816-01	Spak .....	Height adj. lever .....		
271	2	2		1111-3060-01	Fjäder .....	Spring .....		
272	2	2		1111-3395-01	Täckplåt .....	Cover plate .....		
273	2	2		9699-0060-02	Planbricka .....	Flat washer .....		
274	2	2		9943-0610-16	Skruv .....	Screw .....		
275	2	2		1111-3296-01	• Kullager .....	• Ball bearing .....		
276	2	2		1111-2665-01	Hjul kpl .....	Wheel assy .....		Inkl. pos 275
278	2	2		9699-0100-02	Bricka .....	Washer .....		
279	2	2		9943-0612-16	Skruv .....	Screw .....		
291	2	2		1136-1894-01	Navkapsel- gul .....	Hub cap- yellow .....		
292	2	2		1111-3085-01	Navkapsel- gul .....	Hub cap- yellow .....		
401	2	2		9652-0010-04	Låsring .....	Snap ring .....		
402	2	2		9695-0013-00	Bricka .....	Washer .....		
403	2	2		1111-2830-01	Stödbricka .....	Support washer .....		
404	2	2		1111-3075-01	Kuggjul- plasthjul .....	Pinion- plastic wheel .....		
405	2	2		1111-3256-01	Drivkil .....	Drive key .....		
406	2	2		1111-2829-01	Låsbricka .....	Lock washer .....		
407	2	2		1111-2382-01	Cyl. pinne .....	Pin .....		
408	2	2		9695-0013-00	Bricka .....	Washer .....		
409	2	2		9404-0083-00	Tätningring .....	Seal ring .....		
410	4	4		9947-0616-16	Skruv .....	Screw .....		
411	2	2		1111-2814-01	Bussning .....	Bushing .....		
412	1	1		9595-0235-00	• Spännstift .....	• Locating pin .....		
413	1	1		1111-3440-01	• Remskiva .....	• Belt pulley .....		
414	1	1		1111-3401-02	Transmission kpl .....	Transmission assy .....		Inkl. pos 412 - 413
415	1	1		1111-9061-01	Drivrem .....	V- belt .....		
416	1	1		1111-2915-01	Motorremskiva .....	Engine belt pulley .....		
417	1	1		9910-0612-16	Stoppskruv .....	Set screw .....		
418	1	1		1111-2822-01	Dragfjäder .....	Tension spring .....		
419	1	1		1111-2808-01	Bakaxel .....	Rear axle .....		