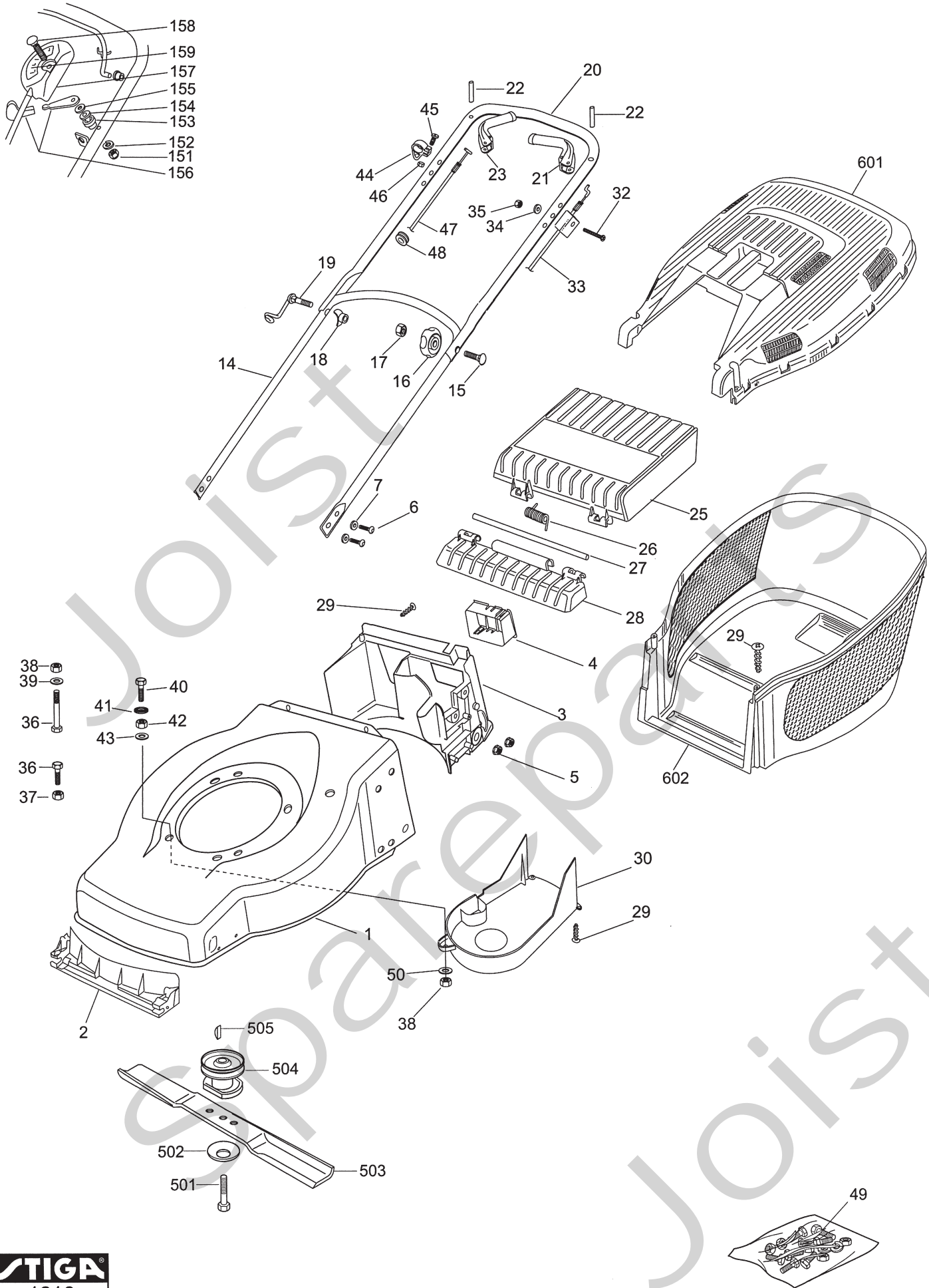


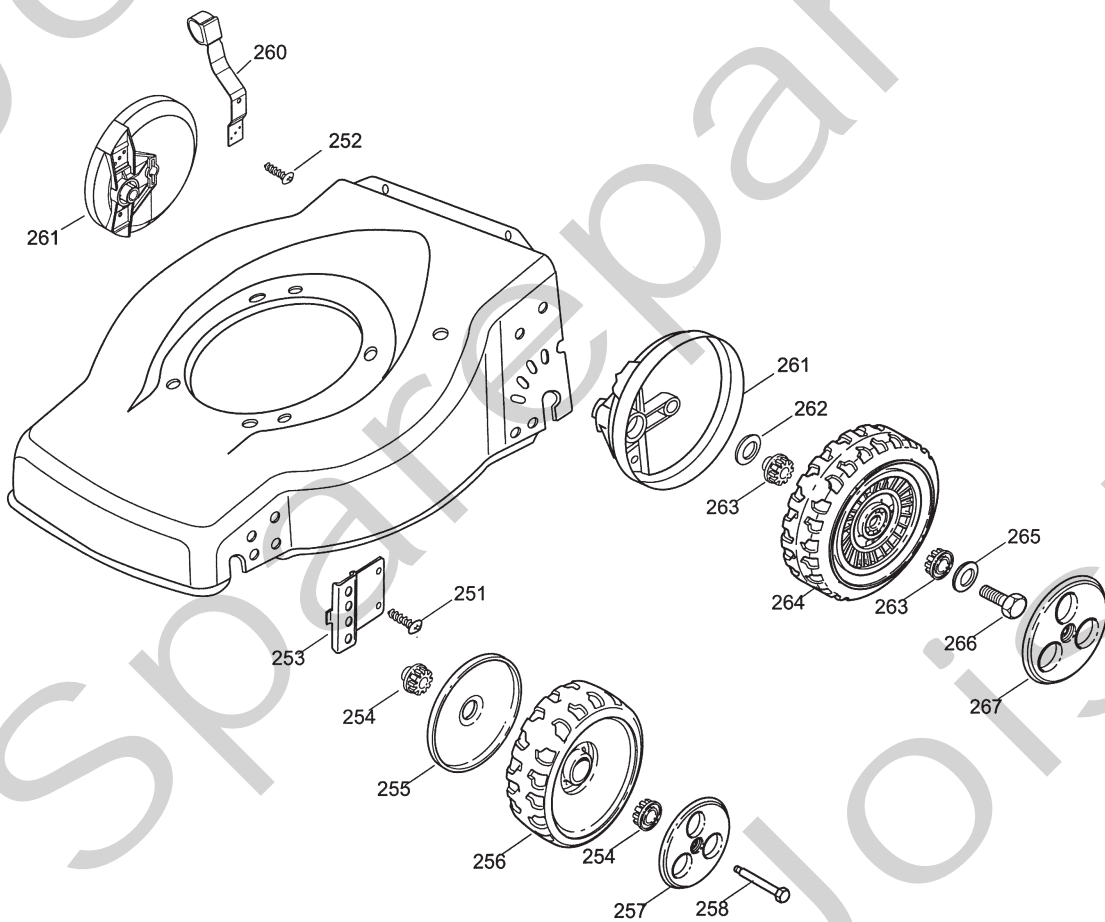
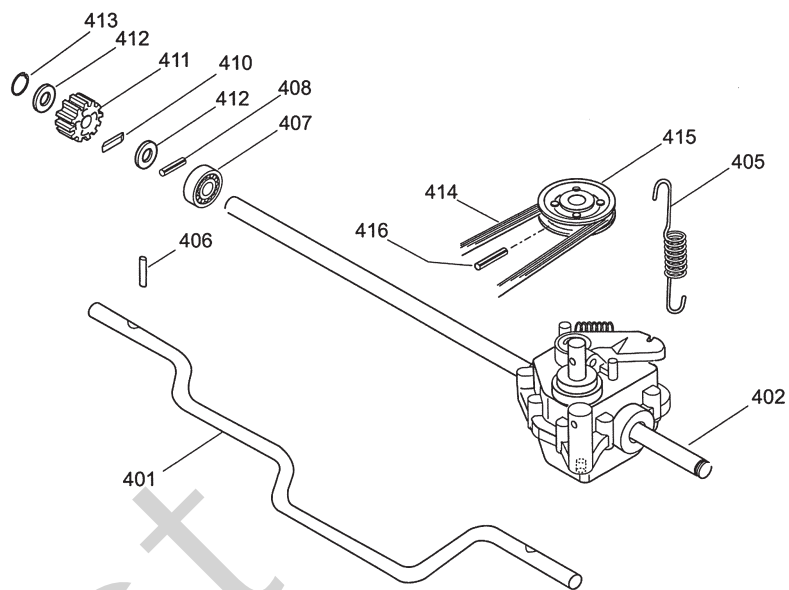
Genuine Spare Parts



Joist
Spareparts
Joist



Utgåva Issue 2005-12		Bildnr Picture No 1916		EURO 45S MOUNTFIELD 45S CHASSI STYRE		EURO 45S MOUNTFIELD 45S CHASSIS HANDLE		Sida Page 94
Pos. Fig.	Antal/Quantity			Art nr Part No	Benämning	Description	Sats Kit	Anmärkning Notes
	3534 -61	3534 -71						
X 1	1			1117-3263-01	Kåpa- gul	Deck- yellow		
1		1		1136-1885-01	Kåpa- röd	Deck- red		
2	1	1		1117-3007-01	Ledplåt- främre	Baffle- front		
3	1	1		1117-3008-01	Ledplåt- bakre	Baffle- rear		
4	1	1		1111-2927-01	Batterihållare	Battery holder		
5	4	4		1117-1131-01	Flänsmutter	Nut		
6	4	4		1117-1364-01	Skruv	Screw		
7	4	4		9699-0028-02	Planbricka	Flat washer		
14	1	1		1136-1411-01	Styre- underdel	Handlebar- lower part		
15	1	1		1136-0620-01	Skruv	Screw		
16	2	2		1117-3194-01	Lås ratt	Locking knob		
17	2	2		9799-0831-02	Mutter	Nut		
18	2	2		1136-0693-01	Bricka	Washer		
19	1	1		1136-0747-01	Skruv m. ögla	Screw w. loop		
20	1	1		1136-1413-01	Styre- överdel	Handlebar- upper part		
21	1	1		1117-3221-01	Manöverbygel	OPC lever		
22	2	2		9595-0258-00	Spännstift	Locating pin		
23	1	1		1117-3222-01	Manöverbygel	Control lever		
25	1			1117-1156-01	Lucka- gul	Rear flap- yellow		
25		1		1117-1156-02	Lucka- svart	Rear flap- black		
26	1	1		1117-1126-01	Fjäder	Spring- rear flap		
27	1	1		1117-1143-01	Axel	Shaft		
28	1			1117-1155-01	Luckinfästning- gul	Flap holder- yellow		
28		1		1117-1155-02	Luckinfästning- svart	Flap holder- black		
29	6	6		9836-9516-12	Skruv	Screw		
30	1	1		1117-1147-01	Transmissionskåpa	Transmission cap		
32	1	1		9997-0635-12	Skruv	Screw		
X 33	1	1		1136-1883-01	Motorbromswire	Engine brake cable		
34	1	1		9699-0025-02	Planbricka	Washer		
35	1	1		9799-0631-02	Mutter	Nut		
36	2	2		9997-0830-16	Skruv	Screw		
37	1	1		9739-0831-22	Mutter	Nut		
38	2	2		9747-0831-02	Mutter	Lock nut		
39	1	1		9699-0028-02	Planbricka	Flat washer		
X 40	1	1		1136-1886-01	Skruv	Screw		
41	1	1		9678-0009-02	Låsbricka	Lock washer		
42	1	1		9799-0831-02	Mutter	Nut		
43	1	1		9699-0062-02	Planbricka	Flat washer		
44	1	1		1117-1114-01	Wirehållare	Support		
45	1	1		9865-0616-16	Skruv	Screw		
46	1	1		9799-0631-02	Mutter	Nut		
47	1	1		1136-1404-01	Kopplingswire	Clutch cable		
48	1	1		1136-0629-01	Kabelgenomföring	Fair lead		
49	1	1		1136-1415-01	Mont.sats	Assy kit		
50	1	1		1136-0309-01	Bricka	Washer		
151	1	1		1136-0604-01	Mutter	Nut		
152	1	1		1136-0611-01	Låsbricka	Grower		
153	1	1		1136-0659-01	Distans	Spacer		
154	1	1		9699-0035-02	Planbricka	Flat washer		
155	1	1		1136-0606-01	Fjäderbricka	Spring washer		
156	1	1		1136-0766-01	Gasreglagearm	Throttle lever		
157	1	1		1136-0764-01	Gaswire	Throttle cable		
158	1	1		1136-0618-01	Skruv	Screw		
X 159	1	1		1136-1857-01	Dekal	Label		
501	1	1		9987-5251-12	Skruv	Screw		
502	1	1		1117-1065-01	Tallriksbricka	Spring washer		
503	1	1		1111-9116-01	Kniv	Blade		
504	1	1		1111-9074-01	Knivfäste	Blade holder		
505	1	1		9600-0014-00	Kil	Key		
601	1			1117-1157-01	Uppsamlarlock- gul	Grassbag cover- yellow		
601		1		1117-1157-02	Uppsamlarlock- svart	Grassbag cover- black		
602	1	1		1117-1218-01	Uppsamlare- underdel	Lower grass bag		



Utgåva Issue 2005-12		Bildnr Picture No 1917		EURO 45S MOUNTFIELD 45S TRANSMISSION HJULUPPHÄNGNING		EURO 45S MOUNTFIELD 45S TRANSMISSION WHEEL SUSPENSION		Sida Page 96	
Pos. Fig.	Antal/Quantity			Art nr Part No	Benämning	Description	Sats Kit	Anmärkning Notes	
	3534 -61	3534 -71							
251	4	4		9836-9516-12	Skruv	Screw			
252	2	2		9836-9512-12	Skruv	Screw			
253	2	2		1117-3009-01	Hjulplåt	Wheel plate			
254	4	4		1117-3012-01	Hjulfussning	Wheel bush			
255	2	2		1117-1161-01	Hjulsköld	Wheel protection			
256	2	2		1111-3163-01	Hjul	Wheel			
257	2			1111-2804-01	Navkapsel- gul	Hub cap- yellow			
257		2		1117-3224-02	Navkapsel- vit	Hub cap- white			
258	2	2		1117-3223-01	Ansatsbult	Shoulder bolt			
260	1	1		1117-1174-01	Höjdställningsspak	Height adjust lever			
261	2	2		1117-3256-01	Hjulsköld	Wheel protection cap			
262	2	2		9699-0037-02	Bricka	Washer			
263	4	4		1111-1273-01	Bussning	Bushing			
264	2	2		1111-2663-01	Hjul	Wheel			
265	2	2		9699-0085-02	Planbricka	Flat washer			
266	2	2		1136-1397-01	Skruv	Screw			
267	2			1111-2815-01	Navkapsel- gul	Hub cap- yellow			
267		2		1111-2815-03	Navkapsel- vit	Hub cap- white			
401	1	1		1117-1160-01	Bakaxel	Shaft- backside			
402	1	1		1136-1408-01	Transmission kpl	Transmission assy			
405	1	1		1117-1120-01	Fjäder	Spring			
406	2	2		9595-0212-00	Spännstift	Locating pin			
407	2	2		9549-0053-00	Kullager	Ball bearing			
408	2	2		9591-0011-00	Stift	Pin			
410	2	2		1111-3256-01	Drivkil	Drive key			
411	2	2		1111-3075-01	Kuggjul- plasthjul	Pinion- plastic wheel			
412	4	4		1111-2830-01	Stödbricka	Support washer			
413	2	2		1117-1083-01	Låsring	Safety ring			
414	1	1		1111-9114-01	Drivrem	Drive belt			
415	1	1		1117-3018-01	Remskiva	Pulley			
416	1	1		1136-0612-01	Stift	Pin			