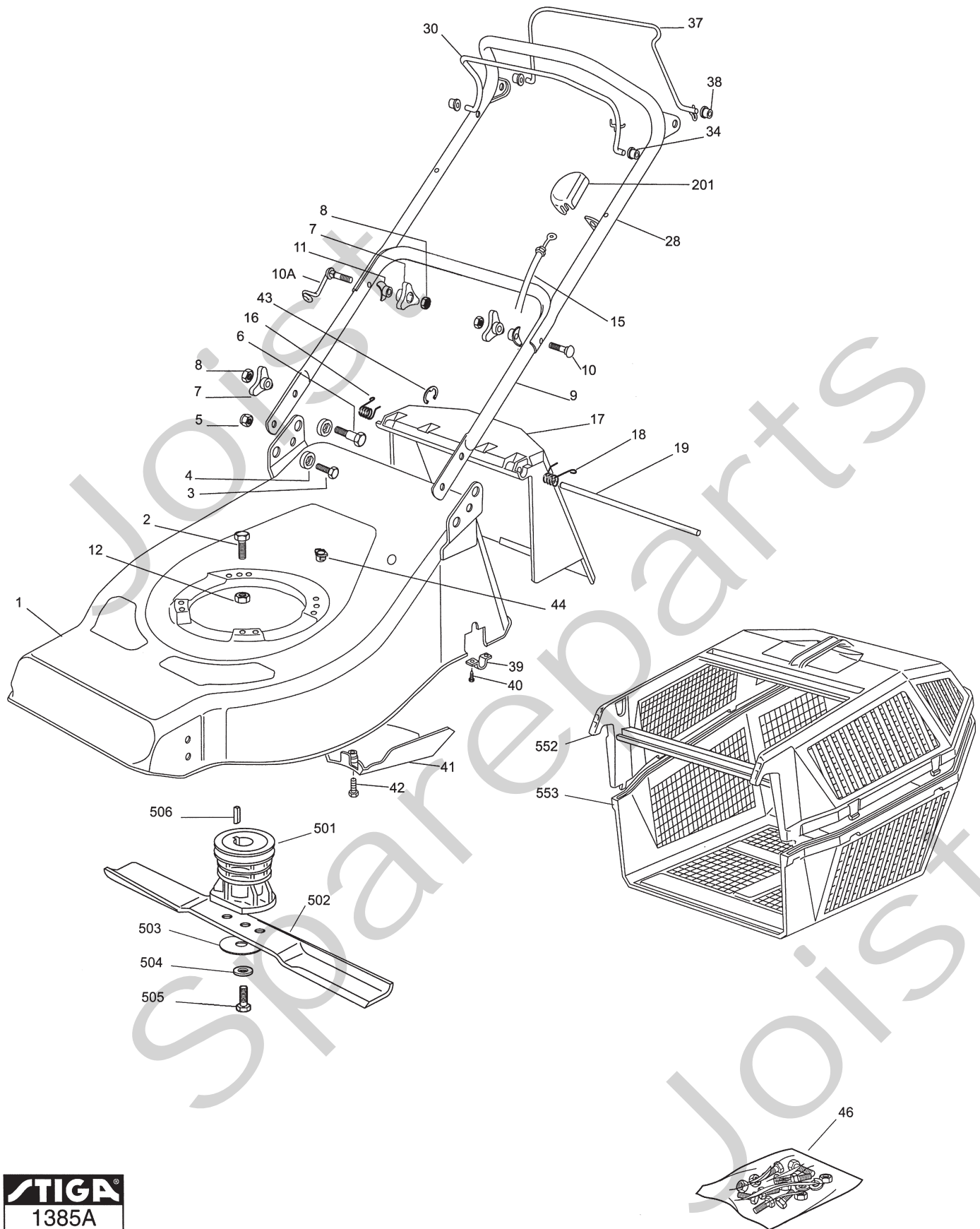


# Genuine Spare Parts

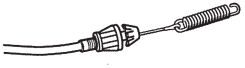

---

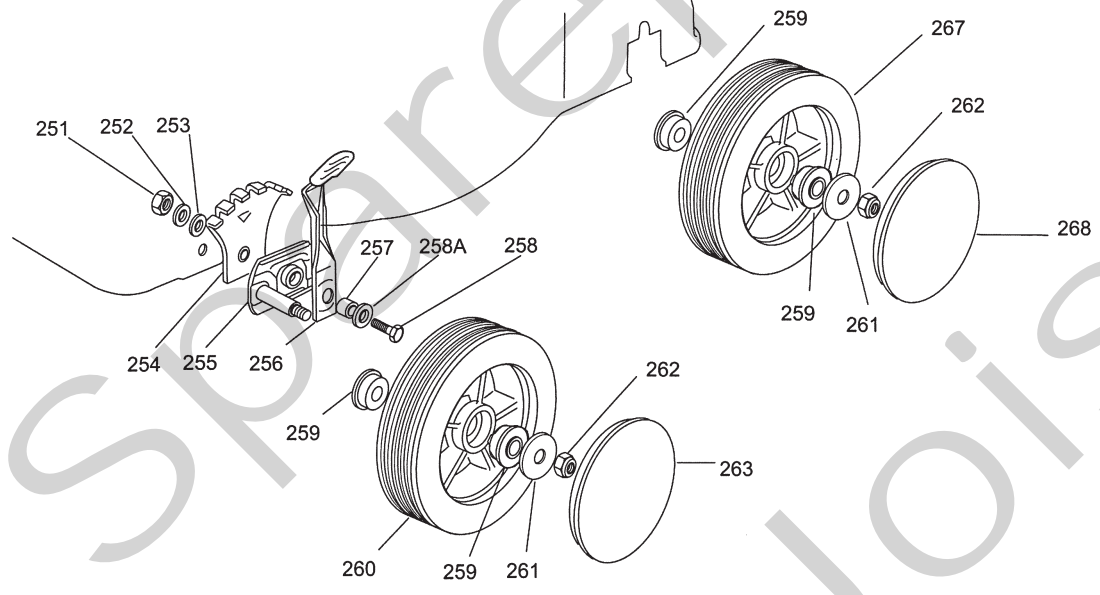
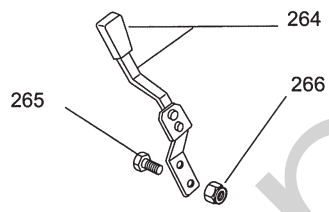
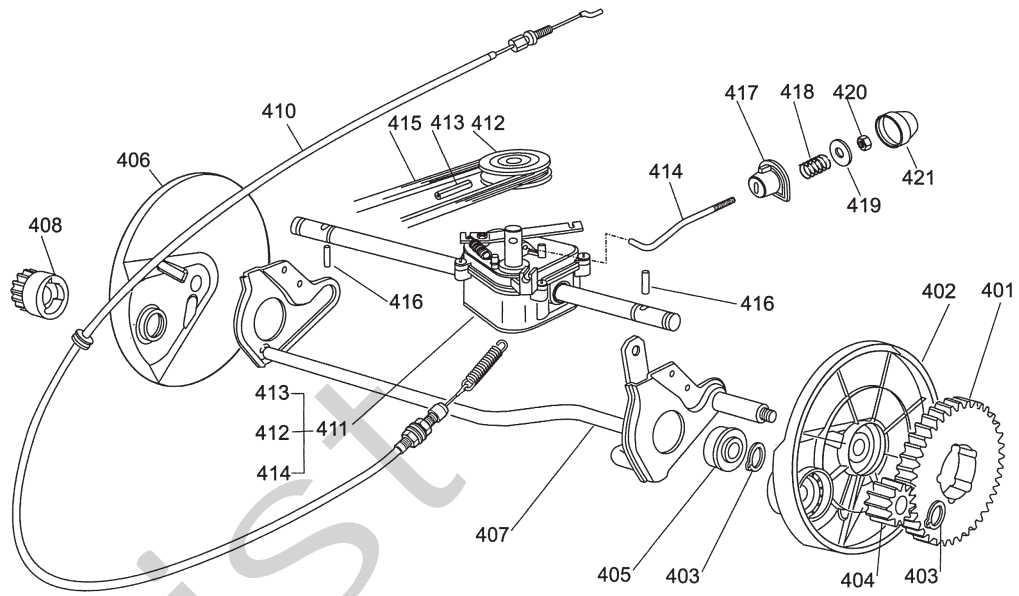


Joist  
Spareparts  
Joist



Utgåva Issue		Bildnr Picture No		46S CHASSI STYRE		46S CHASSIS HANDLE		Sida Page
2005- 12		1385A						124
Pos. Fig.	Antal/Quantity			Art nr Part No	Benämning	Description	Sats Kit	Anmärkning Notes
	3281							
	-34							
1	1			1136-1371-01	Chassi- gul .....	Chassis- yellow .....		
2	3/2			9997-0830-16	Skruv .....	Screw .....		L = 30 mm
2	0/1			9997-0860-16	Skruv .....	Screw .....		L = 60 mm
3	2			9997-0816-16	Skruv .....	Screw .....		
4	4			1111-3554-01	Bussning .....	Bushing .....		
5	2			9747-0831-02	Mutter .....	Lock nut .....		
6	2			1136-0617-01	Skruv .....	Screw .....		
7	4			1136-0666-01	Låsrott .....	Knob .....		
8	4			9799-0831-02	Mutter .....	Nut .....		
9	1			1136-0758-01	Styre- underdel .....	Handle- lower .....		
10	1			1136-0620-01	Skruv .....	Screw .....		
10A	1			1136-0747-01	Skruv m. ögla .....	Screw w. loop .....		
11	2			1136-0693-01	Bricka .....	Washer .....		
12	3/2			9739-0831-22	Mutter .....	Nut .....		
12	0/1			9747-0831-02	Mutter .....	Lock nut .....		
15	1			1136-0714-01	Motorbromswire .....	Engine brake cable .....		
16	1			1111-3530-01	Fjäder- hö .....	Spring- RH .....		
17	1			1136-0686-01	Lucka .....	Stone guard .....		
18	1			1111-3531-01	Fjäder- vä .....	Spring- LH .....		
19	1			1136-0680-01	Pivotaxel .....	Pivot pin .....		
28	1			1136-0763-01	Styre- överdel .....	Handle- upper .....		
30	1			1136-0746-01	Motorbromsbygel .....	Engine brake lever .....		
34	2			1136-0640-01	Bussning .....	Bush .....		
37	1			1136-0745-01	Drivbygel .....	Drive lever .....		
38	2			1136-0639-01	Bussning .....	Bush .....		
39	2			1136-0682-01	Bygel .....	Plate .....		
40	4			9847-8119-16	Skruv .....	Screw .....		
41	1			1136-0643-01	Remskydd .....	Belt protection .....		
42	1			1136-0614-01	Skruv .....	Screw .....		
43	1			9652-0006-04	Spårryttare .....	Circlip .....		
44	1			1136-0665-01	Gummihylsa .....	Rubber insert .....		
46	1			1136-0776-01	Skruvsats .....	Screw set .....		
201	1			1136-0691-01	Skydd .....	Protection .....		
501	1			1111-9120-01	Knivfäste m.remskiva .....	Hub w. pulley .....		
502	1			1111-9121-01	Kniv .....	Blade .....		
503	1			1136-0083-01	Fjäderbricka .....	Elastic washer .....		
504	1			1136-0015-01	Bricka .....	Washer .....		
505	1			9987-5251-12	Skruv .....	Screw .....		
506	1			9600-0014-00	Kil .....	Key .....		
552	1			1136-0676-01	Uppsamlingskorg- övre .....	Grass box- upper .....		
553	1			1136-0677-01	Uppsamlingskorg- undre .....	Grass box- lower .....		

410	FRANCE REDUCTEURS	410	BI. CI. DI.
			



Utgåva Issue		Bildnr Picture No		46S HJULUPPHÄNGNING TRANSMISSION		46S WHEEL SUSPENSION TRANSMISSION		Sida Page	
2005-12		1386B						126	
Pos. Fig.	Antal/Quantity			Art nr Part No	Benämning	Description	Sats Kit	Anmärkning Notes	
	3281 -34								
251	2			9799-0831-02	Mutter.....	Nut.....			
252	2			9683-0030-02	Låsbricka.....	Lock washer.....			
253	2			1136-0014-01	Bricka.....	Washer.....			
254	2			1136-0696-01	Höjinställn.sektor.....	Wheel adjust sector.....			
255	2			1136-0754-01	Hjulstöd.....	Wheel support.....			
256	2			1136-0744-01	Höjinställningsspak.....	Height adjust lever.....			
257	2			1136-0084-01	Distans.....	Spacer.....			
258	2			9997-0830-16	Skruv.....	Screw.....			
258A	2			9699-0028-02	Planbricka.....	Flat washer.....			
259	8			1136-0634-01	Bussning.....	Bush.....			
260	2			1136-0768-01	Hjul.....	Wheel.....			
261	4			9699-0056-02	Planbricka.....	Flat washer.....			
262	4			9747-0831-02	Mutter.....	Lock nut.....			
263	2			1136-0649-01	Navkapsel- gul.....	Hub cap- yellow.....			
264	1			1136-0742-01	Höjinställningsspak.....	Height adjust lever.....			
265	2			9997-0512-16	Skruv.....	Screw.....			
266	2			9747-0531-02	Mutter.....	Nut.....			
267	2			1136-0769-01	Hjul.....	Wheel.....			
268	2			1136-0650-01	Navkapsel- gul.....	Hub cap- yellow.....			
401	2			1136-0653-01	Kuggkrans.....	Ring gear.....			
402	1			1136-0690-01	Hjulskydd- vä.....	Wheel protection- LH.....			
403	4			9650-0012-04	Seegersäkring.....	Circlip.....			
404	1			1136-0685-01	Drev- vä.....	Pinion- LH.....			
405	2			1136-0632-01	Lager.....	Bearing.....			
406	1			1136-0689-01	Hjulskydd- hö.....	Wheel protection- RH.....			
407	1			1136-0713-01	Bakaxel.....	Rear wheel axle.....			
408	1			1136-0684-01	Drev- hö.....	Pinion- RH.....			
410	1			1136-1455-01	Kopplingswire.....	Clutch cable.....		Bi.Ci.Di	
410	1			1136-1459-01	Kopplingswire.....	Clutch cable.....		France Reducteurs	
411	1			1136-1456-01	Transmission kpl (sv).....	Gearbox assy (black).....		France Reducteurs	
411	1			1136-1457-01	Transmission kpl (grå).....	Gearbox assy (grey).....		Bi.Ci.Di	
412	1			1136-0692-01	• Remskiva.....	• Pulley.....			
413	1			1136-0612-01	• Stift.....	• Pin.....			
414	1			1136-0633-01	• Justerstång.....	• Adjustment rod.....		Bi.Ci.Di	
414	1			1136-1454-01	• Justerstång.....	• Adjustment rod.....		France Reducteurs	
415	1			1111-9123-01	Drivrem.....	Drive belt.....			
416	2			1136-0697-01	Stift.....	Pin.....			
417	1			1136-0638-01	Bussning.....	Bush.....			
418	1			1136-0668-01	Fjäder.....	Spring.....			
419	1			1136-0091-01	Bricka.....	Washer.....			
420	1			9747-0631-02	Låsmutter.....	Lock nut.....			
421	1			1136-0081-01	Navkapsel.....	Hub cap.....			