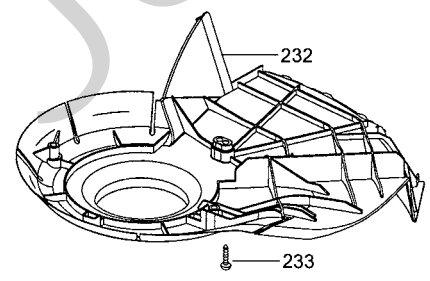
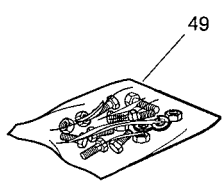
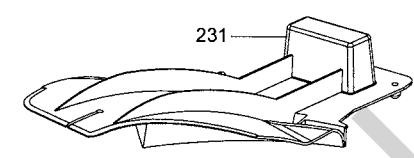
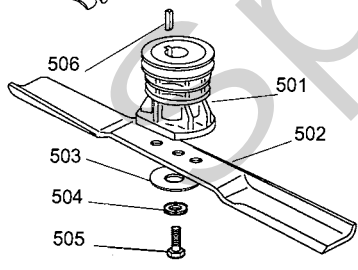
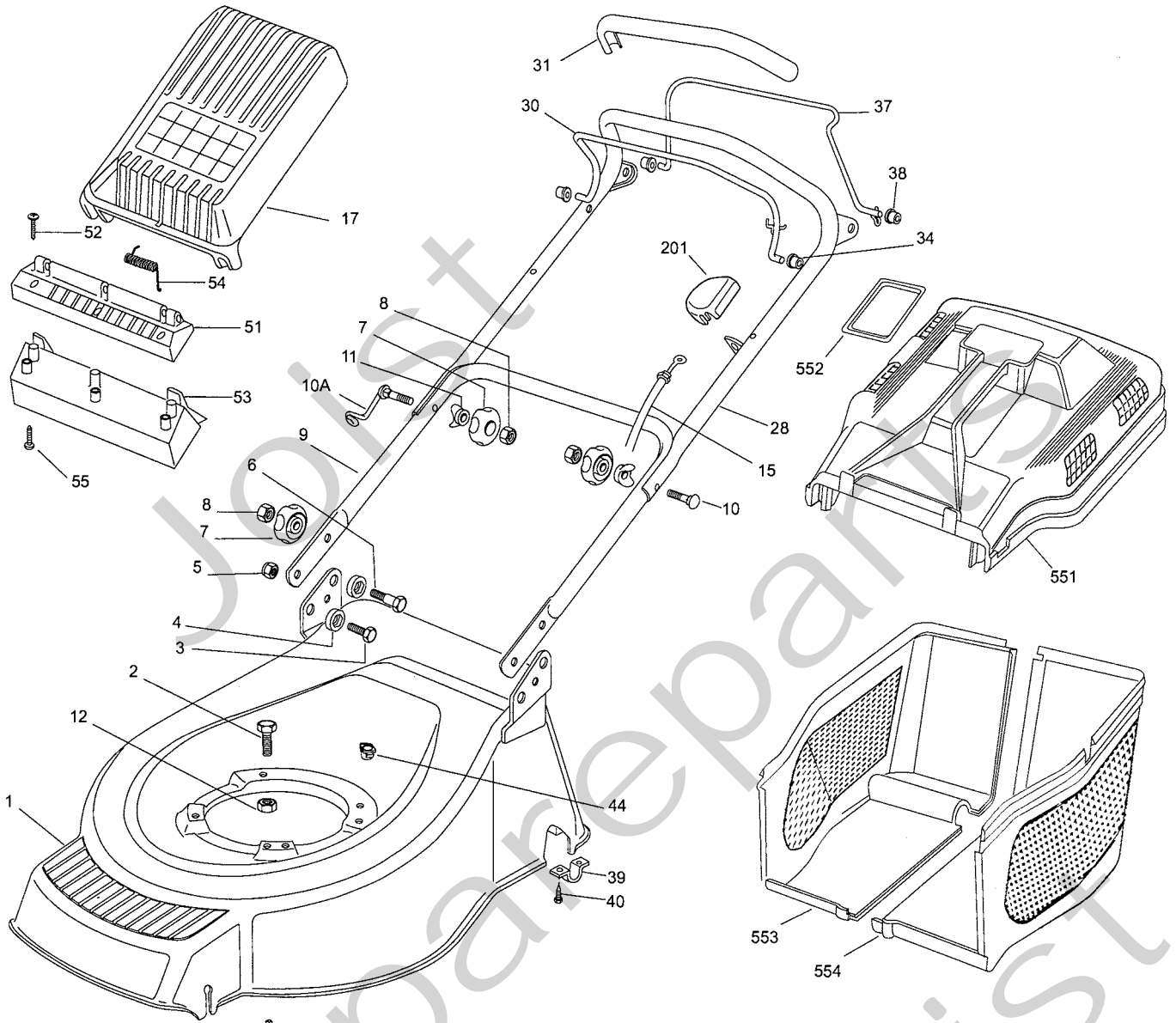
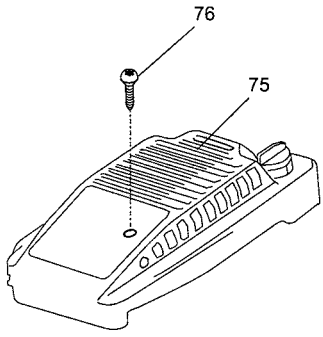


# Genuine Spare Parts

---

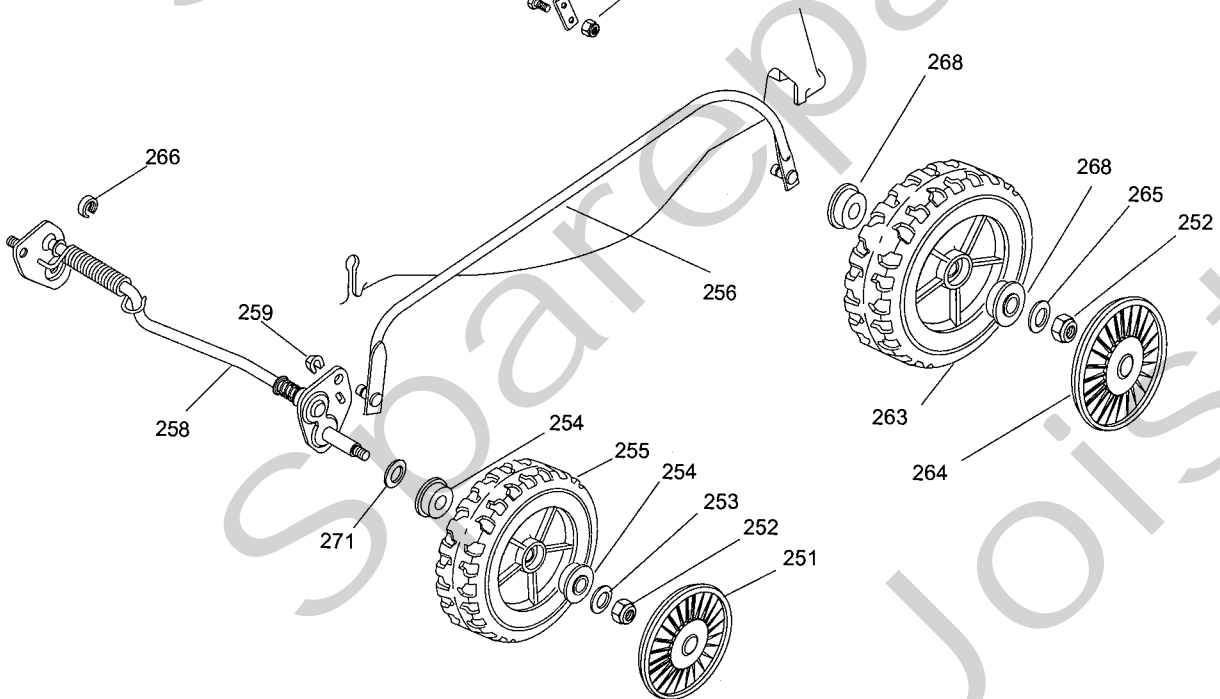
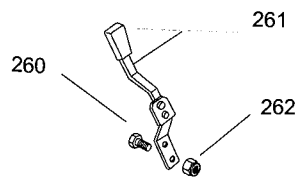
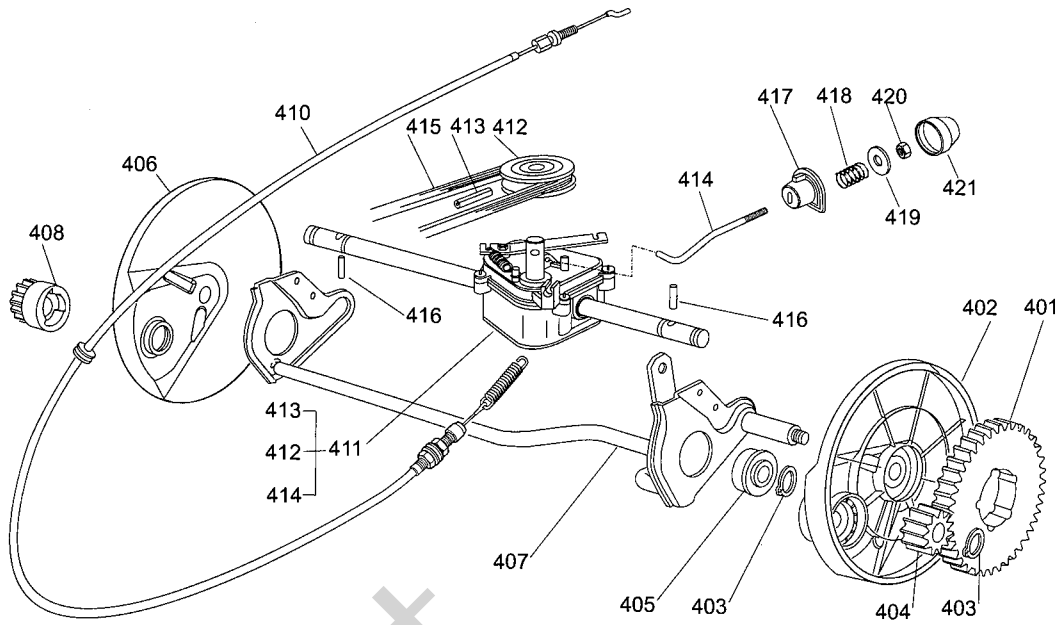


Joist  
Spareparts  
Joist




Utgåva Issue		Bildnr Picture No		TURBO 47S COMBI CHASSI UPPSAMLARE		TURBO 47S COMBI CHASSIS GRASS COLLECTOR		Sida Page	
2004-12		1730						150	
Pos. Fig.	Antal/Quantity			Art nr Part No	Benämning	Description	Sats Kit	Anmärkning Notes	
	7281 -13								
1	1			1136-1369-01	Chassi- gul .....	Chassis- yellow .....			
2	3/2			9997-0830-16	Skruv .....	Screw .....		L = 30 mm L = 60 mm	
2	0/1			9997-0860-16	Skruv .....	Screw .....			
3	2			9997-0816-16	Skruv .....	Screw .....			
4	4			1136-0637-01	Bussning .....	Bush .....			
5	2			9747-0831-02	Mutter .....	Lock nut .....			
6	2			1136-0617-01	Skruv .....	Screw .....			
7	4			1117-3194-01	Lås ratt .....	Locking knob .....			
8	4			9799-0831-02	Mutter .....	Nut .....			
9	1			1136-1193-01	Styre- underdel .....	Handle- lower .....			
10	1			1136-0620-01	Skruv .....	Screw .....			
10A	1			1136-0747-01	Skruv m. ögla .....	Screw w. loop .....			
11	2			1136-0693-01	Bricka .....	Washer .....			
12	3/2			9739-0831-22	Mutter .....	Nut .....			
12	0/1			9747-0831-02	Mutter .....	Lock nut .....			
15	1			1136-0714-01	Motorbromswire .....	Engine brake cable .....			
17	1			1111-3283-02	Lucka- svart .....	Flap- black .....			
28	1			1136-0763-01	Styre- överdel .....	Handle- upper .....			
30	1			1136-0746-01	Motorbromsbygel .....	Engine brake lever .....			
31	1			1136-1191-01	Handtag- svart .....	Handgrip- black .....			
34	2			1136-0640-01	Bussning .....	Bush .....			
37	1			1136-0745-01	Drivbygel .....	Drive lever .....			
38	2			1136-0639-01	Bussning .....	Bush .....			
39	2			1136-0682-01	Bygel .....	Plate .....			
40	4			9847-8119-16	Skruv .....	Screw .....			
44	1			1136-0665-01	Gummihylsa .....	Rubber insert .....			
49	1			1136-0803-01	Skruvsats .....	Screw set .....			
51	1			1136-0705-01	Luckhållare- svart .....	Fulcrum- black .....			
52	3			9836-9525-12	Skruv .....	Screw .....			
53	1			1136-0704-01	Uppsamlarfäste- svart .....	Bag holder- black .....			
54	1			1111-2792-01	Fjäder .....	Spring .....			
55	3			1136-1458-01	Skruv .....	Screw .....			
75	1			1111-3287-02	Motorkåpa- grå .....	Engine cover- grey .....			
76	2			9828-7942-12	Skruv .....	Screw .....			
201	1			1136-0691-01	Skydd .....	Protection .....			
231	1			1136-1338-01	Mulcherplugg .....	Deflector .....			
232	1			1136-1329-01	Skyddskåpa .....	Protection .....			
233	2			1136-0615-01	Skruv .....	Screw .....			
501	1			1111-9120-01	Knivfäste m. remskiva .....	Hub w. pulley .....			
502	1			1111-9121-01	Kniv .....	Blade .....			
503	1			1136-0083-01	Fjäderbricka .....	Elastic washer .....			
504	1			1136-0015-01	Bricka .....	Washer .....			
505	1			1136-0616-01	Bult .....	Screw .....			
506	1			9600-0014-00	Kil .....	Key .....			
551	1			1111-2840-02	Uppsamlarlock- svart .....	Top collector- black .....			
552	1			1111-2764-01	Täckbricka .....	Cover .....			
553	1			1111-2842-02	Uppsaml. u- del- hö .....	Collector-lower part .....			
554	1			1111-2841-02	Uppsaml. u- del- vä .....	Collector-lower part .....			

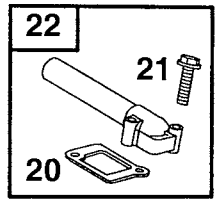
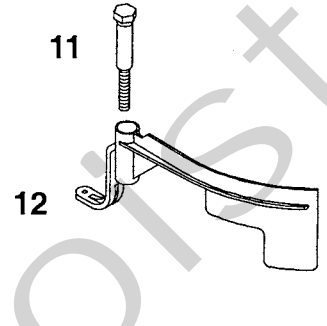
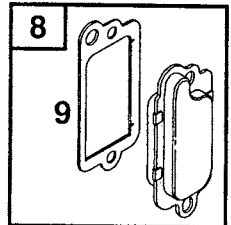
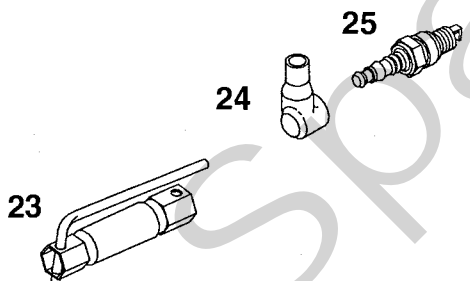
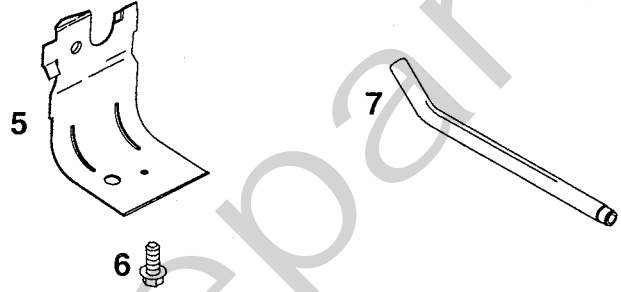
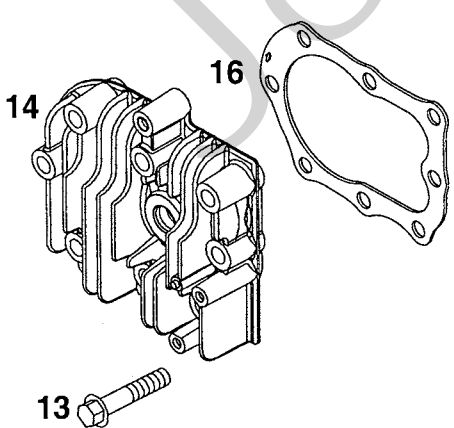
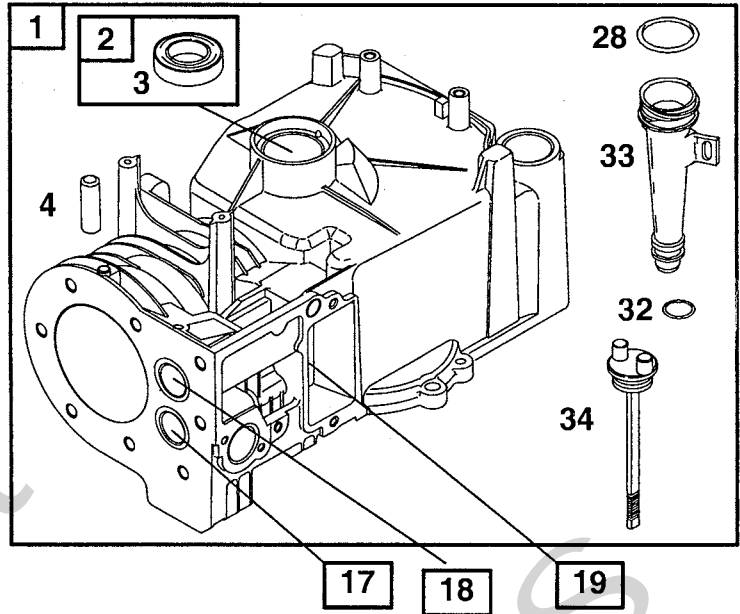
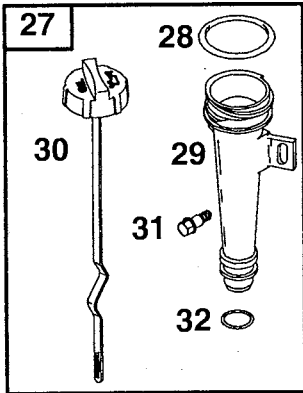
X



Utgåva Issue		Bildnr Picture No		TURBO 47S COMBI HJULUPPHÄNGNING TRANSMISSION		TURBO 47S COMBI WHEEL SUSPENSION TRANSMISSION		Sida Page	
2004-12		1731						152	
Pos. Fig.	Antal/Quantity			Art nr Part No	Benämning	Description	Sats Kit	Anmärkning Notes	
	7281 -13								
X	251	2		1136-1508-01	Navkapsel- grå .....	Hub cap- grey .....			
	252	4		9747-0831-02	Mutter .....	Lock nut .....			
	253	2		9699-0028-02	Planbricka .....	Flat washer .....			
	254	4		1136-0655-01	Lager .....	Bearing .....			
X	255	2		1136-1520-01	Hjul .....	Wheel .....			
	256	1		1136-1383-01	Höjdställningsstag .....	Height adjust rod .....			
	258	1		1136-1357-01	Hjulaxel- fram .....	Wheel axle- front .....			
	259	2		1136-0009-01	Låsplatta .....	Lock plate .....			
	260	2		9997-0512-16	Skruv .....	Screw .....			
	261	1		1136-0742-01	Höjdställningsspak .....	Height adjust lever .....			
	262	2		9747-0531-02	Mutter .....	Nut .....			
	263	2		1136-0772-01	Hjul .....	Wheel .....			
X	264	2		1136-1509-01	Navkapsel- grå .....	Hub cap- grey .....			
	265	2		1136-0006-01	Fjäderbricka .....	Elastic washer .....			
	266	1		1136-0658-01	Distans .....	Spacer .....			
	268	4		1136-0655-01	Lager .....	Bearing .....			
	271	2		1136-0609-01	Fjäderbricka .....	Elastic washer .....			
	401	2		1136-0653-01	Kuggkrans .....	Ring gear .....			
	402	1		1136-0690-01	Hjulskydd- vä .....	Wheel protection- LH .....			
	403	4		9650-0012-04	Seegersäkring .....	Circlip .....			
	404	1		1136-0685-01	Drev- vä .....	Pinion- LH .....			
	405	2		1136-0632-01	Lager .....	Bearing .....			
	406	1		1136-0689-01	Hjulskydd- hö .....	Wheel protection- RH .....			
	407	1		1136-0713-01	Bakaxel .....	Rear wheel axle .....			
	408	1		1136-0684-01	Drev- hö .....	Pinion- RH .....			
X	410	1		1136-1459-01	Kopplingswire .....	Clutch cable .....			
X	411	1		1136-1456-01	Transmission kpl .....	Gearbox assy (black) .....		Inkl. pos 412 - 414	
	412	1		1136-0692-01	• Remskiva .....	• Pulley .....			
	413	1		1136-0612-01	• Stift .....	• Pin .....			
X	414	1		1136-1454-01	• Justerstång .....	• Adjustment rod .....			
	415	1		1111-9123-01	Drivrem .....	Drive belt .....			
	416	2		1136-0697-01	Stift .....	Pin .....			
	417	1		1136-0638-01	Bussning .....	Bush .....			
	418	1		1136-0668-01	Fjäder .....	Spring .....			
	419	1		1136-0091-01	Bricka .....	Washer .....			
	420	1		9747-0631-02	Låsmutter .....	Lock nut .....			
	421	1		1136-0081-01	Navkapsel .....	Hub cap .....			

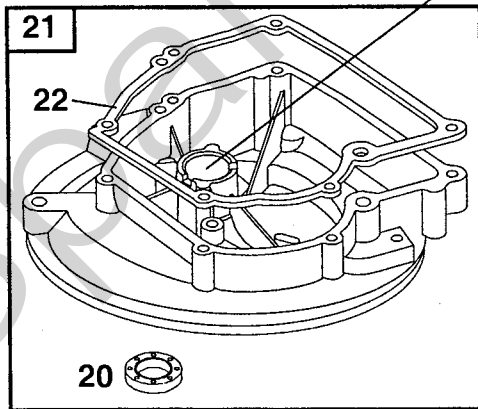
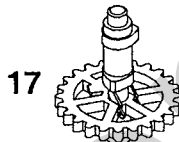
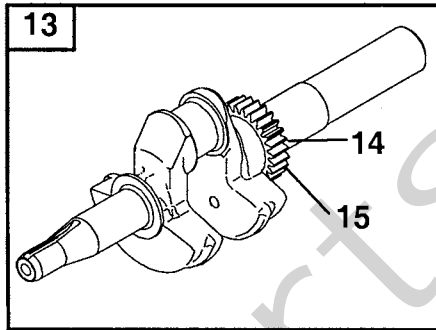
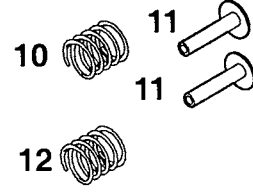
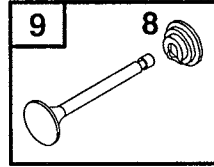
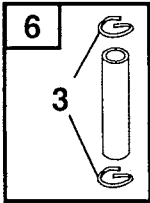
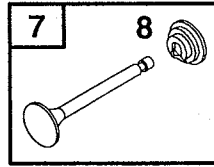
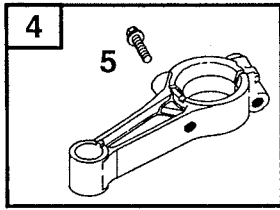
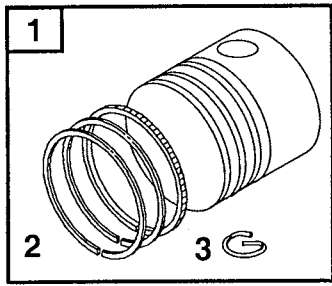
A

15 



Utgåva Issue 2004-12		Bildnr Picture No 1476		BRIGGS & STRATTON 10D902 CYLINDER		BRIGGS & STRATTON 10D902 CYLINDER		Sida Page 384
Pos. Fig.	Antal/Quantity			Art nr Part No	Benämning	Description	Sats Kit	Anmärkning Notes
	10D 902- 0141	10D 902- 0153						
X	A01	1		399164	Cylinder kpl.....	Cylinder assy.....		
	A01		1	699653	Cylinder kpl.....	Cylinder assy.....		
	A02	1	1	399269	• Bussning.....	• Bushing.....		
	A03	1	1	299819	• Tätningring.....	• Oil seal.....	S	
	A04	2	2	690959	• Tapp.....	• Locating pin.....		
	A05	1	1	690400	Skyddsplåt.....	Cylinder shield.....		
	A06	1	1	690345	Skruv.....	Screw.....		
	A07	1	1	691245	Rör.....	Breather tube.....		
	A08	1		495785	Vevhusventilation.....	Breather.....		
X	A08		1	699640	Vevhusventilation.....	Breather.....		
	A09	1		272602	• Packning.....	• Gasket.....	S	
	A09		1	695890	• Packning.....	• Gasket.....	S	
	A10	2	2	691666	Skruv.....	Screw.....		
	A11	1	1	691107	Skruv.....	Screw.....		
	A12	1	1	691912	Regulatorvinge.....	Governor blade.....		
X	A13		8	691640	Skruv.....	Screw.....		
	A13	8		691697	Skruv.....	Screw.....		
	A14	1	1	690386	Topplock.....	Cylinder head.....		
	A15	1	1	692889	Distans.....	Spacer.....		
	A16	1		692288	Topplockspackning.....	Cylinder head gasket.....	S	
X	A16		1	698717	Topplockspackning.....	Cylinder head gasket.....	S	
	A17	1		691702	• Ventilåte- utblås.....	• Valve seat- exhaust.....		
X	A17		1	699642	• Ventilåte- utblås.....	• Valve seat- exhaust.....		
	A18	1		691701	• Ventilåte- insug.....	• Valve seat- intake.....		
X	A18		1	699641	• Ventilåte- insug.....	• Valve seat- intake.....		
	A19	1		231348	• Ventilstyrning- utblås.....	• Guide bushing- exhaust.....		
	A19	1		63709	• Ventilstyrning- insug.....	• Guide- intake valve.....		
X	A19		1	699643	• Ventilstyrning- utblås.....	• Valve guide- exhaust.....		
	A20	1		270345	• Packning.....	• Gasket.....	S	
X	A20		1	699649	• Packning.....	• Gasket.....	S	
	A21	2	2	691111	• Skruv.....	• Screw.....		
	A22	1		693446	Insugningsrör.....	Intake manifold.....		
X	A22		1	699644	Insugningsrör.....	Intake manifold.....		
	A23	1	1	1111-9029-01	Tändstiftsnyckel.....	Spark plug wrench.....		
	A24	1	1	66538	Tändstiftsskydd.....	Spark plug elbow.....		
	A25	1	1	9400-0225-00	Tändstift.....	Spark plug.....		Champion J19LM
	A27	1		691440	Oljesticka kpl.....	Dipstick assy.....		
	A28	1	1	691870	• Tätningring.....	• Seal.....		
	A29	1		691320	• Påfyllningsrör.....	• Dipstick tube.....		
	A30	1		692040	• Oljesticka.....	• Dipstick.....		
	A31	1		691002	• Skruv.....	• Screw.....		
	A32	1	1	691876	• Tätningring.....	• Dipstick tube seal.....	S	
	A33		1	691320	• Påfyllningsrör.....	• Dipstick tube.....		
	A34		1	691913	• Oljesticka.....	• Oil dipstick.....		

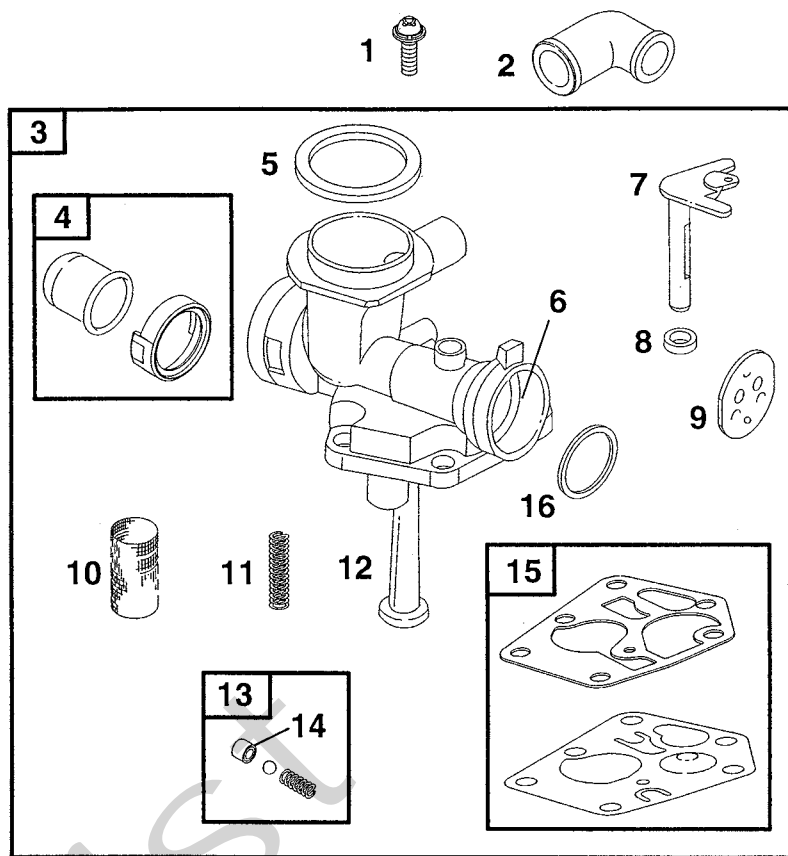
A



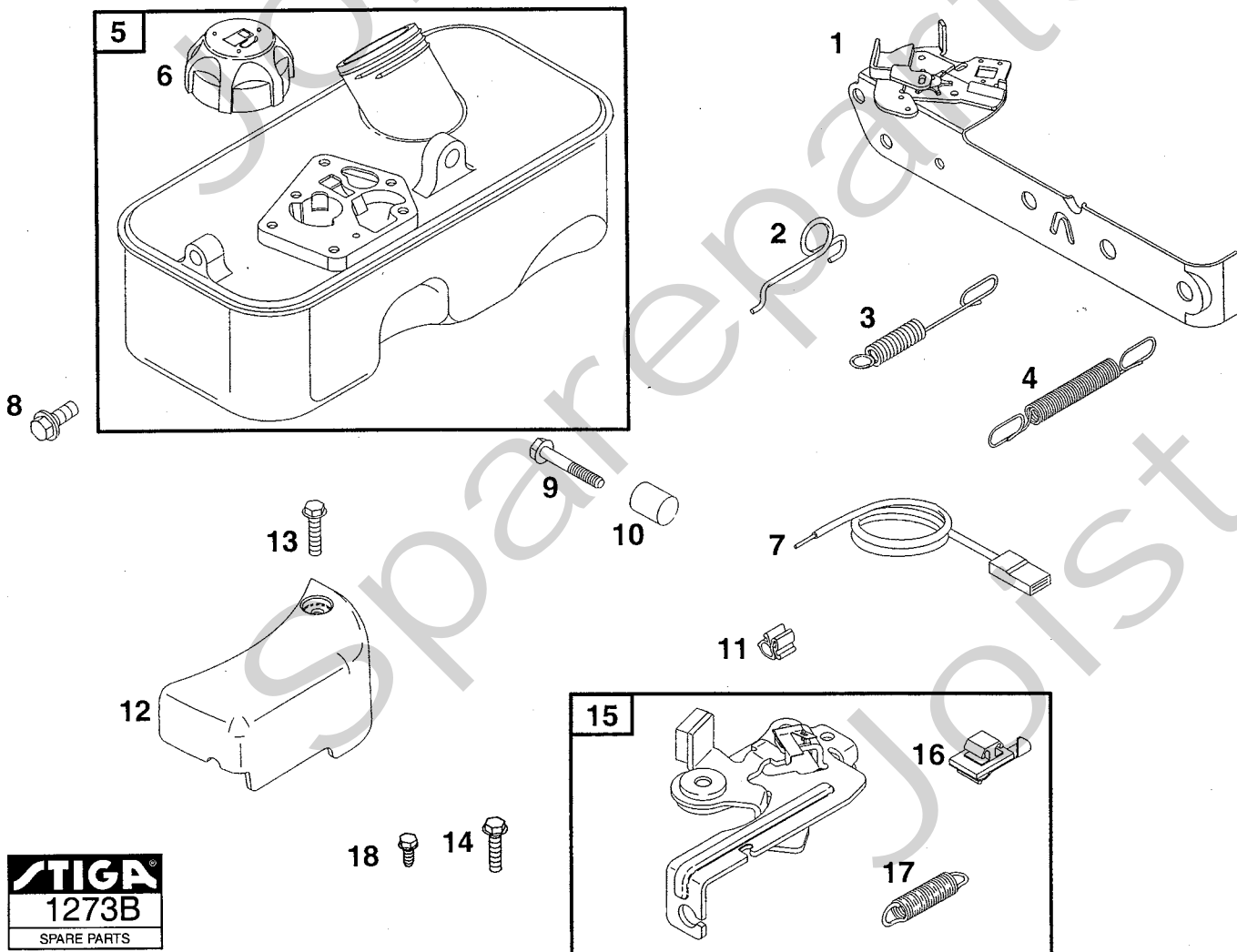


Utgåva Issue 2004-12		Bildnr Picture No 1477		BRIGGS & STRATTON 10D902 VEVAXEL VEVHUS		BRIGGS & STRATTON 10D902 CRANKSHAFT CRANKCASE		Sida Page 386
Pos. Fig.	Antal/Quantity			Art nr Part No	Benämning	Description	Sats Kit	Anmärkning Notes
	10D 902- 0141	10D 902- 0153						
	A01	1		498668	Kolv kpl.....	Piston assy .....		Standard
	A01	1		498669	Kolv kpl.....	Piston assy .....		.010" oversize
	A01	1		498670	Kolv kpl.....	Piston assy .....		.020" oversize
	A01	1		498671	Kolv kpl.....	Piston assy .....		.030" oversize
X	A01		1	699657	Kolv kpl.....	Piston assy .....		Standard
	A02	1		498680	• Kolvringsats.....	• Ring set.....		Standard
	A02	1		498681	• Kolvringsats.....	• Ring set.....		.010" oversize
	A02	1		498682	• Kolvringsats.....	• Ring set.....		.020" oversize
	A02	1		498683	• Kolvringsats.....	• Ring set.....		.030" oversize
X	A02		1	699658	• Kolvringsats.....	• Ring set.....		Standard
	A03	2	2	691588	• Låsring .....	• Piston pin lock .....		
	A04	1		496792	Vevstake .....	Connecting rod .....		
X	A04		1	699654	Vevstake .....	Connecting rod .....		
	A05	2	2	691664	• Skruv .....	• Screw .....		
	A06	1		298908	Kolvbult kpl.....	Piston pin assy.....		.005" oversize
	A06	1	1	298909	Kolvbult kpl.....	Piston pin assy.....		Standard
	A07	1	1	296676	Utblåsningsventil.....	Exhaust valve .....		
	A08	2	2	692194	• Ventilhållare .....	• Valve retainer .....		
	A09	1	1	296677	Insugningsventil .....	Intake valve .....		
	A10	1	1	690520	Ventilfjäder .....	Valve spring .....		
	A11	2	2	691762	Ventilyftare .....	Valve tappet .....		
	A12	1	1	690520	Ventilfjäder .....	Valve spring .....		
	A13	1	1	691471	Vevaxel .....	Crankshaft.....		
	A14	1	1	499047	• Stift.....	• Pin.....		
	A15	1	1	691805	• Drev .....	• Timing gear.....		
	A16	1	1	222698	Kil .....	Key .....		
	A17	1	1	691998	Kamaxel.....	Camshaft.....		
	A18	1		691983	Oljeslungare.....	Oil slinger .....		
X	A18		1	698690	Oljeslungare.....	Oil slinger .....		
	A19	1	1	293709	• Bussning.....	• Bushing.....		
	A20	1	1	391483	• Tätningring .....	• Oil seal .....	S	
	A21	1	1	395384	Vevhus.....	Oil sump .....		
	A22	1	1	270895	• Vevhuspackning .....	• Crankcase gasket .....	S	.005" thick
	A22	1	1	270896	• Vevhuspackning .....	• Crankcase gasket .....	S	.009" thick
	A22	1	1	692218	• Vevhuspackning .....	• Crankcase gasket .....	S	.015" thick (Standard)
	A23	1	1	691680	Oljeavtappningsplugg .....	Oil drain plug .....		
	A24	6	6	691662	Skruv .....	Screw .....		
	A31	1		298989	Packningssats .....	Gasket set .....		Märkta/marked S
X	A31		1	699933	Packningssats .....	Gasket set .....		Märkta/marked S

A

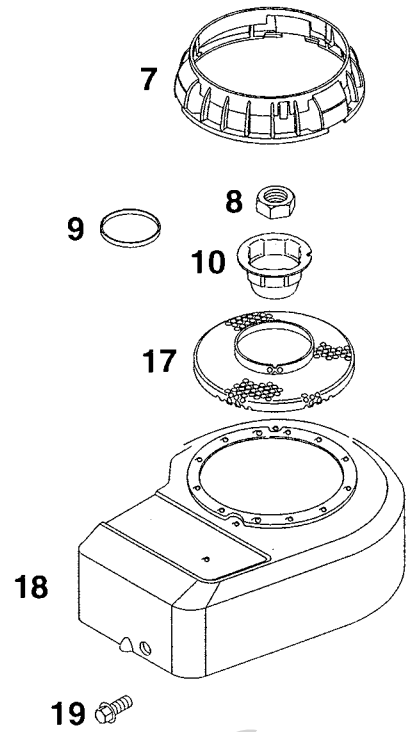
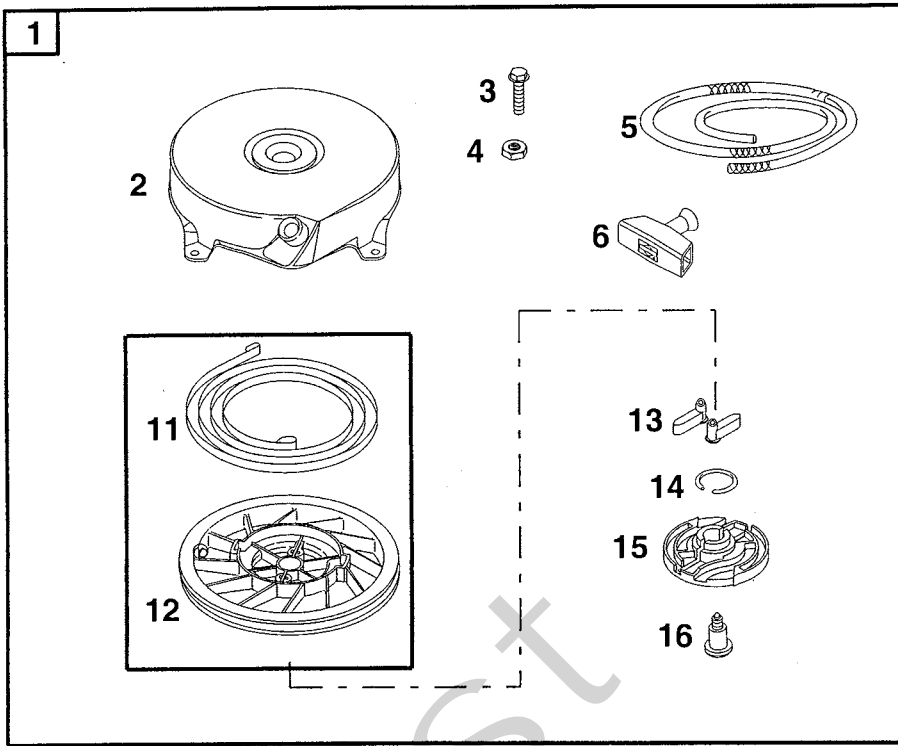


B

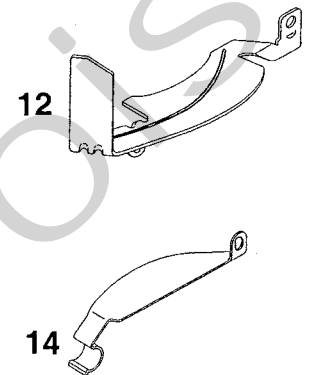
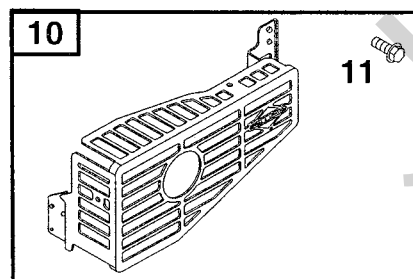
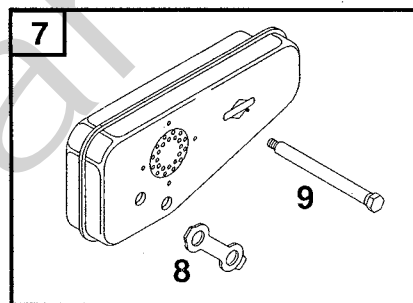
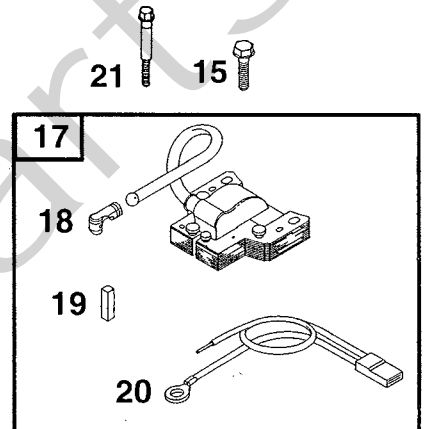
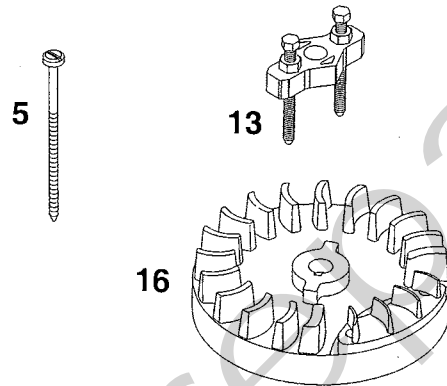
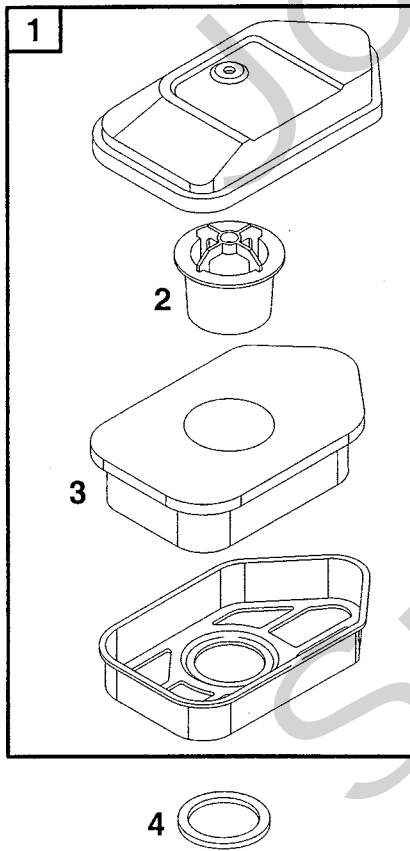


Utgåva Issue		Bildnr Picture No		BRIGGS & STRATTON 10D902 FÖRGASARE BRÄNSLETANK		BRIGGS & STRATTON 10D902 CARBURETTOR FUEL TANK		Sida Page	
2004-12		1273B						388	
Pos. Fig.	Antal/Quantity			Art nr Part No	Benämning	Description	Sats Kit	Anmärkning Notes	
	10D 902- 0141	10D 902- 0153							
A01	4	4		692200	Skruv .....	Screw .....			
A02	1	1		692189	Hylsa .....	Grommet .....			
A03	1	1		498811	Förgasare kpl .....	Carburettor assy .....			
A04	1			494408	• Primer .....	• Primer bulb .....			
A04		1		694394	• Primer .....	• Carburettor primer .....			
A05	1	1		271139	• Packning .....	• Gasket .....			
A06	1	1		270344	• Tätning .....	• Seal .....			
A07	1	1		691931	• Spjällaxel .....	• Throttle shaft .....			
A08	1	1		691321	• Dammtätning .....	• Dust seal .....			
A09	1	1		691190	• Gasspjäll .....	• Throttle valve .....			
A10	1	1		691837	• Nät .....	• Screen .....			
A11	1	1		691839	• Fjäder .....	• Spring .....			
A12	1	1		496046	• Bränslerör .....	• Fuel pipe .....			
A13	1	1		494409	• Ventilsåte .....	• Check valve seat .....			
A14	1	1		691901	• Säte .....	• Inlet seat .....			
A15	1	1		495770	• Membran .....	• Diaphragm .....			
A16	1	1		695866	• O-ring .....	• O-ring seal .....			
B01	1	1		691446	Reglageplåt .....	Control bracket .....			
B02	1	1		690347	Regulatorlänk .....	Air vane link .....			
B03	1			690251	Regulatorfjäder .....	Governor spring .....			
B03		1		690254	Regulatorfjäder .....	Governor spring .....			
B04	1	1		691859	Fjäder .....	Idle spring .....			
B05	1	1		494406	Bränsletank .....	Fuel tank .....			
B06	1	1		497929	• Tanklock .....	• Fuel cap .....			
B07	1	1		692390	Stoppkabel .....	Stop wire .....			
B08	1	1		692198	Skruv .....	Screw .....			
B09	1	1		691697	Skruv .....	Screw .....			
B10	1	1		691633	Distans .....	Spacer .....			
B11	1	1		690586	Wireklämna .....	Wire clip .....			
B12	1	1		691349	Kåpa .....	Linkage cover .....			
B13	1	1		691111	Skruv .....	Screw .....			
B14	2	2		691146	Skruv .....	Screw .....			
B15	1	1		691487	Broms .....	Brake .....			
B16	1	1		692310	• Stoppkontakt .....	• Stop switch .....			
B17	1	1		692135	• Bromsfjäder .....	• Brake spring .....			
B18	1	1		690859	Skruv .....	Screw .....			

A

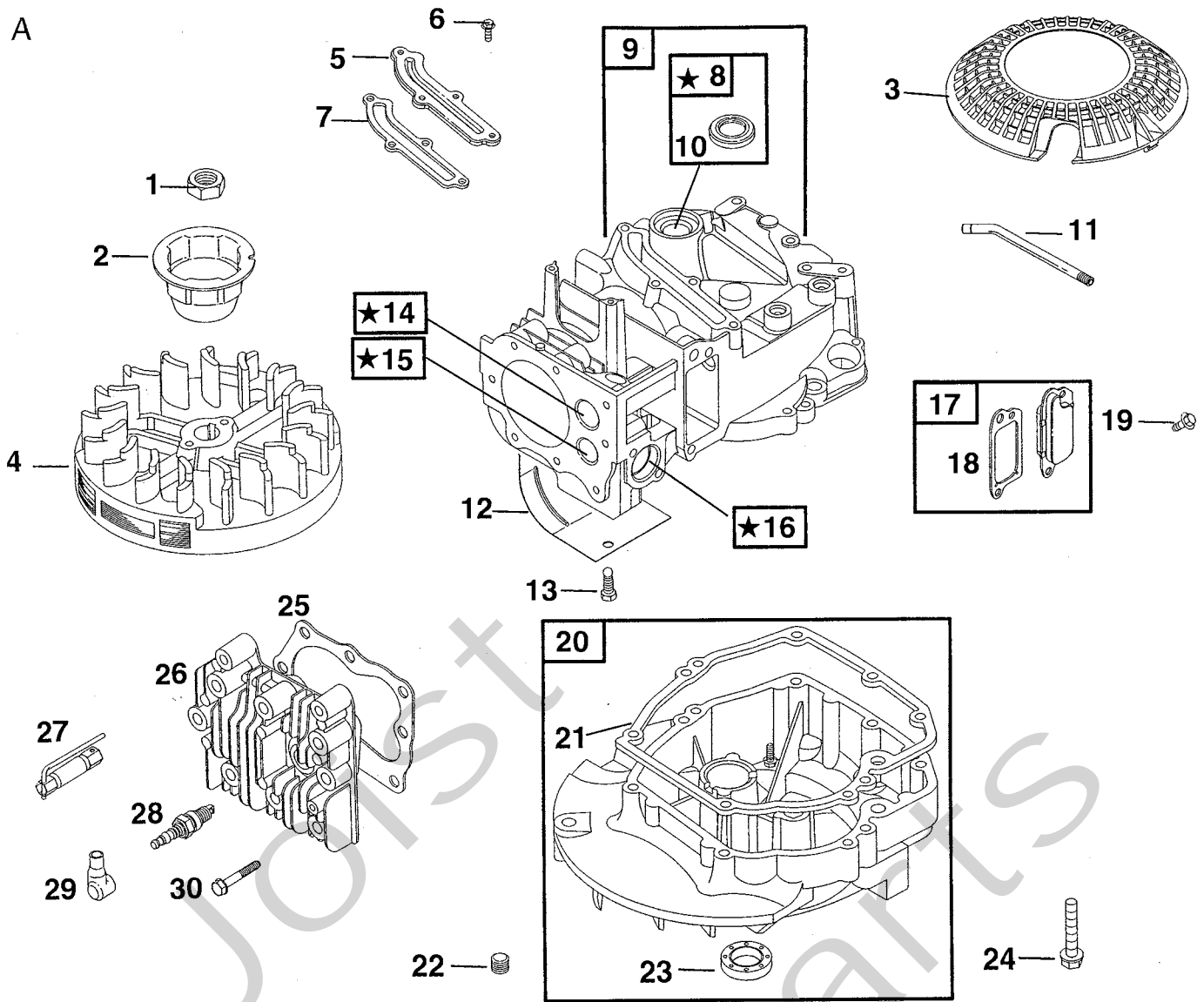


B



Utgåva Issue		Bildnr Picture No		BRIGGS & STRATTON 10D902 START LUFTFILTER		BRIGGS & STRATTON 10D902 STARTER AIR CLEANER		Sida Page	
2004-12		1272A						390	
Pos. Fig.	Antal/Quantity			Art nr Part No	Benämning	Description	Sats Kit	Anmärkning Notes	
	10D 902- 0141	10D 902- 0153							
	A01	1	1	499706	Start kpl.....	Rewind starter.....			
	A02	1	1	692144	• Starthus.....	• Starter housing.....			
	A03	4	4	690837	• Skruv.....	• Screw.....			
	A04	4	4	690800	• Mutter.....	• Nut.....			
	A05	1	1	692259	• Startsnöre.....	• Starter rope.....			
X	A05	1	1	697316	• Startsnöre.....	• Starter rope.....			
	A06	1	1	691915	• Starthandtag.....	• Starter grip.....			
	A07	1	1	691348	Skydd.....	Rewind guard.....			
	A08	1	1	690662	Mutter.....	Flywheel nut.....			
	A09	1	1	694420	Roterande platta.....	Rotating trim plate.....			
	A10	1	1	691236	Svånghjulskopp.....	Flywheel cup.....			
	A11	1	1	499901	• Linhjul m.fjäder.....	• Pulley and spring.....			
	A12	1	1	499901	• Linhjul m.fjäder.....	• Pulley and spring.....			
	A13	2	2	281505	• Startklo.....	• Starter pawl.....			
	A14	1	1	691855	• Friktionsfjäder.....	• Friction spring.....			
	A15	1	1	692299	• Spärrplatta.....	• Pawl friction plate.....			
	A16	1	1	691696	• Skruv.....	• Screw.....			
	A17	1	1	691235	Skyddsnet.....	Rotating screen.....			
X	A17	1	1	699850	Skyddsnet.....	Rotating screen.....			
	A18	1	1	691484	Fläkthus.....	Blower housing.....			
	A19	3	3	692198	Skruv.....	Screw.....			
	B01	1	1	493492	Lufffilter.....	Air cleaner.....			
X	B01	1	1	698472	Lufffilter.....	Air cleaner.....			
	B02	1	1	691911	• Stöd.....	• Support.....			
	B03	1	1	272235	• Filterinsats.....	• Air cleaner filter.....			
X	B03	1	1	698369	• Filterinsats.....	• Air cleaner filter.....			
	B04	1	1	271139	Packning.....	Gasket.....			
	B05	1	1	691417	Skruv.....	Screw.....	S		
	B07	1	1	692307	Ljuddämpare.....	Muffler.....			
	B08	1	1	691179	• Låsbleck.....	• Screw lock.....			
	B09	2	2	691413	• Skruv.....	• Screw.....			
	B10	1	1	494896	Ljuddämparskydd.....	Muffler guard.....			
	B11	2	2	690664	• Skruv.....	• Screw.....			
	B12	1	1	691209	Svånghjulsskydd.....	Flywheel guard.....			
	B13	1	1	19069	Avdragare.....	Puller.....			
	B14	1	1	690482	Svånghjulsskydd.....	Flywheel guard.....			
	B15	2	2	691061	Skruv.....	Screw.....			
	B16	1	1	692009	Svånghjul.....	Flywheel.....			
	B17	1	1	496914	Tändsystem kpl.....	Magneto armature.....			
	B18	1	1	493880	• Anslutningshylsa.....	• Terminal.....			
	B19	1	1	222698	• Kil.....	• Key.....			
	B20	1	1	398808	• Kortslutningskabel.....	• Ground wire.....			
	B21	1	1	691107	Skruv.....	Screw.....			

A



B

