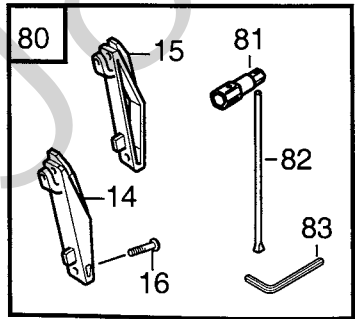
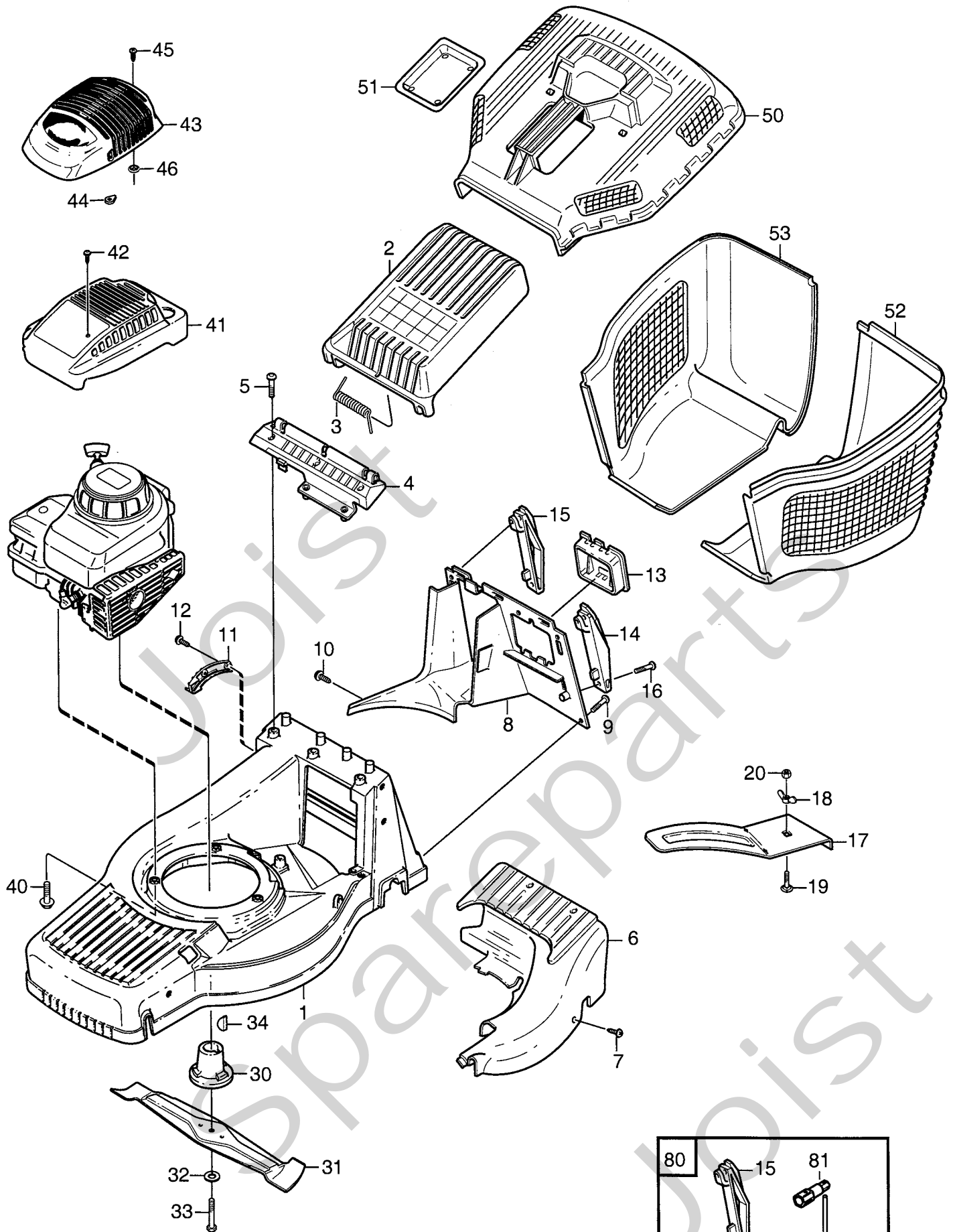


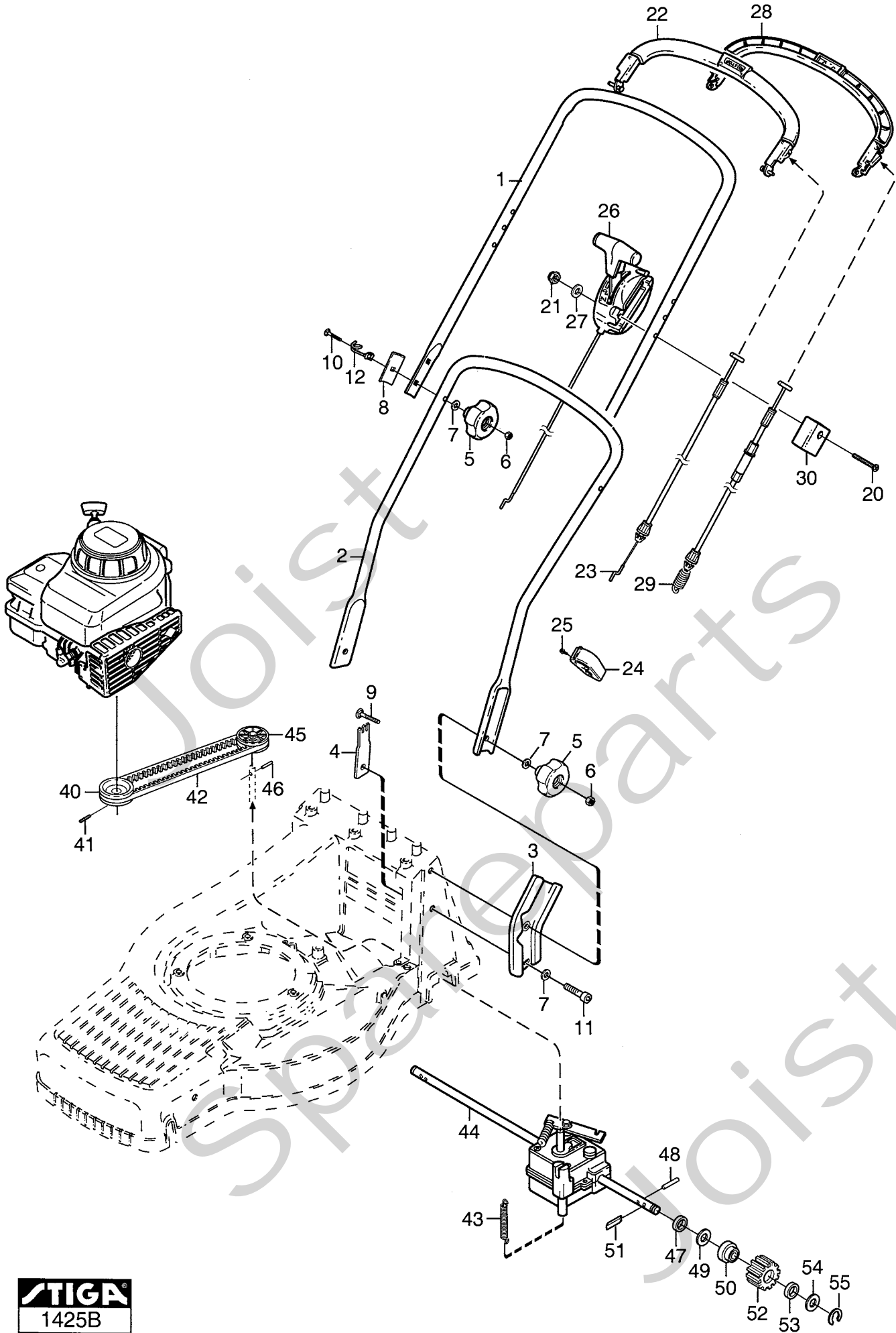
Genuine Spare Parts



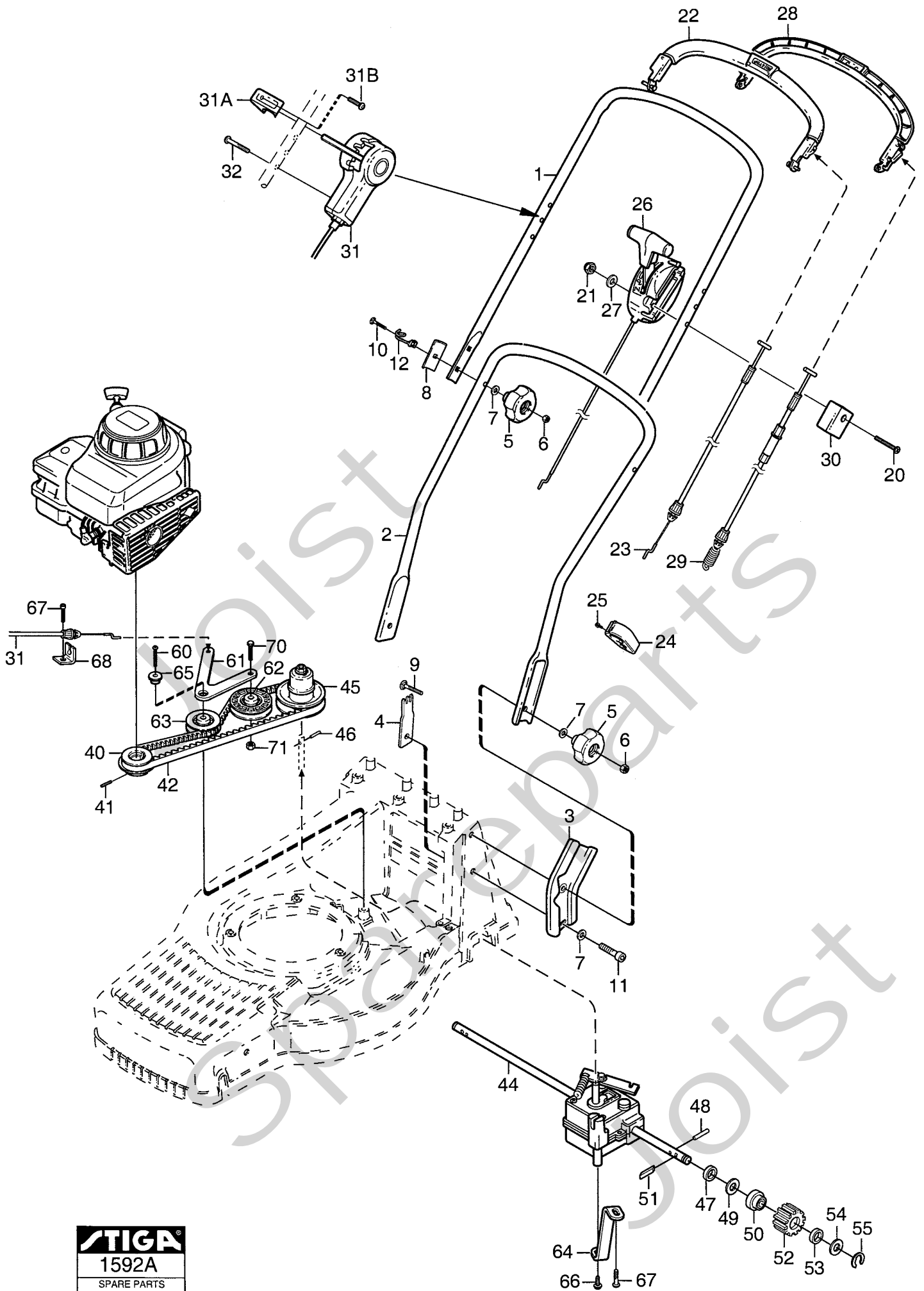
Spareparts
Joist



Utgåva Issue		Bildnr Picture No		TURBO 43- 43S COMBI HERKULES MB432 CHASSI		TURBO 43- 43S COMBI HERKULES MB432 CHASSIS		Sida Page	
2004- 12		1369B						162	
Pos. Fig.	Antal/Quantity			Art nr Part No	Benämning	Description	Sats Kit	Anmärkning Notes	
	1181 1281	1103 1203	1586 1686 1798						
1	1	1		1111-3100-01	Chassi- gul.....	Chassis- yellow			
1			1	1111-3100-16	Chassi- röd	Chassis- red			
2	1	1		1111-3282-01	Lucka- gul.....	Flap- yellow			
2			1	1111-3282-02	Lucka- svart.....	Flap- black			
3	1	1	1	1111-3181-01	Fjäder.....	Spring			
4	1	1		1111-3104-01	Luckinfästning- gul.....	Flap attachm.- yellow			
4			1	1111-3104-02	Luckinfästning- svart.....	Flap attachm.- black			
5	3	3	3	9947-0616-16	Skruv	Screw			
6	1	1		1111-3102-01	Täckåpa- gul.....	Cover- yellow			
6			1	1111-3102-04	Täckåpa- röd.....	Cover- red			
7	3	3	3	9838-9522-12	Skruv	Screw			
8	1	1	1	1111-3337-01	Bakstam.....	Rear attachment.....			
9	3	3	3	9947-0616-16	Skruv	Screw			
10	1	1	1	9838-9522-12	Skruv	Screw			
11	1	1	1	1111-2798-01	Höjdst. segment	Height adj. quadrant.....			
12	2	2	2	9838-9522-12	Skruv	Screw			
13	1	1	1	1111-2927-01	Batterihållare	Battery holder		Ej/not on 12-1798-88	
14	1	1	1	1111-3236-01	• Hållare- vä.....	• Attachment- LH.....			
15	1	1	1	1111-3237-01	• Hållare- hö.....	• Attachment- RH.....			
16	4	4	4	9836-9520-12	• Skruv.....	• Screw.....			
17	1	1	1	1111-3336-01	Mulcher plugg	Mulch plug			
18	1	1	1	1134-4481-01	Vingmutter.....	Wing nut			
19	1	1	1	9898-0820-16	Skruv	Screw			
20	1	1	1	9799-0831-02	Mutter.....	Nut			
30	1	1	1	1111-9070-01	Knivfäste.....	Blade holder.....			
31	1	1	1	1111-9089-01	Kniv.....	Blade.....			
32	1	1	1	9696-0011-01	Bricka	Washer.....			
33	1	1	1	9987-5251-12	Skruv	Screw			
34	1	1	1	9600-0014-00	Kil	Key			
40	3	3	3	9955-3732-12	Skruv	Screw			
41	1			1111-3287-01	Motorkåpa- svart	Engine cover- black.....			
41			1	1111-3352-01	Motorkåpa- svart	Engine cover- black.....			
42			2	9500-9907-01	Skruv	Screw			
42	2			9828-7942-12	Skruv	Screw			
X 43		1		1111-3601-01	Motorkåpa- svart	Engine cover- black.....			
X 44		2		1111-3624-01	Gummiring	Rubber ring			
X 45		3		1111-3625-01	Skruv	Screw			
X 46		3		1111-3629-01	Bricka	Washer.....			
50	1	1		1117-1345-01	Uppsamlarlock- gul.....	Top collector- yellow		Inkl. pos 51	
50			1	1117-1345-02	Uppsamlarlock- svart.....	Top collector- black.....		Inkl. pos 51	
51	1	1	1	1111-2764-01	• Täckbricka	• Cover.....			
52	1	1	1	1111-3106-01	Uppsamlare u- del vä.....	Collector- lower part			
53	1	1	1	1111-3116-01	Uppsamlare u- del hö.....	Collector- lower part			
80	1	1	1	1111-3569-01	Tillbehörspåse	Accessory bag.....		Inkl. pos 14-16,81-83	
81	1	1	1	1111-2921-01	• Tändstiftsnyckel.....	• Spark plug wrench.....			
82	1	1	1	1111-2113-01	• Vridpinne	• Rod			
83	1	1	1	9900-0060-00	• Insexnyckel.....	• Allen wrench.....			
99	1			1111-3588-01	Dekalsats	Label kit		STIGA	



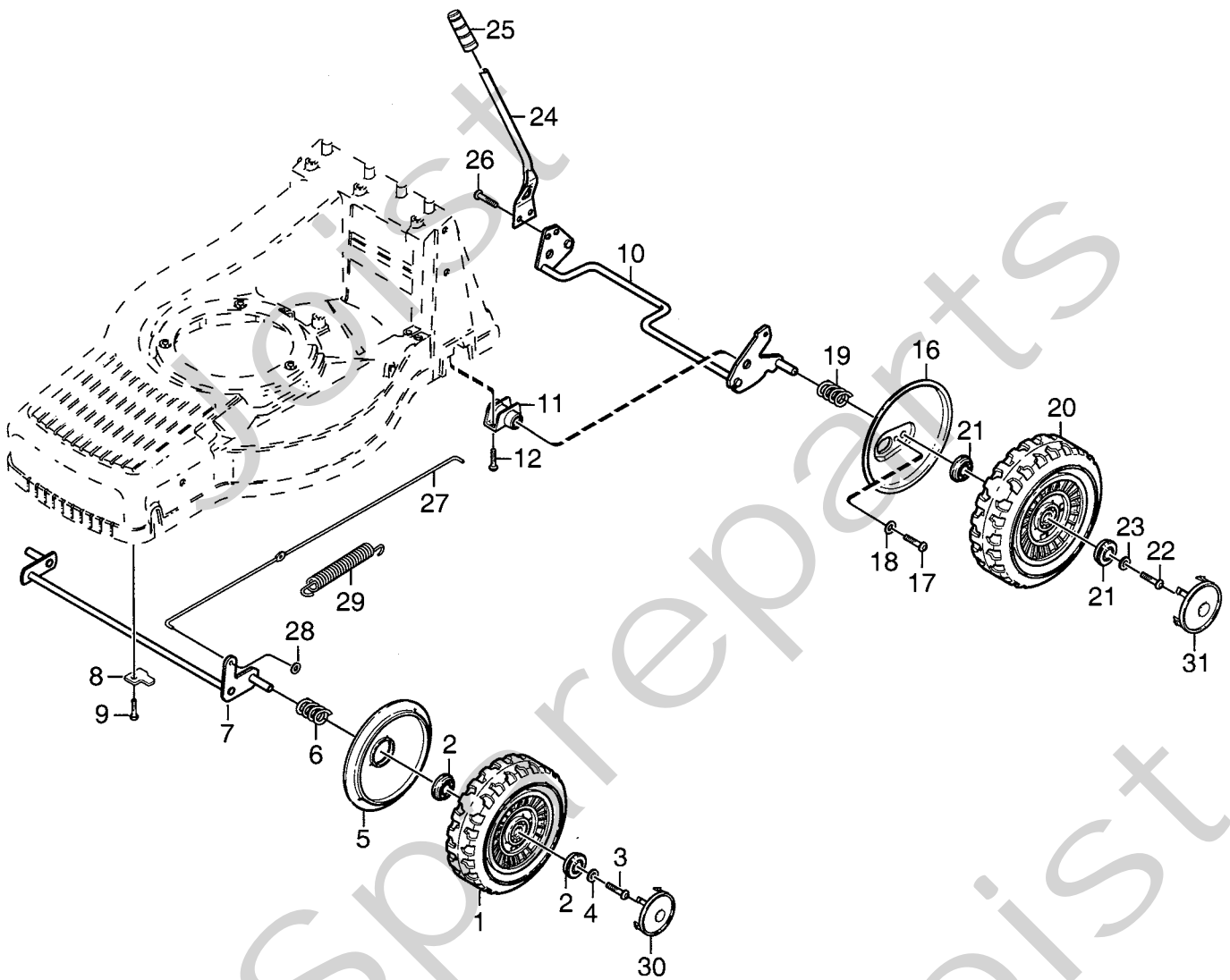
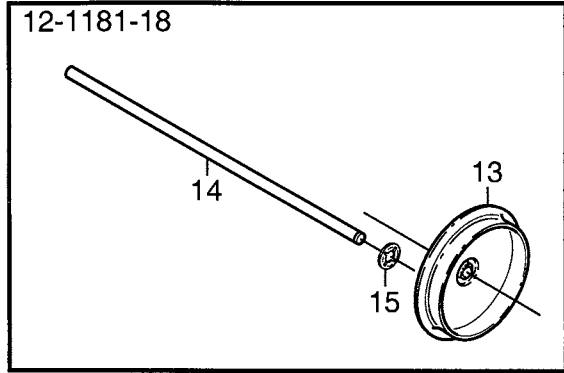
Utgåva Issue 2004-12		Bildnr Picture No 1425B				TURBO 43- 43S COMBI HERKULES MB432 STYRE TRANSMISSION		TURBO 43- 43S COMBI HERKULES MB432 HANDLE TRANSMISSION		Sida Page 164
Pos. Fig.	Antal/Quantity				Art nr Part No	Benämning	Description	Sats Kit	Anmärkning Notes	
	1103 1181	1586	1203 1281	1686						
1	1	1	1	1	1111-3112-01	Styre- överdel	Handlebar- upper part			
2	1	1	1	1	1111-3113-01	Styre- underdel	Handlebar- lower part			
3	2	2	2	2	1111-3021-01	Styrinfästning	Handlebar attachment			
4	2	2	2	2	1111-3024-01	Fästplatta	Attachment plate			
5	4	4	4	4	1111-3023-01	Lås ratt	Locking knob			
6	4	4	4	4	9795-3531-02	Mutter	Nut			
7	6	6	6	6	9699-0028-02	Planbricka	Flat washer			
8	2	2	2	2	1111-0178-00	Förstärkning	Reinforcement			
9	2	2	2	2	9899-3545-12	Skruv	Screw		L = 45 mm	
10	2	2	2	2	9899-3557-12	Skruv	Screw		L = 57 mm	
11	2	2	2	2	9939-0820-16	Skruv	Screw			
12	1	1	1	1	1111-3062-01	Ögla	Eyelink			
20	1		1		9948-0640-16	Skruv	Screw		L = 40 mm	
20		1		1	9948-0660-16	Skruv	Screw		L = 60 mm	
20	1		1		9948-0670-16	Skruv	Screw		L = 70 mm	
21	1	1	1	1	9747-0631-02	Låsmutter	Lock nut			
22	1	1	1	1	1111-2953-01	Manöverbygel	Control handle			
23	1		1		1111-2968-01	Motorbromswire	Engine brake cable			
23		1		1	1111-2968-03	Motorbromswire	Engine brake cable			
24	1	1	1	2	1111-2018-01	Kabelhållare	Cable holder			
25	1	1	1	2	9836-9216-12	Skruv	Screw			
26	1		1		1111-3301-01	Gasreglage	Throttle control			
26		1		1	1111-3351-01	Gasreglage	Throttle control		12-1103-18, 1203-18	
27		1		1	9699-0060-02	Planbricka	Flat washer			
28			1	1	1111-2954-01	Manöverbygel	Control handle			
29			1	1	1111-3388-02	Kopplingswire	Clutch cable			
30	1	1	1	1	1111-2969-01	Wirefäste	Cable attachment			
40			1	1	1111-2915-01	Motorremskiva	Engine belt pulley			
41			1	1	9910-0612-16	Stoppskruv	Set screw			
42			1	1	1111-9053-01	Drivrem	Drive belt			
43			1	1	1111-2822-01	Dragfjäder	Tension spring			
44			1	1	1111-3396-01	Transmission	Transmission			
45			1	1	1111-3440-01	Remskiva	Belt pulley			
46			1	1	9595-0235-00	Spännstift	Locating pin			
47			2	2	9404-0083-00	Tätningring	Seal ring			
48			2	2	1111-2382-01	Cyl.pinne	Pin			
49			2	2	9695-0013-00	Bricka	Washer			
50			2	2	1111-2829-01	Låsbricka	Lock washer			
51			2	2	1111-3256-01	Drivkil	Drive key			
52			2		1111-3075-01	Kugghjul- plasthjul	Pinion- plastic wheel			
52				2	1111-3230-01	Kugghjul- alum. hjul	Pinion- alum. wheel			
53			2	2	1111-2830-01	Stödbricka	Support washer			
54			2	2	9695-0013-00	Bricka	Washer			
55			2	2	9652-0010-04	Låsring	Snap ring			



STIGA
 1592A
 SPARE PARTS

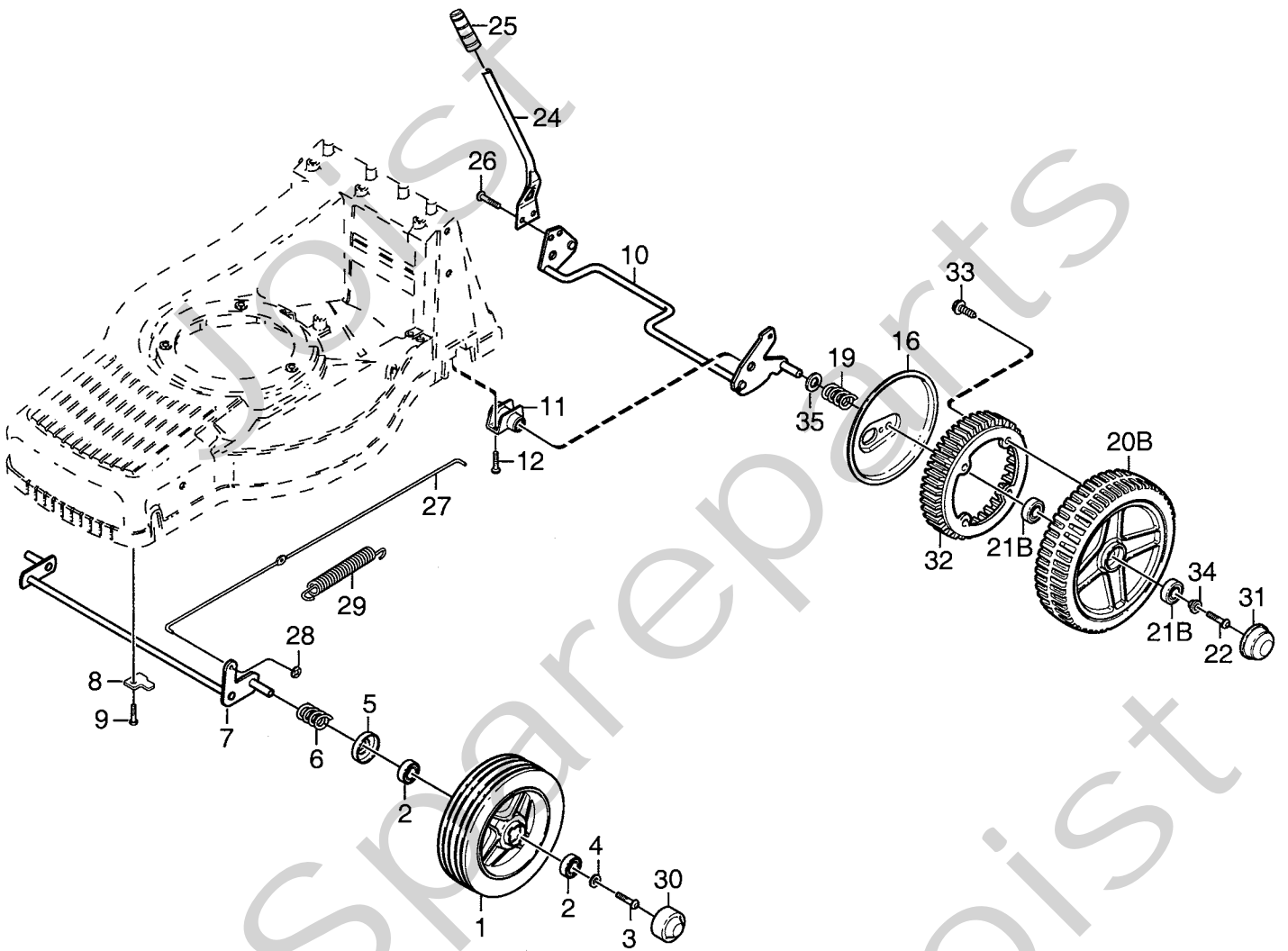
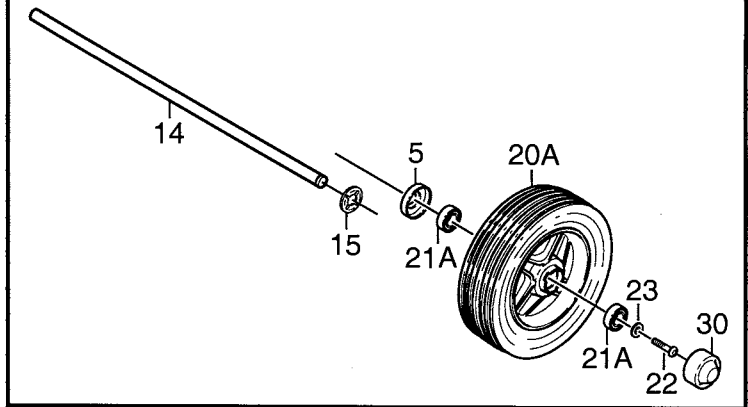
Utgåva Issue	Bildnr Picture No	HERKULES MB432 STYRE TRANSMISSION 4- SPEED	HERKULES MB432 HANDLE TRANSMISSION 4- SPEED	Sida Page					
2004-12	1592A			166					
Pos. Fig.	Antal/Quantity				Art nr Part No	Benämning	Description	Sats Kit	Anmärkning Notes
	1798								
1	1				1111-3112-01	Styre-överdel	Handlebar- upper part		
2	1				1111-3113-01	Styre-underdel	Handlebar- lower part		
3	2				1111-3021-01	Styrinfästning	Handlebar attachment		
4	2				1111-3024-01	Fästplatta	Attachment plate		
5	4				1111-3023-01	Låsrratt	Locking knob		
6	4				9795-3531-02	Mutter	Nut		
7	6				9699-0028-02	Planbricka	Flat washer		
8	2				1111-0178-00	Förstärkning	Reinforcement		
9	2				9899-3545-12	Skruv	Screw		L = 45 mm
10	2				9899-3557-12	Skruv	Screw		L = 57 mm
11	2				9939-0820-16	Skruv	Screw		
12	1				1111-3062-01	Ögla	Eyelink		
20	1				9948-0660-16	Skruv	Screw		L = 60 mm
21	1				9747-0631-02	Låsmutter	Lock nut		
22	1				1111-2953-01	Manöverbygel	Control handle		
23	1				1111-2968-03	Motorbromswire	Engine brake cable		
24	4				1111-2018-01	Kabelhållare	Cable holder		
25	4				9836-9216-12	Skruv	Screw		
26	1				1111-3351-01	Gasreglage	Throttle control		
27	1				9699-0060-02	Planbricka	Flat washer		
28	1				1111-2954-01	Manöverbygel	Control handle		
29	1				1111-3388-02	Kopplingswire	Clutch cable		
30	1				1111-2969-01	Wirefäste	Cable attachment		
31	1				1111-2971-06	Variatorreglage	Variator control		
31 A	1				1111-2941-01	• Reglageknopp	• Knob		
31 B	2				9838-9522-12	• Skruv	• Screw		
32	2				9838-9540-12	Skruv	Screw		
40	1				1111-2433-01	Motorremskiva	Engine belt pulley		
41	1				9910-0612-16	Stoppskruv	Set screw		
42	1				9585-0090-00	Drivrem	Drive belt		
44	1				1111-3396-01	Transmission	Transmission		
45	1				1111-3001-01	Variator	Variator assy		
46	1				9594-0026-00	Spännstift	Locating pin		
47	2				9404-0083-00	Tätningring	Seal ring		
48	2				1111-2382-01	Cyl.pinne	Pin		
49	2				9695-0013-00	Bricka	Washer		
50	2				1111-2829-01	Låsbricka	Lock washer		
51	2				1111-3256-01	Drivkil	Drive key		
52	2				1111-3230-01	Kuggjul- alum. hjul	Pinion- alum. wheel		
53	2				1111-2830-01	Stödbricka	Support washer		
54	2				9695-0013-00	Bricka	Washer		
55	2				9652-0010-04	Låsring	Snap ring		
60	1				9943-0650-16	Skruv	Screw		
61	1				1111-2942-01	Spännarm	Tension arm		
62	1				1111-2746-01	Remskiva	Belt pulley		
63	1				1111-2747-01	Spännrulle	Tension roller		
64	1				1111-3050-01	Stag	Bracket		
65	1				1111-2423-01	Distans	Spacer		
66	1				9838-9522-12	Skruv	Screw		
67	2				9947-0616-16	Skruv	Screw		
68	1				1111-2469-01	Fäste	Attachment		
70	1				9997-0630-12	Skruv	Screw		
71	1				9747-0631-02	Låsmutter	Lock nut		

12-1181-18



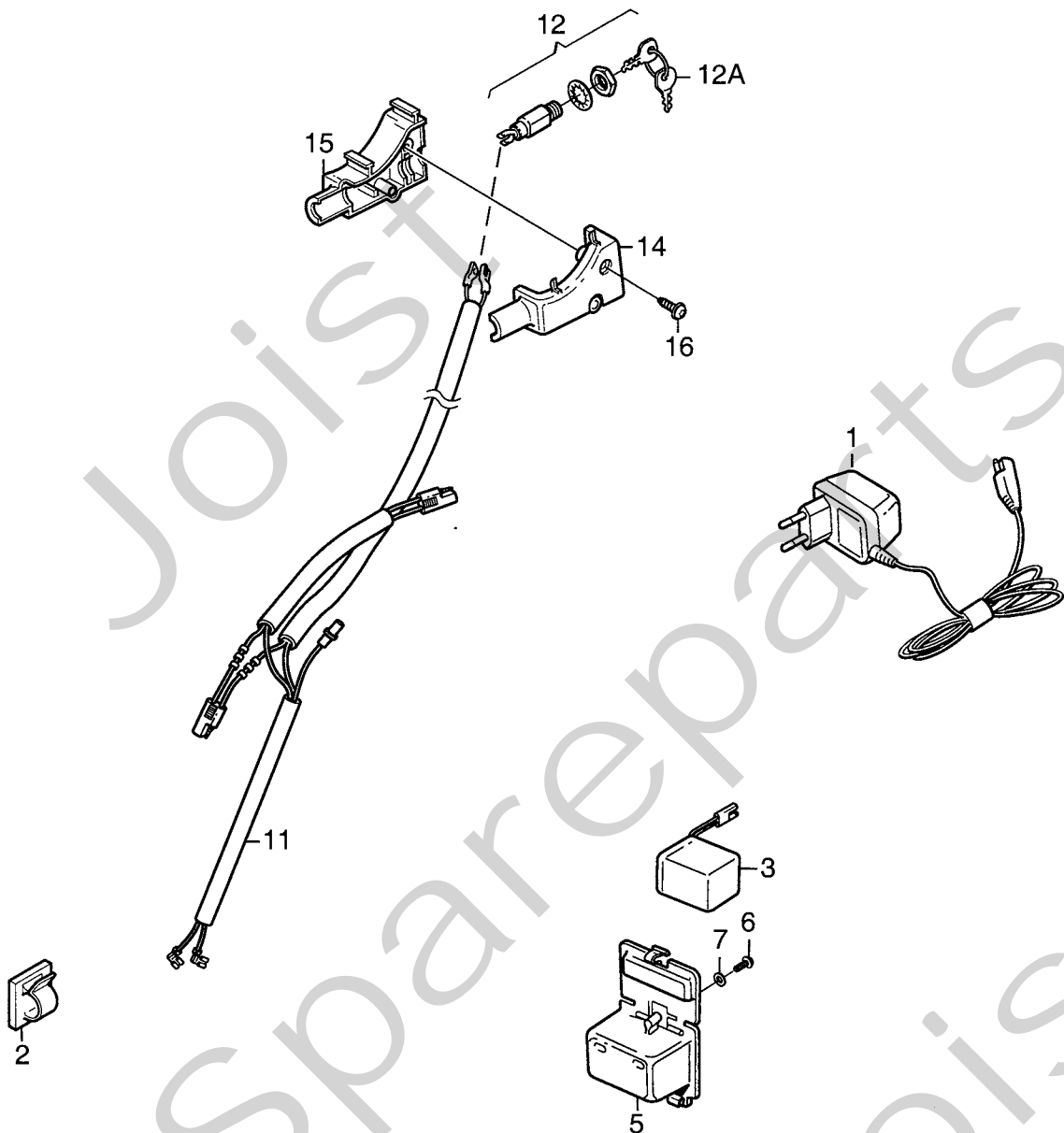
Utgåva Issue		Bildnr Picture No		TURBO 43- 43S COMBI HJULUPPHÄNGNING		TURBO 43-43S COMBI WHEEL SUSPENSION		Sida Page	
2004- 12		1427B						168	
Pos. Fig.	Antal/Quantity			Art nr Part No	Benämning	Description	Sats Kit	Anmärkning Notes	
	1103 1181	1203 1281							
1	2	2		1111-2784-01	Hjul kpl	Wheel assy			
2	2	2		1111-3296-01	• Kullager	• Ball bearing			
3	2	2		9943-0612-16	Skruv	Screw			
4	2	2		9699-0100-02	Bricka	Washer			
5	2	2		1111-2785-01	Täckbricka	Wheel cover			
6	2	2		1111-1138-01	Fjäder	Spring			
7	1	1		1111-3466-03	Framaxel	Front axle			
8	2	2		1111-1504-01	Överfall	Retainer			
9	2	2		9947-0616-16	Skruv	Screw			
10	1	1		1111-3114-01	Bakaxel	Rear axle			
11	2	2		1111-2814-01	Bussning	Bushing			
12	4	4		9947-0616-16	Skruv	Screw			
13	2			1111-2782-01	Täckbricka	Wheel cover			
14	1			1111-2924-02	Axel	Axle			
15	2			9675-0017-02	Starlock	Lock washer			
16		2		1111-3395-01	Täckplåt	Cover plate			
17		2		9943-0610-16	Skruv	Screw			
18		2		9699-0060-02	Planbricka	Flat washer			
19	2	2		1111-3060-01	Fjäder	Spring			
20	2	2		1111-2665-01	Hjul kpl	Wheel assy			
21	2	2		1111-3296-01	• Kullager	• Ball bearing			
22	2	2		9943-0612-16	Skruv	Screw			
23	2	2		9699-0100-02	Bricka	Washer			
24	1	1		1111-2816-01	Spak	Height adj.lever			
25	1	1		1111-2817-01	Handtag	Lever knob			
26	2	2		9943-0612-16	Skruv	Screw			
27	1	1		1111-2818-02	Dragstång	Height adjusting rod			
28	2	2		9675-0011-00	Starlock	Starlock			
29	1	1		1111-2819-01	Fjäder	Spring			
30	2	2		1111-3443-01	Navkapsel- silver	Hub cap- silver			
31	2	2		1111-3444-01	Navkapsel- silver	Hub cap- silver			

12-1586-88, 12-5586-91



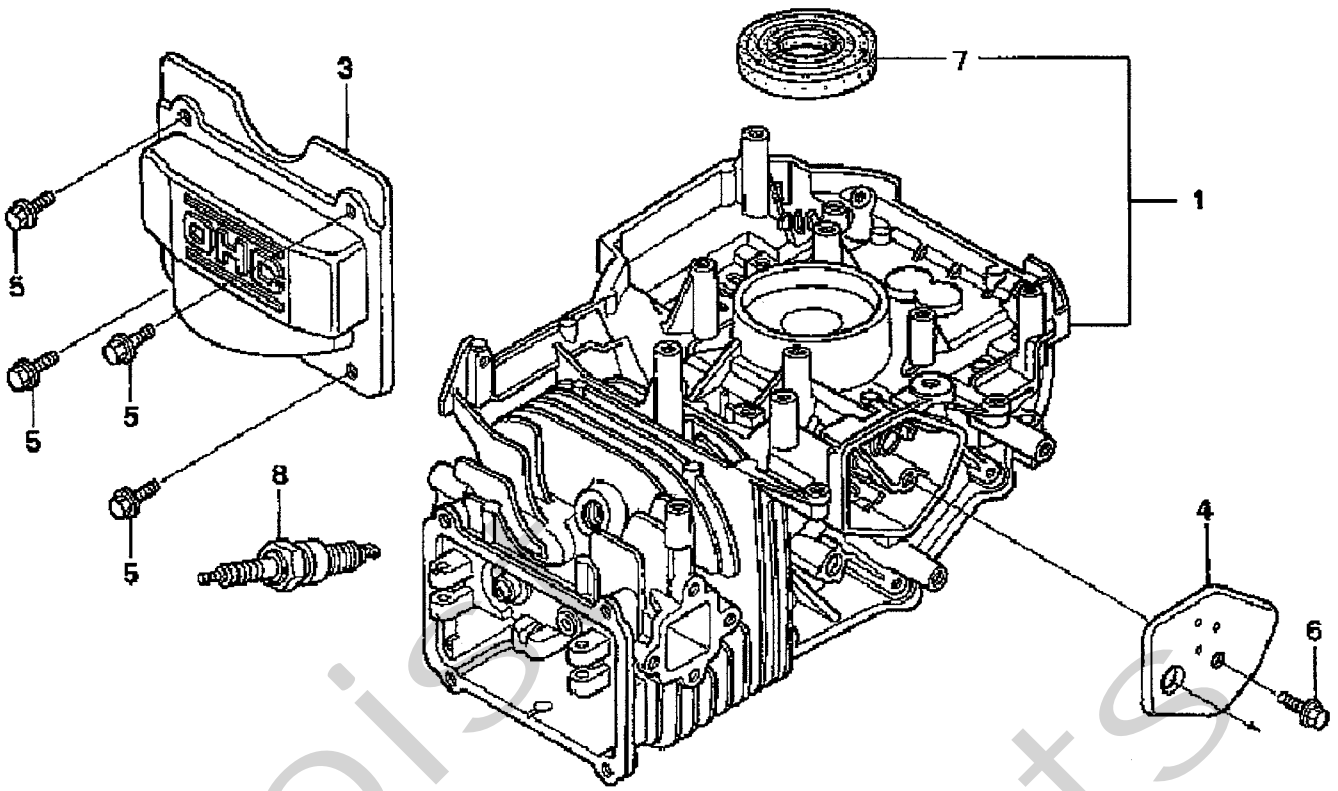
Utgåva Issue 2004-12		Bildnr Picture No 1431B		HERKULES MB432 HJULUPPHÄNGNING		HERKULES MB432 WHEEL SUSPENSION		Sida Page 170	
Pos. Fig.	Antal/Quantity			Art nr Part No	Benämning	Description	Sats Kit	Anmärkning Notes	
	1586	1686 1798							
1	2	2		1111-0817-03	Hjul utan lager	Wheel w/o bearing			
2	4	4		9549-0015-00	Kullager	Ball bearing			
3	2	2		9943-0620-16	Skruv	Screw			
4	2	2		9699-0100-02	Bricka	Washer			
5	4	2		1111-0466-00	Kullagertätning	Seal grease			
6	2	2		1111-1138-01	Fjäder	Spring			
7	1	1		1111-3466-03	Framaxel	Front axle			
8	2	2		1111-1504-01	Överfall	Retainer			
9	2	2		9947-0616-16	Skruv	Screw			
10	1	1		1111-3114-01	Bakaxel	Rear axle			
11	2	2		1111-2814-01	Bussning	Bushing			
12	4	4		9947-0616-16	Skruv	Screw			
14	1			1111-2924-02	Axel	Axle			
15	2			9675-0017-02	Starlock	Lock washer			
16		2		1111-3229-01	Täckplåt	Cover plate			
19	2	2		1111-3060-01	Fjäder	Spring			
20A	2			1111-0817-04	Hjul utan lager	Wheel w/o bearing			
20B		2		1111-2346-01	Hjul utan lager	Wheel w/o bearing			
21A	4			9549-0015-00	Kullager	Ball bearing			
21B		4		9549-0001-00	Kullager	Ball bearing			
22	2	2		9943-0620-16	Skruv	Screw			
23	2			9699-0100-02	Bricka	Washer			
24	1	1		1111-2816-01	Spak	Height adj.lever			
25	1	1		1111-2817-01	Handtag	Lever knob			
26	2	2		9943-0612-16	Skruv	Screw			
27	1	1		1111-2818-02	Dragstång	Height adjusting rod			
28	2	2		9675-0011-00	Starlock	Starlock			
29	1	1		1111-2819-01	Fjäder	Spring			
30	4	2		1111-1506-01	Navkapsel	Hub cap			
31		2		1111-2077-01	Navkapsel	Hub cap			
32		2		1111-2109-01	Kuggkrans	Gear ring			
33		8		9841-0410-16	Skruv	Screw			
34		2		1111-2423-01	Distans	Spacer			
35		2		1111-3627-01	Distans	Spacer			

X

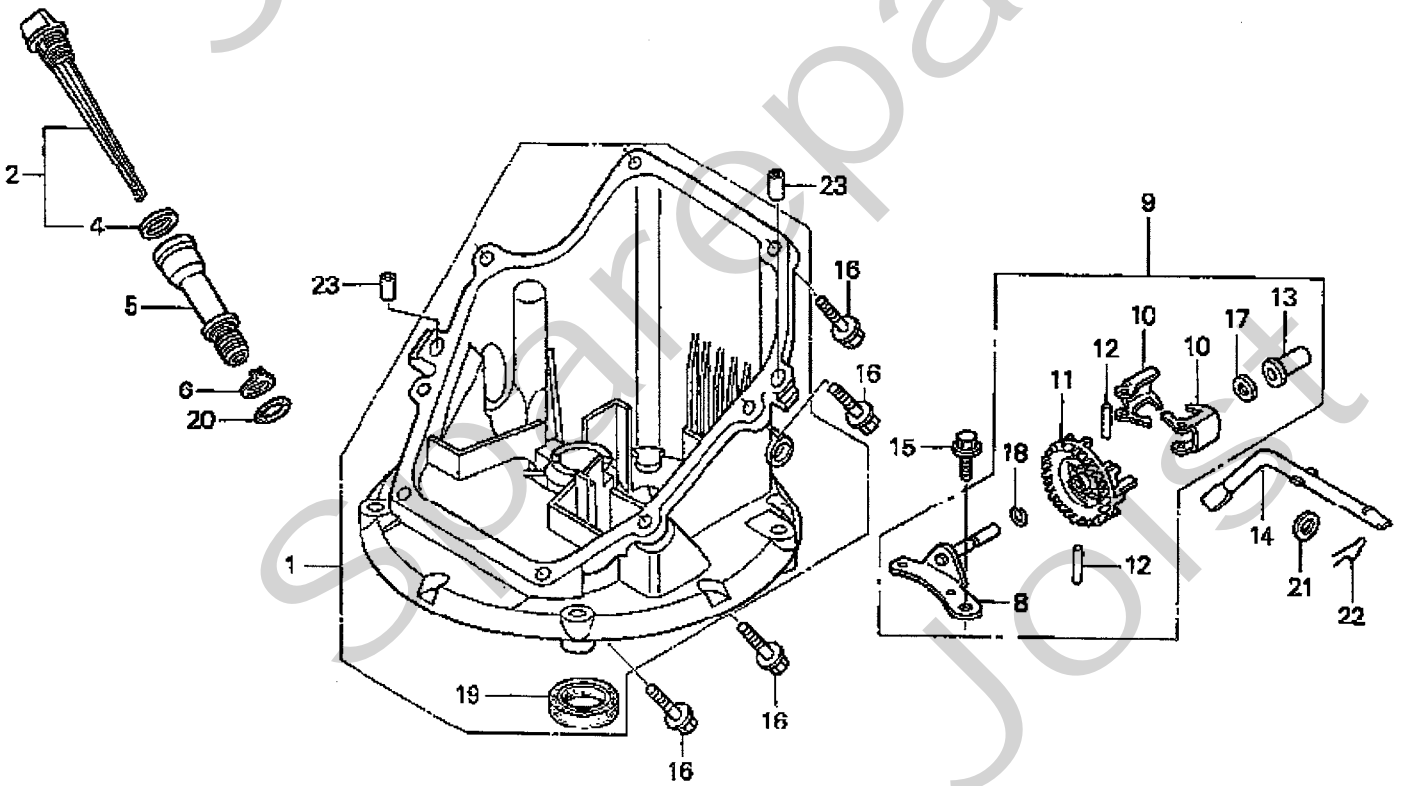


Utgåva Issue		Bildnr Picture No		HERKULES MB432 SBVE ELSTART		HERKULES MB432 SBVE ELECTRIC STARTER		Sida Page	
2004-12		1605						172	
Pos. Fig.	Antal/Quantity			Art nr Part No	Benämning	Description	Sats Kit	Anmärkning Notes	
	1798								
1	1			9400-0219-00	Batteriladdare	Charger			
2	1			9401-0200-00	Kabelhållare	Cable holder			
3	1			1111-3558-01	Batteri	Battery			
5	1			1111-3339-01	Batteribox	Battery holder			
6	1			9838-9220-12	Skruv	Screw			
7	1			9699-0060-02	Planbricka	Flat washer			
11	1			1111-3344-02	Kabelhärva	Harness			
12	1			9400-0186-00	Tändningslås kpl.	Starting switch assy			
12A	1			1134-2848-01	• Tändningsnyckel	• Ignition key			
14	1			1111-2705-01	Lock	Cover			
15	1			1111-2707-01	Hus	Housing			
16	2			9838-9522-12	Skruv	Screw			

A

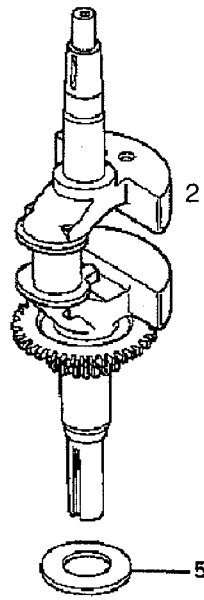


B

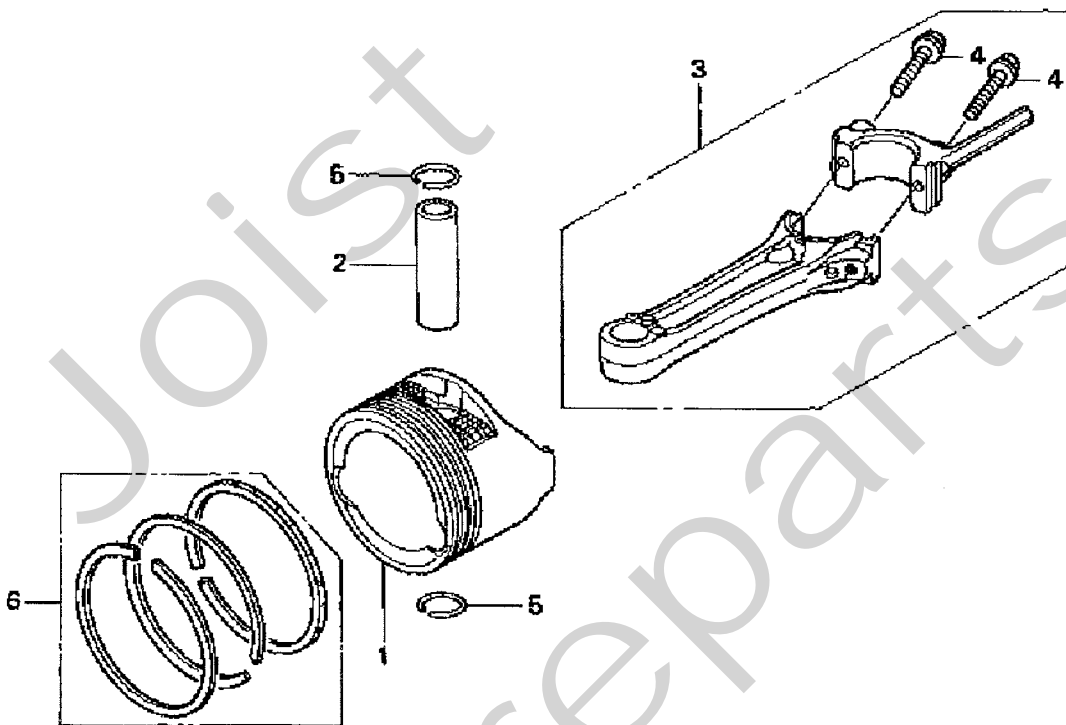


Utgåva Issue 2004-12		Bildnr Picture No 956B		HONDA GCV 135, 160 CYLINDER VEVHUS		HONDA GCV 135, 160 CYLINDER CRANKCASE		Sida Page 442	
Pos. Fig.	Antal/Quantity			Art nr Part No	Benämning	Description	Sats Kit	Anmärkning Notes	
	GCV 135E A2G4	GCV 160E A2G4	GCV 160E S1E1						
		1	1	12000ZL8415	Cylinder	Cylinder		Champion RN9YC	
	1			12000ZL9415	Cylinder	Cylinder			
	1	1	1	12311ZL8000	Lock	Cover			
	1	1	1	12355ZL8000	Lock	Cover			
	4	4	4	90013883000	Bult	Bolt			
	1	1	1	90014952000	Bult	Bolt			
	1	1	1	91201ZL8003	• Tätningring	• Oil seal			
	1	1	1	9400-0289-01	Tändstift	Spark plug			
X	1	1		11300ZM0405	Vevhus	Oil pan			
			1	11300ZM0811	Vevhus	Oil pan			
X	1	1	1	15650ZOM800	Oljesticka	Oil dipstick			
	1	1	1	15625ZE6000	• Packning	• Gasket			
	1	1	1	15631ZM0000	Oljepåfyllningsrör	Oil filler extension			
	1	1	1	15639ZM0000	Bricka	Washer			
	1	1	1	16508ZM0010	• Axel	• Shaft			
	1	1	1	16510ZM0010	Regulator kpl	Governor assy			
	2	2	2	16511ZL8000	• Vikt	• Weight			
	1	1	1	16512ZM0000	• Vikthållare	• Weight holder			
	2	2	2	16513ZE1000	• Stift	• Pin			
	1	1	1	16531ZE1000	• Glidhylsa	• Slider			
	1	1	1	16541ZM0000	Regulatorarm	Shaft			
	1	1	1	90014952000	Bult	Bolt			
	8	8	8	90121952000	Bult	Bolt			
	1	1	1	90451ZE1000	• Bricka	• Washer			
	1	1	1	90602ZE1000	• Låsring	• Clip			
	1	1	1	91202ZL8003	• Tätningring	• Oil seal			
	1	1	1	91303ZOM003	O-ring	O-ring			
	1	1	1	9410106800	Bricka	Washer			
	1	1	1	9425108000	Låspinne	Lock pin			
	2	2	2	9430108200	Styrpinne	Dowel pin			

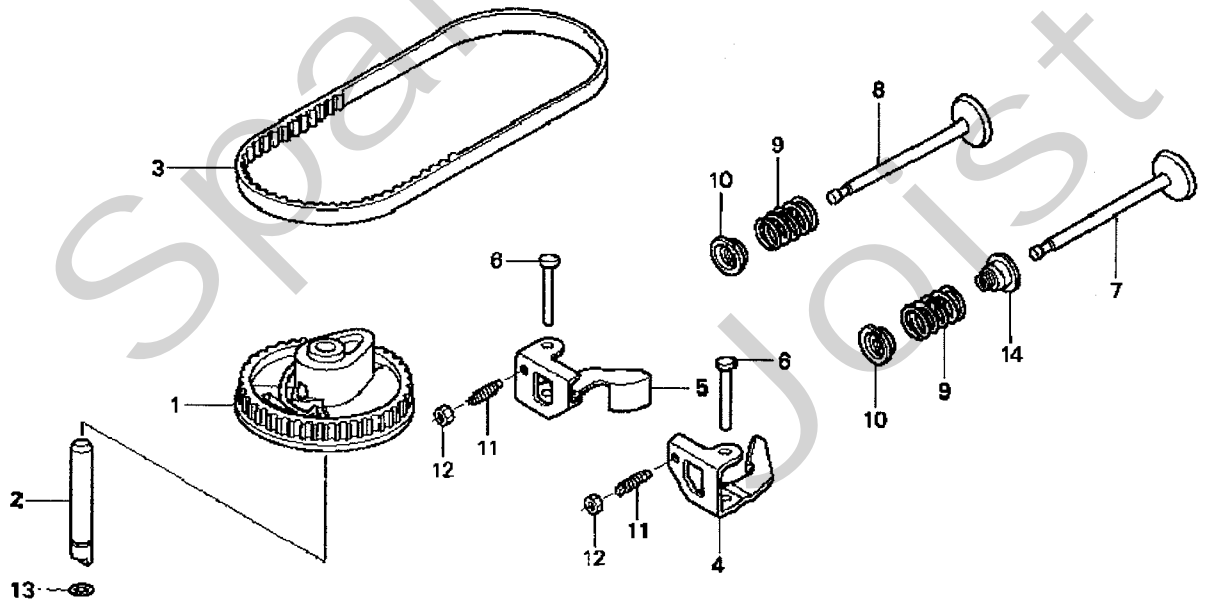
A



B

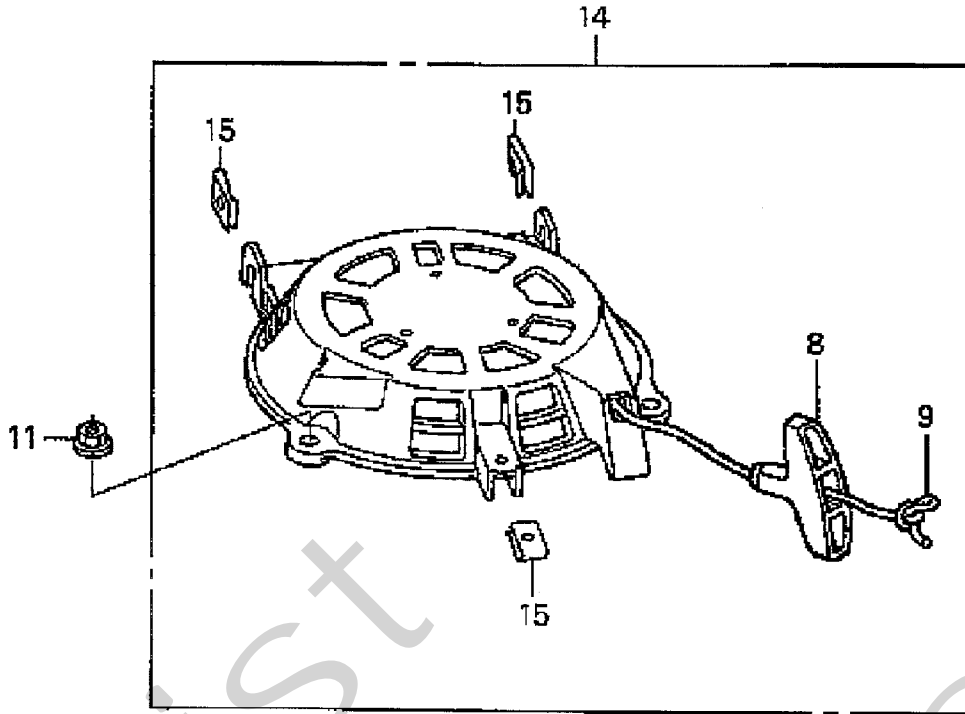


C

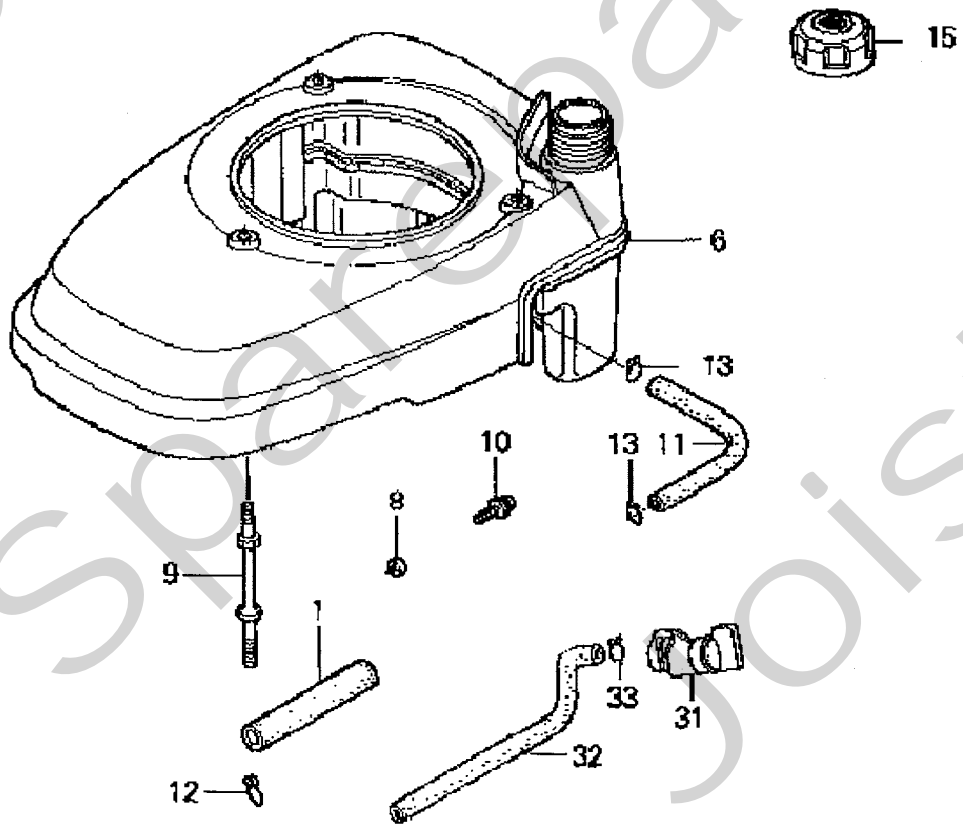


Utgåva Issue		Bildnr Picture No		HONDA GCV 135, 160 VEVAXEL KAMAXEL		HONDA GCV 135, 160 CRANKSHAFT CAMSHAFT		Sida Page
2004-12		957A						444
Pos. Fig.	Antal/Quantity			Art nr Part No	Benämning	Description	Sats Kit	Anmärkning Notes
	GCV 135E A2G4	GCV 160E A2G4	GCV 160E S1E1					
X	A02			1	13310ZM0000	Vevaxel	Crankshaft	
	A02			1	13310ZM0600	Vevaxel	Crankshaft	
	A02	1			13310ZM1600	Vevaxel	Crankshaft	
	A05	1	1	1	90402ZL8000	Bricka	Washer	
	B01	1	1	1	13101ZL8000	Kolv	Piston	
	B02	1	1	1	13111ZE0000	Kolvbult	Piston pin	
	B03		1	1	13200ZL8000	Vevstake	Connecting rod	
	B03	1			13200ZL9000	Vevstake	Connecting rod	
	B04	2	2	2	90001ZE1000	• Bult	• Bolt	
	B05	2	2	2	90551ZE0000	Låsring	Clip	
	B06	1	1	1	13010ZL8003	Kolvringsatts	Ring set	
X	B06	1	1	1	13010ZL8024	Kolvringsatts	Ring set	Riken Teikoku
X	C01	1	1	1	14320ZL8010	Remskiva	Pulley	
	C02	1	1	1	14324ZL8000	Axel	Shaft	
X	C03		1	1	14400ZL8013	Kamrem	Belt	
X	C03	1			14400ZL9013	Kamrem	Belt	
X	C04	1	1	1	14431Z0J000	Vipparm- insug	Valve rocker arm- in	
X	C05	1	1	1	14441Z0J000	Vipparm- utblås	Valve rocker arm- ex	
	C06	2	2	2	14461ZL8000	Axel	Shaft	
	C07	1	1	1	14711ZL8000	Insugningsventil	Intake valve	
	C08	1	1	1	14721ZL8000	Utblåsningsventil	Exhaust valve	
	C09	2	2	2	14751ZL8000	Ventilfjäder	Valve spring	
	C10	2	2	2	14771ZE1000	Ventilfjäderhållare	Valve spring retainer	
	C11	2	2	2	90012333000	Justerskruv	Adjusting screw	
	C12	2	2	2	90206001000	Mutter	Nut	
	C13	1	1	1	91301Z0M003	O-ring	O-ring	
X	C14	1	1	1	12209ZM0003	Tätning	Seal	

A

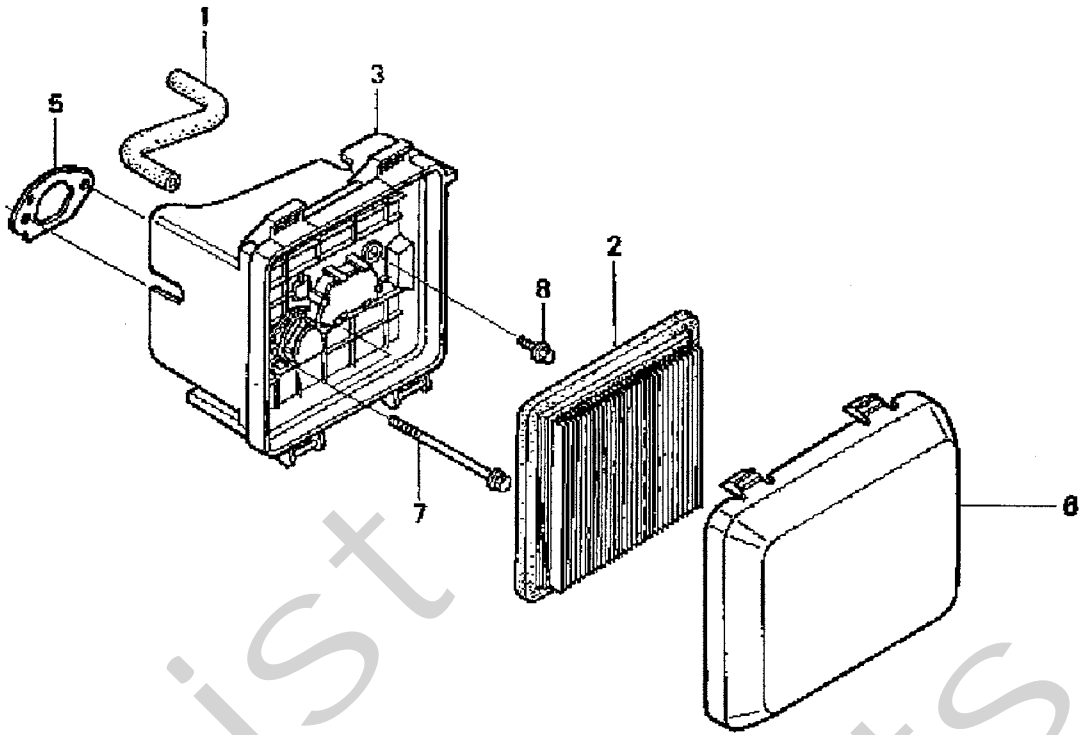


B

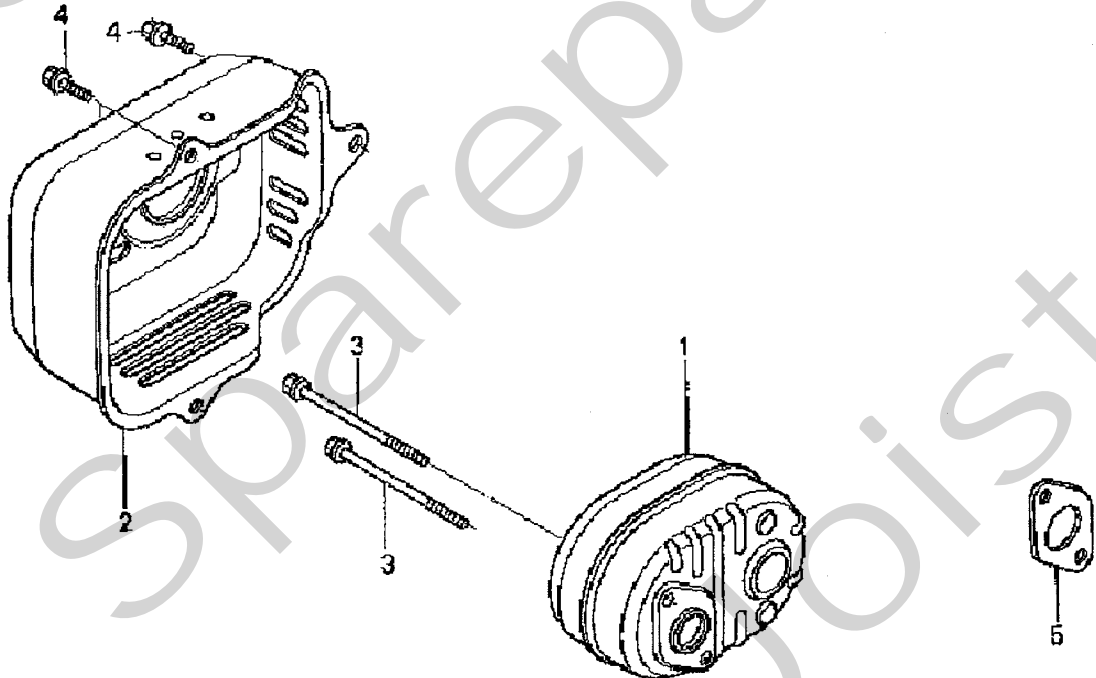


Utgåva Issue		Bildnr Picture No			HONDA GCV 135, 160 START BRÄNSLETANK		HONDA GCV 135, 160 RECOIL STARTER FUEL TANK		Sida Page	
2004-12		958A							446	
Pos. Fig.	Antal/Quantity			Art nr Part No	Benämning	Description	Sats Kit	Anmärkning Notes		
	GCV 135E A2G4	GCV 160E A2G4	GCV 160E S1E1							
X	A08	1	1	1	28461ZL8003	• Handtag	• Grip			
	A09	1	1	1	28462ZL8003	• Startsnöre	• Starter rope			
	A11	3	3	3	90201ZM0000	Mutter	Nut			
X	A14	1	1	1	28400Z0M800	Start kpl	Starter assy			
X	A15	3	3	3	66871KY2700	• Mutter	• Nut			
	B01	1	1	1	16854ZH8000	Gummistöd	Rubber supporter			
X	B06A	1			19610Z0M000	Bränsletank kpl	Fuel tank assy			ZB *NH1*
X	B06B	1			19610Z0M000	Bränsletank kpl	Fuel tank assy			ZC *R280*
X	B06C		1		19610Z1L000	Bränsletank kpl	Fuel tank assy			ZA *NH1*
X	B06D		1		19610Z1L000	Bränsletank kpl	Fuel tank assy			ZB *R280*
X	B06E			1	19610Z1L800	Bränsletank kpl	Fuel tank assy			ZA *NH1*
	B08	1	1	1	33609GK4620	Hylsa	Collar			
	B09	3			90041ZL9000	Pinnbult	Stud bolt			
	B09		3	3	90043ZL8000	Pinnbult	Stud bolt			
	B10	1	1	1	938910501008	Skruv	Screw			
	B11	1			950015513540	Bränslerör	Fuel tube			5.3 x 135
	B11		1	1	950015515040	Bränslerör	Fuel tube			5.3 x 150
	B12	1	1	1	9500202080	Slangklämma	Tube clip			
	B13	2	2	2	9500202100	Slangklämma	Tube clip			
X	B15	1	1	1	17620Z0M000	Tanklock	Tank cap			
X	B31	1	1	1	16950ZM0003	Bensinkran	Fuel cock			
X	B32	1	1	1	17702ZM0800	Bränsleslang	Fuel tube			
	B33	1	1	1	9500202080	Slangklämma	Tube clip			

A

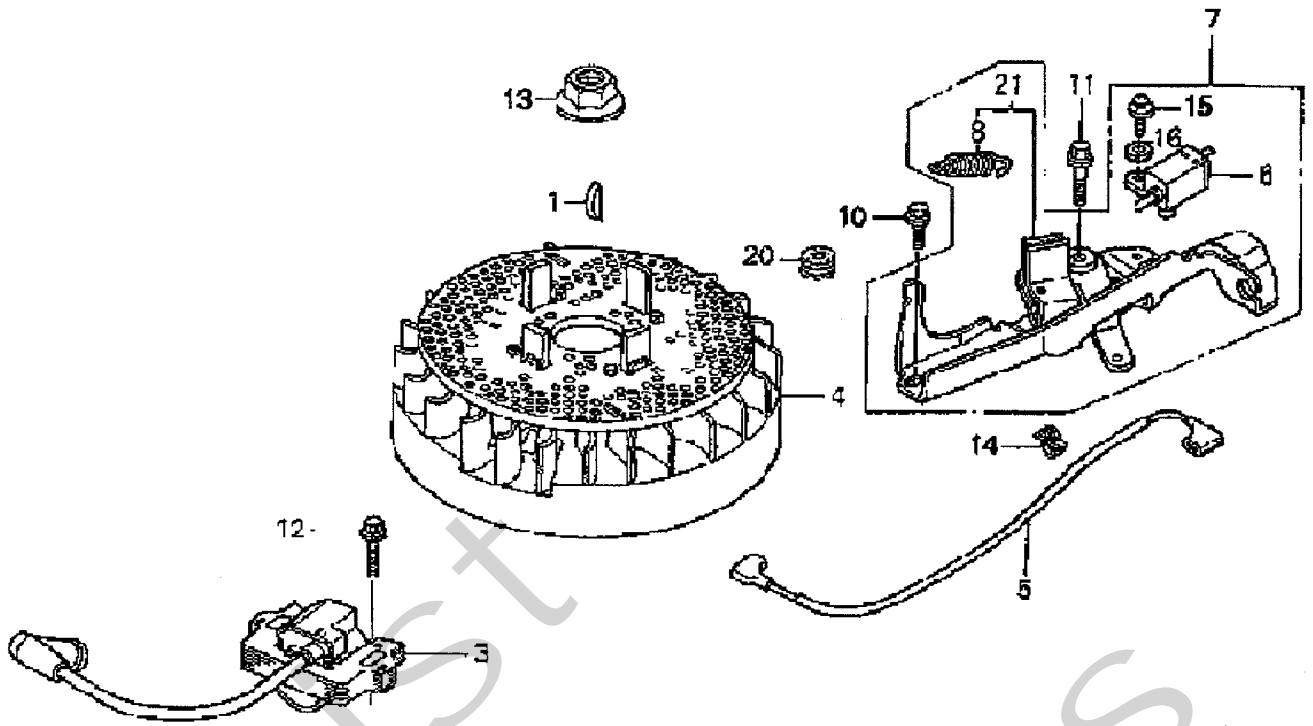


B

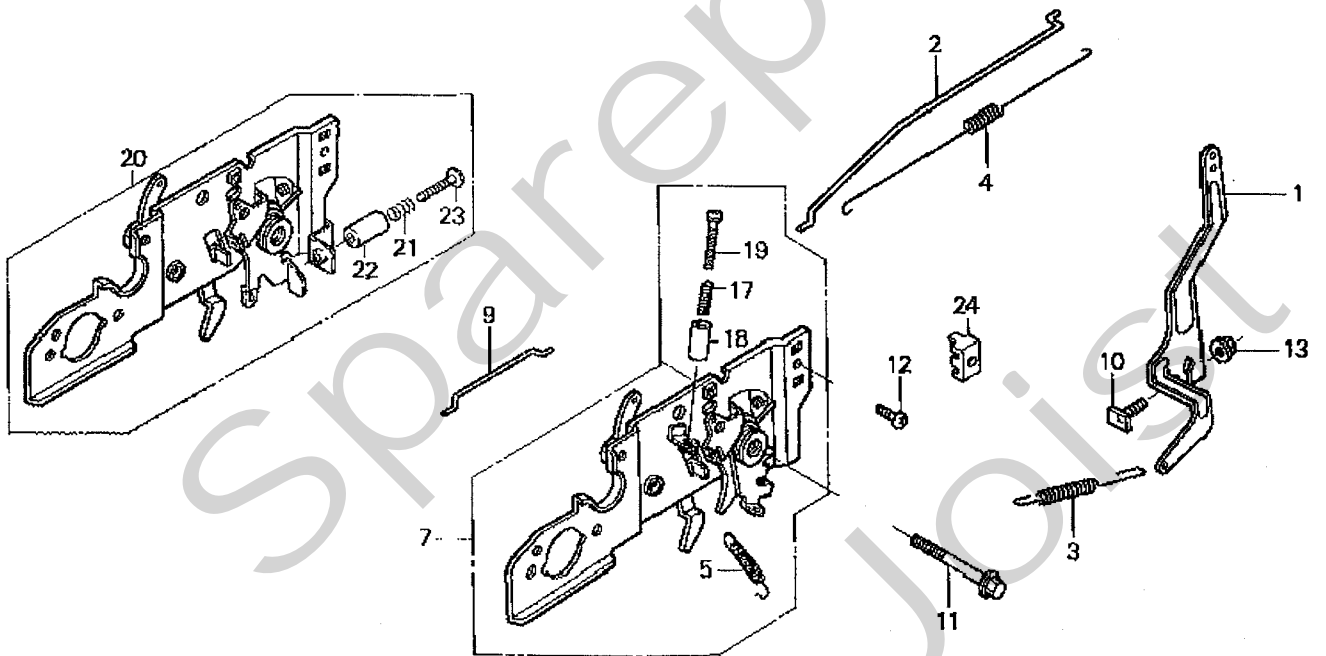


Utgåva Issue		Bildnr Picture No		HONDA GCV 135, 160 LUFTFILTER LJUDDÄMPARE		HONDA GCV 135, 160 AIR CLEANER MUFFLER		Sida Page
Pos. Fig.	Antal/Quantity			Art nr Part No	Benämning	Description	Sats Kit	Anmärkning Notes
	GCV 135E A2G4	GCV 160E A2G4	GCV 160E S1E1					
	A01		1	1	15721ZM0000	Ventilationsrör	Breather tube	
	A01	1			15721ZM1000	Ventilationsrör	Breather tube	
	A02	1	1	1	17211ZL8003	Filterelement	Air cleaner element	
	A03	1	1	1	17220ZM0000	Luftrenarhus	Air cleaner case	
	A05	1	1	1	17228ZM0000	Packning	Gasket	
X	A06	1	1	1	17231Z0L020	Kåpa	Cover	
	A07	2	2	2	90003ZM0000	Bult	Bolt	
	A08	1	1	1	957010601408	Bult	Bolt	
	B01	1	1	1	18310ZM0000	Ljuddämpare	Muffler	
	B02	1	1	1	18321ZL8000	Skydd	Protector	
	B03	2	2	2	90004ZL8000	Bult	Bolt	
	B04	3	3	3	90013883000	Bult	Bolt	
X	B05	1	1	1	18381ZL8305	Packning	Gasket	

A

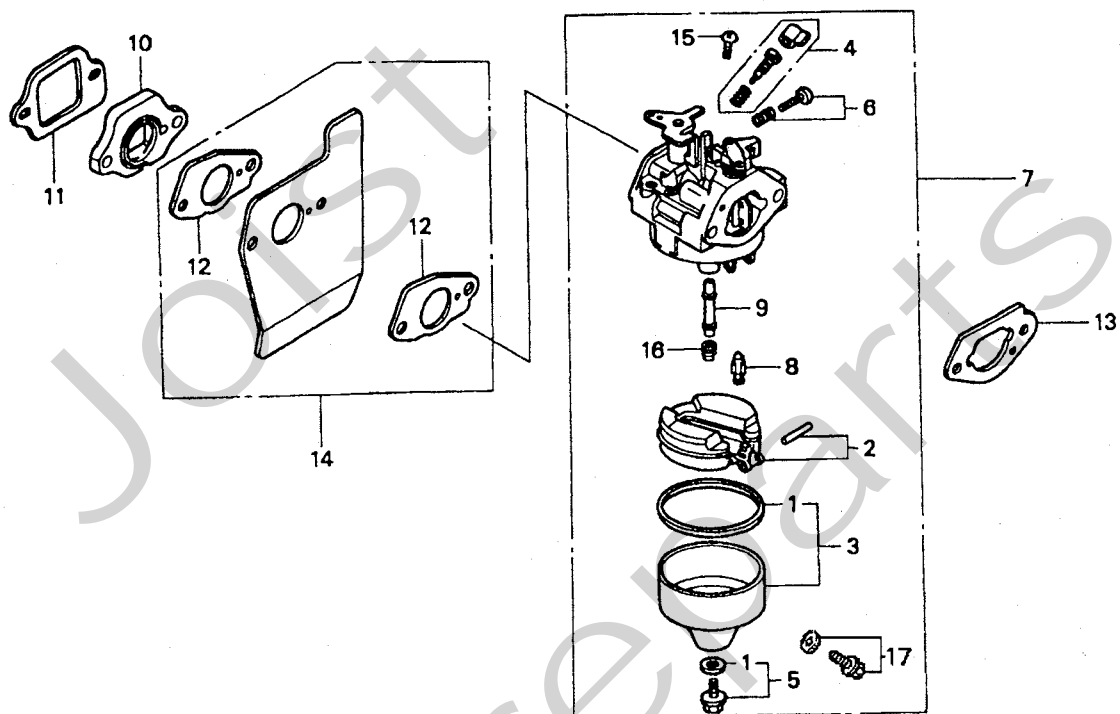


B



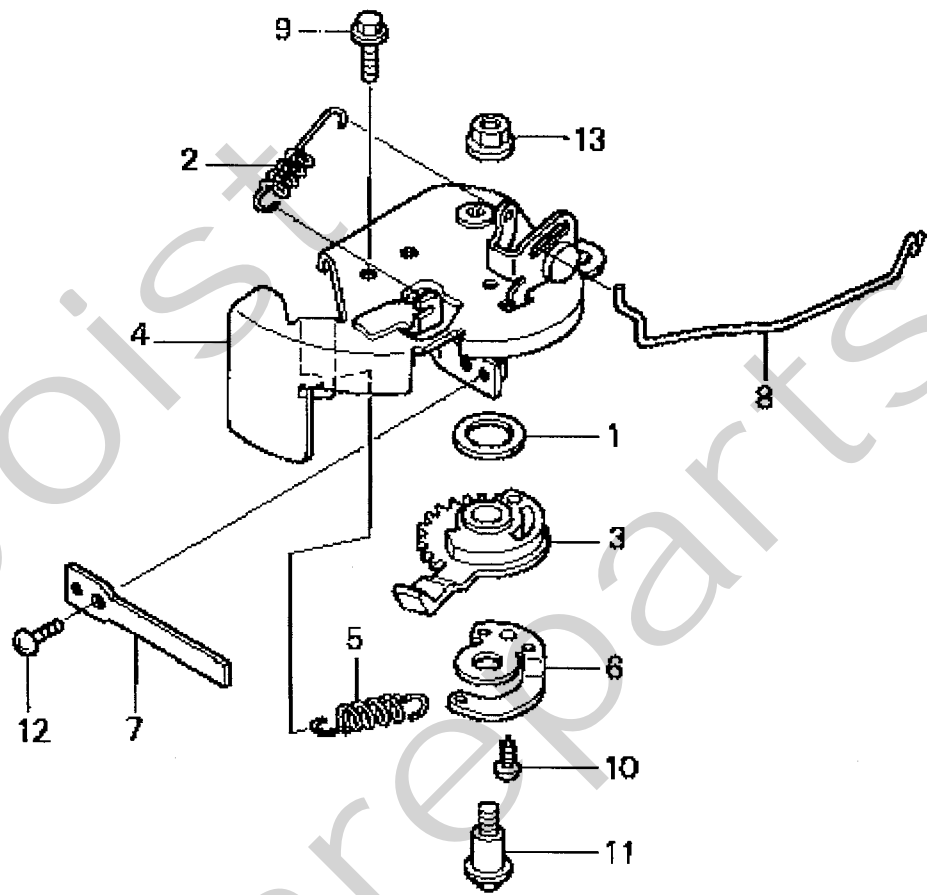
Utgåva Issue		Bildnr Picture No		HONDA GCV 135, 160 SVÄNGHJUL REGULATOR		HONDA GCV 135, 160 FLYWHEEL CONTROL		Sida Page
2004-12		960A						450
Pos. Fig.	Antal/Quantity			Art nr Part No	Benämning	Description	Sats Kit	Anmärkning Notes
	GCV 135E A2G4	GCV 160E A2G4	GCV 160E S1E1					
X	A01	1	1	1	13331357000	Kil	Key	
	A03	1	1	1	30500ZL8004	Tändspole	Ignition coil	
	A04		1	1	31105ZM0000	Svängjul	Flywheel	
	A04	1			31105ZM1000	Svängjul	Flywheel	
	A05	1	1		32195ZM0000	Kabel	Cord	
X	A05			1	32195ZM0800	Kabel	Cord	
	A06	1	1	1	35120ZM0003	• Stoppkontakt	• Stop switch	
	A07	1	1		75100ZM0000	Broms kpl	Brake assy	
	A08	1	1	1	75113ZM0000	• Fjäder	• Spring	
	A10	1	1	1	90014952000	Bult	Bolt	
	A11	1	1	1	90018ZE1000	Bult	Bolt	
	A12	1	1	1	90022888010	Bult	Bolt	
	A13	1	1	1	90201878003	Mutter	Nut	
	A14	1	1	1	90681959003	Kabelklämma	Cable clip	
	A15	1	1	1	938920401200	• Skruv	• Screw	
	A16	1	1	1	9410304000	• Bricka	• Washer	
X	A20			1	11344MB0000	Hylsa	Grommet	
X	A21			1	75110Z0L800	Broms kpl	Brake assy	
	B01	1	1	1	16551ZM0010	Regulatorarm	Governor arm	
X	B02			1	16555Z0L800	Regulatorlänk	Governor rod	
	B02		1		16555ZM0000	Regulatorlänk	Governor rod	
	B02	1			16555ZM1000	Regulatorlänk	Governor rod	
X	B03	1			16561Z0M870	Regulatorfjäder	Governor spring	
X	B03		1	1	16561Z1L870	Regulatorfjäder	Governor spring	
	B04		1	1	16562ZM0000	Returfjäder	Return spring	
	B04	1			16562ZM1000	Returfjäder	Return spring	
	B05	1	1		16576ZE7300	• Fjäder	• Lever spring	
X	B07	1	1		16580ZM0871	Reglageplatta	Control base	
	B09	1	1		16674ZM0000	Chokelänk	Choke rod	
	B10	1	1	1	90015ZE5010	Bult	Bolt	
	B11	1	1	1	90016ZM0000	Bult	Bolt	
	B12	1	1		93500050160A	Skruv	Screw	
	B13	1	1	1	9405006000	Mutter	Nut	
	B17	1	1		16584883300	• Fjäder	• Spring	
X	B18	1	1		16599ZG1M10	• Hylsa	• Collar	
X	B19	1	1		90016ZE7W00	• Skruv	• Screw	
X	B20			1	16580Z0M810	Reglageplatta	Control base	
	B21			1	16584883300	• Fjäder	• Spring	
X	B22			1	16599ZG1M10	• Hylsa	• Collar	
X	B23			1	90016ZE7W00	• Skruv	• Screw	
X	B24	1	1		16617VG3000	Kabelhållare	Cable holder	

A




Utgåva Issue 2004-12		Bildnr Picture No 961A			HONDA GCV 135, 160 FÖRGASARE		HONDA GCV 135, 160 CARBURETTOR		Sida Page 452
Pos. Fig.	Antal/Quantity			Art nr Part No	Benämning	Description	Sats Kit	Anmärkning Notes	
	GCV 135E A2G4	GCV 160E A2G4	GCV 160E S1E1						
A01	1	1	1	16010883015	•• Packningssats	•• Gasket set			
A02	1	1	1	16013ZL1003	• Flottörsats	• Float set			
A03	1	1	1	16015887782	• Flottörhus	• Float chamber			
A04	1	1	1	16016ZGOW00	• Justerskruv	• Set screw			
A05	1	1	1	16028ZE0005	• Skruv	• Screw			
A06	1	1	1	16029ZG0901	• Justerskruv	• Set screw			
X A07			1	16100ZOL801	Förgasare kpl	Carburettor assy		BB62G A	
A07		1		16100ZM0803	Förgasare kpl	Carburettor assy		BB62B D	
A07	1			16100ZM1822	Förgasare kpl	Carburettor assy		BB64F A	
A08	1	1	1	16155ZM0003	• Ventil	• Valve			
A09		1	1	16166ZM0003	• Munstycke	• Main nozzle			
A09	1			16166ZM1003	• Munstycke	• Main nozzle			
A10	1	1	1	16211ZL8000	Isolator	Insulator			
A11	1	1	1	16212ZL8000	Packning	Gasket			
A12	1	1	1	16221883800	• Packning	• Gasket			
A13	1	1	1	16228ZL8000	Packning	Gasket			
A14	1	1	1	19650ZM0000	Luftplåt	Air guide			
A15	1	1	1	93500050061H	• Skruv	• Screw			
A16	1			991011240580	• Munstycke	• Main jet		#58	
A16	1	1	1	991011240600	• Munstycke	• Main jet		#60	
A16	1	1	1	991011240620	• Munstycke	• Main jet		#62	
A16	1	1	1	991011240650	• Munstycke	• Main jet		#65	
A17	1	1	1	16024ZE1811	• Dräneringsskruv	• Drain screw			

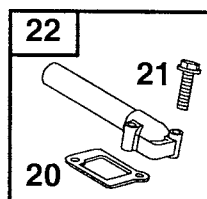
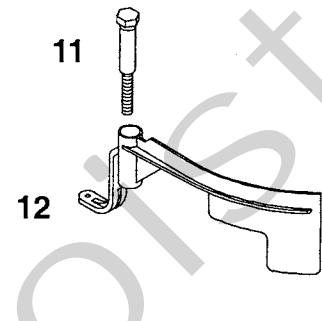
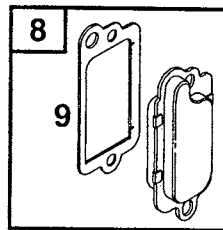
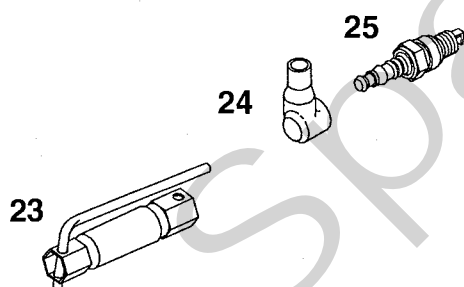
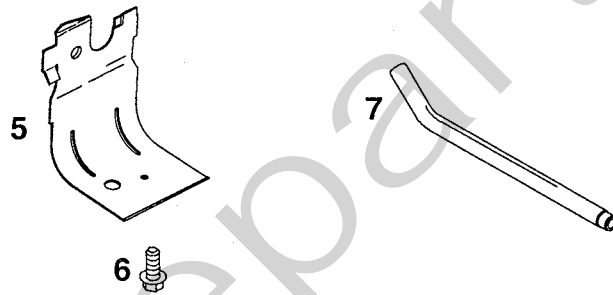
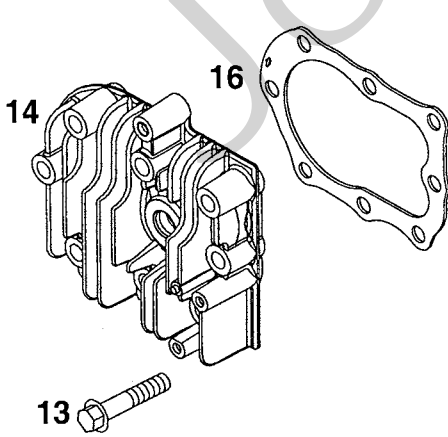
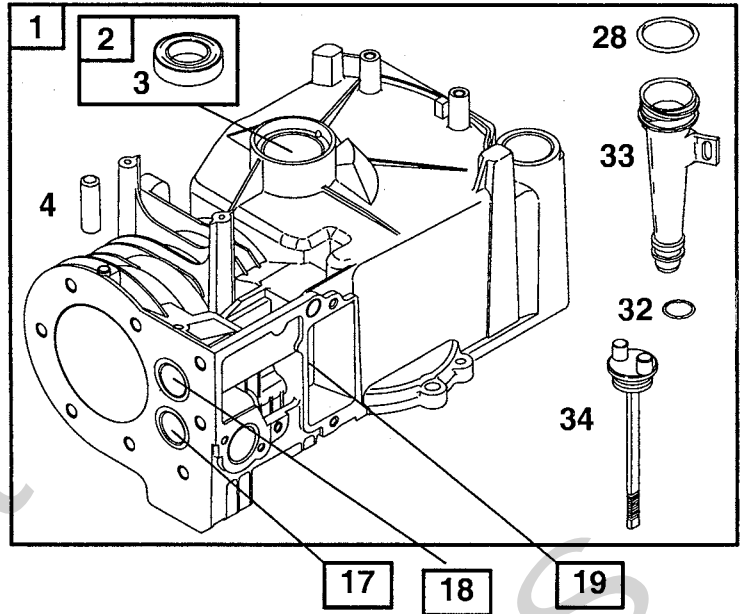
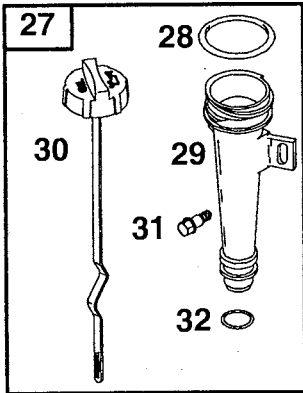
A



Utgåva Issue		Bildnr Picture No		HONDA GCV 160 CHOKE		HONDA GCV 160 CHOKE		Sida Page
2004-12		1744						454
Pos. Fig.	Antal/Quantity			Art nr Part No	Benämning	Description	Sats Kit	Anmärkning Notes
	GCV 160E S1E1							
X	A01	1		16251Z0L800	Tätning	Seal		
X	A02	1		16592ZJ1000	Fjäder.....	Spring		
X	A03	1		16612Z0L800	Chokearm	Choke lever		
X	A04	1		16613Z0L800	Chokefäste.....	Choke base		
X	A05	1		16614Z0L800	Fjäder.....	Spring		
X	A06	1		16616Z0L800	Fjäderkrok.....	Spring hook		
X	A07	1		16619Z0L800	Chokeplatta.....	Choke plate		
X	A08	1		16632Z0L800	Reglagestång.....	Stop rod		
X	A09	1		90022888000	Flänsskruv	Flange bolt		
X	A10	1		90102SP1003	Skruv	Screw		
X	A11	1		90141KT8000	Skruv	Screw		
X	A12	1		9350004008H	Skruv	Screw		
X	A13	1		9405005000	Mutter.....	Nut		

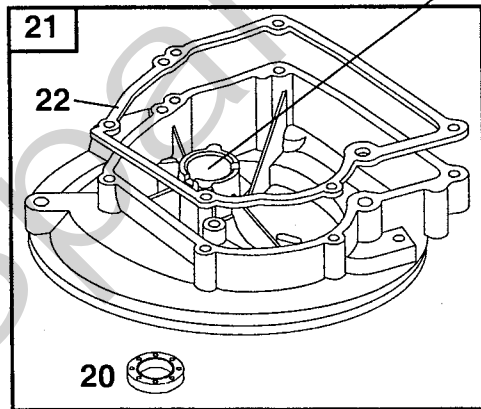
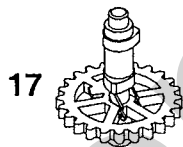
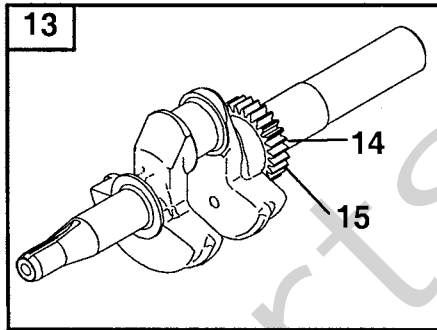
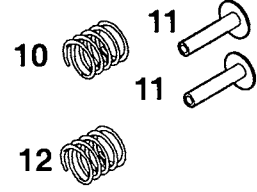
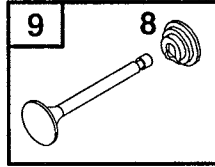
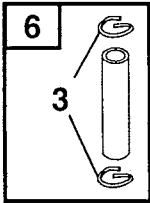
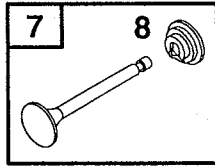
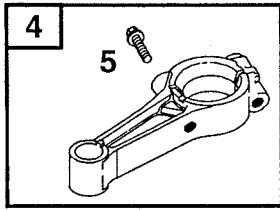
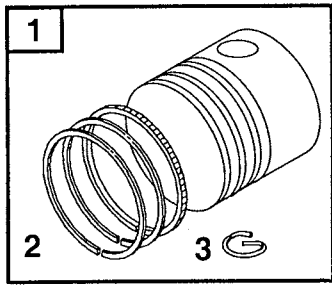
A

15 



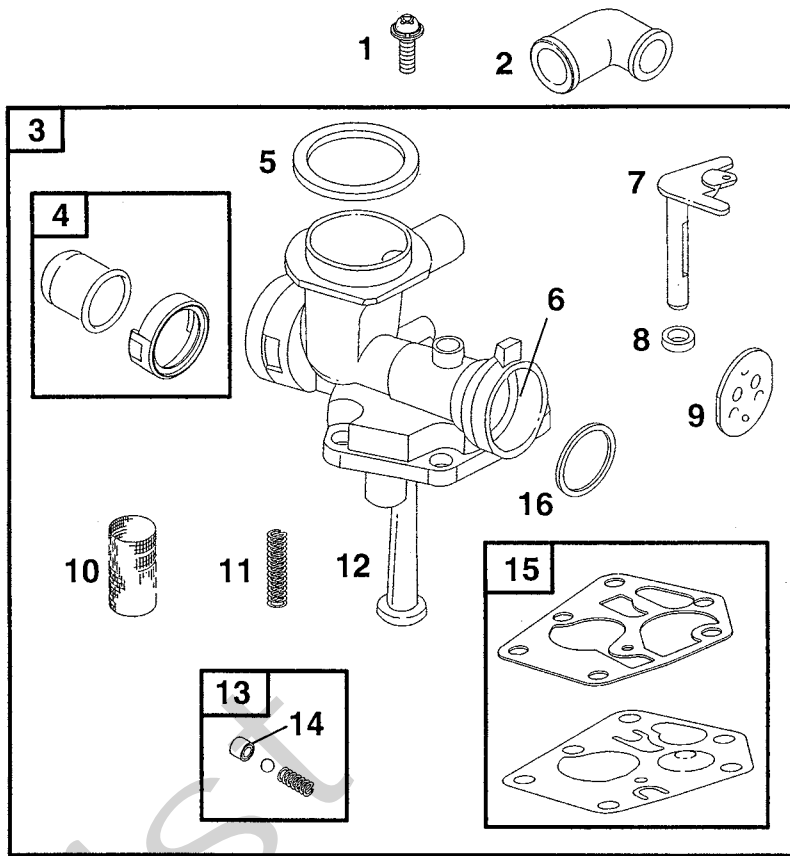
Utgåva Issue 2004-12		Bildnr Picture No 1476		BRIGGS & STRATTON 10D902 CYLINDER		BRIGGS & STRATTON 10D902 CYLINDER		Sida Page 384
Pos. Fig.	Antal/Quantity			Art nr Part No	Benämning	Description	Sats Kit	Anmärkning Notes
	10D 902- 0141	10D 902- 0153						
X	A01	1		399164	Cylinder kpl.....	Cylinder assy.....		
	A01		1	699653	Cylinder kpl.....	Cylinder assy.....		
	A02	1	1	399269	• Bussning.....	• Bushing.....		
	A03	1	1	299819	• Tätningring.....	• Oil seal.....	S	
	A04	2	2	690959	• Tapp.....	• Locating pin.....		
	A05	1	1	690400	Skyddsplåt.....	Cylinder shield.....		
	A06	1	1	690345	Skruv.....	Screw.....		
	A07	1	1	691245	Rör.....	Breather tube.....		
	A08	1		495785	Vevhusventilation.....	Breather.....		
X	A08		1	699640	Vevhusventilation.....	Breather.....		
	A09	1		272602	• Packning.....	• Gasket.....	S	
	A09		1	695890	• Packning.....	• Gasket.....	S	
	A10	2	2	691666	Skruv.....	Screw.....		
	A11	1	1	691107	Skruv.....	Screw.....		
	A12	1	1	691912	Regulatorvinge.....	Governor blade.....		
X	A13		8	691640	Skruv.....	Screw.....		
	A13	8		691697	Skruv.....	Screw.....		
	A14	1	1	690386	Topplock.....	Cylinder head.....		
	A15	1	1	692889	Distans.....	Spacer.....		
	A16	1		692288	Topplockspackning.....	Cylinder head gasket.....	S	
X	A16		1	698717	Topplockspackning.....	Cylinder head gasket.....	S	
	A17	1		691702	• Ventilåte- utblås.....	• Valve seat- exhaust.....		
X	A17		1	699642	• Ventilåte- utblås.....	• Valve seat- exhaust.....		
	A18	1		691701	• Ventilåte- insug.....	• Valve seat- intake.....		
X	A18		1	699641	• Ventilåte- insug.....	• Valve seat- intake.....		
	A19	1		231348	• Ventilstyrning- utblås.....	• Guide bushing- exhaust.....		
	A19	1		63709	• Ventilstyrning- insug.....	• Guide- intake valve.....		
X	A19		1	699643	• Ventilstyrning- utblås.....	• Valve guide- exhaust.....		
X	A20	1		270345	• Packning.....	• Gasket.....	S	
X	A20		1	699649	• Packning.....	• Gasket.....	S	
	A21	2	2	691111	• Skruv.....	• Screw.....		
	A22	1		693446	Insugningsrör.....	Intake manifold.....		
X	A22		1	699644	Insugningsrör.....	Intake manifold.....		
	A23	1	1	1111- 9029- 01	Tändstiftsnyckel.....	Spark plug wrench.....		
	A24	1	1	66538	Tändstiftsskydd.....	Spark plug elbow.....		
	A25	1	1	9400- 0225- 00	Tändstift.....	Spark plug.....		Champion J19LM
	A27	1		691440	Oljesticka kpl.....	Dipstick assy.....		
	A28	1	1	691870	• Tätningring.....	• Seal.....		
	A29	1		691320	• Påfyllningsrör.....	• Dipstick tube.....		
	A30	1		692040	• Oljesticka.....	• Dipstick.....		
	A31	1		691002	• Skruv.....	• Screw.....		
	A32	1	1	691876	• Tätningring.....	• Dipstick tube seal.....	S	
	A33		1	691320	• Påfyllningsrör.....	• Dipstick tube.....		
	A34		1	691913	• Oljesticka.....	• Oil dipstick.....		

A

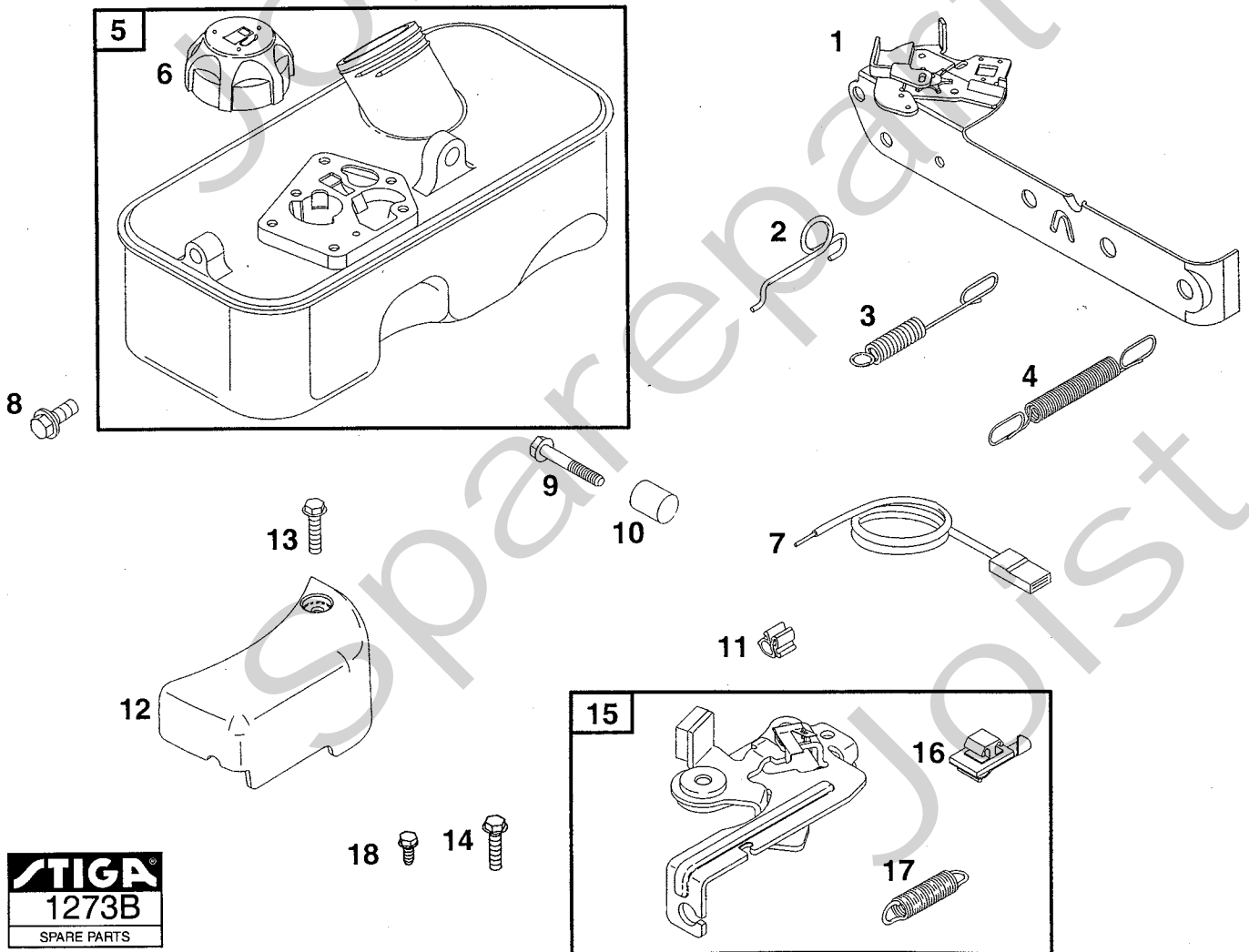


Utgåva Issue 2004-12		Bildnr Picture No 1477		BRIGGS & STRATTON 10D902 VEVAXEL VEVHUS		BRIGGS & STRATTON 10D902 CRANKSHAFT CRANKCASE		Sida Page 386
Pos. Fig.	Antal/Quantity			Art nr Part No	Benämning	Description	Sats Kit	Anmärkning Notes
	10D 902- 0141	10D 902- 0153						
	A01	1		498668	Kolv kpl.....	Piston assy		Standard
	A01	1		498669	Kolv kpl.....	Piston assy010" oversize
	A01	1		498670	Kolv kpl.....	Piston assy020" oversize
	A01	1		498671	Kolv kpl.....	Piston assy030" oversize
X	A01		1	699657	Kolv kpl.....	Piston assy		Standard
	A02	1		498680	• Kolvringsats.....	• Ring set.....		Standard
	A02	1		498681	• Kolvringsats.....	• Ring set.....		.010" oversize
	A02	1		498682	• Kolvringsats.....	• Ring set.....		.020" oversize
	A02	1		498683	• Kolvringsats.....	• Ring set.....		.030" oversize
X	A02		1	699658	• Kolvringsats.....	• Ring set.....		Standard
	A03	2	2	691588	• Låsring	• Piston pin lock		
	A04	1		496792	Vevstake	Connecting rod		
X	A04		1	699654	Vevstake	Connecting rod		
	A05	2	2	691664	• Skruv	• Screw		
	A06	1		298908	Kolvbult kpl.....	Piston pin assy.....		.005" oversize
	A06	1	1	298909	Kolvbult kpl.....	Piston pin assy.....		Standard
	A07	1	1	296676	Utblåsningsventil.....	Exhaust valve		
	A08	2	2	692194	• Ventilhållare	• Valve retainer		
	A09	1	1	296677	Insugningsventil	Intake valve		
	A10	1	1	690520	Ventilfjäder	Valve spring		
	A11	2	2	691762	Ventilyftare	Valve tappet		
	A12	1	1	690520	Ventilfjäder	Valve spring		
	A13	1	1	691471	Vevaxel	Crankshaft.....		
	A14	1	1	499047	• Stift.....	• Pin.....		
	A15	1	1	691805	• Drev	• Timing gear		
	A16	1	1	222698	Kil	Key		
	A17	1	1	691998	Kamaxel.....	Camshaft.....		
	A18	1		691983	Oljeslungare.....	Oil slinger		
X	A18		1	698690	Oljeslungare.....	Oil slinger		
	A19	1	1	293709	• Bussning.....	• Bushing.....		
	A20	1	1	391483	• Tätningring	• Oil seal	S	
	A21	1	1	395384	Vevhus.....	Oil sump		
	A22	1	1	270895	• Vevhuspackning	• Crankcase gasket	S	.005" thick
	A22	1	1	270896	• Vevhuspackning	• Crankcase gasket	S	.009" thick
	A22	1	1	692218	• Vevhuspackning	• Crankcase gasket	S	.015" thick (Standard)
	A23	1	1	691680	Oljeavtappningsplugg	Oil drain plug		
	A24	6	6	691662	Skruv	Screw		
	A31	1		298989	Packningssats	Gasket set		Märkta/marked S
X	A31		1	699933	Packningssats	Gasket set		Märkta/marked S

A

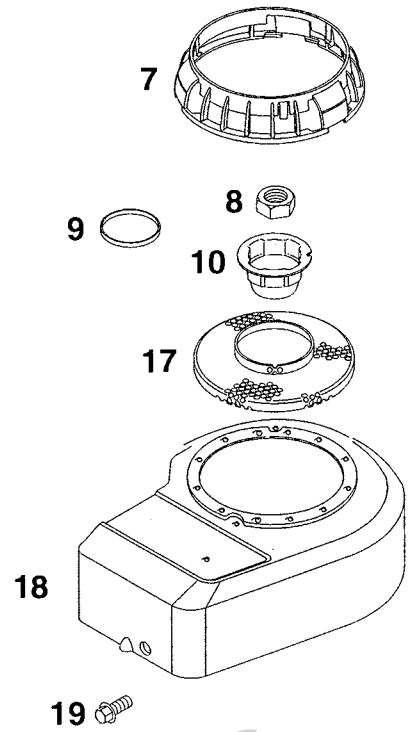
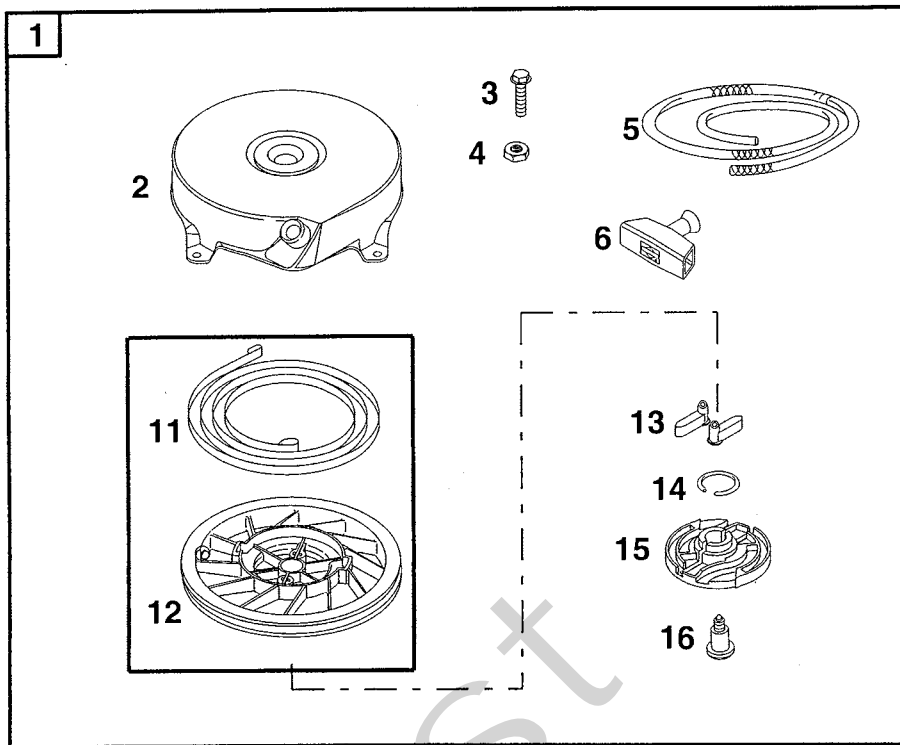


B

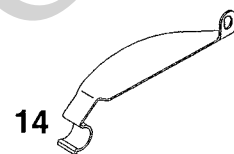
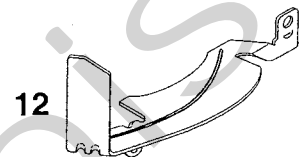
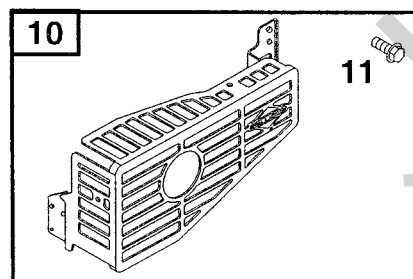
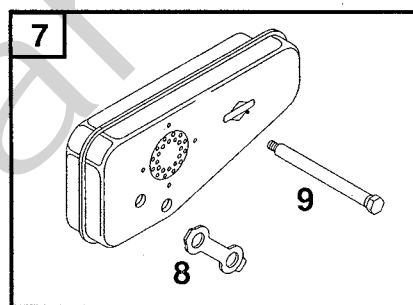
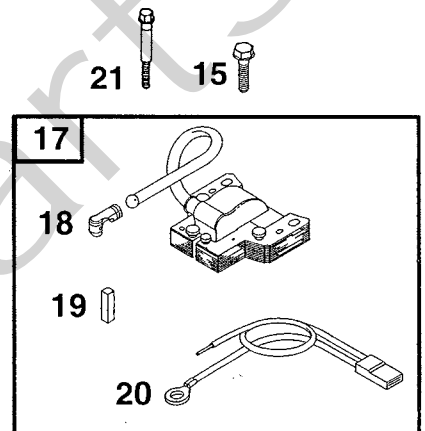
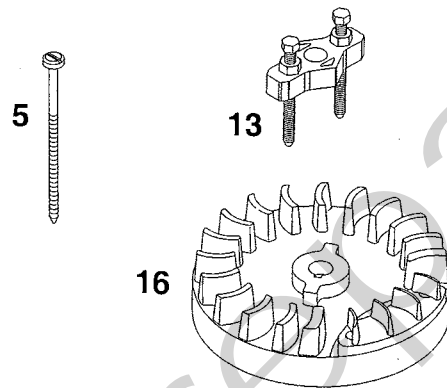
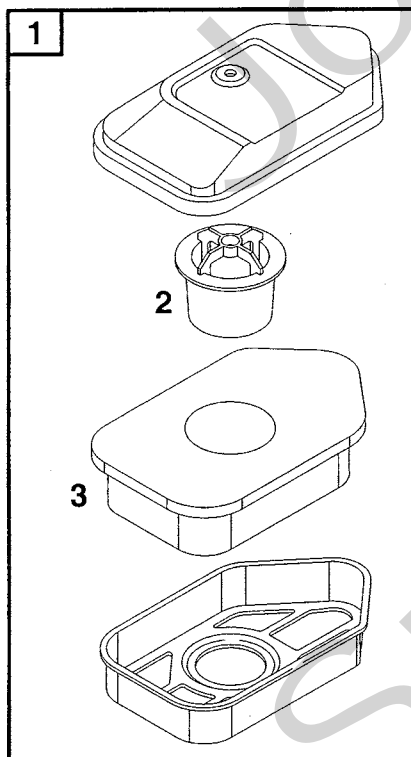


Utgåva Issue		Bildnr Picture No		BRIGGS & STRATTON 10D902 FÖRGASARE BRÄNSLETANK		BRIGGS & STRATTON 10D902 CARBURETTOR FUEL TANK		Sida Page	
2004-12		1273B						388	
Pos. Fig.	Antal/Quantity			Art nr Part No	Benämning	Description	Sats Kit	Anmärkning Notes	
	10D 902- 0141	10D 902- 0153							
A01	4	4		692200	Skruv	Screw			
A02	1	1		692189	Hylsa	Grommet.....			
A03	1	1		498811	Förgasare kpl.....	Carburettor assy			
A04	1			494408	• Primer.....	• Primer bulb			
A04		1		694394	• Primer.....	• Carburettor primer			
A05	1	1		271139	• Packning.....	• Gasket			
A06	1	1		270344	• Tätning	• Seal			
A07	1	1		691931	• Spjällaxel	• Throttle shaft.....			
A08	1	1		691321	• Dammtätning.....	• Dust seal			
A09	1	1		691190	• Gasspjäll.....	• Throttle valve			
A10	1	1		691837	• Nät.....	• Screen			
A11	1	1		691839	• Fjäder.....	• Spring			
A12	1	1		496046	• Bränslerör.....	• Fuel pipe.....			
A13	1	1		494409	• Ventilsåte	• Check valve seat.....			
A14	1	1		691901	• Säte	• Inlet seat			
A15	1	1		495770	• Membran	• Diaphragm			
A16	1	1		695866	• O-ring.....	• O-ring seal.....			
B01	1	1		691446	Reglageplåt.....	Control bracket			
B02	1	1		690347	Regulatorlänk	Air vane link			
B03	1			690251	Regulatorfjäder.....	Governor spring			
B03		1		690254	Regulatorfjäder.....	Governor spring			
B04	1	1		691859	Fjäder.....	Idle spring			
B05	1	1		494406	Bränsletank.....	Fuel tank			
B06	1	1		497929	• Tanklock	• Fuel cap.....			
B07	1	1		692390	Stoppkabel.....	Stop wire.....			
B08	1	1		692198	Skruv	Screw			
B09	1	1		691697	Skruv	Screw			
B10	1	1		691633	Distans	Spacer			
B11	1	1		690586	Wireklämna	Wire clip.....			
B12	1	1		691349	Kåpa	Linkage cover			
B13	1	1		691111	Skruv	Screw			
B14	2	2		691146	Skruv	Screw			
B15	1	1		691487	Broms.....	Brake.....			
B16	1	1		692310	• Stoppkontakt	• Stop switch			
B17	1	1		692135	• Bromsfjäder.....	• Brake spring			
B18	1	1		690859	Skruv	Screw			

A

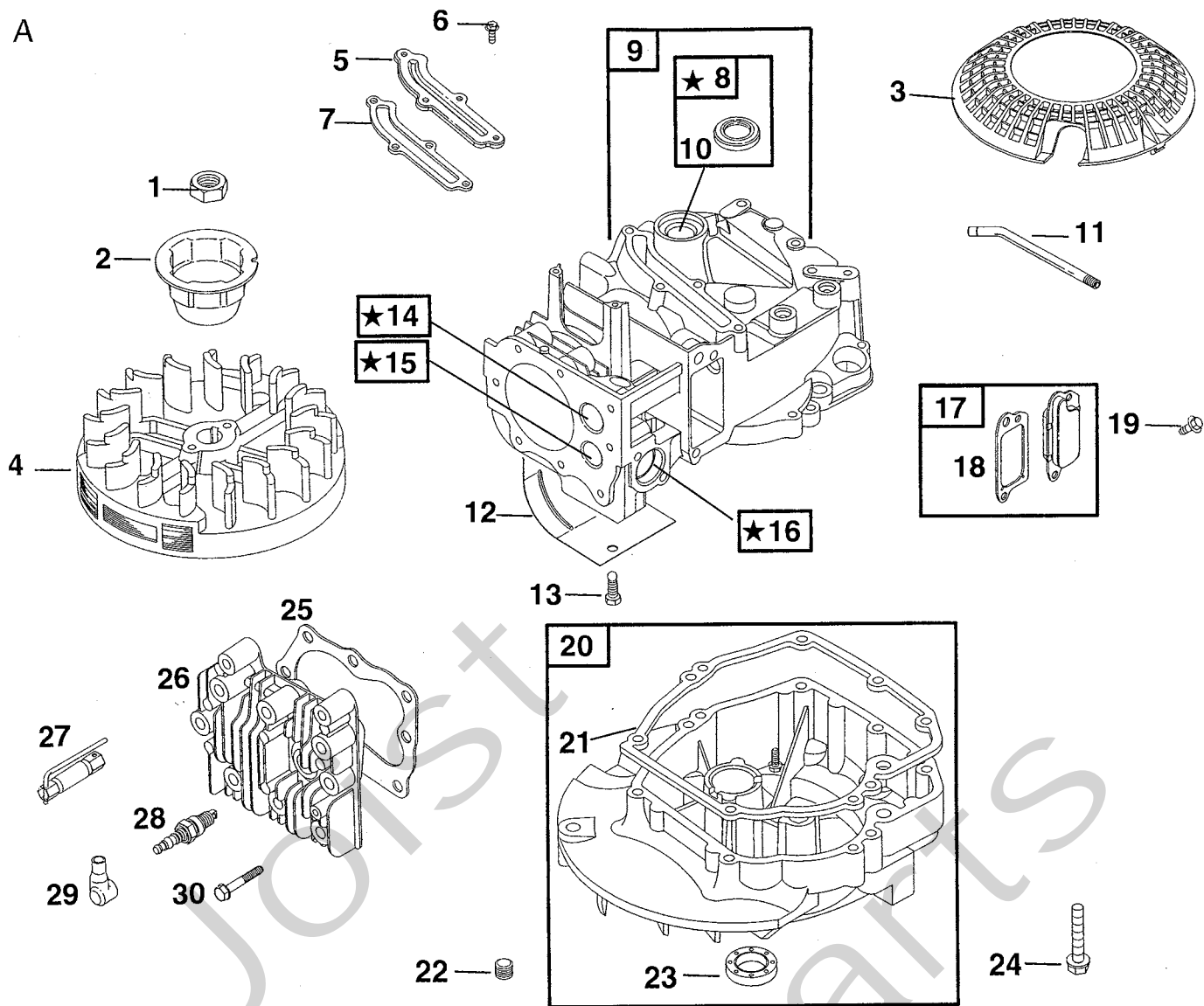


B

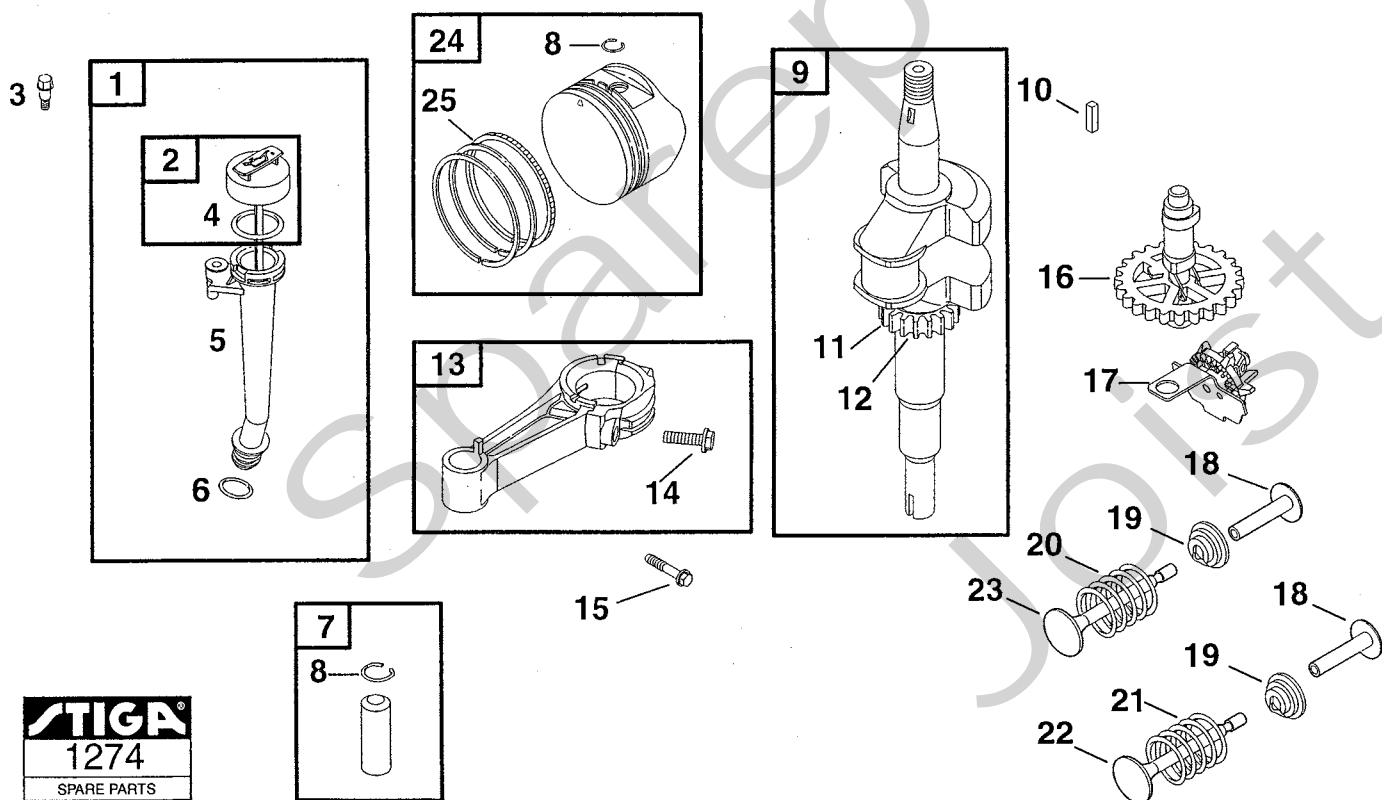


Utgåva Issue		Bildnr Picture No		BRIGGS & STRATTON 10D902 START LUFTFILTER		BRIGGS & STRATTON 10D902 STARTER AIR CLEANER		Sida Page
2004-12		1272A						390
Pos. Fig.	Antal/Quantity			Art nr Part No	Benämning	Description	Sats Kit	Anmärkning Notes
	10D 902- 0141	10D 902- 0153						
	A01	1	1	499706	Start kpl.....	Rewind starter.....		
	A02	1	1	692144	• Starthus.....	• Starter housing.....		
	A03	4	4	690837	• Skruv.....	• Screw.....		
	A04	4	4	690800	• Mutter.....	• Nut.....		
	A05	1		692259	• Startsnöre.....	• Starter rope.....		
X	A05		1	697316	• Startsnöre.....	• Starter rope.....		
	A06	1	1	691915	• Starthandtag.....	• Starter grip.....		
	A07	1	1	691348	Skydd.....	Rewind guard.....		
	A08	1	1	690662	Mutter.....	Flywheel nut.....		
	A09	1		694420	Roterande platta.....	Rotating trim plate.....		
	A10	1	1	691236	Svänghjulskopp.....	Flywheel cup.....		
	A11	1	1	499901	• Linhjul m.fjäder.....	• Pulley and spring.....		
	A12	1	1	499901	• Linhjul m.fjäder.....	• Pulley and spring.....		
	A13	2	2	281505	• Startklo.....	• Starter pawl.....		
	A14	1	1	691855	• Friktionsfjäder.....	• Friction spring.....		
	A15	1	1	692299	• Spärrplatta.....	• Pawl friction plate.....		
	A16	1	1	691696	• Skruv.....	• Screw.....		
	A17	1		691235	Skyddsnät.....	Rotating screen.....		
X	A17		1	699850	Skyddsnät.....	Rotating screen.....		
	A18	1	1	691484	Fläkthus.....	Blower housing.....		
	A19	3	3	692198	Skruv.....	Screw.....		
	B01	1		493492	Luftfilter.....	Air cleaner.....		
X	B01		1	698472	Luftfilter.....	Air cleaner.....		
	B02	1		691911	• Stöd.....	• Support.....		
	B03	1		272235	• Filterinsats.....	• Air cleaner filter.....		
X	B03		1	698369	• Filterinsats.....	• Air cleaner filter.....		
	B04	1	1	271139	Packning.....	Gasket.....		
	B05	1	1	691417	Skruv.....	Screw.....	S	
	B07	1	1	692307	Ljuddämpare.....	Muffler.....		
	B08	1	1	691179	• Låsbleck.....	• Screw lock.....		
	B09	2	2	691413	• Skruv.....	• Screw.....		
	B10	1	1	494896	Ljuddämparskydd.....	Muffler guard.....		
	B11	2	2	690664	• Skruv.....	• Screw.....		
	B12	1	1	691209	Svänghjulsskydd.....	Flywheel guard.....		
	B13	1	1	19069	Avdragare.....	Puller.....		
	B14	1	1	690482	Svänghjulsskydd.....	Flywheel guard.....		
	B15	2	2	691061	Skruv.....	Screw.....		
	B16	1	1	692009	Svänghjul.....	Flywheel.....		
	B17	1	1	496914	Tändsystem kpl.....	Magneto armature.....		
	B18	1	1	493880	• Anslutningshylsa.....	• Terminal.....		
	B19	1	1	222698	• Kil.....	• Key.....		
	B20	1	1	398808	• Kortslutningskabel.....	• Ground wire.....		
	B21	1		691107	Skruv.....	Screw.....		

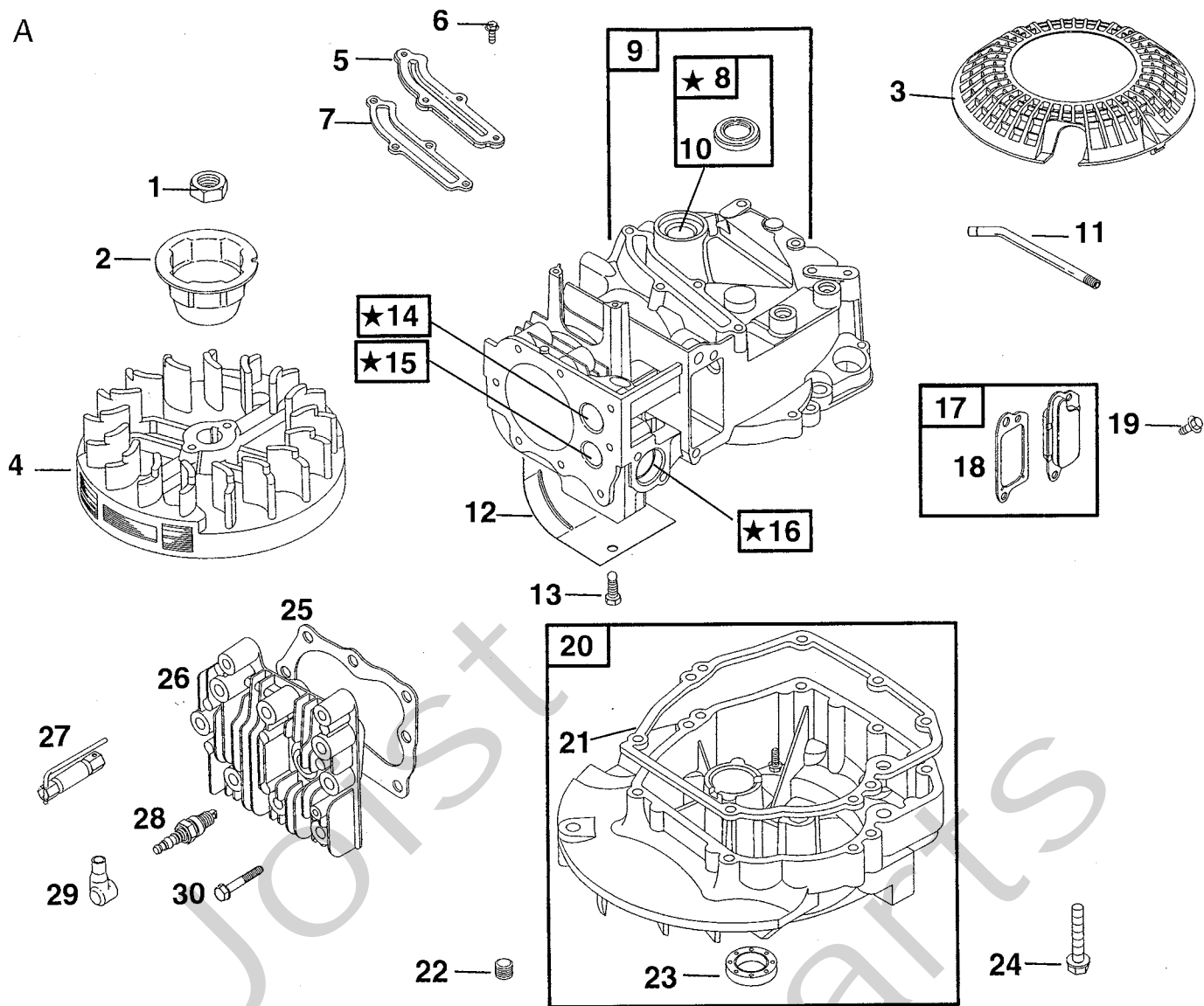
A



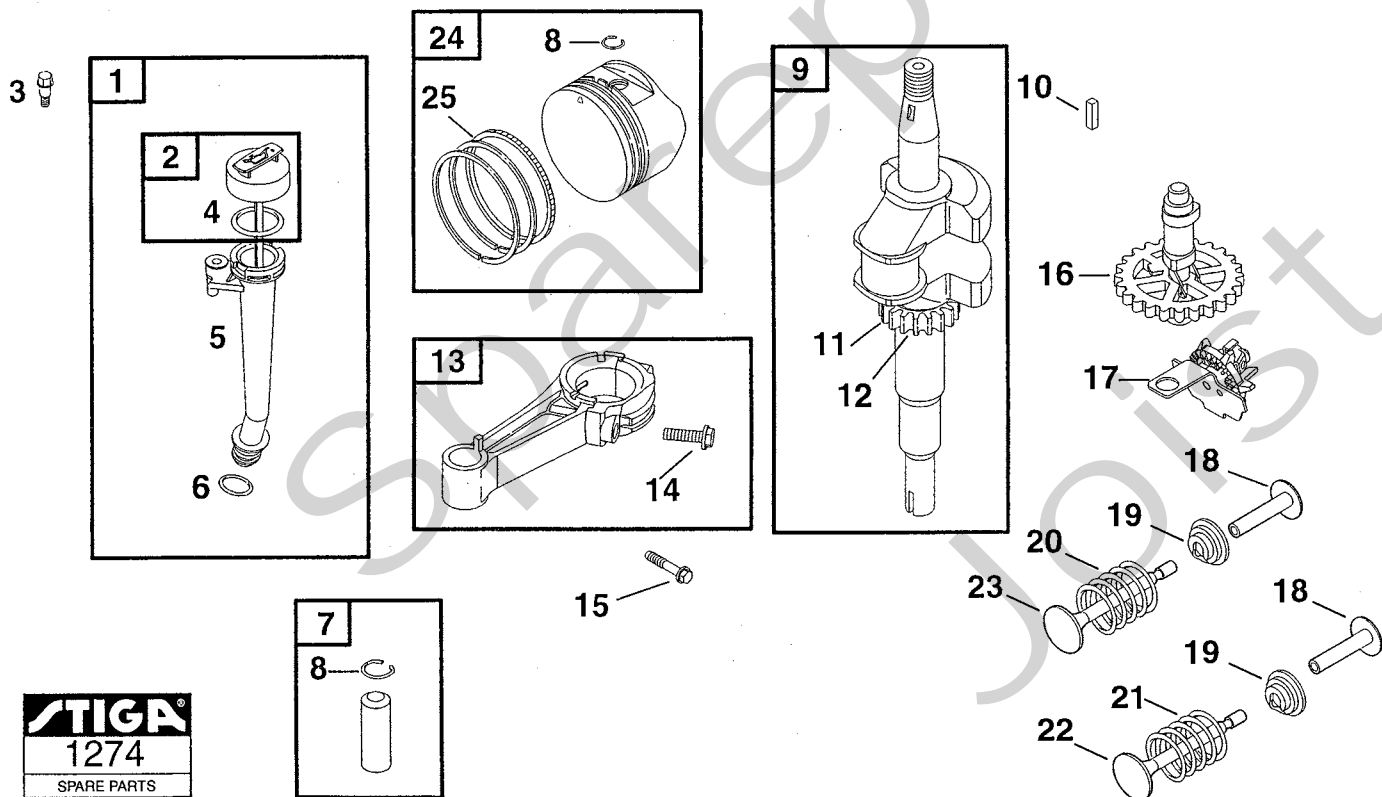
B



A

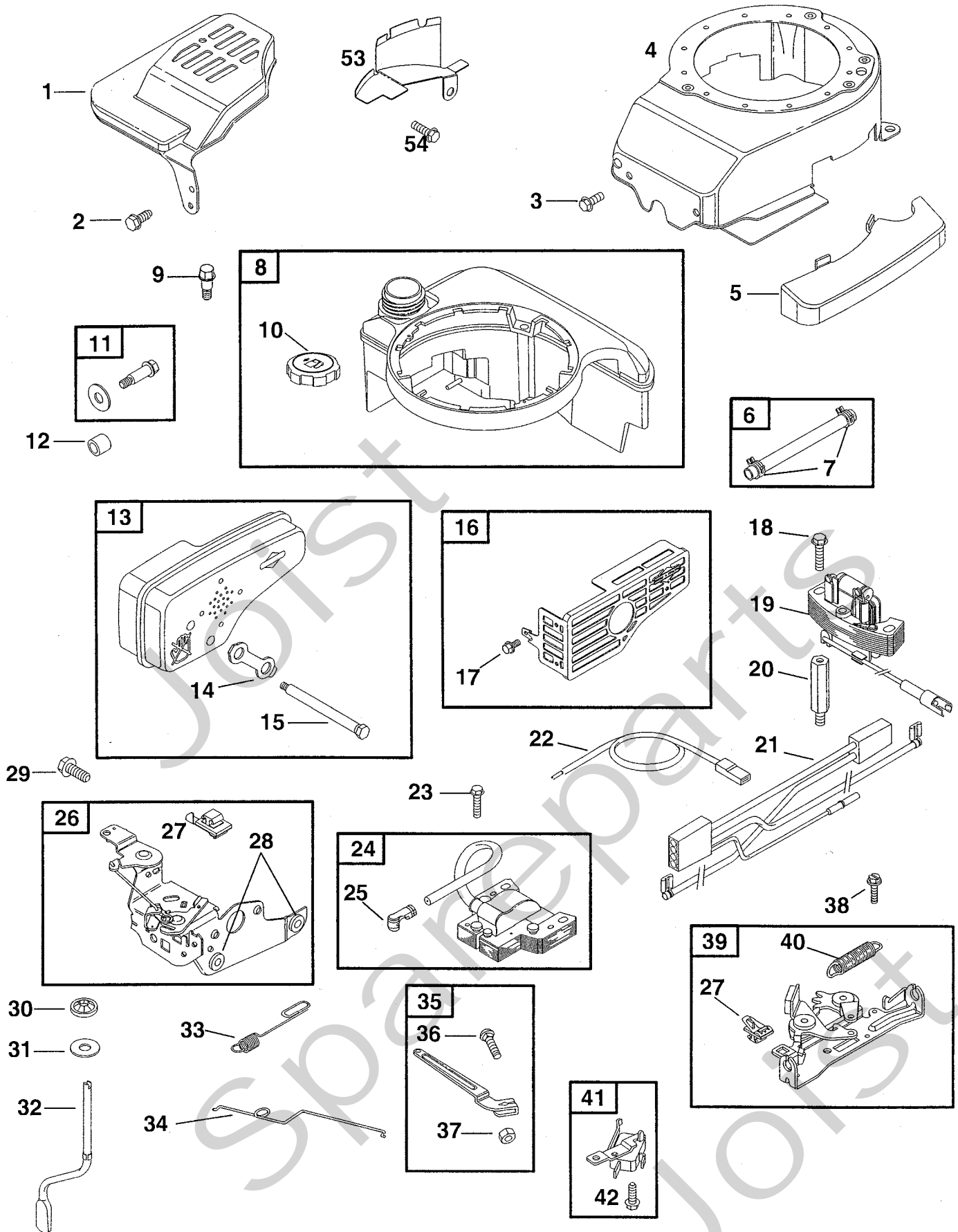


B



Utgåva Issue 2004-12		Bildnr Picture No 1274				BRIGGS & STRATTON 12H802, 12H807 CYLINDER VEVAXEL		BRIGGS & STRATTON 12H802, 12H807 CYLINDER CRANKSHAFT		Sida Page 392
Pos. Fig.	Antal/Quantity				Art nr Part No	Benämning	Description	Sats Kit	Anmärkning Notes	
	12H 802- 1935	12H 807- 1936	12H 802- 1966	12H 807- 1992						
A01	1	1	1	1	690662	Mutter.....	Flywheel nut.....			
A02	1	1	1	1	695161	Svånghjuls kopp.....	Flywheel cup.....			
A03	1	1	1	1	691919	Skydd.....	Rewind guard.....			
A04		1		1	691987	Svånghjul.....	Flywheel.....			
A04	1		1		692315	Svånghjul.....	Flywheel.....			
A05	1	1	1		692342	Lock.....	Cover.....			
X A05				1	697734	Lock.....	Cover.....			
A06	4	4	4	4	690345	Skruv.....	Screw.....			
A07	1	1	1	1	691879	Packning.....	Gasket.....			
A08	1	1	1	1	399269	• Bussning.....	• Bushing.....			
A09	1	1	1	1	697322	Cylinder kpl.....	Cylinder assy.....			
A10	1	1	1	1	299819	Tätningring.....	Oil seal.....			
A11			1		499675	Ventilationsrör.....	Breather tube.....			
A11	1	1		1	691781	Ventilationsrör.....	Breather tube.....			
A12	1	1	1	1	690450	Cylinderskydd.....	Cylinder shield.....			
A13	1	1	1	1	690345	Skruv.....	Screw.....			
A14	1	1	1	1	691155	• Ventilsåte- insug.....	• Valve seat- intake.....			
A15	1	1	1	1	690380	• Ventilsåte- utblås.....	• Valve seat- exhaust.....			
A16	1	1	1	1	262001	• Ventilstyrning- utblås.....	• Valve guide- exhaust.....			
A16	1	1	1	1	63709	• Ventilstyrning- insug.....	• Guide- intake valve.....			
A17	1	1	1	1	695250	Vevhusventilation.....	Breather.....			
A18	1	1	1	1	696125	• Packning.....	• Gasket.....			
A19	2	2	2	2	691125	Skruv.....	Screw.....			
A20	1	1	1	1	493279	Vevhus.....	Engine sump.....			
A21	1	1	1	1	692232	• Packning.....	• Gasket.....			
A22	1	1	1	1	691680	Oljeavtappningsplugg.....	Oil drain plug.....			
A23	1	1	1	1	399781	• Tätningring.....	• Oil seal.....			
A24	7	7	7	7	691092	Skruv.....	Screw.....			
A25	1	1	1	1	692249	Packning.....	Gasket.....			
A26	1	1	1	1	691160	Topplöck.....	Cylinder head.....			
A27	1	1	1	1	1111- 9029- 01	Tändstiftsnyckel.....	Spark plug wrench.....			
A28	1	1	1	1	9400- 0225- 00	Tändstift.....	Spark plug.....		Champion J19LM	
A29	1	1	1	1	66538	Tändstiftsskydd.....	Spark plug elbow.....			
A30	8	8	8	8	690912	Skruv.....	Screw.....			
B01	1	1	1	1	692017	Oljesticka kpl.....	Oil dipstick assy.....			
B02	1	1	1	1	495264	• Oljesticka.....	• Oil dipstick.....			
B03	1	1	1	1	690940	Skruv.....	Screw.....			
B04	1	1	1	1	691031	• O- ring.....	• O- ring.....			
B05	1	1	1	1	495265	• Oljepåfyllningsrör.....	• Oil filler tube.....			
B06	1	1	1	1	692296	• Tätningring.....	• Tube seal.....			
B07	1	1	1	1	499423	Kolvbult.....	Piston pin.....			
B08	2	2	2	2	691866	• Låsring.....	• Lock ring.....			
B09	1	1	1	1	691452	Vevaxel.....	Crankshaft.....			
B10	1	1	1	1	222698	Kil.....	Key.....			
B11	1	1	1	1	691830	• Drev.....	• Timing gear.....			
B12	1	1	1	1	690979	• Kil.....	• Timing key.....			
B13	1	1	1	1	499424	Vevstake.....	Connecting rod.....			
B14	1	1	1	1	691664	• Skruv.....	• Screw.....			
B15	1	1	1	1	695759	Skruv.....	Screw.....			
B16	1	1	1	1	691449	Kamaxel.....	Camshaft.....			
B17	1	1	1	1	691997	Oljeslungare.....	Oil slinger.....			
B18	2	2	2	2	690548	Ventilyftare.....	Valve tappet.....			
B19	2	2	2	2	692194	Ventilhållare.....	Valve retainer.....			
B20	1	1	1	1	691270	Ventilfjäder.....	Valve spring.....			
B21	1	1	1	1	691270	Ventilfjäder.....	Valve spring.....			
B22	1	1	1	1	262651	Utblåsningsventil.....	Exhaust valve.....			
B23	1	1	1	1	262652	Insugningsventil.....	Intake valve.....			
B24	1	1	1	1	499429	Kolv kpl.....	Piston assy.....		Standard	
B24	1	1	1	1	499430	Kolv kpl.....	Piston assy.....		.010" oversize	
B24	1	1	1	1	499431	Kolv kpl.....	Piston assy.....		.020" oversize	
B25	1	1	1	1	499425	• Kolvringsatts.....	• Ring set.....		Standard	
B25	1	1	1	1	499426	• Kolvringsatts.....	• Ring set.....		.010" oversize	
B25	1	1	1	1	499427	• Kolvringsatts.....	• Ring set.....		.020" oversize	

A

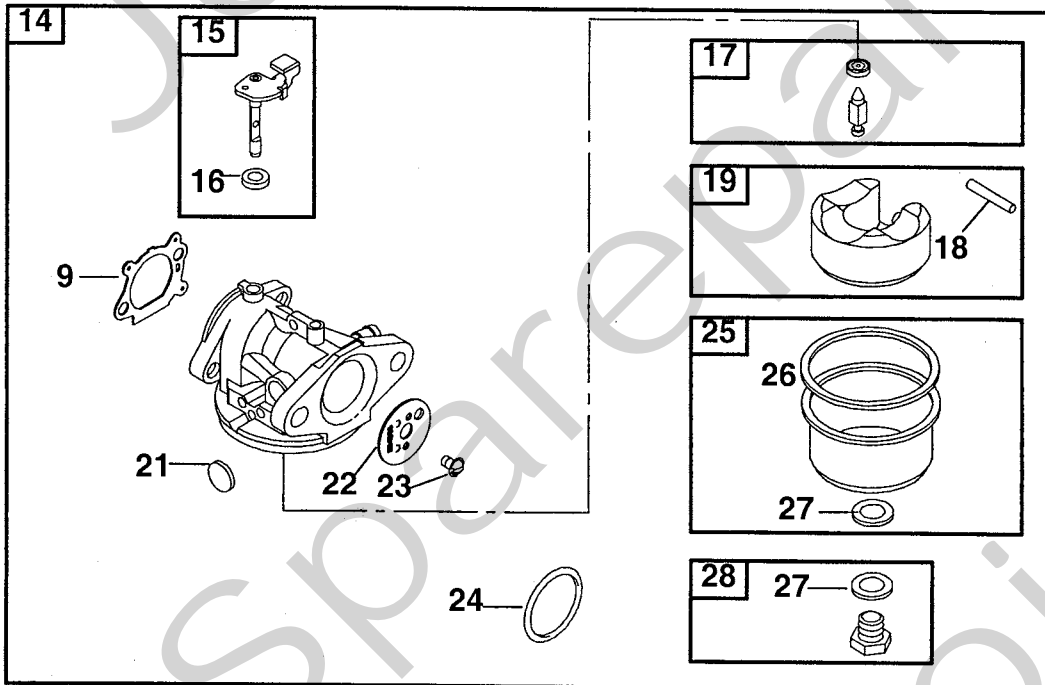
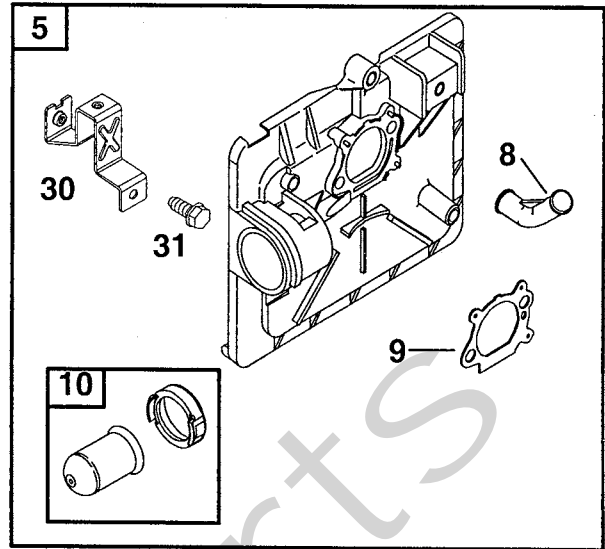
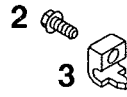
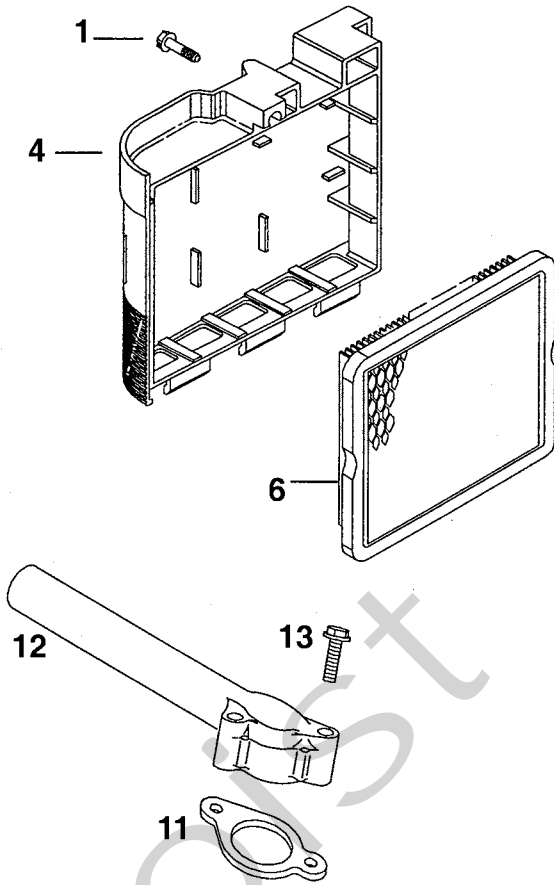


Utgåva Issue 2004-12		Bildnr Picture No 1275				BRIGGS & STRATTON 12H802, 12H807 BRÄNSLETANK REGULATOR		BRIGGS & STRATTON 12H802, 12H807 FUEL TANK GOVERNOR		Sida Page 394
Pos. Fig.	Antal/Quantity				Art nr Part No	Benämning	Description	Sats Kit	Anmärkning Notes	
	12H 802- 1935	12H 807- 1936	12H 802- 1966	12H 807- 1992						
A01	1	1	1	1	691757	Lock.....	Control cover			
A02	1	1	1	1	690664	Skruv	Screw			
A03	4	4	4	4	691108	Skruv	Screw			
A04	1	1	1	1	493293	Fläkthus	Blower housing			
A05	1	1	1	1	690595	Lock.....	Brake cover			
A06	1		1		691050	Bränsleslang	Fuel line.....			
A06		1		1	691371	Bränsleslang	Fuel line.....			
A07	2	2	2	2	95162	Slangklämma.....	Hose clamp			
A08	1	1	1		495224	Bränsletank.....	Fuel tank			
A08				1	699374	Bränsletank.....	Fuel tank			
A09	2	2	2	2	690940	Skruv	Screw			
A10	1	1	1	1	397974	• Tanklock	• Fuel cap.....			
A11	1	1	1	1	692311	Skruv/bricka	Screw/washer			
A12	1	1	1	1	692294	Distans	Spacer			
A13	1	1	1	1	692038	Ljuddämpare	Muffler			
A14	1	1	1	1	691740	• Låsbleck	• Screw lock			
A15	2	2	2	2	691340	• Skruv	• Screw			
A16	1	1	1	1	499034	Skydd	Guard			
A17	2	2	2	2	690664	• Skruv	• Screw			
A18		2		2	691648	Skruv	Screw			
A19		1		1	691991	Generator.....	Alternator			
A20		2		2	691094	Pinnbult	Stud			
A21		1		1	696547	Kablage.....	Wiring harness.....			
A22	1	1	1	1	692390	Stoppkabel.....	Stop wire.....			
A23	2	2	2	2	691061	Skruv	Screw			
A24	1	1	1	1	802574	Tändsystem	Magneto armature.....			
A25	1	1	1	1	493880	• Anslutningshylsa	• Terminal			
A26	1	1	1	1	692031	Reglageplåt	Control bracket			
A27	2	2	2	2	692310	• Stoppkontakt	• Stop switch			
A28	1	1	1	1	493823	• Distans	• Spacer			
A29	2	2	2	2	690877	Skruv	Screw			
A30	1	1	1	1	690340	Hållare	Retainer			
A31	1	1	1	1	690272	Bricka	Washer			
A32	1	1			691308	Regulatoraxel.....	Governor crank			
A32			1	1	698801	Regulatoraxel.....	Governor crank			
A33	1	1	1	1	691292	Regulatorfjäder.....	Governor spring			
A34	1	1	1	1	691829	Regulatorlänk	Governor link			
A35	1	1	1	1	690783	Regulatorarm.....	Govern. control lever.....			
A36				1	691119	• Bult	• Bolt			
A36	1	1	1		92613	• Skruv	• Screw			
A37	1	1			231082	• Mutter	• Nut			
A37			1	1	691251	• Mutter	• Nut			
A38	2	2	2	2	691648	Skruv	Screw			
A39	1	1	1	1	691994	Broms.....	Brake.....			
A40	1	1	1	1	691831	• Bromsfjäder.....	• Brake spring.....			
A41		1		1	499421	Brytare.....	Switch			
A42		1		1	691627	• Skruv	• Screw			
A53	1	1	1		694086	Svänghjulsskydd	Flywheel guard			
A54	1	1	1		691108	Skruv	Screw			

X

2 st/includes 2

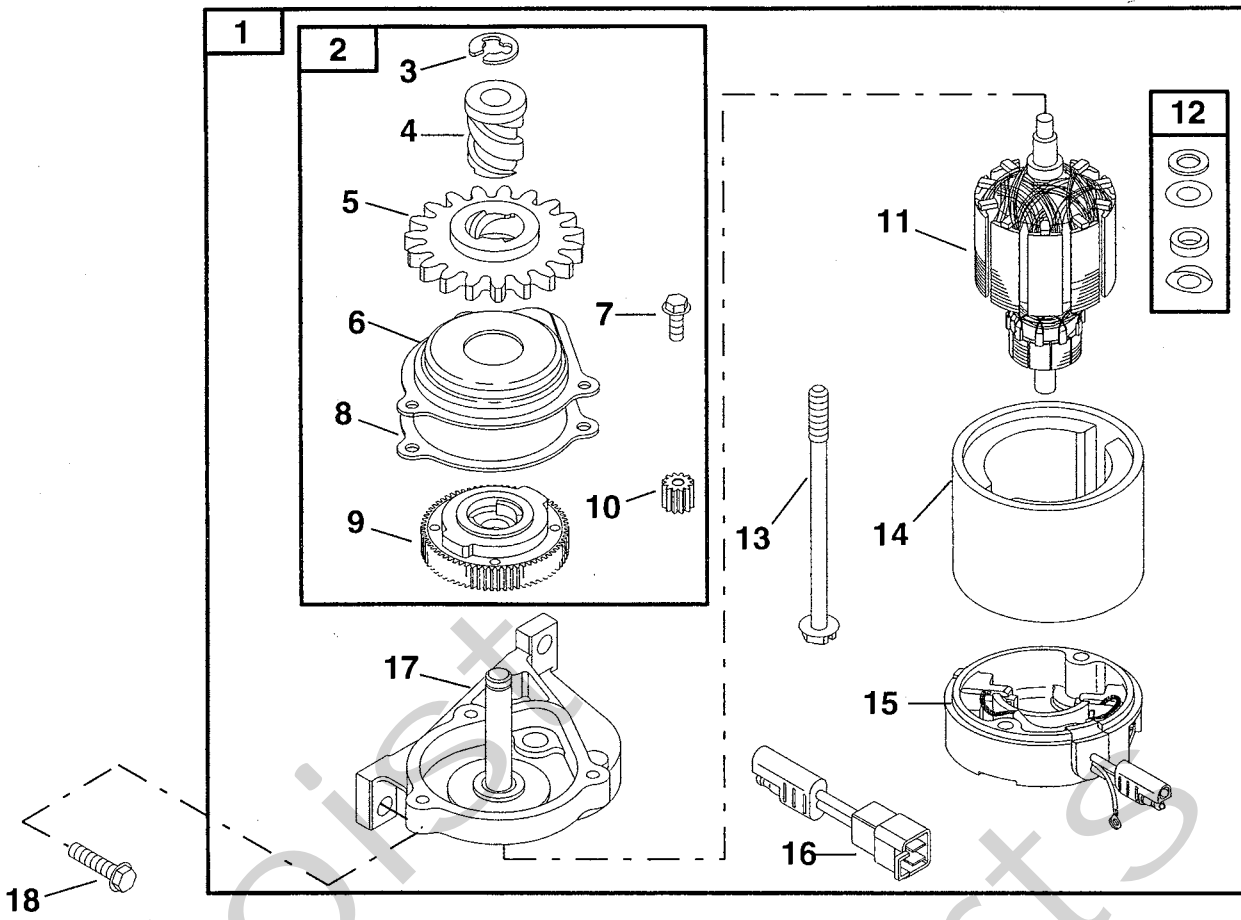
A



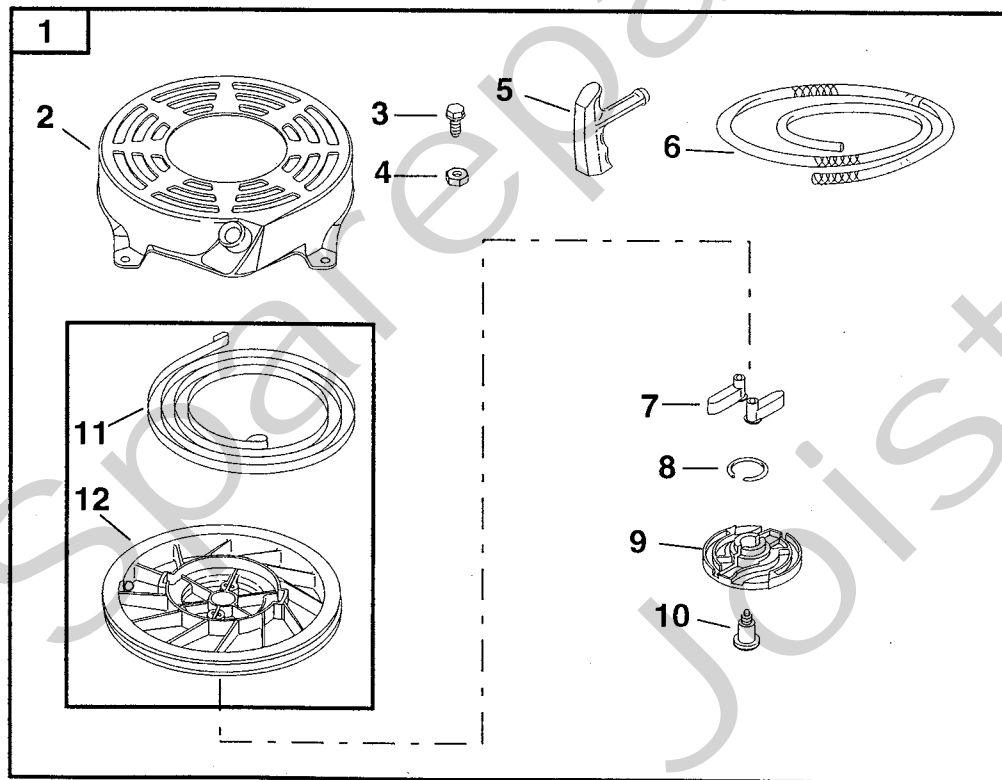
Utgåva Issue 2004-12		Bildnr Picture No 1276A				BRIGGS & STRATTON 12H802, 12H807 LUFTFILTER FÖRGASARE		BRIGGS & STRATTON 12H802, 12H807 AIR CLEANER CARBURETTOR		Sida Page 396
Pos. Fig.	Antal/Quantity				Art nr Part No	Benämning	Description	Sats Kit	Anmärkning Notes	
	12H 802- 1935	12H 807- 1936	12H 802- 1966	12H 807- 1992						
A01	1	1	1	1	690670	Skruv	Screw			
A02	1	1	1	1	691044	Skruv	Screw			
A03	1	1	1	1	690798	Wireklämma	Casing clamp			
A04	1	1	1	1	692298	Luftrenarlock	Air cleaner cover			
A05	1	1	1	1	496116	Luftrenarfäste	Air cleaner base			
A06	1	1	1	1	491588	Pappersfilter	Air filter			
A07	2	2	2	2	692523	Skruv	Screw			
A08	1	1	1	1	691923	• Hylsa	• Grommet			
A09	1	1	1	1	272653	• Packning	• Gasket			
A10	1	1	1	1	694395	• Primer	• Primer			
A11	1	1	1	1	272199	Packning	Gasket			
A12	1	1	1	1	497465	Insugningsrör	Intake pipe			
A13	2	2	2	2	691650	Skruv	Screw			
A14	1	1	1	1	498170	Förgasare kpl.	Carburettor assy			
A15	1	1	1	1	696565	• Spjällaxel	• Throttle shaft			
A16	1	1	1	1	691321	• Dammtätning	• Dust seal			
A17	1	1	1	1	398188	• Bränslenål	• Inlet valve			
A18	1	1	1	1	691242	• Flottöraxel	• Float hinge pin			
A19	1	1	1	1	398187	• Flottör	• Float			
A20	2	2	2	2	692524	Skruv	Screw			
A21	1	1	1	1	694468	• Expansionsbricka	• Welch plug			
A22	1	1	1	1	696564	• Gasspjäll	• Throttle valve			
A23	1	1	1	1	691636	• Skruv	• Screw			
A24	1	1	1	1	270344	• Tätning	• Seal			
A25	1	1	1	1	493640	• Flottörhus	• Bowl			
A26	1	1	1	1	693981	• Packning	• Gasket			
A27	1	1	1	1	271716	• Tätningsbricka	• Sealing washer			
A28	1	1	1	1	498978	• Huvudmunstycke	• Main jet			
A29					494870	Huvudmunstycke	Main jet			
A29	1	1	1	1	497466	Huvudmunstycke	Main jet			
A30	1	1	1	1	691753	• Fäste	• Bracket			
A31	1	1	1	1	691669	• Skruv	• Screw			

Standard
High altitude
High altitude

A

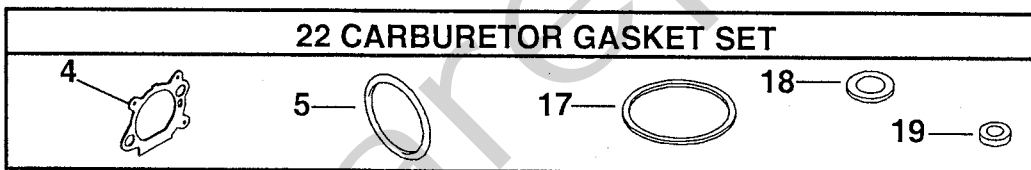
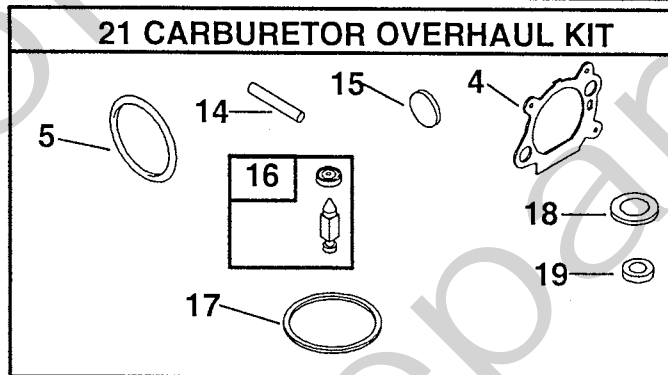
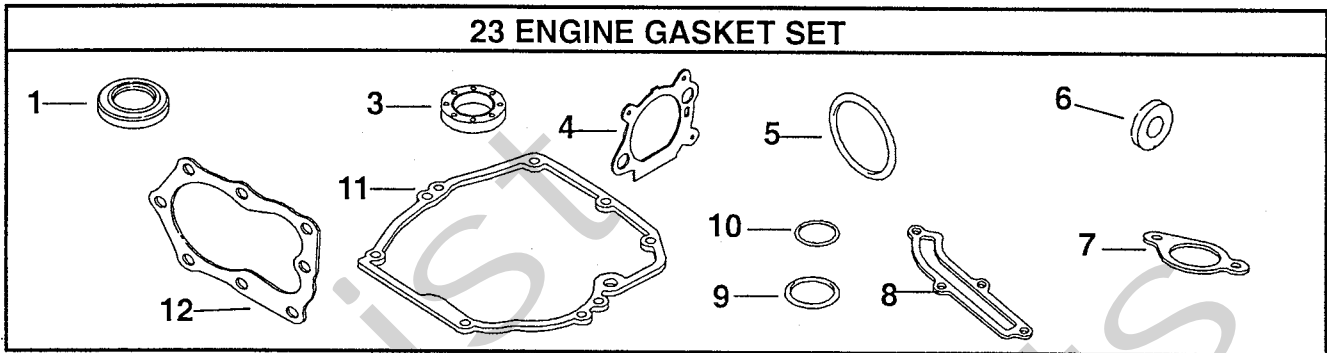


B

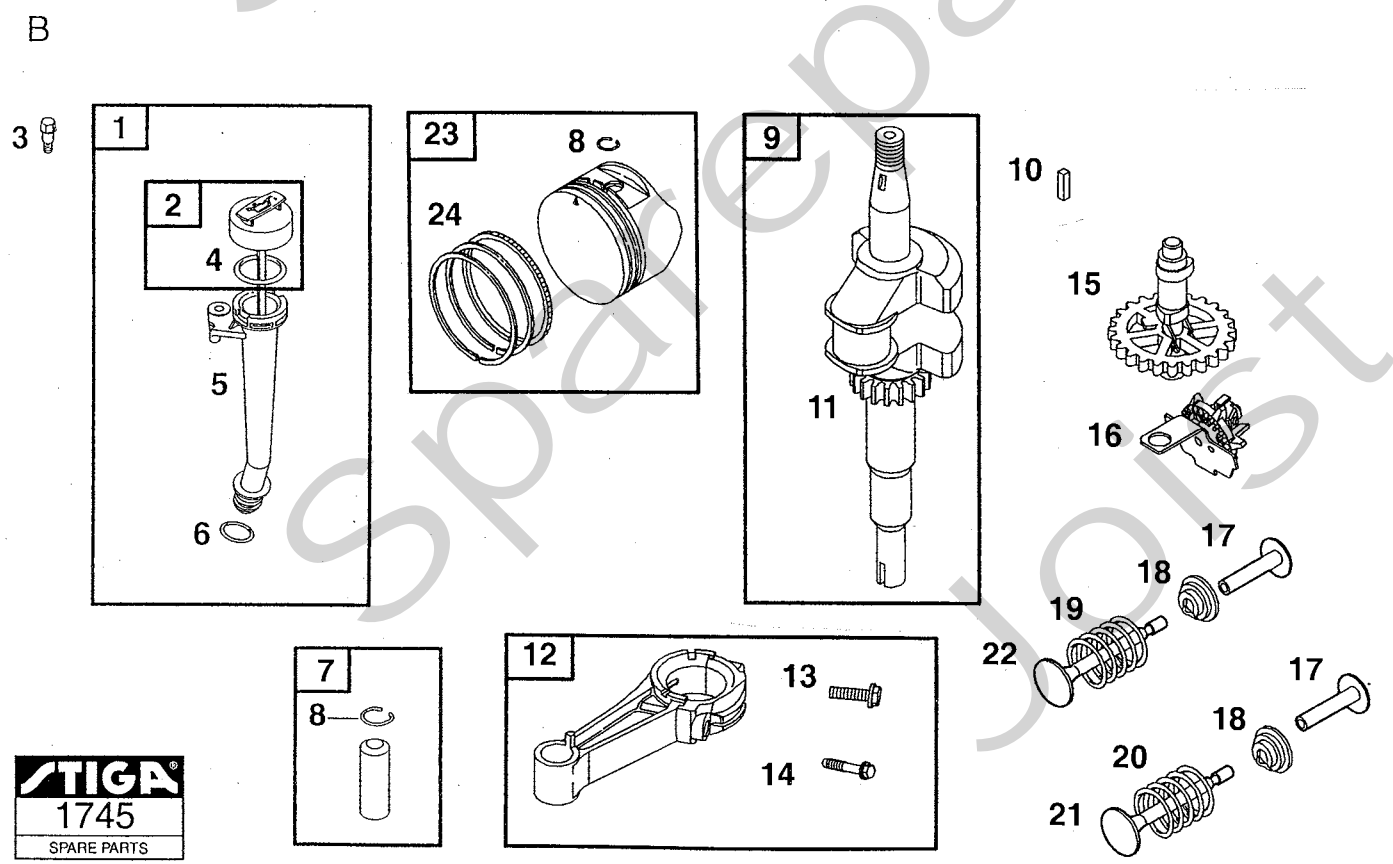
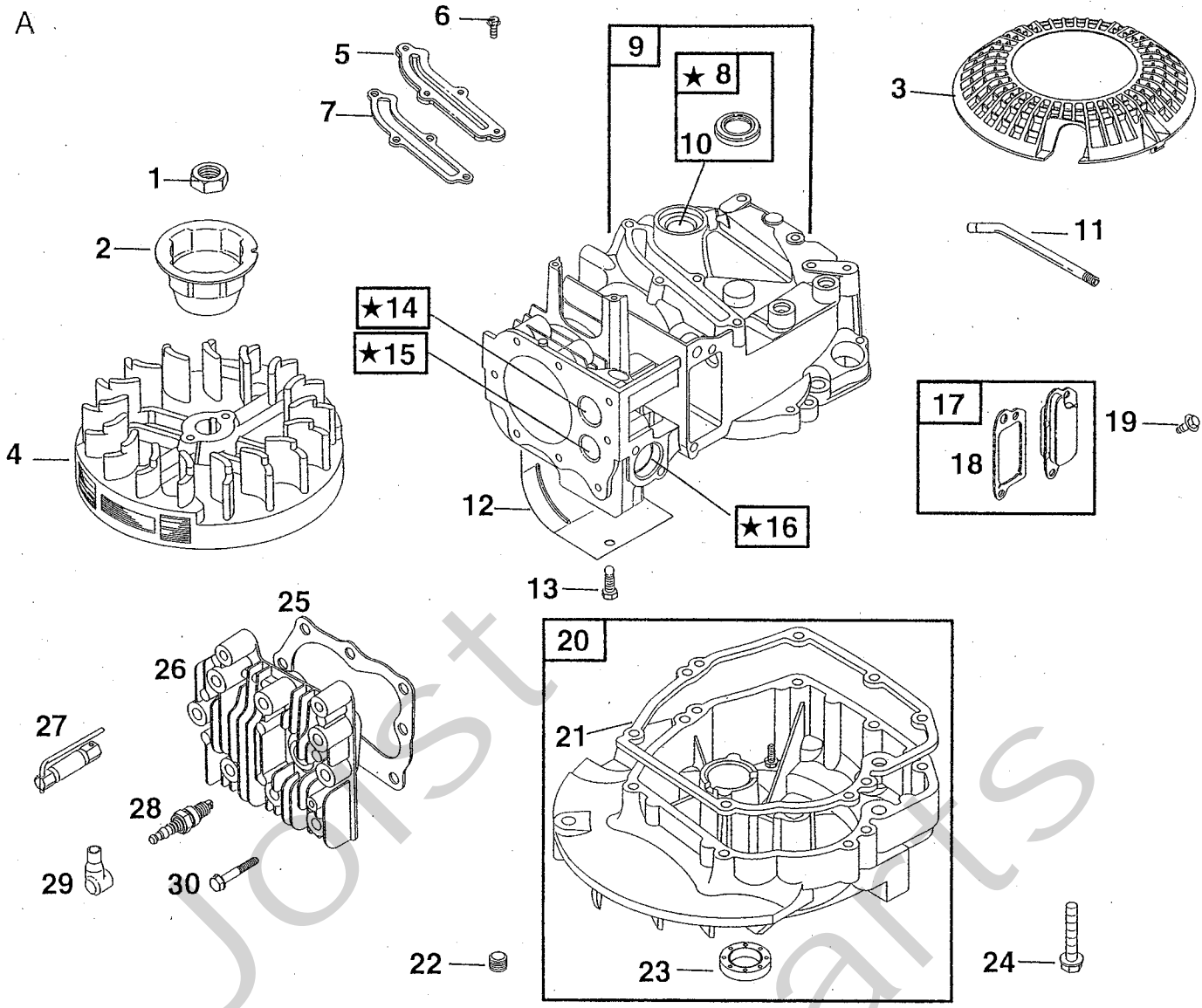


Utgåva Issue		Bildnr Picture No				BRIGGS & STRATTON 12H802, 12H807 STARTMOTOR SNÖRSTART		BRIGGS & STRATTON 12H802, 12H807 STARTER MOTOR REWIND STARTER		Sida Page
Pos. Fig.	Antal/Quantity				Art nr Part No	Benämning	Description	Sats Kit	Anmärkning Notes	
	12H 802- 1935	12H 807- 1936	12H 802- 1966	12H 807- 1992						
A01		1		1	695550	Startmotor kpl	Starter motor assy			
A02		1		1	494147	• Drev kpl	• Drive kit			
A03		1		1	93941	•• Låsring	•• Retainer			
A04		1		1	691325	•• Snäckdrev	•• Starter spline			
A05		1		1	691918	•• Drev	•• Pinion gear			
A06		1		1	692341	•• Lock	•• Cover			
A07		3		3	690345	•• Skruv	•• Screw			
A08		1		1	692352	•• Packning	•• Gasket			
A09		1		1	692358	•• Koppling	•• Drive clutch			
A10		1		1	691269	•• Drev	•• Pinion gear			
A11		1		1	690786	• Rotor	• Starter armature			
A12		1		1	492919	• Brickor	• Washer set			
A13		2		2	692327	• Bult	• Bolt			
A14		1		1	695266	• Starthus	• Starter housing			
A15		1		1	695267	• Bottenkåpa	• End cap			
A16		1		1	695268	• Kabeladapter	• Wire adapter			
A17		1		1	690782	• Lock	• Drive cap			
A18		2		2	691127	Skruv	Screw			
B01	1	1	1	1	497680	Start kpl	Starter assy			
B02	1	1	1	1	691421	• Starthus	• Starter housing			
B03	4	4	4	4	690837	• Skruv	• Screw			
B04	4	4	4	4	690800	• Mutter	• Nut			
B05	1	1	1	1	281434	• Starthandtag	• Handle			
B06	1	1	1	1	692259	• Startsnöre	• Starter rope			
B06	1	1	1	1	697316	• Startsnöre	• Starter rope			
B07	2	2	2	2	281505	• Startklo	• Starter pawl			
B08	1	1	1	1	691855	• Friktionsfjäder	• Friction spring			
B09	1	1	1	1	692299	• Spärrplatta	• Pawl friction plate			
B10	1	1	1	1	691696	• Skruv	• Screw			
B11	1	1	1	1	498144	• Linhjul m. fjäder	• Pulley/spring			
B12	1	1	1	1	498144	• Linhjul m. fjäder	• Pulley/spring			

X

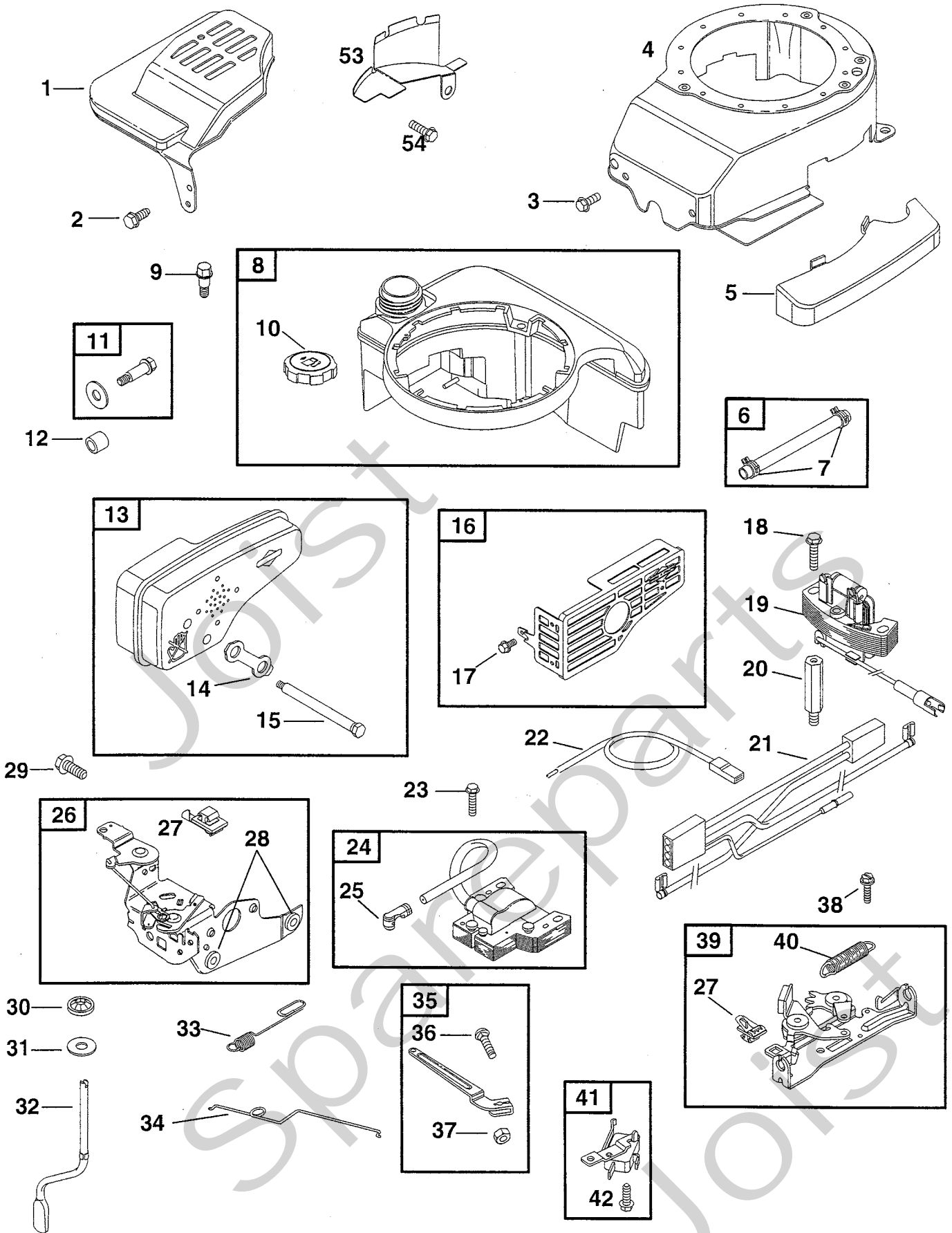


Utgåva Issue 2004-12		Bildnr Picture No 1278A		BRIGGS & STRATTON 12H802, 12H807 PACKNINGSSATS		BRIGGS & STRATTON 12H802, 12H807 GASKET SET		Sida Page 400	
Pos. Fig.	Antal/Quantity				Art nr Part No	Benämning	Description	Sats Kit	Anmärkning Notes
	12H 802- 1935	12H 807- 1936	12H 802- 1966	12H 807- 1992					
A01	1	1	1	1	299819	• Tätningsring	• Oil seal		
A03	1	1	1	1	399781	• Tätningsring	• Oil seal		
A04	1	1	1	1	272653	• Packning.....	• Gasket		
A05	1	1	1	1	270344	• Tätning	• Seal		
A06	1	1	1	1	493823	• Distans	• Spacer		
A07	1	1	1	1	272199	• Packning.....	• Gasket		
A08	1	1	1	1	691879	• Packning.....	• Gasket		
A09	1	1	1	1	691031	• O- ring.....	• O- ring		
A10	1	1	1	1	692296	• Tätningsring	• Tube seal		
A11	1	1	1	1	692232	• Packning.....	• Gasket		
A12	1	1	1	1	692249	• Packning.....	• Gasket		
A14	1	1	1	1	691242	• Flottöraxel.....	• Float hinge pin.....		
A15	1	1	1	1	694468	• Expansionsbricka.....	• Welch plug		
A16	1	1	1	1	398188	• Bränslenål.....	• Inlet valve		
A17	1	1	1	1	693981	• Packning.....	• Gasket		
A18	1	1	1	1	271716	• Tätningsbricka.....	• Sealing washer.....		
A19	1	1	1	1	691321	• Dammtätning	• Dust seal		
A21	1	1	1	1	498260	Rep.sats förgasare.....	Carb. overhaul kit.....		
A22	1	1	1	1	498261	Packn.sats- förg.....	Gasket set- carb.		
A23	1	1	1	1	497316	Packn.sats- motor.....	Gasket set- engine.....		



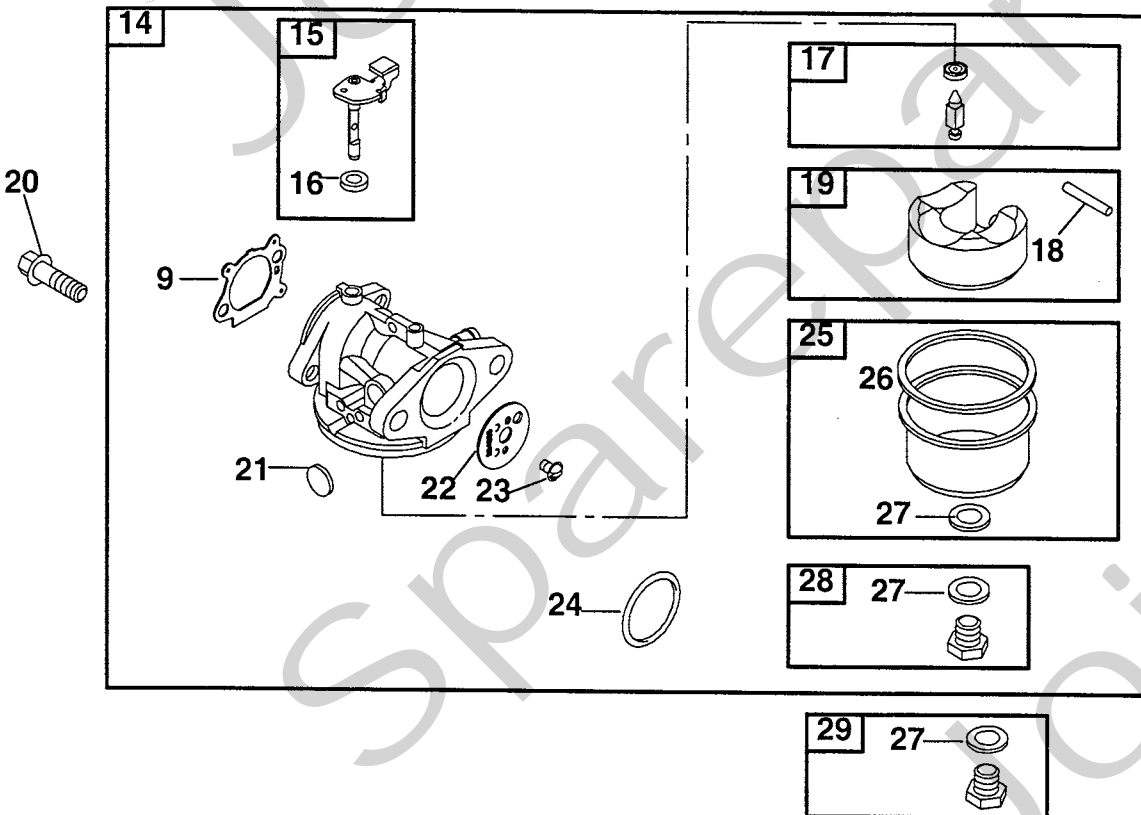
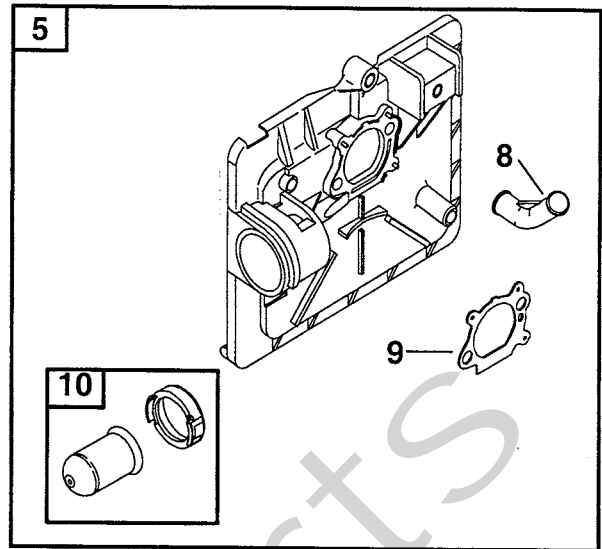
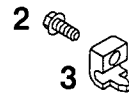
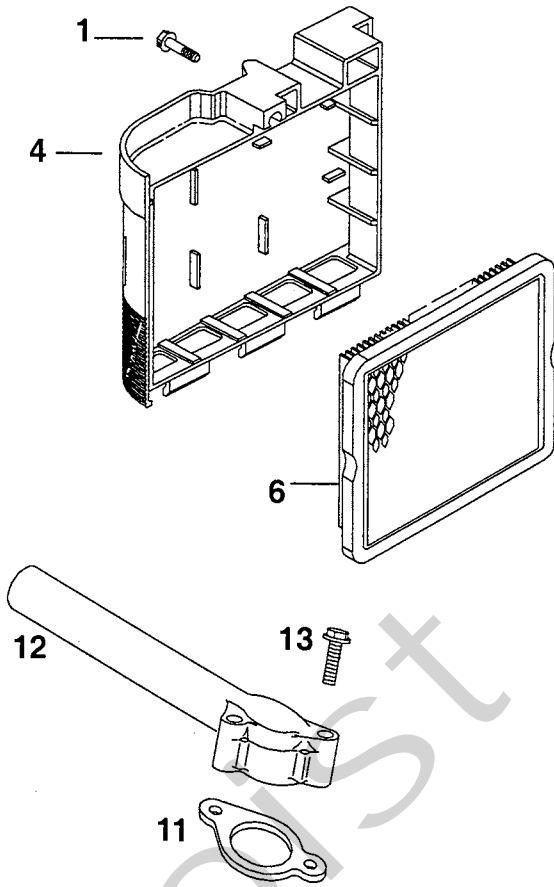
Utgåva Issue 2004-12		Bildnr Picture No 1745		BRIGGS & STRATTON 12H802, 12H807 CYLINDER VEVAXEL		BRIGGS & STRATTON 12H802, 12H807 CYLINDER CRANKSHAFT		Sida Page 402
Pos. Fig.	Antal/Quantity			Art nr Part No	Benämning	Description	Sats Kit	Anmärkning Notes
	12H 802- 2004	12H 807- 2003						
X	A01	1	1	690662	Mutter.....	Flywheel nut.....		
	A02	1	1	695161	Svånghjulskopp.....	Flywheel cup.....		
	A03	1	1	691919	Skydd.....	Rewind guard.....		
	A04	1	1	691987	Svånghjul.....	Flywheel.....		
	A04	1	1	692315	Svånghjul.....	Flywheel.....		
	A05	1	1	697734	Lock.....	Cover.....		
	A06	4	4	690345	Skruv.....	Screw.....		
	A07	1	1	691879	Packning.....	Gasket.....		
	A08	1	1	399269	• Bussning.....	• Bushing.....		
	A09	1	1	697322	Cylinder kpl.....	Cylinder assy.....		
	A10	1	1	299819	Tätningring.....	Oil seal.....		
	A11	1	1	499675	Ventilationsrör.....	Breather tube.....		
	A11	1	1	691781	Ventilationsrör.....	Breather tube.....		
	A12	1	1	690450	Cylinderskydd.....	Cylinder shield.....		
	A13	1	1	690345	Skruv.....	Screw.....		
	A14	1	1	691155	• Ventilåsa- insug.....	• Valve seat- intake.....		
	A15	1	1	690380	• Ventilåsa- utblås.....	• Valve seat- exhaust.....		
	A16	1	1	262001	• Ventilstyrning- utblås.....	• Valve guide- exhaust.....		
	A16	1	1	63709	• Ventilstyrning- insug.....	• Guide- intake valve.....		
	A17	1	1	695250	Vevhusventilation.....	Breather.....		
X	A18	1	1	699472	• Packning.....	• Gasket.....		
	A19	2	2	691125	Skruv.....	Screw.....		
	A20	1	1	493279	Vevhus.....	Engine sump.....		
	A21	1	1	692232	• Packning.....	• Gasket.....		
	A22	1	1	691680	Oljeavtappningsplugg.....	Oil drain plug.....		
	A23	1	1	399781	• Tätningring.....	• Oil seal.....		
	A24	7	7	691092	Skruv.....	Screw.....		
	A25	1	1	692249	Packning.....	Gasket.....		
	A26	1	1	691160	Topplöck.....	Cylinder head.....		
	A27	1	1	1111- 9029- 01	Tändstiftsnyckel.....	Spark plug wrench.....		
	A28	1	1	9400- 0225- 00	Tändstift.....	Spark plug.....		Champion J19LM
	A29	1	1	66538	Tändstiftsskydd.....	Spark plug elbow.....		
	A30	8	8	690912	Skruv.....	Screw.....		
	B01	1	1	692017	Oljesticka kpl.....	Oil dipstick assy.....		
	B02	1	1	495264	• Oljesticka.....	• Oil dipstick.....		
	B03	1	1	690940	Skruv.....	Screw.....		
	B04	1	1	691031	• O- ring.....	• O- ring.....		
	B05	1	1	495265	• Oljepåfyllningsrör.....	• Oil filler tube.....		
	B06	1	1	692296	• Tätningring.....	• Tube seal.....		
	B07	1	1	499423	Kolvbult.....	Piston pin.....		
	B08	2	2	691866	• Låsring.....	• Lock ring.....		
X	B09	1	1	691451	Vevaxel.....	Crankshaft.....		
	B10	1	1	222698	Kil.....	Key.....		
X	B11	1	1	790345	• Drev.....	• Timing gear.....		
	B12	1	1	499424	Vevstake.....	Connecting rod.....		
	B13	1	1	691664	• Skruv.....	• Screw.....		
	B14	1	1	695759	• Skruv.....	• Screw.....		
	B15	1	1	691449	Kamaxel.....	Camshaft.....		
	B16	1	1	691997	Oljeslångare.....	Oil slinger.....		
	B17	2	2	690548	Ventilyftare.....	Valve tappet.....		
	B18	2	2	692194	Ventilhållare.....	Valve retainer.....		
	B19	1	1	691270	Ventilfjäder.....	Valve spring.....		
	B20	1	1	691270	Ventilfjäder.....	Valve spring.....		
	B21	1	1	262651	Utblåsningsventil.....	Exhaust valve.....		
	B22	1	1	262652	Insugningsventil.....	Intake valve.....		
X	B23	1	1	790359	Kolv.....	Piston.....		Standard
X	B24	1	1	790360	• Kolvringssats.....	• Ring set.....		Standard

A



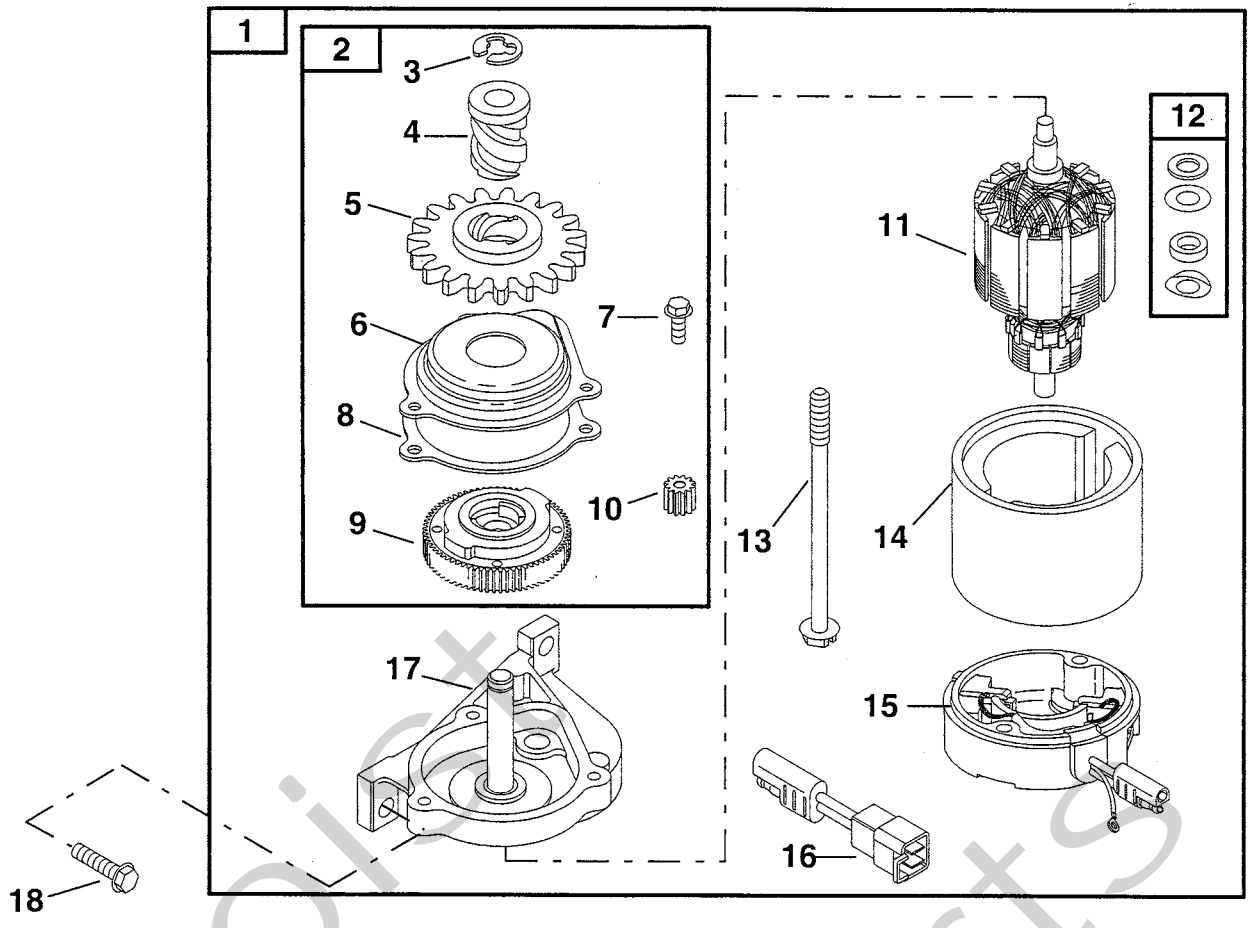
Utgåva Issue		Bildnr Picture No		BRIGGS & STRATTON 12H802, 12H807 BRÄNSLETANK REGULATOR		BRIGGS & STRATTON 12H802, 12H807 FUEL TANK GOVERNOR		Sida Page
2004- 12		1275						404
Pos. Fig.	Antal/Quantity			Art nr Part No	Benämning	Description	Sats Kit	Anmärkning Notes
	12H 802- 2004	12H 807- 2003						
A01	1	1		691757	Lock.....	Control cover		
A02		1		690345	Skruv	Screw		
A02	1			690664	Skruv	Screw		
A03	4	4		691108	Skruv	Screw		
A04	1	1		493293	Fläkthus	Blower housing		
A05	1	1		690595	Lock.....	Brake cover		
A06	1			691050	Bränsleslang	Fuel line		
A06		1		691371	Bränsleslang	Fuel line		
A07	2	2		95162	Slangklämma	Hose clamp		
X A08	1	1		699374	Bränsletank	Fuel tank		
A09	2	2		690940	Skruv	Screw		
A10	1	1		397974	• Tanklock	• Fuel cap		
A11	1	1		692311	Skruv/bricka	Screw/washer		
A12	1	1		692294	Distans	Spacer		
A13	1	1		692038	Ljuddämpare	Muffler		
A14	1	1		691740	• Låsbleck	• Screw lock		
X A15	2	2		691340	• Skruv	• Screw		
X A16	1	1		497683	Skydd	Guard		
A17	2	2		690664	• Skruv	• Screw		
A18		2		692979	Skruv	Screw		
A19		1		691991	Generator	Alternator		
A20		2		691094	Pinnbult	Stud		
A21		1		696547	Kablage	Wiring harness		
A22	1	1		692390	Stoppkabel	Stop wire		
A23	2	2		691061	Skruv	Screw		
A24	1	1		802574	Tändsystem	Magneto armature		
A25	1	1		493880	• Anslutningshylsa	• Terminal		
X A26	1	1		790143	Reglageplåt	Control bracket		
A27	2	2		692310	• Stoppkontakt	• Stop switch		
A28	1	1		493823	• Distans	• Spacer		2 st/includes 2
X A29	2	2		693399	Skruv	Screw		
A30	1	1		690340	Hållare	Retainer		
A31	1	1		690272	Bricka	Washer		
A32	1	1		698801	Regulatoraxel	Governor crank		
A33	1	1		691292	Regulatorfjäder	Governor spring		
A34	1	1		691829	Regulatorlänk	Governor link		
A35	1	1		690783	Regulatorarm	Govern. control lever		
A36	1	1		691119	• Bult	• Bolt		
A37	1	1		691251	• Mutter	• Nut		
A38	2	2		691648	Skruv	Screw		
A39	1	1		691994	Broms	Brake		
A40	1	1		691831	• Bromsfjäder	• Brake spring		
A41		1		499421	Brytare	Switch		
A42		1		691627	• Skruv	• Screw		
A53	1			694086	Svånghjulsskydd	Flywheel guard		
A54	1			691108	Skruv	Screw		

A

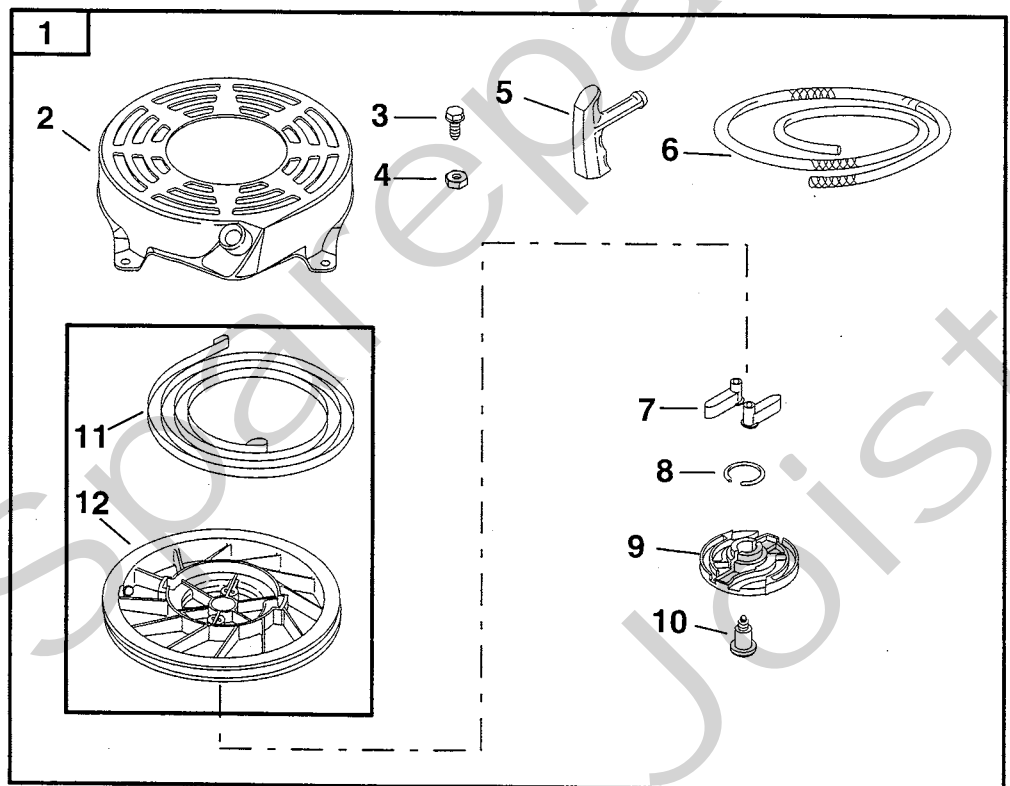


Utgåva Issue		Bildnr Picture No		BRIGGS & STRATTON 12H802, 12H807 LUFTFILTER FÖRGASARE		BRIGGS & STRATTON 12H802, 12H807 AIR CLEANER CARBURETTOR		Sida Page	
2004-12		1276B						406	
Pos. Fig.	Antal/Quantity			Art nr Part No	Benämning	Description	Sats Kit	Anmärkning Notes	
	12H 802- 2004	12H 807- 2003							
A01	1	1		690670	Skruv	Screw			
A02	1	1		691044	Skruv	Screw			
A03	1	1		690798	Wireklämna	Casing clamp			
A04	1	1		692298	Luftrenarlock	Air cleaner cover			
A05	1	1		496116	Luftrenarfäste	Air cleaner base			
A06	1	1		491588	Pappersfilter	Air filter			
A07	2	2		692523	Skruv	Screw			
A08	1	1		691923	• Hylsa	• Grommet			
A09	1	1		272653	• Packning	• Gasket			
A10	1	1		694395	• Primer	• Primer			
A11	1	1		272199	Packning	Gasket			
A12	1	1		497465	Insugningsrör	Intake pipe			
A13	2	2		691650	Skruv	Screw			
A14	1	1		498170	Förgasare kpl	Carburettor assy			
A15	1	1		696565	• Spjällaxel	• Throttle shaft			
A16	1	1		691321	•• Dammtätning	•• Dust seal			
A17	1	1		398188	• Bränslenål	• Inlet valve			
A18	1	1		691242	•• Flottöraxel	•• Float hinge pin			
A19	1	1		398187	• Flottör	• Float			
A20	2	2		692524	Skruv	Screw			
A21	1	1		694468	• Expansionsbricka	• Welch plug			
A22	1	1		696564	• Gasspjäll	• Throttle valve			
A23	1	1		691636	• Skruv	• Screw			
A24	1	1		270344	• Tätning	• Seal			
A25	1	1		493640	• Flottörhus	• Bowl			
A26	1	1		693981	•• Packning	•• Gasket			
A27	1	1		271716	•• Tätningsbricka	•• Sealing washer			
A28	1	1		498978	• Huvudmunstycke	• Main jet		Standard	
A29	1	1		494870	Huvudmunstycke	Main jet		High altitude	

A



B

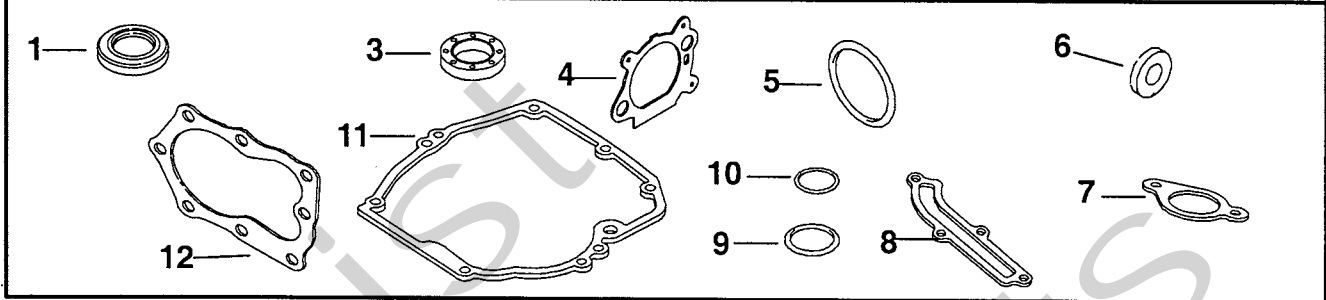


Utgåva Issue 2004-12		Bildnr Picture No 1277		BRIGGS & STRATTON 12H802, 12H807 STARTMOTOR SNÖRSTART		BRIGGS & STRATTON 12H802, 12H807 STARTER MOTOR REWIND STARTER		Sida Page 408	
Pos. Fig.	Antal/Quantity			Art nr Part No	Benämning	Description	Sats Kit	Anmärkning Notes	
	12H 802- 2004	12H 807- 2003							
A01		1		695550	Startmotor kpl	Starter motor assy			
A02		1		494147	• Drev kpl	• Drive kit			
A03		1		93941	• • Låsring	• • Retainer			
A04		1		691325	• • Snäckdrev	• • Starter spline			
A05		1		691918	• • Drev	• • Pinion gear			
A06		1		692341	• • Lock	• • Cover			
A07		3		690345	• • Skruv	• • Screw			
A08		1		692352	• • Packning	• • Gasket			
A09		1		692358	• • Koppling	• • Drive clutch			
A10		1		691269	• • Drev	• • Pinion gear			
A11		1		690786	• Rotor	• Starter armature			
A12		1		492919	• Brickor	• Washer set			
A13		2		692327	• Bult	• Bolt			
A14		1		695266	• Starthus	• Starter housing			
A15		1		695267	• Bottenkåpa	• End cap			
A16		1		695268	• Kabeladapter	• Wire adapter			
A17		1		690782	• Lock	• Drive cap			
A18		2		691127	Skruv	Screw			
B01	1	1		497680	Start kpl	Starter assy			
B02	1	1		691421	• Starthus	• Starter housing			
B03	4	4		690837	• Skruv	• Screw			
B04	4	4		690800	• Mutter	• Nut			
B05	1	1		281434	• Starthandtag	• Handle			
B06	1	1		697316	• Startsnöre	• Starter rope			
B07	2	2		281505	• Startklo	• Starter pawl			
B08	1	1		691855	• Friktionsfjäder	• Friction spring			
B09	1	1		692299	• Spärrplatta	• Pawl friction plate			
B10	1	1		691696	• Skruv	• Screw			
B11	1	1		498144	• Linhjul m.fjäder	• Pulley/spring			
B12	1	1		498144	• Linhjul m.fjäder	• Pulley/spring			

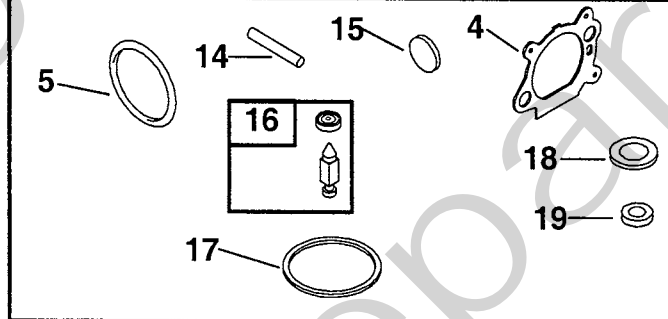
X

Spareparts Joist

23 ENGINE GASKET SET



21 CARBURETOR OVERHAUL KIT



22 CARBURETOR GASKET SET



Utgåva Issue		Bildnr Picture No		BRIGGS & STRATTON 12H802, 12H807 PACKNINGSSATS		BRIGGS & STRATTON 12H802, 12H807 GASKET SET		Sida Page	
2004- 12		1278A						410	
Pos. Fig.	Antal/Quantity			Art nr Part No	Benämning	Description	Sats Kit	Anmärkning Notes	
	12H 802- 2004	12H 807- 2003							
A01	1	1		299819	• Tätningssring	• Oil seal			
A03	1	1		399781	• Tätningssring	• Oil seal			
A04	1	1		272653	• Packning	• Gasket			
A05	1	1		270344	• Tätning	• Seal			
A06	1	1		493823	• Distans	• Spacer			
A07	1	1		272199	• Packning	• Gasket			
A08	1	1		691879	• Packning	• Gasket			
A09	1	1		691031	• O-ring	• O-ring			
A10	1	1		692296	• Tätningssring	• Tube seal			
A11	1	1		692232	• Packning	• Gasket			
A12	1	1		692249	• Packning	• Gasket			
A14	1	1		691242	• Flottöraxel	• Float hinge pin			
A15	1	1		694468	• Expansionsbricka	• Welch plug			
A16	1	1		398188	• Bränslenål	• Inlet valve			
A17	1	1		693981	• Packning	• Gasket			
A18	1	1		271716	• Tätningssbricka	• Sealing washer			
A19	1	1		691321	• Dammtätning	• Dust seal			
A21	1	1		498260	Rep.sats förgasare	Carb. overhaul kit			
A22	1	1		498261	Packn.sats- förg.	Gasket set- carb.			
A23	1	1		497316	Packn.sats- motor	Gasket set- engine			