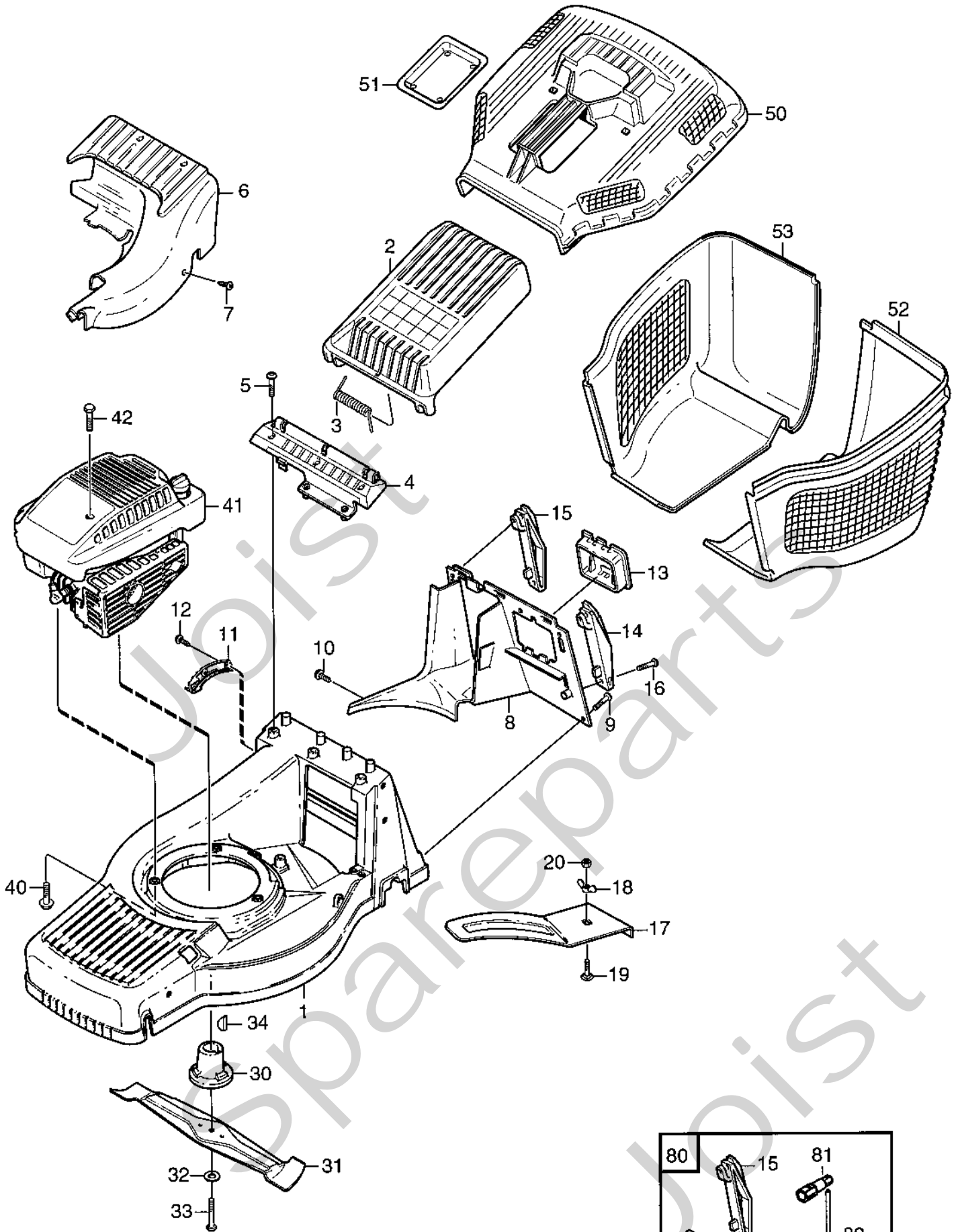


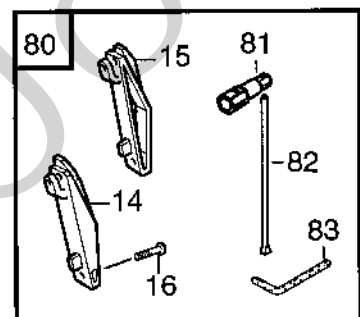
Genuine Spare Parts



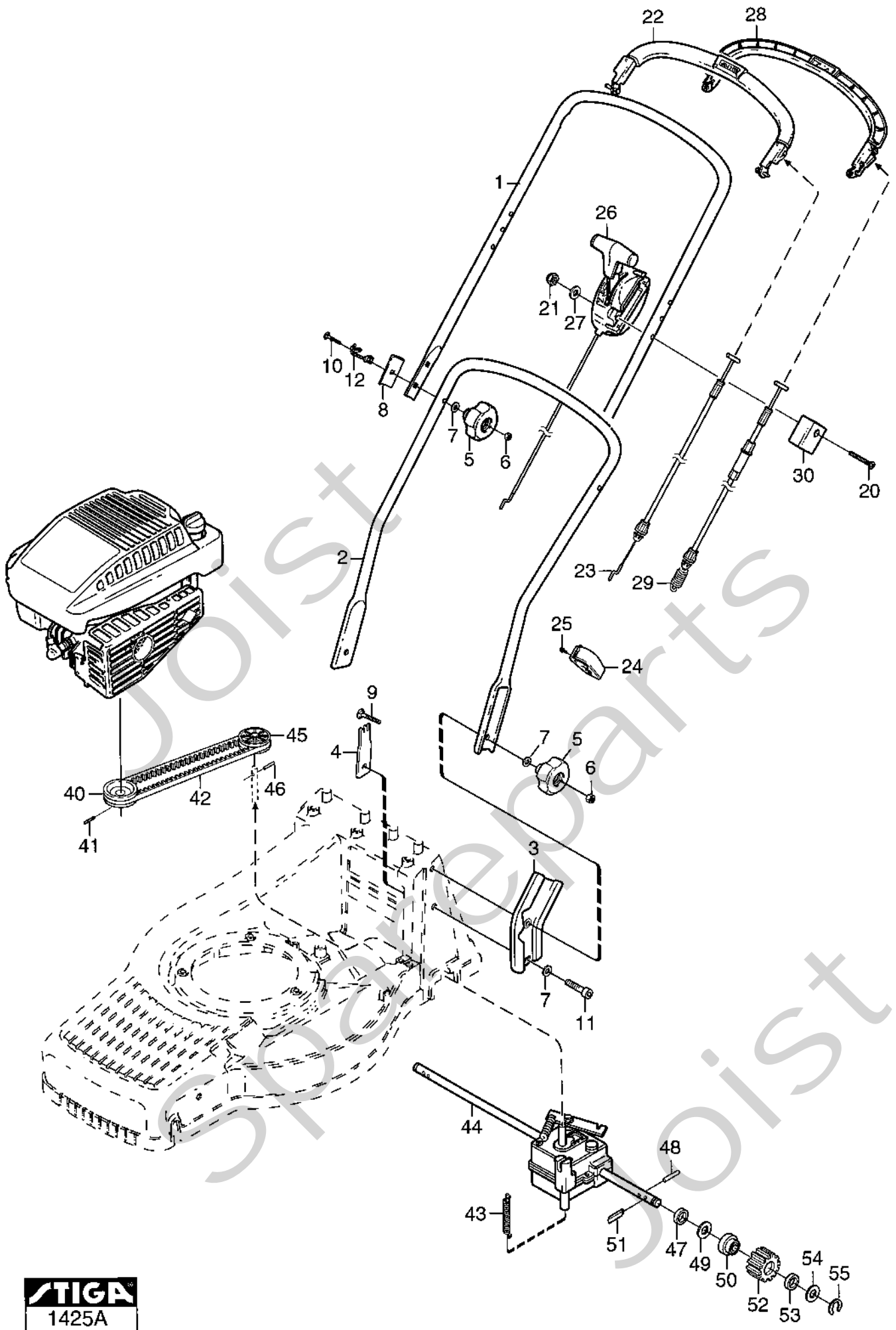
Joist
Spareparts
Joist



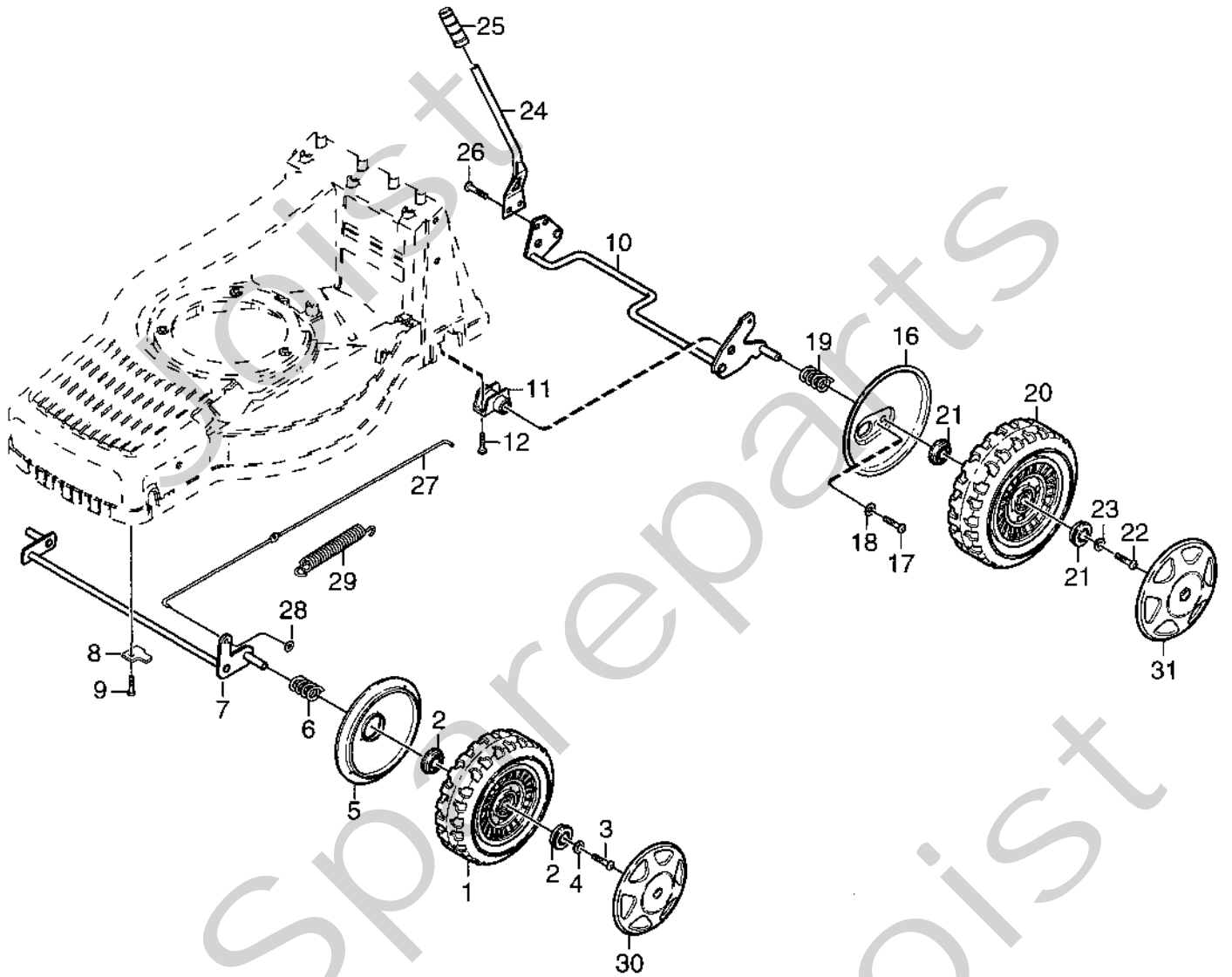
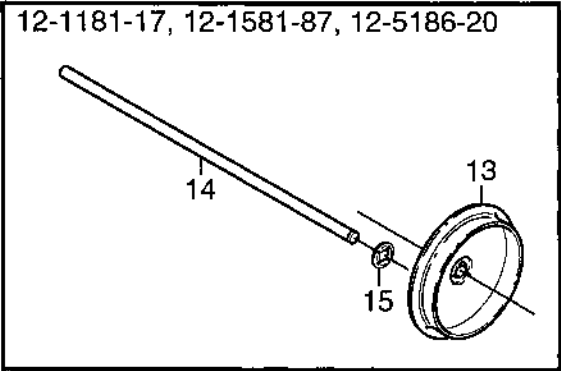
STIGA
1369A
SPARE PARTS



Utgåva Issue		Bildnr Picture No				TURBO 43- 43S HERKULES MB430- MB432 MAJOR ALU 43S CHASSI		TURBO 43- 43S HERKULES MB430- MB432 MAJOR ALU 43S CHASSIS		Sida Page
2003- 43		1369A								190
Pos. Fig.	Antal/Quantity				Art nr Part No	Benämning	Description	Sats Kit	Anmärkning Notes	
	1181 1281	1581	1681	1586 1686 1798						
X 1	1				1111-3100-01	Chassi- gul.....	Chassis- yellow			
1		1		1	1111-3100-16	Chassi- röd	Chassis- red			
1			1		1111-3100-50	Chassi- aluminium	Chassis- aluminium			
2	1				1111-3282-01	Lucka- gul.....	Flap- yellow			
2		1	1	1	1111-3282-02	Lucka- svart.....	Flap- black			
3	1	1	1	1	1111-3181-01	Fjäder.....	Spring			
4	1				1111-3104-01	Luckinfästning- gul	Flap attachm.- yellow			
4		1	1	1	1111-3104-02	Luckinfästning- svart	Flap attachm.- black			
5	3	3	3	3	9947-0616-16	Skruv	Screw			
6	1				1111-3102-01	Täckåpa- gul.....	Cover- yellow			
X 6		1		1	1111-3102-04	Täckåpa- röd	Cover- red			
			1		1111-3102-05	Täckåpa- svart.....	Cover- black			
7	3	3	3	3	9838-9522-12	Skruv	Screw			
8		1			1111-3101-01	Bakstam.....	Rear attachment.....			
8	1	1	1	1	1111-3337-01	Bakstam.....	Rear attachment.....			
9	3	3	3	3	9947-0616-16	Skruv	Screw			
10	1	1	1	1	9838-9522-12	Skruv	Screw			
11	1	1	1	1	1111-2798-01	Höjdinst. segment	Height adj. quadrant.....			
12	2	2	2	2	9838-9522-12	Skruv	Screw			
13	1	1	1	1	1111-2927-01	Batterihållare	Battery holder		E/not on 12-1798-87	
14	1	1	1	1	1111-3236-01	• Hållare- vä.....	• Attachment- LH.....			
15	1	1	1	1	1111-3237-01	• Hållare- hö.....	• Attachment- RH.....			
16	4	4	4	4	9836-9520-12	• Skruv	• Screw			
17	1	1	1	1	1111-3336-01	Mulcher plugg	Mulch plug			
18	1	1	1	1	1134-4481-01	Vingmutter.....	Wing nut			
19	1	1	1	1	9898-0820-16	Skruv	Screw			
20	1	1	1	1	9799-0831-02	Mutter.....	Nut			
30	1	1	1	1	1111-9070-01	Knivfäste.....	Blade holder			
31	1	1	1	1	1111-9089-01	Kniv	Blade			
32	1	1	1	1	9696-0011-01	Bricka	Washer			
33	1	1	1	1	9987-5251-12	Skruv	Screw			
34	1	1	1	1	9600-0014-00	Kil	Key			
40	3	3	3	3	9955-3732-12	Skruv	Screw			
41	1	1	1		1111-3287-01	Motorkåpa- svart	Engine cover- black			
41				1	1111-3352-01	Motorkåpa- svart	Engine cover- black			
42				2	9500-9907-01	Skruv	Screw			
42	2	2	2		9828-7942-12	Skruv	Screw			
50	1				1117-1345-01	Uppsamlarlock- gul.....	Top collector- yellow		Inkl. pos 51	
50		1	1	1	1117-1345-02	Uppsamlarlock- svart.....	Top collector- black		Inkl. pos 51	
51	1	1	1	1	1111-2764-01	• Täckbricka	• Cover			
52	1	1	1	1	1111-3106-01	Uppsamlare u- del vä	Collector- lower part			
53	1	1	1	1	1111-3116-01	Uppsamlare u- del hö.....	Collector- lower part			
X 80	1	1	1	1	1111-3569-01	Tillbehörspåse	Accessory bag.....		Inkl. pos 14-16,81-83	
X 81	1	1	1	1	1111-2921-01	• Tändstiftsnyckel.....	• Spark plug wrench			
X 82	1	1	1	1	1111-2113-01	• Vridpinne	• Rod			
X 83	1	1	1	1	9900-0060-00	• Insexnyckel.....	• Allen wrench			
X 99	1				1111-3588-01	Dekalsats	Label kit		STIGA	



Utgåva Issue		Bildnr Picture No		TURBO 43- 43S HERKULES MB430- MB432 MAJOR ALU 43S STYRE		TURBO 43-43S HERKULES MB430- MB432 MAJOR ALU 43S HANDLE		Sida Page	
2003- 43		1425A						192	
Pos. Fig.	Antal/Quantity				Art nr Part No	Benämning	Description	Sats Kit	Anmärkning Notes
	1181 1581	1586	1281 1681	1686					
1	1	1	1	1	1111-3112-01	Styre-överdel	Handlebar- upper part		
2	1	1	1	1	1111-3113-01	Styre-underdel	Handlebar- lower part		
3	2	2	2	2	1111-3021-01	Styrfästning	Handlebar attachment		
4	2	2	2	2	1111-3024-01	Fästplatta	Attachment plate		
5	4	4	4	4	1111-3023-01	Låsrott	Locking knob		
6	4	4	4	4	9795-3531-02	Mutter	Nut		
7	6	6	6	6	9699-0028-02	Planbricka	Flat washer		
8	2	2	2	2	1111-0178-00	Förstärkning	Reinforcement		
9	2	2	2	2	9899-3545-12	Skruv	Screw		L = 45 mm
10	2	2	2	2	9899-3557-12	Skruv	Screw		L = 57 mm
11	2	2	2	2	9939-0820-16	Skruv	Screw		
12	1	1	1	1	1111-3062-01	Ögla	Eyelink		
20	1		1		9948-0640-16	Skruv	Screw		L = 40 mm
20		1		1	9948-0660-16	Skruv	Screw		L = 60 mm
21	1	1	1	1	9747-0631-02	Låsmutter	Lock nut		
22	1	1	1	1	1111-2953-01	Manöverbygel	Control handle		
23	1		1		1111-2968-01	Motorbromswire	Engine brake cable		
23		1		1	1111-2968-03	Motorbromswire	Engine brake cable		
24	1	1	1	2	1111-2018-01	Kabelhållare	Cable holder		
25	1	1	1	2	9836-9216-12	Skruv	Screw		
26		1		1	1111-3351-01	Gasreglage	Throttle control		
27		1		1	9699-0060-02	Planbricka	Flat washer		
28			1	1	1111-2954-01	Manöverbygel	Control handle		
X 29			1	1	1111-3388-02	Kopplingswire	Clutch cable		
30	1	1	1	1	1111-2969-01	Wirefäste	Cable attachment		
40		1		1	1111-2915-01	Motorremskiva	Engine belt pulley		
41		1		1	9910-0612-16	Stoppskruv	Set screw		
42		1		1	1111-9053-01	Drivrem	Drive belt		
43		1		1	1111-2822-01	Dragfjäder	Tension spring		
X 44		1		1	1111-3396-01	Transmission	Transmission		
45		1		1	1111-3440-01	Remskiva	Belt pulley		
46		1		1	9595-0235-00	Spännstift	Locating pin		
47		2		2	9404-0083-00	Tätningring	Seal ring		
48		2		2	1111-2382-01	Cyl.pinne	Pin		
49		2		2	9695-0013-00	Bricka	Washer		
50		2		2	1111-2829-01	Låsbricka	Lock washer		
51		2		2	1111-3256-01	Drivkil	Drive key		
52		2		2	1111-3075-01	Kugghjul- plasthjul	Pinion- plastic wheel		
52			2	2	1111-3230-01	Kugghjul- alum. hjul	Pinion- alum. wheel		
53		2		2	1111-2830-01	Stödbricka	Support washer		
54		2		2	9695-0013-00	Bricka	Washer		
55		2		2	9652-0010-04	Låsring	Snap		



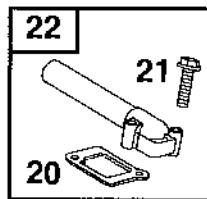
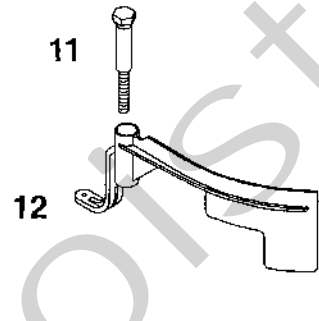
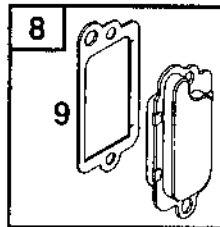
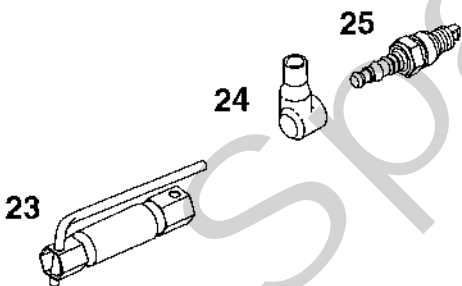
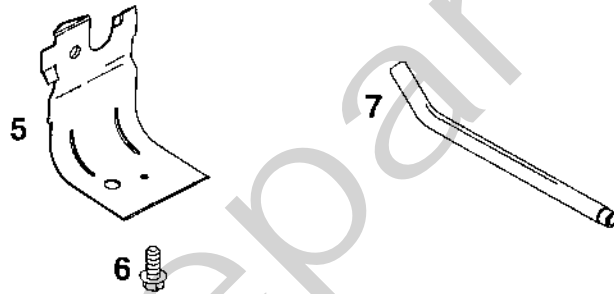
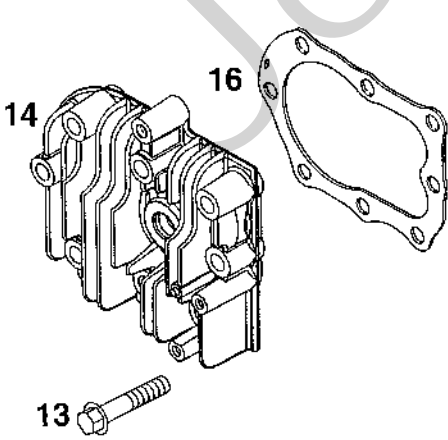
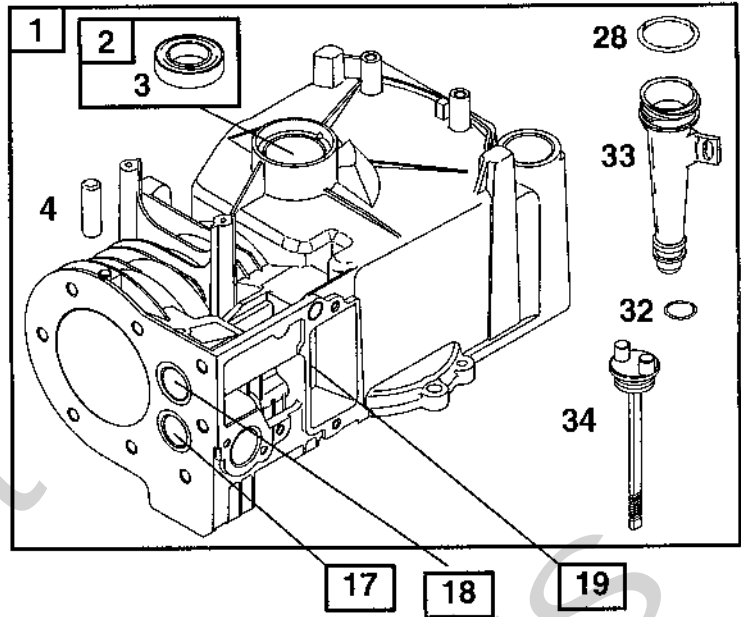
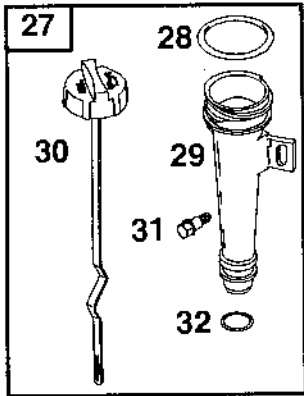
Utgåva Issue 2003-43		Bildnr Picture No 1427A		TURBO 43- 43S HERKULES MB430 MAJOR ALU 43S HJULUPPHÄNGNING		TURBO 43- 43S HERKULES MB430 MAJOR ALU 43S WHEEL SUSPENSION		Sida Page 196	
Pos. Fig.	Antal/Quantity			Art nr Part No	Benämning	Description	Sats Kit	Anmärkning Notes	
	1181 1581	1281	1681						
1	2	2	2	1111-2784-01	Hjul kpl	Wheel assy			
2	2	2	2	1111-3296-01	• Kullager	• Ball bearing			
3	2	2	2	9943-0612-16	Skruv	Screw			
4	2	2	2	9699-0100-02	Bricka	Washer			
5	2	2	2	1111-2785-01	Täckbricka	Wheel cover			
6	2	2	2	1111-1138-01	Fjäder	Spring			
7	1	1	1	1111-3466-03	Framaxel	Front axle			
8	2	2	2	1111-1504-01	Överfall	Retainer			
9	2	2	2	9947-0616-16	Skruv	Screw			
10	1	1	1	1111-3114-01	Bakaxel	Rear axle			
11	2	2	2	1111-2814-01	Bussning	Bushing			
12	4	4	4	9947-0616-16	Skruv	Screw			
13	2			1111-2782-01	Täckbricka	Wheel cover			
14	1			1111-2924-02	Axel	Axle			
15	2			9675-0017-02	Starlock	Lock washer			
16		2	2	1111-3395-01	Täckplåt	Cover plate			
17		2	2	9943-0610-16	Skruv	Screw			
18		2	2	9699-0060-02	Planbricka	Flat washer			
19	2	2	2	1111-3060-01	Fjäder	Spring			
20	2	2	2	1111-2665-01	Hjul kpl	Wheel assy			
21	2	2	2	1111-3296-01	• Kullager	• Ball bearing			
22	2	2	2	9943-0612-16	Skruv	Screw			
23	2	2	2	9699-0100-02	Bricka	Washer			
24	1	1	1	1111-2816-01	Spak	Height adj.lever			
25	1	1	1	1111-2817-01	Handtag	Lever knob			
26	2	2	2	9943-0612-16	Skruv	Screw			
27	1	1	1	1111-2818-02	Dragstång	Height adjusting rod			
28	2	2	2	9675-0011-00	Starlock	Starlock			
29	1	1	1	1111-2819-01	Fjäder	Spring			
30	2	2		1111-3084-01	Navkapsel- gul	Hub cap- yellow			
30			2	1111-3084-06	Navkapsel- svart	Hub cap- black			
30	2			1111-3084-07	Navkapsel- grå	Hub cap- grey			
31	2	2		1111-3085-01	Navkapsel- gul	Hub cap- yellow			
31			2	1111-3085-06	Navkapsel- svart	Hub cap- black			
31	2			1111-3085-07	Navkapsel- grå	Hub cap- grey			

X

Spares
Joist

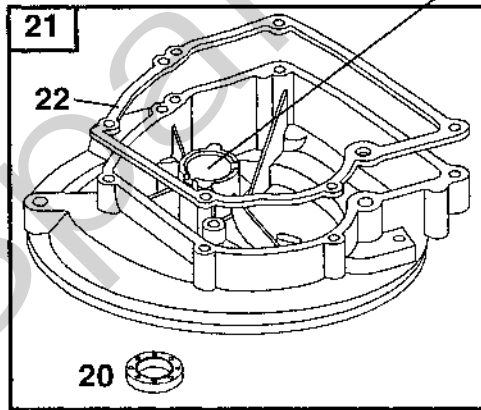
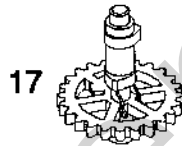
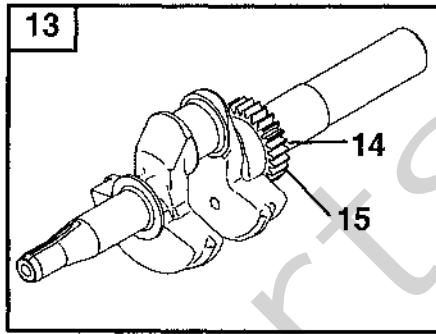
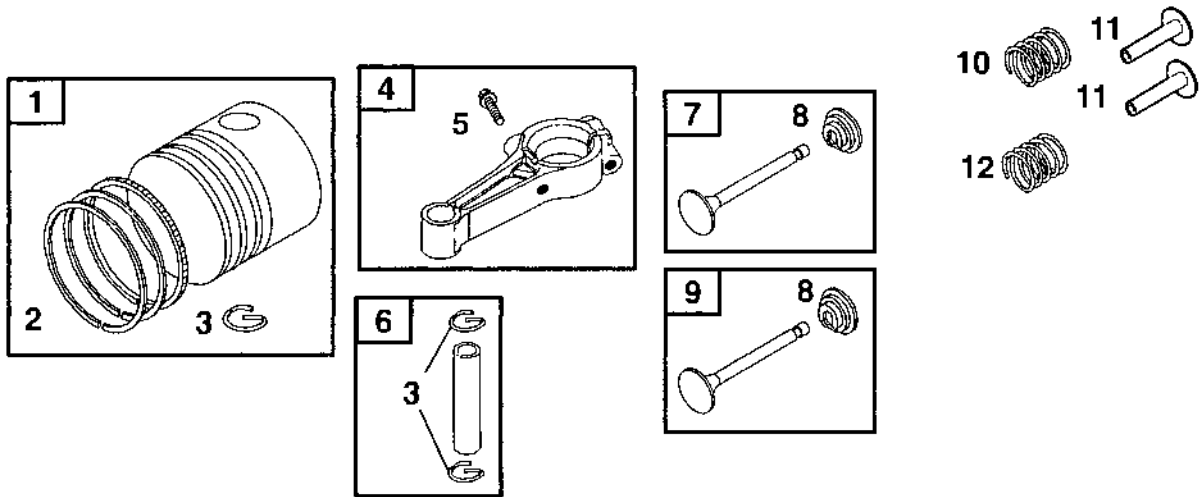
A

15 



Utgåva Issue 2003-43		Bildnr Picture No 1476		BRIGGS & STRATTON 10D902 CYLINDER		BRIGGS & STRATTON 10D902 CYLINDER		Sida Page 344	
Pos. Fig.	Antal/Quantity			Art nr Part No	Benämning	Description	Sats Kit	Anmärkning Notes	
	10D 902- 0129	10D 902- 0141	10D 902- 0142						
A01	1	1	1	399164	Cylinder kpl.....	Cylinder assy.....			
A02	1	1	1	399269	• Bussning.....	• Bushing.....			
A03	1	1	1	299819	• Tätningring.....	• Oil seal.....	S		
A04	2	2	2	690959	• Tapp.....	• Locating pin.....			
A05	1	1	1	690400	Skyddsplåt.....	Cylinder shield.....			
A06	1	1	1	690345	Skruv.....	Screw.....			
A07	1	1	1	691245	Rör.....	Breather tube.....			
A08	1	1	1	495785	Vevhusventilation.....	Breather.....			
A09	1	1	1	272602	• Packning.....	• Gasket.....	S		
A09	1	1	1	695890	• Packning.....	• Gasket.....	S		
A10	2	2	2	691666	Skruv.....	Screw.....			
A11	1	1	1	691107	Skruv.....	Screw.....			
A12	1	1	1	691912	Regulatorvinge.....	Governor blade.....			
A13	8	8	8	691697	Skruv.....	Screw.....			
A14	1	1	1	690386	Topplöck.....	Cylinder head.....			
A15	1	1	1	692889	Distans.....	Spacer.....			
A16	1	1	1	692288	Topplöckspackning.....	Cylinder head gasket.....	S		
A17	1	1	1	691702	• Ventilåte- utblås.....	• Valve seat- exhaust.....			
A18	1	1	1	691701	• Ventilåte- insug.....	• Valve seat- intake.....			
A19	1	1	1	231348	• Ventilstyrning- utblås.....	• Guide bushing- exhaust.....			
A19	1	1	1	63709	• Ventilstyrning- insug.....	• Guide- intake valve.....			
A20	1	1	1	270345	• Packning.....	• Gasket.....	S		
A21	2	2	2	691111	• Skruv.....	• Screw.....			
A22	1	1	1	693446	Insugningsrör.....	Intake manifold.....			
A23	1	1	1	1111-9029-01	Tändstiftsnyckel.....	Spark plug wrench.....			
A24	1	1	1	66538	Tändstiftsskydd.....	Spark plug elbow.....			
A25	1	1	1	9400-0225-00	Tändstift.....	Spark plug.....		Champion J19LM	
A27	1	1	1	691440	Oljesticka kpl.....	Dipstick assy.....			
A28	1	1	1	691870	• Tätningring.....	• Seal.....			
A29	1	1	1	691320	• Påfyllningsrör.....	• Dipstick tube.....			
A30	1	1	1	692040	• Oljesticka.....	• Dipstick.....			
A31	1	1	1	691002	• Skruv.....	• Screw.....			
A32	1	1	1	691876	• Tätningring.....	• Dipstick tube seal.....	S		
A33	1	1	1	694531	• Påfyllningsrör.....	• Dipstick tube.....			
A34	1	1	1	691913	• Oljesticka.....	• Oil dipstick.....			

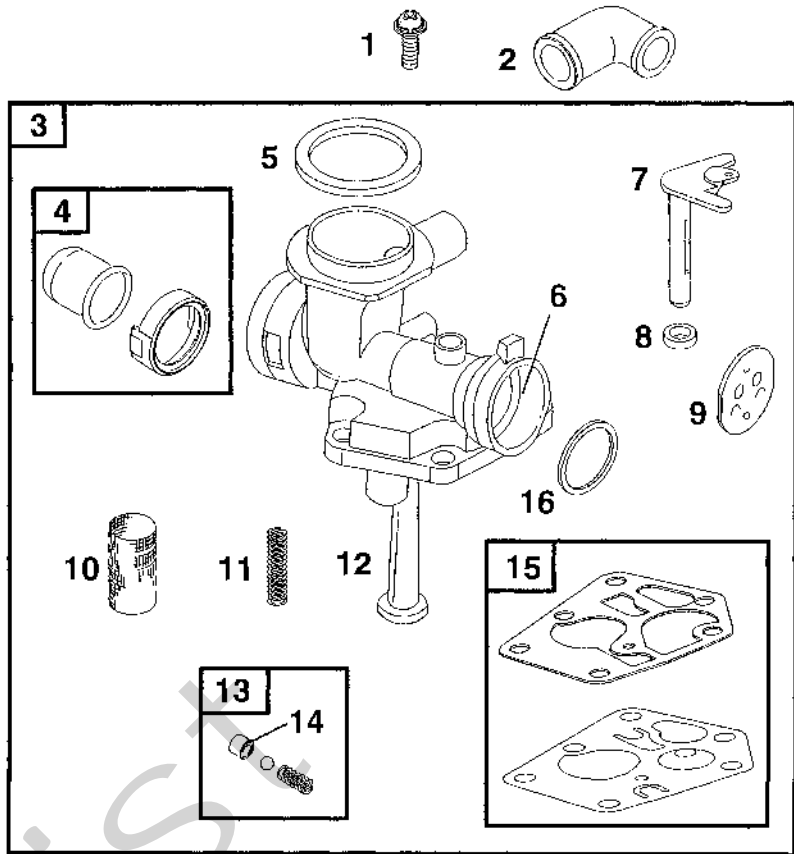
A



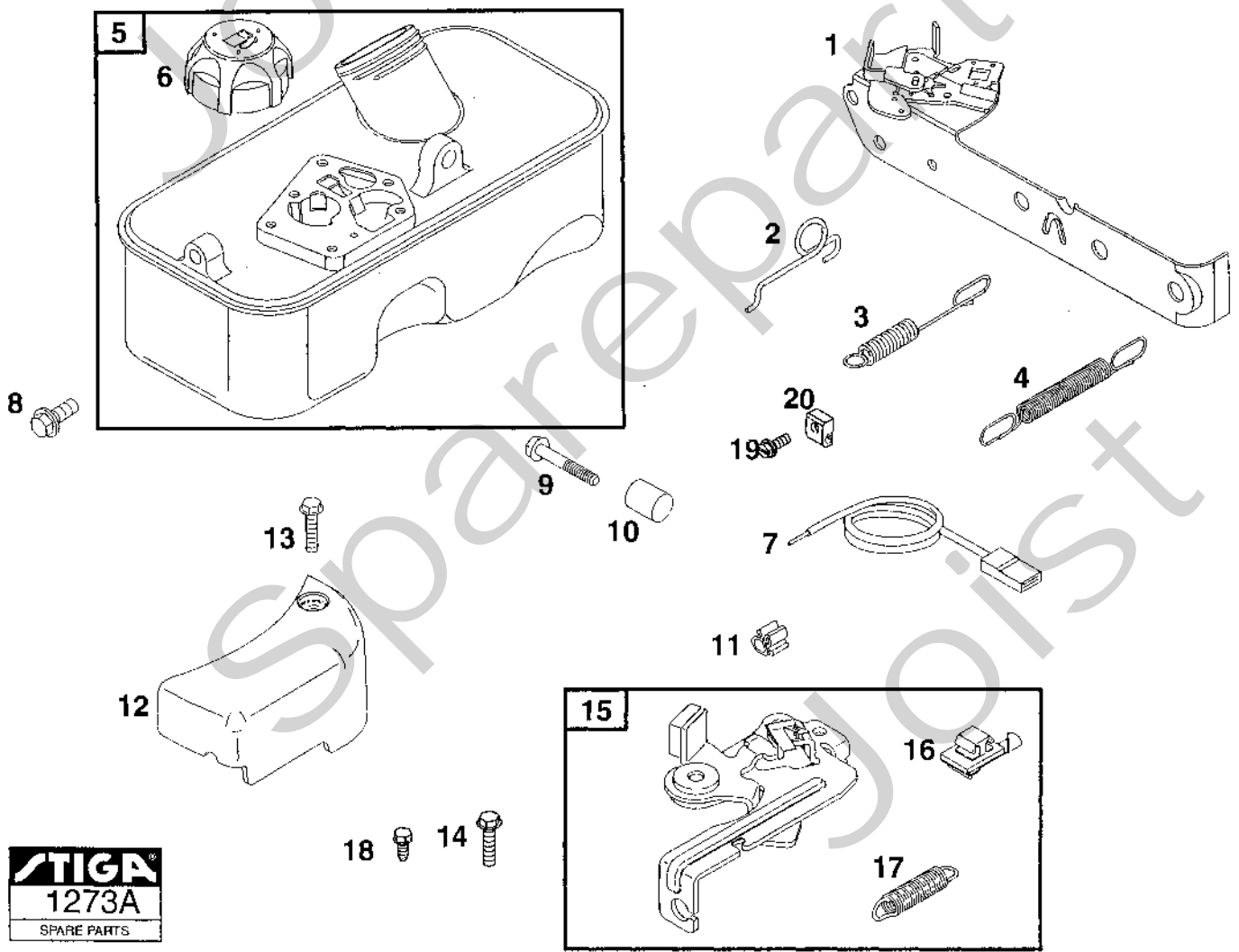
31 ENGINE GASKET SET

Utgåva Issue		Bildnr Picture No		BRIGGS & STRATTON 10D902 VEVAXEL VEVHUS		BRIGGS & STRATTON 10D902 CRANKSHAFT CRANKCASE		Sida Page	
2003-43		1477						346	
Pos. Fig.	Antal/Quantity			Art nr Part No	Benämning	Description	Sats Kit	Anmärkning Notes	
	10D 902- 0129	10D 902- 0141	10D 902- 0142						
A01	1	1	1	498668	Kolv kpl.....	Piston assy		Standard	
A01	1	1	1	498669	Kolv kpl.....	Piston assy010" oversize	
A01	1	1	1	498670	Kolv kpl.....	Piston assy020" oversize	
A01	1	1	1	498671	Kolv kpl.....	Piston assy030" oversize	
A02	1	1	1	498680	• Kolvringsatts.....	• Ring set.....		Standard	
A02	1	1	1	498681	• Kolvringsatts.....	• Ring set.....		.010" oversize	
A02	1	1	1	498682	• Kolvringsatts.....	• Ring set.....		.020" oversize	
A02	1	1	1	498683	• Kolvringsatts.....	• Ring set.....		.030" oversize	
A03	2	2	2	691588	• Låsring	• Piston pin lock			
A04	1	1	1	496792	Vevstake	Connecting rod			
A05	2	2	2	691664	• Skruv	• Screw			
A06	1	1	1	298908	Kolvbult kpl.....	Piston pin assy.....		.005" oversize	
A06	1	1	1	298909	Kolvbult kpl.....	Piston pin assy.....		Standard	
A07	1	1	1	296676	Utblåsningsventil	Exhaust valve			
A08	2	2	2	692194	• Ventilhållare	• Valve retainer			
A09	1	1	1	296677	Insugningsventil	Intake valve			
A10	1	1	1	690520	Ventilfjäder	Valve spring			
A11	2	2	2	691762	Ventilryftare	Valve tappet			
A12	1	1	1	690520	Ventilfjäder	Valve spring			
A13	1	1	1	691471	Vevaxel	Crankshaft.....			
A14	1	1	1	499047	• Stift	• Pin.....			
A15	1	1	1	691805	• Drev	• Timing gear.....			
A16	1	1	1	222698	Kil	Key			
A17	1	1	1	691998	Kamaxel.....	Camshaft.....			
A18	1	1	1	691983	Oljeslångare.....	Oil slinger.....			
A19	1	1	1	293709	• Bussning.....	• Bushing.....			
A20	1	1	1	391483	• Tätningsring	• Oil seal	S		
A21	1	1	1	395384	Vevhus.....	Oil sump			
A22	1	1	1	270895	• Vevhuspackning	• Crankcase gasket	S	.005" thick	
A22	1	1	1	270896	• Vevhuspackning	• Crankcase gasket	S	.009" thick	
A22	1	1	1	692218	• Vevhuspackning	• Crankcase gasket	S	.015" thick (Standard)	
A23	1	1	1	691680	Oljeavtappningsplugg	Oil drain plug			
A24	6	6	6	691662	Skruv	Screw			
A31	1	1	1	298989	Packningssats	Gasket set		Märkta/marked S	

A

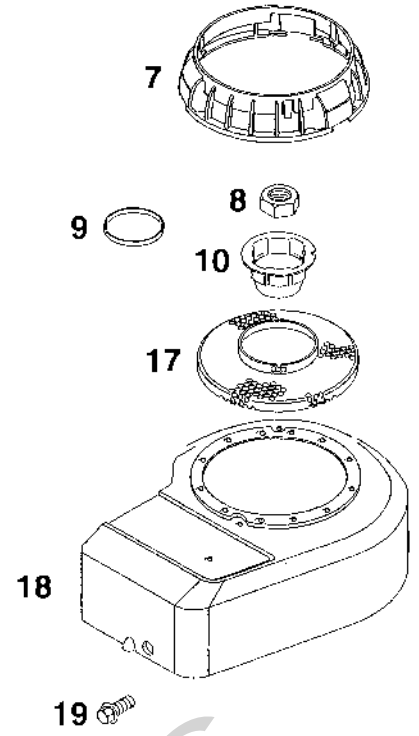
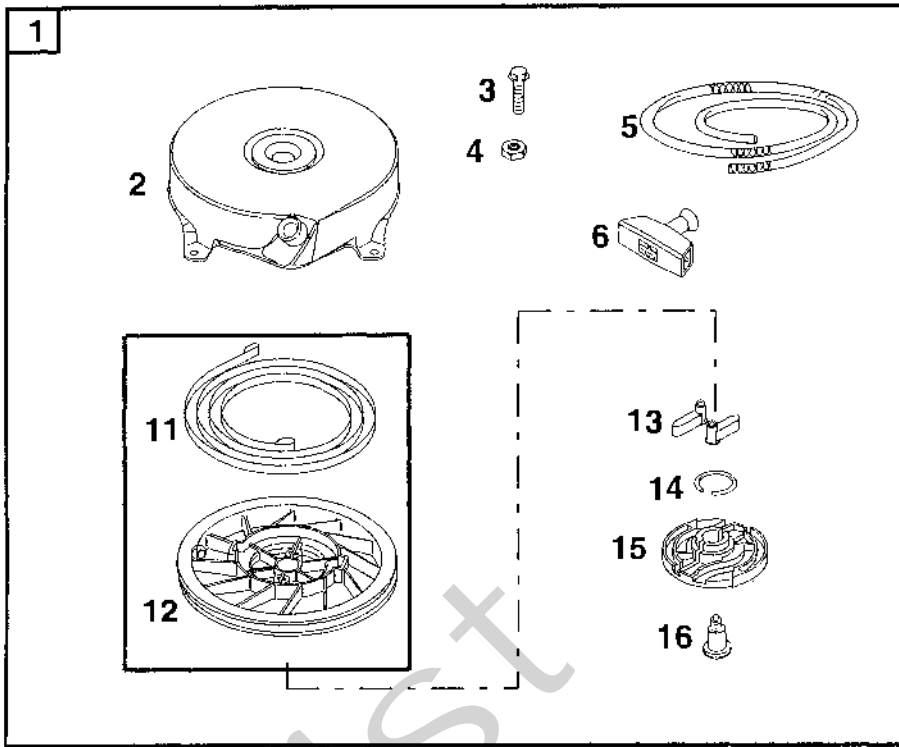


B

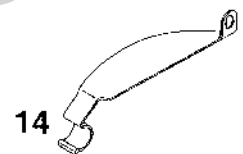
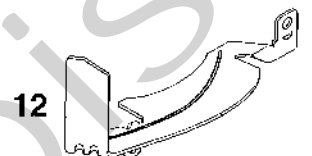
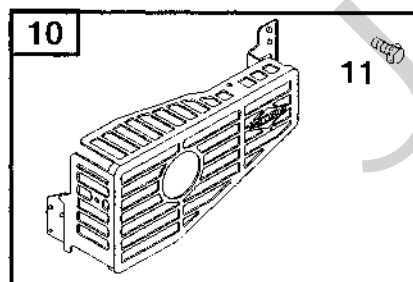
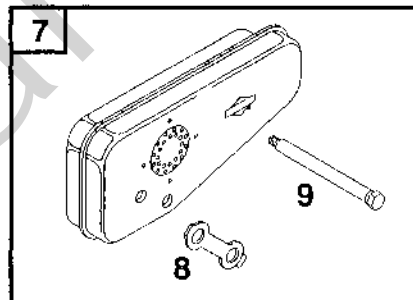
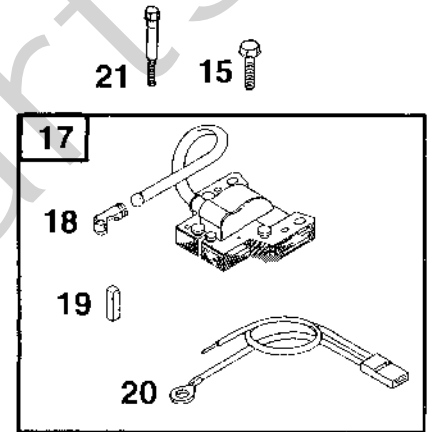
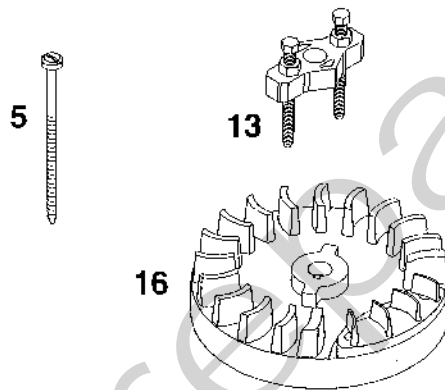
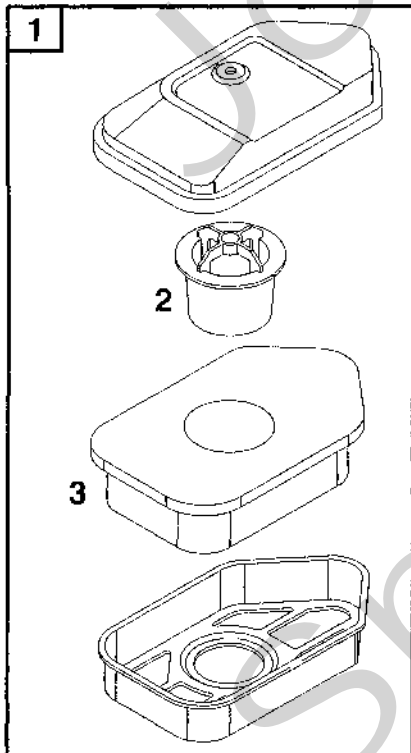


Utgåva Issue 2003-43		Bildnr Picture No 1273A		BRIGGS & STRATTON 10D902 FÖRGASARE BRÄNSLETANK		BRIGGS & STRATTON 10D902 CARBURETTOR FUEL TANK		Sida Page 348
Pos. Fig.	Antal/Quantity			Art nr Part No	Benämning	Description	Sats Kit	Anmärkning Notes
	10D 902- 0129	10D 902- 0141	10D 902- 0142					
A01	4	4	4	692200	Skruv	Screw		
A02	1	1	1	692189	Hylsa	Grommet		
A03	1	1	1	498811	Förgasare kpl	Carburettor assy		
A04	1	1	1	494408	• Primer	• Primer bulb		
A04	1	1	1	694394	• Primer	• Carburettor primer		
A05	1	1	1	271139	• Packning	• Gasket		
A06	1	1	1	270344	• Tätning	• Seal		
A07	1	1	1	691931	• Spjällaxel	• Throttle shaft		
A08	1	1	1	691321	• Dammtätning	• Dust seal		
A09	1	1	1	691190	• Gasspjäll	• Throttle valve		
A10	1	1	1	691837	• Nät	• Screen		
A11	1	1	1	691839	• Fjäder	• Spring		
A12	1	1	1	496046	• Bränslerör	• Fuel pipe		
A13	1	1	1	494409	• Ventilsåte	• Check valve seat		
A14	1	1	1	691901	• Såte	• Inlet seat		
A15	1	1	1	495770	• Membran	• Diaphragm		
A16	1	1	1	695866	• O-ring	• O-ring seal		
B01	1	1	1	691446	Reglageplåt	Control bracket		
B02	1	1	1	690347	Regulatorlänk	Air vane link		
B03	1	1	1	690251	Regulatorfjäder	Governor spring		
B03	1	1	1	690254	Regulatorfjäder	Governor spring		
B04	1	1	1	691859	Fjäder	Idle spring		
B05	1	1	1	494406	Bränsletank	Fuel tank		
B06	1	1	1	497929	• Tanklock	• Fuel cap		
B07	1	1	1	692390	Stoppkabel	Stop wire		
B08	1	1	1	692198	Skruv	Screw		
B09	1	1	1	691697	Skruv	Screw		
B10	1	1	1	691633	Distans	Spacer		
B11	1	1	1	690586	Wireklämma	Wire clip		
B12	1	1	1	691349	Kåpa	Linkage cover		
B13	1	1	1	691111	Skruv	Screw		
B14	2	2	2	691146	Skruv	Screw		
B15	1	1	1	691487	Broms	Brake		
B16	1	1	1	692310	• Stoppkontakt	• Stop switch		
B17	1	1	1	692135	• Bromsfjäder	• Brake spring		
B18	1	1	1	690859	Skruv	Screw		
B19	1	1	1	691044	Skruv	Screw		
B20	1	1	1	690798	Wireklämma	Casing clamp		

A

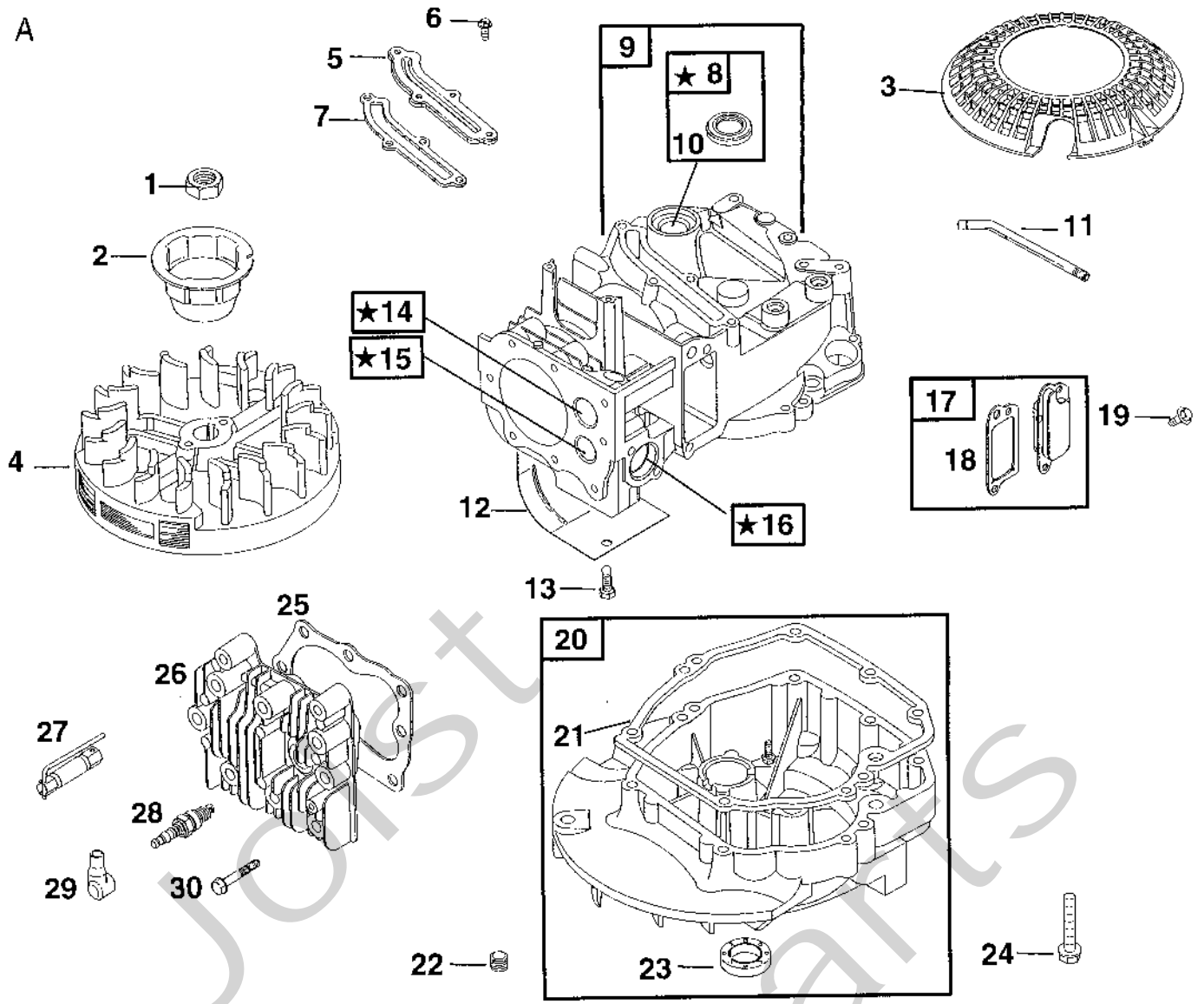


B

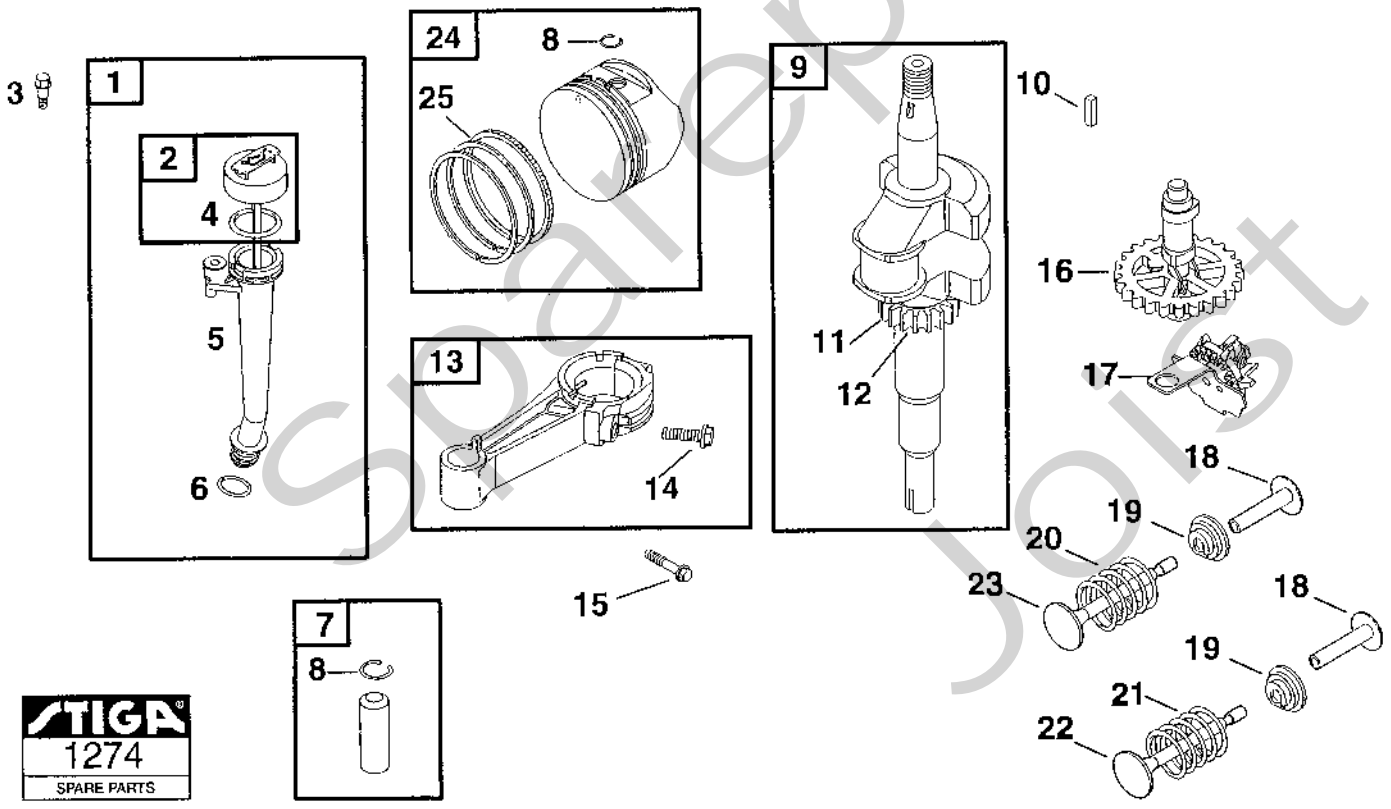


Utgåva Issue 2003-43		Bildnr Picture No 1272A		BRIGGS & STRATTON 10D902 START LUFTFILTER		BRIGGS & STRATTON 10D902 STARTER AIR CLEANER		Sida Page 350	
Pos. Fig.	Antal/Quantity			Art nr Part No	Benämning	Description	Sats Kit	Anmärkning Notes	
	10D 902- 0129	10D 902- 0141	10D 902- 0142						
A01	1	1	1	499706	Start kpl.....	Rewind starter.....			
A02	1	1	1	692144	• Starthus.....	• Starter housing.....			
A03	4	4	4	690837	• Skruv.....	• Screw.....			
A04	4	4	4	690800	• Mutter.....	• Nut.....			
A05	1	1	1	692259	• Startsnöre.....	• Starter rope.....			
A06	1	1	1	691915	• Starthandtag.....	• Starter grip.....			
A07	1	1	1	691348	Skydd.....	Rewind guard.....			
A08	1	1	1	690662	Mutter.....	Flywheel nut.....			
A09	1	1	1	694420	Roterande platta.....	Rotating trim plate.....			
A10	1	1	1	691236	Svänghjulskopp.....	Flywheel cup.....			
A11	1	1	1	499901	• Lnhjul m fjäder.....	• Pulley and spring.....			
A12	1	1	1	499901	• Lnhjul m fjäder.....	• Pulley and spring.....			
A13	2	2	2	281505	• Startklo.....	• Starter pawl.....			
A14	1	1	1	691855	• Friktionsfjäder.....	• Friction spring.....			
A15	1	1	1	692299	• Spärrplatta.....	• Pawl friction plate.....			
A16	1	1	1	691696	• Skruv.....	• Screw.....			
A17	1	1	1	691235	Skyddsnet.....	Rotating screen.....			
A18	1	1	1	691484	Fläkthus.....	Blower housing.....			
A19	3	3	3	692198	Skruv.....	Screw.....			
B01	1	1	1	493492	Luftfilter.....	Air cleaner.....			
B02	1	1	1	691911	• Stöd.....	• Support.....			
B03	1	1	1	272235	• Filterinsats.....	• Air cleaner filter.....			
B04	1	1	1	271139	Packning.....	Gasket.....			
B05	1	1	1	691417	Skruv.....	Screw.....			
B07	1	1	1	394644	Ljuddämpare.....	Muffler.....			
B07	1	1	1	692307	Ljuddämpare.....	Muffler.....			
B08	1	1	1	691179	• Låsbleck.....	• Screw lock.....			
B09	2	2	2	691413	• Skruv.....	• Screw.....			
B10	1	1	1	494896	Ljuddämparskydd.....	Muffler guard.....			
B11	2	2	2	690664	• Skruv.....	• Screw.....			
B12	1	1	1	691209	Svänghjulsskydd.....	Flywheel guard.....			
B13	1	1	1	19069	Avdragare.....	Puller.....			
B14	1	1	1	690482	Svänghjulsskydd.....	Flywheel guard.....			
B15	2	2	2	691061	Skruv.....	Screw.....			
B16	1	1	1	692009	Svänghjul.....	Flywheel.....			
B17	1	1	1	496914	Tändsystem kpl.....	Magneto armature.....			
B18	1	1	1	493880	• Anslutningshylsa.....	• Terminal.....			
B19	1	1	1	222698	• Kil.....	• Key.....			
B20	1	1	1	398808	• Kortslutningskabel.....	• Ground wire.....			
B21		1	1	691107	Skruv.....	Screw.....			

A



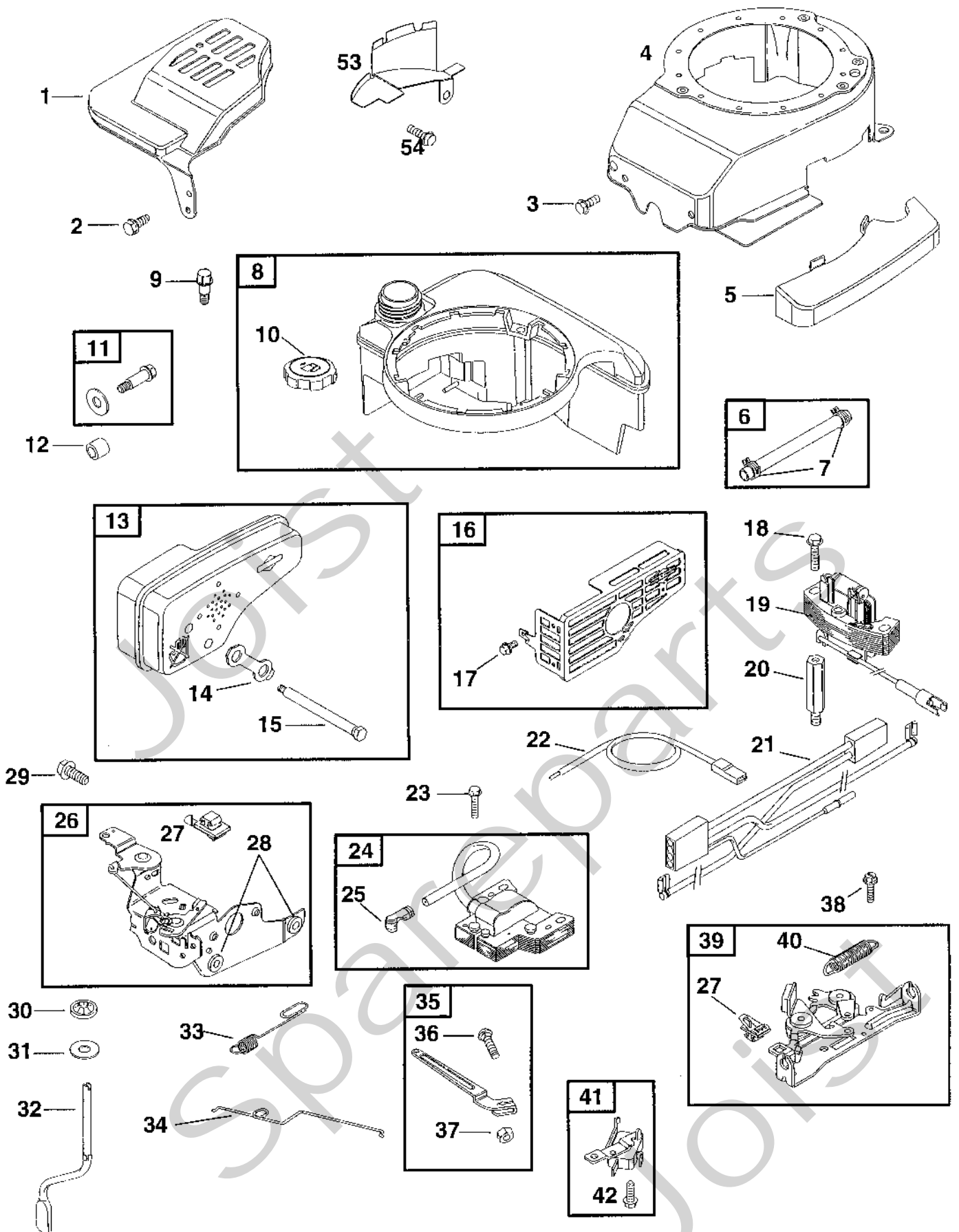
B



Utgåva Issue		Bildnr Picture No		BRIGGS & STRATTON 12H802, 12H807 CYLINDER VEVAXEL		BRIGGS & STRATTON 12H802, 12H807 CYLINDER CRANKSHAFT		Sida Page	
2003-43		1274						352	
Pos. Fig.	Antal/Quantity			Art nr Part No	Benämning	Description	Sats Kit	Anmärkning Notes	
	12H 802- 1935	12H 807- 1936	12H 802- 1966						
A01	1	1	1	690662	Mutter.....	Flywheel nut.....			
A02	1	1	1	695161	Svänghjuls kopp.....	Flywheel cup.....			
A03	1	1	1	691919	Skydd.....	Rewind guard.....			
A04		1		691987	Svänghjul.....	Flywheel.....			
A04	1		1	692315	Svänghjul.....	Flywheel.....			
A05	1	1	1	692342	Lock.....	Cover.....			
A06	4	4	4	690345	Skruv.....	Screw.....			
A07	1	1	1	691879	Packning.....	Gasket.....			
A08	1	1	1	399269	• Bussning.....	• Bushing.....			
A09	1	1	1	697322	Cylinder kpl.....	Cylinder Assy.....			
A10	1	1	1	299819	Tätningring.....	Oil seal.....			
A11			1	499675	Ventilationsrör.....	Breather tube.....			
A11	1	1		691781	Ventilationsrör.....	Breather tube.....			
A12	1	1	1	690450	Cylinderskydd.....	Cylinder shield.....			
A13	1	1	1	690345	Skruv.....	Screw.....			
A14	1	1	1	691155	• Ventilåte- insug.....	• Valve seat- intake.....			
A15	1	1	1	690380	• Ventilåte- utblås.....	• Valve seat- exhaust.....			
A16	1	1	1	262001	• Ventilstyrning- utblås.....	• Valve guide- exhaust.....			
A16	1	1	1	63709	• Ventilstyrning- insug.....	• Guide- intake valve.....			
A17	1	1	1	695250	Vevhusventilation.....	Breather.....			
A18	1	1	1	696125	• Packning.....	• Gasket.....			
A19	2	2	2	691125	Skruv.....	Screw.....			
A20	1	1	1	493279	Vevhus.....	Engine sump.....			
A21	1	1	1	692232	• Packning.....	• Gasket.....			
A22	1	1	1	691680	Oljeavtappningsplugg.....	Oil drain plug.....			
A23	1	1	1	399781	• Tätningring.....	• Oil seal.....			
A24	7	7	7	691092	Skruv.....	Screw.....			
A25	1	1	1	692249	Packning.....	Gasket.....			
A26	1	1	1	691160	Topplöck.....	Cylinder head.....			
A27	1	1	1	1111-9029-01	Tändstiftsnyckel.....	Spark plug wrench.....			
A28	1	1	1	9400-0225-00	Tändstift.....	Spark plug.....		Champion J19LM	
A29	1	1	1	66538	Tändstiftsskydd.....	Spark plug elbow.....			
A30	8	8	8	690912	Skruv.....	Screw.....			
B01	1	1	1	692017	Oljesticka kpl.....	Oil dipstick Assy.....			
B02	1	1	1	495264	• Oljesticka.....	• Oil dipstick.....			
B03	1	1	1	690940	Skruv.....	Screw.....			
B04	1	1	1	691031	• O-ring.....	• O-ring.....			
B05	1	1	1	495265	• Oljepåfyllningsrör.....	• Oil filler tube.....			
B06	1	1	1	692296	• Tätningring.....	• Tube seal.....			
B07	1	1	1	499423	Kolvbult.....	Piston pin.....			
B08	2	2	2	691866	• Låsring.....	• Lock ring.....			
B09	1	1	1	691452	Vevaxel.....	Crankshaft.....			
B10	1	1	1	222698	Kil.....	Key.....			
B11	1	1	1	691830	• Drev.....	• Timing gear.....			
B12	1	1	1	690979	• Kil.....	• Timing key.....			
B13	1	1	1	499424	Vevstake.....	Connecting rod.....			
B14	1	1	1	691664	• Skruv.....	• Screw.....			
B15	1	1	1	695759	Skruv.....	Screw.....			
B16	1	1	1	691449	Kamaxel.....	Camshaft.....			
B17	1	1	1	691997	Oljeslungare.....	Oil slinger.....			
B18	2	2	2	690548	Ventilyftare.....	Valve tappet.....			
B19	2	2	2	692194	Ventilhållare.....	Valve retainer.....			
B20	1	1	1	691270	Ventilfjäder.....	Valve spring.....			
B21	1	1	1	691270	Ventilfjäder.....	Valve spring.....			
B22	1	1	1	262651	Utblåsningsventil.....	Exhaust valve.....			
B23	1	1	1	262652	Insugningsventil.....	Intake valve.....			
B24	1	1	1	499429	Kolv kpl.....	Piston Assy.....		Standard	
B24	1	1	1	499430	Kolv kpl.....	Piston Assy.....		.010" oversize	
B24	1	1	1	499431	Kolv kpl.....	Piston Assy.....		.020" oversize	
B24	1	1	1	499432	Kolv kpl.....	Piston Assy.....		.030" oversize	
B25	1	1	1	499425	• Kolvringsatts.....	• Ring set.....		Standard	
B25	1	1	1	499426	• Kolvringsatts.....	• Ring set.....		.010" oversize	
B25	1	1	1	499427	• Kolvringsatts.....	• Ring set.....		.020" oversize	

X

A

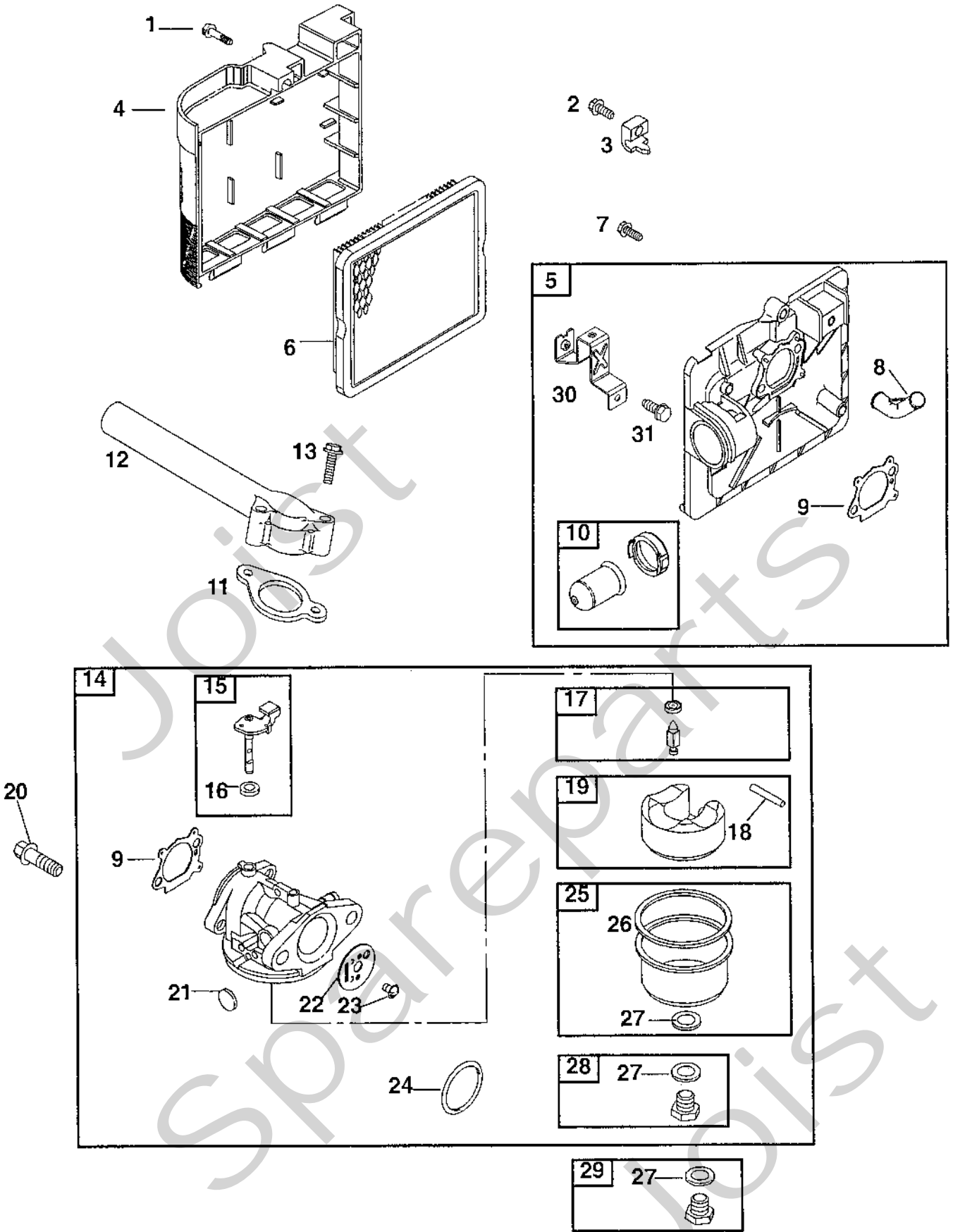


Utgåva Issue		Bildnr Picture No		BRIGGS & STRATTON 12H802, 12H807 BRÄNSLETANK REGULATOR		BRIGGS & STRATTON 12H802, 12H807 FUEL TANK GOVERNOR		Sida Page	
2003-43		1275						354	
Pos. Fig.	Antal/Quantity			Art nr Part No	Benämning	Description	Sats Kit	Anmärkning Notes	
	12H 802- 1935	12H 807- 1936	12H 802- 1966						
A01	1	1	1	691757	Lock.....	Control cover			
A02	1	1	1	690664	Skruv	Screw			
A03	4	4	4	691108	Skruv	Screw			
A04	1	1	1	493293	Fläkthus	Blower housing			
A05	1	1	1	690595	Lock.....	Brake cover			
A06	1		1	691050	Bränsleslang	Fuel line.....			
A06		1		691371	Bränsleslang	Fuel line.....			
A07	2	2	2	95162	Slangklämma.....	Hose clamp			
A08	1	1	1	495224	Bränsletank.....	Fuel tank			
A09	2	2	2	690940	Skruv	Screw			
A10	1	1	1	397974	• Tanklock	• Fuel cap.....			
A11	1	1	1	692311	Skruv/bricka	Screw/washer			
A12	1	1	1	692294	Distans	Spacer			
A13	1	1	1	692038	Ljuddämpare	Muffler			
A14	1	1	1	691740	• Låsbleck	• Screw lock			
A15	2	2	2	691340	• Skruv	• Screw			
A16	1	1	1	499034	Skydd	Guard			
A17	2	2	2	690664	• Skruv	• Screw			
A18		2		691648	Skruv	Screw			
A19		1		691991	Generator.....	Alternator			
A20		2		691094	Pinnbult	Stud			
A21		1		696547	Kablage.....	Wiring harness			
A22	1	1	1	692390	Stoppkabel.....	Stop wire			
A23	2	2	2	691061	Skruv	Screw			
A24	1	1	1	802574	Tändsystem	Magneto armature			
A25	1	1	1	493880	• Anslutningshylsa	• Terminal			
A26	1	1	1	692031	Reglageplåt.....	Control bracket			
A27	2	2	2	692310	• Stoppkontakt	• Stop switch			
A28	1	1	1	493823	• Distans	• Spacer			
A29	2	2	2	690877	Skruv	Screw			
A30	1	1	1	690340	Hållare	Retainer			
A31	1	1	1	690272	Bricka	Washer			
A32	1	1	1	691308	Regulatoraxel.....	Governor crank			
A32			1	698801	Regulatoraxel.....	Governor crank			
A33	1	1	1	691292	Regulatorfjäder.....	Governor spring			
A34	1	1	1	691829	Regulatorlänk	Governor link			
A35	1	1	1	690783	Regulatorarm.....	Govern. control lever			
A36	1	1	1	92613	• Skruv	• Screw			
A37	1	1	1	231082	• Mutter.....	• Nut			
A37			1	691251	• Mutter.....	• Nut			
A38	2	2	2	691648	Skruv	Screw			
A39	1	1	1	691994	Broms.....	Brake			
A40	1	1	1	691831	• Bromsfjäder.....	• Brake spring			
A41		1		499421	Brytare	Switch			
A42		1		691627	• Skruv	• Screw			
A53	1	1	1	694086	Svänhjulsskydd	Flywheel guard			
A54	1	1	1	691108	Skruv	Screw			

2 st/includes 2

X

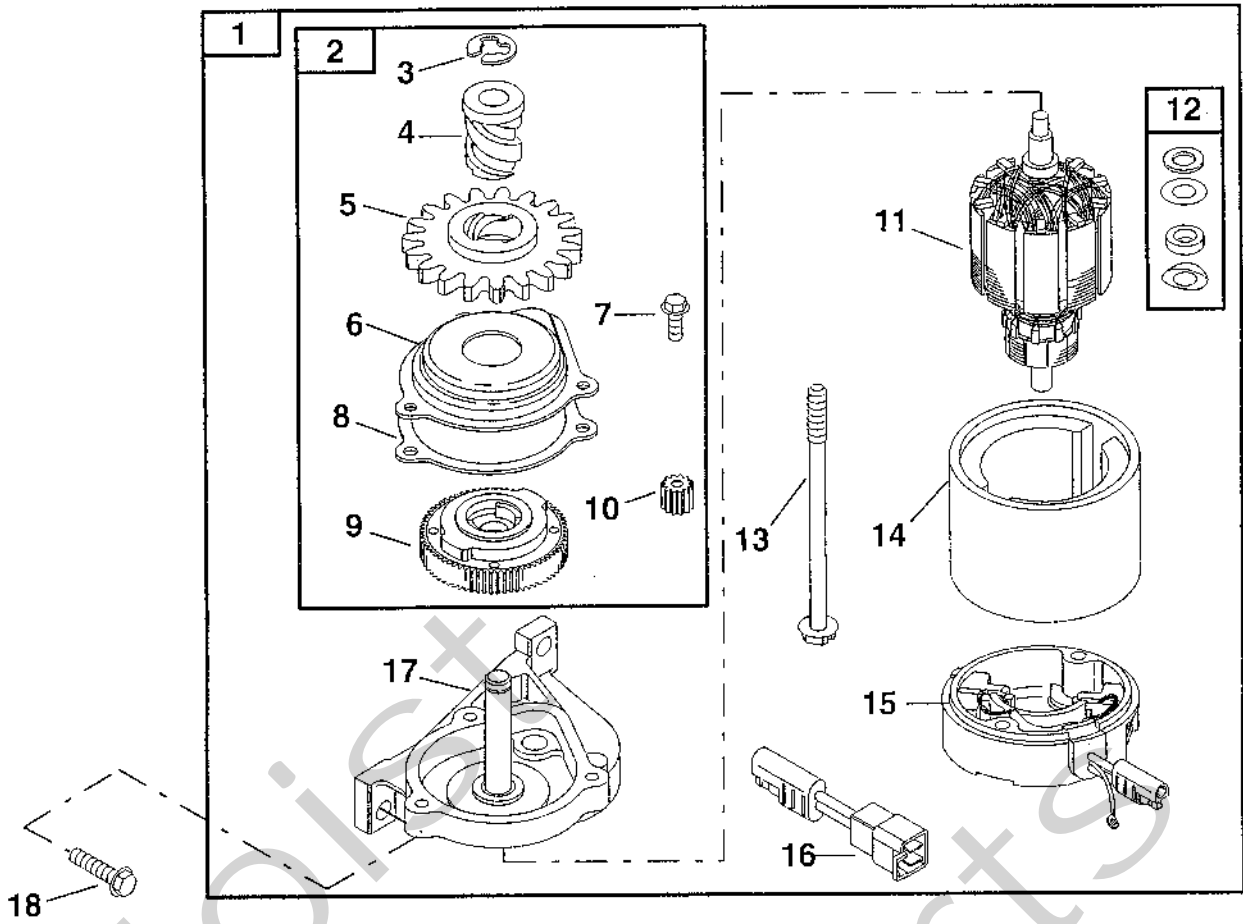
A



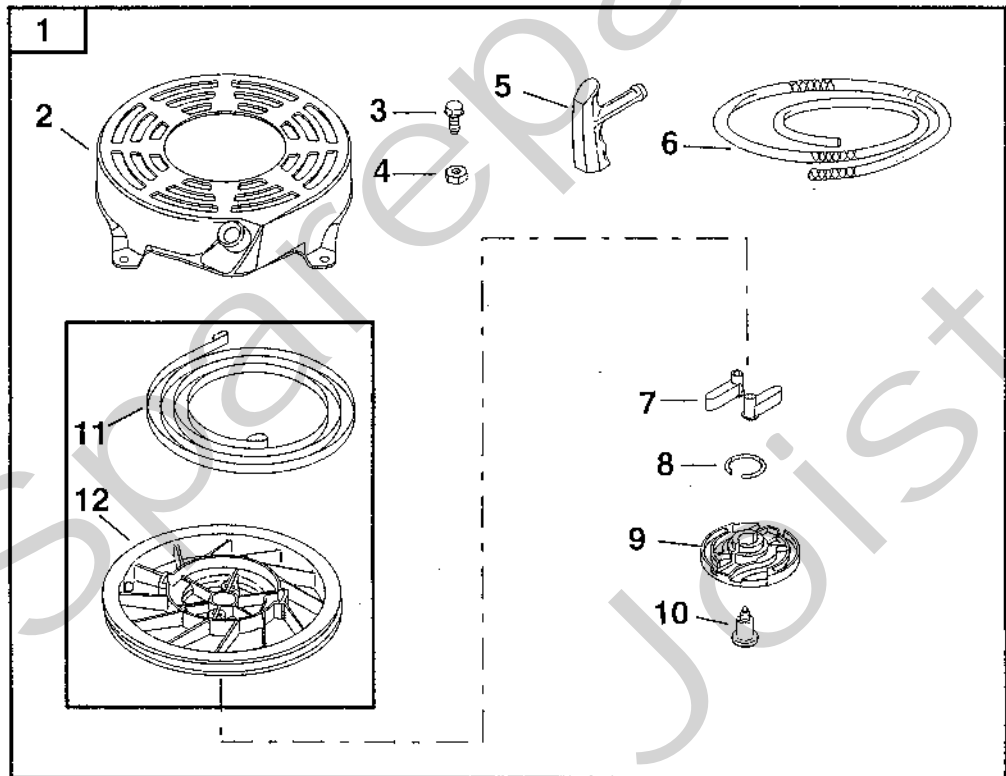
Utgåva Issue		Bildnr Picture No		BRIGGS & STRATTON 12H802, 12H807 LUFTFILTER FÖRGASARE		BRIGGS & STRATTON 12H802, 12H807 AIR CLEANER CARBURETTOR		Sida Page	
2003- 43		1276A						356	
Pos. Fig.	Antal/Quantity			Art nr Part No	Benämning	Description	Sats Kit	Anmärkning Notes	
	12H 802- 1935	12H 807- 1936	12H 802- 1966						
A01	1	1	1	690670	Skruv	Screw			
A02	1	1	1	691044	Skruv	Screw			
A03	1	1	1	690798	Wireklämma	Casing clamp			
A04	1	1	1	692298	Luftrenarlock	Air cleaner cover			
A05	1	1	1	496116	Luftrenarfäste	Air cleaner base			
A06	1	1	1	491588	Pappersfilter	Air filter			
A07	2	2	2	692523	Skruv	Screw			
A08	1	1	1	691923	• Hylsa	• Grommet			
A09	1	1	1	272653	• Packning	• Gasket			
A10	1	1	1	694395	• Primer	• Primer			
A11	1	1	1	272199	Packning	Gasket			
A12	1	1	1	497465	Insugningsrör	Intake pipe			
A13	2	2	2	691650	Skruv	Screw			
A14	1	1	1	498170	Förgasare kpl	Carburettor assy			
A15	1	1	1	696565	• Spjällaxel	• Throttle shaft			
A16	1	1	1	691321	• • Dammtätning	• • Dust seal			
A17	1	1	1	398188	• Bränslenål	• Inlet valve			
A18	1	1	1	691242	• • Flottöraxel	• • Float hinge pin			
A19	1	1	1	398187	• Flottör	• Float			
A20	2	2	2	692524	Skruv	Screw			
A21	1	1	1	694468	• Expansionsbricka	• Welch plug			
A22	1	1	1	696564	• Gasspjäll	• Throttle valve			
A23	1	1	1	691636	• Skruv	• Screw			
A24	1	1	1	270344	• Tätning	• Seal			
A25	1	1	1	493640	• Flottörhus	• Bowl			
A26	1	1	1	693981	• • Packning	• • Gasket			
A27	1	1	1	271716	• Tätningsbricka	• Sealing washer			
A28	1	1	1	498978	• Huvudmunstycke	• Main jet			
A29	1	1	1	497466	Huvudmunstycke	Main jet			
A30	1	1	1	691753	• Fäste	• Bracket			
A31	1	1	1	691669	• Skruv	• Screw			

Standard
High altitude

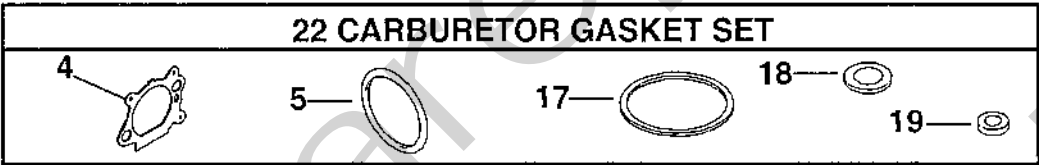
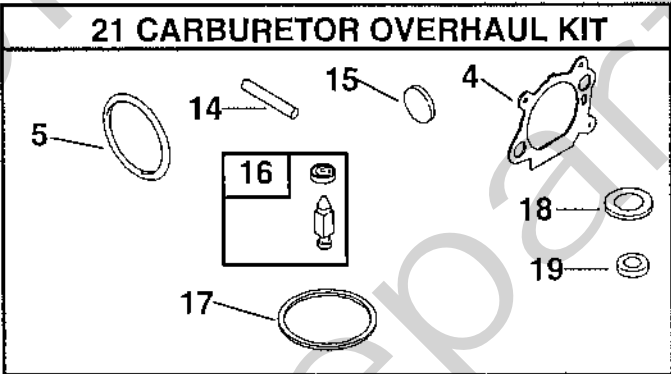
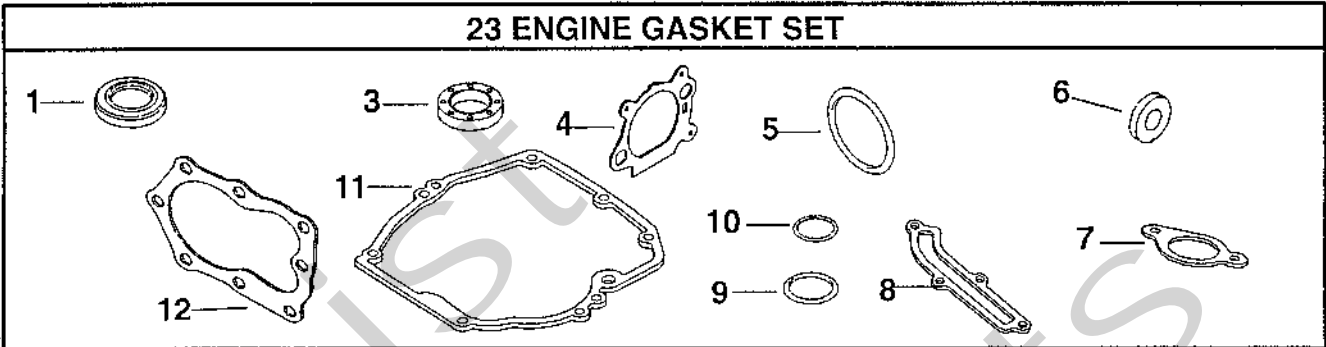
A



B



Utgåva Issue		Bildnr Picture No		BRIGGS & STRATTON 12H802, 12H807 STARTMOTOR SNÖRSTART		BRIGGS & STRATTON 12H802, 12H807 STARTER MOTOR REWIND STARTER		Sida Page	
2003-43		1277						358	
Pos. Fig.	Antal/Quantity			Art nr Part No	Benämning	Description	Sats Kit	Anmärkning Notes	
	12H 802- 1935	12H 807- 1936	12H 802- 1966						
A01		1		695550	Startmotor kpl	Starter motor assy			
A02		1		494147	• Drev kpl	• Drive kit			
A03		1		93941	•• Låsring	•• Retainer			
A04		1		691325	•• Snäckdrev	•• Starter spline			
A05		1		691918	•• Drev	•• Pinion gear			
A06		1		692341	•• Lock	•• Cover			
A07		3		690345	•• Skruv	•• Screw			
A08		1		692352	•• Packning	•• Gasket			
A09		1		692358	•• Koppling	•• Drive clutch			
A10		1		691269	•• Drev	•• Pinion gear			
A11		1		690786	• Rotor	• Starter armature			
A12		1		492919	• Brickor	• Washer set			
A13		2		692327	• Bult	• Bolt			
A14		1		695266	• Starthus	• Starter housing			
A15		1		695267	• Bottenkåpa	• End cap			
A16		1		695268	• Kabeladapter	• Wire adapter			
A17		1		690782	• Lock	• Drive cap			
A18		2		691127	Skruv	Screw			
B01	1	1	1	497680	Start kpl	Starter assy			
B02	1	1	1	691421	• Starthus	• Starter housing			
B03	4	4	4	690837	• Skruv	• Screw			
B04	4	4	4	690800	• Mutter	• Nut			
B05	1	1	1	281434	• Starthandtag	• Handle			
B06	1	1	1	692259	• Startsnöre	• Starter rope			
B07	2	2	2	281505	• Startklo	• Starter pawl			
B08	1	1	1	691855	• Friktionsfjäder	• Friction spring			
B09	1	1	1	692299	• Spärrplatta	• Pawl friction plate			
B10	1	1	1	691696	• Skruv	• Screw			
B11	1	1	1	498144	• Linhjul m.fjäder	• Pulley/spring			
B12	1	1	1	498144	• Linhjul m.fjäder	• Pulley/spring			



Utgåva Issue 2003-43		Bildnr Picture No 1278A		BRIGGS & STRATTON 12H802, 12H807 PACKNINGSSATS		BRIGGS & STRATTON 12H802, 12HB07 GASKET SET		Sida Page 360	
Pos. Fig.	Antal/Quantity			Art nr Part No	Benämning	Description	Sats Kit	Anmärkning Notes	
	12H 802- 1935	12H 807- 1936	12H 802- 1966						
A01	1	1	1	299819	• Tättningsring	• Oil seal			
A03	1	1	1	399781	• Tättningsring	• Oil seal			
A04	1	1	1	272653	• Packning	• Gasket			
A05	1	1	1	270344	• Tätning	• Seal			
A06	1	1	1	493823	• Distans	• Spacer			
A07	1	1	1	272199	• Packning	• Gasket			
A08	1	1	1	691879	• Packning	• Gasket			
A09	1	1	1	691031	• O- ring	• O- ring			
A10	1	1	1	692296	• Tättningsring	• Tube seal			
A11	1	1	1	692232	• Packning	• Gasket			
A12	1	1	1	692249	• Packning	• Gasket			
A14	1	1	1	691242	• Flottöraxel	• Float hinge pin			
A15	1	1	1	694468	• Expansionsbricka	• Welch plug			
A16	1	1	1	398188	• Bränslenål	• Inlet valve			
A17	1	1	1	693981	• Packning	• Gasket			
A18	1	1	1	271716	• Tättningsbricka	• Sealing washer			
A19	1	1	1	691321	• Dammtätning	• Dust seal			
A21	1	1	1	498260	Rep.sats förgasare	Carb. overhaul kit			
A22	1	1	1	498261	Packn.sats- förg	Gasket set- carb.			
A23	1	1	1	497316	Packn.sats- motor	Gasket set- engine			