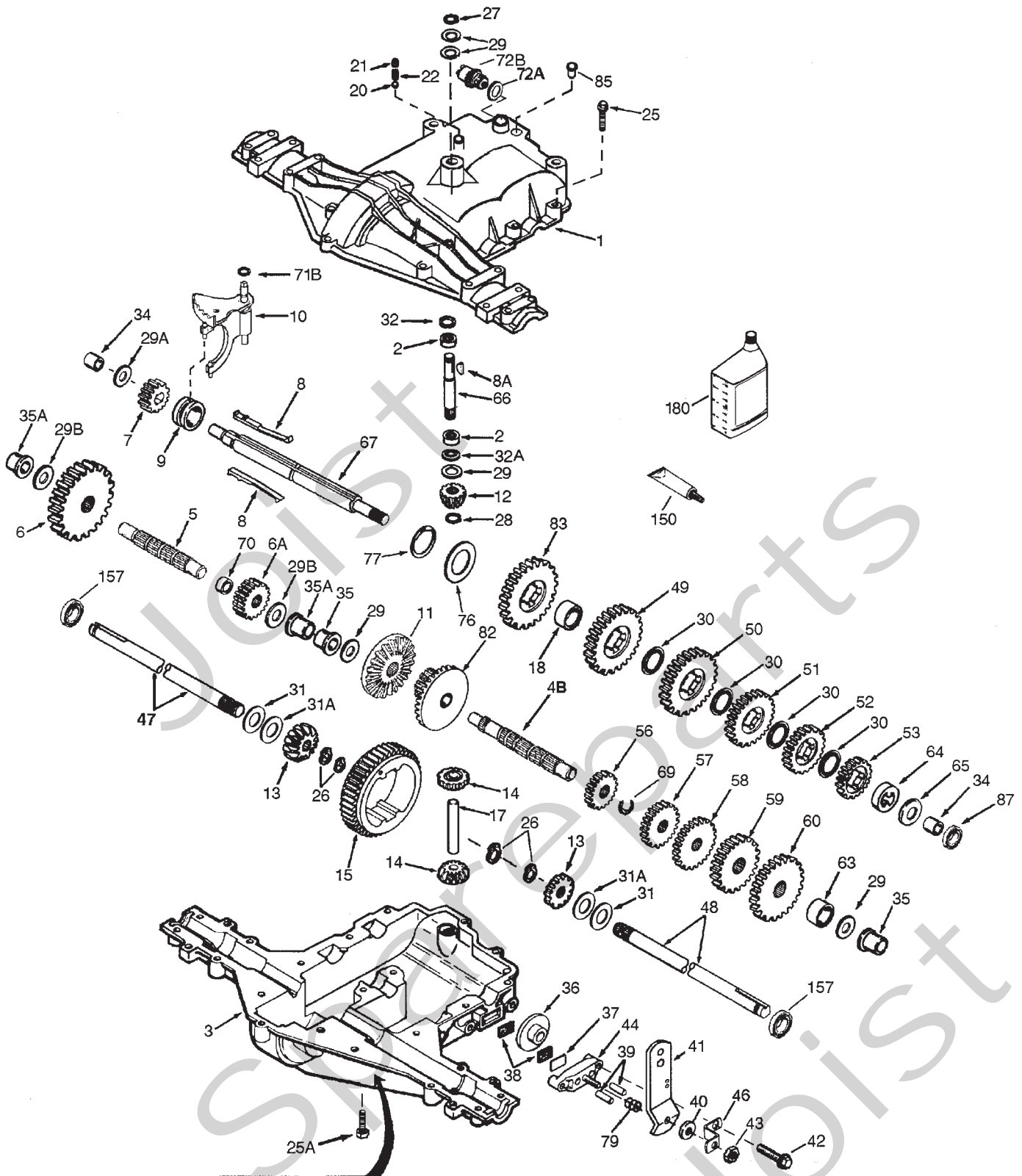


Genuine Spare Parts

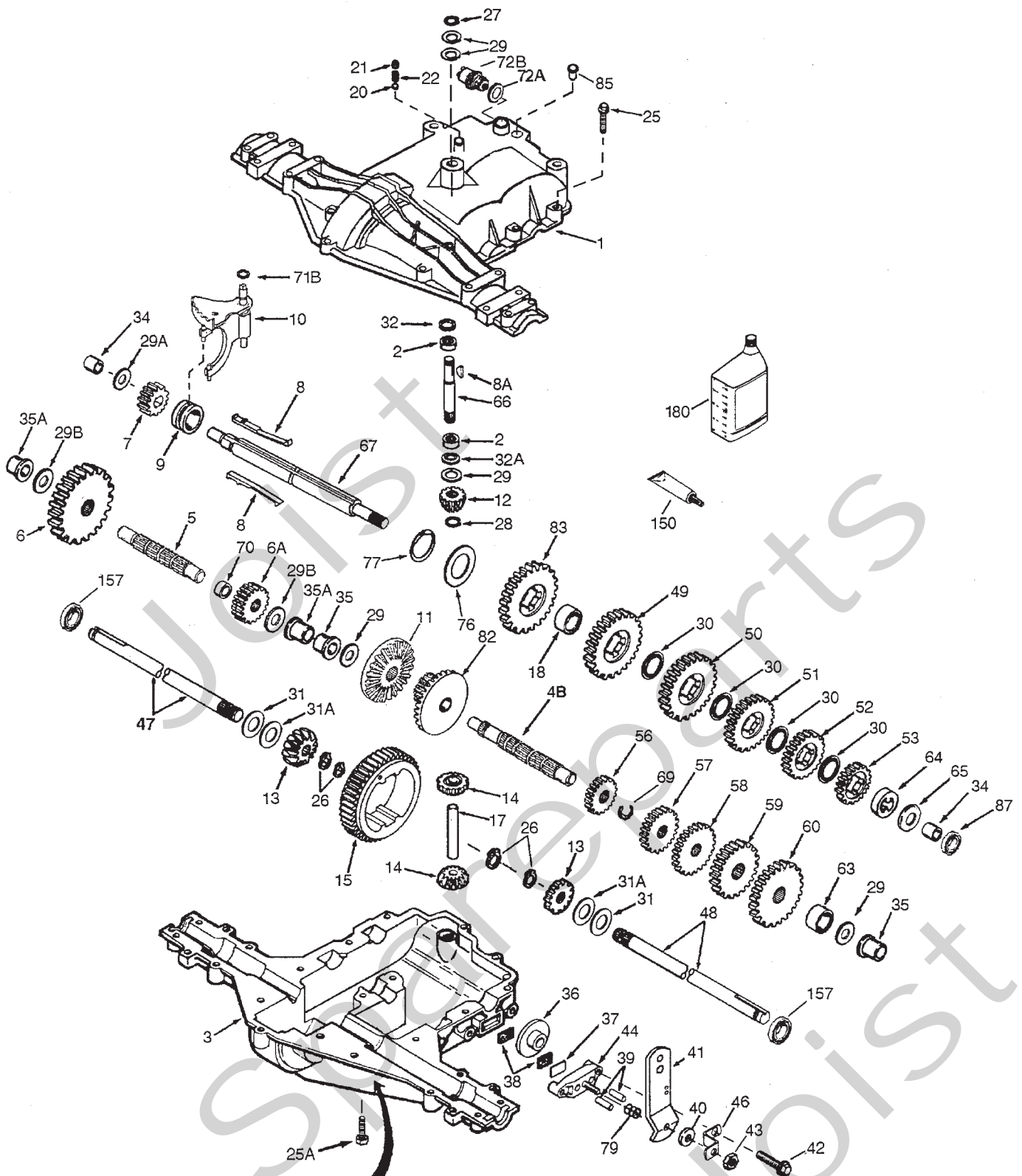


Joist
Spareparts
Joist



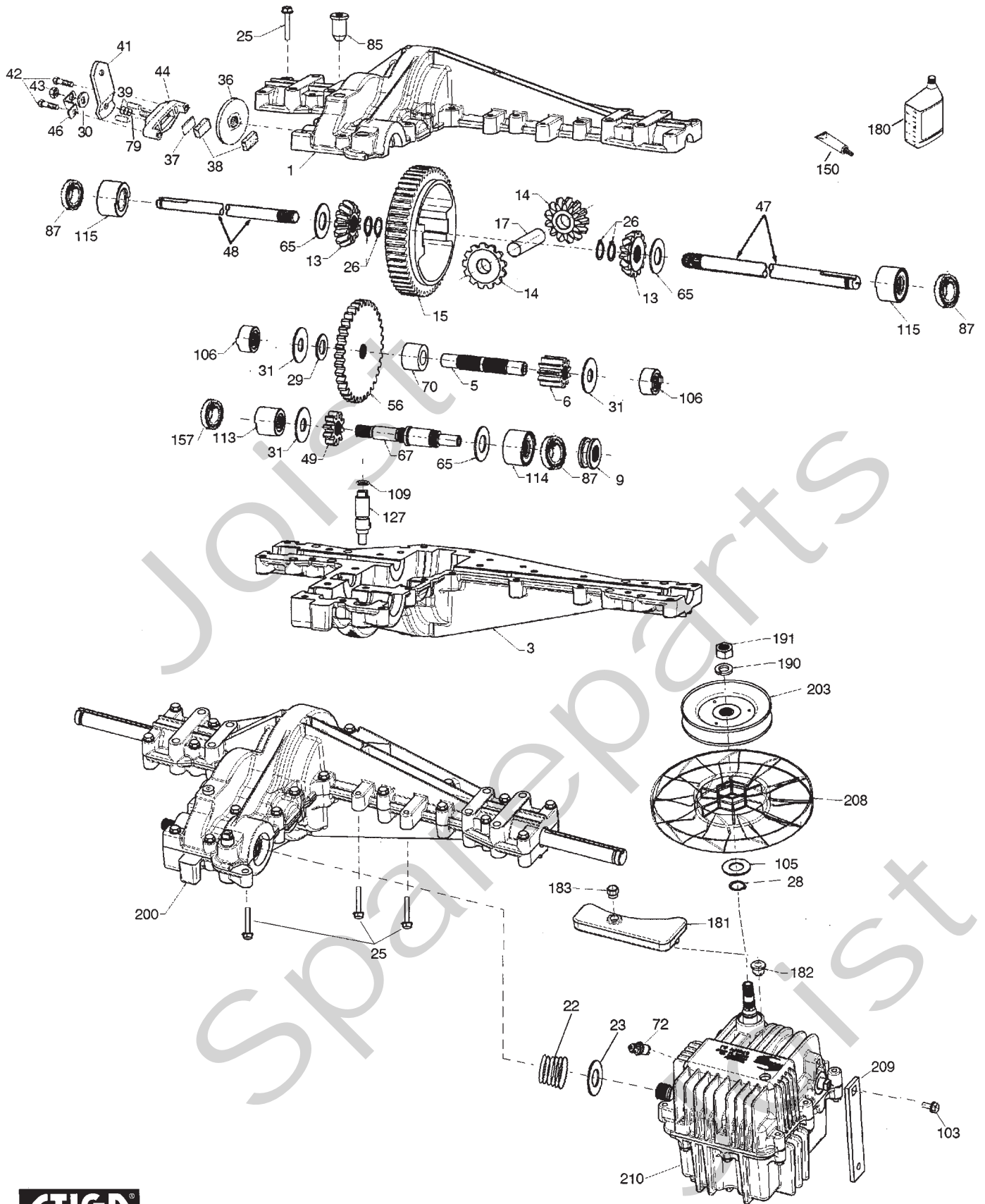
MODEL and SERIAL
NUMBERS HERE

Utgåva Issue		Bildnr Picture No		TECUMSEH PEERLESS TRANSAXEL MST 205- 535E MST 205- 541E		TECUMSEH PEERLESS TRANSAXLE MST 205- 535E MST 205- 541E		Sida Page 220	
Pos. Fig.	Antal/Quantity			Art nr Part No	Benämning	Description	Sats Kit	Anmärkning Notes	
	MST 205- 535E	MST 205- 541E							
1	1	1		772148	Lock.....	Cover			
2	2	2		780086	Nållager	Needle bearing			
3	1	1		770128	Hus	Case			
4B	1	1		776406	Axel	Shaft			
5	1	1		776409	Axel	Shaft			
6	1	1		778364	Drev.....	Gear			
6A	1	1		778369	Drev.....	Gear	38T		
7	1	1		778330	Drev.....	Gear	15T		
8	2	2		792180	Kil	Key	11T		
8A	1	1		792047	Woodruffkil.....	Woodruff key			
9	1	1		784352	Hylsa	Collar			
10	1	1		784378	Växelförare	Shift rod and fork.....			
11	1	1		778334	Drev.....	Bevel gear	30T		
12	1	1		778309	Drev.....	Bevel pinion	13T		
13	2	2		778368	Drev.....	Bevel gear	13T		
14	2	2		778368	Drev.....	Bevel gear	13T		
15	1	1		778370	Ringdrev.....	Ring gear	43T		
17	1	1		786188	Axel	Drive pin			
18	1	1		786102	Distans	Spacer			
20	1	1		792077	Kula	Steel ball			
21	1	1		792078	Stoppskruv	Set screw			
22	1	1		792079	Fjäder.....	Spring			
25	17	17		792073	Skruv.....	Screw			
25A	2	2		792177	Skruv.....	Screw	35 mm		
26	4	4		792125	Låsring	Retainer ring	Sats 2 st/Pkg of 2		
27	1	1		792035	Låsring	Retainer ring			
28	1	1		788040	Låsring	Retainer ring			
29	5	5		780072	Bricka	Thrust washer			
29A	1	1		780160	Bricka	Washer.....			
29B	2	2		780051	Bricka	Thrust washer.....			
30	4	4		780108	Bricka	Thrust washer			
31	ERF	ERF		780001	Bricka	Washer.....	.056" (1.42 mm)		
31A	2	2		780195	Bricka	Washer.....	.062" (1.57 mm)		
32	1	1		788083	O- ring	O- ring			
32A	1	1		792001	O- ring	O- ring			
34	2	2		780194	Bussning	Bushing			
35	2	2		780193	Flänsbussning	Flange bushing	ID = 5/8"		
35A	2	2		780197	Flänsbussning	Flange bushing	ID = 3/4"		
36	1	1		790075	Bromsskiva.....	Brake disc			
37	1	1		790007	Tryckplatta	Brake pad plate			
38	2	2		799021	Bromsbelägg	Brake pad	Sats 2 st/Pkg of 2		
39	2	2		786026	Styrpinne	Dowel pin			
40	1	1		792076	Planbricka.....	Flat washer			
41		1		790031	Bromsarm	Brake lever			
41	1			790045	Bromsarm	Brake lever			
42	2	2		792177	Skruv.....	Screw			
43	1	1		792075	Låsmutter	Lock nut			
44	1	1		790025	Hållare	Brake pad holder			
46	1	1		786086	Fäste.....	Brake lever bracket.....			
47	1			775028	Axel	Axle	11- 63/64" (304 mm)		
47		1		775047	Axel	Axle	11- 1/4" (286 mm)		
48	1			775027	Axel	Axle	16- 9/16" (421 mm)		
48		1		775048	Axel	Axle	15- 13/16" (402 mm)		
49	1	1		778356	Drev.....	Gear	29T		
50	1	1		778340	Drev.....	Gear	24T		
51	1	1		778344	Drev.....	Gear	20T		
52	1	1		778352	Drev.....	Gear	19T		
53	1	1		778346	Drev.....	Gear	15T		
56	1	1		778355	Drev.....	Gear	11T		
57	1	1		778339	Drev.....	Gear	16T		
58	1	1		778343	Drev.....	Gear	20T		
59	1	1		778351	Drev.....	Gear	21T		
60	1	1		778345	Drev.....	Gear	25T		

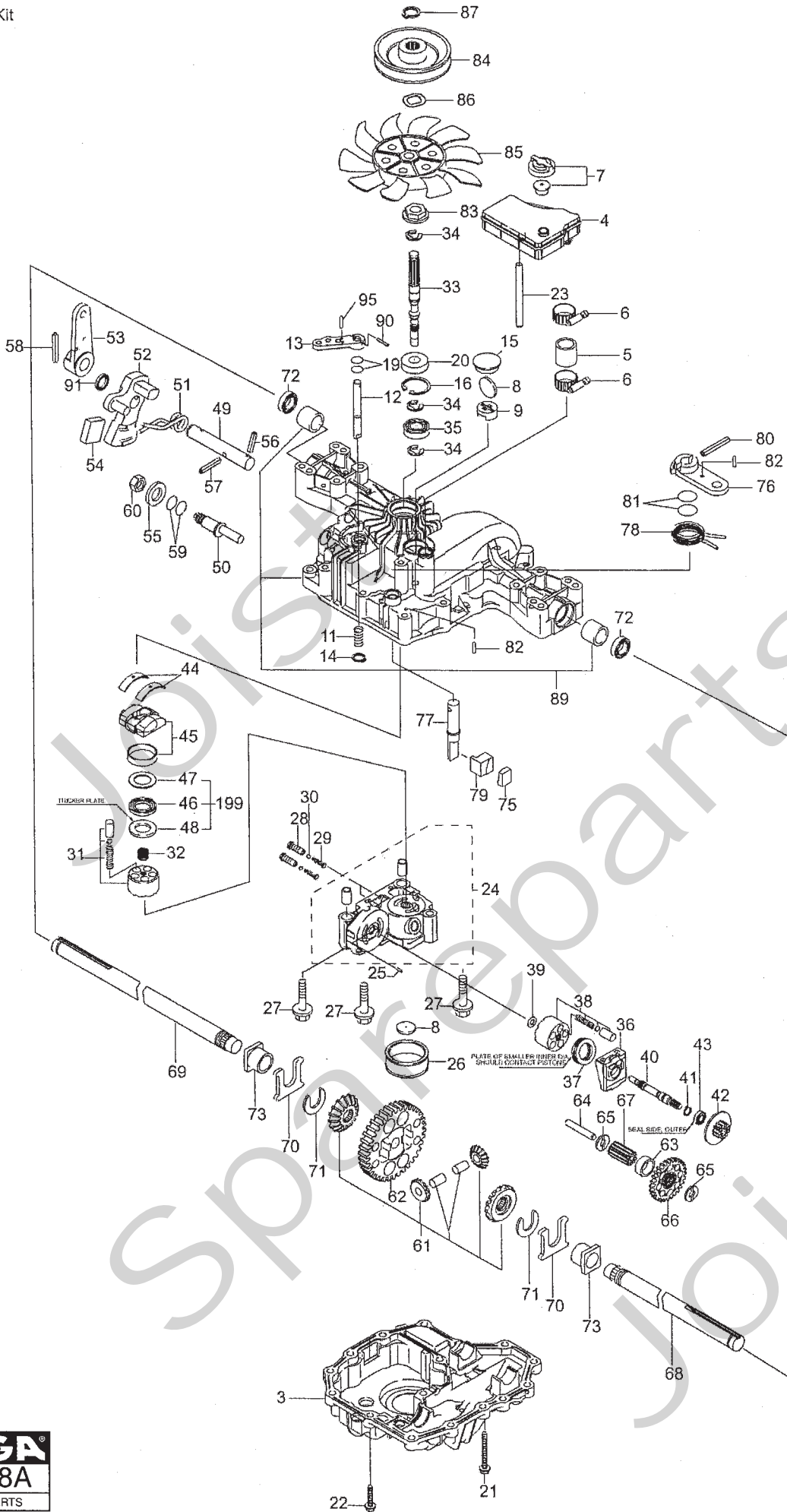


MODEL and SERIAL
NUMBERS HERE

Utgåva Issue		Bildnr Picture No		TECUMSEH PEERLESS TRANSAXEL MST 205- 535E MST 205- 541E		TECUMSEH PEERLESS TRANSAXLE MST 205- 535E MST 205- 541E		Sida Page 222	
Pos. Fig.	Antal/Quantity			Art nr Part No	Benämning	Description	Sats Kit	Anmärkning Notes	
	MST 205- 535E	MST 205- 541E							
63	1	1		786071	Distans	Spacer			
64	1	1		786072	Distans	Spacer			
65	1	1		780189	Bricka	Thrust washer			
66	1	1		776422	Ingående axel	Input shaft			
67	1	1		776396	Bromsaxel	Brake shaft			
69	1	1		792170	Låsring	Retaining ring			
70	1	1		786187	Distans	Spacer			
71 B	1	1		788092	O- ring	O- ring			
72 A	1	1		788098	O- ring	O- ring			
72 B	1	1		786194	Brytare	Neutral start switch			
76	1	1		780090	Bricka	Washer			
77	1	1		788078	Låsring	Retaining ring			
79	1	1		792144	Fjäder	Spring			
82	1	1		778363	Drev	Gear			
83	1	1		778338	Drev	Gear		30T + 13T 27T	
85	1	1		792154	Plugg	Pipe plug			
87	1	1		788089	Tätning	Oil seal			
150	1	1		788093	Packningsmassa	Liquid gasket			
157	2	2		788088	Tätning	Oil seal			
180	1	1		730229	Växellådsolja	Gear oil		EP SAE 80W90	

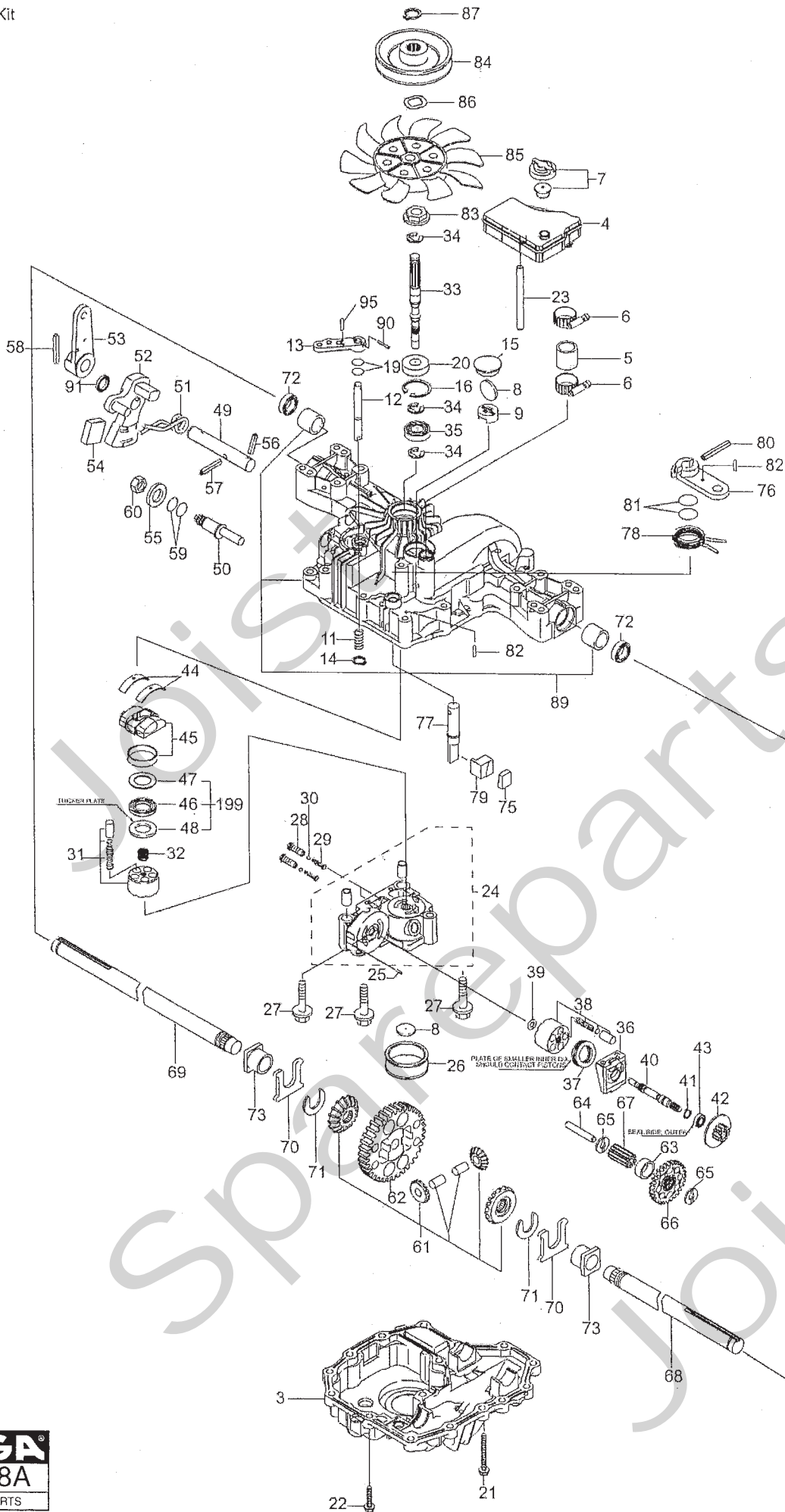


Utgåva Issue		Bildnr Picture No		TECUMSEH PEERLESS TRANSAXEL LTH 2000- 004C		TECUMSEH PEERLESS TRANSAXLE LTH 2000- 004C		Sida Page	
2005- 13		1455A						224	
Pos. Fig.	Antal/Quantity			Art nr Part No	Benämning	Description	Sats Kit	Anmärkning Notes	
	LTH 2000 004C								
1	1			772151	Lock.....	Cover			
3	1			770135	Hus	Case			
5	1			776441	Axel	Counter shaft			
6	1			778263	Drev	Gear			
9	1			786197	Neutralhylsa.....	Neutral sleeve		11T	
13	2			778368	• Drev	• Bevel gear		13T, inkl. pos 14	
14	2			778368	• Drev	• Bevel gear		13T, inkl. pos 13	
15	1			778373	Ringdrev	Ring gear		54T	
17	1			786139	Axel	Drive pin			
22	1			792194	Fjäder.....	Spring			
23	1			792195	Bricka	Washer.....			
25	27			792073	Skruv	Screw			
26	4			792125	Låsring	Retainer ring			
28	1			792035	Låsring	Retainer ring			
29	1			780065	Bricka	Washer.....			
30	1			792076	Planbricka.....	Flat washer.....			
31	3			780189	Bricka	Thrust washer			
36	1			790075	Bromsskiva.....	Brake disc			
37	1			790007	Tryckplatta	Brake pad plate			
38	2			799021	Bromsbelägg	Brake pad			
39	2			786026	Styrpinne	Dowel pin			
41	1			790095	Bromsarm	Brake lever			
42	2			792177	Skruv	Screw			
43	1			792075	Låsmutter	Lock nut			
44	1			790025	Hållare	Brake pad holder.....			
46	1			786086	Fäste	Brake lever bracket.....			
47	1			775103	Axel	Axle		L = 16.125"	
48	1			775104	Axel	Axle		L = 10.937"	
49	1			778311	Drev	Gear		10T	
56	1			778310	Drev	Gear		34T	
65	3			780195	Bricka	Washer.....			
67	1			776440	Bromsaxel	Brake shaft.....			
70	1			786196	Distans	Spacer.....			
72	1			786206	Brytare.....	Neutral start switch.....			
79	1			792144	Fjäder.....	Spring			
85	1			792154	Plugg	Pipe plug			
87	3			788088	• Tätning	• Oil seal			
103	1			792193	Skruv	Screw			
105	1			780096	Bricka	Washer.....			
106	2			786162	Nållager	Needle bearing			
109	1			788092	• O- ring.....	• O- ring			
113	1			786199	Hylsa kpl	Sleeve assy		Inkl. pos 157	
114	1			786200	Hylsa kpl	Sleeve assy		Inkl. pos 87	
115	2			786198	Hylsa kpl	Sleeve assy		Inkl. pos 87	
127	1			784384	Växelarm kpl.....	Shift lever assy.....		Inkl. pos 109	
150	1			788093	Packningsmassa.....	Liquid gasket.....			
157	1			788102	• Tätningsring	• Oil seal			
180	1			730229	Växellådsolja.....	Gear oil		SAE 80W90	
181	1			798042	Expansionskärl	Overflow bottle.....			
182	1			788103	Hylsa	Grommet.....			
183	1			792118	Övertryckventil	Relief valve.....			
190	1			792150	Bricka	Washer.....			
191	1			792151	Mutter.....	Nut			
200	1			794735	Differential	Differential			
203	1			798041	Remskiva	Pulley			
208	1			798040	Fläkt.....	Fan			
209	1			798060	Reglagearm	Control lever			
210	1			794736	Hydrostatenhet	Hydro module			

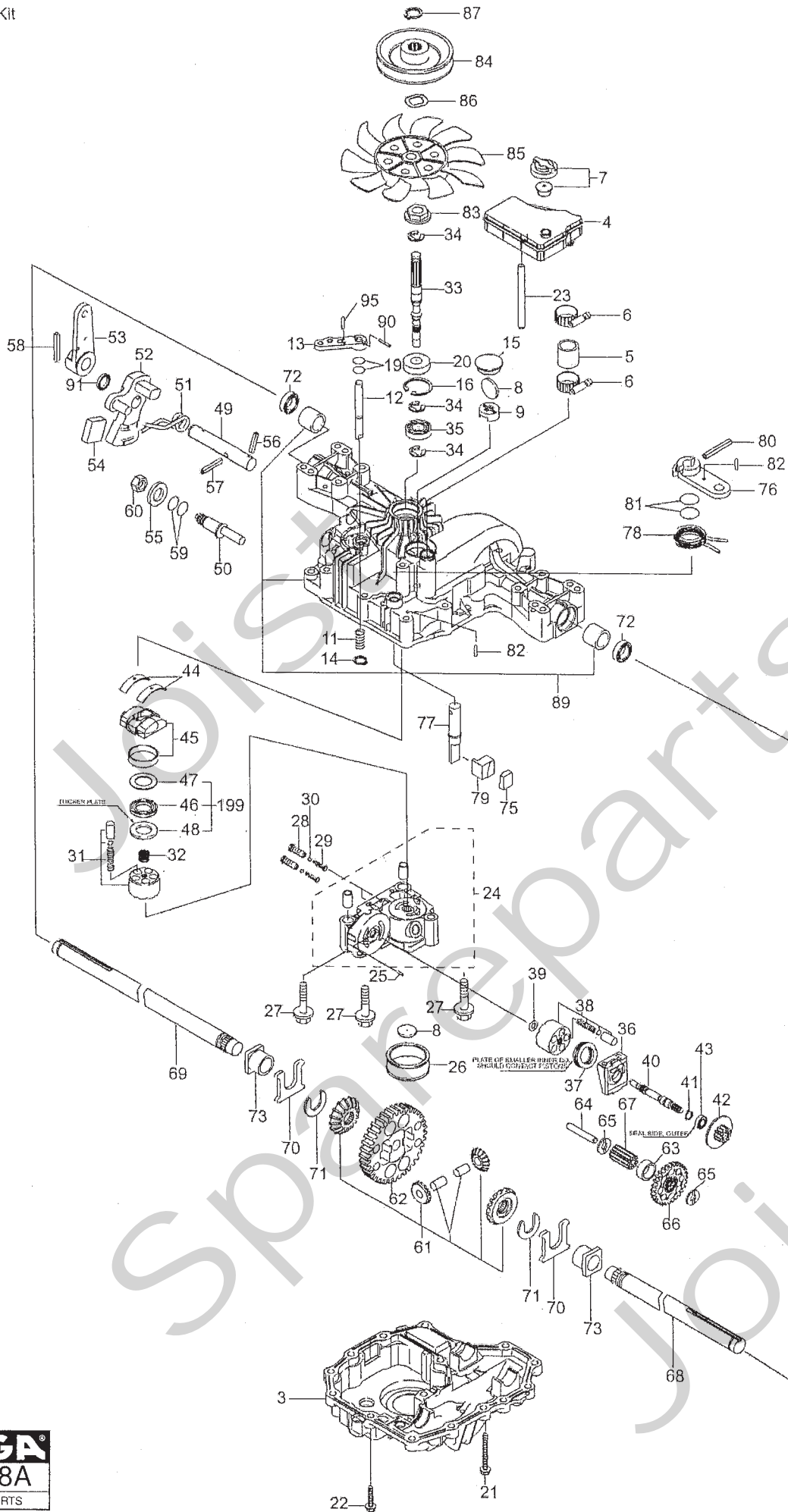


Utgåva Issue 2005-13		Bildnr Picture No 1698A		KANZAKI TRANSAXEL K46F		KANZAKI TRANSAXLE K46F		Sida Page 226	
Pos. Fig.	Antal/Quantity			Art nr Part No	Benämning	Description	Sats Kit	Anmärkning Notes	
	K46F								
3	1			1139-1297-01	Nedre hus	Lower housing			
4	1			1139-1304-01	Oljetank	Reservoir tank			
5	1			1139-1363-01	Rör	Tube			
6	2			1139-1336-01	Slangklämma	Hose clamp			
7	1			1139-1100-01	Ventil kpl.	Vent valve assy			
8	2			1139-1150-01	Magnet	Magnet	S		
9	1			1139-1240-01	Hållare-magnet	Holder-magnet			
11	1			1139-1347-01	Fjäder	Spring			
12	1			1139-1324-01	Axel-bypass	Shaft-bypass			
13	1			1139-1189-01	Arm-bypass	Lever-bypass			
14	1			1139-1161-01	Låsring	Ring			
15	1			1139-1275-01	Plugg	Bore plug			
16	1			1139-1104-01	Låsring	Snap ring			
19	2			1139-1117-01	O-ring	O-ring	S		
20	1			1139-1119-01	Tätning	Seal	S		
21	2			1139-1295-01	Skruv	Tapping screw			
22	14			1139-0244-01	Skruv	Tapping screw			
23	1			1139-1305-01	Tankstöd	Tank support			
24	1			1139-1364-01	Centrumhus	Center case			
25	1			1139-1158-01	Stift	Pin			
26	1			1139-1334-01	Filter	Filter	S		
27	3			1139-1294-01	Bult	Bolt			
28	2			1139-1242-01	Ventil	Valve			
29	2			1139-1243-01	Fjäder	Spring			
30	2			1139-1307-01	Filter	Filter			
31	1			1139-1356-01	Cylinderblock kpl.	Cylinder block assy			
32	1			1139-1245-01	Fjäder	Spring			
33	1			1139-1246-01	Pumpaxel	Pump shaft			
34	3			1139-1146-01	Låsring	Ring			
35	1			1139-1110-01	Kullager	Ball bearing			
36	1			1139-1157-01	Hus	Housing			
37	1			1139-1054-01	Lager	Bearing			
38	1			1139-1139-01	Cylinderblock kpl.	Cylinder block assy			
39	1			1139-1160-01	Bricka	Washer			
40	1			1139-1353-01	Motoraxel	Motor shaft			
41	1			1139-1021-01	Låsring	Snap ring			
42	1			1139-1311-01	Motordrev	Motor gear			
43	1			1139-1286-01	Kullager	Ball bearing			
44	2			1139-1296-01	Tryckplatta	Metal thrust			
45	1			1139-1067-01	Stänkplatta kpl.	Swash plate assy		s/n 098028-110384	
45	1			1139-1359-01	Stänkplatta kpl.	Swash plate assy		s/n 110385-	
49	1			1139-1354-01	Regleraxel	Control shaft			
50	1			1139-1316-01	Vridcentrum	Fulcrum			
51	1			1139-1312-01	Fjäder	Spring			
52	1			1139-1314-01	Reglerarm	Control arm			
53	1			1139-1313-01	Reglerarm	Control lever			
54	1			1139-1250-01	Ryckplatta	Jerky plate			
55	1			1139-1102-01	Bricka	Washer			
56	1			1139-1355-01	Saxpinne	Cotter pin			
57	1			1139-1329-01	Stift	Pin			
58	1			1139-1285-01	Stift	Pin			
59	2			1139-1115-01	O-ring	O-ring	S		
60	1			1139-1127-01	Mutter	Nut			
61	1			1139-1360-01	Differentialdrev kpl.	Differential gear kit			
62	1			1139-1258-01	Slutdrev	Final gear			
63	1			1139-1255-01	Hylsa	Collar			
64	1			1139-1256-01	Reduktionsaxel	Reduction shaft			
65	2			1139-1257-01	Bricka	Washer		s/n 000001-0106525	
65	2			1139-1398-01	Bricka	Washer		s/n 0106526-	
66	1			1139-1317-01	Reduktionsdrev	Reduction gear			
67	1			1139-1259-01	Slutdrev	Final pinion		s/n 098028-106525	
67	1			1139-1361-01	Slutdrev	Final pinion		s/n 106526-	
68	1			1139-1322-01	Hjulaxel- vä	Axle shaft- left			

X

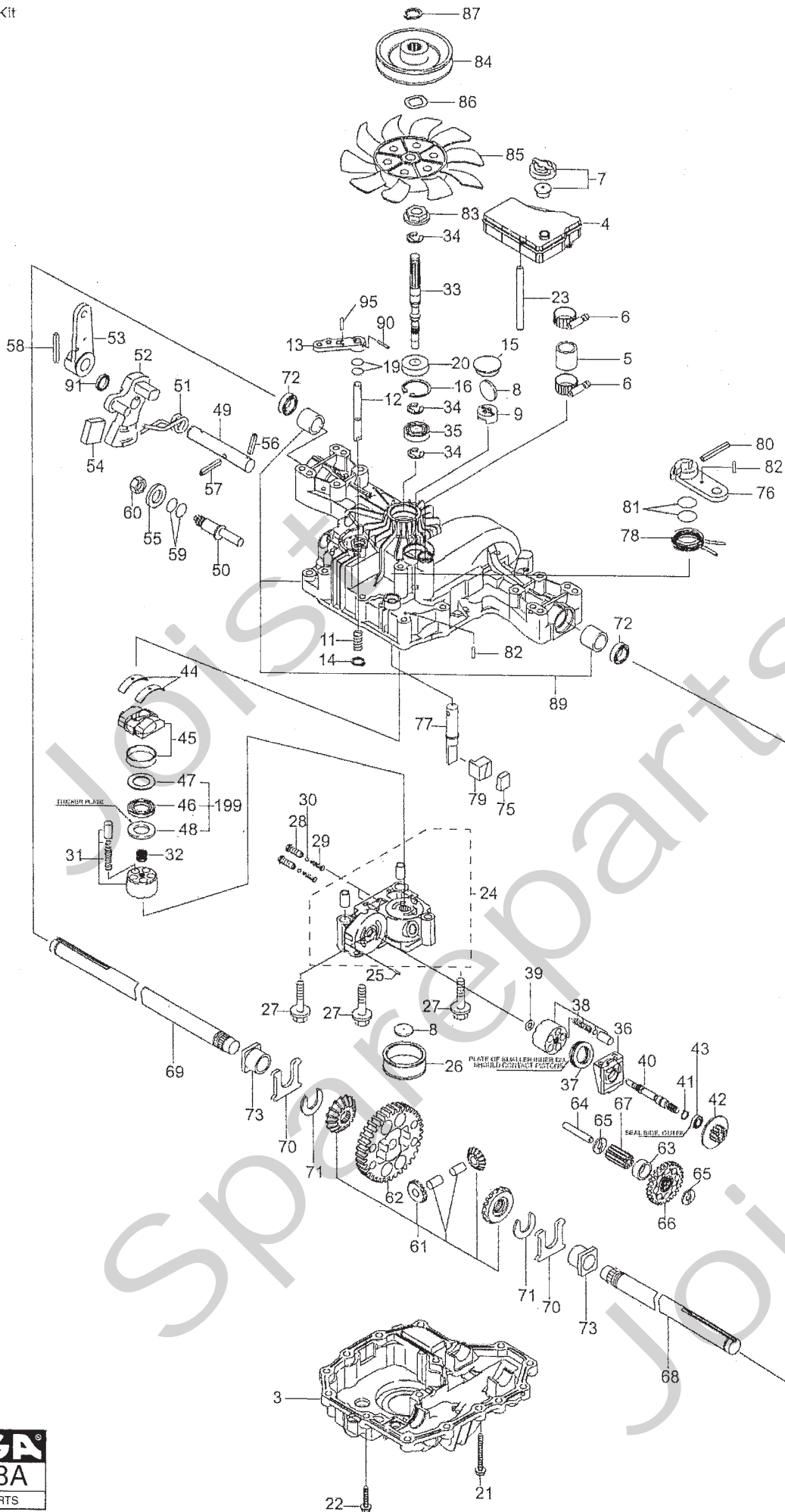


Utgåva Issue 2005- 13		Bildnr Picture No 1698A		KANZAKI TRANSAXEL K46F		KANZAKI TRANSAXLE K46F		Sida Page 228	
Pos. Fig.	Antal/Quantity			Art nr Part No	Benämning	Description	Sats Kit	Anmärkning Notes	
	K46F								
69	1			1139-1323-01	Hjulaxel- hö	Axle shaft- right			
70	2			1139-1078-01	Tryckbricka	Thrust washer			
71	2			1139-1163-01	Låsring	Ring			
72	2			1139-1080-01	Tätning	Seal	S		
73	2			1139-1164-01	Bussning	Bushing			
75	1			1139-1260-01	Bromssko	Brake shoe			
76	1			1139-1261-01	Bromsarm	Brake arm			
77	1			1139-1320-01	Bromsaxel	Brake shaft			
78	1			1139-1263-01	Returfjäder	Return spring			
79	1			1139-1264-01	Bromstryckare	Brake actuator			
80	1			1139-1282-01	Stift	Pin			
81	2			1139-1114-01	O-ring	O-ring	S		
82	2			1139-1281-01	Stift	Pin			
83	1			1139-1248-01	Krage	Spline collar			
84	1			1139-1310-01	Remskiva	Pulley			
85	1			1134-4190-01	Fläkt	Fan			
86	1			1139-1266-01	Låsbricka	Lock washer			
87	1			1139-1149-01	Låsring	Snap ring			
89	1			1139-1358-01	Övre hus kpl	Upper housing assy			
90	1			1139-1280-01	Stift	Pin			
91	1			1139-1303-01	Tätningring	Oil seal	S		
95	1			1139-1279-01	Stift	Pin			
199	1			1139-1362-01	Lager	Bearing		Inkl. pos 46 - 48	
X 200	1			1139-1403-01	Packningssats	Seal kit		Märkta S/marked S	



Utgåva Issue 2005-13		Bildnr Picture No 1698A		KANZAKI TRANSAXEL K46S		KANZAKI TRANSAXLE K46S		Sida Page 230	
Pos. Fig.	Antal/Quantity			Art nr Part No	Benämning	Description	Sats Kit	Anmärkning Notes	
	K46S								
3	1			1139-1297-01	Nedre hus	Lower housing			
4	1			1139-1304-01	Oljetank	Reservoir tank			
5	1			1139-1363-01	Rör	Tube			
6	2			1139-1336-01	Slangklämma	Hose clamp			
7	1			1139-1100-01	Ventil kpl.	Vent valve assy			
8	2			1139-1150-01	Magnet	Magnet	S		
9	1			1139-1240-01	Hållare-magnet	Holder-magnet			
11	1			1139-1347-01	Fjäder	Spring			
12	1			1139-1324-01	Axel-bypass	Shaft-bypass			
13	1			1139-1189-01	Arm-bypass	Lever-bypass			
14	1			1139-1161-01	Låsring	Ring			
15	1			1139-1275-01	Plugg	Bore plug			
16	1			1139-1104-01	Låsring	Snap ring			
19	2			1139-1117-01	O-ring	O-ring	S		
20	1			1139-1119-01	Tätning	Seal	S		
21	2			1139-1295-01	Skruv	Tapping screw			
22	14			1139-0244-01	Skruv	Tapping screw			
23	1			1139-1305-01	Tankstöd	Tank support			
24	1			1139-1364-01	Centrumhus	Center case			
25	1			1139-1158-01	Stift	Pin			
26	1			1139-1334-01	Filter	Filter	S		
27	3			1139-1294-01	Bult	Bolt			
28	2			1139-1242-01	Ventil	Valve			
29	2			1139-1243-01	Fjäder	Spring			
30	2			1139-1307-01	Filter	Filter			
31	1			1139-1356-01	Cylinderblock kpl	Cylinder block assy			
32	1			1139-1245-01	Fjäder	Spring			
33	1			1139-1246-01	Pumpaxel	Pump shaft			
34	3			1139-1146-01	Låsring	Ring			
35	1			1139-1110-01	Kullager	Ball bearing			
36	1			1139-1157-01	Hus	Housing			
37	1			1139-1054-01	Lager	Bearing			
38	1			1139-1139-01	Cylinderblock kpl	Cylinder block assy			
39	1			1139-1160-01	Bricka	Washer			
40	1			1139-1353-01	Motoraxel	Motor shaft			
41	1			1139-1021-01	Låsring	Snap ring			
42	1			1139-1311-01	Motordrev	Motor gear			
43	1			1139-1286-01	Kullager	Ball bearing			
44	2			1139-1296-01	Tryckplatta	Metal thrust			
45	1			1139-1067-01	Stänkplatta kpl	Swash plate assy		s/n 045276-052145	
45	1			1139-1359-01	Stänkplatta kpl	Swash plate assy		s/n 052146-	
49	1			1139-1354-01	Regleraxel	Control shaft			
50	1			1139-1316-01	Vridcentrum	Fulcrum			
51	1			1139-1312-01	Fjäder	Spring			
52	1			1139-1314-01	Reglerarm	Control arm			
53	1			1139-1313-01	Reglerarm	Control lever			
54	1			1139-1250-01	Ryckplatta	Jerky plate			
55	1			1139-1102-01	Bricka	Washer			
56	1			1139-1355-01	Saxpinne	Cotter pin			
57	1			1139-1329-01	Stift	Pin			
58	1			1139-1285-01	Stift	Pin			
59	2			1139-1115-01	O-ring	O-ring	S		
60	1			1139-1127-01	Mutter	Nut			
61	1			1139-1360-01	Differentialdrev kpl	Differential gear kit			
62	1			1139-1258-01	Slutdrev	Final gear			
63	1			1139-1255-01	Hylsa	Collar			
64	1			1139-1256-01	Reduktionsaxel	Reduction shaft			
65	2			1139-1257-01	Bricka	Washer		s/n 000001-0049232	
65	2			1139-1398-01	Bricka	Washer		s/n 0049233-	
66	1			1139-1317-01	Reduktionsdrev	Reduction gear			
67	1			1139-1259-01	Slutdrev	Final pinion		s/n 045276-049232	
67	1			1139-1361-01	Slutdrev	Final pinion		s/n 049233-	
68	1			1139-1318-01	Hjulaxel-vä	Axle shaft-left			

X



Utgåva Issue		Bildnr Picture No		KANZAKI TRANSAXEL K46S		KANZAKI TRANSAXLE K46S		Sida Page	
2005- 13		1698A						232	
Pos. Fig.	Antal/Quantity			Art nr Part No	Benämning	Description	Sats Kit	Anmärkning Notes	
	K46S								
69	1			1139-1319-01	Hjulaxel- hö	Axle shaft- right			
70	2			1139-1078-01	Tryckbricka	Thrust washer			
71	2			1139-1163-01	Låsring	Ring			
72	2			1139-1080-01	Tätning	Seal	S		
73	2			1139-1164-01	Bussning	Bushing			
75	1			1139-1260-01	Bromssko	Brake shoe			
76	1			1139-1261-01	Bromsarm	Brake arm			
77	1			1139-1320-01	Bromsaxel	Brake shaft			
78	1			1139-1263-01	Returfjäder	Return spring			
79	1			1139-1264-01	Bromstryckare	Brake actuator			
80	1			1139-1282-01	Stift	Pin			
81	2			1139-1114-01	O-ring	O-ring	S		
82	2			1139-1281-01	Stift	Pin			
83	1			1139-1248-01	Krage	Spline collar			
84	1			1139-1310-01	Remskiva	Pulley			
85	1			1134-4190-01	Fläkt	Fan			
86	1			1139-1266-01	Låsbricka	Lock washer			
87	1			1139-1149-01	Låsring	Snap ring			
89	1			1139-1358-01	Övre hus kpl	Upper housing assy			
90	1			1139-1280-01	Stift	Pin			
91	1			1139-1303-01	Tätningring	Oil seal	S		
95	1			1139-1279-01	Stift	Pin			
199	1			1139-1362-01	Lager	Bearing		Inkl. pos 46 - 48	
X 200	1			1139-1403-01	Packningssats	Seal kit		Märkta S/marked S	