

Genuine Spare Parts

www.stiga.com

SC 84

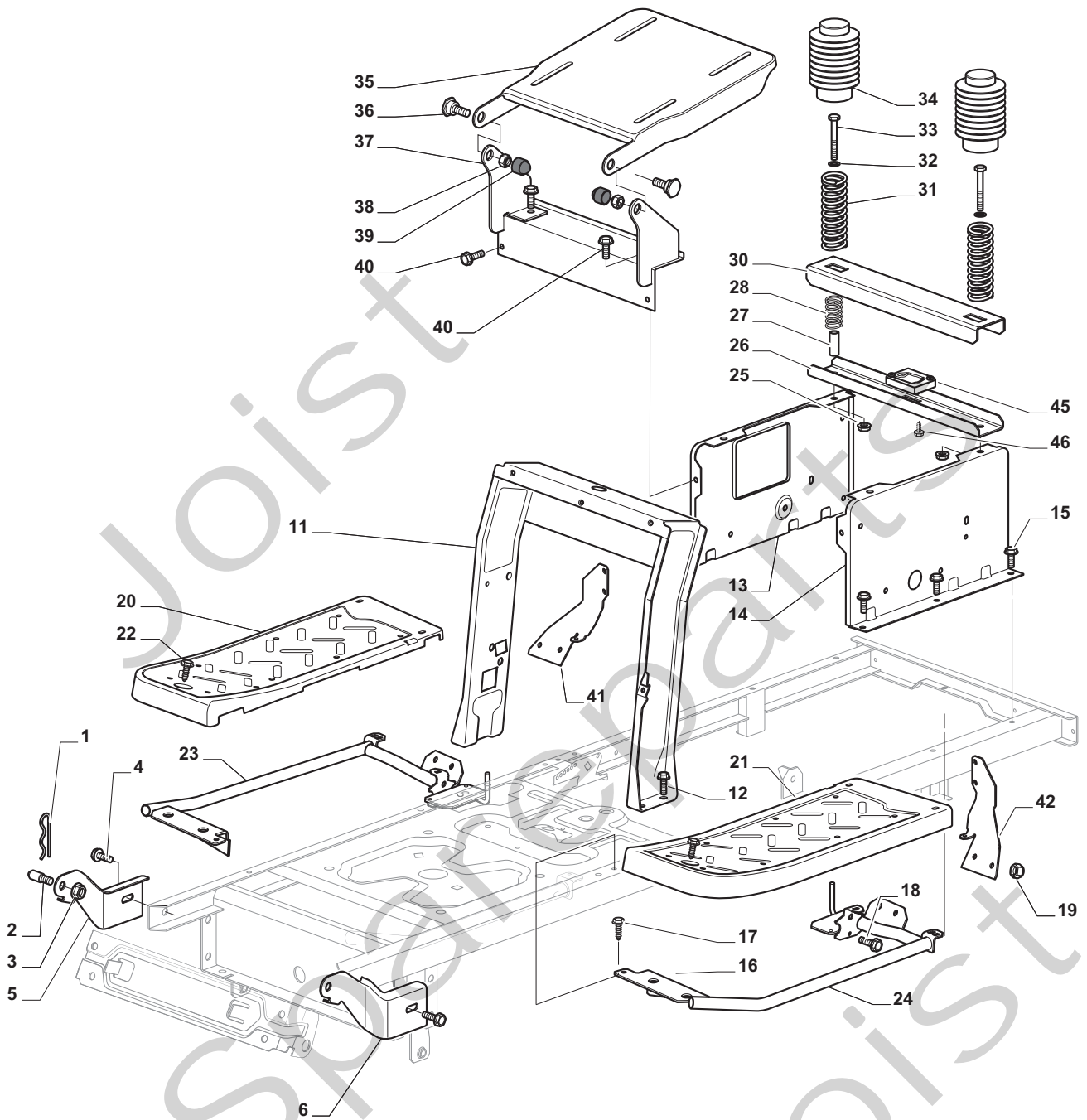
- Use GLOBAL GARDEN PRODUCT Genuine Spare Parts specified in the parts list for repair and/or replacement.
- The contents described in the parts list may change due to improvement.
- The drawings of the spare parts are only indicative and might not represent the part in question exactly.
- The indications "right" - "left" - "front" - "rear" refer to the position of the operator when using the machine.
- When placing orders of parts for repair and/or replacement, make sure that the illustrated parts list is the one applying to the machine's year of manufacture, as shown on the identification plate attached to the machine.

© Copyright 2012 Global Garden Products

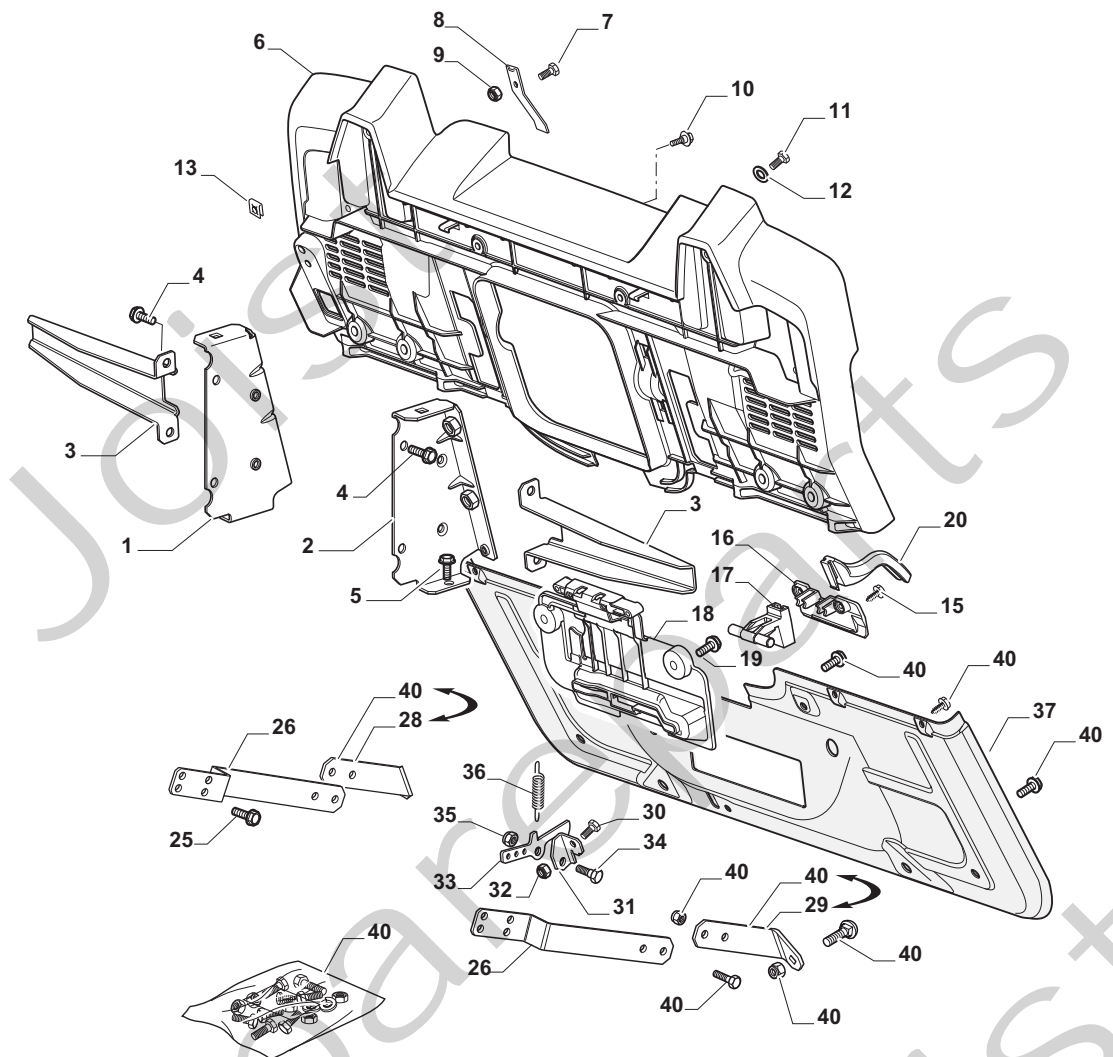
All content is subject to copyright by Global Garden Products and may not be reproduced in whole or in part by any means, electronic or otherwise, without prior written approval.

THIS INFORMATION IS NOT INTENDED FOR SALE OR RESALE, AND THIS NOTICE MUST REMAIN ON ALL COPIES.

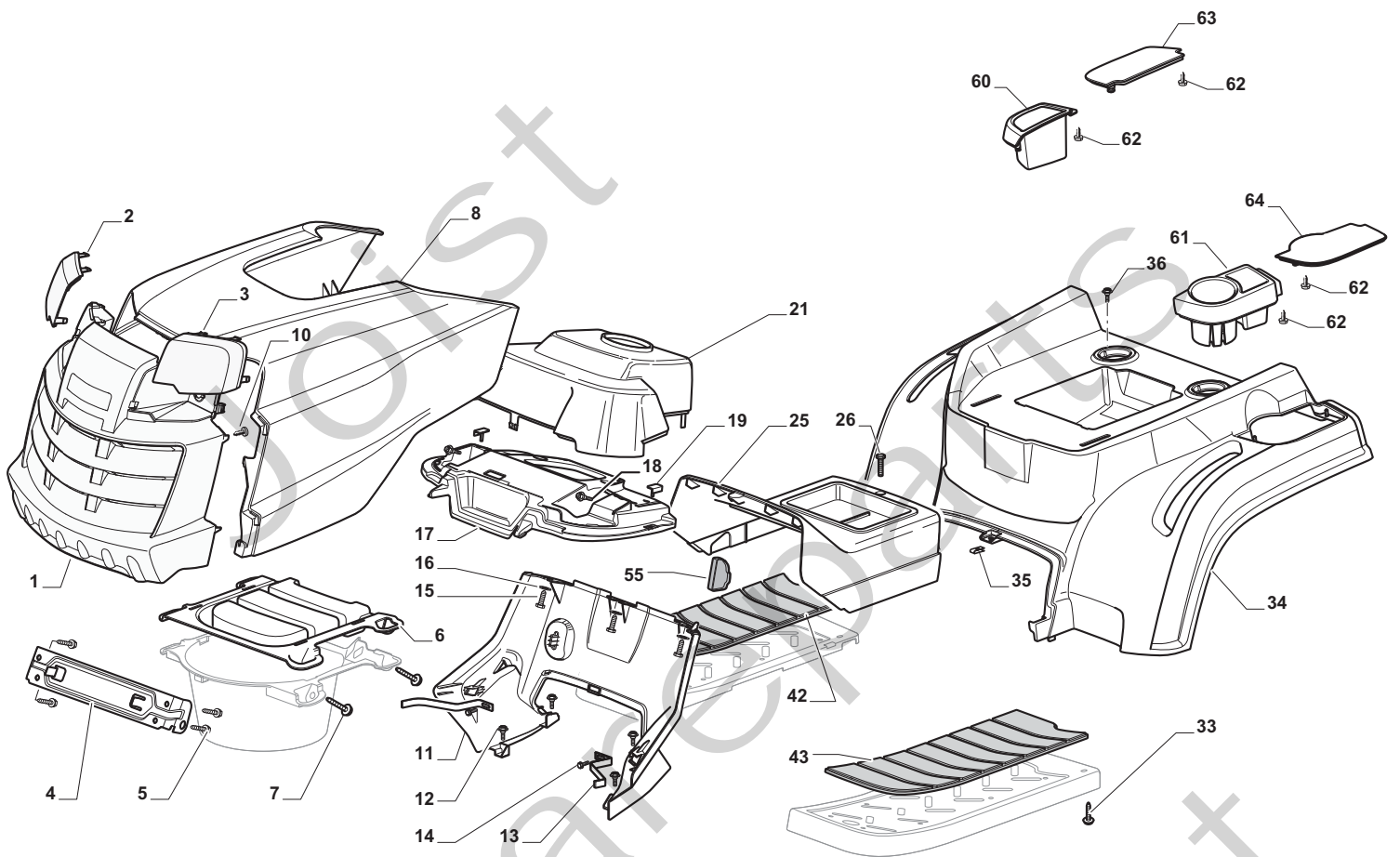
STIGA®



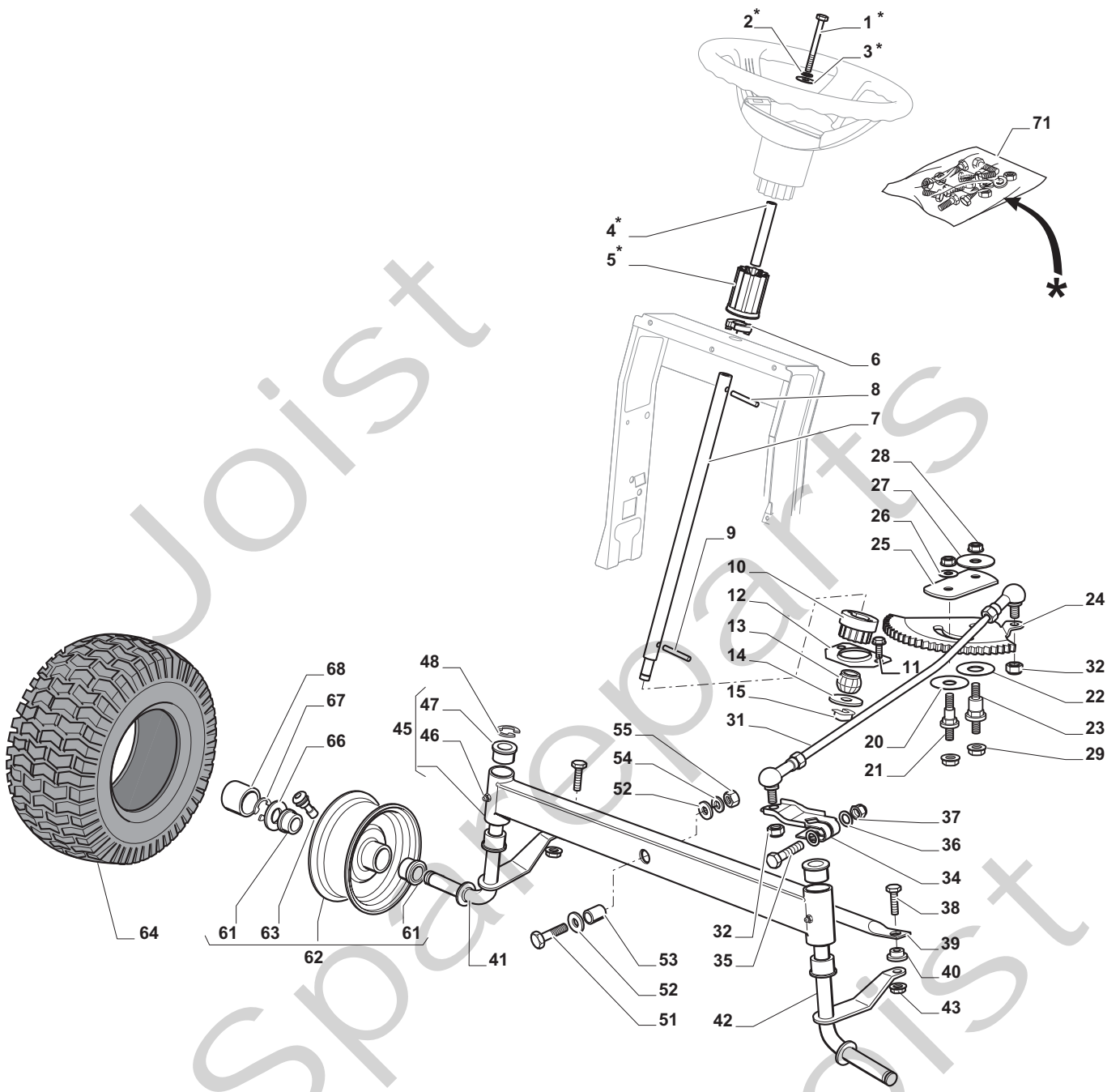
Chassis				
POS	CODE	Q.TY	DESCRIPTION	NOTES
1	24487998/0	1	Cotter Pin	
2	25510079/0	2	Pin	
3	12154210/0	2	Nut	
4	12735599/0	2	Screw	
5	325547225/0	1	Right Plate	
6	325547227/0	1	Left Plate	
11	382785169/1	1	Steering Column Support	
12	125943009/0	4	Screw	
13	325785331/1	1	Right Seat Support	
14	325785333/1	1	Left Seat Support	
15	125943009/0	6	Screw	
16	382785179/0	1	Footboard Support	
17	125943009/0	2	Screw	
18	125943009/0	2	Screw	
19	12155000/0	10	Nut	
20	325500041/1	1	Right Footboard	
21	325500043/1	1	Left Footboard	
22	12735599/0	2	Screw	
23	382785221/0	1	Footboard Support	
24	382785223/0	1	Footboard Support	
25	12293201/0	2	Nut	
26	325820109/1	1	Seat Support	
27	125160077/0	2	Spacer	
28	125430263/0	2	Spring	
30	325820111/0	1	Support	
31	125430264/0	2	Spring	
32	12521350/0	2	Washer	
33	12691400/0	2	Screw	
34	325122002/0	2	Hood	
35	382547061/0	1	Plate	
36	22524970/2	2	Pin	
37	382820151/0	1	Seat Support	
38	12155010/0	2	Nut	
39	118203854/0	2	Protection	
40	125943009/0	12	Screw	
41	325650155/0	1	Support	
42	325650157/0	1	Support	
45	112728686/0	1	Cam	
46	112728686/0	2	Screw	



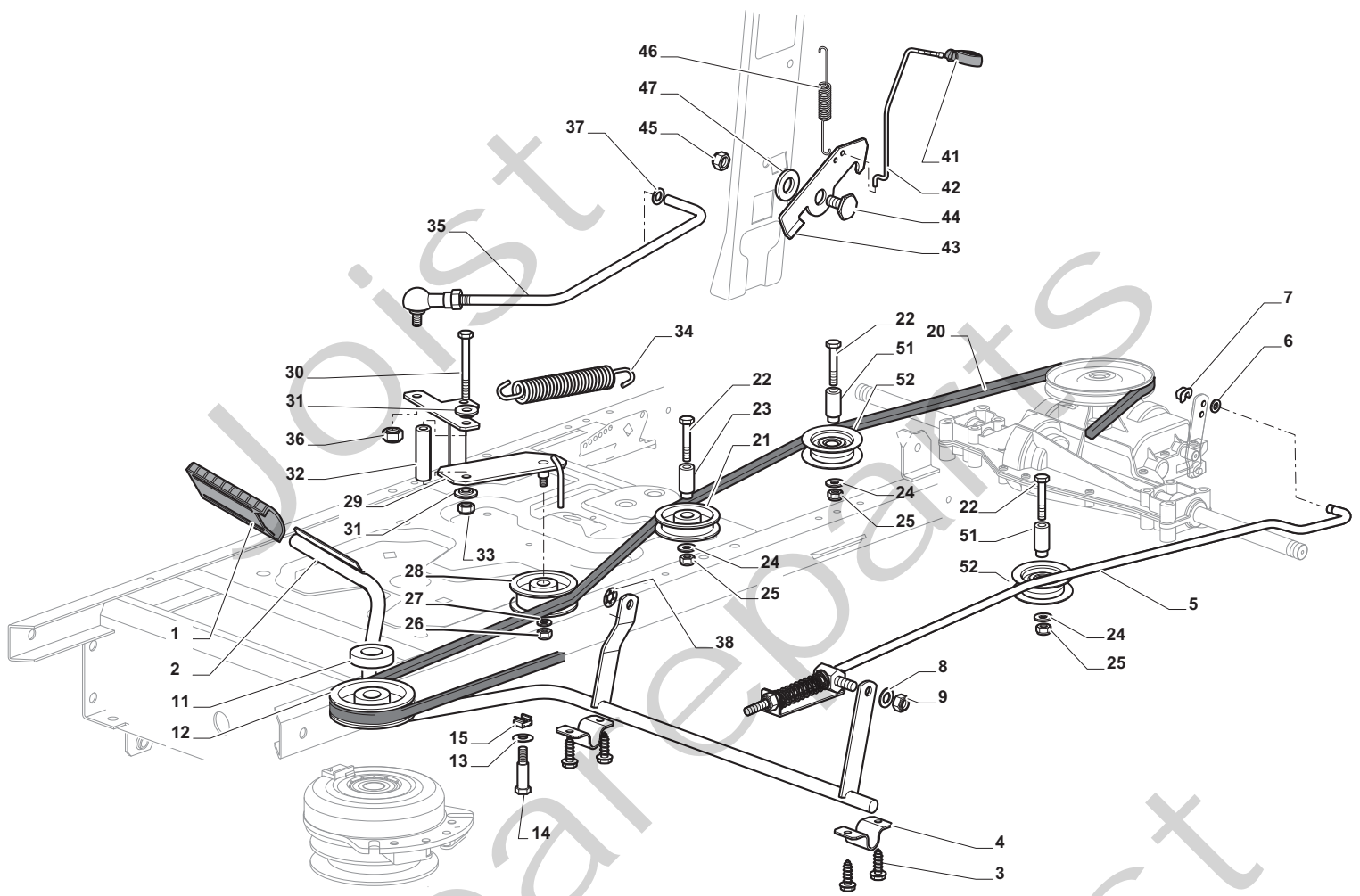
Rear Plate				
POS	CODE	Q.TY	DESCRIPTION	NOTES
1	325774501/0	1	Clamp	
2	325774507/0	1	Clamp	
3	325650163/0	2	Stiffening	
4	125943009/0	8	Screw	
5	125943009/0	2	Screw	
6	325547299/0	1	Rear Plate, Upper Part	
7	12789008/0	1	Screw	
8	27430554/0	1	Spring	
9	12154330/0	1	Nut	
10	125943010/0	4	Screw	
11	12789008/0	6	Screw	
12	12521320/0	6	Washer	
13	12437503/0	6	Plate	
15	12728686/0	2	Screw	
16	325109522/0	1	Protection Cover	
17	325318276/0	1	Gearshift	
18	325785400/0	1	Support	
19	125943010/0	2	Screw	
20	325318277/0	1	Lever	
25	125943009/0	4	Screw	
26	325774521/0	2	Clamp	
28	325650151/0	1	Stiffening	
29	325650153/0	1	Stiffening	
31	325755061/0	1	Bracket	
30	12789008/0	1	Screw	
32	12154330/0	1	Nut	
33	325774533/0	1	Clamp	
34	125510080/1	1	Pin	
35	12154510/0	1	Nut	
36	125430282/0	1	Spring	
37	382547071/0	1	Rear Plate, Lower Part	
40	382180121/0	1	Screws Outfit	



Body				
POS	CODE	Q.TY	DESCRIPTION	NOTES
1	325076914/0	1	Hood, Front,Grey	
2	325410903/0	1	Right Grill	
3	325410904/0	1	Left Grill	
4	325785317/0	1	Engine Hood Support	
5	12735403/0	4	Screw	
6	325263302/1	1	Air Intake Grill	
7	112728692/0	4	Screw	
8	325076913/0	1	Engine Hood Black	
10	112728686/0	4	Screw	
11	325785298/0	1	Dashboard Support	
12	125943010/0	4	Screw	
13	325270325/0	2	Guide	
14	12735599/0	2	Screw	
15	112735406/0	3	Screw	
16	12523040/0	3	Washer	
17	325120202/1	1	Dashboard	
18	125943010/0	2	Screw	
19	325260003/0	2	Grommet	
21	325120203/0	1	Cover	
25	325110397/1	1	Cover, Black	
26	125943010/0	1	Screw	
33	112735406/0	4	Screw	
34	325110435/0	1	Wheels Cover Black	
35	112437506/0	1	Plate	
36	125943010/0	2	Screw	
37	112735406/0	2	Screw	
38	12523040/0	2	Washer	
39	325547208/1	1	Plate	
40	125943010/0	2	Screw	
42	325110384/0	1	Right Footboardcover	
43	325110385/0	1	Left Footboard Cover	
55	325207191/0	1	Plate	
60	325207198/0	1	Cover	
61	325207199/0	1	Cover	
62	12735403/0	4	Screw	
63	325207196/0	1	Cover	
64	325207197/0	1	Cover	

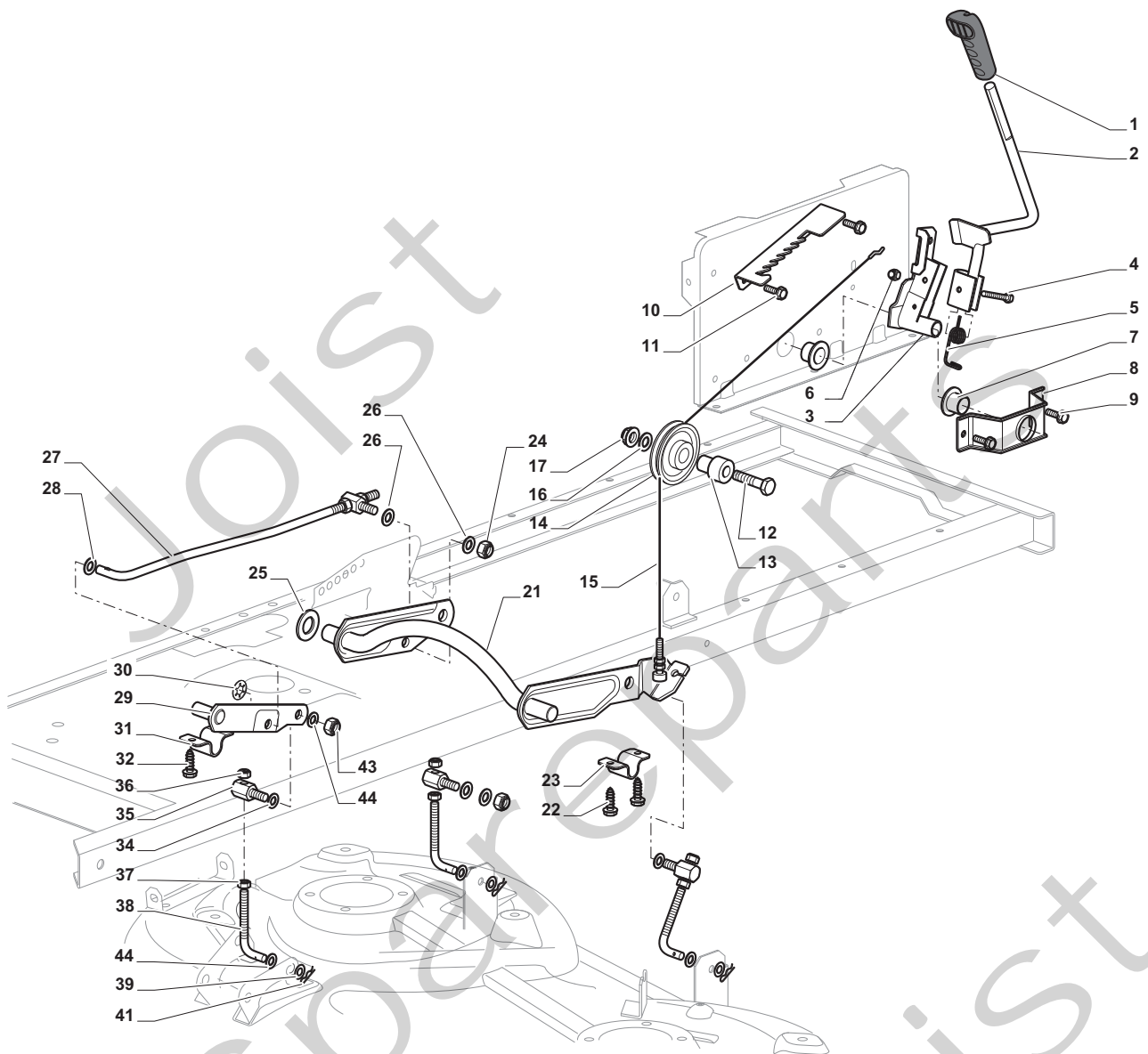


Steering				
POS	CODE	Q.TY	DESCRIPTION	NOTES
1	12692050/0	1	Screw	
2	12540260/0	1	Washer	
3	12523070/0	1	Washer	
4	125160047/0	1	Spacer	
5	325785318/0	1	Support	
6	325038008/0	1	Bush	
7	125520007/0	1	Steering Column	
8	112620300/0	1	Pin	
9	12622650/0	1	Pin	
10	125570003/0	1	Pinion	
11	27943051/0	2	Screw	
12	325785213/1	1	Support	
13	25743000/0	1	Joint	
14	12521370/0	1	Washer	
15	12436030/0	1	Plate	
20	22672151/0	1	Washer	
21	125510104/0	1	Pin	
22	125670023/0	1	Washer	
23	125510109/0	1	Pin	
24	325735519/0	1	Steering Shaft	
25	325547233/0	1	Plate	
26	12369500/0	1	Elastic Washer	
27	22160400/0	1	Elastic Washer	
28	12155010/0	2	Nut	
29	12154210/0	2	Nut	
31	382000566/1	1	Steering Rod	
32	12156602/0	2	Nut	
34	325318243/0	1	Lever	
35	12692390/0	1	Screw	
36	12521360/0	2	Washer	
37	12156602/0	1	Nut	
38	125510103/0	2	Pin	
39	325840029/0	1	Tie Rod	
40	325038007/0	2	Bush	
41	382230369/0	1	Right Stub Axle,(13inch)	
41	382230373/0	1	Right Stub Axle,(15inch)	
42	382230371/0	1	Left Stub Axle,(13inch)	
42	382230375/0	1	Left Stub Axle,(15inch)	
43	12155000/0	2	Nut	
45	382034030/0	1	Equalizer With Bush And Lubricator	
46	12379511/0	2	Grease Dispenser	
47	25034002/1	4	Bush	
48	12001010/0	1	Snap Ring	
51	12692695/0	1	Screw	
52	12523100/0	2	Washer	
53	25160016/0	1	Spacer	
54	12587100/0	1	Grower	
55	12295300/0	1	Nut	
61	25122200/2	4	Bearing	
62	182000598/0	2	Rimm	
63	25950000/0	2	Valve	
64	125590014/0	2	Tire ,(13inch)	
64	127590066/0	2	Tire ,(15inch)	
66	25670005/1	2	Washer	
67	12001010/0	2	Snap Ring	
68	322110233/0	2	Hub Cover	
70	382180124/0	1	Screws Outfit	

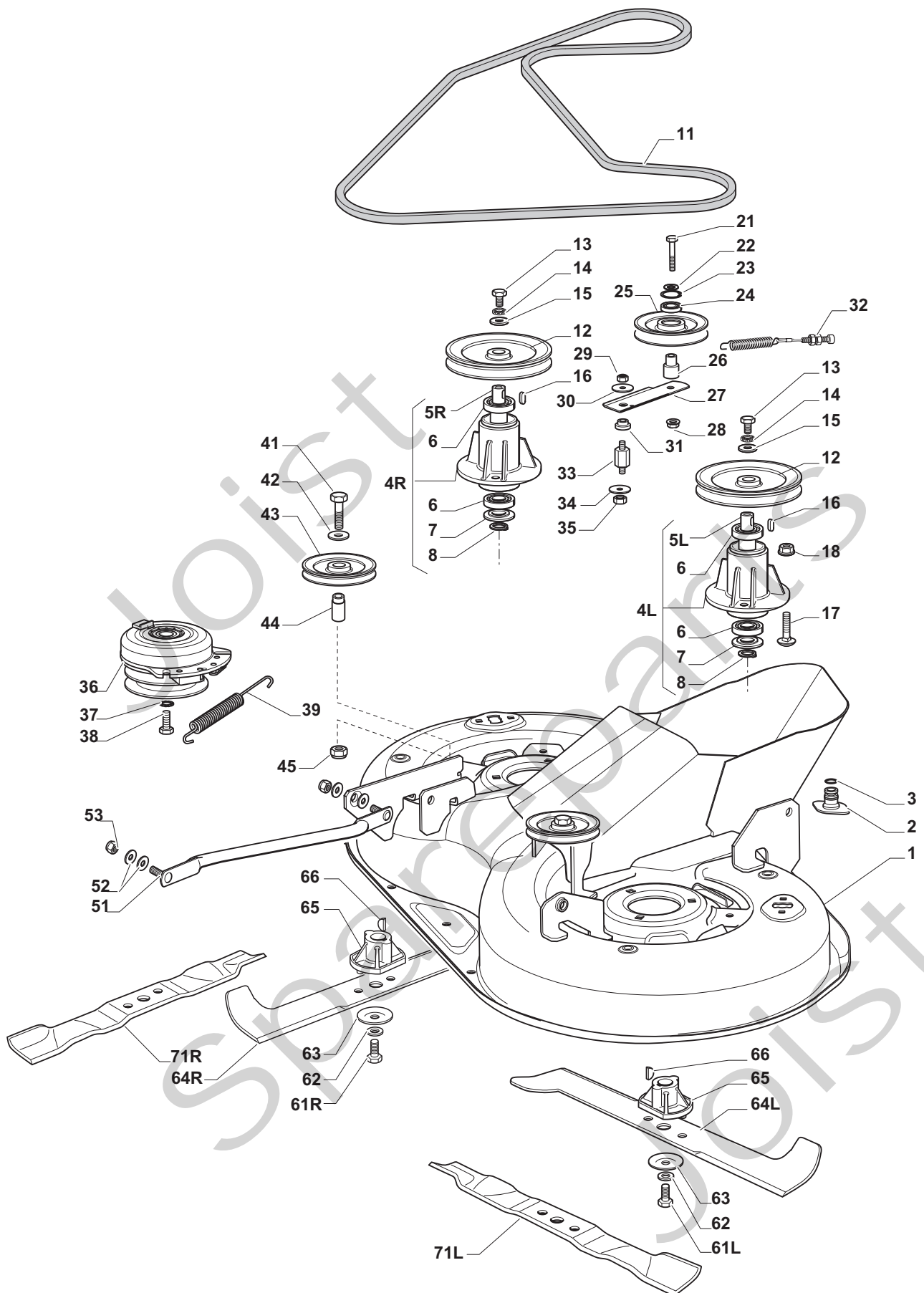


Brake And Gearbox Controls				
POS	CODE	Q.TY	DESCRIPTION	NOTES
1	325110391/0	1	Clamp Cover	
2	382500043/0	1	Pedal	
3	12735599/0	4	Screw	
4	325547231/0	2	Plate	
5	382000568/0	1	Rod	
6	12521350/0	1	Washer	
7	12436050/0	1	Plate	
8	25670011/0	1	Washer	
9	12155000/0	1	Nut	
11	25160021/0	1	Spacer	
12	25601567/0	1	Pulley	
13	12524010/0	2	Washer	
14	25580030/0	2	Belt Guide (Mech.)	
15	12360425/0	2	Nut (Mech.)	
20	135062012/0	1	Belt	
21	25601555/0	1	Pulley	
22	12691400/0	3	Screw	
23	125160051/0	1	Spacer	
24	12523060/0	3	Washer	
25	12155000/0	3	Nut	
26	12155000/0	1	Nut	
27	12523060/0	1	Washer	
28	25601554/0	1	Pulley	
29	382318235/0	1	Lever	
30	12691600/0	1	Screw	
31	25038002/1	2	Bush	
32	25160027/0	1	Spacer	
33	12155000/0	1	Nut	
34	125430262/0	1	Spring	
35	382820016/0	1	Tie Rod Ass.Y	
36	12293201/0	1	Nut	
37	12521350/0	1	Washer	
38	12604899/0	1	Crown Fastener	
41	325394534/0	1	Knob	
42	125033083/0	1	Rod	
43	325253011/1	1	Hook	
44	22524970/2	1	Pin	
45	12155000/0	1	Nut	
46	25430213/0	1	Spring	
47	12523060/0	1	Washer	
51	125160068/0	2	Spacer	
52	125601592/0	2	Pulley	

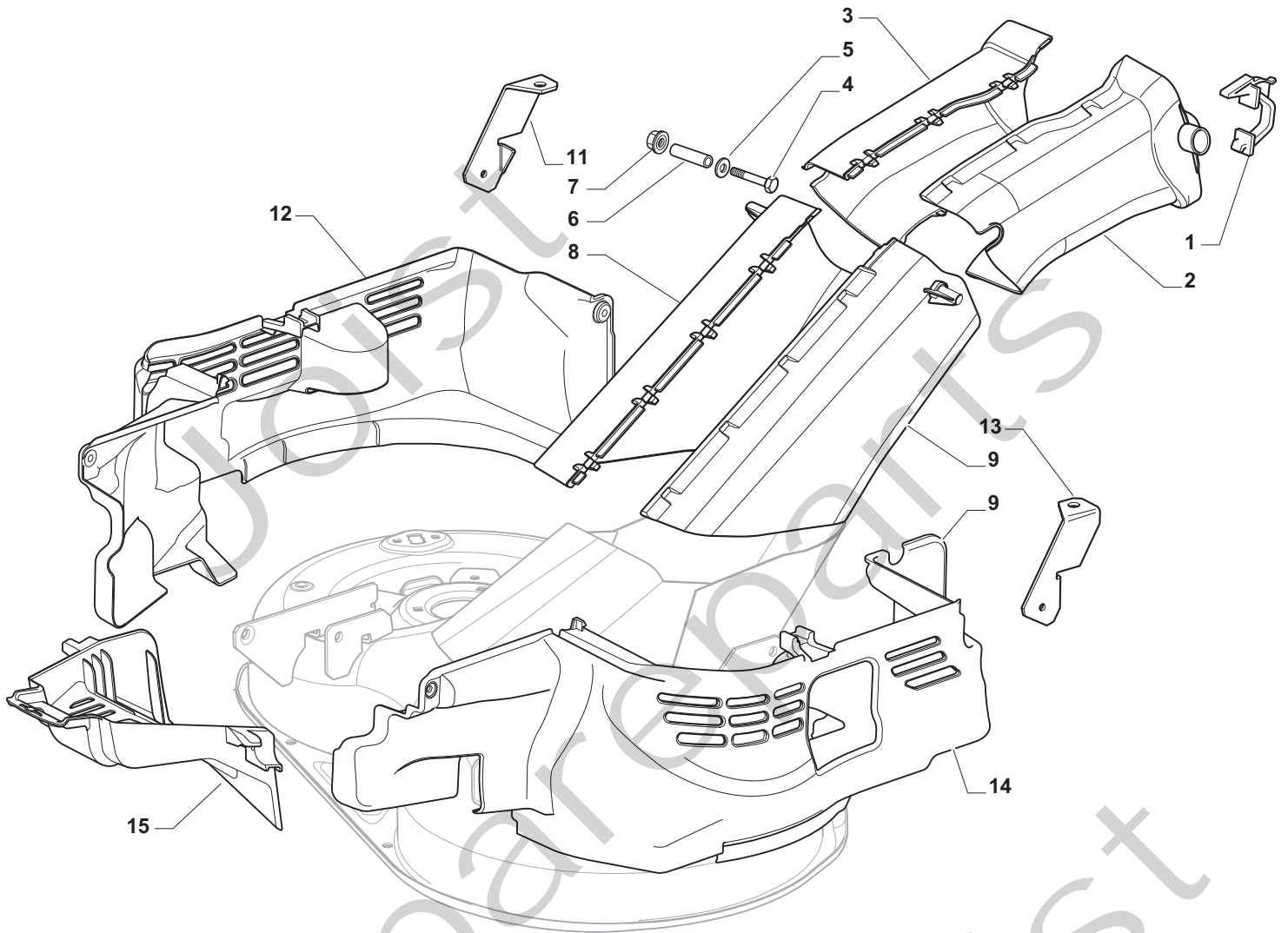
Transmission				
POS	CODE	Q.TY	DESCRIPTION	NOTES
1	325394532/0	1	Knob	
2	382318257/0	1	Lever	
3	382774259/0	1	Clamp	
4	12692050/0	1	Screw	
5	25430226/0	1	Spring	
6	12155000/0	1	Nut	
7	25510035/0	1	Pin	
8	22672151/0	1	Washer	
9	12293201/0	1	Nut	
10	12523060/0	1	Washer	
11	12155010/0	1	Nut	
12	382000567/0	1	Rod	
13	12154210/0	1	Nut	
14	12521340/0	1	Washer	
15	325318235/0	1	Lever	
16	12141418/0	1	Cotter Pin	
17	12735520/0	1	Screw	
18	12540040/0	1	Washer	
19	22680009/0	1	Washer	
21	12691600/0	4	Screw	
22	12521350/0	4	Washer	
23	18400912/0	1	Rear Axle (Dana 4360-211)	
24	12155000/0	4	Nut	
25	82601509/0	1	Pulley	
26	12139430/0	1	Key	
27	12608950/0	1	Snap Ring	
28	125270329/0	1	Belt Guide	
29	12735599/0	2	Screw	
30	125270330/0	1	Belt Guide	
31	125943009/0	4	Screw	
32	325785315/0	2	Support	
33	114363451/0	1	Label	
34	19410610/0	1	Gearbox Switch	
41	25670005/1	2	Washer	
42	125160055/0	2	Spacer	
43	25670005/1	6	Washer	
44	12001010/0	2	Snap Ring	
45	322110233/0	2	Hub Cover	
46	382000597/0	2	Rimm	
47	25950000/0	2	Valve	
48	125590015/0	2	Shoe	



Cutting Plate Lifting				
POS	CODE	Q.TY	DESCRIPTION	NOTES
1	325394533/0	1	Knob	
2	382318255/0	1	Lever	
3	382318231/0	1	Axle	
4	12674700/0	1	Screw	
5	125430261/0	1	Spring	
6	12154510/0	1	Nut	
7	325038006/0	2	Bush	
8	325785297/0	1	Support	
9	125943009/0	2	Screw	
10	325735515/0	1	Steering Shaft	
11	125943009/0	2	Screw	
12	12793701/0	1	Screw	
13	125040636/0	1	Bush	
14	125601579/0	1	Pulley	
15	382004620/0	1	Wire	
16	12523060/0	1	Washer	
17	12293201/0	1	Nut	
21	382318253/0	1	Axle	
22	12735599/0	4	Screw	
23	325547231/0	2	Plate	
24	12155000/0	1	Nut	
25	12521390/0	2	Washer	
26	25670011/0	2	Washer	
27	382000569/1	1	Connecting Rod	
28	12521350/0	1	Washer	
29	382318237/0	1	Axle	
30	12604899/0	1	Crown Fastener	
31	325547231/0	1	Plate	
32	12735599/0	2	Screw	
34	25670008/1	3	Washer	
35	125510107/1	3	Pin	
36	12156602/0	3	Nut	
37	12295200/0	3	Nut	
38	25840012/0	3	Tie Rod	
39	12523060/0	3	Washer	
41	24487998/0	3	Cotter Pin	
43	12156602/0	3	Nut	
44	25670008/1	6	Washer	

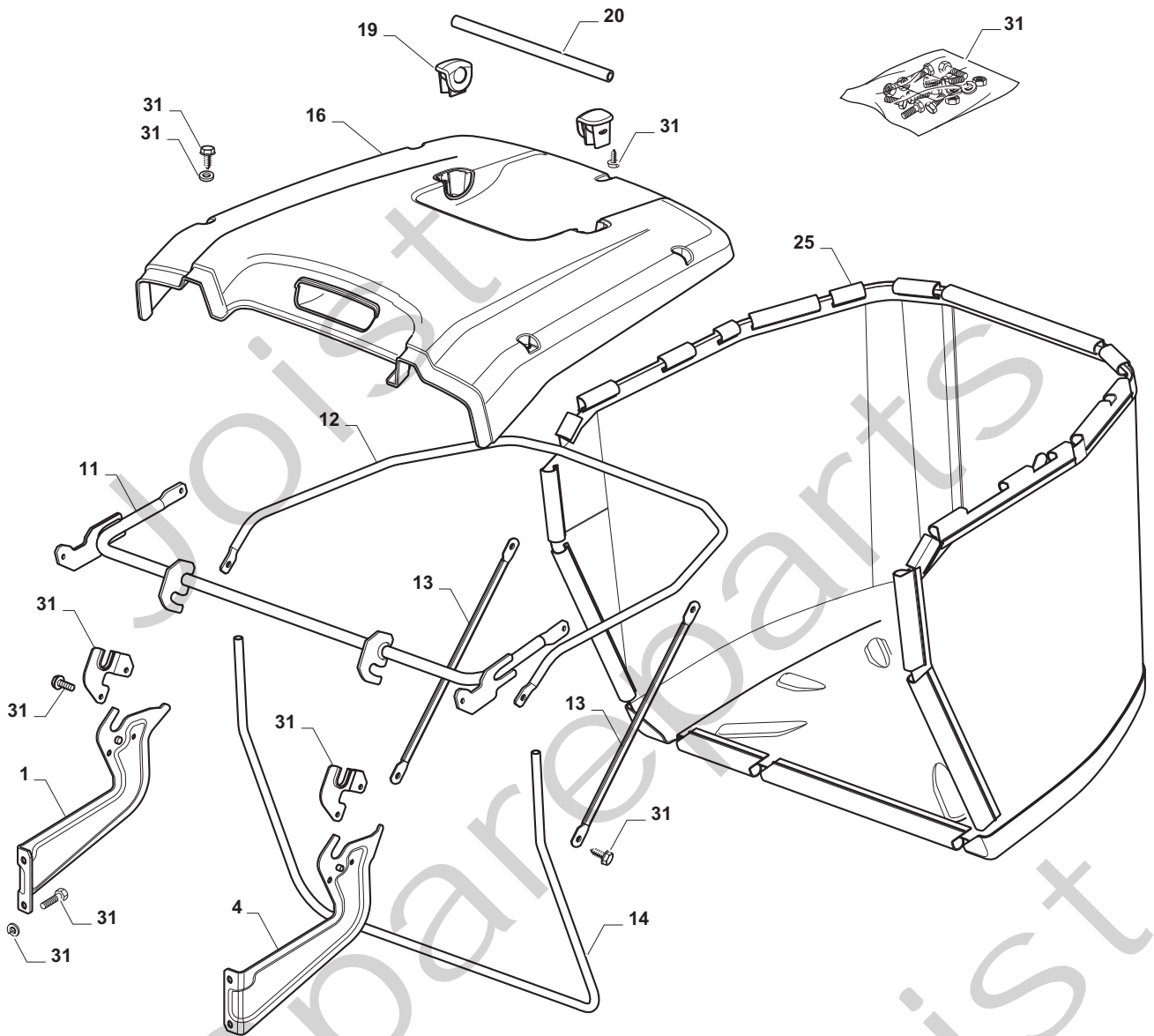


Cutting Plate				
POS	CODE	Q.TY	DESCRIPTION	NOTES
1	382564114/0	1	Plate	
2	325033086/0	2	Water Hose Connection	
3	19035000/0	2	O Ring	
4R	382207205/0	1	Flange Ass.Y	
4L	382207206/0	1	Flange Ass.Y	
5R	125020805/0	1	Shaft	
5L	125020804/0	1	Shaft	
6	119216049/0	4	Bearing	
7	25160501/0	2	Dust Cover	
8	12609260/0	2	Seeger	
11	135061508/0	1	Belt	
12	125601585/1	2	Pulley	
13	12793102/0	2	Screw	
14	12540260/0	2	Washer	
15	25670007/0	2	Washer	
16	12139480/0	2	Key	
17	12818690/0	6	Screw	
18	12154210/0	6	Nut	
21	12691400/0	1	Screw	
22	12524010/0	1	Washer	
23	12610800/0	1	Snap Ring	
24	19216041/0	1	Bearing	
24	119216048/0	1	Bearing	
25	125601595/0	1	Pulley	
26	125160052/0	1	Spacer	
27	325318289/0	1	Lever	
28	12293201/0	1	Nut	
29	12155020/0	1	Nut	
30	125670022/0	1	Washer	
31	125040635/0	1	Bush	
32	82004618/0	1	Wire	
33	125160049/0	1	Spacer	
34	12523080/0	1	Washer	
35	12156602/0	1	Nut	
36	118399069/0	1	Clutc	
37	12543000/0	1	Washer	
38	12737320/0	1	Screw	
39	125430277/0	1	Spring	
41	112691400/0	2	Screw	
42	112523060/0	2	Washer	
43	125601555/0	2	Pulley	
44	125160069/0	2	Spacer	
45	112155000/0	2	Nut	
51	382000565/0	2	Equalizer Rod	
52	25670008/1	8	Washer	
53	12156602/0	4	Nut	
61R	112735695/1	1	Screw	
61L	112735694/0	1	Screw	
62	12523080/0	2	Washer	
63	22160400/0	2	Elastic Washer	
64R	182004358/0	1	Right Blade, Winged	
64L	182004359/0	1	Left Blade, Winged	
65	25463200/0	2	Blade Hub	
66	12139100/0	2	Feather	
71R	182004360/0	1	Right Blade Mulching	
71L	182004361/0	1	Left Blade Mulching	



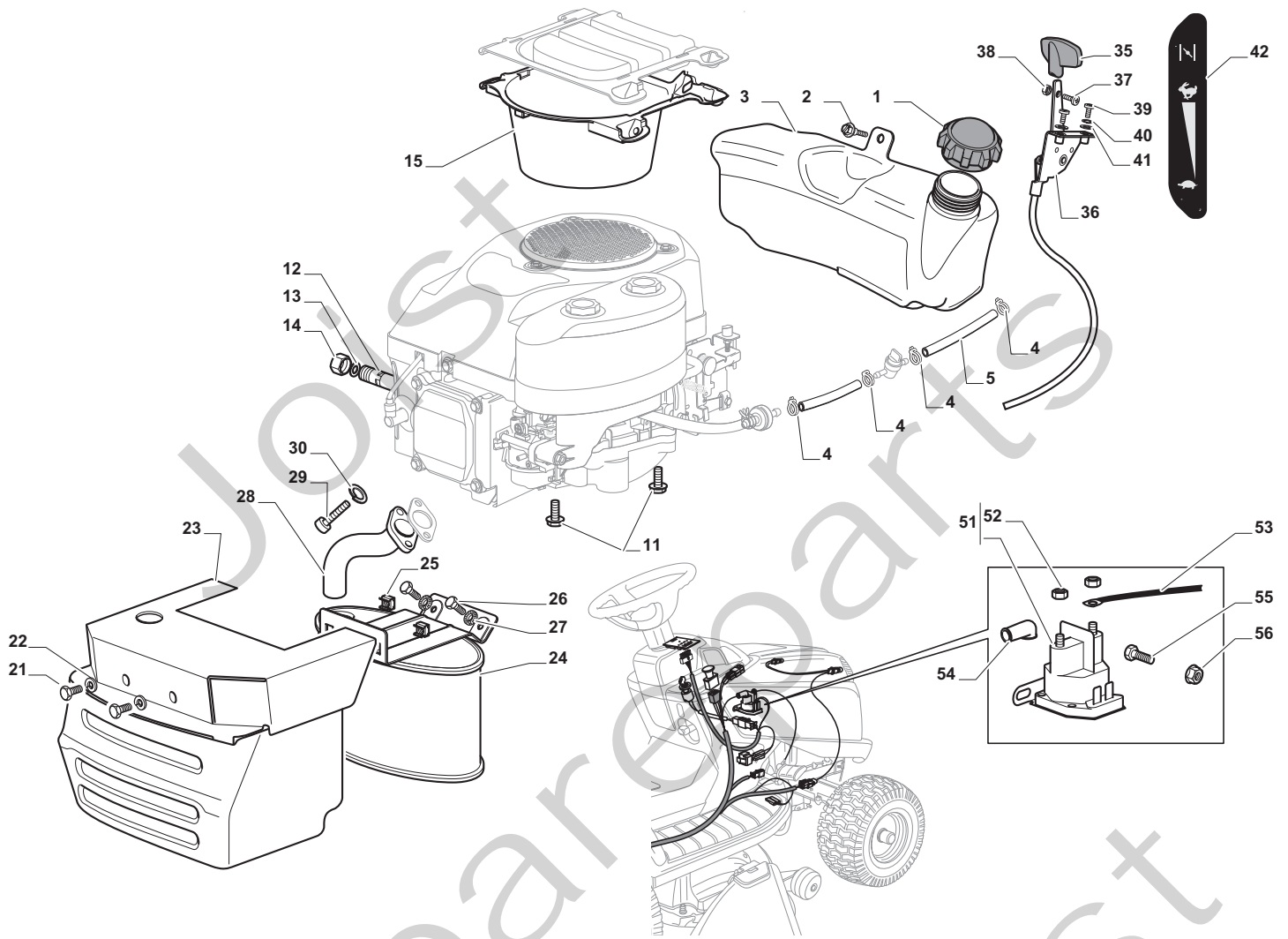
Guards				
POS	CODE	Q.TY	DESCRIPTION	NOTES
1	325774499/0	2	Clamp	
2	325108056/0	1	Conveyor	
3	325108057/0	1	Conveyor	
4	112792425/0	2	Screw	
5	112521330/0	2	Washer	
6	125160071/0	2	Spacer	
7	112292102/0	2	Nut	
8	325108064/0	1	Conveyor	
9	325108065/0	1	Conveyor	
11	325774527/0	1	Clamp	
12	325060164/0	1	Case	
13	325774529/0	1	Clamp	
14	325060165/0	1	Case	
15	325060166/0	1	Guard	

Joist
Spareparts
Joist

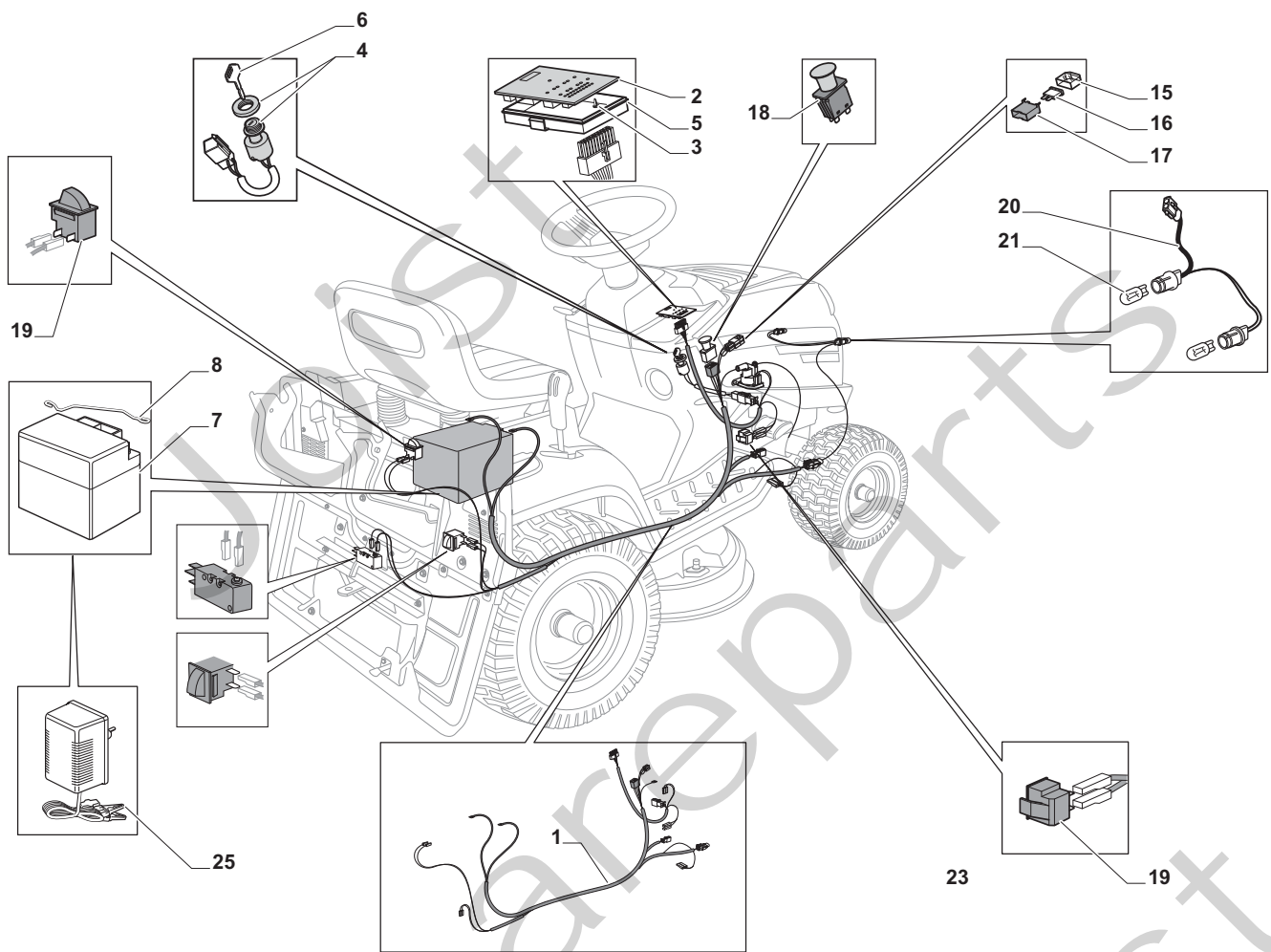


Grasscatcher				
POS	CODE	Q.TY	DESCRIPTION	NOTES
1	325785377/0	1	Support	
4	325785383/0	1	Support	
11	382800147/0	1	Upper Frame	
12	382800145/0	1	Upper Frame	
13	325650161/0	2	Stiffening	
14	382800143/0	1	Front Frame	
16	325110437/0	1	Grass-Catcher Cover, Black	
19	325785417/0	2	Support	
20	325394538/0	1	Handle	
25	182105942/0	1	Grasscatcher	
31	382180122/0	1	Screws Outfit	

Joist
Spareparts
Joist

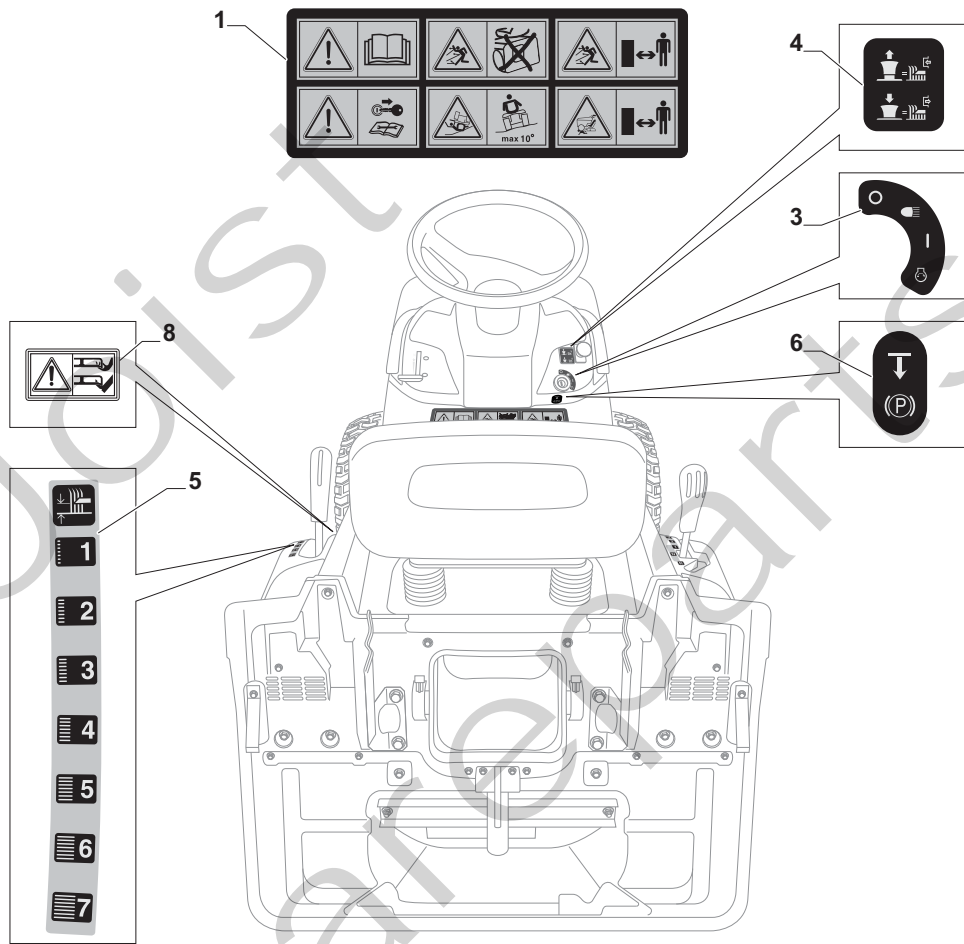


Engine - GGP				
POS	CODE	Q.TY	DESCRIPTION	NOTES
1	25795001/1	1	Cap	
2	125943006/0	4	Screw	
3	325735126/0	1	Tank	
4	18375051/1	4	Fair Led	
5	25869057/0	1	Connecting Tube (1000 Mm)	
11	112735108/1	4	Screw	
12	27598060/0	1	Oil Discharge Extension	
13	18401001/1	1	Oil Seal	
14	18737849/0	1	Oil Cap	
15	325108044/1	1	Conveyor	
15	325108044/0	1	Conveyor	
21	12792611/0	2	Screw	
22	12540260/0	2	Washer	
23	382598045/0	1	Muffler Protection	
24	182750010/0	1	Muffler	
25	12360425/0	2	Nut (Mech.)	
26	12792611/0	2	Screw	
27	12540260/0	2	Washer	
28	118738231/1	1	Exhaust Tube	
29	12737450/0	2	Screw	
30	12540260/0	2	Washer	
35	325394531/0	1	Knob	
36	182000215/0	1	Accelerator	
37	112726389/0	1	Screw	
38	12290800/0	1	Nut	
39	112726389/0	2	Screw	
40	12540020/0	2	Washer	
41	12521310/0	2	Washer	
42	114363697/0	1	Label	
51	18736111/0	1	Starter Relay	
52	12360352/0	2	Nut	
53	25065002/0	1	Cable	
54	18564864/1	1	Protection	
55	12790781/0	1	Screw	
56	12154510/0	2	Nut	



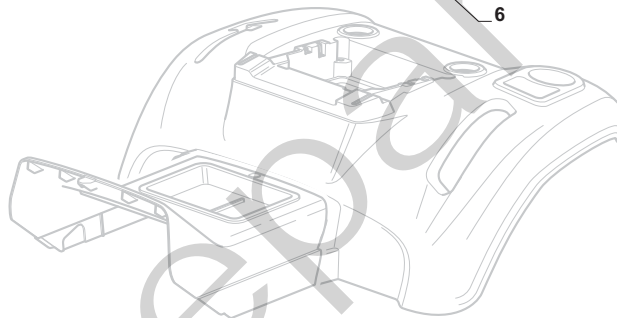
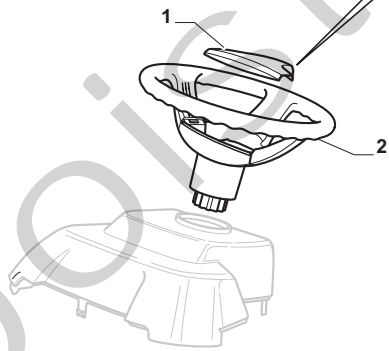
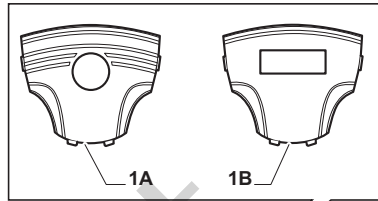
Electrical Parts				
POS	CODE	Q.TY	DESCRIPTION	NOTES
1	182040183/0	1	Cables Ass.Y	
2	125722437/0	1	Electronic Card	
3	112735101/0	3	Screw	
4	118450075/0	1	Starting Switch	
5	325600090/0	1	Card Protection	
6	118210023/0	1	Starting Key	
7	18120002/1	1	Battery	
8	125430265/0	1	Spring	
15	33215000/0	2	Cover	
16	33340040/0	1	Fuse 10A	
16	33340036/0	1	Fuse 25 A	
17	33500007/0	2	Fuse Carrier	
18	118450074/0	1	Clutch Switch	
19	119410613/0	3	Micro	
20	182040186/0	1	Cable	
21	18459100/0	2	Farilamp For Lights	
22	119410605/1	1	Full Grasscatc. Micro	
25	182180090/0	1	Battery Charger	
25	182180091/0	1	Battery Charger (U.K.)	

Joist
Spareparts
Joist



Labels				
POS	CODE	Q.TY	DESCRIPTION	NOTES
1	114361553/1	1	Label	
3	114363699/0	1	Label	
4	14361438/0	1	Label	
5	114363701/0	1	Label	
6	114363700/0	1	Label	
8	114356699/1	1	Label	

Joist
Spareparts
Joist



Seat & Steering Wheel				
POS	CODE	Q.TY	DESCRIPTION	NOTES
1A	325580503/0	1	Steering Plate	
1B	325580504/0	1	Steering Plate	
2	325961219/0	1	Steering Wheel	
5	125722472/0	1	Seat	
6	12792611/0	4	Screw	
7	12540260/0	4	Washer	
8	12523060/0	4	Washer	

Joist
Spareparts
Joist