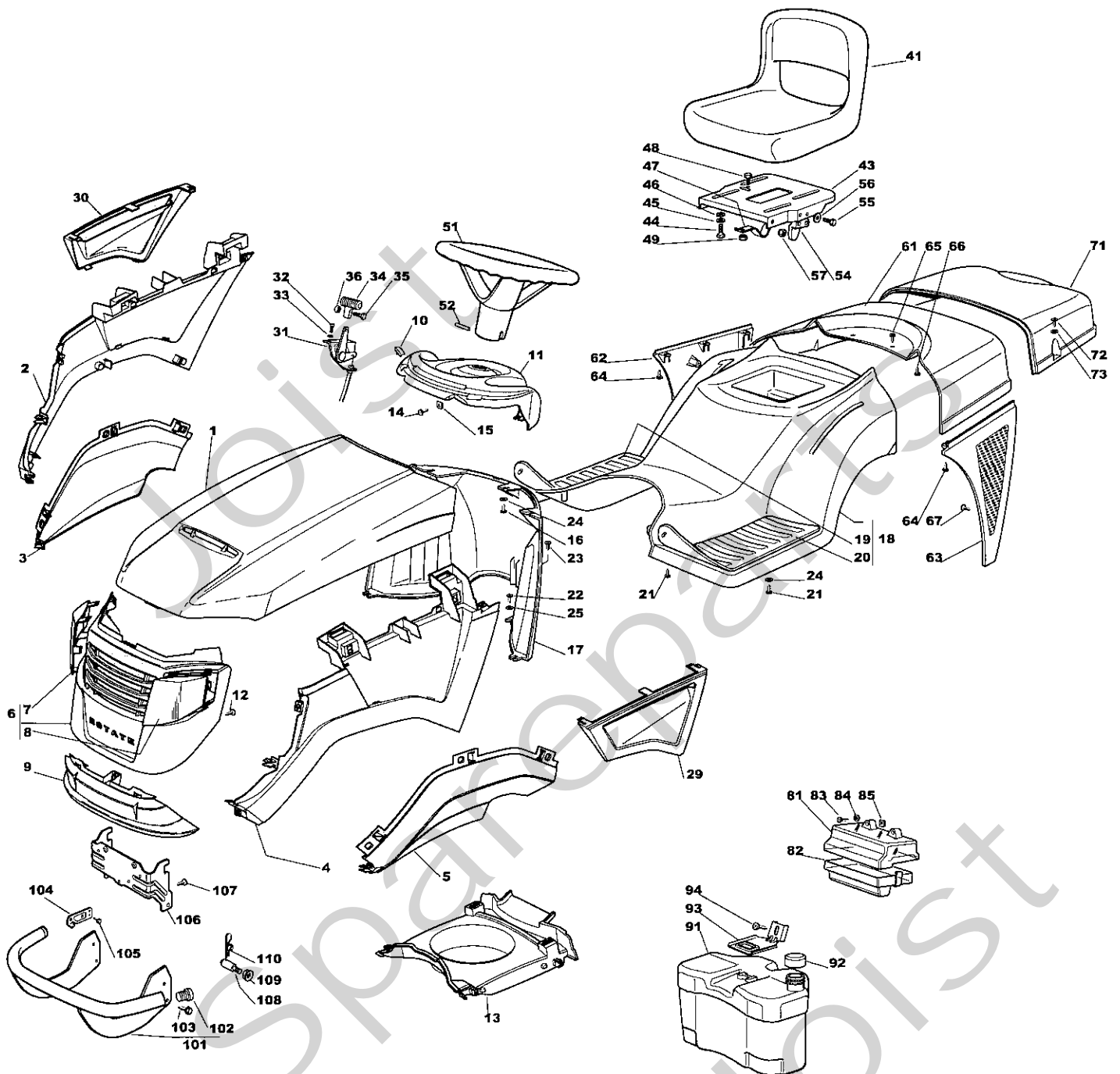


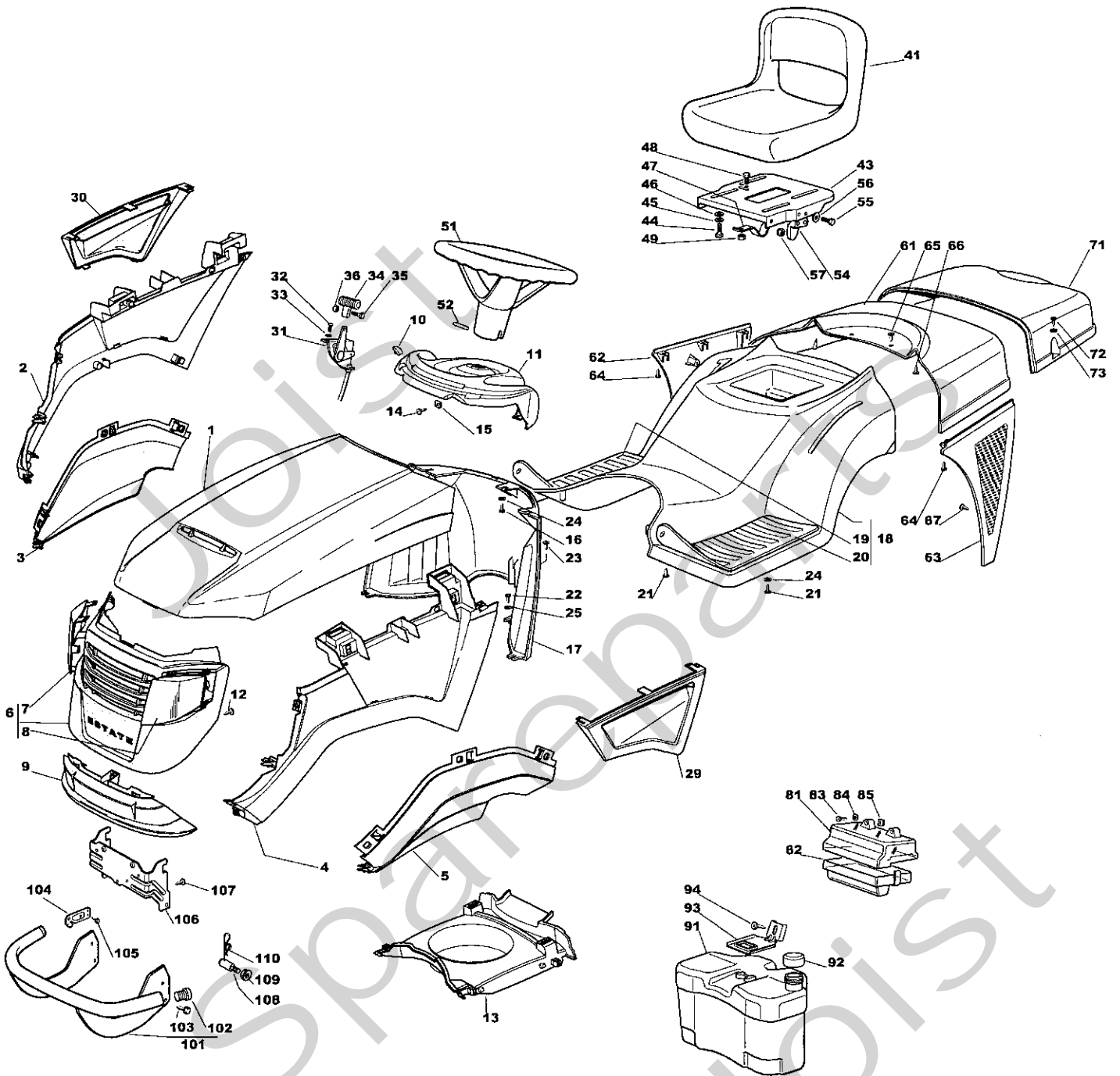
Genuine Spare Parts



Joist
Spareparts
Joist

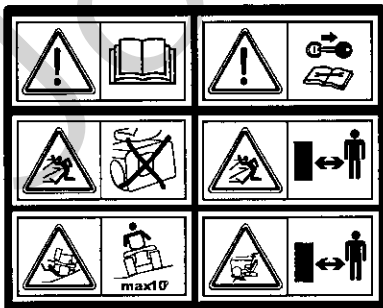
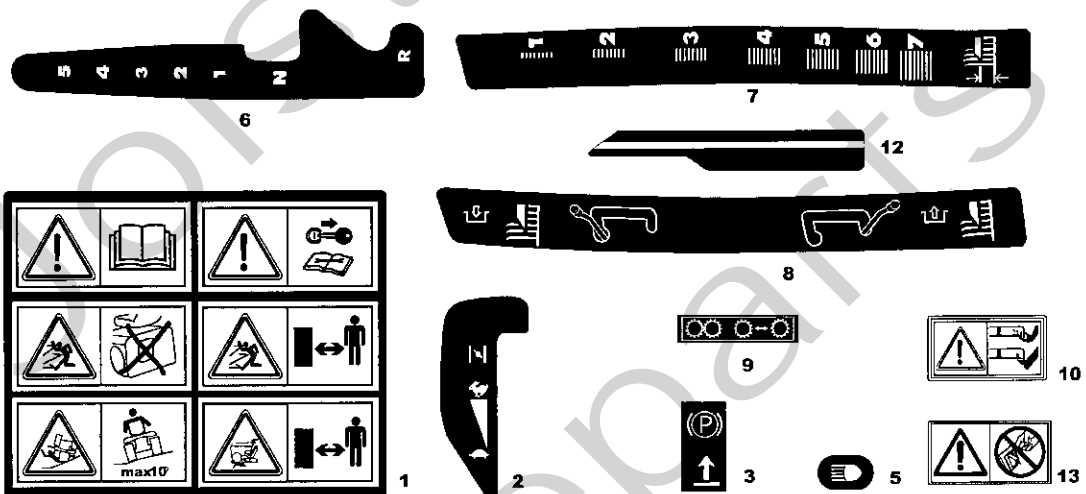


Utgåva Issue		Bildnr Picture No		ESTATE SENATOR ESTATE PRESIDENT KAROSS		ESTATE SENATOR ESTATE PRESIDENT BODY WORK		Sida Page
2006-13		2077						92
Pos. Fig.	Antal/Quantity			Art nr Part No	Benämning	Description	Sats Kit	Anmärkning Notes
	2553	2556						
X	1	1	1	1136-2072-01	Motorhuv-övre, gul.....	Engine hood- upper, ye.....		
X	2	1	1	1136-2101-01	Huv-övre hö, gul.....	Hood- upper RH, yellow.....		
X	3	1	1	1136-2106-01	Huv-undre hö, grå.....	Hood- lower RH, grey.....		
X	4	1	1	1136-2102-01	Huv-övre vä, gul.....	Hood- upper LH, yellow.....		
X	5	1	1	1136-2105-01	Huv-undre vä, grå.....	Hood- lower LH, grey.....		
X	6	1	1	1136-2176-01	Huv-främre, grå.....	Hood- front, grey.....		
X	7	1	1	1136-2124-01	• Skydd, hö.....	• Grill, RH.....		
X	8	1	1	1136-2125-01	• Skydd, vä.....	• Grill, LH.....		
X	9	1	1	1136-2071-01	Huv-främre undre, grå.....	Hood- front lower, gre.....		
	10	2	2	1136-0179-01	Huvskydd.....	Grommet.....		
	11	1	1	1136-0871-01	Instrumentbräda.....	Dashboard.....		
	12	6	6	1136-0816-01	Skruv.....	Screw.....		
X	13	1	1	1136-2075-01	Kåpa.....	Conveyor.....		
	14	2	2	9848-8013-16	Skruv.....	Screw.....		
	15	2	2	1136-0010-01	Låsplatta.....	Lock plate.....		
	16	3	3	9836-9618-12	Skruv.....	Screw.....		
	17	1	1	1136-0926-01	Stöd.....	Support.....		
	18	1	1	1136-0475-01	Hjulkåpa- gul.....	Wheel cover- yellow.....		Inkl. pos 19, 20
	18		1	1136-0476-01	Hjulkåpa.....	Wheel cover.....		Inkl. pos 19, 20
	19	1	1	1136-0148-01	• Fotstegsskydd- hö.....	• Footboard cover- RH.....		
	20	1	1	1136-0147-01	• Fotstegsskydd- vä.....	• Footboard cover- LH.....		
	21	6	6	9836-9635-12	Skruv.....	Screw.....		
	22	4	4	9836-9618-12	Skruv.....	Screw.....		
	23	1	1	9836-9525-12	Skruv.....	Screw.....		
	24	5	5	9699-0060-02	Planbricka.....	Flat washer.....		
	25	4	4	9699-0085-02	Planbricka.....	Flat washer.....		
X	29	1	1	1136-2103-01	Kåpa, vä.....	Cover, LH.....		
X	30	1	1	1136-2104-01	Kåpa, hö.....	Cover, RH.....		
	31	1	1	1136-0440-01	Gasreglage.....	Throttle control.....		
X	31		1	1136-2163-01	Gasreglage.....	Throttle control.....		13-2556-41 Honda
	32	2	2	9997-0412-16	Skruv.....	Screw.....		
	33	2	2	9683-0010-02	Bricka.....	Washer.....		
	34	1	1	1136-0192-01	Knopp.....	Handle.....		
	35	1	1	9865-0412-16	Skruv.....	Screw.....		
	36	1	1	9799-0431-02	Mutter.....	Nut.....		
	41	1	1	1136-0315-01	Sits.....	Seat.....		
	43	1	1	1136-0252-01	Sitsplatta.....	Seat plate.....		
	44	4	4	9997-0820-16	Skruv.....	Screw.....		
	45	4	4	9683-0030-02	Låsbricka.....	Lock washer.....		
	46	4	4	9699-0056-02	Planbricka.....	Flat washer.....		
	47	1	1	1136-0891-01	Fjäder.....	Spring.....		
	48	1	1	9997-0512-16	Skruv.....	Screw.....		
	49	1	1	9747-0531-02	Mutter.....	Nut.....		
	51	1	1	1136-0360-01	Ratt.....	Steering wheel.....		
	52	1	1	9595-0272-00	Stift.....	Pin.....		
	54	1	1	1136-0942-01	Kam.....	Cam.....		
	55	2	2	1136-0820-01	Skruv.....	Screw.....		
	56	2	2	9699-0018-02	Bricka.....	Washer.....		
	57	2	2	9747-0531-02	Mutter.....	Nut.....		
	61	1	1	1136-0143-01	Lock.....	Cover.....		
	62	1	1	1136-0277-01	Skydd- hö.....	Guard- RH.....		
	63	1	1	1136-0278-01	Skydd- vä.....	Guard- LH.....		
	64	6	6	9836-9618-12	Skruv.....	Screw.....		
	65	2	2	9847-8216-16	Skruv.....	Screw.....		
	66	3	3	9836-9618-12	Skruv.....	Screw.....		
	67	6	6	9836-9618-12	Skruv.....	Screw.....		
	71	1	1	1136-0142-01	Uppsamlarlock.....	Grass catcher cover.....		
	72	4	4	9847-8116-16	Skruv.....	Screw.....		
	73	4	4	9699-0035-02	Planbricka.....	Flat washer.....		
	81	1	1	1136-0275-01	Skydd- övre.....	Guard- upper.....		
	82	1	1	1136-0276-01	Skydd- nedre.....	Guard- lower.....		
	83	2	2	9847-8038-16	Skruv.....	Screw.....		
	84	2	2	9699-0024-02	Planbricka.....	Flat washer.....		



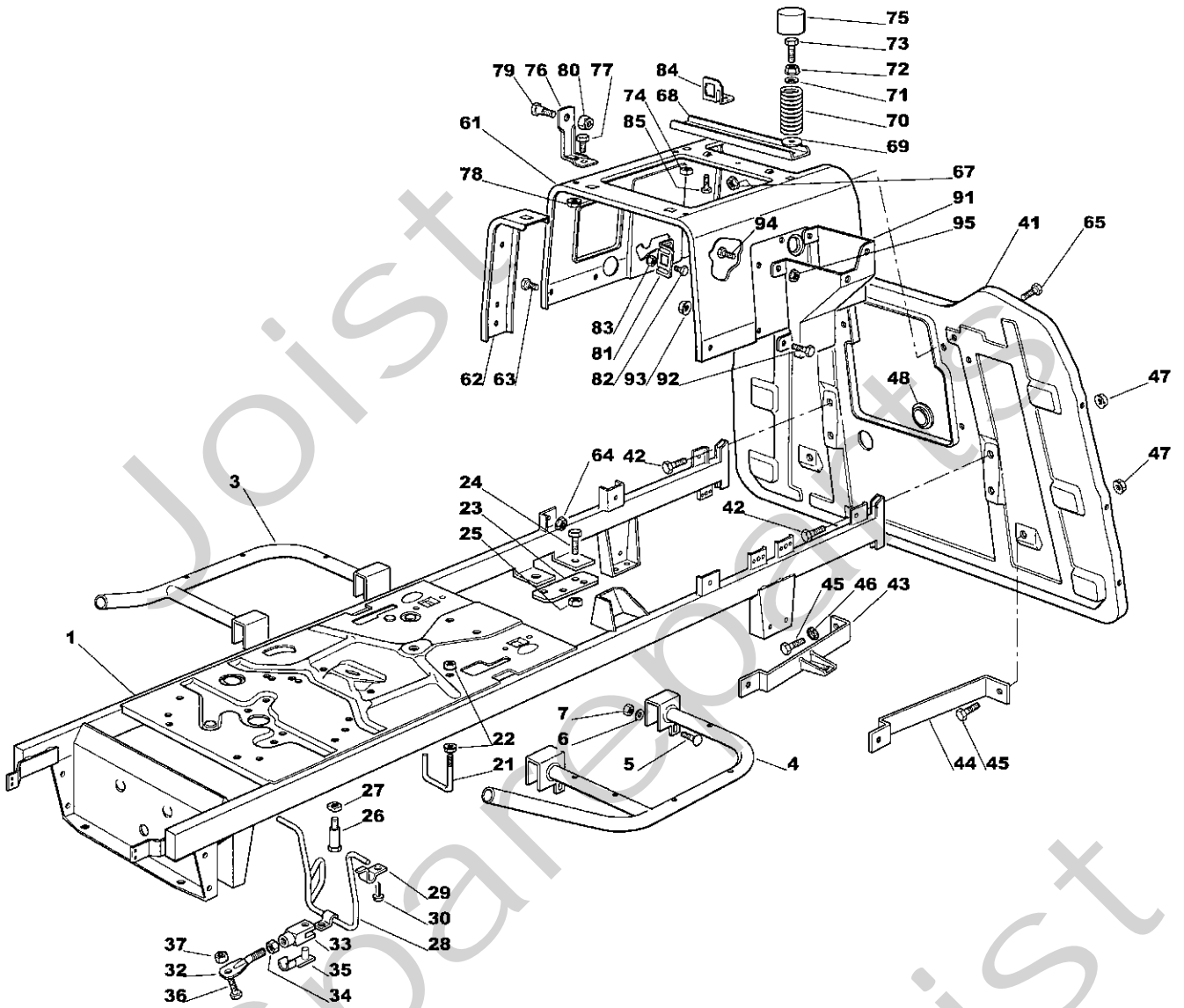
Utgåva Issue 2006-13	Bildnr Picture No 2077	ESTATE SENATOR ESTATE PRESIDENT KAROSS	ESTATE SENATOR ESTATE PRESIDENT BODY WORK	Sida Page 94
----------------------------	------------------------------	--	---	--------------------

Pos. Fig.	Antal/Quantity		Art nr Part No	Benämning	Description	Sats Kit	Anmärkning Notes
	2553	2556					
	2	2	1136-0010-01	Låsplatta	Lock plate		
	1	1	1136-0318-01	Bränsletank	Fuel tank		
	1	1	1136-0344-01	Tanklock	Tank cap		
	1	1	1136-0327-01	Tankfäste	Tank support		
	1	1	9848-8013-16	Skruv	Screw		
X	1	1	1136-2190-01	Ljuddämparskydd	Muffler protection		Inkl. pos 102
X	2	2	1136-2063-01	• Plugg	• Cap		
	4	4	9847-8216-16	Skruv	Screw		
X	2	2	1136-2130-01	Huvfäste	Hood plate		
	4	4	9847-8009-16	Skruv	Screw		
X	1	1	1136-2142-01	Huvstöd	Hood support		
	5	5	1136-0816-01	Skruv	Screw		
X	2	2	1136-2127-01	Axel	Pin		
	2	2	9739-0831-22	Mutter	Nut		
	2	2	9598-0002-02	Låsnål	Pin lock		



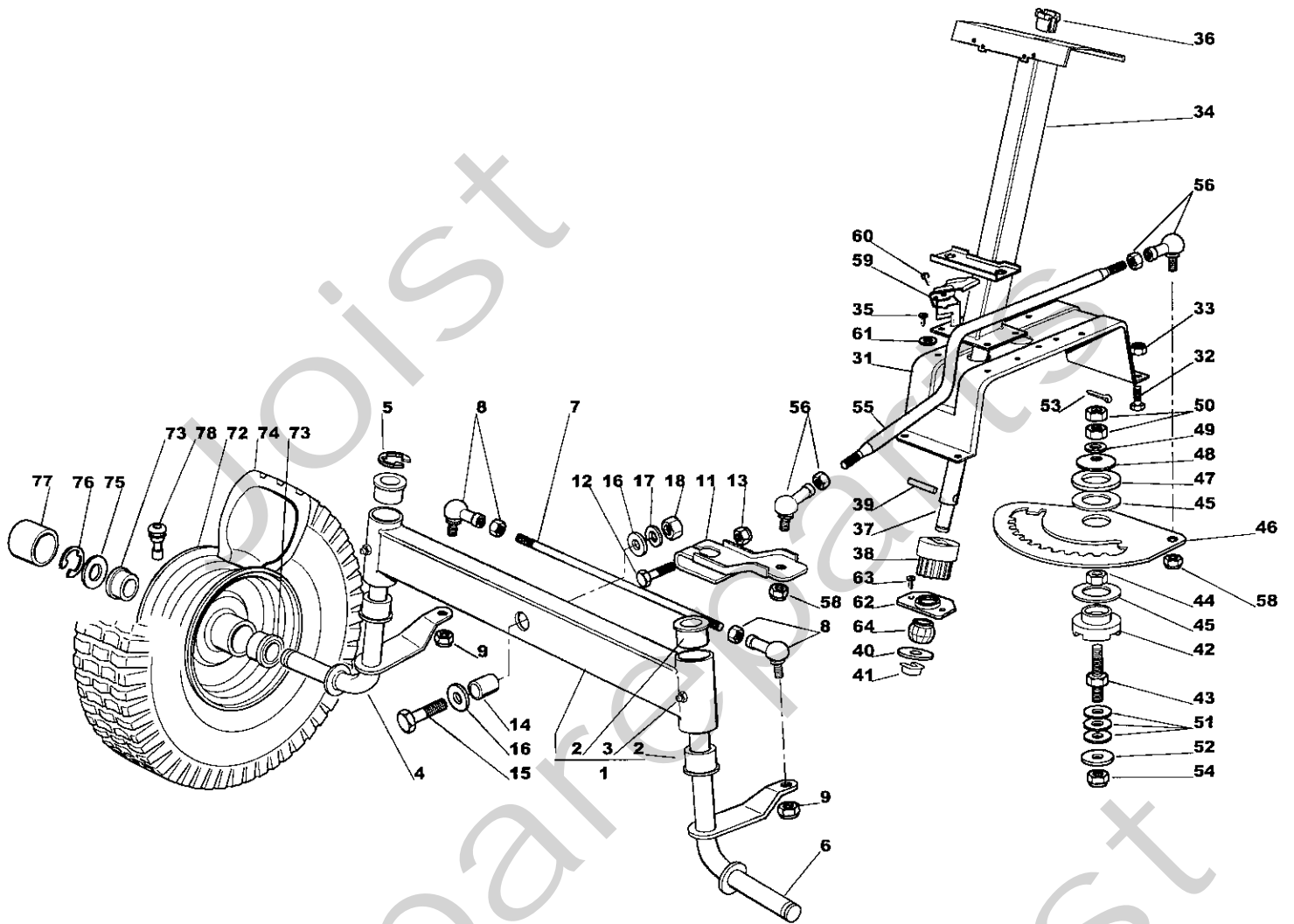
Utgåva Issue 2006- 13	Bildnr Picture No 1208C	ESTATE SENATOR ESTATE PRESIDENT DEKALER	ESTATE SENATOR ESTATE PRESIDENT LABELS	Sida Page 96
-----------------------------	-------------------------------	---	--	--------------------

Pos. Fig.	Antal/Quantity		Art nr Part No	Benämning	Description	Sats Kit	Anmärkning Notes
	2553	2556					
1	1	1	1136-0025-01	Dekal	Label		
2	1	1	1136-0026-01	Dekal	Label		
3	1	1	1136-0020-01	Dekal	Label		
5	1	1	1136-0031-01	Dekal	Label		
6	1	1	1136-0027-01	Dekal	Label		
7	1	1	1136-0028-01	Dekal	Label		
8	1	1	1136-0029-01	Dekal	Label		
9	1	1	1136-0030-01	Dekal	Label		
10	2	2	1136-0021-01	Dekal	Label		
12	1	1	1136-1217-01	Dekal	Label		
13	1	1	1136-1635-01	Dekal	Label		
99	1	1	1136-1451-01	Dekal "STIGA"	Label "STIGA"		Ø 55 mm
99	3	3	1136-1453-01	Dekal "STIGA"	Label "STIGA"		140 x 33 mm
X			1136-2196-01	Dekal "President K"	Label "President K"		Ej ill/not ill.
X	2		1136-2203-01	Dekal "Senator"	Label "Senator"		Ej ill/not ill.
X		2	1136-2205-01	Dekal "President H"	Label "President H"		Ej ill/not ill.

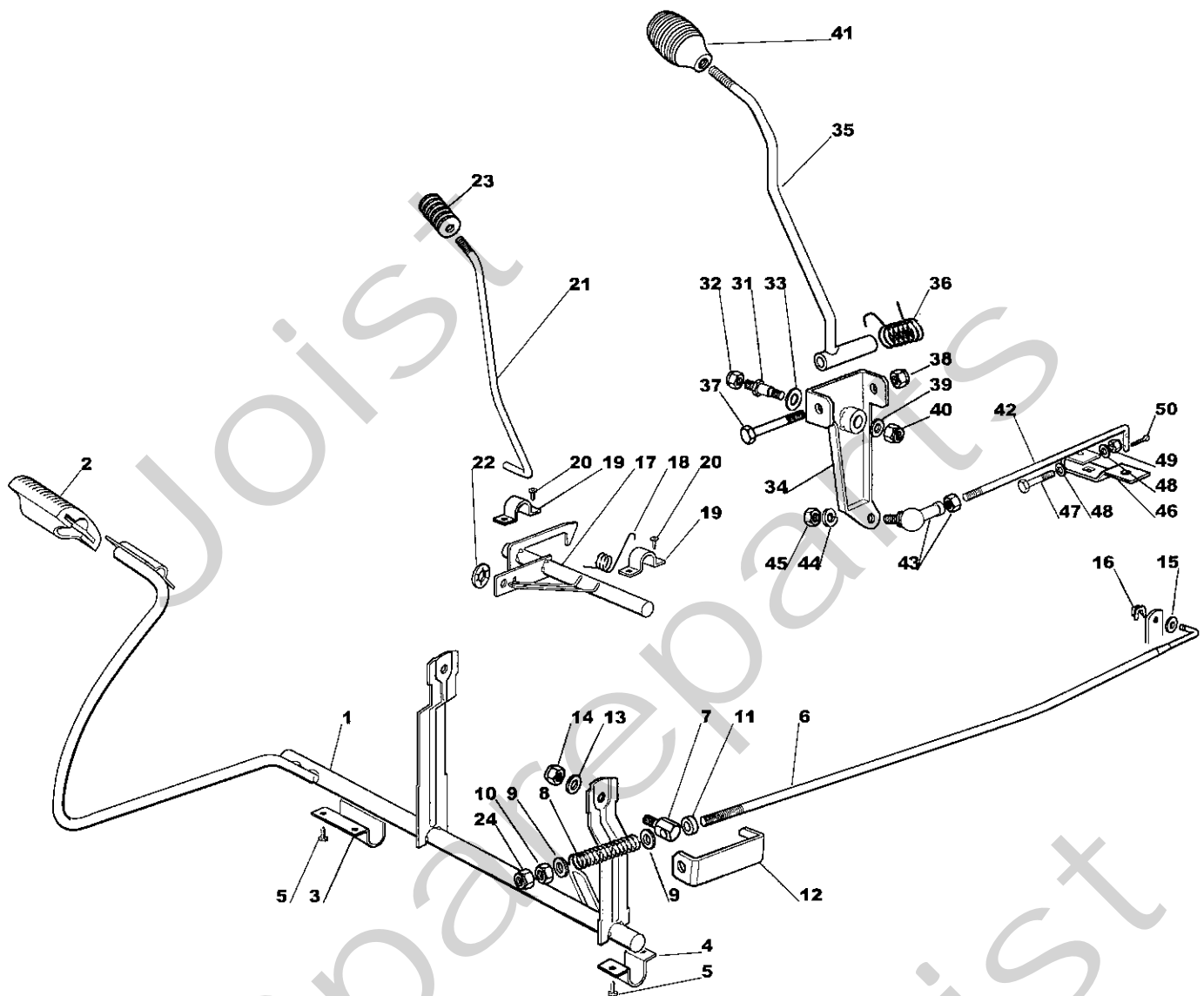


Utgåva Issue		Bildnr Picture No		ESTATE SENATOR ESTATE PRESIDENT CHASSI		ESTATE SENATOR ESTATE PRESIDENT CHASSIS		Sida Page	
2006-13		1211D						98	
Pos. Fig.	Antal/Quantity			Art nr Part No	Benämning	Description	Sats Kit	Anmärkning Notes	
	2553	2556							
1	1	1		1136-1499-01	Ram.....	Frame.....			
3	1	1		1136-0548-01	Fotstegsstöd- hö.....	Footboard support- RH.....			
4	1	1		1136-0549-01	Fotstegsstöd- vä.....	Footboard support- LH.....			
5	4	4		9898-0645-12	Skruv.....	Screw.....			
6	4	4		9699-0060-02	Planbricka.....	Flat washer.....			
7	4	4		9747-0631-02	Låsmutter.....	Lock nut.....			
21		1		1136-0267-01	Remstyrning.....	Belt guide.....			
22		2		9739-0631-22	Mutter.....	Nut.....			
23		2		1136-0261-01	Platta.....	Plate.....			
24		2		9997-0820-16	Skruv.....	Screw.....			
25		2		9747-0831-02	Mutter.....	Lock nut.....			
26	2			1136-0907-01	Remstyrning.....	Belt guide.....			
27	2			1136-0004-01	Fyrkantmutter.....	Square nut.....			
28	1	1		1136-1784-01	Remstyrning.....	Belt guide.....			
29	2	2		1136-1247-01	Platta.....	Plate.....			
30	2	2		9847-8216-16	Skruv.....	Screw.....			
32	1	1		1136-1281-01	Justerstång.....	Tie rod.....			
33	1	1		1136-0047-01	Gaffel.....	Fork.....			
34	1	1		9799-0631-02	Mutter.....	Nut.....			
35	1	1		1136-0042-01	Låsbult.....	Clip bolt.....			
36	1	1		9997-0820-16	Skruv.....	Screw.....			
37	1	1		9739-0831-22	Mutter.....	Nut.....			
41	1	1		1136-0515-01	Plåt- bak.....	Plate- rear.....			
42	2	2		9997-0816-16	Skruv.....	Screw.....			
43	1	1		1136-0525-01	Förstärkningsstag- hö.....	Reinforcement plate- R.....			
44	1	1		1136-0300-01	Förstärkningsstag- vä.....	Reinforcement plate- L.....			
45	4	4		9997-0816-16	Skruv.....	Screw.....			
46	1	1		9677-0009-02	Låsbricka.....	Lock washer.....			
47	6	6		9739-0831-22	Mutter.....	Nut.....			
48	1	1		1136-0082-01	Lock.....	Cap.....			
61	1	1		1136-0337-01	Sitsfäste.....	Seat support.....			
62	2	2		1136-0301-01	Förstärkningsstag.....	Reinforcement plate.....			
63	4	4		9997-0614-16	Skruv.....	Screw.....			
64	4	4		9739-0631-22	Mutter.....	Nut.....			
65	4	4		9997-0614-16	Skruv.....	Screw.....			
67	4	4		9739-0631-22	Mutter.....	Nut.....			
68	1	1		1136-0302-01	Förstärkningsstag.....	Reinforcement plate.....			
69	2	2		9699-0056-02	Planbricka.....	Flat washer.....			
70	2	2		1136-0202-02	Fjäder.....	Spring.....			
71	2	2		9699-0090-02	Planbricka.....	Flat washer.....			
72	2	2		9739-0831-22	Mutter.....	Nut.....			
73	2	2		1136-0358-01	Skruv.....	Screw.....			
74	2	2		1136-0003-01	Fyrkantmutter.....	Square nut.....			
75	2	2		1136-0156-01	Lock.....	Cap.....			
76	2	2		1136-0321-01	Vinkelfäste.....	Bracket.....			
77	2	2		9997-0816-16	Skruv.....	Screw.....			
78	2	2		9739-0831-22	Mutter.....	Nut.....			
79	2	2		1136-0086-01	Bult.....	Bolt.....			
80	2	2		9712-0831-02	Låsmutter.....	Lock nut.....			
81	1	1		1136-0322-01	Vinkelfäste.....	Bracket.....			
82	2	2		9997-0512-16	Skruv.....	Screw.....			
83	2	2		9747-0531-02	Mutter.....	Nut.....			
84	1	1		1136-0925-01	Vinkelfäste.....	Angle bracket.....			
85	2	2		9847-8009-16	Skruv.....	Screw.....			
91	1	1		1136-0333-01	Stöd.....	Support.....			
92	2	2		9997-0614-16	Skruv.....	Screw.....			
93	2	2		9739-0631-22	Mutter.....	Nut.....			
94	2	2		9997-0614-16	Skruv.....	Screw.....			
95	2	2		9739-0631-22	Mutter.....	Nut.....			

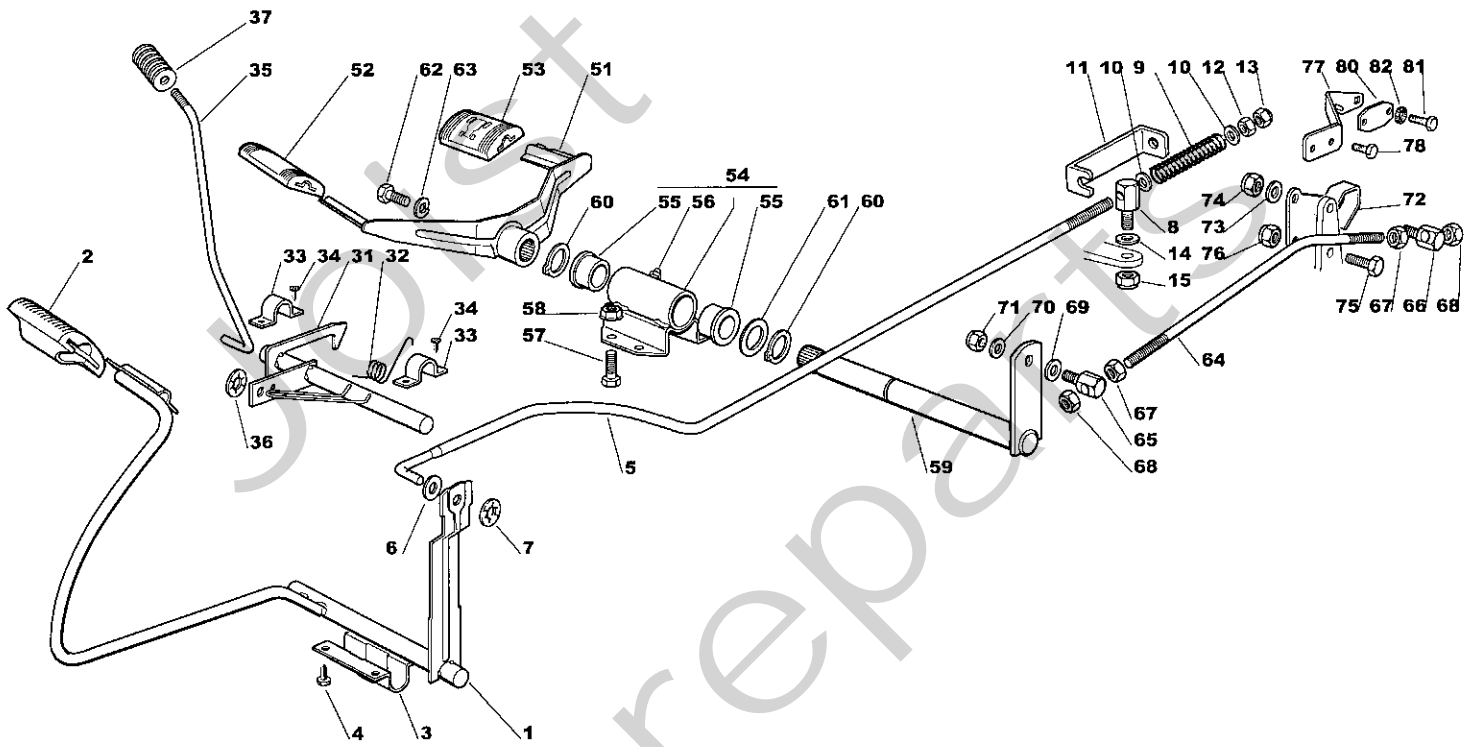
X



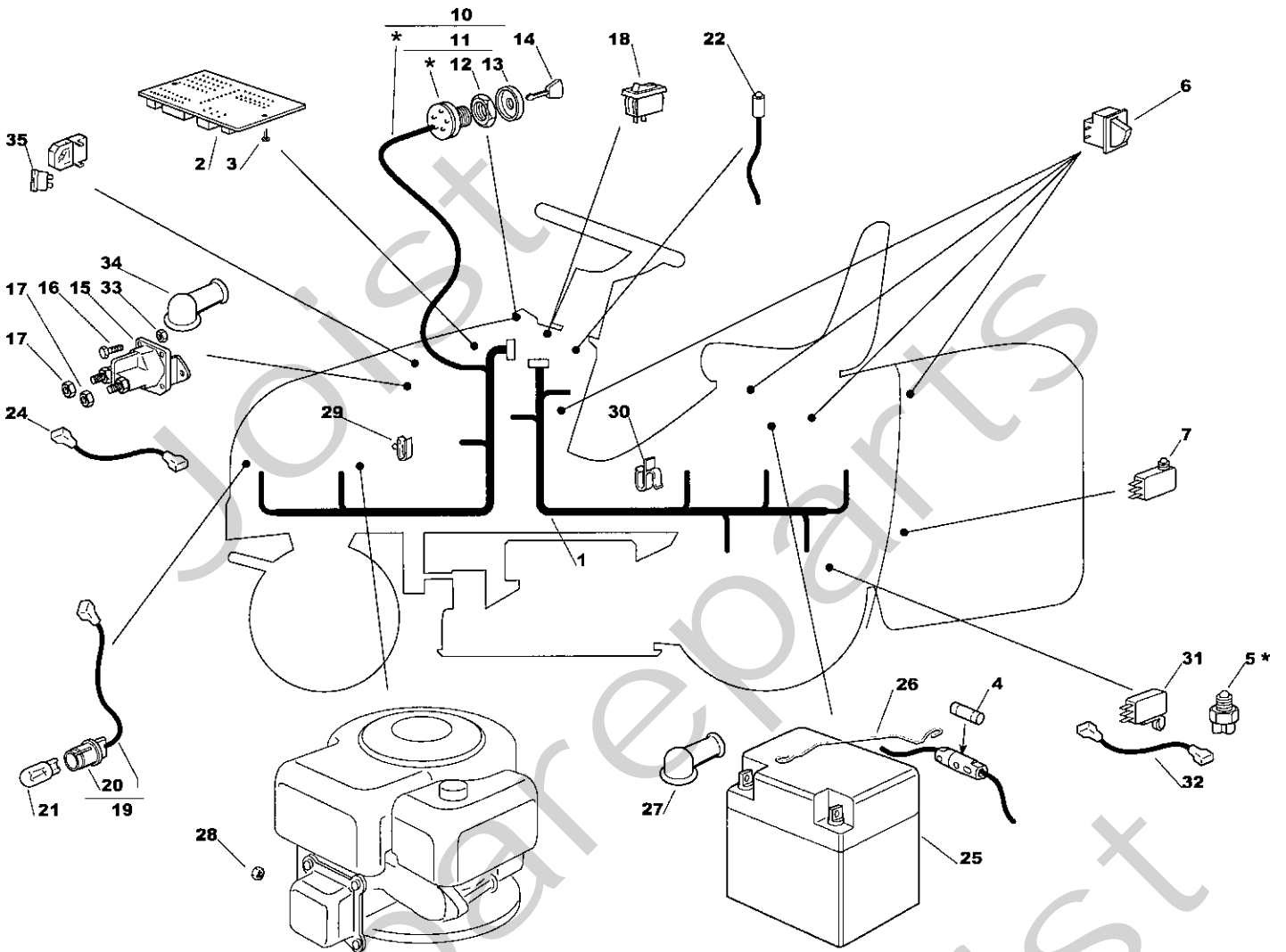
Utgåva Issue 2006-13		Bildnr Picture No 1213C		ESTATE SENATOR ESTATE PRESIDENT STYRNING		ESTATE SENATOR ESTATE PRESIDENT STEERING		Sida Page 100	
Pos. Fig.	Antal/Quantity			Art nr Part No	Benämning	Description	Sats Kit	Anmärkning Notes	
	2553	2556							
1	1	1		1136-0466-01	Framaxel kpl	Front wheel axle assy		Inkl. pos 2 - 3	
2	4	4		1136-0121-01	• Bussning	• Bushing			
3	2	2		9501-0500-00	• Smörjnippel	• Grease joint			
4	1	1		1136-0485-01	Hjulspindel- hö	Stub axle- RH			
5	1	1		9652-0015-04	Låsring	Retaining ring			
6	1	1		1136-0486-01	Hjulspindel- vä	Stub axle- LH			
7	1	1		1136-0349-01	Parallellstag	Tie rod			
8	2	2		1136-0092-01	Kulled	Ball joint			
9	2	2		9747-1031-02	Låsmutter	Lock nut			
11	1	1		1136-0188-01	Styrmutter	Steering arm			
12	1	1		9997-1055-12	Skruv	Screw			
13	1	1		9747-1031-02	Låsmutter	Lock nut			
14	1	1		1136-0165-01	Distans	Spacer			
15	1	1		9997-1260-02	Skruv	Screw			
16	2	2		1136-0016-01	Bricka	Washer			
17	1	1		9683-0055-02	Låsbricka	Lock washer			
18	1	1		9799-1231-02	Mutter	Nut			
31	1	1		1136-0335-01	Stöd	Support			
32	4	4		9997-0816-16	Skruv	Screw			
33	4	4		9747-0831-02	Mutter	Lock nut			
34	1	1		1136-1496-01	Fäste	Support			
35	4	4		9847-8216-16	Skruv	Screw			
36	1	1		1136-1469-01	Bussning	Bushing			
37	1	1		1136-1471-01	Rattstång	Steering column			
38	1	1		1136-0263-02	Styrdrev	Steering pinion			
39	1	1		9595-0262-00	Spännstift	Locating pin			
40	1	1		9699-0037-02	Bricka	Washer			
41	1	1		1136-0008-01	Låsplatta	Lock plate			
42	1	1		1136-0128-01	Bussning	Bushing			
43	1	1		1136-0246-01	Pinnbult	Stud bolt			
44	1	1		9799-1031-02	Mutter	Nut			
45	2	2		1136-0310-01	Bricka	Washer			
46	1	1		1136-0320-01	Styrsektor	Steering sector			
47	1	1		1136-0311-01	Bricka	Washer			
48	1	1		1136-0083-01	Fjäderbricka	Elastic washer			
49	1	1		9699-0035-02	Planbricka	Flat washer			
50	2	2		9799-1031-02	Mutter	Nut			
51	3	3		1136-0087-01	Bricka	Washer			
52	1	1		1136-0015-01	Bricka	Washer			
53	1	1		9599-0070-02	Saxsprint	Split pin			
54	1	1		9747-1031-02	Låsmutter	Lock nut			
55	1	1		1136-0111-01	Styrstag	Steering rod			
56	2	2		1136-0092-01	Kulled	Ball joint			
58	2	2		9747-1031-02	Låsmutter	Lock nut			
59		1		1136-0279-01	Brytarskydd	Micro protection			
60		2		9847-7813-16	Skruv	Screw			
61	2	2		9699-0035-02	Planbricka	Flat washer			
62	1	1		1136-1477-01	Stöd	Support			
63	2	2		9847-8116-16	Skruv	Screw			
64	1	1		1136-1473-01	Länk	Joint			
72	2	2		1136-0454-01	Fälg	Rim			
73	4	4		1136-0157-01	Lager	Bearing			
74	2	2		1136-2133-01	Däck (Kenda)	Tire (Kenda)			
75	2	2		1136-0305-01	Bricka	Washer			
76	2	2		9652-0015-04	Låsring	Retaining ring			
77	2	2		1136-0081-01	Navkapsel	Hub cap			
78	2	2		9545-0500-00	Ventil	Valve			



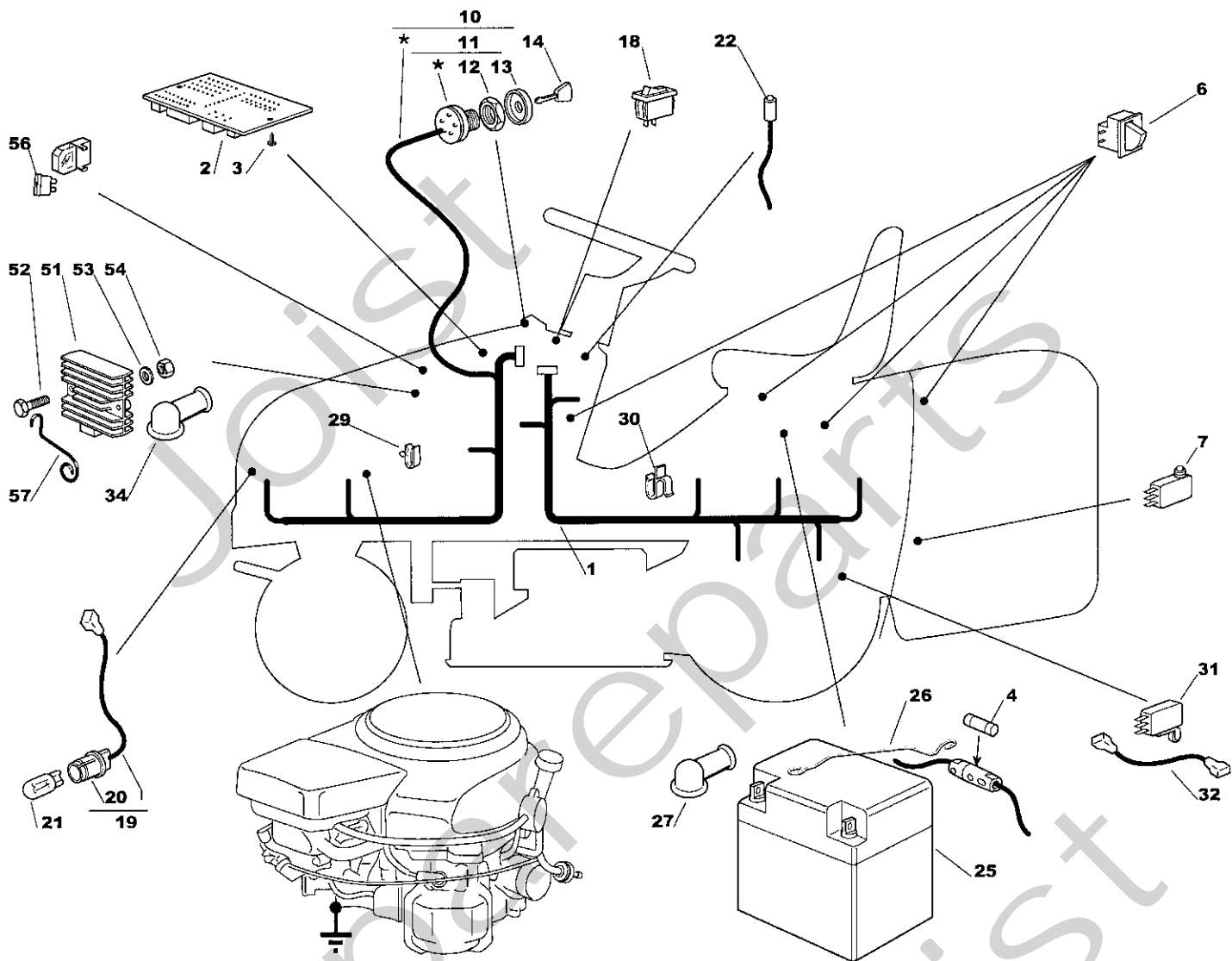
Utgåva Issue		Bildnr Picture No		ESTATE SENATOR BROMSREGLAGE VÄXELREGLAGE		ESTATE SENATOR BRAKE CONTROL GEAR SHIFTER CONTROL		Sida Page	
2006- 13		1214A						102	
Pos. Fig.	Antal/Quantity			Art nr Part No	Benämning	Description	Sats Kit	Anmärkning Notes	
	2553								
1	1			1136-0506-01	Bromspedal	Brake pedal			
2	1			1136-0152-01	Pedalskydd	Pedal cover			
3	1			1136-0254-01	Bygel	Clamp			
4	1			1136-0255-01	Bygel	Clamp			
5	6			9847-8016-16	Skruv	Screw			
6	1			1136-0116-01	Bromsstång	Brake rod			
7	1			1136-0244-01	Ledbult	Pivot bolt			
8	1			1136-0218-01	Fjäder	Spring			
9	2			9699-0035-02	Planbricka	Flat washer			
10	1			9799-1031-02	Mutter	Nut			
11	1			1136-0172-01	Distans	Spacer			
12	1			1136-0329-01	Bygel	Clamp			
13	1			9699-0060-02	Planbricka	Flat washer			
14	1			9747-0631-02	Låsmutter	Lock nut			
15	1			9699-0090-02	Planbricka	Flat washer			
16	1			1136-0009-01	Låsplatta	Lock plate			
17	1			1136-0441-01	Späraxel	Axle			
18	1			1136-0217-01	Fjäder	Spring			
19	2			1136-0256-01	Bygel	Plate			
20	4			9847-8016-16	Skruv	Screw			
21	1			1136-0119-01	P- bromsarm	P- brake lever			
22	1			9675-0011-00	Starlock	Starlock			
23	1			1136-0392-01	Knopp	Knob			
24	1			9747-1031-02	Låsmutter	Lock nut			
31	1			1136-0233-01	Pinnbult	Stud bolt			
32	1			9712-0831-02	Låsmutter	Lock nut			
33	1			1136-0088-01	Bricka	Washer			
34	1			1136-0529-01	Spakhållare	Gear lever bracket			
35	1			1136-0490-01	Växelspak	Gear lever			
36	1			1136-0212-01	Fjäder	Spring			
37	1			9997-0880-16	Skruv	Screw			
38	1			9747-0831-02	Mutter	Lock nut			
39	1			9699-0056-02	Planbricka	Flat washer			
40	1			9712-0831-02	Låsmutter	Lock nut			
41	1			1136-0197-01	Handtag	Knob			
42	1			1136-0107-01	Växeltag	Shifter rod			
43	1			1136-0093-01	Kulled	Ball joint			
44	1			9683-0030-02	Låsbricka	Lock washer			
45	1			9799-0831-02	Mutter	Nut			
46	1			1136-0187-01	Växelarm	Gearshift arm			
47	1			9997-0640-12	Skruv	Screw			
48	2			9699-0035-02	Planbricka	Flat washer			
49	1			9747-0631-02	Låsmutter	Lock nut			
50	1			9599-0070-02	Saxsprint	Split pin			



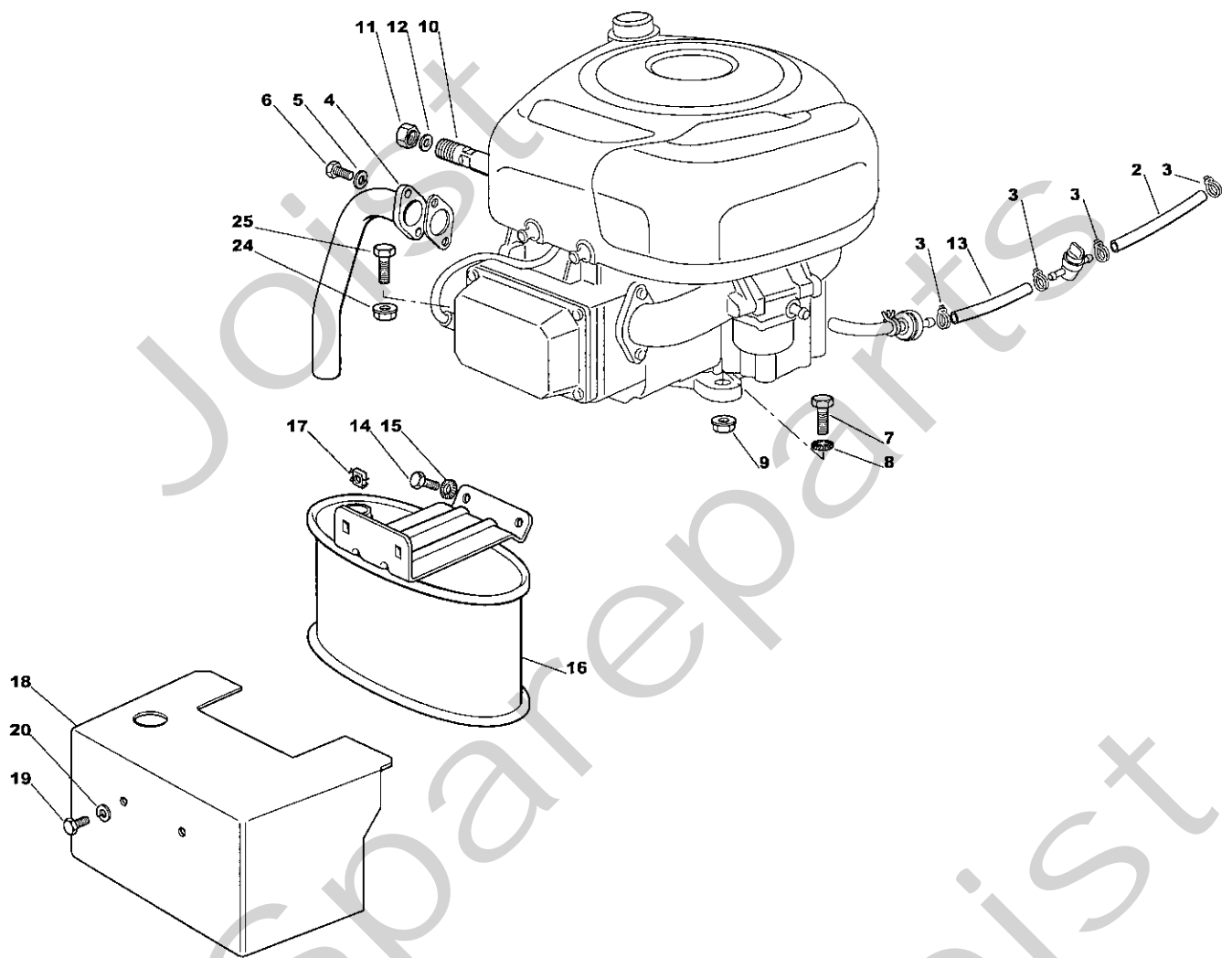
Utgåva Issue 2006-13		Bildnr Picture No 1215B		ESTATE PRESIDENT BROMSREGLAGE DRIVREGLAGE		ESTATE PRESIDENT BRAKE CONTROL DRIVE CONTROL		Sida Page 104	
Pos. Fig.	Antal/Quantity			Art nr Part No	Benämning	Description	Sats Kit	Anmärkning Notes	
	2556								
1	1			1136-0510-01	Pedal	Pedal			
2	1			1136-0151-01	Pedalskydd	Pedal cover			
3	1			1136-0254-01	Bygel	Clamp			
4	4			9847-8016-16	Skruv	Screw			
5	1			1136-0117-01	Bromsstång	Brake rod			
6	1			9699-0090-02	Planbricka	Flat washer			
7	1			9675-0012-02	Starlock	Locking washer			
8	1			1136-0248-01	Ledbult	Pivot bolt			
9	1			1136-0218-01	Fjäder	Spring			
10	2			9699-0035-02	Planbricka	Flat washer			
11	1			1136-0329-01	Bygel	Clamp			
12	1			9799-1031-02	Mutter	Nut			
13	1			9747-1031-02	Låsmutter	Lock nut			
14	1			9699-0090-02	Planbricka	Flat washer			
15	1			9747-0831-02	Mutter	Lock nut			
31	1			1136-0441-01	Spärraxel	Axle			
32	1			1136-0217-01	Fjäder	Spring			
33	2			1136-0256-01	Bygel	Plate			
34	4			9847-8016-16	Skruv	Screw			
35	1			1136-0119-01	P- bromsarm	P- brake lever			
36	1			9675-0011-00	Starlock	Starlock			
37	1			1136-0392-01	Knopp	Knob			
51	1			1136-0507-01	Drivpedal	Drive pedal			
52	1			1136-0149-01	Pedalskydd- fram	Pedal cover- front			
53	1			1136-0150-01	Pedalskydd- bak	Pedal cover- rear			
54	1			1136-1495-01	Fäste kpl	Support assy		Inkl. pos 55 - 56	
55	2			1136-0121-01	• Bussning	• Bushing			
56	1			9501-0500-00	• Smörjnippel	• Grease joint			
57	2			9997-0616-16	Skruv	Screw			
58	2			9739-0631-22	Mutter	Nut			
59	1			1136-0500-01	Pedalaxel	Pedal axle			
60	2			9650-0020-04	Spårring	Circlip			
61	1			1136-0090-01	Bricka	Washer			
62	1			9997-0816-16	Skruv	Screw			
63	1			9683-0030-02	Låsbricka	Lock washer			
64	1			1136-0118-01	Stag	Drive rod			
65	1			1136-0241-01	Ledbult	Pivot bolt			
66	1			1136-0247-01	Ledbult	Pivot bolt			
67	2			9799-0831-02	Mutter	Nut			
68	2			9747-0831-02	Mutter	Lock nut			
69	1			9699-0035-02	Planbricka	Flat washer			
70	1			9699-0060-02	Planbricka	Flat washer			
71	1			9747-0631-02	Låsmutter	Lock nut			
72	1			1136-0533-01	Fäste	Support			
73	1			9699-0060-02	Planbricka	Flat washer			
74	1			9747-0631-02	Låsmutter	Lock nut			
75	1			9997-0620-16	Skruv	Screw			
76	1			9747-0631-02	Låsmutter	Lock nut			
77	1			1136-0330-01	Bygel	Clamp			
78	2			9848-8013-16	Skruv	Screw			
80	1			1136-0407-01	Plåt	Plate			
81	2			1136-1214-01	Skruv	Screw			
82	2			1136-0610-01	Bricka	Washer			



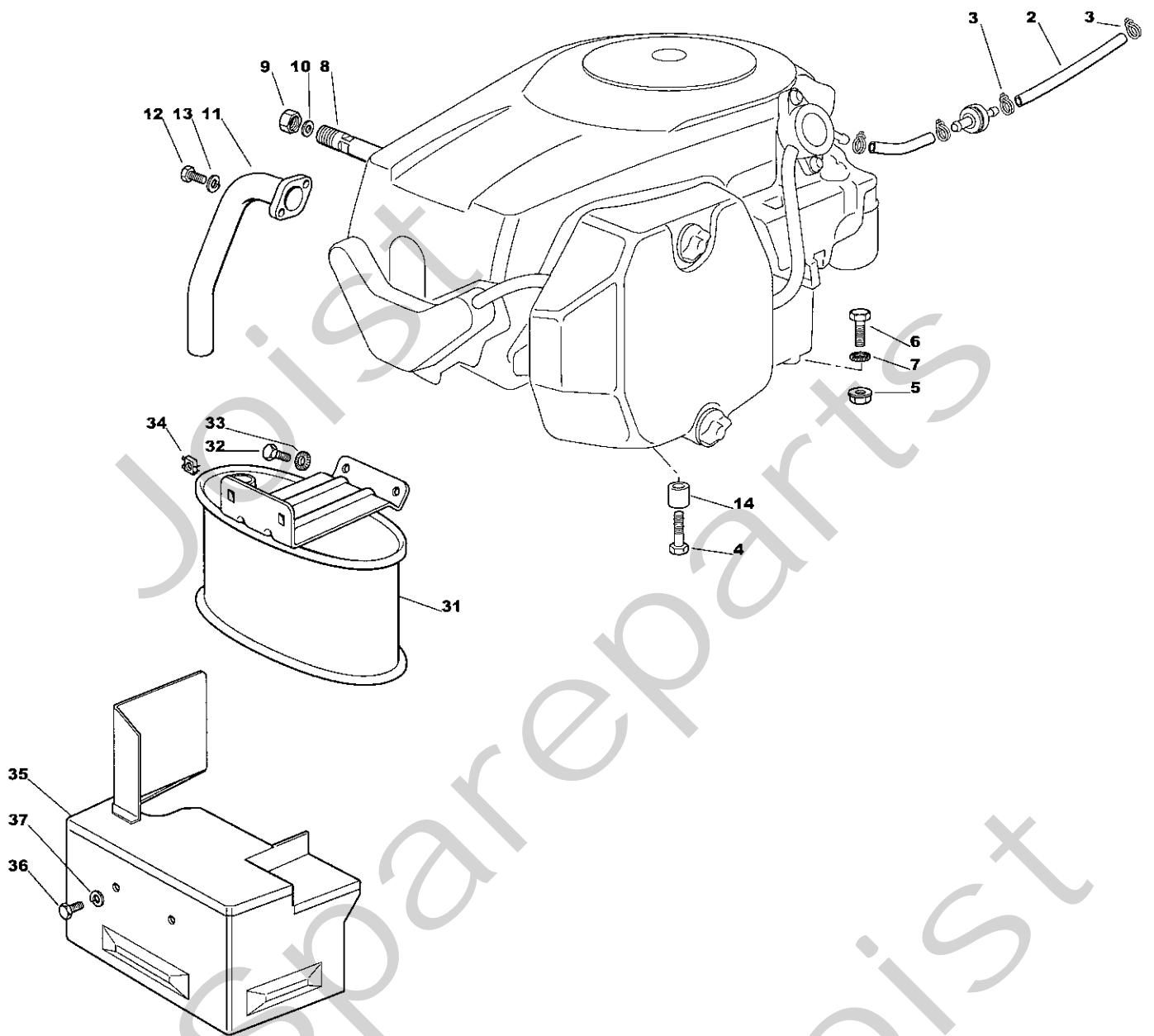
Utgåva Issue		Bildnr Picture No		ESTATE SENATOR ESTATE PRESIDENT ELUTRUSTNING (B&S, Kohler)		ESTATE SENATOR ESTATE PRESIDENT EL. EQUIPMENT (B&S, Kohler)		Sida Page	
2006-13		2078						106	
Pos. Fig.	Antal/Quantity			Art nr Part No	Benämning	Description	Sats Kit	Anmärkning Notes	
	2553	2556 -11							
X	1	1	1	1136-2171-01	Kabelhärva.....	Cable harness			
	2	1	1	1136-0314-01	Elektronikkort	Electronic card			
	3	2	2	9847-7813-16	Skruv	Screw			
	4	1	1	1136-0428-01	Säkring	Fuse		6.3 A	
	5	1	1	786194	Brytare.....	Neutral start switch		Växellåda/gearbox	
	6	4	4	1136-0073-01	Mikrobrytare.....	Micro switch			
	7	1	1	1136-0072-01	Mikrobrytare.....	Micro switch			
X	10	1	1	1136-2169-01	Kabelhärva.....	Cable harness		Full upps./grass bag	
	11	1	1	1136-0056-01	• Tändningslås	• Ignition switch		Inkl. pos 11	
	12	1	1	1136-0049-01	•• Mutter	•• Nut		Inkl. pos 12 - 13	
	13	1	1	1134-4097-01	•• Täckkåpa.....	•• Cap			
X	14	1	1	1136-2028-01	Tändningsnyckel.....	Ignition key			
	15	1	1	1136-0065-01	Startrelä	Solenoid			
	16	2	2	9997-0620-16	Skruv	Screw			
	17	2	2	9794-5131-02	Mutter	Nut			
	18	1	1	1136-0055-01	Brytare.....	Switch		Strålkastare/light	
	19	1	1	1136-0468-01	Kabel	Cable		Inkl. pos 20	
	20	2	2	1136-0429-01	• Lamphållare.....	• Lamp holder.....			
	21	2	2	1136-0058-01	Glödlampa	Bulb			
	22	1	1	1136-0135-01	Kabel	Cable			
	24	1	1	1136-0136-01	Kabel	Cable			
	25	1	1	1134-4804-01	Batteri	Battery			
	26	1	1	1136-0215-01	Fjäder.....	Spring			
	27	1	1	1136-0059-01	Polskydd.....	Protection			
	28	1	1	9795-3531-02	Mutter.....	Nut			
	29	4	4	1136-0427-01	Kabelhållare.....	Cable holder			
	30	1	1	1136-0426-01	Kabelhållare.....	Cable holder			
	31	1	1	1136-0076-01	Mikrobrytare.....	Micro switch			
	32	1	1	1136-0865-01	Kabel	Cable			
	33	2	2	9739-0631-22	Mutter.....	Nut			
	34	1	1	1136-0060-01	Polskydd.....	Protection			
X	35	1	1	1136-2161-01	Säkring.....	Fuse		25 A	



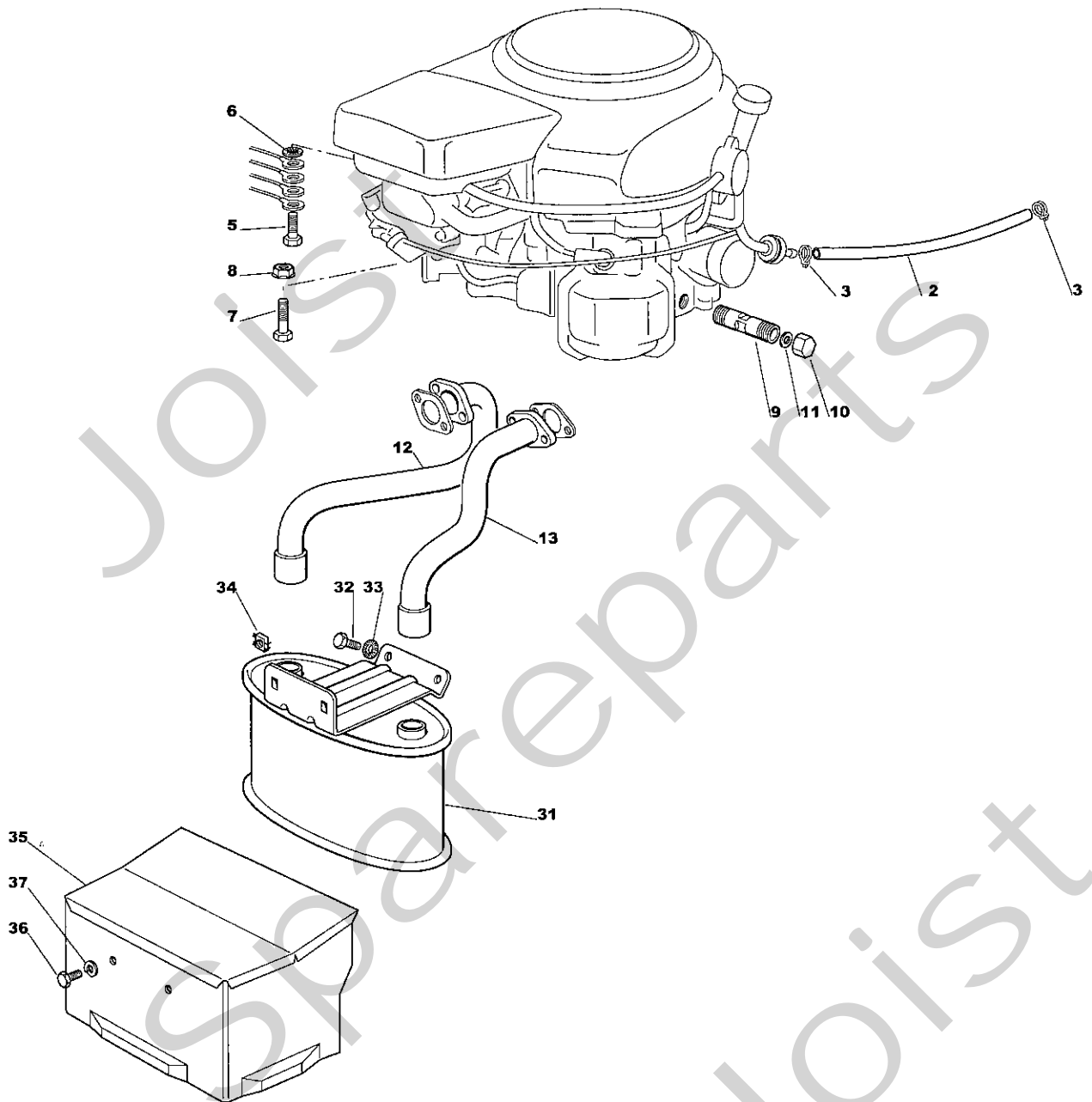
Utgåva Issue 2006-13		Bildnr Picture No 2079		ESTATE PRESIDENT ELUTRUSTNING (Honda)		ESTATE PRESIDENT EL. EQUIPMENT (Honda)		Sida Page 108	
Pos. Fig.	Antal/Quantity			Art nr Part No	Benämning	Description	Sats Kit	Anmärkning Notes	
	2556 -41								
X	1	1		1136-2168-01	Kabelhärva.....	Cable harness.....			
	2	1		1136-0314-01	Elektronikkort.....	Electronic card.....			
	3	2		9847-7813-16	Skruv.....	Screw.....			
	4	1		1136-0428-01	Säkring.....	Fuse.....		6.3 A	
	6	4		1136-0073-01	Mikrobrytare.....	Micro switch.....			
	7	1		1136-0072-01	Mikrobrytare.....	Micro switch.....		Full upps./grass bag	
X	10	1		1136-2167-01	Kabelhärva.....	Cable harness.....		Inkl. pos 11	
	11	1		1136-0056-01	• Tändningslås.....	• Ignition switch.....		Inkl. pos 12 - 13	
	12	1		1136-0049-01	•• Mutter.....	•• Nut.....			
	13	1		1134-4097-01	•• Täckkåpa.....	•• Cap.....			
X	14	1		1136-2028-01	Tändningsnyckel.....	Ignition key.....			
	18	1		1136-0055-01	Brytare.....	Switch.....		Strålkastare/light	
	19	1		1136-0468-01	Kabel.....	Cable.....		Inkl. pos 20	
	20	2		1136-0429-01	• Lamphållare.....	• Lamp holder.....			
	21	2		1136-0058-01	Glödlampa.....	Bulb.....			
	22	1		1136-0135-01	Kabel.....	Cable.....			
	25	1		1134-4804-01	Batteri.....	Battery.....			
	26	1		1136-0215-01	Fjäder.....	Spring.....			
	27	1		1136-0059-01	Polskydd.....	Protection.....			
	29	4		1136-0427-01	Kabelhållare.....	Cable holder.....			
	30	1		1136-0426-01	Kabelhållare.....	Cable holder.....			
	31	1		1136-0076-01	Mikrobrytare.....	Micro switch.....			
	32	1		1136-0865-01	Kabel.....	Cable.....			
	34	1		1136-0060-01	Polskydd.....	Protection.....			
	51	1		31750ZOA821	Likriktare.....	Rectifier, regulator.....		Honda-part	
	52	2		9948-0630-16	Skruv.....	Screw.....			
	53	2		1136-1771-01	Bricka.....	Washer.....			
	54	2		9747-0631-02	Låsmutter.....	Lock nut.....			
X	56	1		1136-2161-01	Säkring.....	Fuse.....		25 A	
	57	1		1136-1484-01	Fjäder.....	Spring.....			
	58	1		9847-7713-16	Skruv.....	Screw.....			



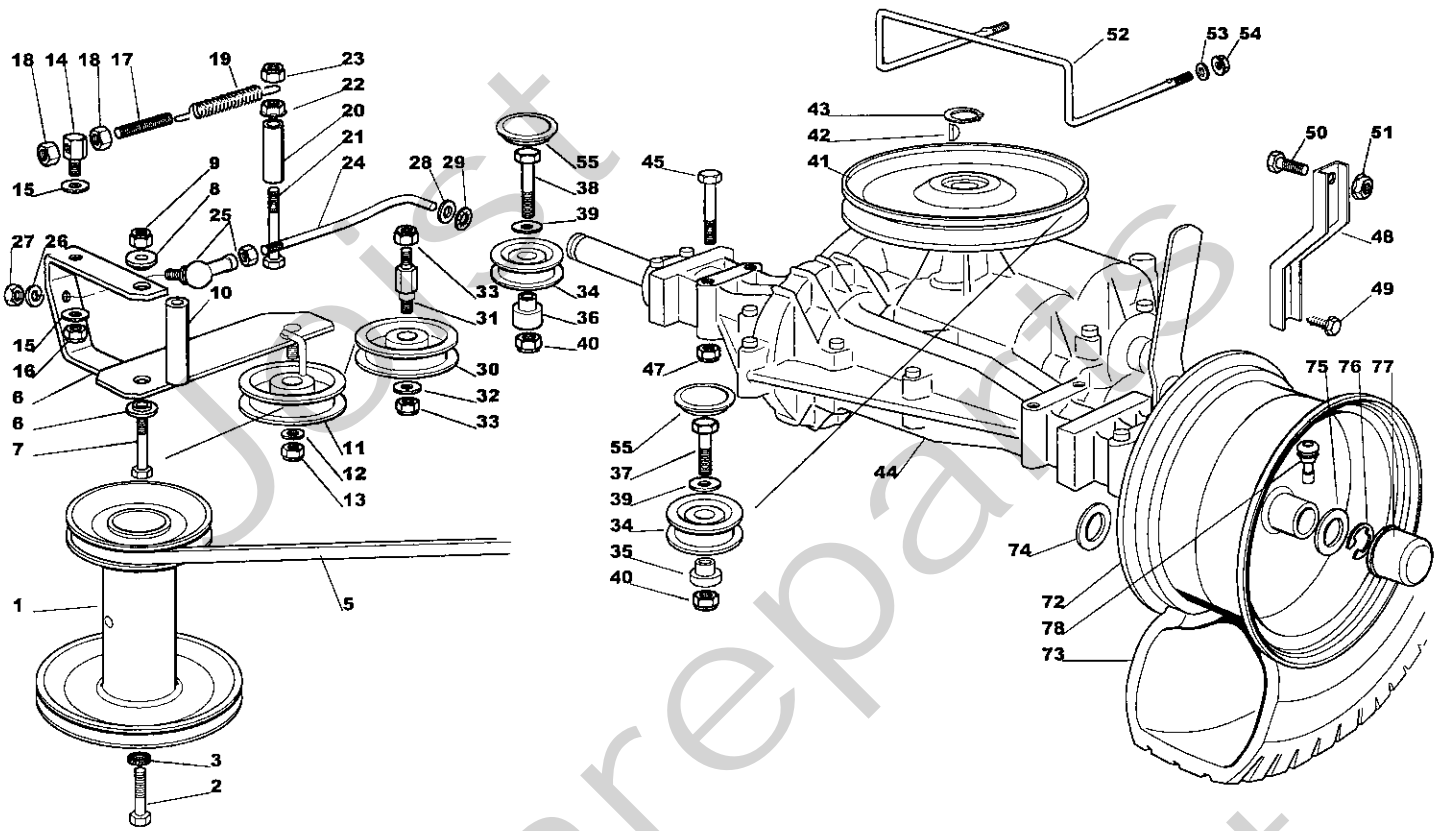
Utgåva Issue 2006- 13		Bildnr Picture No 1701A		ESTATE SENATOR MOTOR (B&S 21A907)		ESTATE SENATOR ENGINE (B&S 21A907)		Sida Page 110	
Pos. Fig.	Antal/Quantity			Art nr Part No	Benämning	Description	Sats Kit	Anmärkning Notes	
	2553								
2	1			1136-1790-01	Bränsleslang	Fuel hose			
3	4			1136-0045-01	Slangklämma	Hose clamp			
4	1			1136-1467-01	Avgasrör	Exhaust tube			
5	2			9683-0030-02	Låsbricka	Lock washer			
6	2			9988-3619-16	Skruv	Screw			
7	1			9997-0840-16	Skruv	Screw		L = 40 mm	
8	1			9677-0009-02	Låsbricka	Lock washer			
9	1			9739-0831-22	Mutter	Nut			
10	1			1136-0273-01	Oljeavtappningsrör	Oil drain tube			
11	1			1136-0066-01	Oljeavtappningsplugg	Oil drain plug			
12	1			1136-0054-01	Tätningring	Oil seal			
13	1			1136-0353-01	Bränsleslang	Fuel hose			
14	2			9997-0820-16	Skruv	Screw			
15	2			9677-0009-02	Låsbricka	Lock washer			
16	1			1136-1054-01	Ljuddämpare	Muffler			
17	2			1136-0004-01	Fyrkantmutter	Square nut			
18	1			1136-1048-01	Skydd	Guard			
19	2			9997-0816-16	Skruv	Screw			
20	2			9683-0030-02	Låsbricka	Lock washer			
24	3			9739-0831-22	Muffer	Nut			
25	3			9997-0835-12	Skruv	Screw		L = 35 mm	



Utgåva Issue 2006-13		Bildnr Picture No 1863A		ESTATE PRESIDENT MOTOR (Kohler)		ESTATE PRESIDENT ENGINE (Kohler)		Sida Page 112	
Pos. Fig.	Antal/Quantity			Art nr Part No	Benämning	Description	Sats Kit	Anmärkning Notes	
	2556 -11								
X	2	1		1136-0354-01	Bränsleslang.....	Fuel hose.....			
	3	2		1136-0045-01	Slangklämma.....	Hose clamp.....			
	4	3		1136-2051-01	Skruv.....	Screw.....			
	5	1		9739-0831-22	Mutter.....	Nut.....			
	6	1		9997-0840-16	Skruv.....	Screw.....			
	7	1		9677-0009-02	Låsbricka.....	Lock washer.....			
	8	1		1136-0413-01	Oljeavtappningsrör.....	Oil drain pipe.....			
	9	1		1136-0066-01	Oljeavtappningsplugg.....	Oil drain plug.....			
	10	1		1136-0054-01	Tätningring.....	Oil seal.....			
	11	1		1136-1780-01	Avgasrör.....	Exhaust tube.....			
	12	2		9988-3619-16	Skruv.....	Screw.....			
	13	2		9683-0030-02	Låsbricka.....	Lock washer.....			
X	14	3		1136-2097-01	Distans.....	Spacer.....			
	31	1		1136-1054-01	Ljuddämpare.....	Muffler.....			
	32	2		9997-0820-16	Skruv.....	Screw.....			
	33	2		9677-0009-02	Låsbricka.....	Lock washer.....			
	34	2		1136-0004-01	Fyrkantmutter.....	Square nut.....			
	35	1		1136-1812-01	Skydd.....	Guard.....			
	36	2		9997-0816-16	Skruv.....	Screw.....			
	37	2		9683-0030-02	Låsbricka.....	Lock washer.....			



Utgåva Issue		Bildnr Picture No		ESTATE PRESIDENT MOTOR (Honda)		ESTATE PRESIDENT ENGINE (Honda)		Sida Page	
2006- 13		1864						114	
Pos. Fig.	Antal/Quantity			Art nr Part No	Benämning	Description	Sats Kit	Anmärkning Notes	
	2556 -41								
2	1			1136- 1791- 01	Bränsleslang.....	Fuel hose.....			
3	2			1136- 0045- 01	Slangklämma.....	Hose clamp.....			
5	1			1136- 1397- 01	Skruv.....	Screw.....			
6	1			9677- 0009- 02	Låsbricka.....	Lock washer.....			
7	4			9997- 0840- 16	Skruv.....	Screw.....			
8	4			9739- 0831- 22	Mutter.....	Nut.....			
9	1			1136- 1788- 01	Oljeavtappningsrör.....	Oil drain pipe.....			
10	1			1136- 0066- 01	Oljeavtappningsplugg.....	Oil drain plug.....			
11	1			1136- 0054- 01	Tätningring.....	Oil seal.....			
12	1			1136- 1778- 01	Avgasrör- hö.....	Exhaust tube- RH.....			
13	1			1136- 1779- 01	Avgasrör- vä.....	Exhaust tube- LH.....			
31	1			1136- 1053- 01	Ljuddämpare.....	Muffler.....			
32	2			9997- 0820- 16	Skruv.....	Screw.....			
33	2			9677- 0009- 02	Låsbricka.....	Lock washer.....			
34	2			1136- 0004- 01	Fyrkantmutter.....	Square nut.....			
35	1			1136- 1047- 01	Skydd.....	Guard.....			
36	2			9997- 0816- 16	Skruv.....	Screw.....			
37	2			9683- 0030- 02	Låsbricka.....	Lock washer.....			

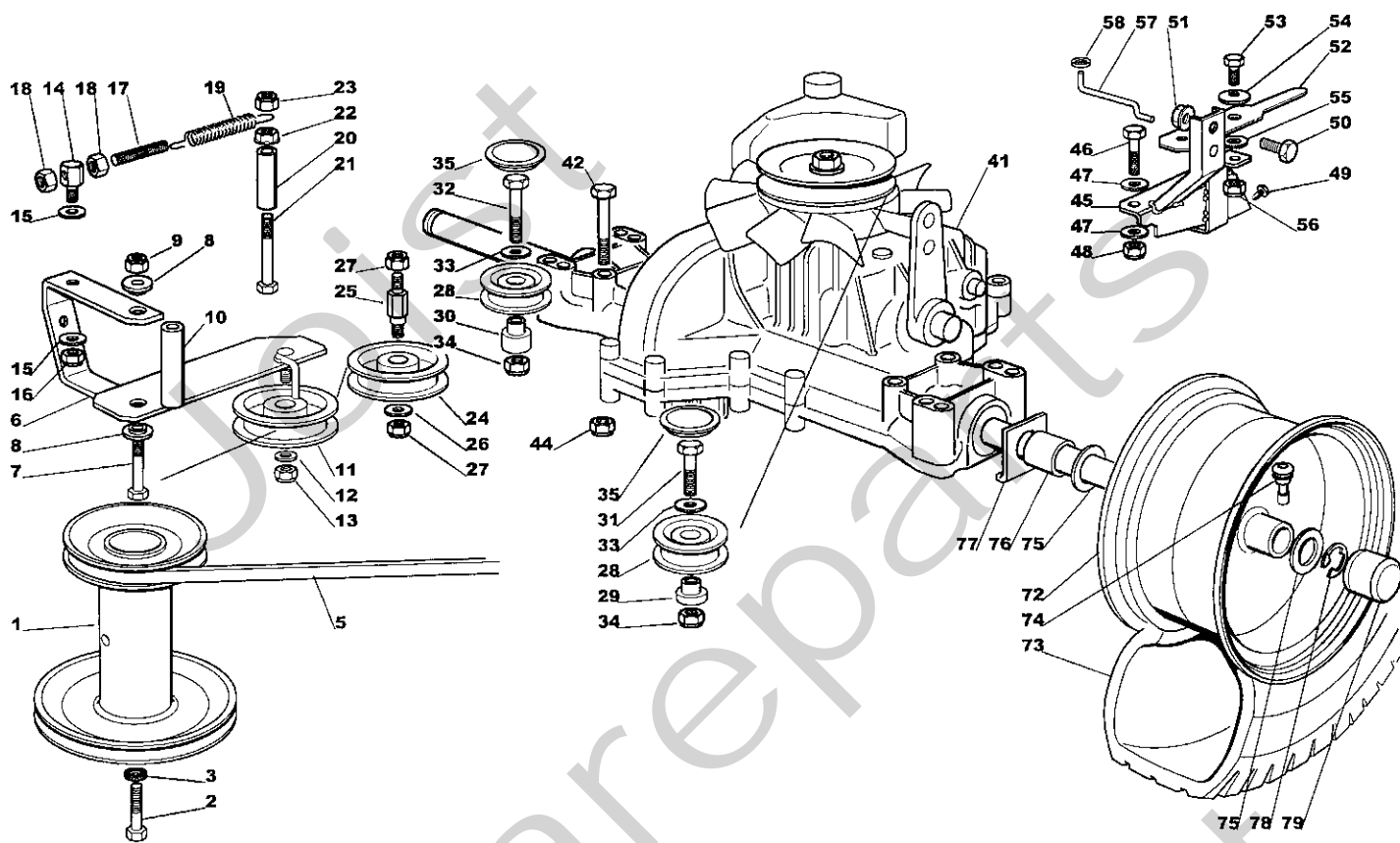


Spareparts
Joist

Utgåva Issue		Bildnr Picture No		ESTATE SENATOR TRANSMISSION		ESTATE SENATOR TRANSMISSION		Sida Page	
2006- 13		1217						116	
Pos. Fig.	Antal/Quantity			Art nr Part No	Benämning	Description	Sats Kit	Anmärkning Notes	
	2553								
1	1			1136-0286-01	Motorremskiva	Engine belt pulley			
2	1			9987-5351-12	Skruv	Screw			
3	1			9683-0045-02	Bricka	Washer			
5	1			1136-0433-01	Kilrem	V-belt			
6	1			1136-0489-01	Spännarm	Tension arm			
7	1			9997-0630-12	Skruv	Screw			
8	2			1136-0123-01	Bussning	Bushing			
9	1			9747-0831-02	Mutter	Lock nut			
10	1			1136-0166-01	Distans	Spacer			
11	1			1136-0289-01	Spännrulle	Idler pulley			
12	1			9699-0056-02	Planbricka	Flat washer			
13	1			9747-0831-02	Mutter	Lock nut			
14	1			1136-0235-01	Ledbult	Pivot bolt			
15	2			1136-0309-01	Bricka	Washer			
16	1			9747-0831-02	Mutter	Lock nut			
17	1			1136-0348-01	Spännstång	Tie rod			
18	2			9799-0831-02	Mutter	Nut			
19	1			1136-0208-01	Fjäder	Spring			
20	1			1136-0162-01	Distans	Spacer			
21	1			9997-0880-16	Skruv	Screw			
22	1			9739-0831-22	Mutter	Nut			
23	1			9747-0831-02	Mutter	Lock nut			
24	1			1136-0346-01	Spännstång	Tie rod			
25	1			1136-0093-01	Kulled	Ball joint			
26	1			9683-0030-02	Låsbricka	Lock washer			
27	1			9799-0831-02	Mutter	Nut			
28	1			9699-0090-02	Planbricka	Flat washer			
29	1			9675-0012-02	Starlock	Locking washer			
30	1			1136-0290-01	Remrulle	Belt roller			
31	1			1136-0234-01	Pinnbult	Stud bolt			
32	1			9699-0056-02	Planbricka	Flat washer			
33	2			9747-0831-02	Mutter	Lock nut			
34	2			1136-0915-01	Remrulle	Belt roller			
35	1			1136-0167-01	Distans-vä	Spacer-LH			
36	1			1136-0164-01	Distans-hö	Spacer-RH			
37	1			9997-0835-12	Skruv	Screw			
38	1			9997-0845-12	Skruv	Screw			
39	2			9699-0056-02	Planbricka	Flat washer			
40	2			9747-0831-02	Mutter	Lock nut			
41	1			1136-0520-01	Remskiva	Belt pulley			
42	1			9600-0050-00	Woodruffkil	Key			
43	1			9650-0016-04	Spårring	Lock ring			
44	1			1136-0050-01	Transaxel	Transaxle			
45	4			9997-0860-16	Skruv	Screw			
47	4			9739-0831-22	Mutter	Nut			
48	2			1136-0325-01	Momentstag	Stay			
49	2			1136-0017-01	Skruv	Screw			
50	2			9997-0816-16	Skruv	Screw			
51	2			9739-0831-22	Mutter	Nut			
52	1			1136-0181-01	Remstyrning	Belt guide			
53	2			9699-0035-02	Planbricka	Flat washer			
54	2			9739-0631-22	Mutter	Nut			
55	2			1136-0868-01	Lock	Cover			
72	2			1136-0455-01	Fälg	Rim			
73	2			1136-2132-01	Däck (Kenda)	Tire (Kenda)			
74	2-4			9699-0119-02	Bricka	Washer			
75	2			1136-0305-01	Bricka	Washer			
76	2			9652-0015-04	Låsring	Retaining ring			
77	2			1136-0081-01	Navkapsel	Hub cap			
78	2			9545-0500-00	Ventil	Valve			

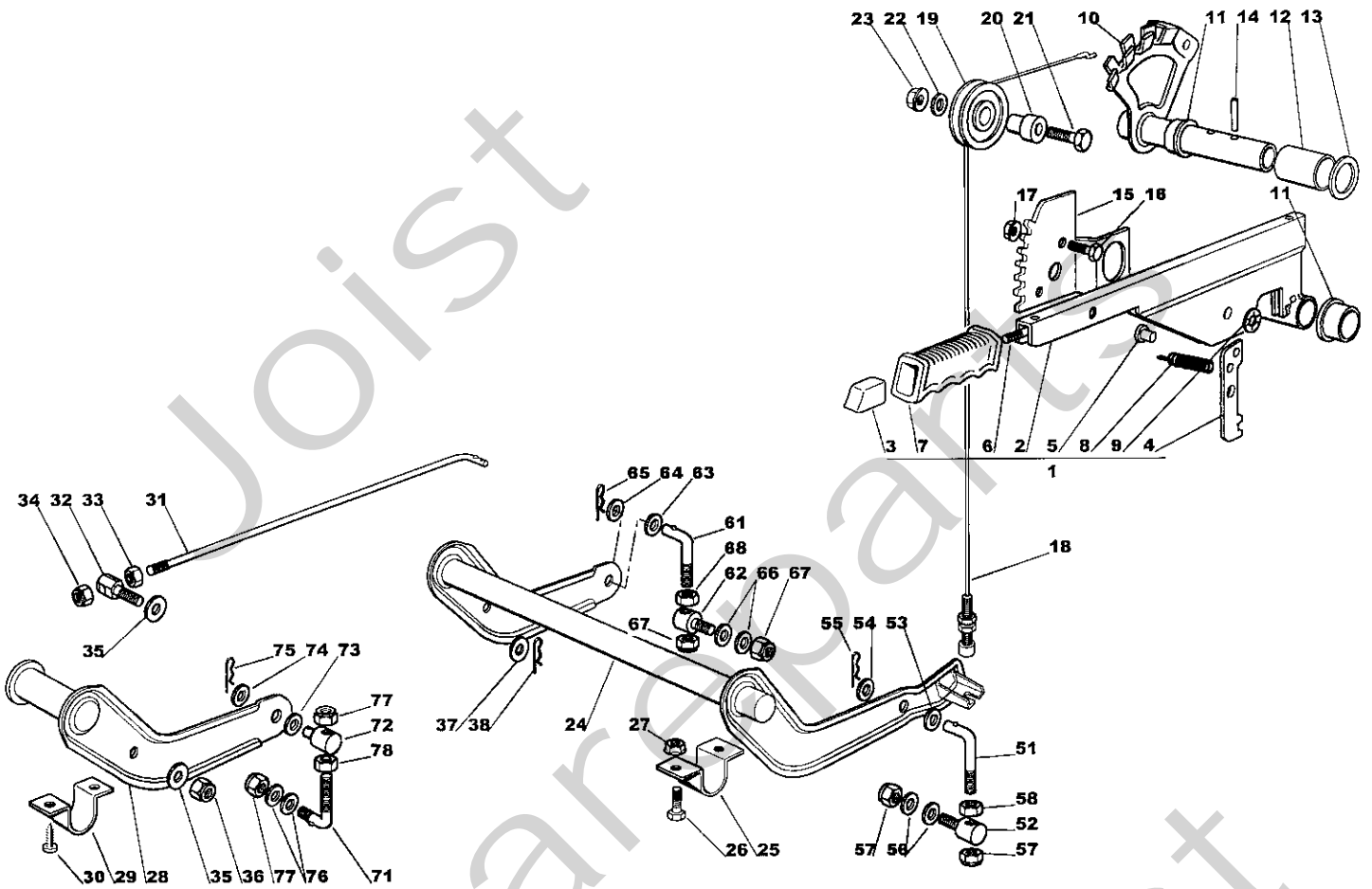
Peerless MST 205-535

X

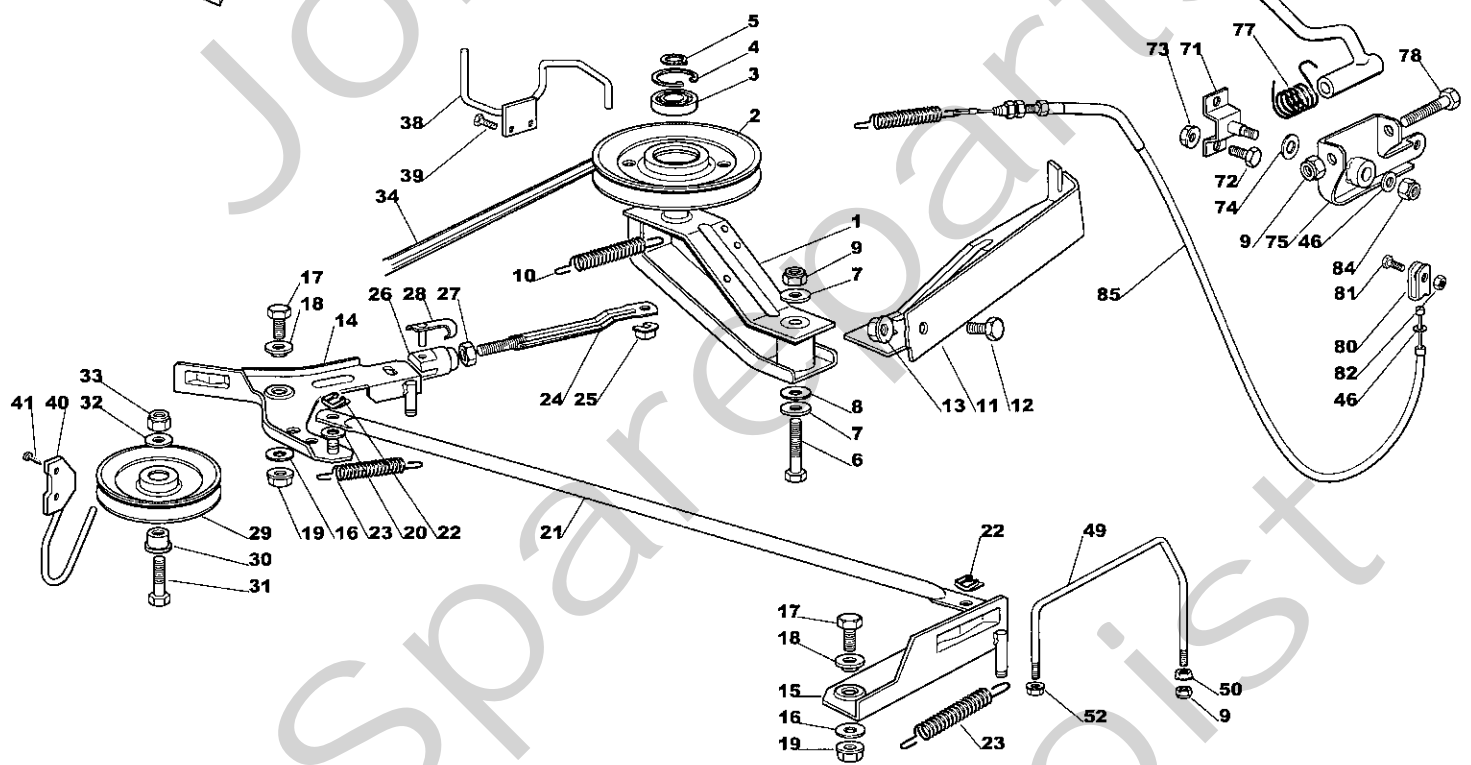
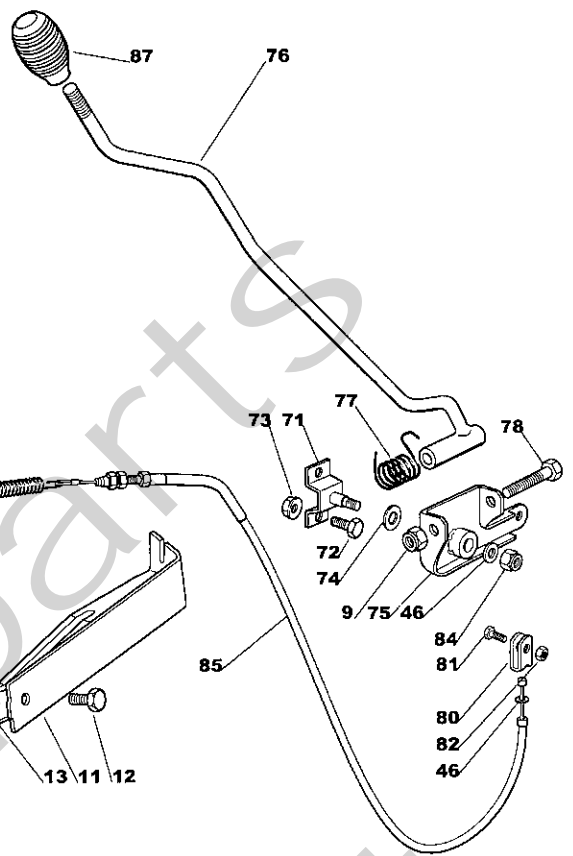
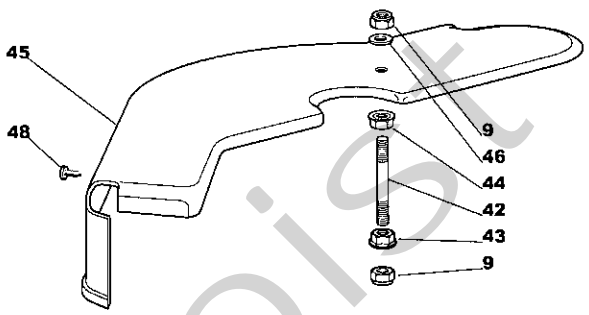
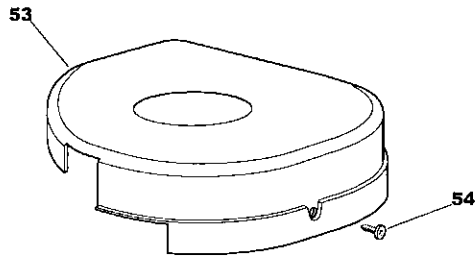


Utgåva Issue		Bildnr Picture No		ESTATE PRESIDENT TRANSMISSION		ESTATE PRESIDENT TRANSMISSION		Sida Page	
2006-13		1218						118	
Pos. Fig.	Antal/Quantity			Art nr Part No	Benämning	Description	Sats Kit	Anmärkning Notes	
	2556								
1	1			1136-0287-01	Motorremskiva	Engine belt pulley			
2	1			9987-5351-12	Skruv	Screw			
3	1			9683-0045-02	Bricka	Washer			
5	1			1136-0432-01	Kilrem	V-belt			
6	1			1136-0489-01	Spännarm	Tension arm			
7	1			9997-0630-12	Skruv	Screw			
8	2			1136-0123-01	Bussning	Bushing			
9	1			9747-0831-02	Mutter	Lock nut			
10	1			1136-0166-01	Distans	Spacer			
11	1			1136-0289-01	Spännrulle	Idler pulley			
12	1			9699-0056-02	Planbricka	Flat washer			
13	1			9747-0831-02	Mutter	Lock nut			
14	1			1136-0235-01	Ledbult	Pivot bolt			
15	2			1136-0309-01	Bricka	Washer			
16	1			9747-0831-02	Mutter	Lock nut			
17	1			1136-0348-01	Spännstång	Tie rod			
18	2			9799-0831-02	Mutter	Nut			
19	1			1136-0208-01	Fjäder	Spring			
20	1			1136-0162-01	Distans	Spacer			
21	1			9997-0880-16	Skruv	Screw			
22	1			9739-0831-22	Mutter	Nut			
23	1			9747-0831-02	Mutter	Lock nut			
24	1			1136-0290-01	Remrulle	Belt roller			
25	1			1136-0234-01	Pinnbult	Stud bolt			
26	1			9699-0056-02	Planbricka	Flat washer			
27	2			9747-0831-02	Mutter	Lock nut			
28	2			1136-0915-01	Remrulle	Belt roller			
29	1			1136-0174-01	Distans-vä	Spacer-LH			
30	1			1136-0170-01	Distans-hö	Spacer-RH			
31	1			9997-0840-16	Skruv	Screw			
32	1			9997-0850-16	Skruv	Screw			
33	2			9699-0056-02	Planbricka	Flat washer			
34	2			9747-0831-02	Mutter	Lock nut			
35	2			1136-0868-01	Lock	Cover			
41	1			1136-0053-01	Transaxel	Transaxle		Kanzaki K46S	
42	4			9997-0860-16	Skruv	Screw			
44	4			9739-0831-22	Mutter	Nut			
45	1			1136-0543-01	Stöd	Support			
46	1			9997-0845-12	Skruv	Screw			
47	2			9699-0090-02	Planbricka	Flat washer			
48	1			9747-0831-02	Mutter	Lock nut			
49	2			9847-8216-16	Skruv	Screw			
50	1			9997-0816-16	Skruv	Screw			
51	1			9739-0831-22	Mutter	Nut			
52	1			1136-0190-01	Arm	Lever			
53	1			9997-0820-16	Skruv	Screw			
54	1			1136-0006-01	Fjäderbricka	Elastic washer			
55	1			1136-0309-01	Bricka	Washer			
56	1			9747-0831-02	Mutter	Lock nut			
57	1			1136-0114-01	Stag	Rod			
58	1			9675-0009-02	Starlock	Starlock			
72	2			1136-0455-01	Fälg	Rim			
73	2			1136-2132-01	Däck (Kenda)	Tire (Kenda)			
74	2			9545-0500-00	Ventil	Valve			
75	2-4			9699-0119-02	Bricka	Washer			
76	2			1136-0175-01	Distans	Spacer			
77	2			1136-0312-01	Bricka	Washer			
78	2			9652-0015-04	Låsring	Retaining ring			
79	2			1136-0081-01	Navkapsel	Hub cap			

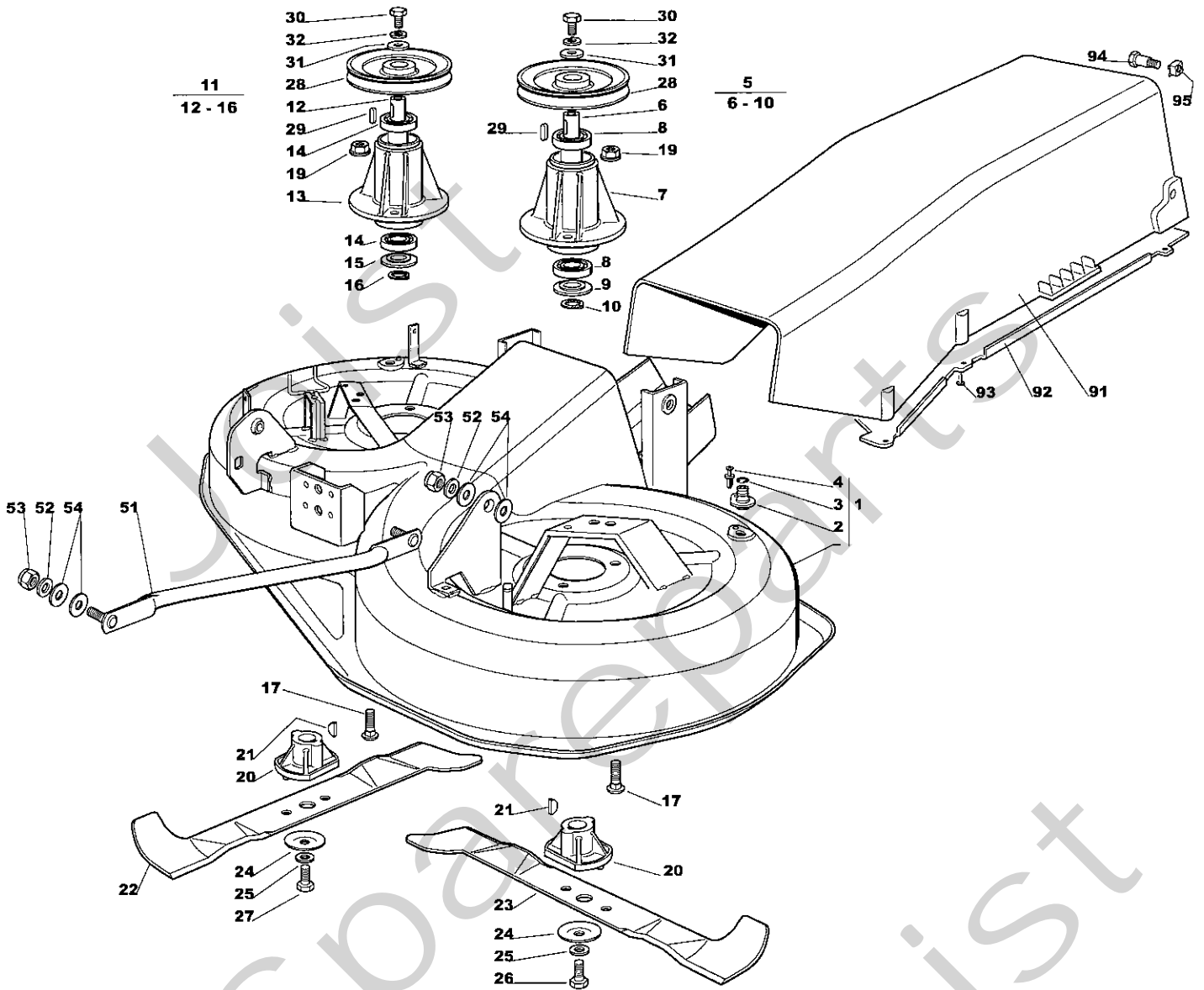
X



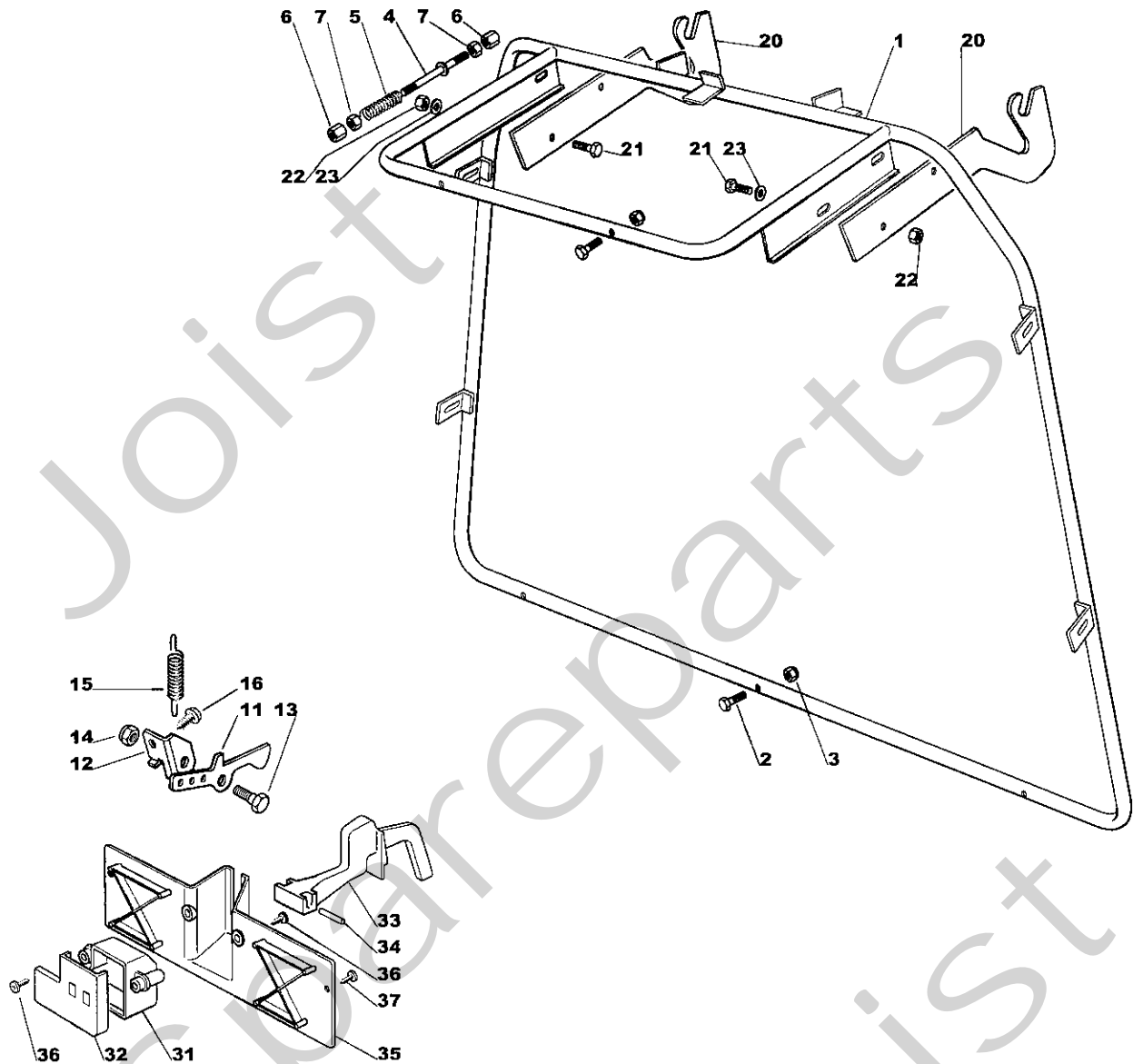
Utgåva Issue		Bildnr Picture No		ESTATE SENATOR ESTATE PRESIDENT AGGREGATSLYFT		ESTATE SENATOR ESTATE PRESIDENT MOWER DECK LIFT		Sida Page	
2006-13		1219A						120	
Pos. Fig.	Antal/Quantity			Art nr Part No	Benämning	Description	Sats Kit	Anmärkning Notes	
	2553								
	2556								
1	1			1136-0487-01	Lyftspak kpl	Lift lever assy.....		Inkl. pos 2 - 9	
2	1			1136-0493-01	• Lyftspak	• Lift lever			
3	1			1136-0298-01	• Tryckknapp	• Button			
4	1			1136-0222-01	• Spärrhake	• Dog			
5	1			1136-0227-01	• Sprint	• Pin			
6	1			1136-0105-01	• Tryckstång	• Push rod			
7	1			1136-0193-01	• Handtag	• Handle			
8	1			1136-0203-01	• Fjäder	• Spring			
9	1			9675-0012-02	• Starlock	• Locking washer			
10	1			1136-0444-01	Lyftaxel	Axle			
11	2			1136-0078-01	Bussning	Bushing			
12	1			1136-0163-01	Distans	Spacer			
13	1			9699-0119-02	Bricka	Washer			
14	2			9595-0235-00	Spännstift	Locating pin			
15	1			1136-0319-01	Höjdställn.segment	Height adjust sector			
16	2			9997-0816-16	Skruv	Screw			
17	2			9739-0831-22	Mutter	Nut			
18	1			1136-0460-01	Lyftwire	Lift wire			
19	1			1136-0291-01	Wirerulle	Cable pulley			
20	1			1136-0232-01	Distans	Spacer			
21	1			9997-0850-16	Skruv	Screw			
22	1			9699-0056-02	Planbricka	Flat washer			
23	1			9739-0831-22	Mutter	Nut			
24	1			1136-0443-01	Lyftaxel	Lift axle			
25	2			1136-0253-01	Bygel	Clamp			
26	4			9997-0616-16	Skruv	Screw			
27	4			9739-0631-22	Mutter	Nut			
28	1			1136-0492-01	Lyftarm	Lift arm			
29	2			1136-0255-01	Bygel	Clamp			
30	4			9847-8016-16	Skruv	Screw			
31	1			1136-0108-01	Lyftstag	Lift rod			
32	1			1136-0235-01	Ledbult	Pivot bolt			
33	1			9799-0831-02	Mutter	Nut			
34	1			9747-0831-02	Mutter	Lock nut			
35	2			1136-0309-01	Bricka	Washer			
36	1			9747-0831-02	Mutter	Lock nut			
37	1			9699-0090-02	Planbricka	Flat washer			
38	1			1136-0095-01	Låsnål	Hair pin			
51	1			1136-0347-01	Lyftlänk	Lift tie rod			
52	1			1136-0231-01	Ledbult	Pivot bolt			
53	1			9699-0035-02	Planbricka	Flat washer			
54	1			1136-0308-01	Bricka	Washer			
55	1			1136-0095-01	Låsnål	Hair pin			
56	2			1136-0308-01	Bricka	Washer			
57	2			9747-1031-02	Låsmutter	Lock nut			
58	1			9799-1031-02	Mutter	Nut			
61	1			1136-0347-01	Lyftlänk	Lift tie rod			
62	1			1136-0231-01	Ledbult	Pivot bolt			
63	1			9699-0035-02	Planbricka	Flat washer			
64	1			1136-0308-01	Bricka	Washer			
65	1			1136-0095-01	Låsnål	Hair pin			
66	2			1136-0308-01	Bricka	Washer			
67	2			9747-1031-02	Låsmutter	Lock nut			
68	1			9799-1031-02	Mutter	Nut			
71	1			1136-1249-01	Lyftlänk	Lift tie rod			
72	1			1136-1241-01	Ledbult	Pivot bolt			
73	1			1136-0308-01	Bricka	Washer			
74	1			9699-0035-02	Planbricka	Flat washer			
75	1			1136-0095-01	Låsnål	Hair pin			
76	2			1136-0308-01	Bricka	Washer			
77	2			9747-1031-02	Låsmutter	Lock nut			
78	1			9799-1031-02	Mutter	Nut			



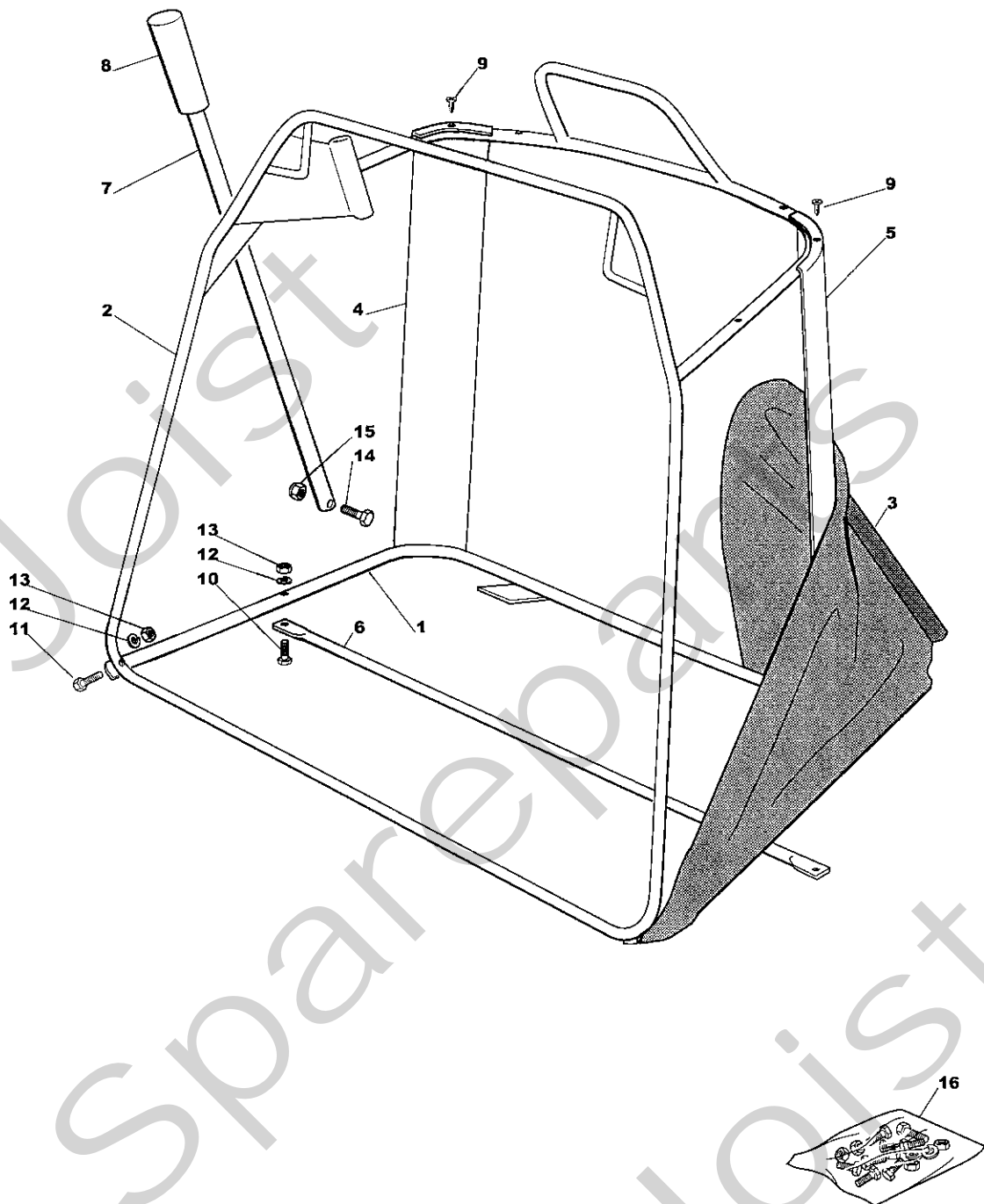
Utgåva Issue	Bildnr Picture No	ESTATE SENATOR ESTATE PRESIDENT AGGREGATSINKOPPLING	ESTATE SENATOR ESTATE PRESIDENT MOWER DECK ENGAGEMENT	Sida Page				
2006-13	1220D			122				
Pos. Fig.	Antal/Quantity			Art nr Part No	Benämning	Description	Sats Kit	Anmärkning Notes
	2553	2556						
1	1			1136-0494-01	Spännarm.....	Tension arm.....		
2	1			1136-0296-01	Spännrulle.....	Idler pulley.....		
3	1			1136-0070-01	Kullager.....	Ball bearing.....		
4	1			9651-0035-04	Låsring.....	Lock ring.....		
5	1			9650-0015-04	Låsring.....	Lock ring.....		
6	1			9997-0890-12	Skruv.....	Screw.....		
7	2			1136-0014-01	Bricka.....	Washer.....		
8	1			1136-0089-01	Bricka.....	Washer.....		
9	5			9747-0831-02	Mutter.....	Lock nut.....		
10	1			1136-0085-01	Fjäder.....	Spring.....		
11	1			1136-0531-01	Wirehållare.....	Wire holder.....		
12	1			9997-0816-16	Skruv.....	Screw.....		
13	1			9739-0831-22	Mutter.....	Nut.....		
14	1			1136-0495-01	Arm-hö.....	Lever-RH.....		
15	1			1136-0496-01	Arm-vä.....	Lever-LH.....		
16	2			1136-0089-01	Bricka.....	Washer.....		
17	2			9997-0816-16	Skruv.....	Screw.....		
18	2			1136-0079-01	Bussning.....	Bushing.....		
19	2			9739-0831-22	Mutter.....	Nut.....		
20	1			1136-0309-01	Bricka.....	Washer.....		
21	1			1136-0110-01	Stag.....	Rod.....		
22	2			1136-0009-01	Låsplatta.....	Lock plate.....		
23	2			1136-0214-01	Fjäder.....	Spring.....		
24	1			1136-1280-01	Stång.....	Rod.....		
25	1			1136-0009-01	Låsplatta.....	Lock plate.....		
26	1			1136-0047-01	Gaffel.....	Fork.....		
27	1			9799-0631-02	Mutter.....	Nut.....		
28	1			1136-0042-01	Låsbult.....	Clip bolt.....		
29	1			1136-0290-01	Remrulle.....	Belt roller.....		
30	1			1136-0161-01	Distans.....	Spacer.....		
31	1			9997-0835-12	Skruv.....	Screw.....		
32	1			9699-0056-02	Planbricka.....	Flat washer.....		
33	1			9747-0831-02	Mutter.....	Lock nut.....		
34	1			1136-0437-01	Sexkantsrem.....	Hexagon belt.....		
38	1			1136-0180-01	Remstyrning.....	Belt guide.....		
39	2			9847-8116-16	Skruv.....	Screw.....		
40	1			1136-0182-01	Remstyrning.....	Belt guide.....		
41	2			9847-8016-16	Skruv.....	Screw.....		
42	1			1136-0265-01	Pinnbult.....	Stud bolt.....		
43	1			9739-0831-22	Mutter.....	Nut.....		
44	1			9739-0831-22	Mutter.....	Nut.....		
45	1			1136-0130-01	Kåpa.....	Cover.....		
46	3			9699-0056-02	Planbricka.....	Flat washer.....		
48	2			9848-8013-16	Skruv.....	Screw.....		
49	1			1136-1235-01	Remstyrning.....	Belt guide.....		
50	1			9739-0831-22	Mutter.....	Nut.....		
52	1			9739-0631-22	Mutter.....	Nut.....		
53	1			1136-0131-01	Remkåpa.....	Belt cover.....		
54	2			9848-8013-16	Skruv.....	Screw.....		
71	1			1136-0537-01	Fäste.....	Support.....		
72	2			9997-0816-16	Skruv.....	Screw.....		
73	2			9739-0831-22	Mutter.....	Nut.....		
74	1			1136-0088-01	Bricka.....	Washer.....		
75	1			1136-0528-01	Spakhållare.....	Lever holder.....		
76	1			1136-0491-01	Inkopplingsspak.....	Engagement lever.....		
77	1			1136-0213-01	Fjäder.....	Spring.....		
78	1			9997-0880-16	Skruv.....	Screw.....		
80	1			1136-0080-01	Anslutningsgaffel.....	Connecting fork.....		
81	1			9997-0620-16	Skruv.....	Screw.....		
82	1			9747-0631-02	Låsmutter.....	Lock nut.....		
84	1			9712-0831-02	Låsmutter.....	Lock nut.....		
85	1			1136-0461-01	Kraftuttagswire.....	PTO-wire.....		
87	1			1136-0197-01	Handtag.....	Knob.....		



Utgåva Issue 2006-13		Bildnr Picture No 1221C		ESTATE SENATOR ESTATE PRESIDENT KLIPPAGGREGAT		ESTATE SENATOR ESTATE PRESIDENT MOWER DECK		Sida Page 124	
Pos. Fig.	Antal/Quantity			Art nr Part No	Benämning	Description	Sats Kit	Anmärkning Notes	
	2553	2556							
1	1			1136-1289-01	Klippaggregatskåpa	Mower deck casing		Inkl. pos 2 - 4	
2	2			1136-0120-01	• Vattenslangnippel	• Water hose connection.....			
3	2			1136-0068-01	• O-ring	• O-ring			
4	2			1136-0012-01	• Nit	• Rivet			
5	1			1136-0481-01	Lagerbox kpl.	Bearing box assy.		Inkl. pos 6 - 10	
6	1			1136-0099-01	• Knivaxel	• Blade shaft			
8	2			1136-0069-01	• Kullager	• Ball bearing			
9	1			1136-0176-01	• Dammskydd	• Dust cover			
10	1			9650-0020-04	• Spårring	• Circlip			
11	1			1136-0482-01	Lagerbox kpl.	Bearing box assy.		Inkl. pos 12 - 16	
12	1			1136-0100-01	• Knivaxel	• Blade shaft			
14	2			1136-0069-01	• Kullager	• Ball bearing			
15	1			1136-0176-01	• Dammskydd	• Dust cover			
16	1			9650-0020-04	• Spårring	• Circlip			
17	6			9898-0825-16	Skruv	Screw			
19	6			9739-0831-22	Mutter	Nut			
20	2			1136-0221-01	Knivfäste	Blade hub			
21	2			9600-0014-00	Kil	Key			
22	1			1136-1799-01	Kniv- hö	Blade- RH			
23	1			1136-1798-01	Kniv- vä	Blade- LH			
24	2			1136-0083-01	Fjäderbricka	Elastic washer			
25	2			1136-0015-01	Bricka	Washer			
26	1			9987-5238-12	Knivbult	Blade bolt			
27	1			1136-0018-01	Knivbult (vä- gängad)	Blade bolt (L thread)			
28	2			1136-1244-01	Remskiva	Belt pulley			
29	2			1136-0001-01	Kil	Key			
30	2			9997-0820-16	Skruv	Screw			
31	2			1136-0307-01	Bricka	Washer			
32	2			9683-0030-02	Låsbricka	Lock washer			
51	2			1136-0448-01	Stång	Equalizer rod			
52	4			9699-0035-02	Planbricka	Flat washer			
53	4			9747-1031-02	Låsmutter	Lock nut			
54	8			1136-0308-01	Bricka	Washer			
91	1			1136-0139-01	Utkaströr	Discharge chute			
92	1			1136-0177-01	Deflektor	Deflector			
93	6			9836-9618-12	Skruv	Screw			
94	2			1136-0245-01	Bult	Pin bolt			
95	2			1136-0005-01	Fyrkantmutter	Square nut			



Utgåva Issue		Bildnr Picture No		ESTATE SENATOR ESTATE PRESIDENT UPPSAMLARE (fast del)		ESTATE SENATOR ESTATE PRESIDENT GRASS CATCHER (fixed part)		Sida Page	
2006- 13		1222A						126	
Pos. Fig.	Antal/Quantity			Art nr Part No	Benämning	Description	Sats Kit	Anmärkning Notes	
	2553	2556							
1	1			1136-0547-01	Ram.....	Frame.....			
2	5			9997-0625-16	Skruv.....	Screw.....			
3	5			9747-0631-02	Låsmutter.....	Lock nut.....			
4	1			1136-0445-01	Tryckstång.....	Push rod.....			
5	1			1136-0216-01	Fjäder.....	Spring.....			
6	2			1136-0236-01	Tryckmutter.....	Push nut.....			
7	2			9799-0631-02	Mutter.....	Nut.....			
11	1			1136-1476-01	Fäste.....	Bracket.....			
12	1			1136-1474-01	Fäste.....	Bracket.....			
13	1			1136-1470-01	Sprint.....	Pin.....			
14	1			9739-0631-22	Mutter.....	Nut.....			
15	1			1136-0209-01	Fjäder.....	Spring.....			
16	1			1136-1465-01	Skruv.....	Screw.....			
20	2			1136-0334-01	Stöd.....	Support.....			
21	4			9997-0820-16	Skruv.....	Screw.....			
22	4			9747-0831-02	Mutter.....	Lock nut.....			
23	4			9699-0090-02	Planbricka.....	Flat washer.....			
31	1			1136-0280-01	Brytarskydd.....	Micro protection.....			
32	1			1136-0281-01	Skyddslock.....	Protection cover.....			
33	1			1136-0186-01	Brytararm.....	Switch lever.....			
34	1			1136-0007-01	Axel.....	Pin.....			
35	1			1136-0326-01	Fäste.....	Bracket.....			
36	3			9847-8013-16	Skruv.....	Screw.....			
37	2			9848-8013-16	Skruv.....	Screw.....			



Utgåva Issue		Bildnr Picture No		ESTATE SENATOR ESTATE PRESIDENT UPPSAMLARE (rörlig del)		ESTATE SENATOR ESTATE PRESIDENT GRASS CATCHER (mobile part)		Sida Page	
2006-13		1223A						128	
Pos. Fig.	Antal/Quantity			Art nr Part No	Benämning	Description	Sats Kit	Anmärkning Notes	
	2553	2556							
1	1			1136-0546-01	Ram- nedre	Frame- lower			
2	1			1136-0545-01	Ram- övre	Frame- upper			
3	1			1136-0473-01	Uppsamlingsäck	Grass bag			
4	1			1136-0104-01	Vinkelstöd- hö	Angle support- RH			
5	1			1136-0103-01	Vinkelstöd- vä	Angle support- LH			
6	1			1136-0523-01	Förstärkningsstag	Reinforcement rod			
7	1			1136-0355-01	Spak	Lever			
8	1			1136-0195-01	Handtag	Handle			
9	4			9847-8116-16	• Skruv	• Screw			
10	2			9997-0630-12	• Skruv	• Screw			
11	2			9997-0630-12	• Skruv	• Screw			
12	4			9683-0010-02	• Bricka	• Washer			
13	4			9799-0631-02	• Mutter	• Nut			
14	1			9997-0630-12	• Skruv	• Screw			
15	1			9747-0631-02	• Låsmutter	• Lock nut			
16	1			1136-0598-01	Skruvsats	Screw set		Inkl. pos 9 - 15	