

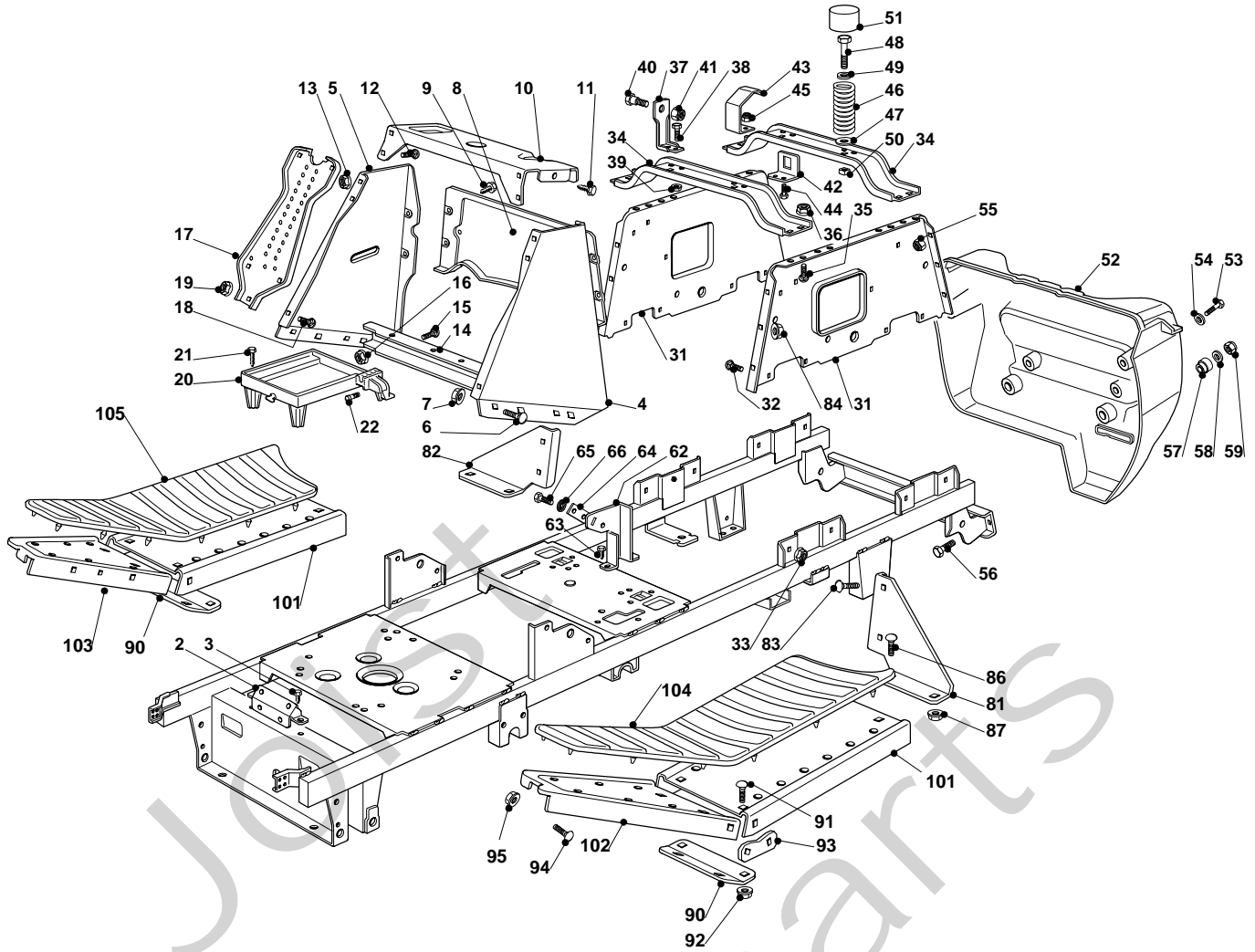
# Genuine Spare Parts

---

**ESTATE**

**TORNADO HST**



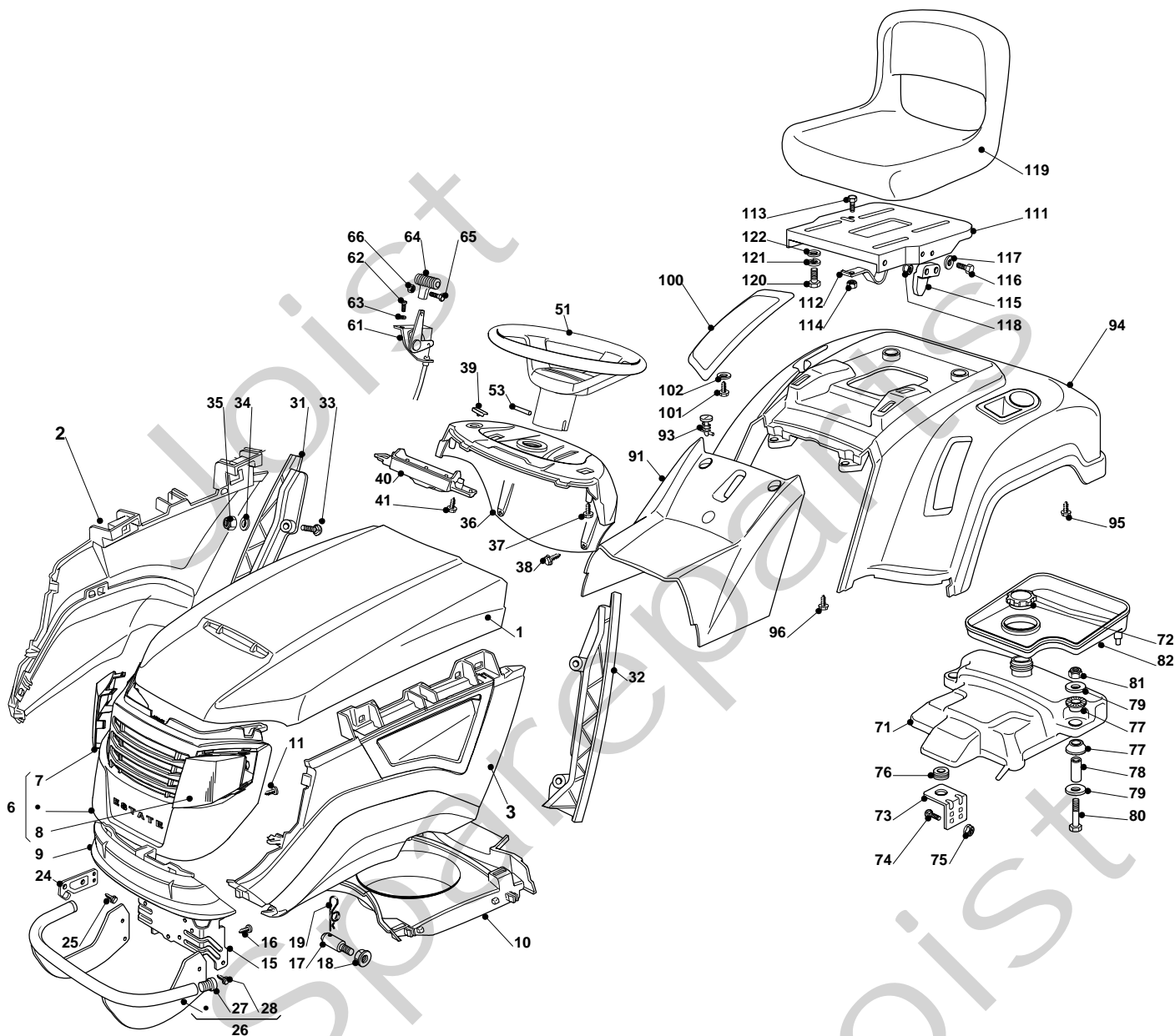


Pos. Fig.	Antal Quantity	Art No Part No	Benämning	Description	Anmärkning Notes
2	1	82774253/0	Klämma	Clamp	
3	4	12735121/0	Skruv	Screw	
4	1	325785243/1	Left Dashboard Supp.	Left Dashboard Supp.	
5	1	25785245/0	Right Dashboard Supp.	Right Dashboard Supp.	
6	4	12818690/0	Skruv	Screw	
7	4	12293201/0	Mutter	Nut	
8	1	382785151/1	Rear Dashboard Supp	Rear Dashboard Supp	
9	4	12735110/0	Skruv	Screw	
10	1	25785255/0	Central Dashboard Supp	Central Dashboard Supp	
11	2	12735110/0	Skruv	Screw	
12	4	12815200/0	Skruv	Screw	
13	4	12292102/0	Mutter	Nut	
14	1	25785241/0	Stöd	Support	
15	2	12815200/0	Skruv	Screw	
16	2	12292102/0	Mutter	Nut	
17	2	382785153/1	Front Dashboard Supp	Front Dashboard Supp	
18	2	12815200/0	Skruv	Screw	
19	2	12292102/0	Mutter	Nut	
20	1	325785279/1	Batteriplatta	Battery Support	
21	4	12760490/0	Skruv	Screw	
22	1	25510099/0	Sprint	Pin	
31	2	25785249/0	Seat Support	Seat Support	
32	8	12815200/0	Skruv	Screw	
33	8	12292102/0	Mutter	Nut	
34	2	25785257/0	Seat Support	Seat Support	
35	8	12818690/0	Skruv	Screw	
36	8	12293201/0	Mutter	Nut	
37	2	25755039/0	Fästvinkel	Bracket	
38	4	12792611/0	Skruv	Screw	
39	4	12293201/0	Mutter	Nut	
40	2	22524970/2	Sprint	Pin	



## ESTATE TORNADO HST - Model Year 2009

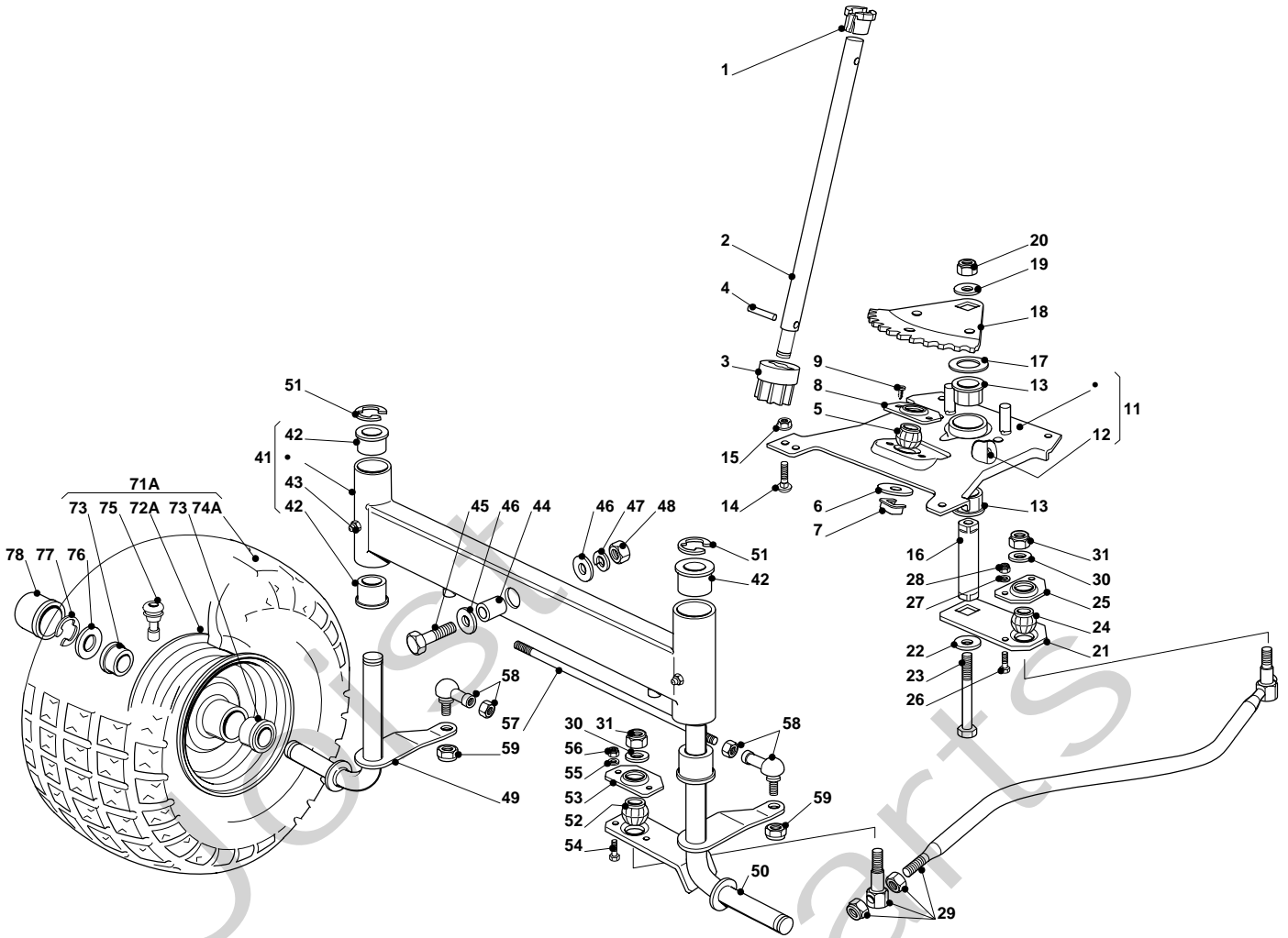
Pos. Fig.	Antal Quantity	Art No Part No	Benämning	Description	Anmärkning Notes
41	2	12155010/0	Mutter	Nut	
42	1	25755043/0	Fästvinkel	Bracket	
43	1	25430253/0	Fjäder	Spring	
44	2	12789000/0	Skruv	Screw	
45	2	12154330/0	Mutter	Nut	
46	2	25430257/0	Fjäder	Spring	
47	2	12523070/0	Bricka	Washer	
48	2	12760515/0	Skruv	Screw	
49	2	22671653/0	Bricka	Washer	
50	2	12360425/0	Mutter	Nut	
51	2	25122000/2	Styrning	Hood	
52	1	325547187/0	Mothill	Plate	
53	2	12793301/0	Skruv	Screw	
54	2	12521350/0	Bricka	Washer	
55	2	12155000/0	Mutter	Nut	
56	2	12819280/0	Skruv	Screw	
57	2	125160037/0	Distans	Spacer	
58	2	12521360/0	Bricka	Washer	
59	2	12156602/0	Mutter	Nut	
62	1	25785141/0	Stöd	Support	
63	2	12735110/0	Skruv	Screw	
64	1	27546019/0	Plåt	Plate (Hydro)	
65	2	12735602/0	Skruv	Screw (Hydro)	
66	2	12581100/0	Bricka	Washer (Hydro)	
81	1	25774371/0	Support	Support	
82	1	25774369/0	Support	Support	
83	4	12792611/0	Skruv	Screw	
84	4	12293201/0	Mutter	Nut	
86	4	12792611/0	Skruv	Screw	
87	4	12292201/0	Mutter	Nut	
90	2	325774375/1	Fäste	Clamp	
91	12	12815205/0	Skruv	Screw	
92	12	12293102/0	Mutter	Nut	
93	2	25774351/0	Klämma	Clamp	
94	4	12815200/0	Skruv	Screw	
95	4	12293102/0	Mutter	Nut	
101	2	25500029/0	Footboard Support	Footboard Support	
102	1	25500027/0	Left Footboard Support	Left Footboard Support	
103	1	25500025/0	Right Footboard Support	Right Footboard Support	
104	1	25110327/0	Left Footboard Cover	Left Footboard Cover	
105	1	25110326/0	Right Footboard Cover	Right Footboard Cover	





## ESTATE TORNADO HST - Model Year 2009

Pos. Fig.	Antal Quantity	Art No Part No	Benämning	Description	Anmärkning Notes
1	1	25076866/0	Upper Engine Hood, Yellow	Upper Engine Hood, Yellow	
2	1	382394611/0	Styrning	Hood, Right	
3	1	382394612/0	Styrning	Hood, Left	
4	1	82394610/0	Motorhuv	Grey Hood, Front	
5	1	25410876/0	Frontklåpa	Right Grill	
6	1	25410877/0	Frontklåpa	Left Grill	
7	1	25076865/0	Lower Grey Hood, Front	Lower Grey Hood, Front	
10	1	25108031/0	Inmatningstratt	Conveyor	
11	6	12735403/0	Skruv	Screw	
15	1	25774301/1	Motorhuv	Engine Hood Support	
16	5	12735403/0	Skruv	Screw	
17	2	25510079/0	Sprint	Pin	
18	2	12293201/0	Mutter	Nut	
19	2	24487998/0	Låsnål	Cotter Pin	
24	2	25547159/0	Plåt	Plate	
25	4	12731580/0	Skruv	Screw	
26	1	82869027/0	Ljuddämparskydd	Muffler Protection	
27	2	18737860/0	Plugg	Cap	
28	4	12734995/0	Skruv	Screw	
31	1	25599012/0	Right Dashboard Supp.	Right Dashboard Supp.	
33	4	12815221/0	Skruv	Screw	
34	4	12521330/0	Bricka	Washer	
35	4	12154510/0	Mutter	Nut	
36	1	325120188/1	Panel	Dashboard	
37	2	12728440/0	Skruv	Screw	
38	2	12735402/0	Skruv	Screw	
39	2	25260000/0	Hylsa	Grommet	
40	1	25600074/0	Skydd-röd	Card Protection	
41	2	12735402/0	Skruv	Screw	
51	1	25961209/0		Steering Wheel	
53	1	12620299/0	Stift	Pin	
61	1	82000200/1	Gasreglage	Accelerator	
62	2	12788512/0	Skruv	Screw	
63	2	12581200/0	Grower	Grower	
64	1	25394501/0	Handtag	Handle	
65	1	12726388/0	Skruv	Screw	
66	1	12290800/0	Mutter	Nut	
71	1	25735123/0	Tank	Tank	
72	1	25795001/1	Lock	Cap	
73	1	25785259/0	Stöd	Support	
74	2	12815200/0	Skruv	Screw	
75	2	12292102/0	Mutter	Nut	
76	1	18564522/0	Hylsa	Grommet	
77	4	12712001/0	Hylsa	Grommet	
78	2	25040625/0	Bussning	Bush	
79	4	12523070/0	Bricka	Washer	
80	2	12691400/0	Skruv	Right Screw	
81	2	12155000/0	Mutter	Nut	
82	1	25600073/0	Skydd	Guard	
91	1	25110325/0	Kåpa-gul	Cover, Yellow	
93	2	25580020/0	Axelförlängning	Pivot	
94	1	325110367/0	Kåpa	Wheels Cover, Yellow	
95	2	12735403/0	Skruv	Screw	
96	2	12735402/0	Skruv	Screw	
101	2	12735402/0	Skruv	Screw	
102	4	12523050/0	Bricka	Washer	
111	1	25547033/1	Mothill	Plate	
112	1	25430223/2	Fjäder	Spring	
113	1	12789000/0	Skruv	Screw	
114	1	12154330/0	Mutter	Nut	
115	1	27063021/1	Fäste	Cam	
116	2	12789100/0	Skruv	Screw	
117	2	12523020/0	Bricka	Washer	
118	2	12154330/0	Mutter	Nut	
119	1	25722456/0	Seat	Seat	
120	4	12793101/0	Skruv	Screw	
121	4	12583500/0	Låsbricka	Grower	
122	4	12523060/0	Bricka	Washer	

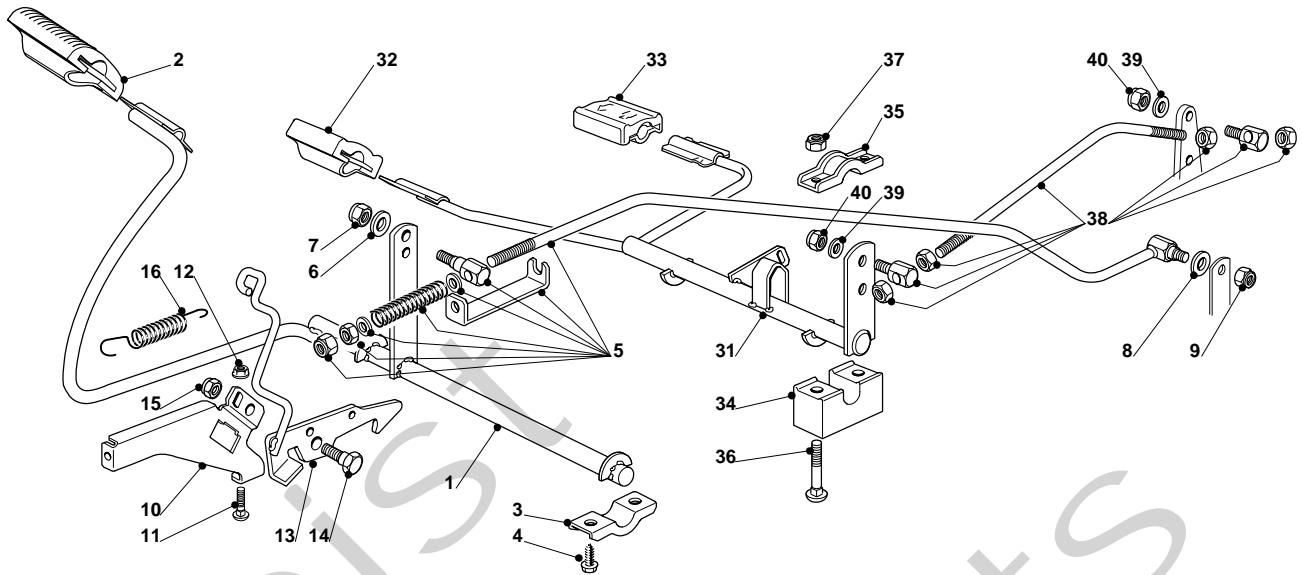


Pos. Fig.	Antal Quantity	Art No Part No	Benämning	Description	Anmärkning Notes
1	1	25038004/0	Bussning	Bush	
2	1	25520006/0	Steering Column	Steering Column	
3	1	27570050/0	Drev	Pinion	
4	1	12622650/0	Stift	Pin	
5	1	25743000/0	Ledklåpa, vä+hö	Joint	
6	1	12521370/0	Bricka	Washer	
7	1	12436030/0	Platta	Plate	
8	1	25785213/0	Stöd	Support	
9	2	12729601/1	Skruv	Screw	
11	1	82547045/0	Stöd	Support	
12	1	12379511/0	Smörjnippl	Grease Dispenser	
13	2	25040624/0	Bussning	Bush	
14	4	12815200/0	Skruv	Screw	
15	4	12292102/0	Mutter	Nut	
16	1	25510092/0	Sprint	Pin	
17	1	25670019/0	Bricka	Washer	
18	1	25735513/0	Sector	Steering Shaft	
19	1	12523080/0	Bricka	Washer	
20	1	12155020/0	Mutter	Nut	
21	1	25318205/0	Arm	Lever	
22	1	12523080/0	Bricka	Washer	
23	1	12794985/0	Skruv	Screw (Mod. 122)	
24	1	25743000/0	Ledklåpa, vä+hö	Joint	
25	1	25785213/0	Stöd	Support	
26	2	12791213/1	Skruv	Screw	
27	2	12521330/0	Bricka	Washer	
28	2	12154510/0	Mutter	Nut	
29	1	382000539/1	Vevstake	Steering Rod	
30	2	12523070/0	Bricka	Washer	
31	2	12155010/0	Mutter	Nut	
41	1	382034024/0	Equalizer With Bush And Lubricator	Equalizer With Bush And Lubricator	



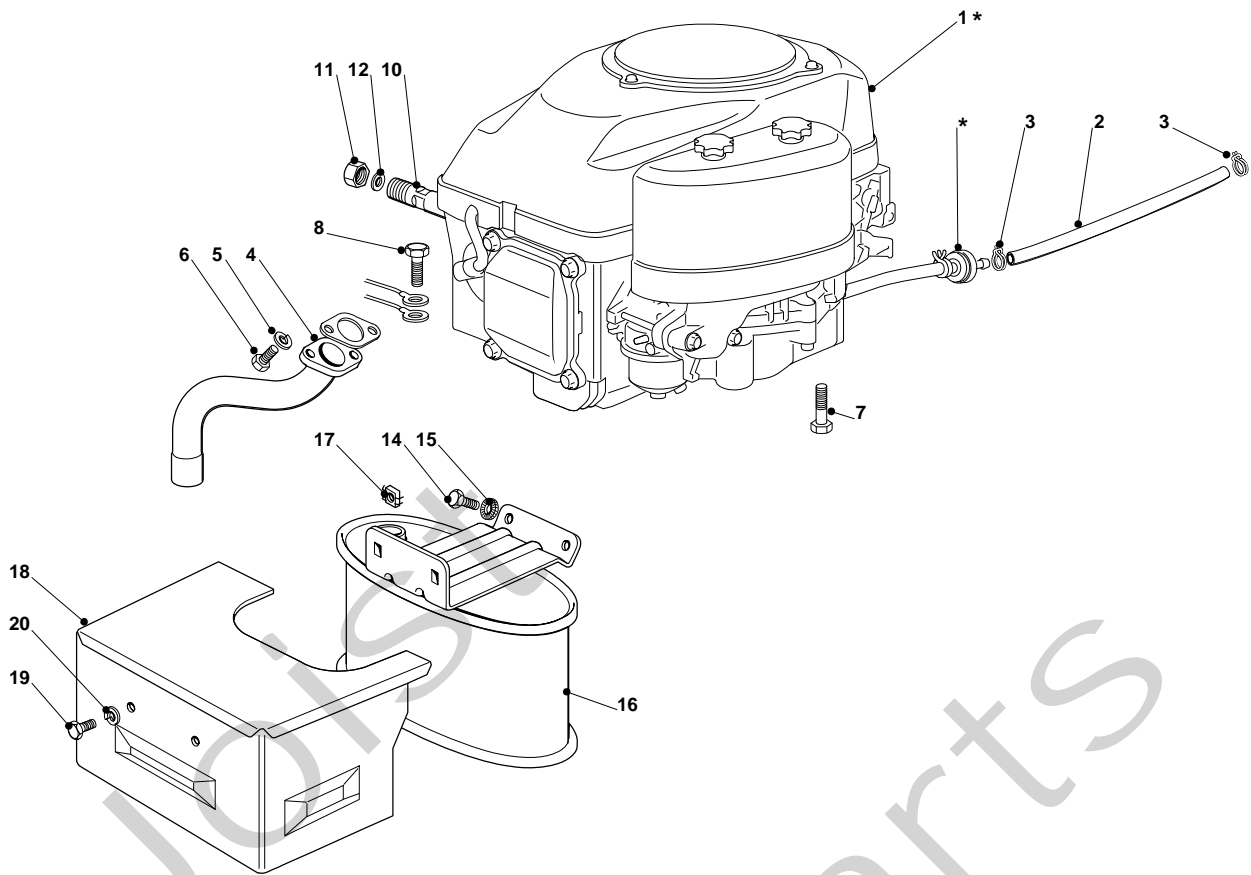
## ESTATE TORNADO HST - Model Year 2009

Pos. Fig.	Antal Quantity	Art No Part No	Benämning	Description	Anmärkning Notes
42	4	25034002/1	Bussning	Brass	
43	2	12379511/0	Smörjnippel	Grease Dispenser	
44	1	25160016/0	Distans	Spacer	
45	1	12692695/0	Skruv	Screw	
46	2	12523100/0	Bricka	Washer	
47	1	12587100/0	Grower	Grower	
48	1	12295300/0	Mutter	Nut	
49	1	82230363/0	Right Stub Axle	Right Stub Axle	
50	1	82230365/0	Left Stub Axle	Left Stub Axle	
51	2	12001000/0	Låsring	Snap Ring	
52	1	25743000/0	Ledklåpa, vä+hö	Joint	
53	1	25785213/0	Stöd	Support	
54	2	12791213/1	Skruv	Screw	
55	2	12521330/0	Bricka	Washer	
56	2	12154510/0	Mutter	Nut	
57	1	125840023/0	Gasreglagelänk	Tie Rod	
58	2	22746600/0	Ledklåpa, vä+hö	Joint	
59	2	12156602/0	Mutter	Nut	
71A	2	82680012/1	Framhjul Kpl	Front Wheel Starco	
72A	2	82000595/0	Rimm	Rimm	
73	4	25122200/2	Lager	Bearing	
74A	2	25590005/0		Shoe Kenda	
75	2	25950000/0	Ventil	Valve	
76	2	25670005/1	Bricka	Washer	
77	2	12001000/0	Låsring	Snap Ring	
78	2	22110230/0	Lock	Cap	

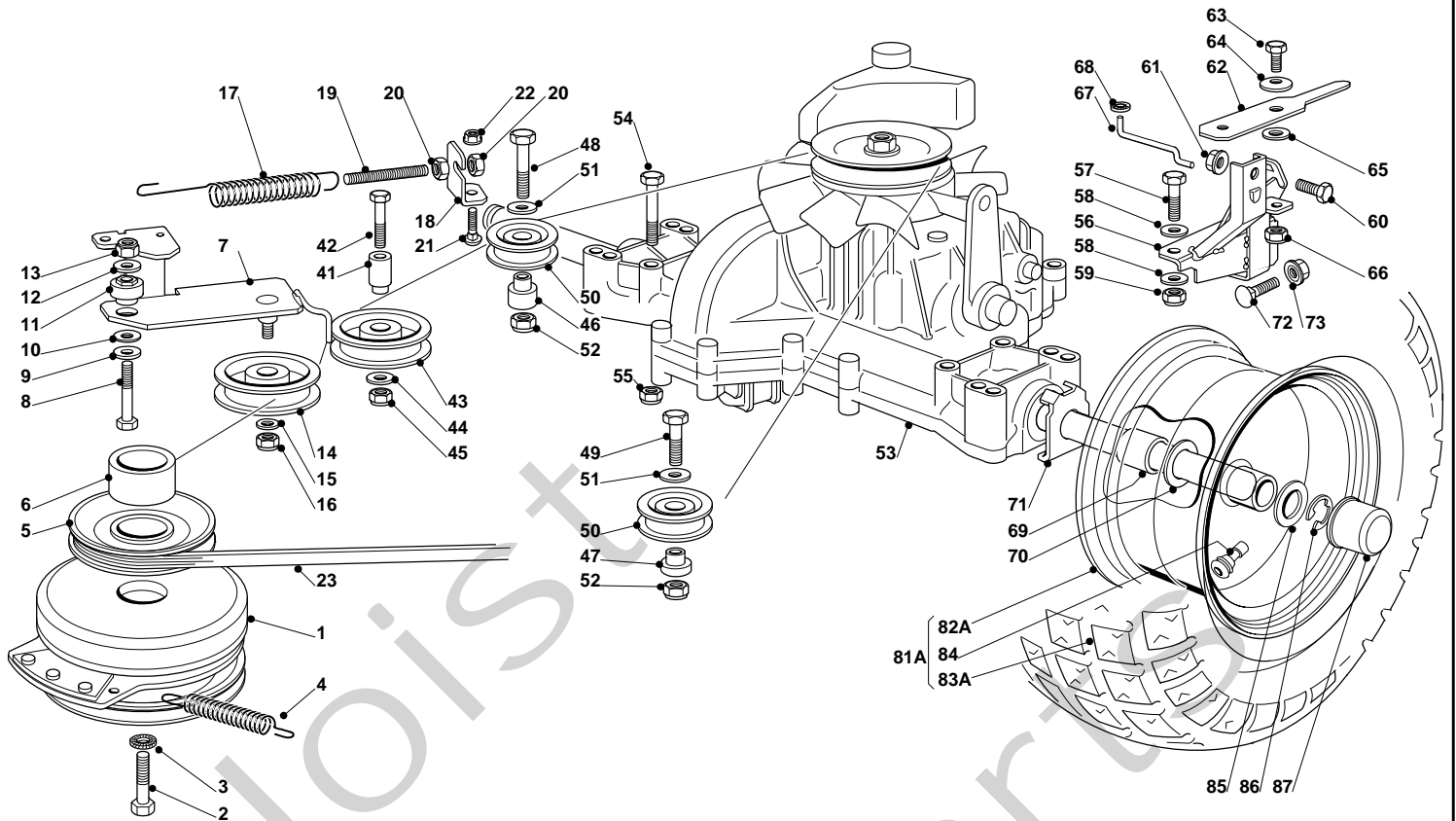


Pos. Fig.	Antal Quantity	Art No Part No	Benämning	Description	Anmärkning Notes
1	1	82500029/1	Pedal	Pedal	
2	1	25110267/0	Clamp Cover	Clamp Cover	
3	2	27546015/1	Pått	Plate	
4	4	12729601/1	Skruv	Screw	
5	1	82000542/0	Länk	Rod	
6	1	12521350/0	Bricka	Washer	
7	1	12155000/0	Mutter	Nut	
8	1	12521350/0	Bricka	Washer	
9	1	12155000/0	Mutter	Nut	
10	1	25785261/0	Stöd	Support	
11	2	12815200/0	Skruv	Screw	
12	2	12292102/0	Mutter	Nut	
13	1	82000531/0	Länk	Rod	
14	1	22524970/2	Sprint	Pin	
15	1	12155000/0	Mutter	Nut	
16	1	25430213/0	Fjäder	Spring	
31	1	82000383/0	Drivaxel	Drive Pedal	
32	1	25110274/0	Clamp Cover Front	Clamp Cover Front	
33	1	25110331/0	Clamp Cover Rear	Clamp Cover Rear	
34	2	25785185/0	Stöd	Support	
36	4	12815245/0	Skruv	Screw	
36	2	27546015/1	Pått	Plate	
37	4	12154510/0	Mutter	Nut	
38	1	82000543/0	Länk	Rod	
39	2	12523040/0	Bricka	Washer	
40	2	12154510/0	Mutter	Nut	





Pos. Fig.	Antal Quantity	Art No Part No	Benämning	Description	Anmärkning Notes
1Q	1	—	Motor kpl	Engine	
2	1	25869057/0	Vevstake	Connecting Tube (1000 Mm)	
3	4	18375051/1	Slangklämma	Fair Led	
4	1	118738231/0	Avgasrör	Exhaust Tube	
5	2	12583500/0	Låsbricka	Grower	
6	2	12737450/0	Skruv	Screw	
7	4	112735108/1	Skruv	Screw	
8	1	12735599/0	Skruv	Screw	
10	1	27598060/0	Oil Discharge Extension	Oil Discharge Extension	
11	1	18737849/0	Lock	Oil Cap	
12	1	18401001/1	Tätningring	Oil Seal	
14	2	12793102/0	Skruv	Screw	
15	2	12540260/0	Bricka	Grower	
16	1	82750004/0	Ljuddämpare	Muffler	
17	2	12360425/0	Mutter	Nut	
18	1	382598039/0	Skydd	Guard	
19	2	12792611/0	Skruv	Screw	
20	2	12583500/0	Låsbricka	Grower	

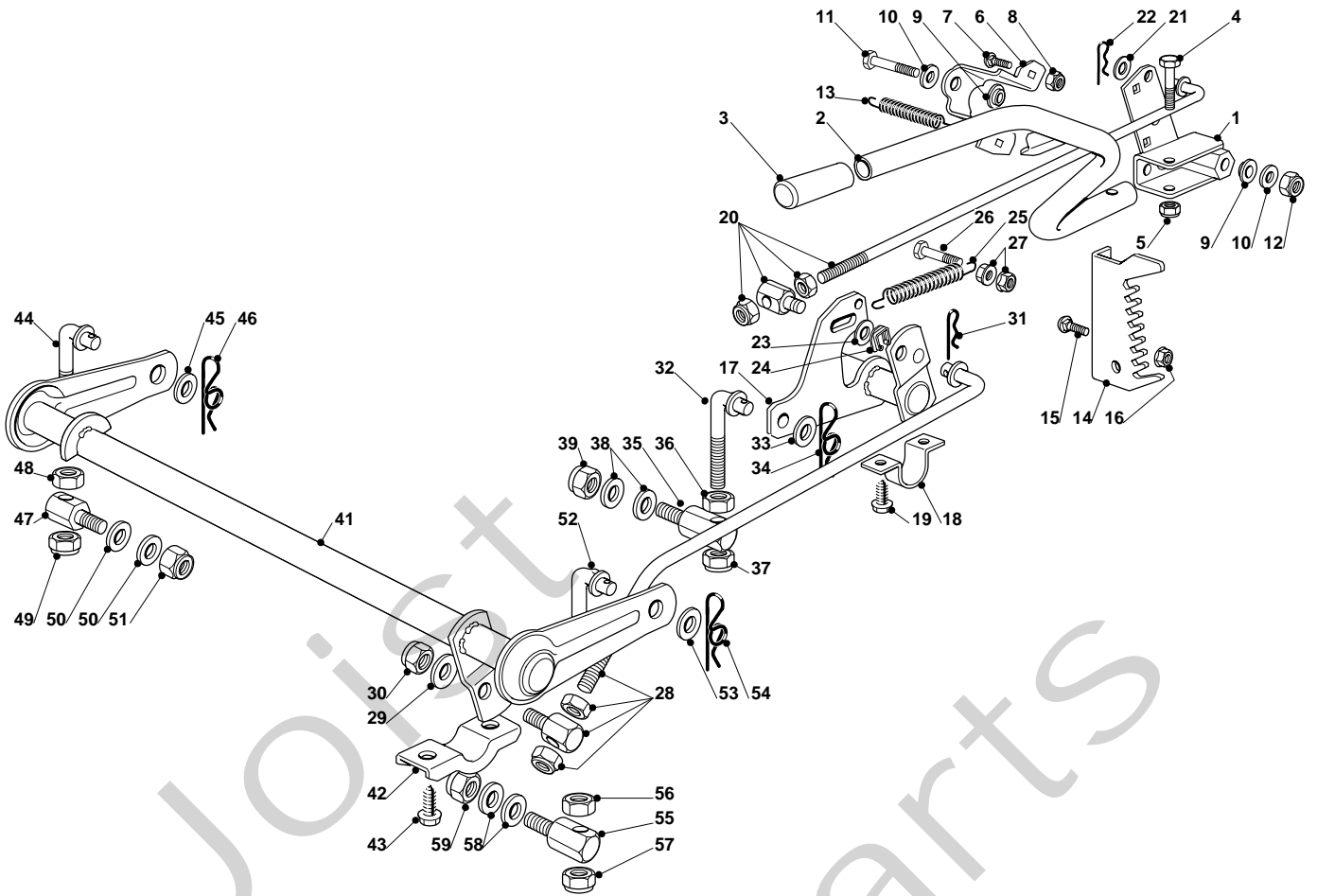


Pos. Fig.	Antal Quantity	Art No Part No	Benämning	Description	Anmärkning Notes
1	1	118399063/0	Koppling	Clutch	
2	1	12737320/0	Skruv	Screw	
3	1	12543000/0	Bricka	Washer	
4	1	22430216/0	Fjäder	Spring	
5	1	25601566/0	Remskiva	Pulley	
6	1	25160021/0	Distans	Spacer	
7	1	82318217/0	Arm	Lever	
8	1	12691115/0	Skruv	Screw	
9	1	12523060/0	Bricka	Washer	
10	1	27670055/0	Bricka	Washer	
11	1	25510087/0	Sprint	Pin	
12	1	12523060/0	Bricka	Washer	
13	1	12155000/0	Mutter	Nut	
14	1	25601554/0	Remskiva	Pulley	
15	1	12523060/0	Bricka	Washer	
16	1	12155000/0	Mutter	Nut	
17	1	25430260/0	Fjäder	Spring	
18	1	25755049/0	Fästvinkel	Bracket	
19	1	25840005/0	Stång	Tie Rod	
20	2	12293200/0	Mutter	Nut	
21	1	12818690/0	Skruv	Screw	
22	1	12293201/0	Mutter	Nut	
23	1	35062001/0	Drivrem	Belt	
41	1	125510100/0	Sprint	Pin	
42	1	12691800/0	Skruv	Screw	
43	1	25601555/0	Remskiva	Pulley	
44	1	12523060/0	Bricka	Washer	
45	1	12155000/0	Mutter	Nut	
46	1	125160024/2	Distans	Spacer	
47	1	125160030/1	Distans	Spacer	
48	1	12691400/0	Skruv	Right Screw	



## ESTATE TORNADO HST - Model Year 2009

Pos. Fig.	Antal Quantity	Art No Part No	Benämning	Description	Anmärkning Notes
49	1	12691115/0	Skruv	Screw	
50	2	125601588/0	Remskiva	Pulley	
51	2	22671653/0	Bricka	Washer	
52	2	12155000/0	Mutter	Nut	
53	1	18400960/0	Rear Axle Tuff Torq K46S	Rear Axle Tuff Torq K46S	
54	4	12691800/0	Skruv	Screw	
55	4	12154210/0	Mutter	Nut	
56	1	82785149/0	Stöd	Support	
57	1	12691200/0	Skruv	Screw	
58	2	12521350/0	Bricka	Washer	
59	1	12155000/0	Mutter	Nut	
60	1	12792611/0	Skruv	Screw	
61	1	12293201/0	Mutter	Nut	
62	1	25318157/0	Arm	Lever	
63	1	12793102/0	Skruv	Screw	
64	1	12369500/0	Bricka	Washer	
65	1	25670011/0	Bricka	Washer	
66	1	12155000/0	Mutter	Nut	
67	1	25033033/0	Länk	Rod	
68	1	12604896/0	Låsbricka	Snap Ring	
69	2	25160031/0	Distans	Spacer	
70	24	12521410/0	Bricka	Washer	
71	2	325670025/0	Bricka	Washer	
72	1	12792611/0	Skruv	Screw	
73	1	12293201/0	Mutter	Nut	
81A	2	82680013/1	Stödhjul	Rear Wheel Starco	
82A	2	82000596/0	Rimm	Rimm	
83A	2	25590006/0		Shoe Kenda	
84	2	25950000/0	Ventil	Valve	
85	2	25670005/1	Bricka	Washer	
86	2	12001010/0	Låsring	Snap Ring	
87	2	22110230/0	Lock	Cap	

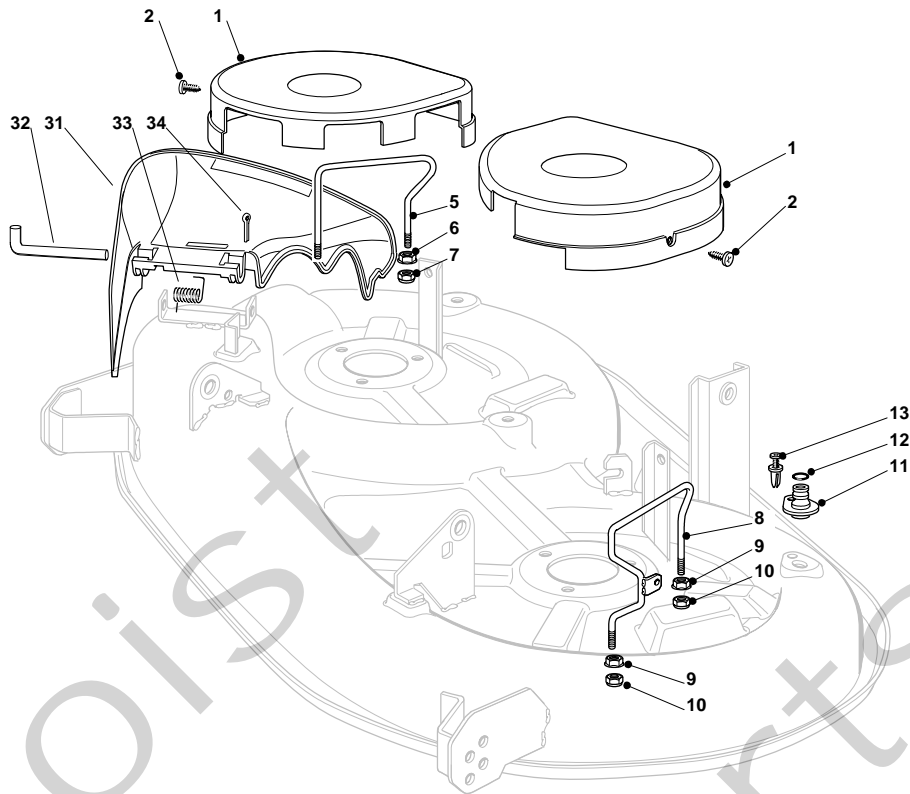


Pos. Fig.	Antal Quantity	Art No Part No	Benämning	Description	Anmärkning Notes
1	1	82774249/0	Klämma	Clamp	
2	1	82318219/0	Arm	Lever	
3	1	25394508/0	Handtag	Handle	
4	1	12674700/0	Skruv	Screw	
5	1	12154510/0	Mutter	Nut	
6	1	25650113/0	Plåt	Plate	
7	2	12818690/0	Skruv	Screw	
8	2	12155000/0	Mutter	Nut	
9	2	22041980/0	Distans	Spacer	
10	2	12523060/0	Bricka	Washer	
11	1	12691600/0	Skruv	Screw	
12	1	12155000/0	Mutter	Nut	
13	1	25430259/0	Fjäder	Spring	
14	1	25735511/0	Sector	Sector	
15	2	12818690/0	Skruv	Screw	
16	2	12293201/0	Mutter	Nut	
17	1	82000387/0	Axel	Axle	
18	2	25547041/0	Plåt	Plate	
19	4	12731601/0	Skruv	Screw	
20	1	82000536/0	Länk	Rod	
21	1	25670011/0	Bricka	Washer	
22	1	24487998/0	Låsnål	Cotter Pin	
23	1	25670008/1	Bricka	Washer	
24	1	12436050/0	Låsplatta	Plate	
25	1	22446402/0	Fjäder	Spring	
26	1	12792410/0	Skruv	Screw	
27	2	12292102/0	Mutter	Nut	
28	1	82000537/0	Vevstake	Connecting Rod	
29	2	25670008/1	Bricka	Washer	
30	1	12156602/0	Mutter	Nut	
31	1	24487998/0	Låsnål	Cotter Pin	

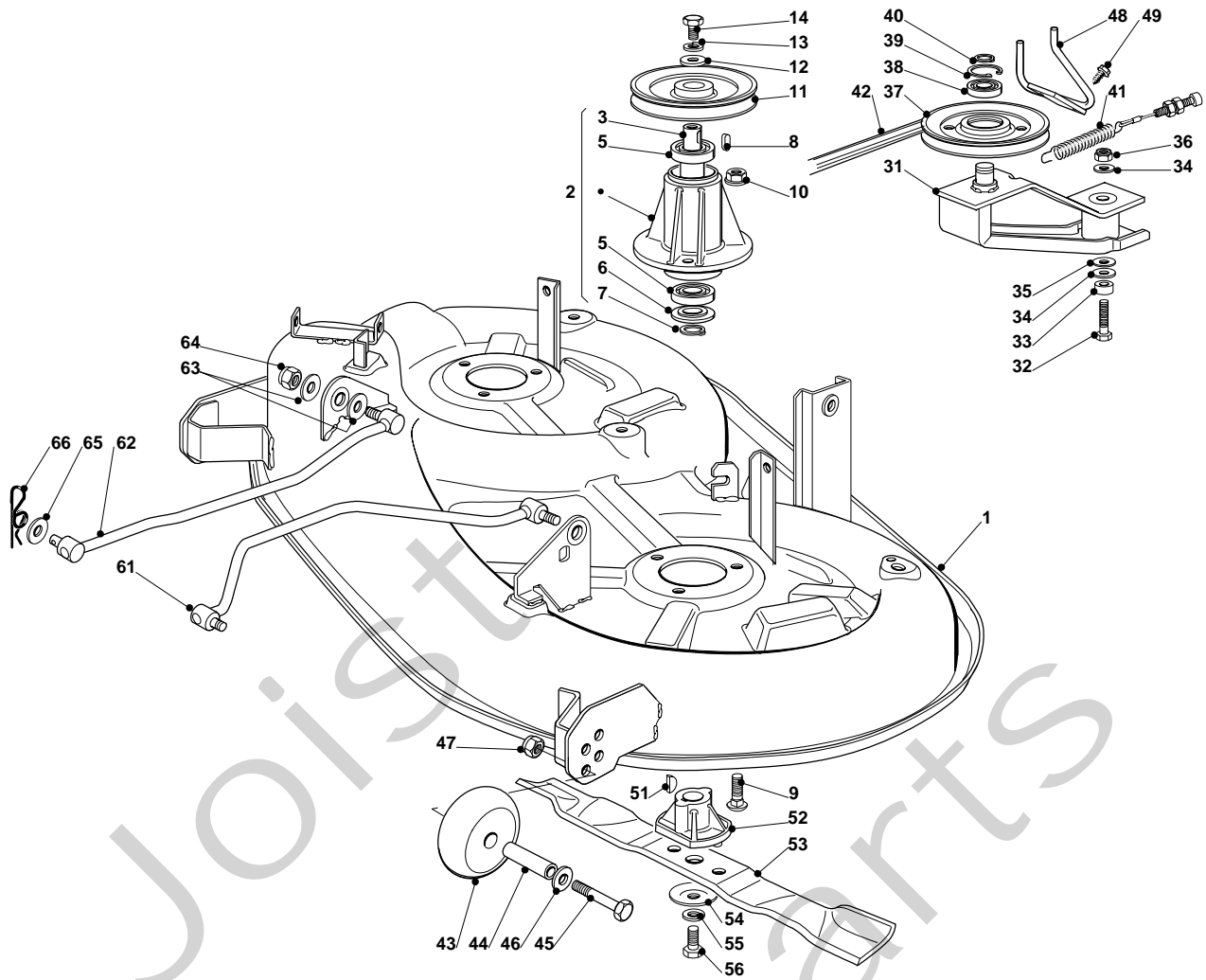


## ESTATE TORNADO HST - Model Year 2009

Pos. Fig.	Antal Quantity	Art No Part No	Benämning	Description	Anmärkning Notes
32	1	25840025/0	Stång	Tie Rod	
33	1	25670008/1	Bricka	Washer	
34	1	24487998/0	Låsnål	Cotter Pin	
35	1	25510090/0	Sprint	Pin	
36	1	12295200/0	Mutter	Nut	
37	1	12156602/0	Mutter	Nut	
38	2	25670008/1	Bricka	Washer	
39	1	12156602/0	Mutter	Nut	
41	1	82000385/0	Axel	Axle	
42	2	27546015/1	Plåt	Plate	
43	4	12731350/0	Skruv	Screw	
44	1	25840024/0	Stång	Tie Rod	
45	1	25670008/1	Bricka	Washer	
46	1	24487998/0	Låsnål	Cotter Pin	
47	1	25510098/0	Sprint	Pin	
48	1	12295200/0	Mutter	Nut	
49	1	12156602/0	Mutter	Nut	
50	2	25670008/1	Bricka	Washer	
51	1	12156602/0	Mutter	Nut	
52	1	25840025/0	Stång	Tie Rod	
53	1	25670008/1	Bricka	Washer	
54	1	24487998/0	Låsnål	Cotter Pin	
55	1	25510090/0	Sprint	Pin	
56	1	12295200/0	Mutter	Nut	
57	1	12156602/0	Mutter	Nut	
58	2	25670008/1	Bricka	Washer	
59	1	12156602/0	Mutter	Nut	



Pos. Fig.	Antal Quantity	Art No Part No	Benämning	Description	Anmärkning Notes
1	2	25060106/0	Hus	Case	
1	2	25060117/0	Hus	Case	
2	4	12735110/0	Skruv	Screw	
5	1	25270313/0	Remstyrning	Belt Guide	
6	2	12293201/0	Mutter	Nut	
7	2	12155000/0	Mutter	Nut	
8	1	125270327/0	Remstyrning	Belt Guide	
9	2	12293201/0	Mutter	Nut	
10	2	12155000/0	Mutter	Nut	
11	2	25033060/0	Water Hose Connection	Water Hose Connection	
12	2	19035000/0	O-ring	Or Ring	
13	2	12500030/0	Rivet	Rivet	
31	1	25600056/0	Exit Protection	Exit Protection	
32	1	25510073/0	Sprint	Pin	
33	1	25430242/0	Fjäder	Spring	
34	1	12141418/0	Låsnål	Cotter Pin	



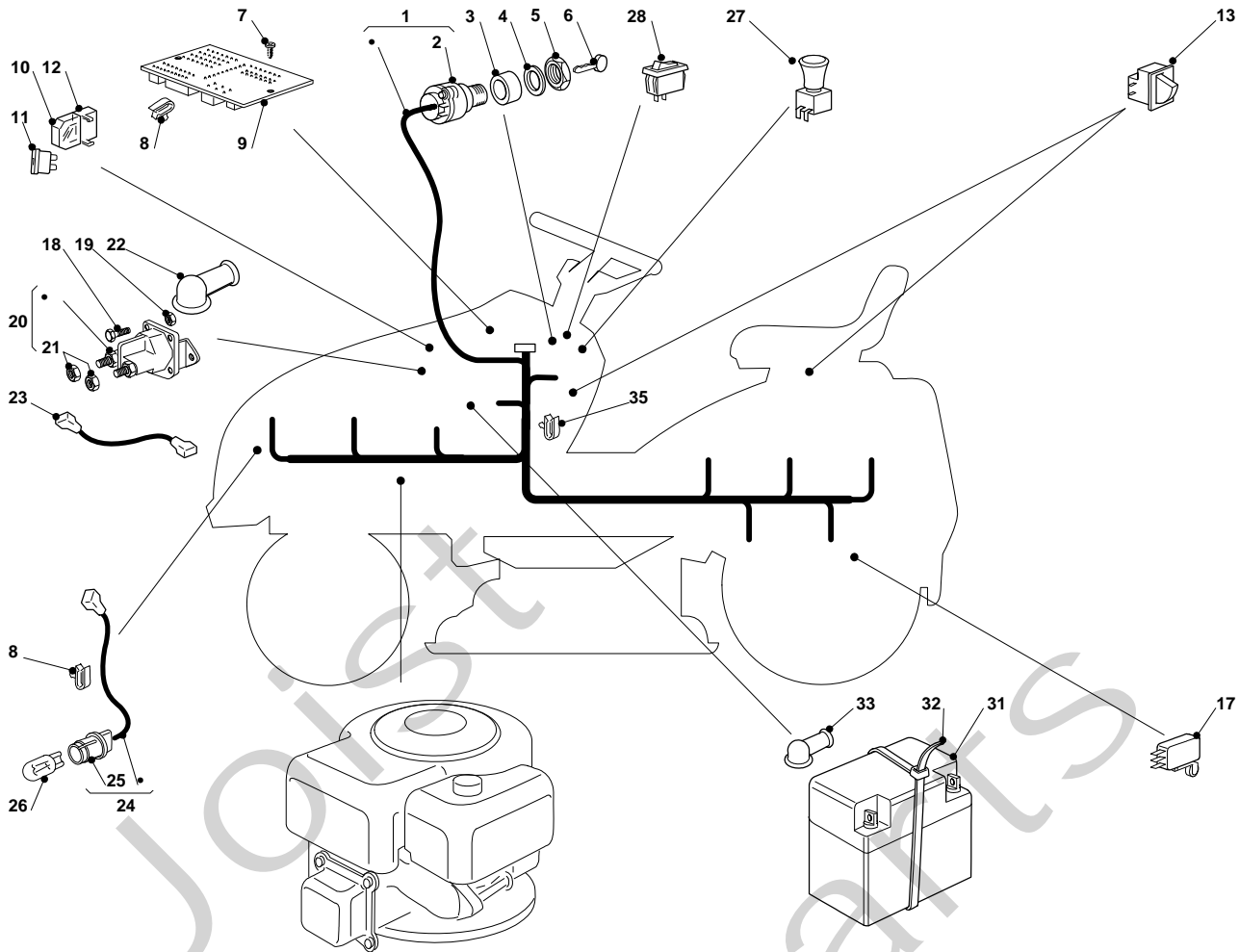
Pos. Fig.	Antal Quantity	Art No Part No	Benämning	Description	Anmärkning Notes
1	1	382564083/0	Plate	Plate	
2	2	82207202/0	Fläns	Flange Ass.Y (6÷10)	
3	2	25020802/0	Axel	Shaft	
4	4	19216032/0	Kullager	Bearing	
5	2	25160501/0	Dammskydd	Dust Cover	
6	2	12609260/0	Seegerring	Seeger	
7	2	12609260/0	Seegerring	Seeger	
8	2	12139480/0	Kil	Key	
9	6	12818700/0	Skruv	Screw	
10	6	12154210/0	Mutter	Nut	
11	2	25601571/0	Remskiva	Pulley	
12	2	25670007/0	Bricka	Washer	
13	2	12583500/0	Låsbricka	Grower	
14	2	12793102/0	Skruv	Screw	
31	1	82318141/2	Arm	Lever	
32	1	12691900/0	Skruv	Screw	
33	1	12516004/0	Bricka	Washer	
34	2	12523070/0	Bricka	Washer	
35	1	22672152/0	Bricka	Washer	
36	1	12155000/0	Mutter	Nut	
37	1	125601587/0	Remskiva	Pulley	
38	1	19216033/1	Kullager	Bearing	
39	1	12610800/0	Seegerring	Seeger	
40	1	12609200/0	Seegerring	Seeger	
41	1	382004619/0	Kabel	Wire	
42	1	35061503/0	Drivrem	Belt	
43	2	82700002/0	Stödhjul	Anti Scalp Wheel D.80	
44	2	25510072/0	Distans	Spacer	
45	2	12692050/0	Skruv	Screw	
46	2	12523060/0	Bricka	Washer	
47	2	12293201/0	Mutter	Nut	
48	1	125270311/1	Remstyrning	Belt Guide	



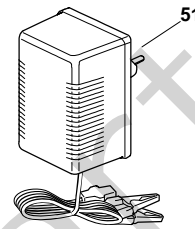
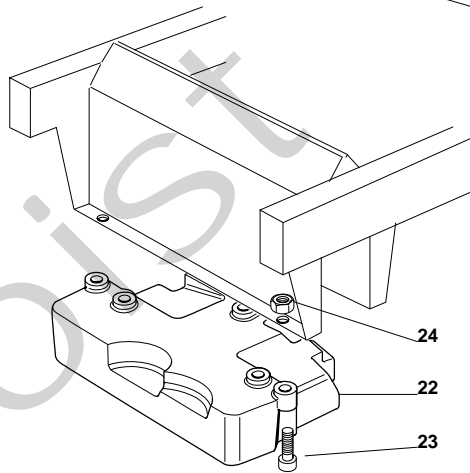
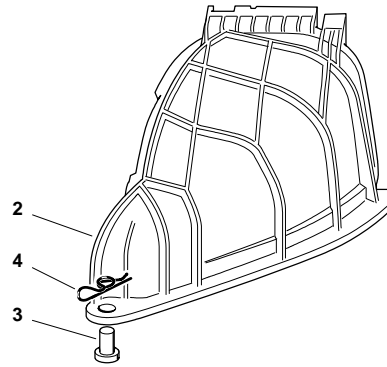
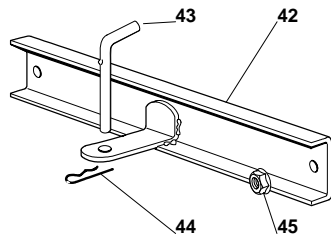
## ESTATE TORNADO HST - Model Year 2009

Pos. Fig.	Antal Quantity	Art No Part No	Benämning	Description	Anmärkning Notes
49	2	12729601/1	Skruv	Screw	
51	2	12139100/0	Kil	Key	
52	2	25463200/0	Knivfäste	Blade Hub	
53	2	82004346/0	Kniv	Right Blade Mulching	
54	2	22160400/0	Bricka	Elastic Washer	
55	2	12523080/0	Bricka	Washer	
56	2	12735694/0	Skruv	Screw	
61	1	82000535/0	Equalizer Rod	Equalizer Rod	
62	1	82000533/0	Equalizer Rod	Equalizer Rod	
63	4	25670008/1	Bricka	Washer	
64	2	12156602/0	Mutter	Nut	
65	2	25670008/1	Bricka	Washer	
66	2	24487998/0	Lisnli	Cotter Pin	

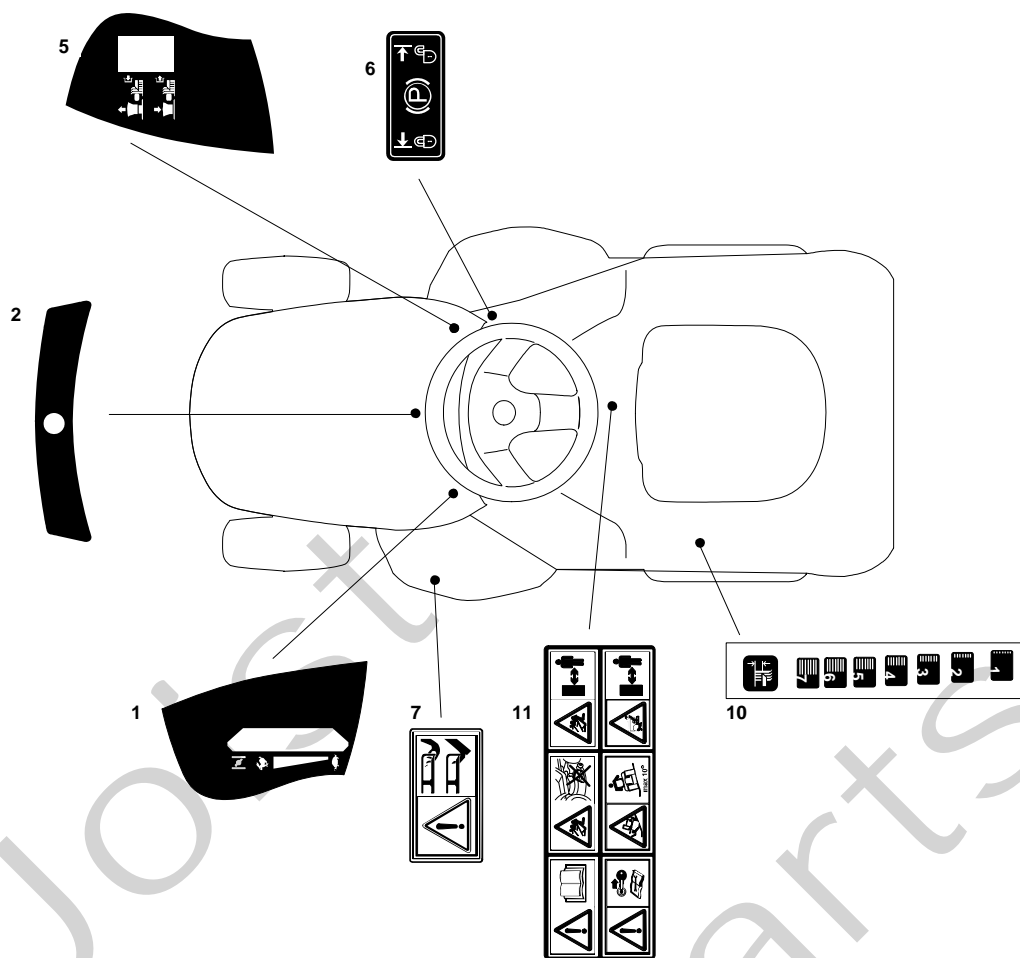




Pos. Fig.	Antal Quantity	Art No Part No	Benämning	Description	Anmärkning Notes
1	1	182040145/0	Kabel	Cables Ass.Y	
2	1	18450072/0	Brytare	Starting Switch	
3	1	18550136/0	Distans	Spacer	
4	1	18550135/0	Bricka	Washer	
5	1	18400862/0	Ringmutter	Ringnut	
6	1	18210022/0	Starting Key	Starting Key	
7	3	12727810/0	Skruv	Screw	
8	2	33320506/0	Kabelhållare	Fairled	
9	1	125722432/0	Electronic Card	Electronic Card	
10	2	33215000/0	Kåpa	Cover	
11	1	33340036/0	Säkring	Fuse 25 A	
11	1	33340040/0	Säkring	Fuse 10 A	
12	2	33500007/0	Säkring	Fuse Carrier	
13	2	19410606/0	Micro	Micro	
14	1	19410605/1	Brytare	Full Grasscat. Microsw.	
17	1	19410609/0	Neutral Switch (Hydro)	Neutral Switch (Hydro)	
18	2	12791213/1	Skruv	Screw	
19	2	12292102/0	Mutter	Nut	
20	1	18736110/0	Starter Relay	Starter Relay	
21	2	12360352/0	Mutter	Nut	
22	1	18564864/1	Tätningshylsa	Protection	
23	1	25065017/0	Kabel	Cable	
24	1	82040073/0	Kabel	Cable	
25	2	33500030/0	Lamp Holder	Lamp Holder	
26	2	18459100/0	Farilamp For Lights	Farilamp For Lights	
27	1	18450068/0	Kopplingshus	Clutch Switch	
28	1	18450060/1	Farilamp Switch	Farilamp Switch	
31	1	18120002/1	Batteri	Battery	
32	1	133320028/0	Slangklämma	Fair Led	
33	1	18564861/1	Tätningshylsa	Protection	
35	9	33320506/0	Kabelhållare	Fairled	

**ESTATE TORNADO HST - Model Year 2009**


Pos. Fig.	Antal Quantity	Art No Part No	Benämning	Description	Anmärkning Notes
2	1	25190092/0	Deflektor	Deflector	
3	1	25510022/0	Sprint	Pin	
4	1	24487998/0	Lísníl	Cotter Pin	
22	1	25519997/1	Weight	Weight	
23	3	12760520/0	Skruv	Screw	
24	3	12155000/0	Mutter	Nut	
42	1	382033109/0	Stíng	Rod	
43	1	25510021/1	Sprint	Pin	
44	1	24487999/0	Lísníl	Cotter Pin	
45	2	12156602/0	Mutter	Nut	
51	1	82180050/0	Batteriladdare	Battery Charger	
51	1	82180052/0	Batteriladdare	Battery Charger (U.K.)	



Pos. Fig.	Antal Quantity	Art No Part No	Benämning	Description	Anmärkning Notes
1	1	14361440/0	Dekal	Label	
2	1	25420019/0	Dekal	Label	
5	1	14361439/0	Dekal	Label	
6	1	14361452/0	Dekal	Label	
7	1	114356699/1	Dekal	Label	
10	1	14361441/0	Dekal	Label	
11	1	114362365/0	Dekal	Label	